

# Install parts



**A**

x32(+2)



**B**

x32(+2)



**C**

x20(+2)



4x35mm

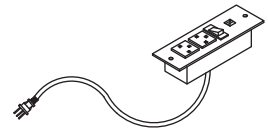
**D**

x16



**E**

x4



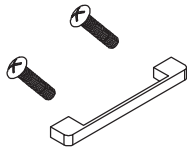
**F**

x1



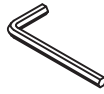
**G**

x37(+2)



**H**

x3



M3

**I**

x1



**J**

x4



**K**

x1



**L**

x1



**M**

x12



**N**

x1



3.5x12mm

**O**

x2



**P**

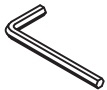
x2



4x30mm

**Q**

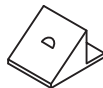
x16



M4

**R**

x1



**S**

x8



Ø3x16mm

**T**

x8



**CL**

x3



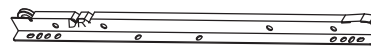
**CR**

x3



**DL**

x3

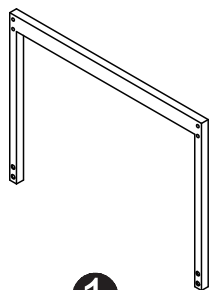


**DR**

x3

Please place all the boards in the order shown in the picture below,  
The installation will be easy and smooth.

## Mounting frame



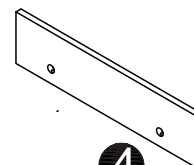
1  
x1



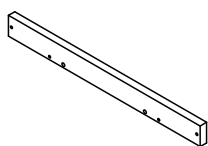
2  
x1



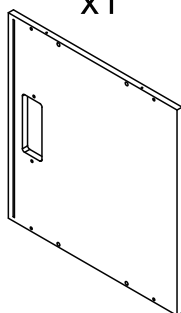
3  
x1



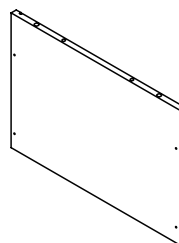
4  
x1



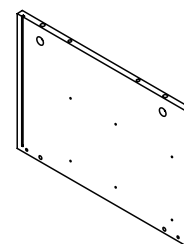
5  
x1



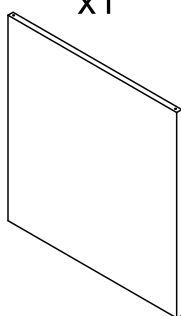
6  
x1



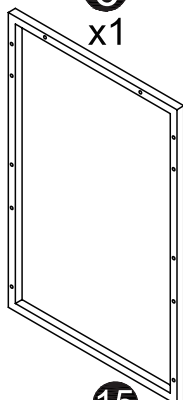
7  
x1



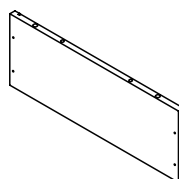
8  
x1



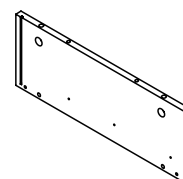
14  
x1



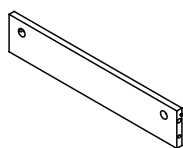
15  
x2



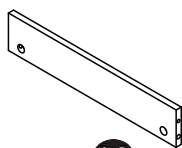
16  
x1



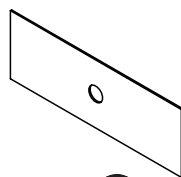
17  
x1



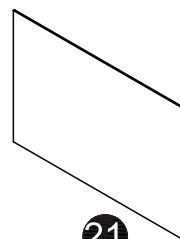
18  
x1



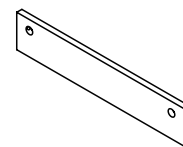
19  
x2



20  
x1

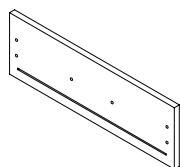


21  
x1

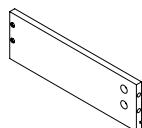


22  
x1

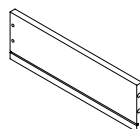
## Drawer



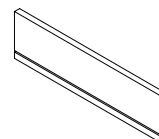
9  
x3



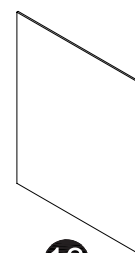
10  
x3



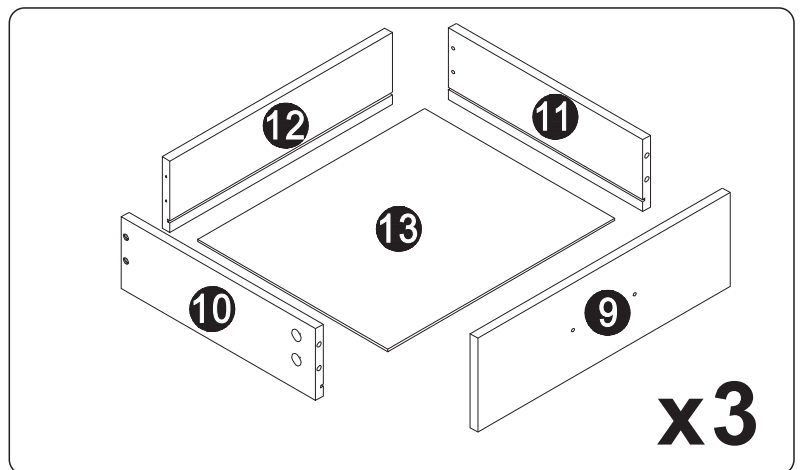
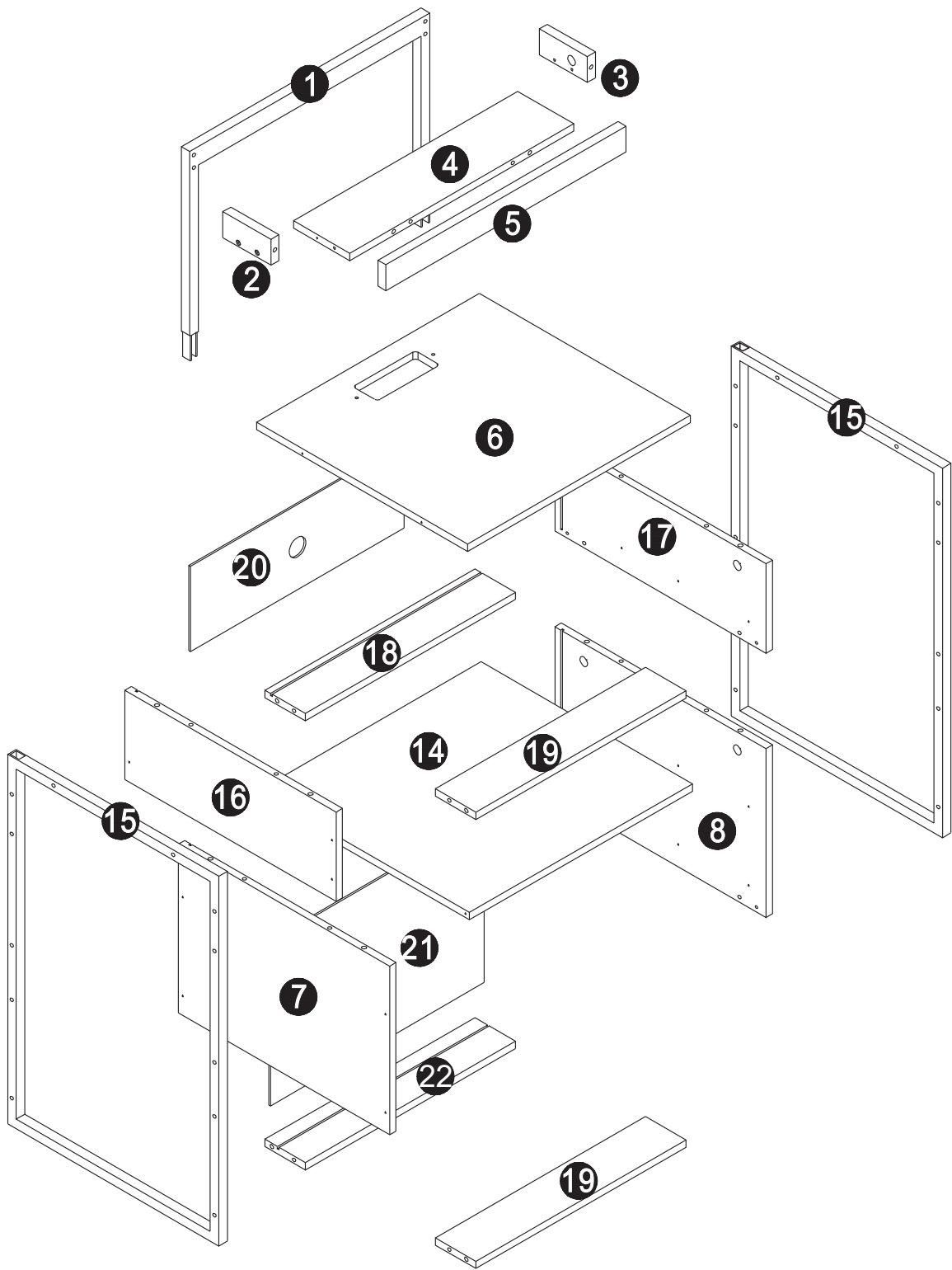
11  
x3

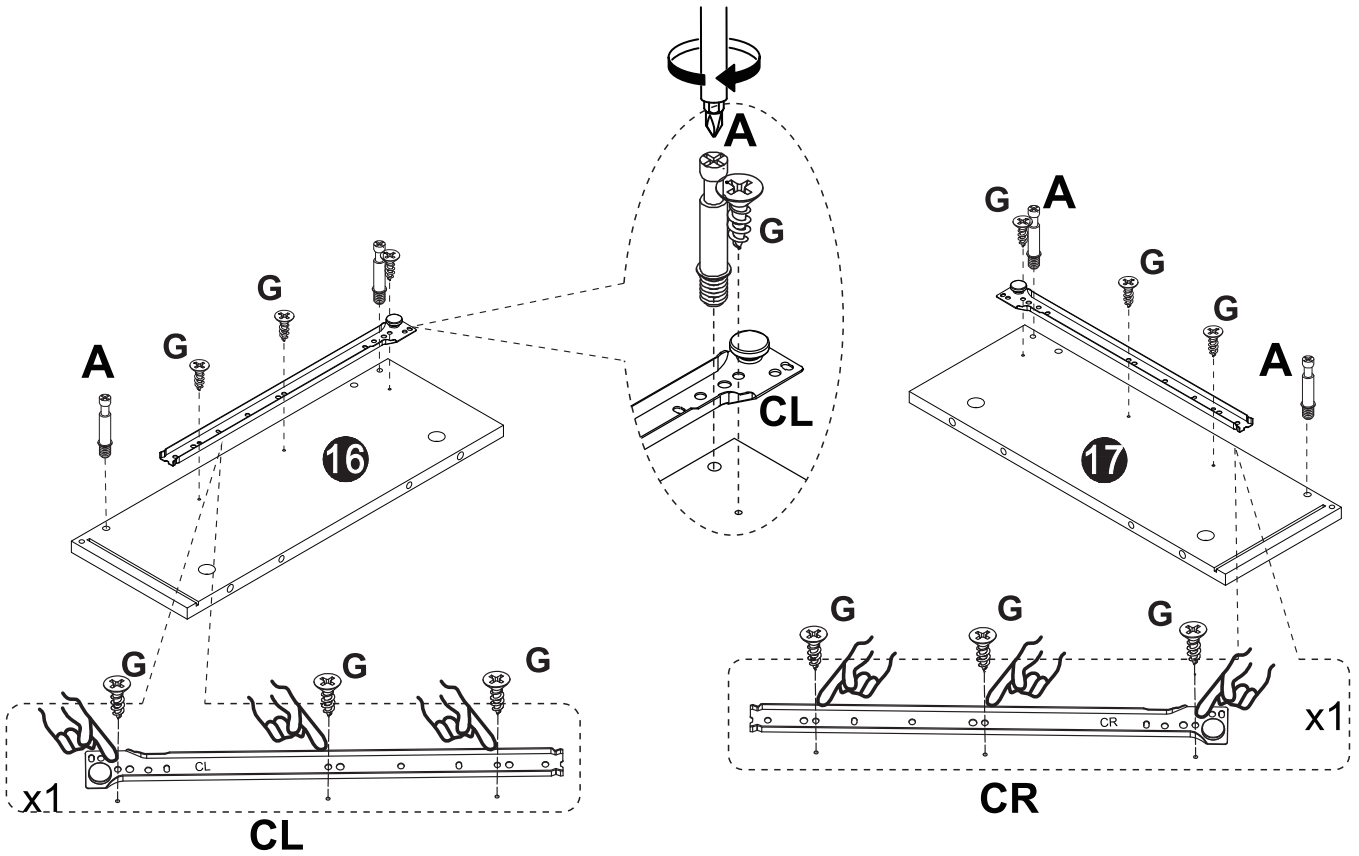
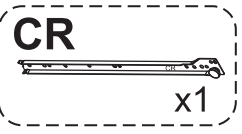
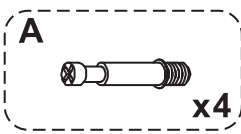
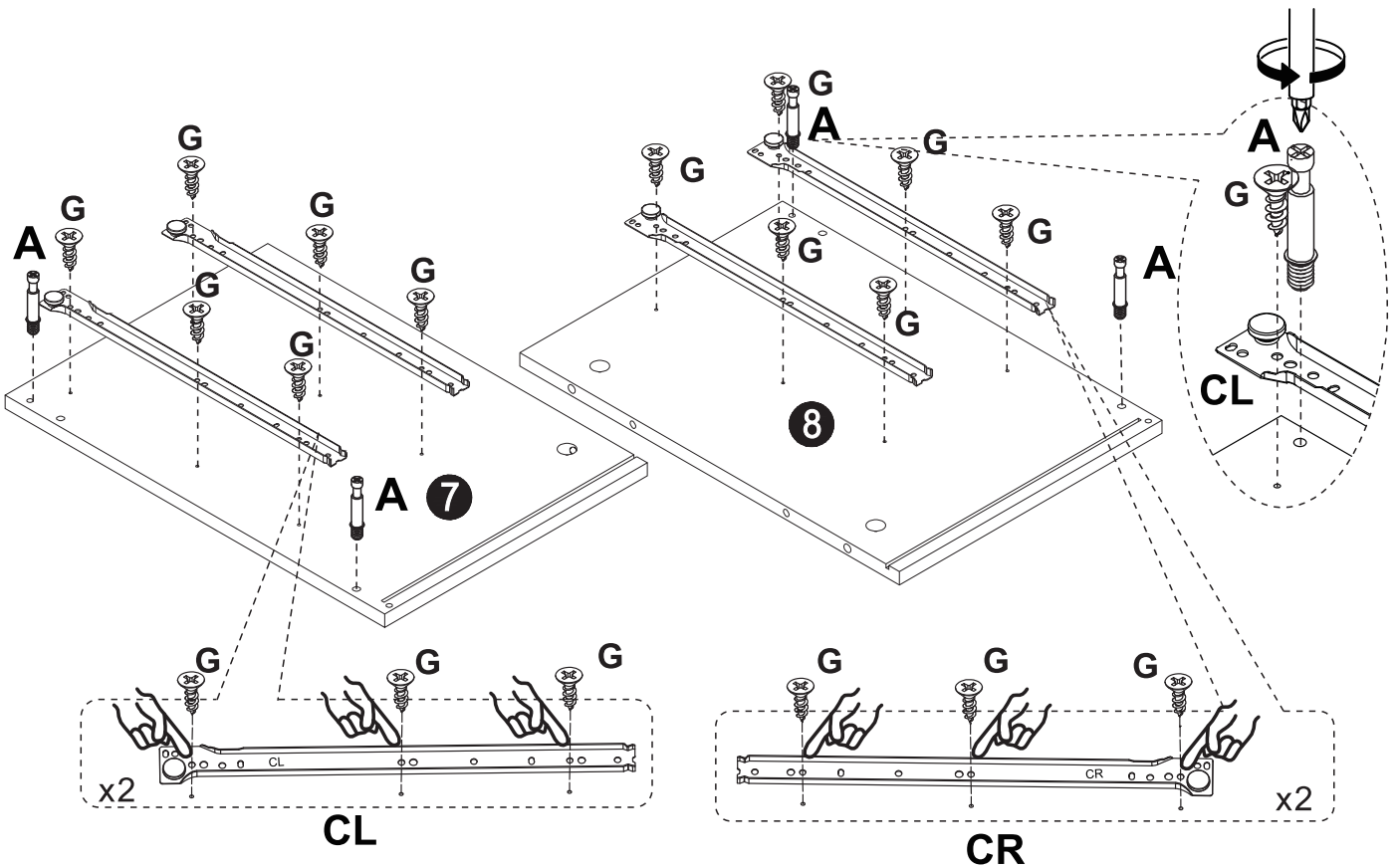
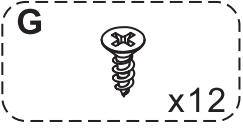
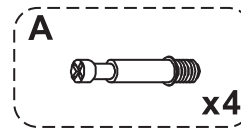


12  
x3

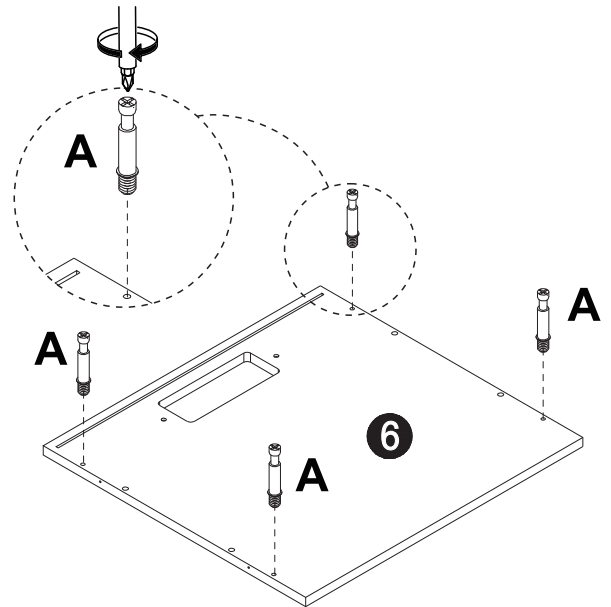
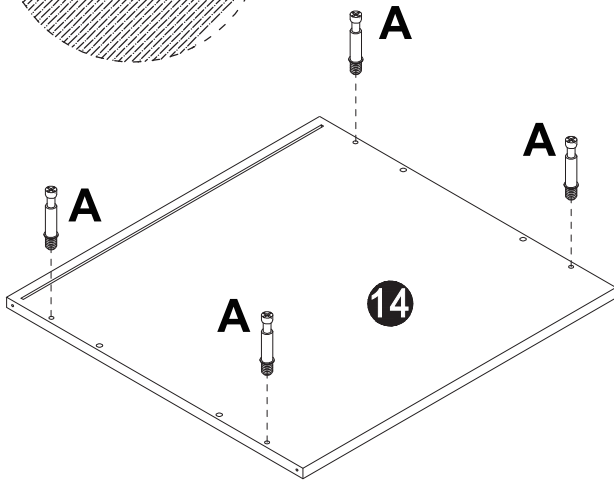
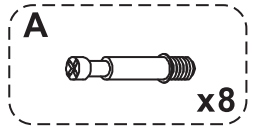
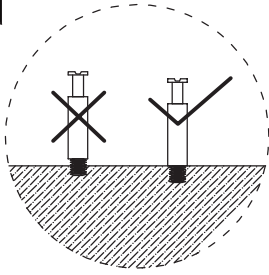


13  
x3

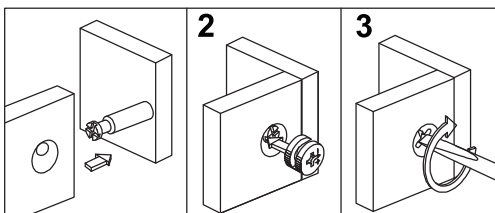
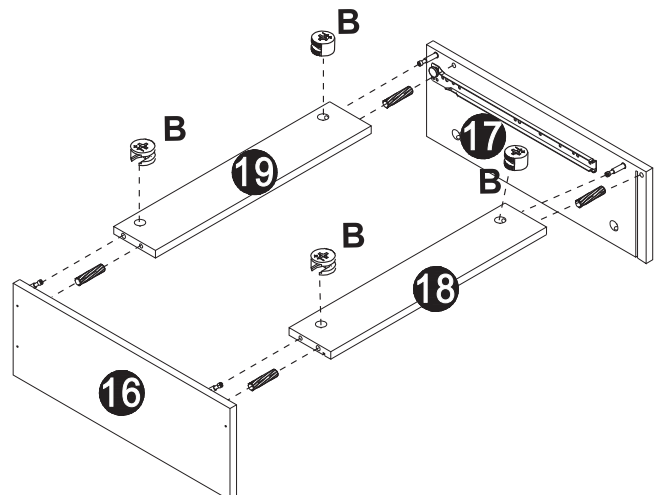
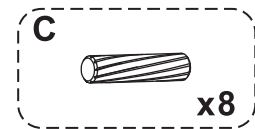
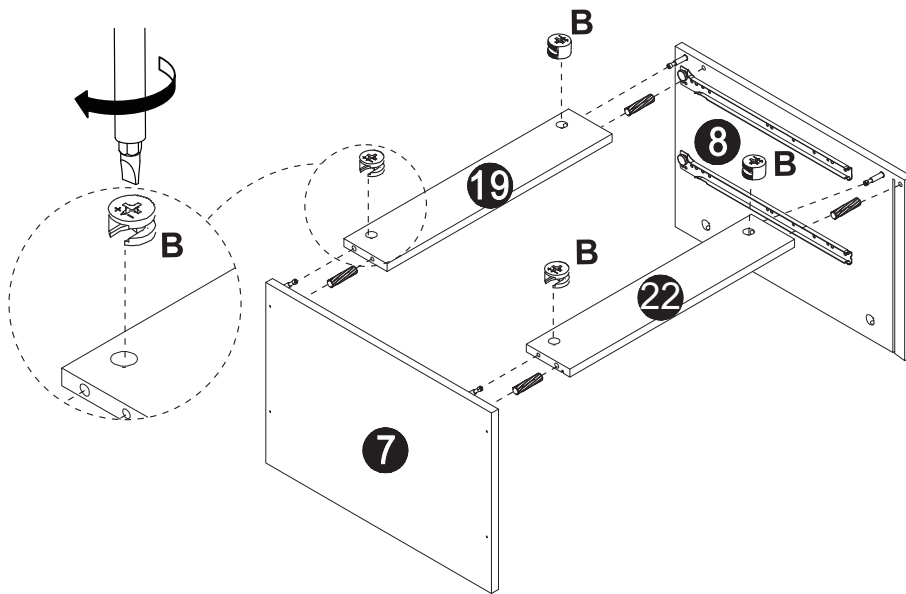


**1****2**

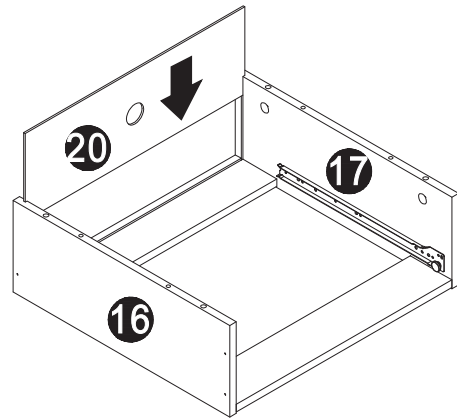
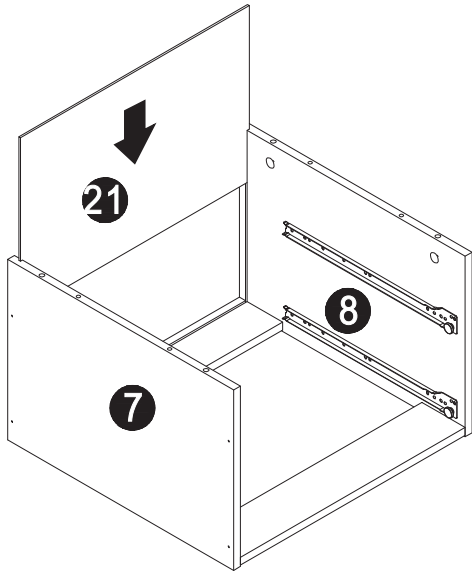
3



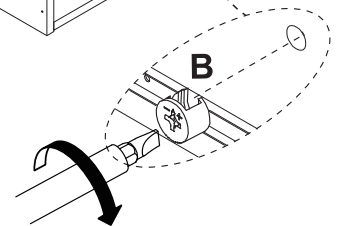
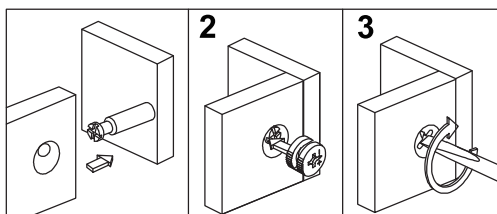
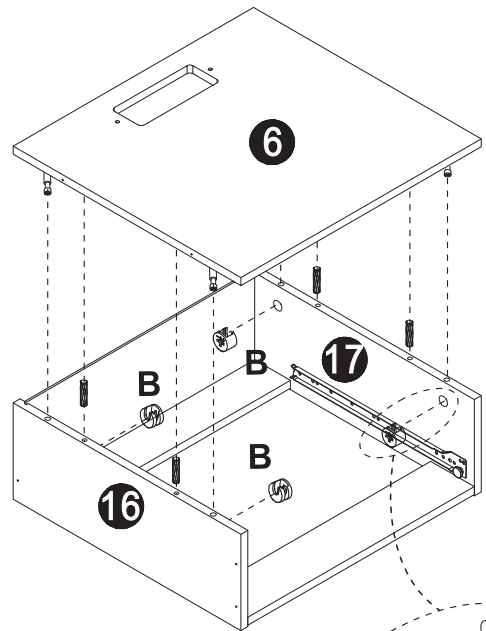
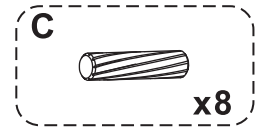
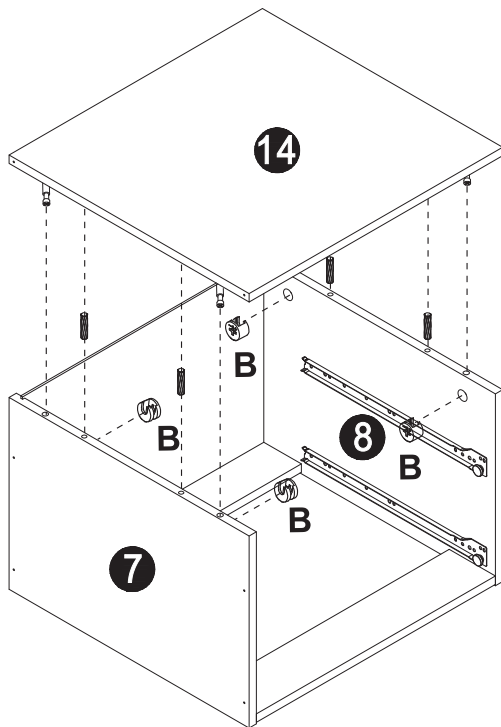
4



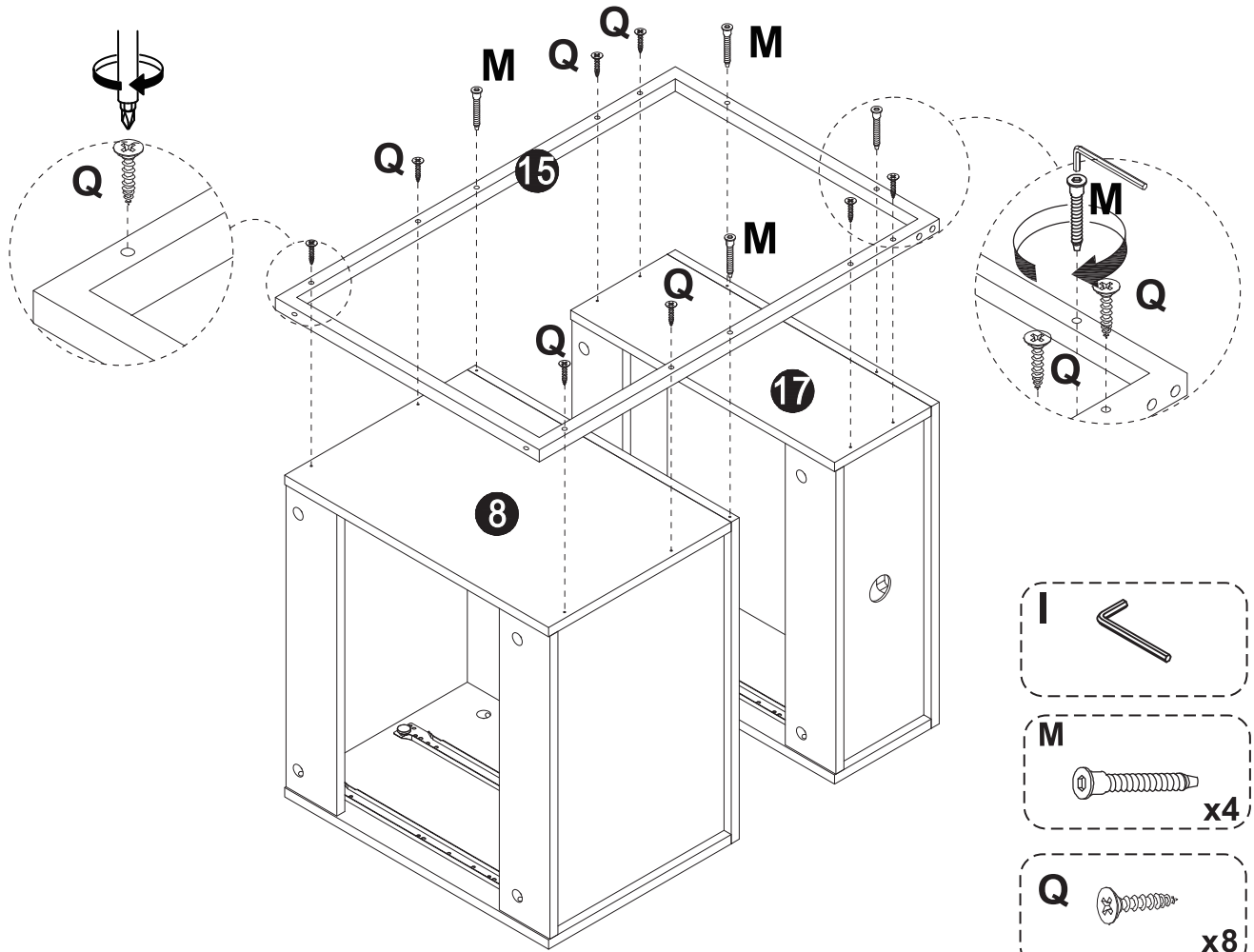
5



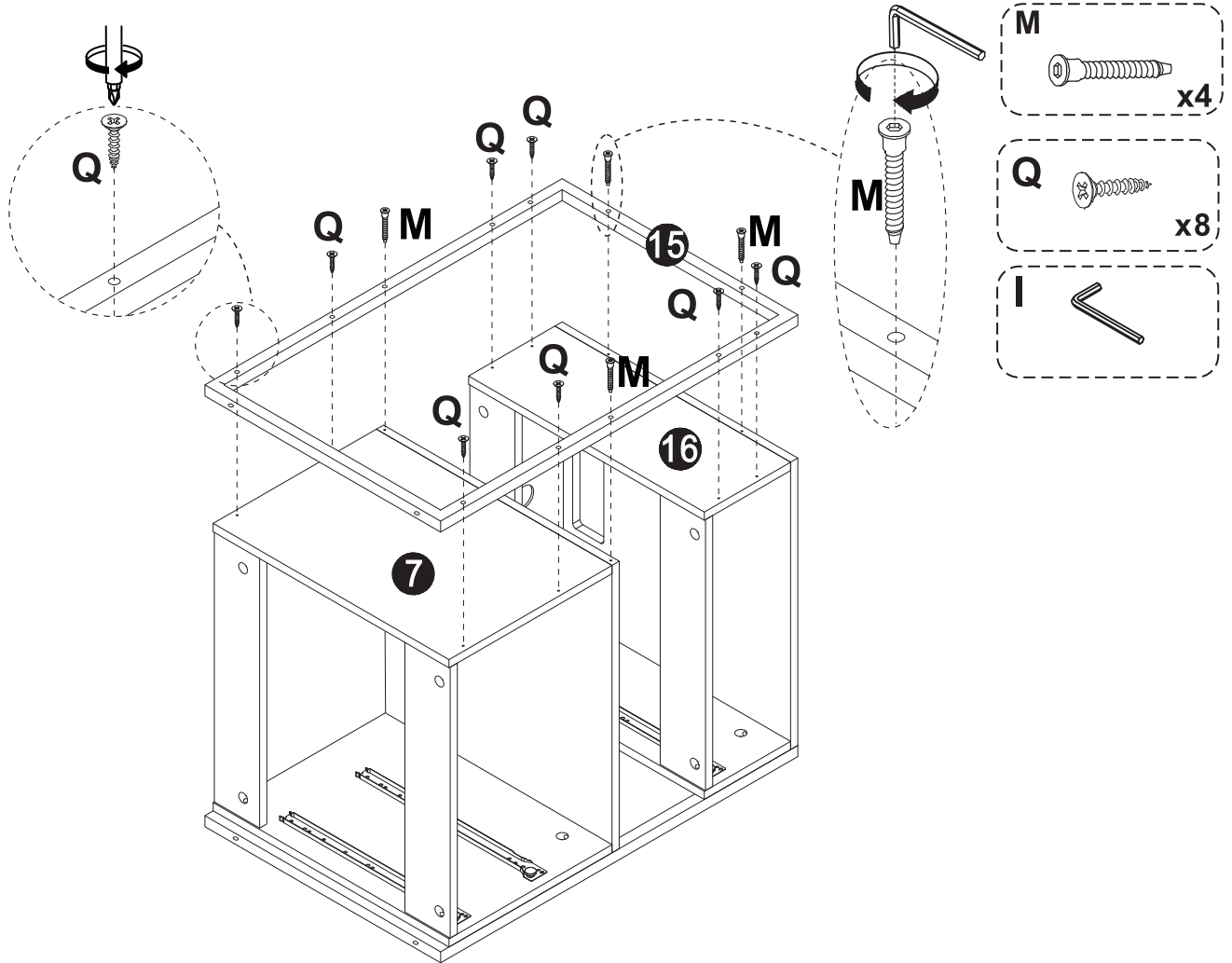
6



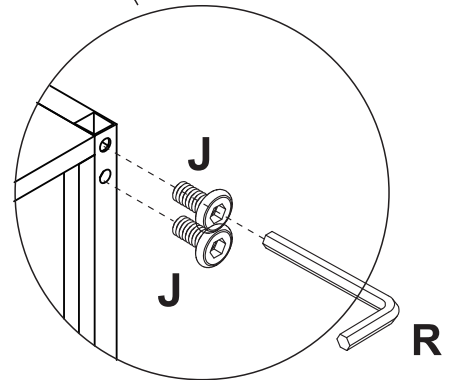
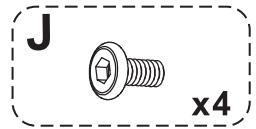
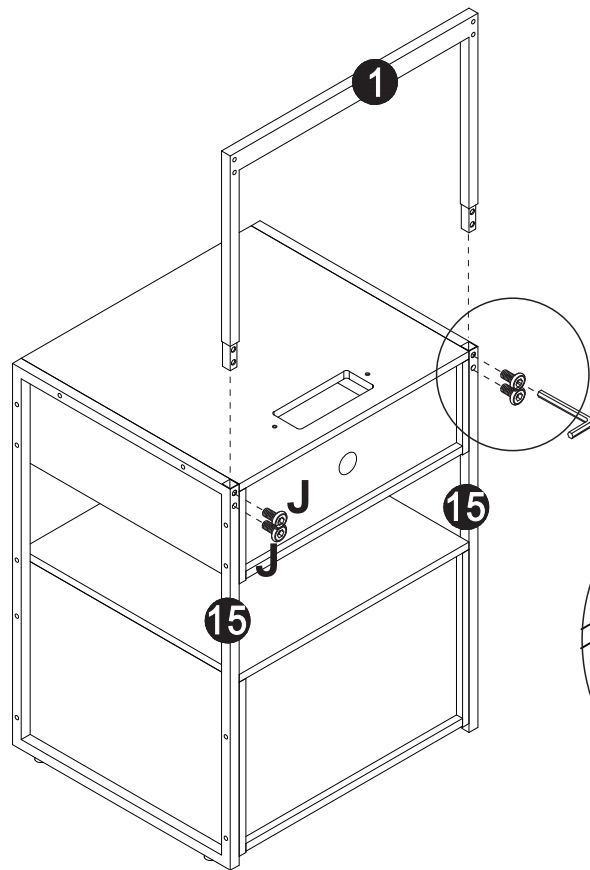
7



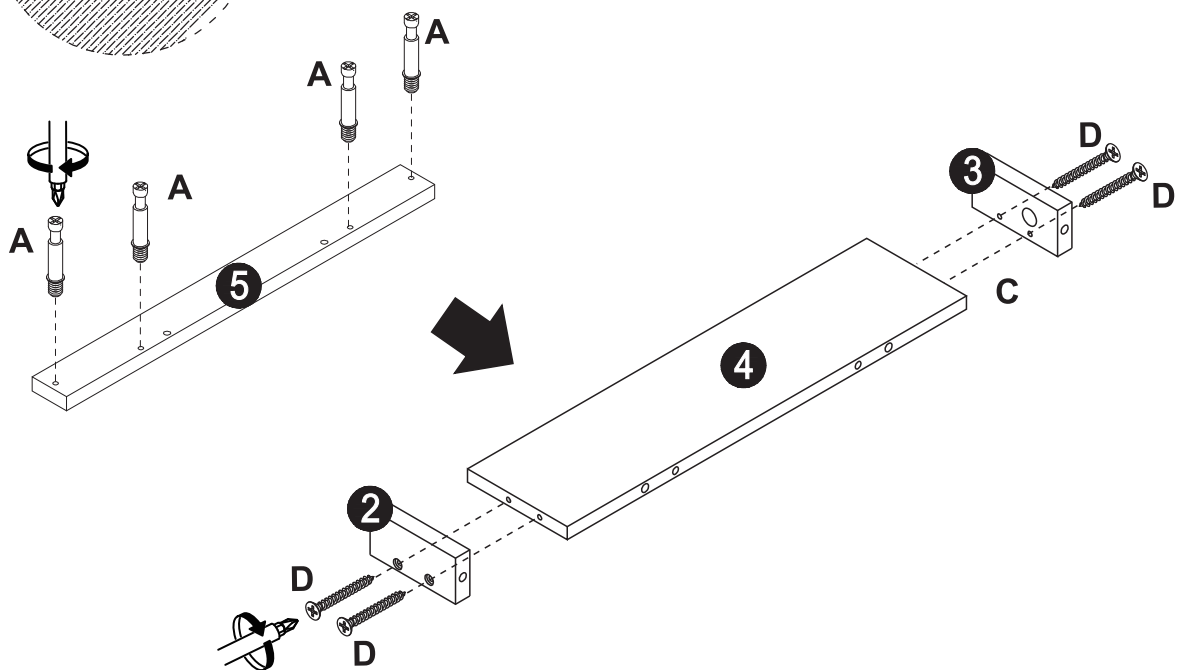
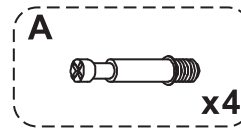
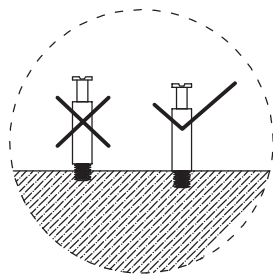
8



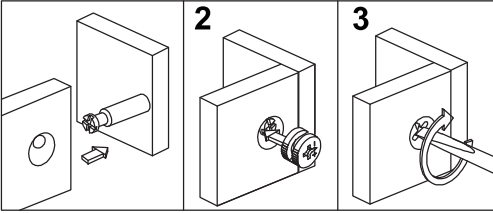
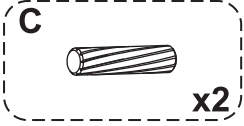
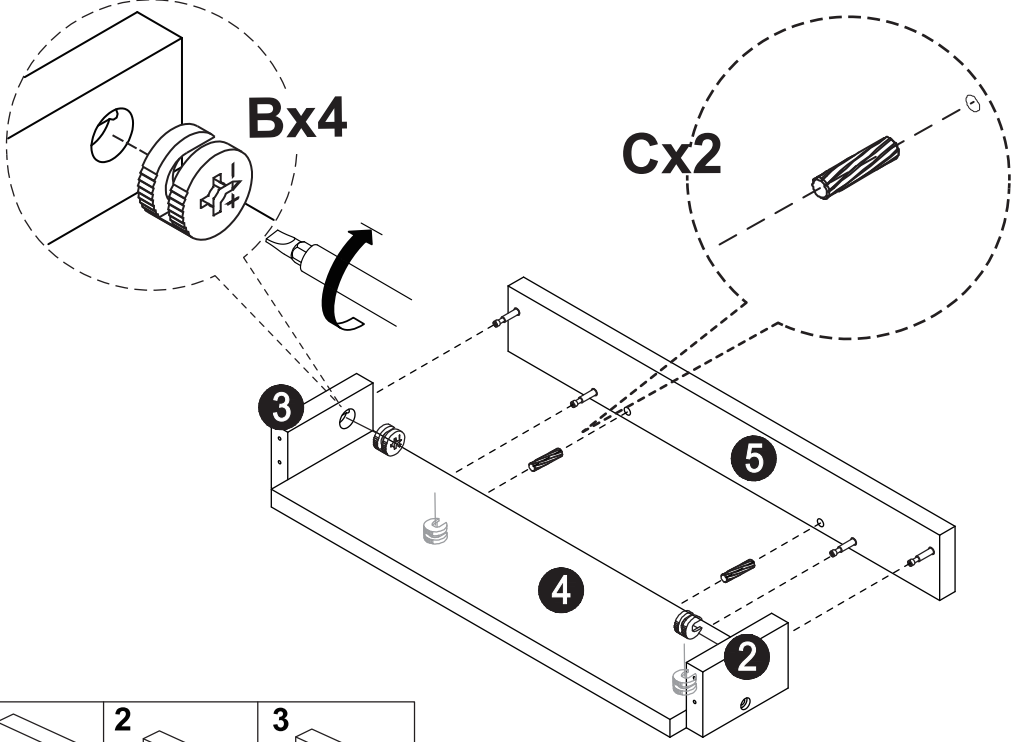
9



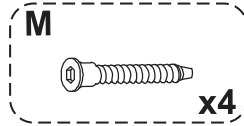
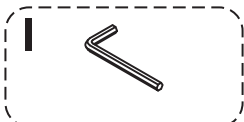
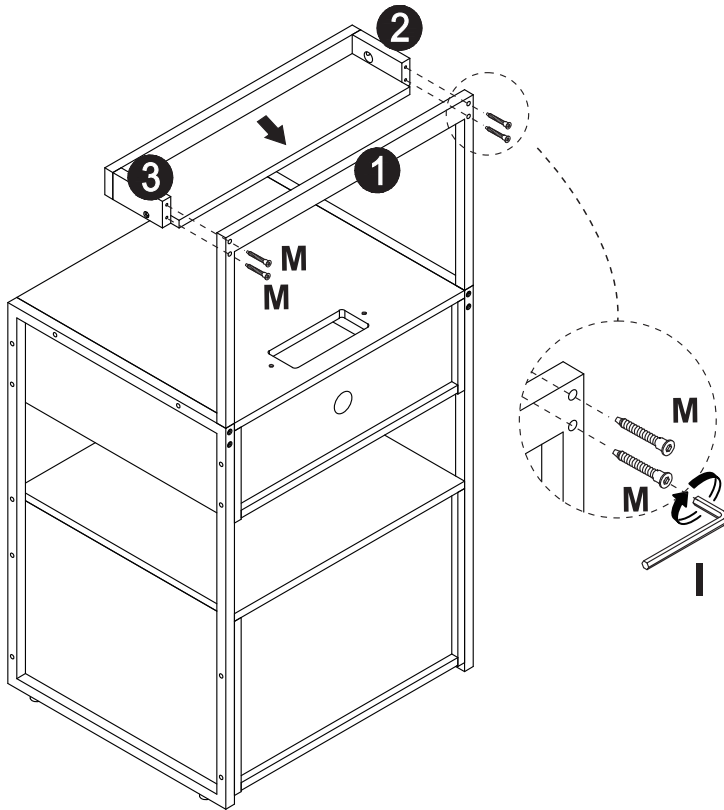
10



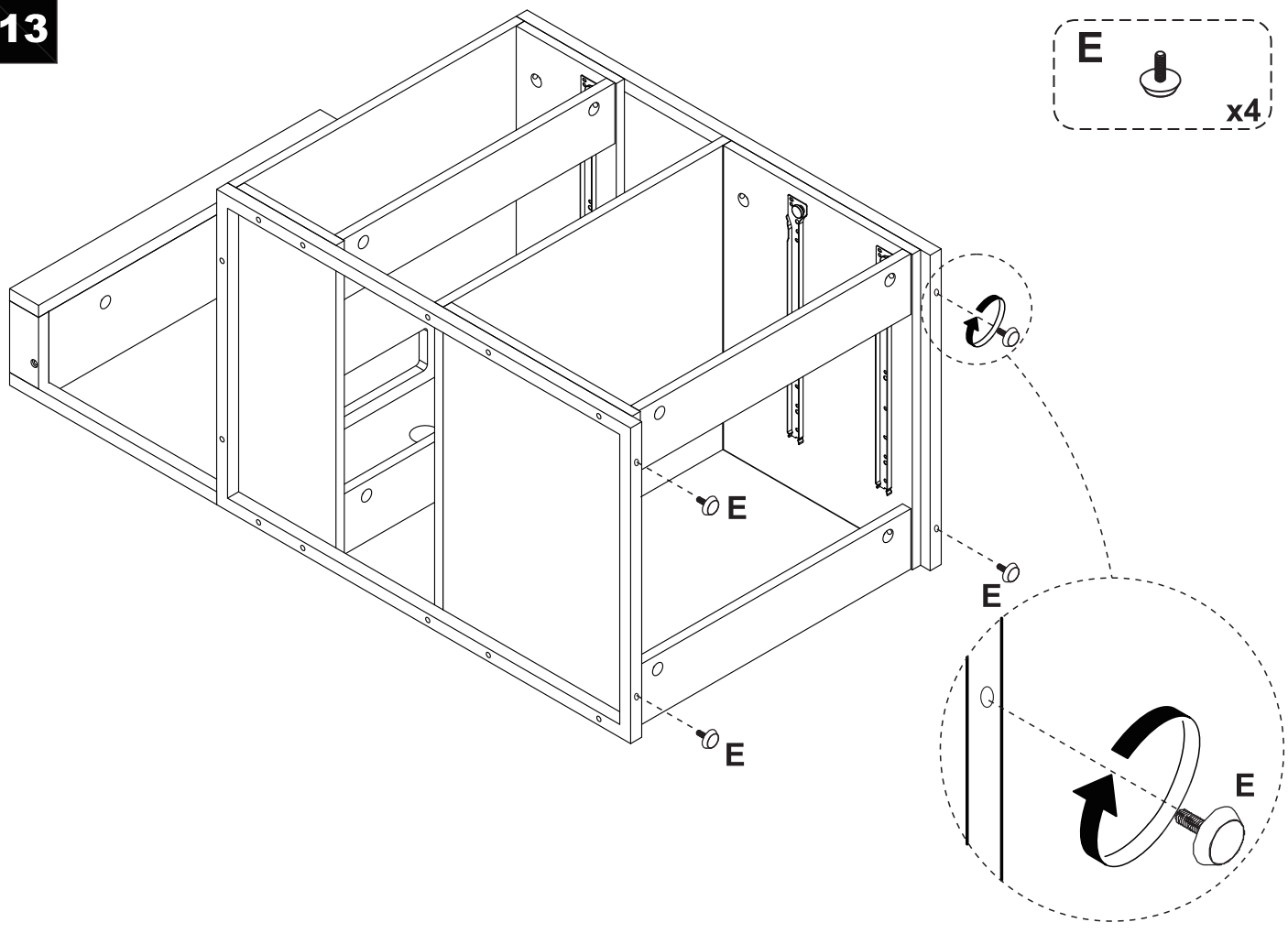
**11**



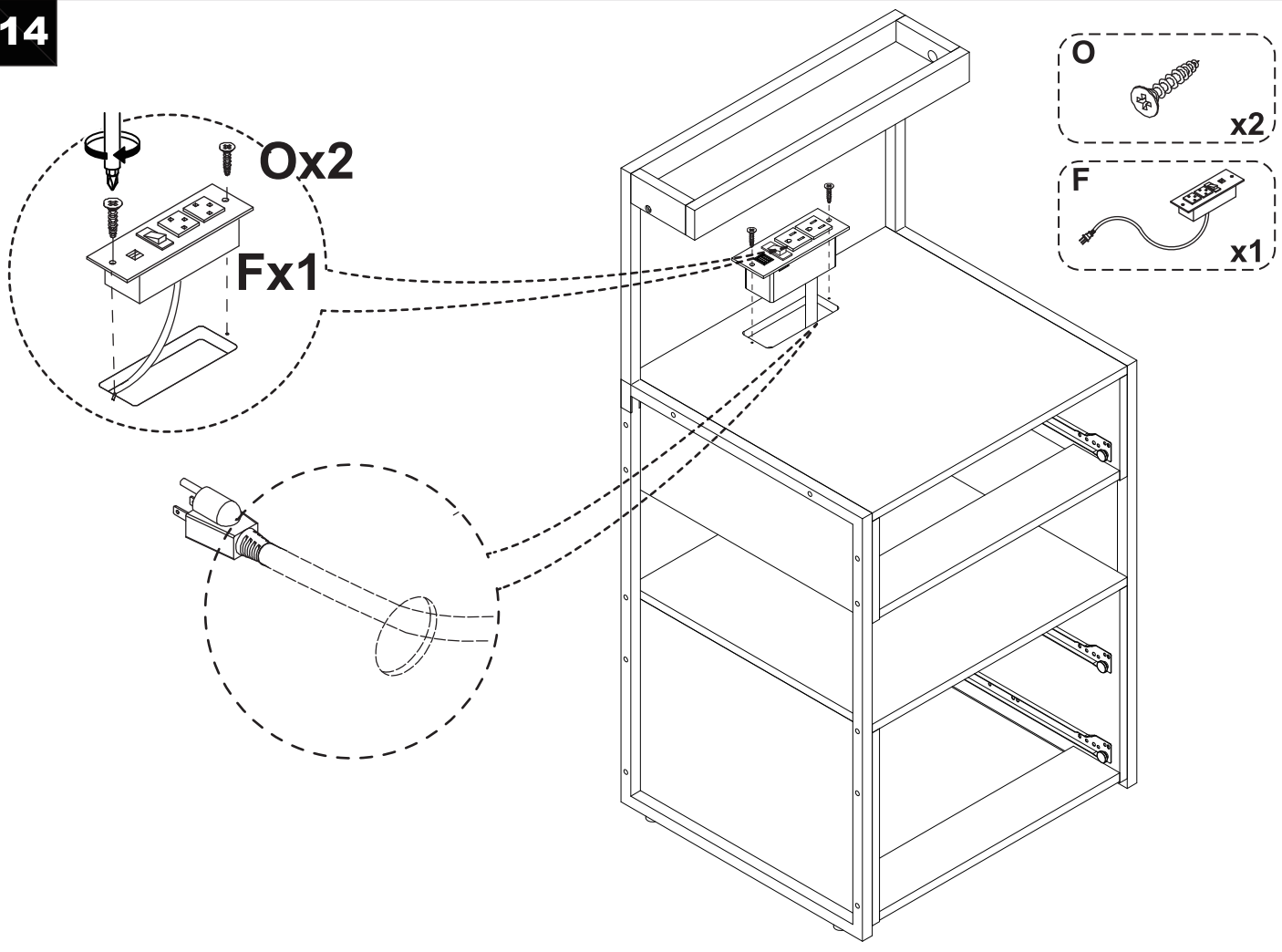
**12**

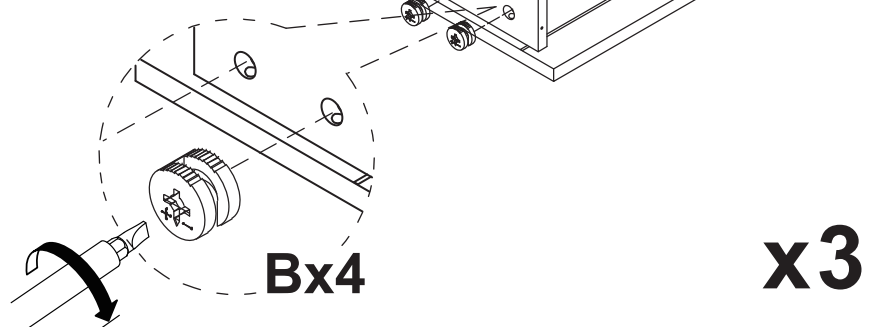
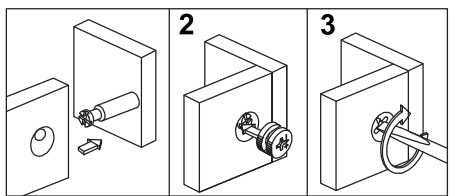
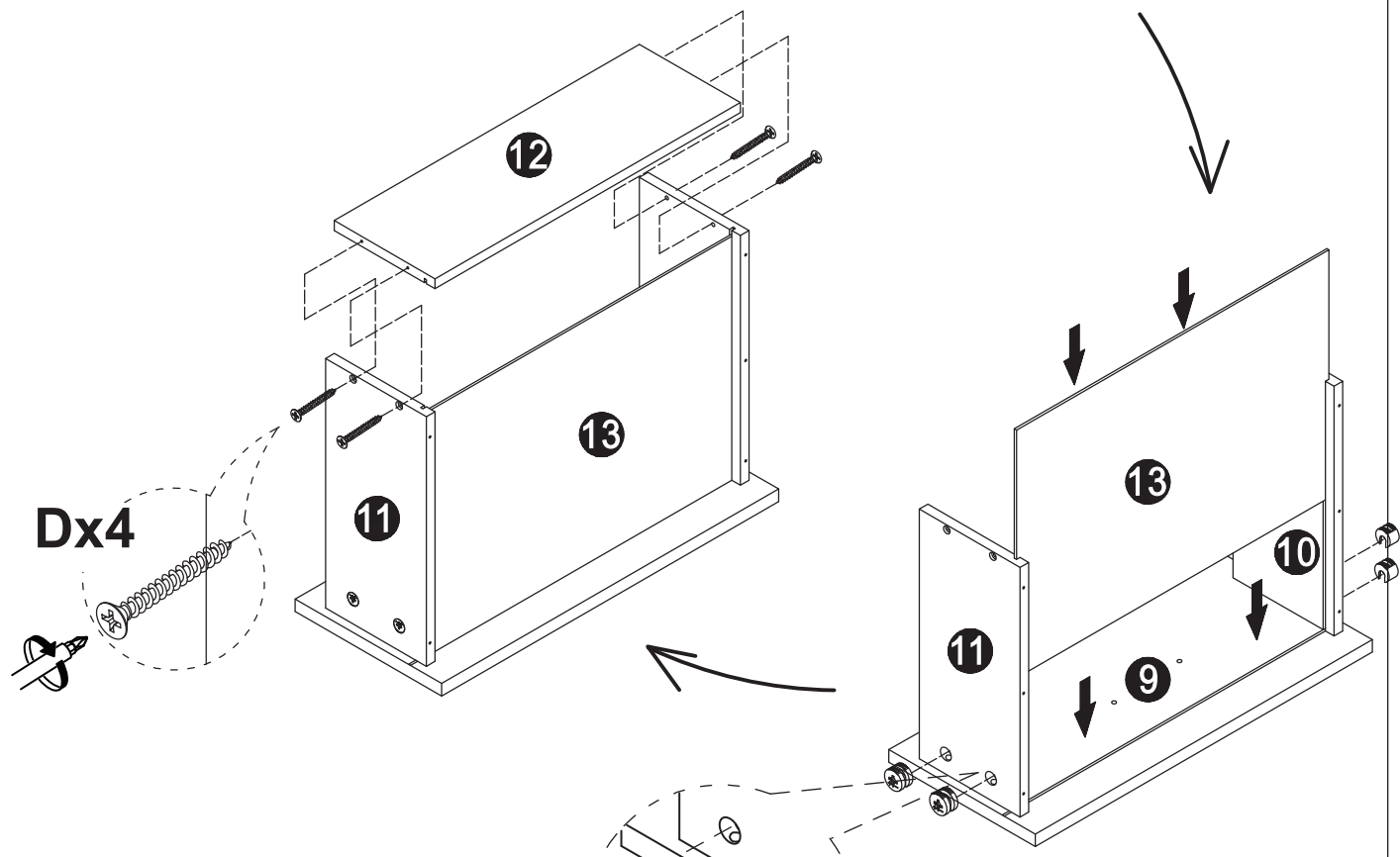
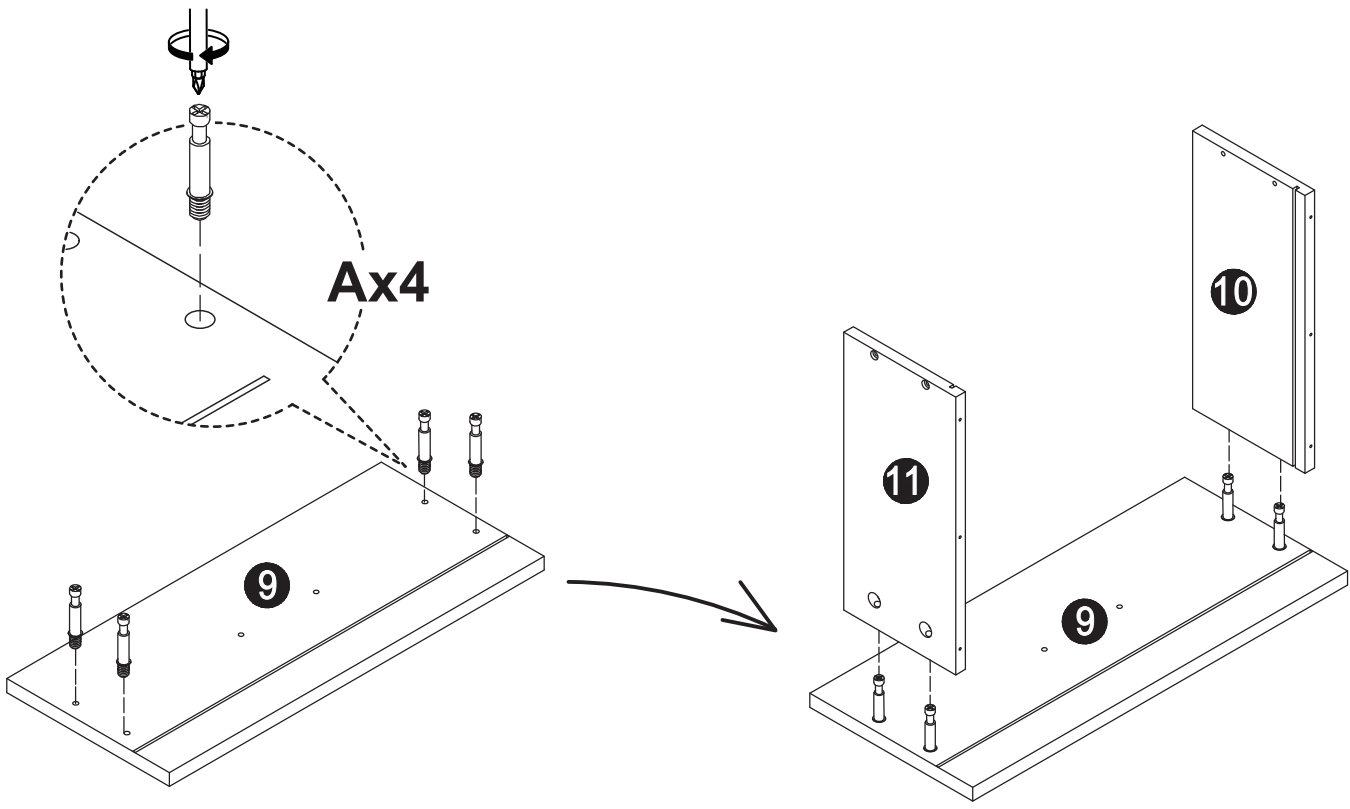
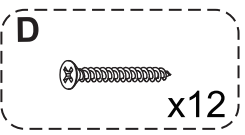
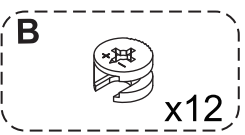
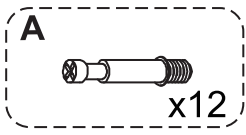


**13**

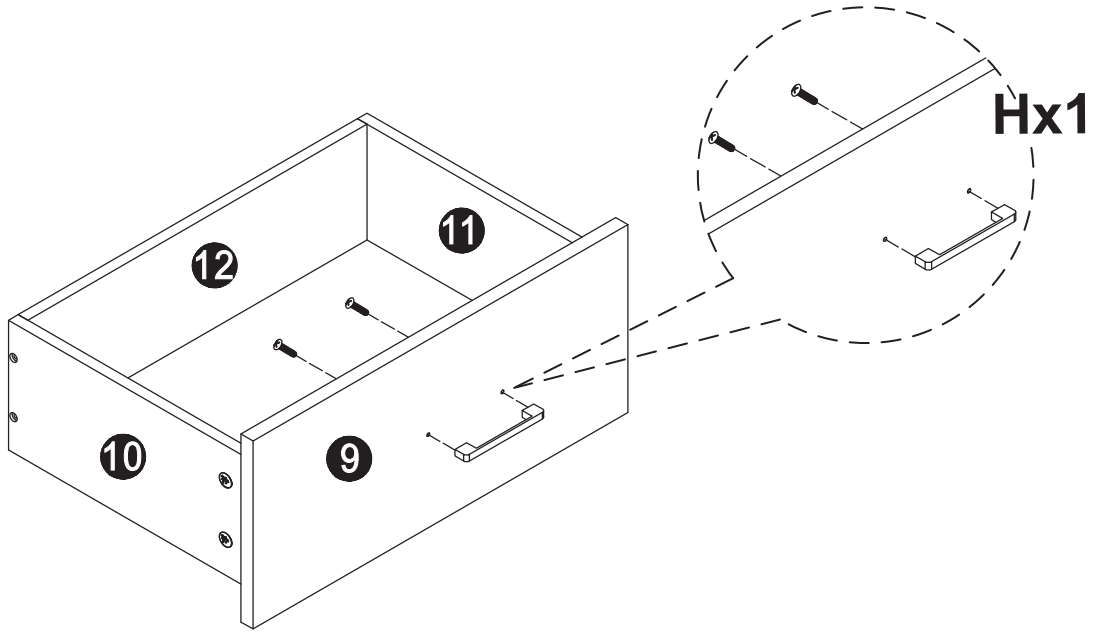
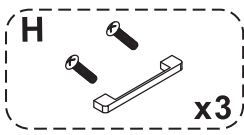


**14**



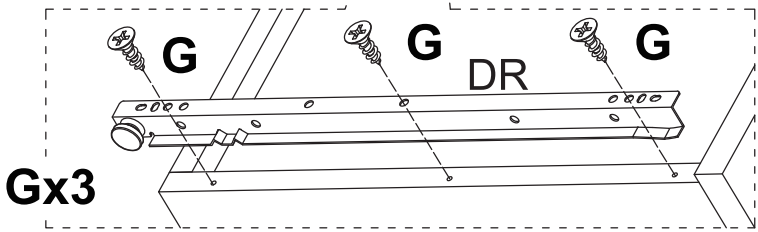
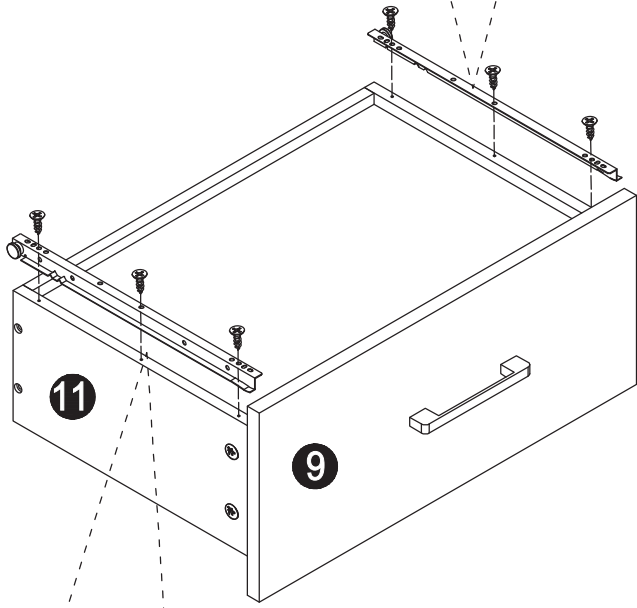
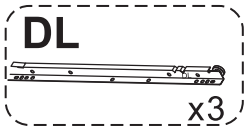
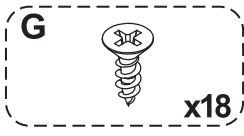
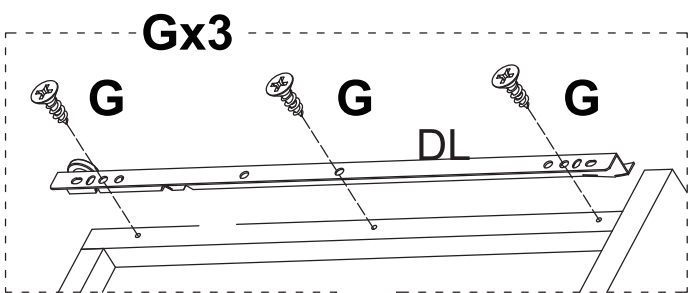


16



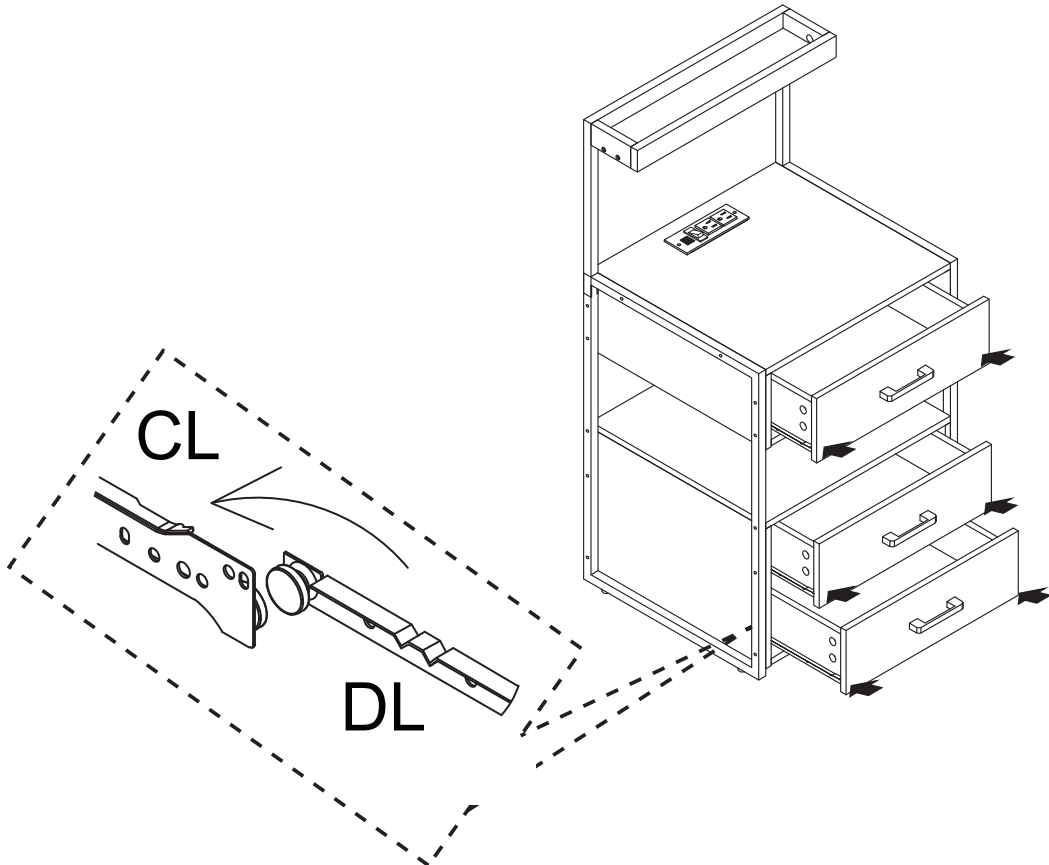
x3

17

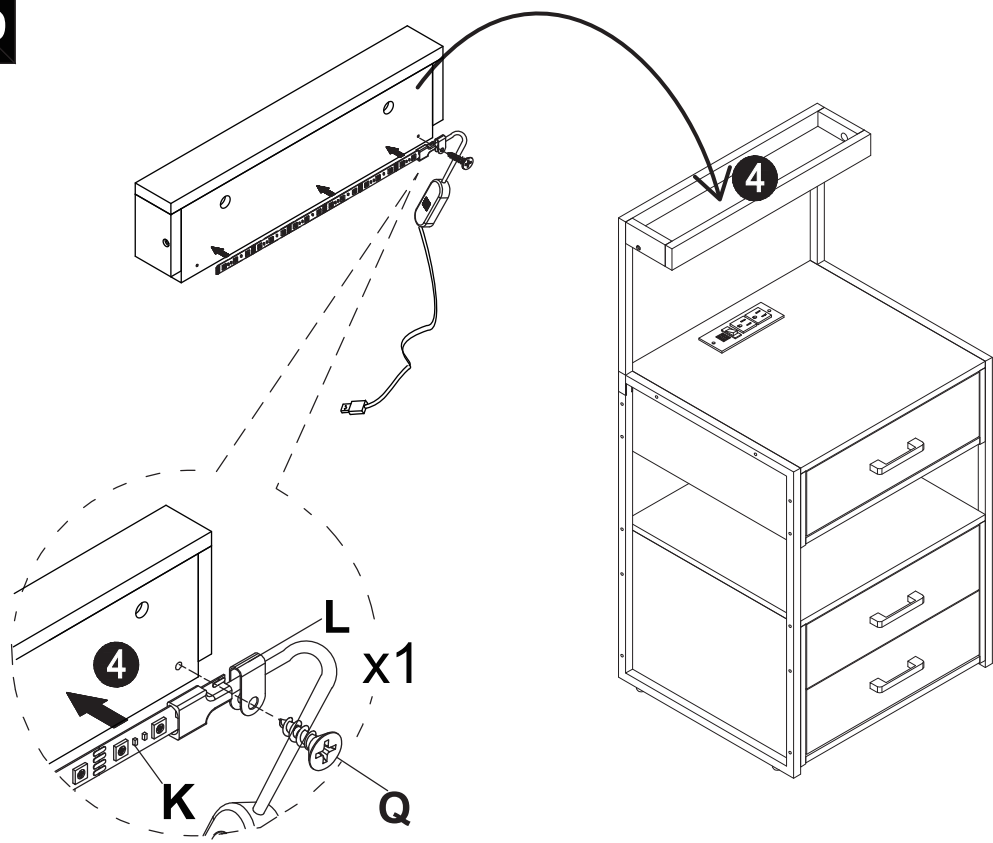



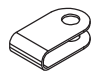

x3

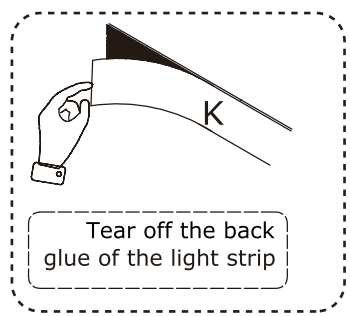
18





19

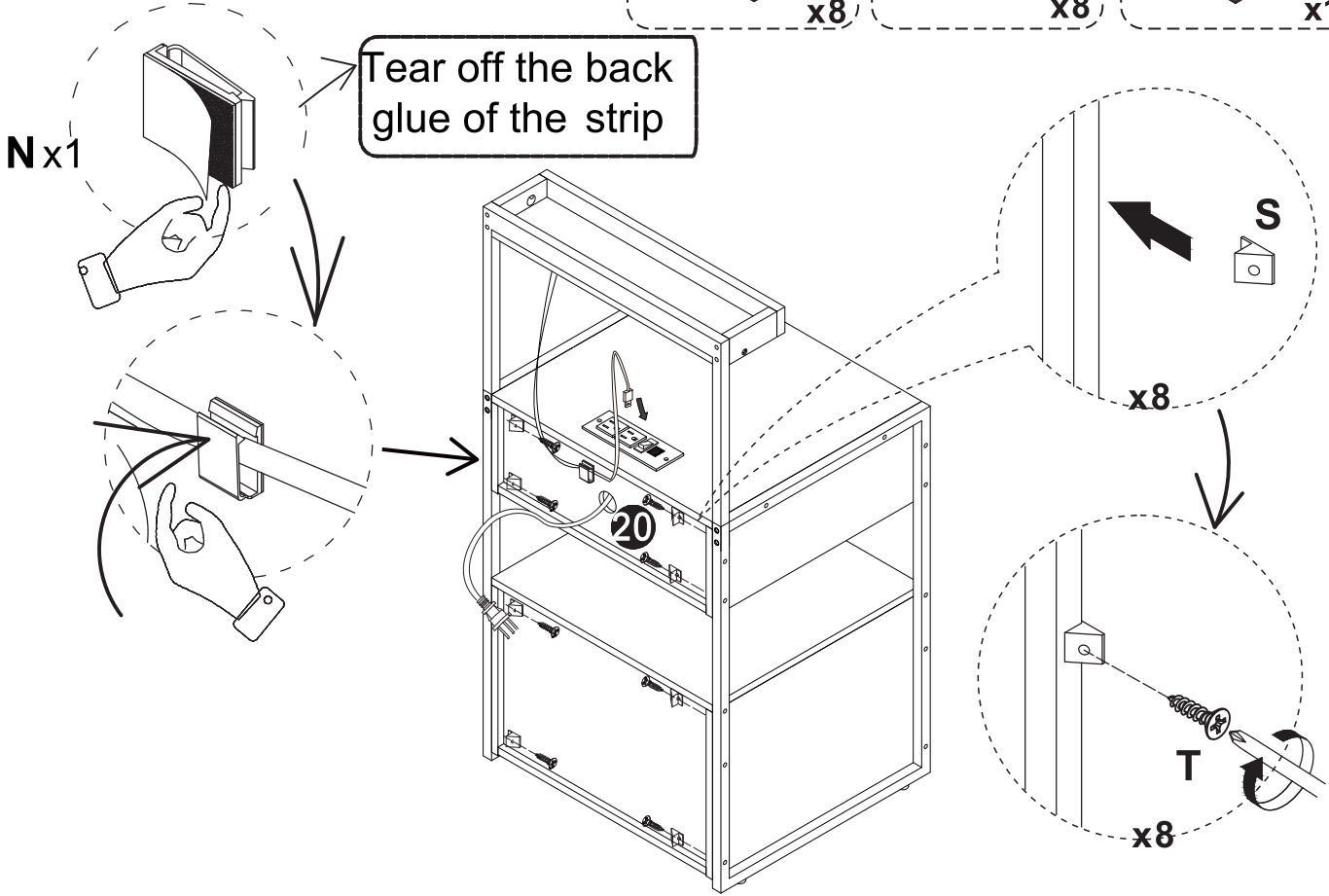


- G**  x1
- L**  x1
- K**  x1




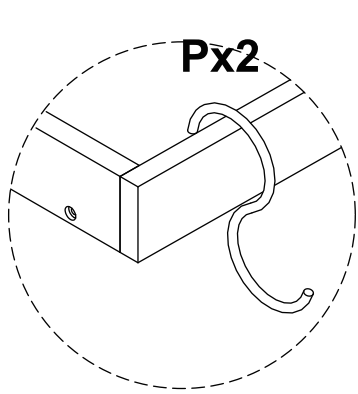
**20**

- S**  x8
- T**  $\varnothing 3 \times 16 \text{mm}$   x8
- N**  x1

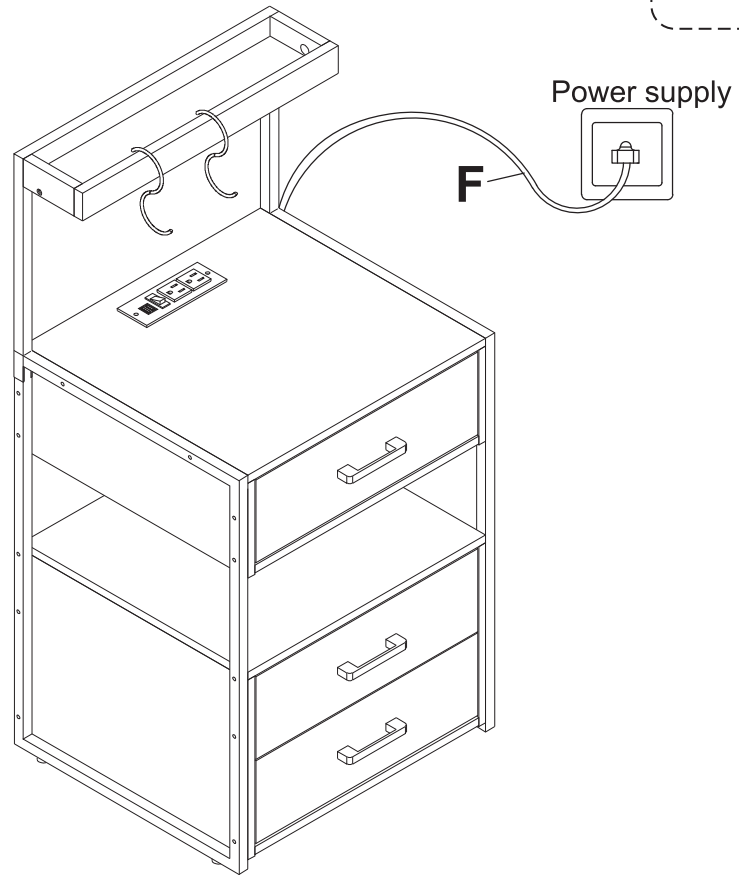


**21**

- P**  x2



Use hooks according to individual needs



# Complete!

