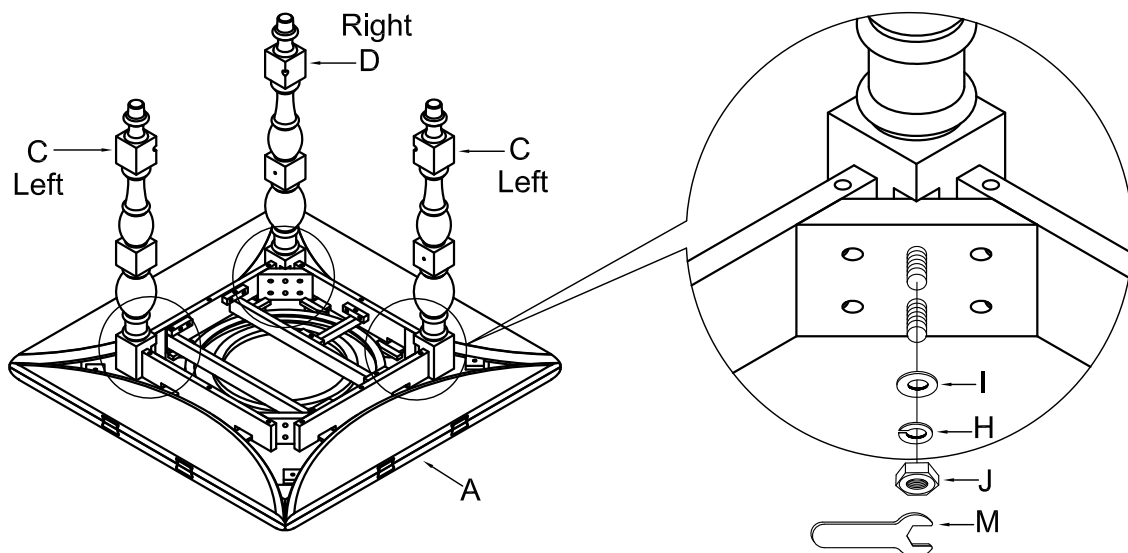


ASSEMBLY INSTRUCTIONS

**NOTE: THIS ITEM NOT RECOMMENDED FOR COMMERCIAL USE
KEEP THIS DOCUMENT FOR REFERENCE IN CASE PARTS ARE NEEDED
DO NOT TIGHTEN SCREWS UNTIL COMPLETELY ASSEMBLED!!**

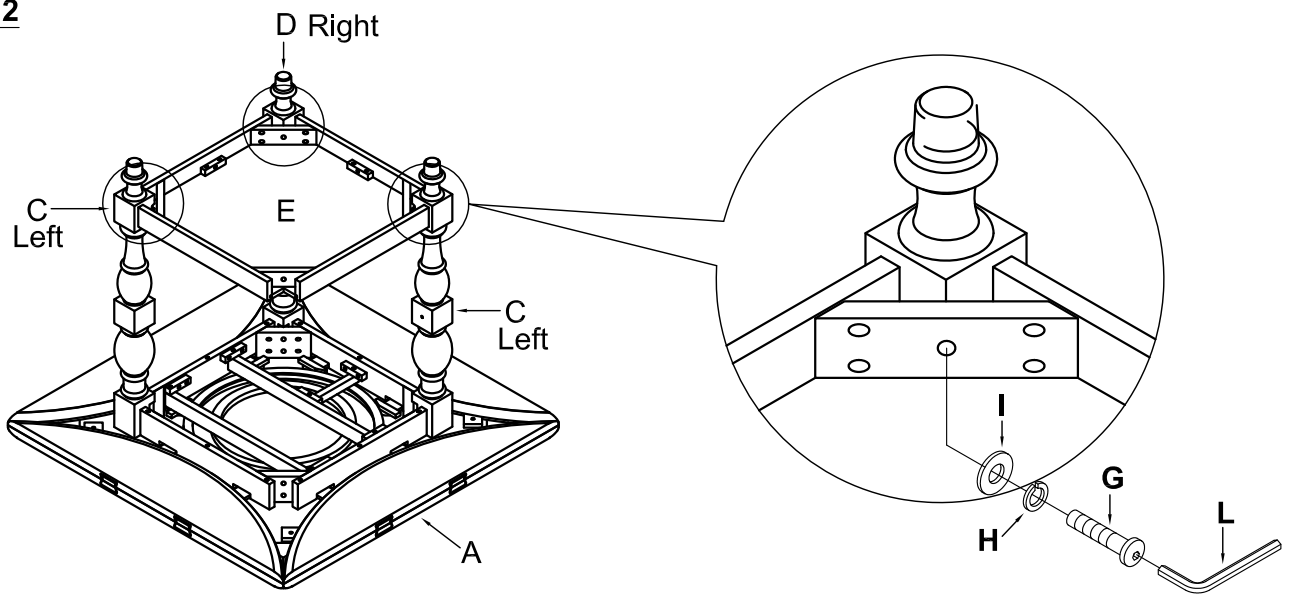
No	DESCRIPTION	Q'TY
A	TABLE TOP 59-1/2" x 59-1/2" x 4"	1PC
B	LAZY SUSAN 20" x 20" x 1"	1PC
C	LEFT TABLE LEG 35" x 4-1/4" x 4-1/4"	2PCS
D	RIGHT TABLE LEG 35" x 4-1/4" x 4-1/4"	2PCS
E	BOTTOM SHELF 24-3/4" x 24-3/4" x 2-1/2"	1PC
F	FIXED SHELF 24-3/4" x 19-1/4" x 1"	1PC
G	LONG BOLT 5/16"DIA x 2-1/2"	4PCS
H	SPRING WASHER 5/16"DIA X 1/2"	12PCS
I	FLAT WASHER 5/16"DIA x 3/4"	12PCS
J	HEX- NUT 5/16"DIA x 1/2"	8PCS
K	SHORT BOLT 1/4"DIA x 2-1/4"	4PCS
L	ALLEN KEY 1/8" x 2-1/4"	1PC
M	WRENCH 3" x 1/2"	1PC
N	LEAF HOLDER 3/4" x 2"	4PCS
O	SHELF SUPPORTER 4PCS	4PCS
P	SCREW 6mmDIA x 5/8"	4PCS

STEP 1

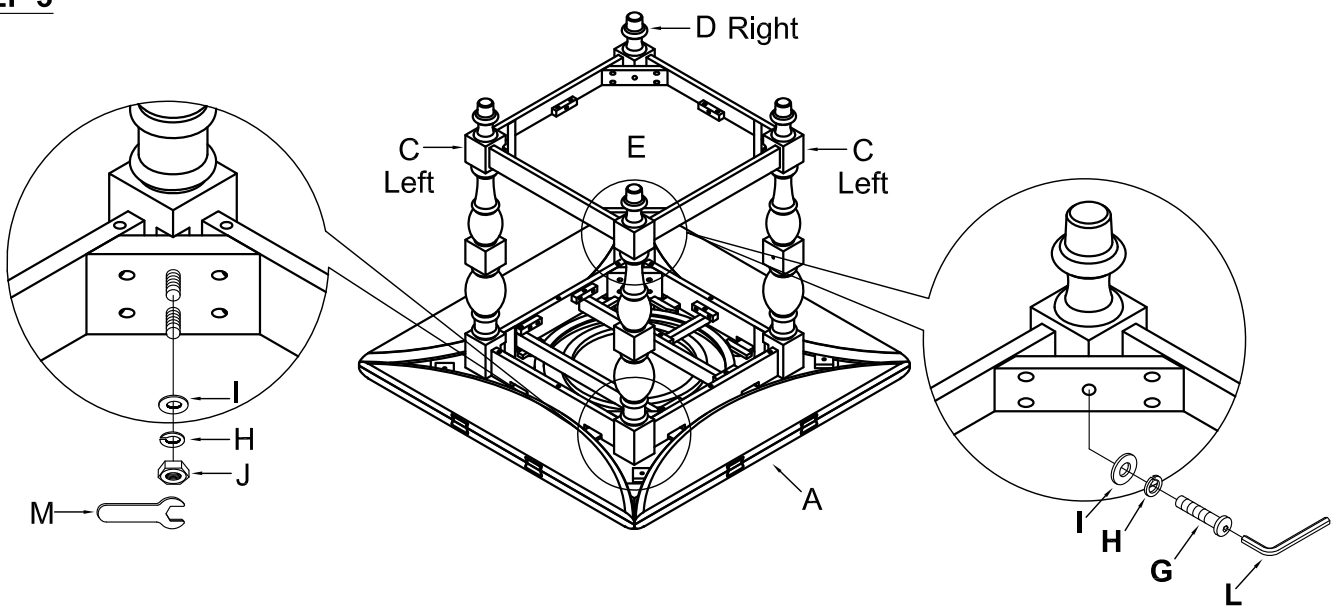


ASSEMBLY INSTRUCTIONS

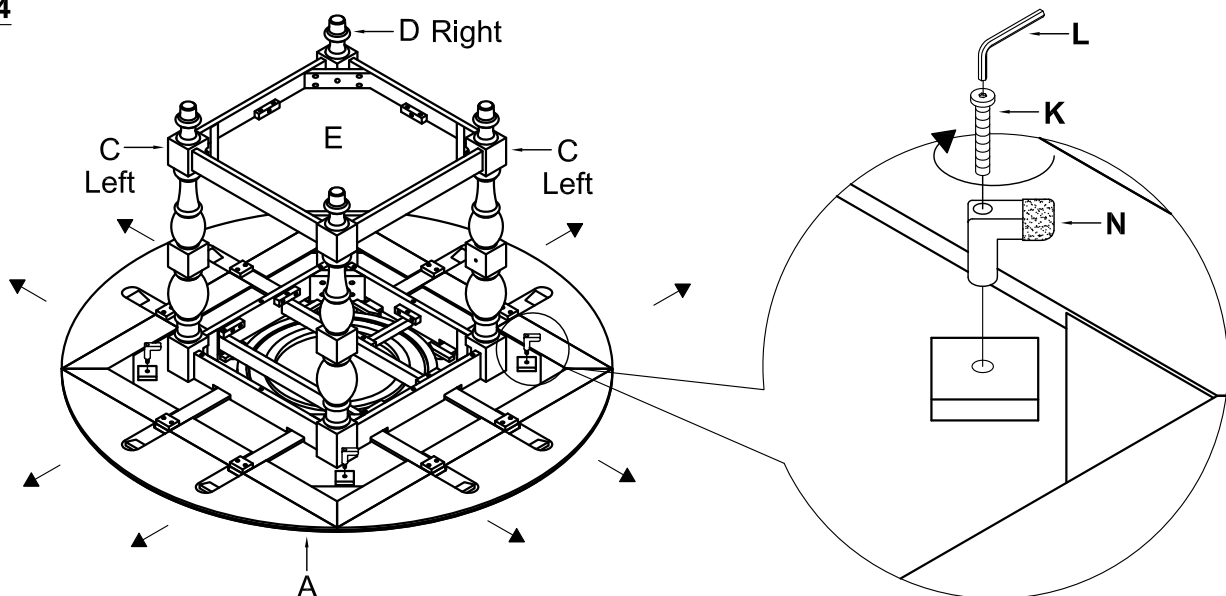
STEP 2



STEP 3



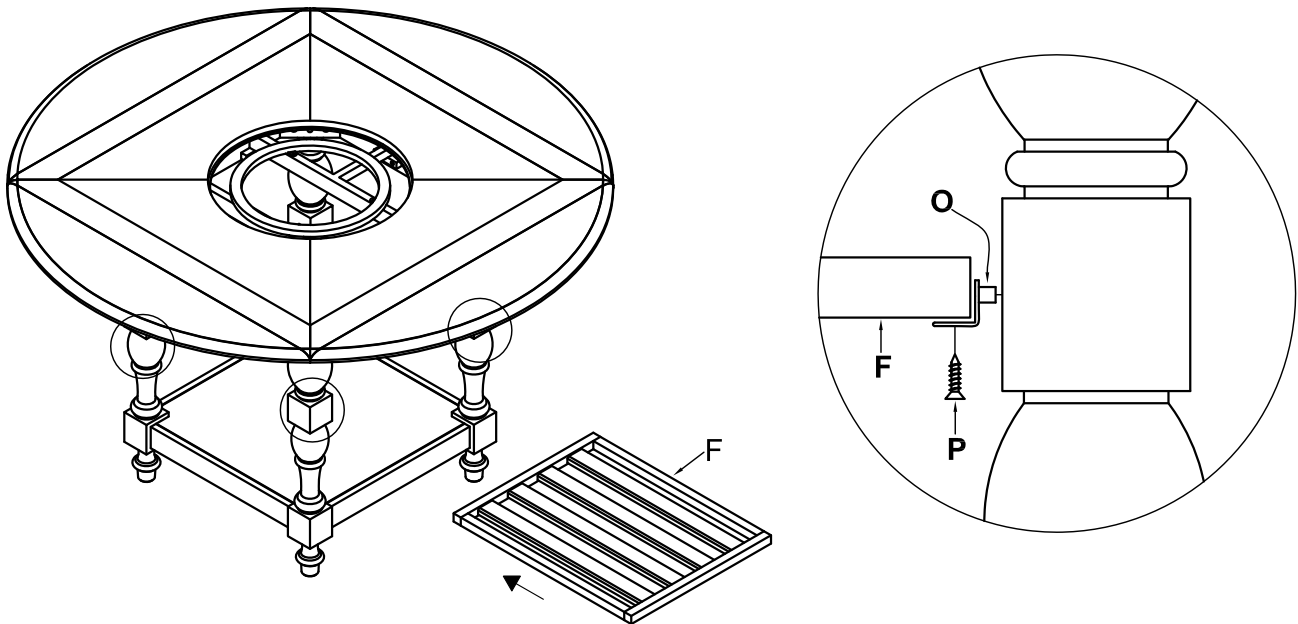
STEP 4



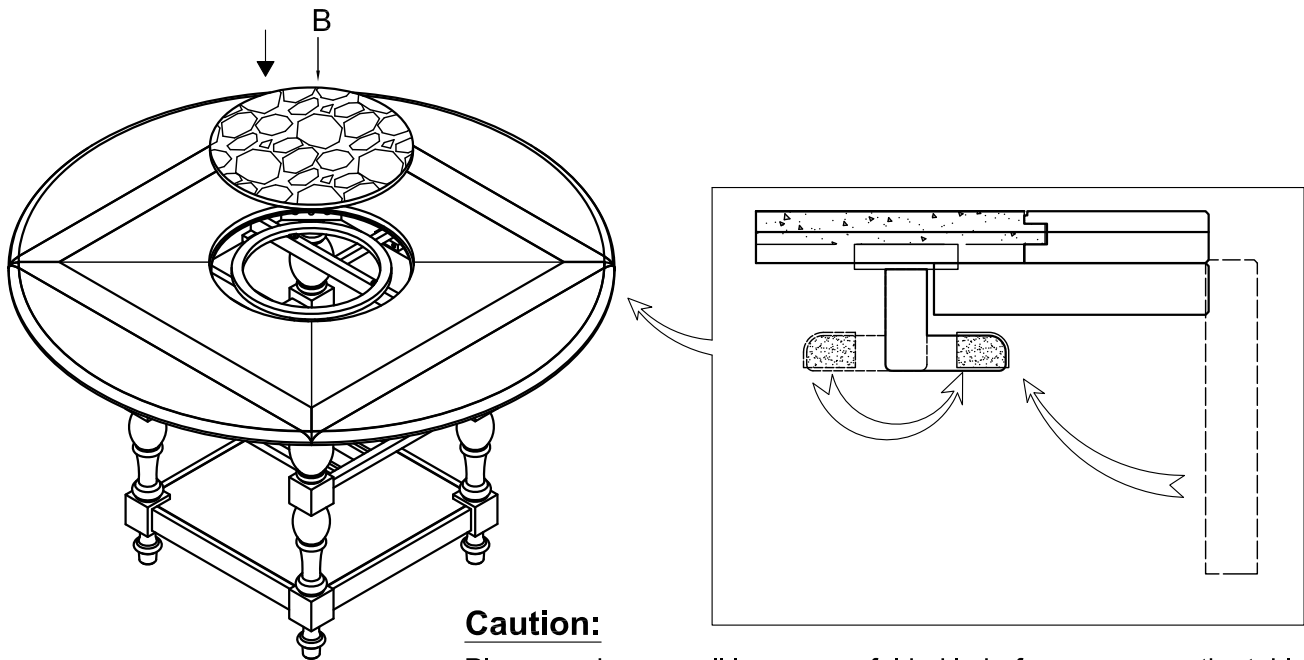
ASSEMBLY INSTRUCTIONS

PAGE 3 OF 3

STEP 5



STEP 6



Caution:

Please make sure all leaves are folded in before you move the table.