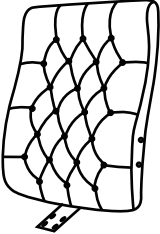
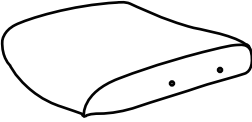

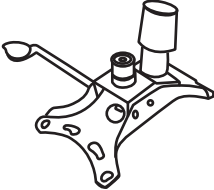
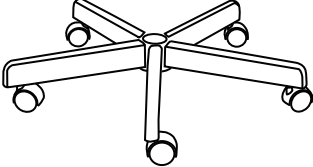
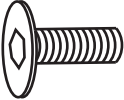
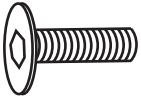
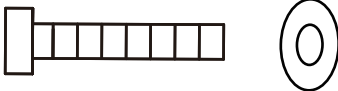

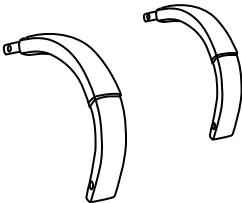

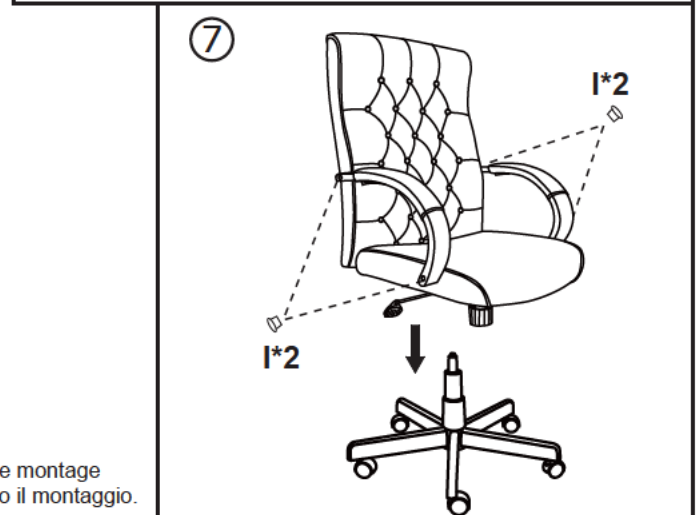
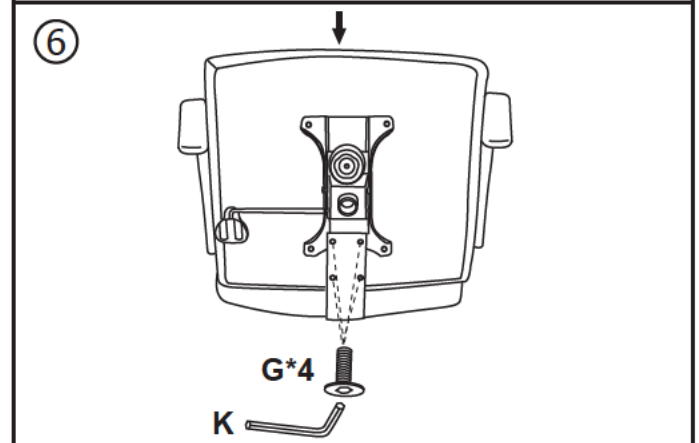
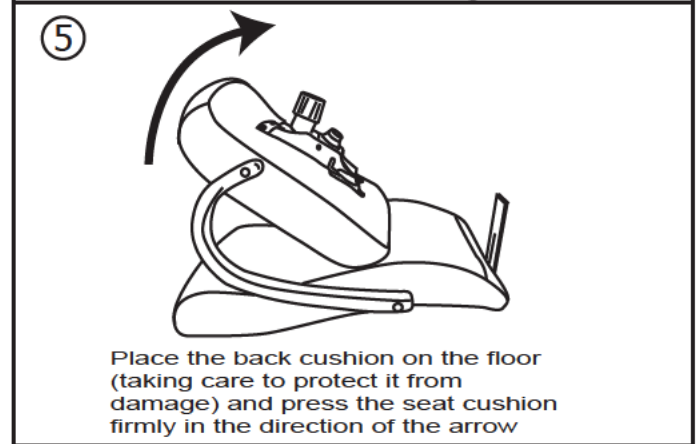
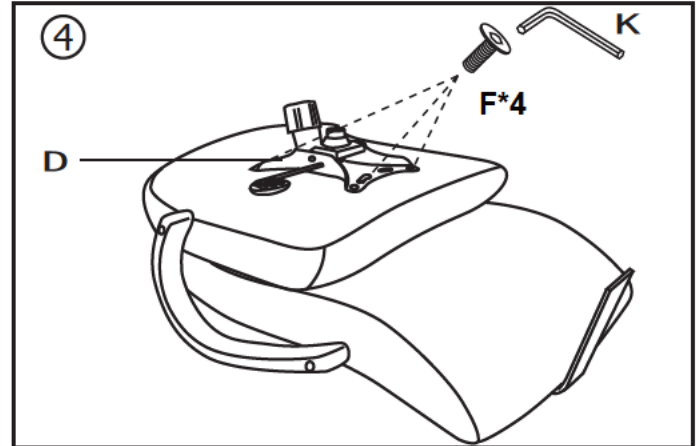
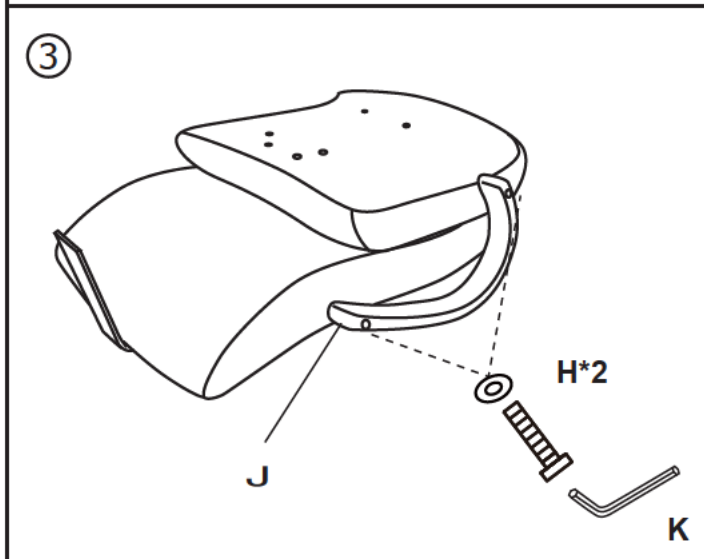
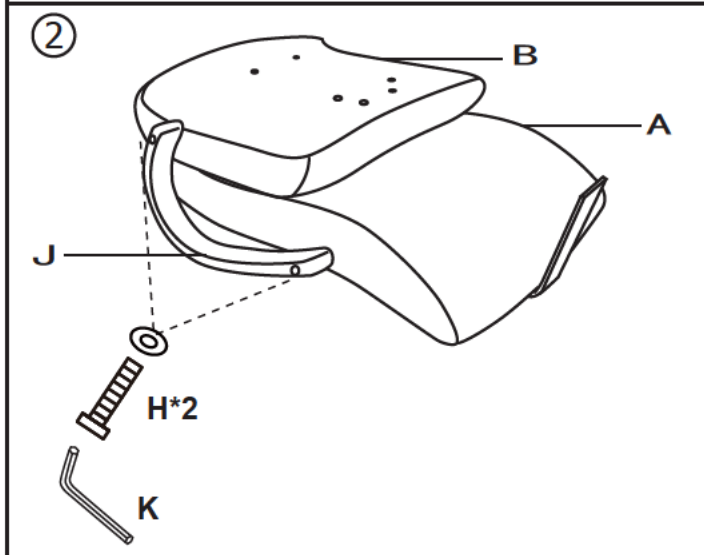
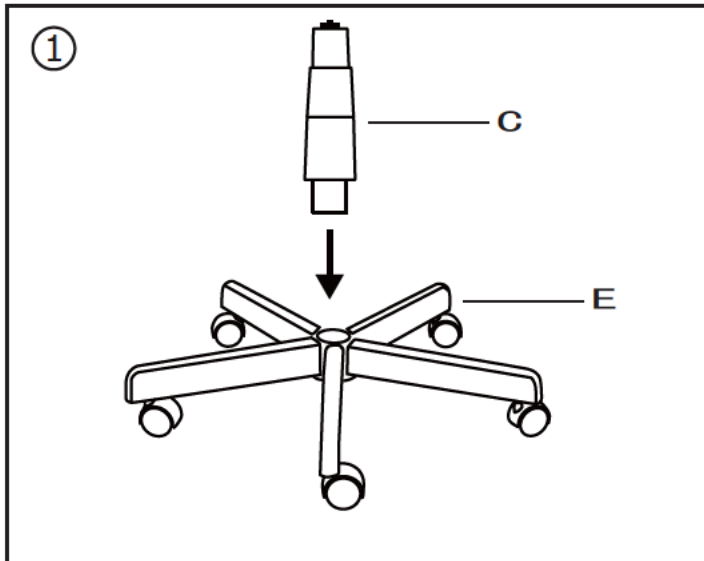




A		x1
B		x1
C		x1
D		x1
E		x1
F	 PRE-INSERTED (M8×22mm)	x4
G	 PRE-INSERTED (M6×30mm)	x4
H	 (M6×55mm)	x4
I		x4
J		x1
K		x1

**DO NOT USE A POWER DRILL TO TIGHTEN THE SCREWS
 - TIGHTEN BY HAND WITH THE ALLEN KEY PROVIDED
 Do not tighten bolts fully until you have completed assembly.**



IMPORTANT! Do not tighten bolts fully until you have completed assembly
IMPORTANT! Ne serrez pas complètement les boulons avant d'avoir terminé le montage
IMPORTANT! Non serrate completamente le viti finchè non avrete completato il montaggio.
WICHTIG! Schrauben erst nach vollständiger Montage fest anziehen.
IMPORTANT! No apriete en su totalidad los pernos hasta no haber completado el montaje.
BELANGRIJK! Draai de bouten niet helemaal vast voordat u de stoel volledig in elkaar hebt gezet.

