



ASSEMBLY & INSTALLATION INSTRUCTIONS FOR #10310

Please read carefully and save these instructions, as you may need them at a later date.

CAUTION

Turn off the main power at the circuit breaker before installing the fixture, in order to prevent possible shock.

GENERAL

All electrical connections must be in accordance with local and National Electrical Code (N.E.C.) standards. If you are unfamiliar with proper electrical wiring connections obtain the services of a qualified electrician.

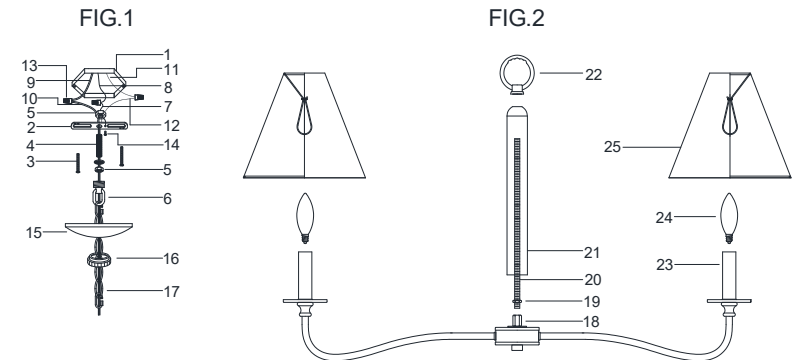
Remove the fixture and the mounting package from the box and make sure that no parts are missing by referencing the illustrations on the installation instructions.

ASSEMBLY AND INSTALLATION

1. Take the parts out of the mounting package. Screw the end of the NIPPLE (4) into the center hole of the MOUNTING BRACKET (2) and thread both 1/8" IPS HEX NUT (5) several turns onto each end of the NIPPLE (4) but do not tighten the 1/8" IPS HEX NUTS (5). Pull the SUPPLY WIRES (9 & 11) and the SUPPLY GROUND WIRE (8) out from the OUTLET BOX (1) and attach the MOUNTING BRACKET (2) assembly to the OUTLET BOX (1) using the slotted holes of the MOUNTING BRACKET (2) and the MOUNTING SCREWS (3) provided (See Fig. 1)
2. Thread the SCREW COLLAR LOOP (6) onto the bottom end of the NIPPLE (4). Place the CANOPY (15) over the OUTLET BOX (1) and adjust the SCREW COLLAR LOOP (6) and NIPPLE (4) until the midpoint of the outside threads on the SCREW COLLAR LOOP (6) is centered (aligned) with the surface of the CANOPY (15). Remove the CANOPY (15) and tighten both 1/8" IPS HEX NUTS (5) down on the MOUNTING BRACKET (2) and the SCREW COLLAR LOOP (6). (See Fig. 1)
3. Open up the end link of the CHAIN (17). Slide the THREADED RING (16) and the CANOPY (15) onto the CHAIN (17) (in that order) and attach the other end of the CHAIN (17) to the SCREW COLLAR LOOP (6). Close the ends of the chain links. (See Fig. 1 and 2), Screw the nipple into the connector (18) and secure it with a nut (19). Fit the rod (21). Then the look (22) onto the nipple.
4. Unravel the fixture lead wires (10 and 12) and FIXTURE GROUND WIRE (7) and thread them through every other link of the CHAIN (17) starting with the chain link attached to the FIXTURE LOOP (18). Feed the fixture lead wires (10 and 12) and FIXTURE GROUND WIRE (7) through the SCREW COLLAR LOOP (6) and NIPPLE (4) assembly. Pull the fixture lead wire (10 and 12) and the FIXTURE GROUND WIRE (7) upward to remove any excess slack. (See Fig. 1).

ASSEMBLY AND INSTALLATION (Continued)

5. Attach the power supply wires to the fixture lead wires by connecting the BLACK SUPPLY WIRE (9) to the SMOOTH FIXTURE LEAD WIRE (10) and the WHITE SUPPLY WIRE (11) to the RIBBED FIXTURE LEAD WIRE (12). Loop the FIXTURE GROUND WIRE (7) around the GROUND SCREW (14) of the MOUNTING BRACKET (2). (Note: Be sure to provide an extra 3" length of the GROUND WIRE (7). Connect the remaining FIXTURE GROUND WIRE (7) to the SUPPLY GROUND WIRE (8) using a WIRE CONNECTOR (13). Place wiring and connections inside the OUTLET BOX (1). (See Fig. 1).
6. Slide the CANOPY (15) and the THREADED RING (16) up the CHAIN (17). Place the CANOPY (15) over the OUTLET BOX (1) and secure it in place by screwing the THREADED RING (16) onto the SCREW COLLAR LOOP (6). (See Fig. 1).
7. Thread the NIPPLE (20) onto the CONNECTOR (18) lock by the HEX NUT (19), slide the CENTER STEM (21) over the NIPPLE (18), thread the FIXTURE LOOP (22) onto the NIPPLE (18) till tight. Screw light bulbs into the lamp sockets and make sure they do not exceed the maximum wattage specified on the fixture's wattage rating label, **MAXIMUM 40W**. Put the cloth shade (25) over light bulbs (24).



- | | | |
|------------------------|------------------------------|------------------|
| 1. OUTLET BOX | 9. BLACK SUPPLY WIRE | 17. CHAIN |
| 2. MOUNTING BRACKET | 10. SMOOTH FIXTURE LEAD WIRE | 18. CONNECTOR |
| 3. MOUNTING SCREW | 11. WHITE SUPPLY WIRE | 19. HEX NUT |
| 4. NIPPLE | 12. RIBBED FIXTURE LEAD WIRE | 20. NIPPLE |
| 5. 1/8" IPS HEX NUT | 13. WIRE CONNECTION | 21. CENTER STEM |
| 6. SCREW COLLAR LOOP | 14. GROUND SCREW | 22. FIXTURE LOOP |
| 7. FIXTURE GROUND WIRE | 15. CANOPY | 23. IRON PIPE |
| 8. SUPPLY GROUND WIRE | 16. THREADED RING | 24. FABRIC SHADE |