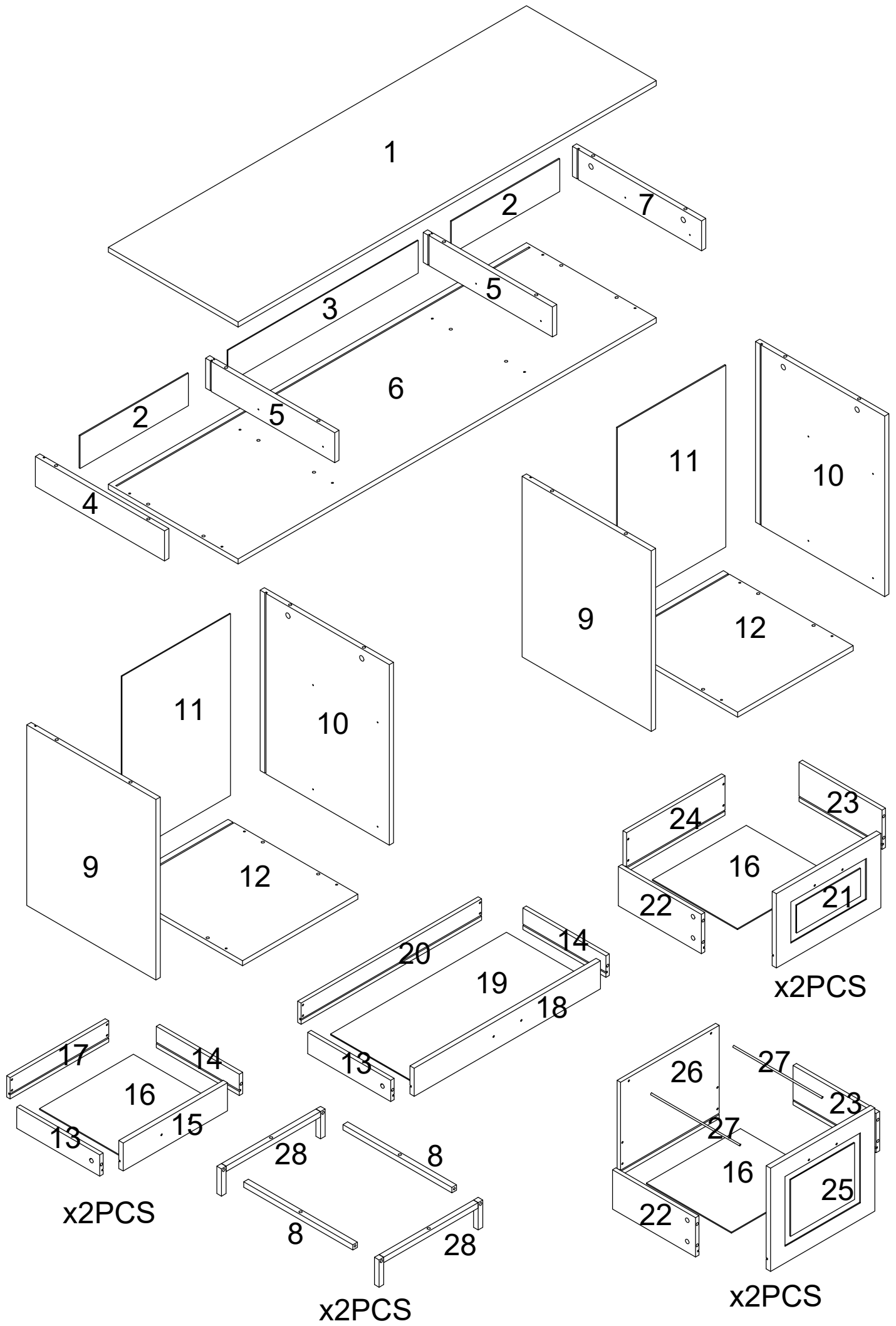


SKU:SF001010WH  
SF001010BL





# Trouble Shooting

Missing/Damaged pieces/  
Wrong size and installation issues



Contact us with your problem, pic,  
number and qty to the "Contact seller"  
button in the detail page of your order



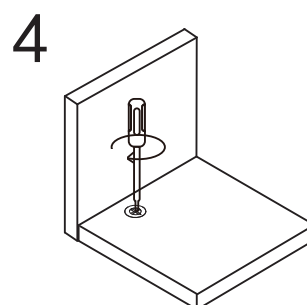
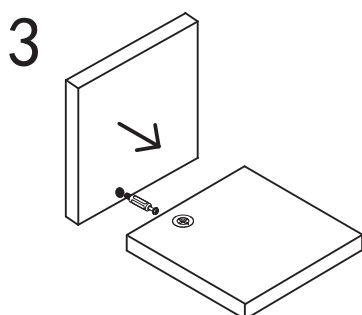
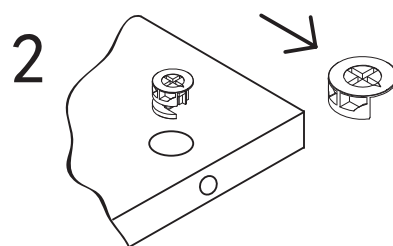
Respond with 24 hours to solve issue

# Before You Start

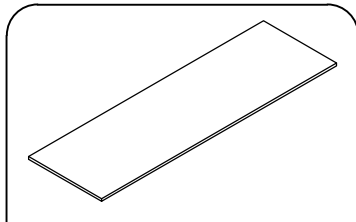
1. Read through each step carefully and follow the proper order
2. Separate and count all your parts and hardware
3. Give yourself enough room for the assembly process
4. Caution: If using a power drill or power screwdriver for screwing, please be aware to slow down and stop when screw is tight. Failure to do so may result in stripping the screw

## Cam Lock Fastening System

This Cam Lock Fastening System will be used throughout the assembly process

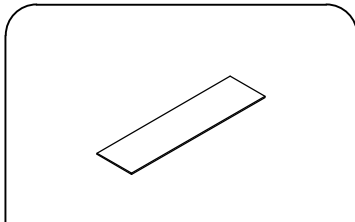


# Parts List



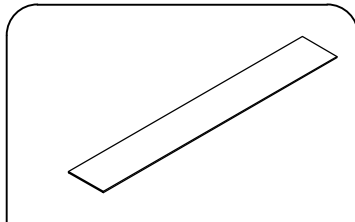
1

1PC



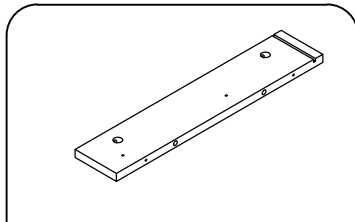
2

2PC



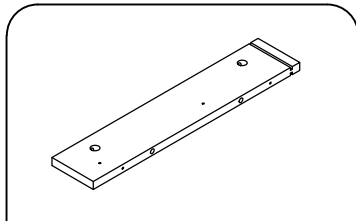
3

1PC



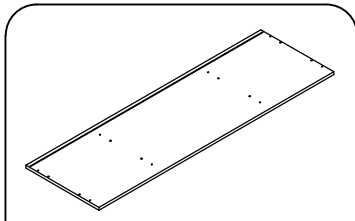
4

1PC



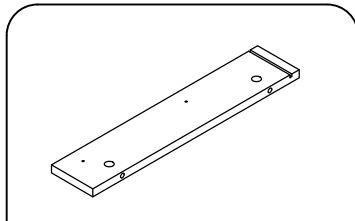
5

2PC



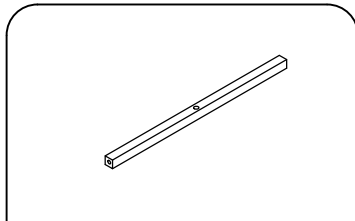
6

1PC



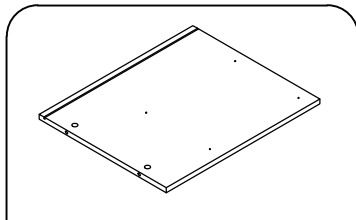
7

1PC



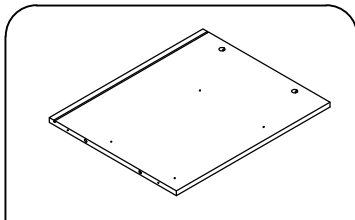
8

4PC



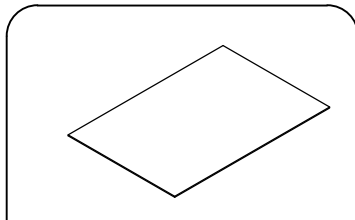
9

2PC



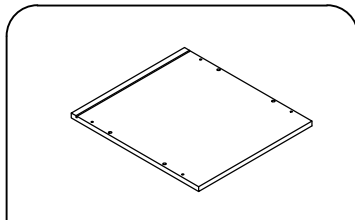
10

2PC



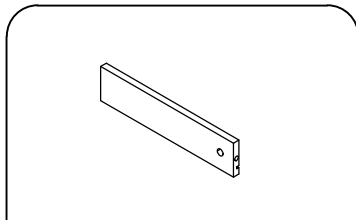
11

2PC



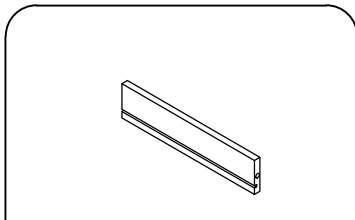
12

2PC



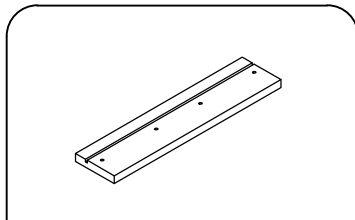
13

3PC



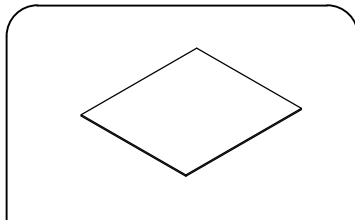
14

3PC



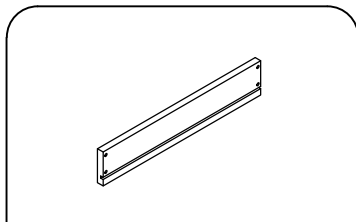
15

2PC



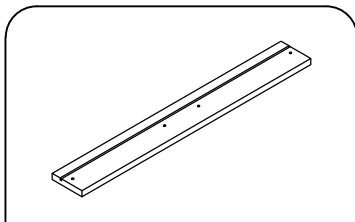
16

6PC



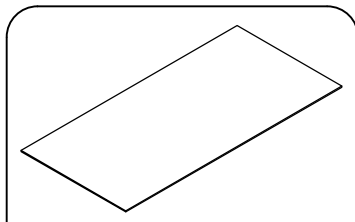
17

2PC



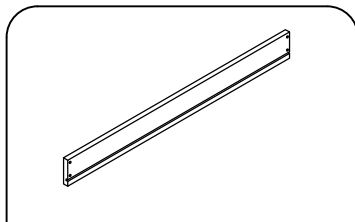
18

1PC



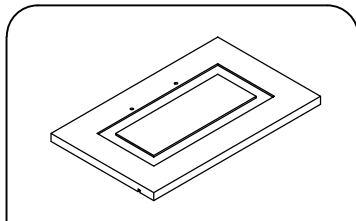
19

1PC



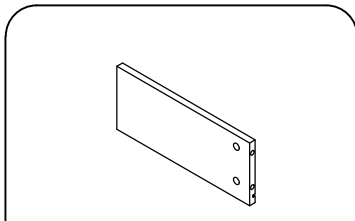
20

1PC



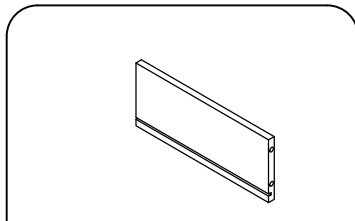
21

2PC



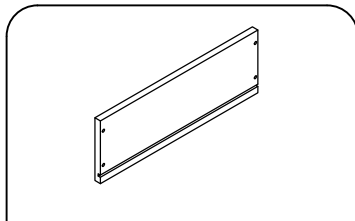
22

4PC



23

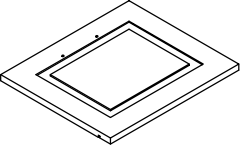
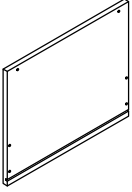

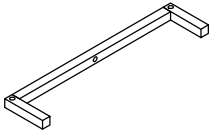
4PC




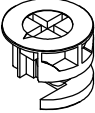

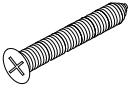
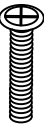



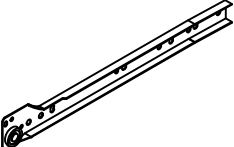
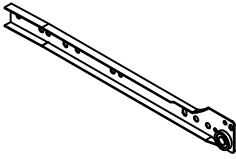
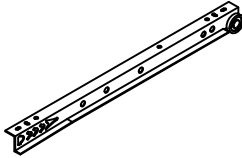
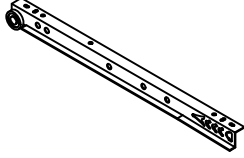
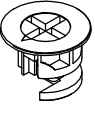
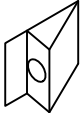

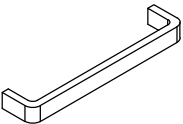
24

2PC


# Parts List

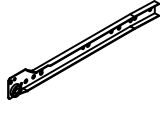
							
25	2PC	26	2PC	27	4PC	28	4PC

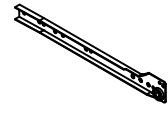
# Hardware List

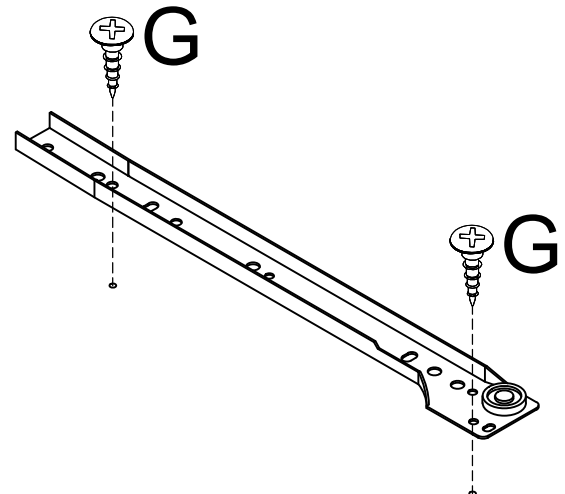
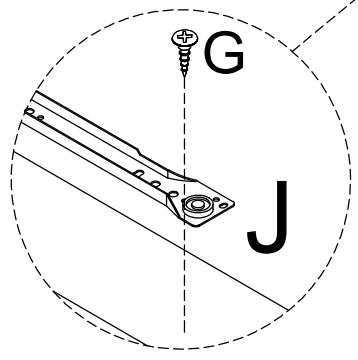
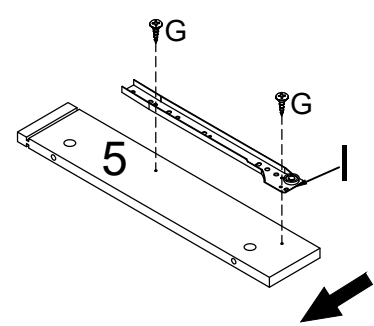
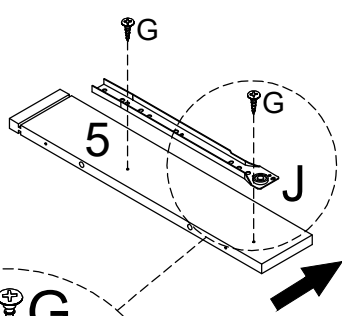
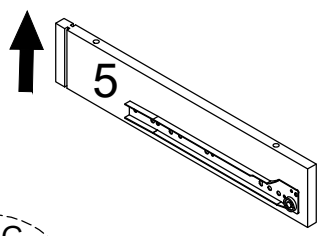
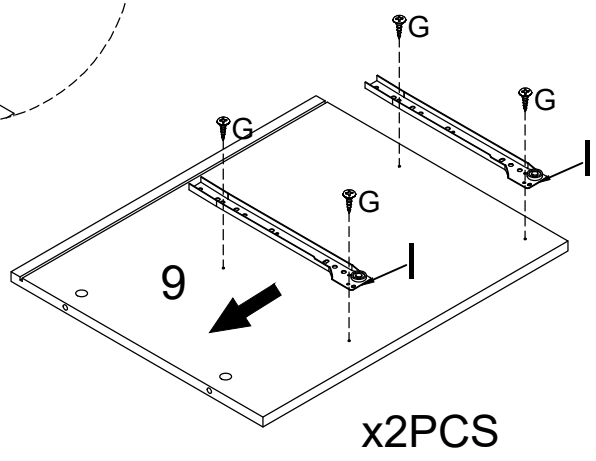
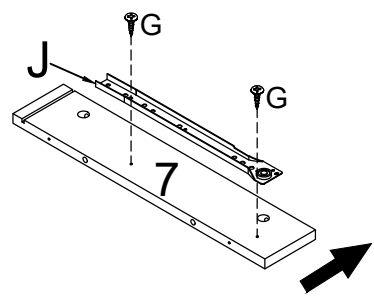
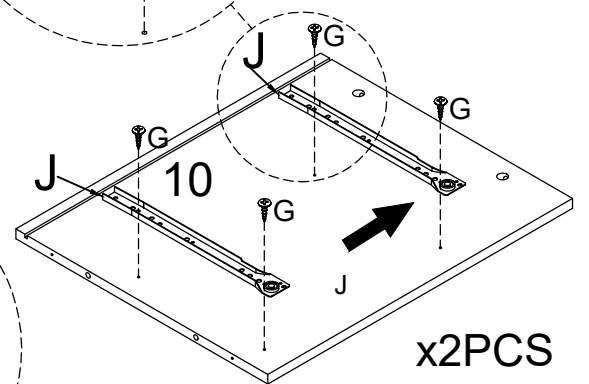
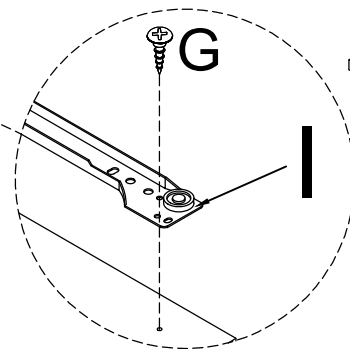
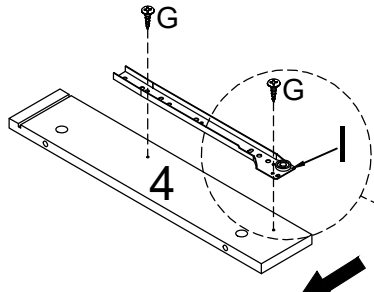
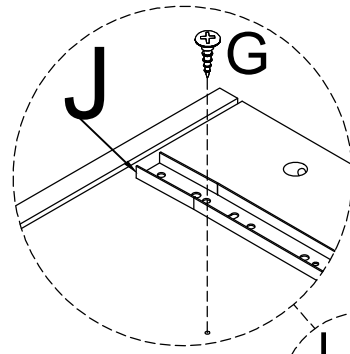
	 $\phi 15$						
A	38PC	B	16PC	C	16PC	D	44PC
							
M6*35MM	M6*25MM	$\phi 3*12mm$	M4*18mm				
E	8PC	F	8PC	G	56PC	H	14PC
							
I	7PC	J	7PC	K	7PC	L	7PC
 $\phi 12$							
M	22PC	N	8PC	O	8PC	P	7PC

# STEP 1

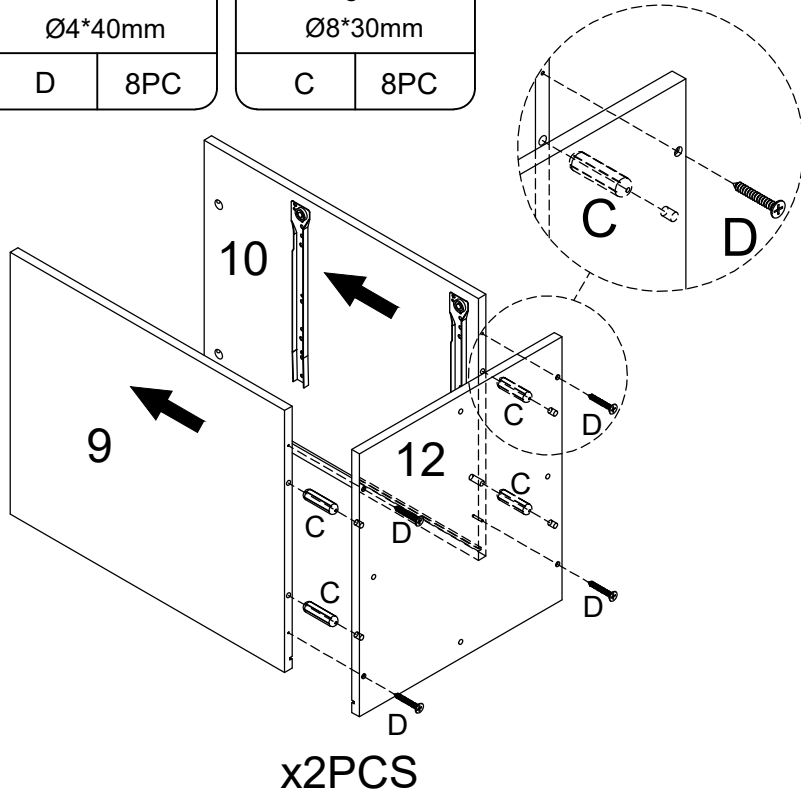
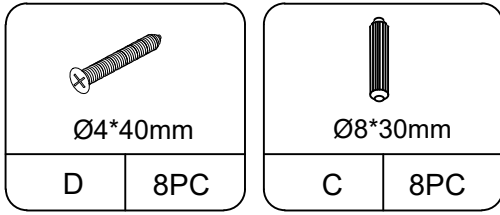
 ø3*12mm	
G	28PC

	
I	7PC

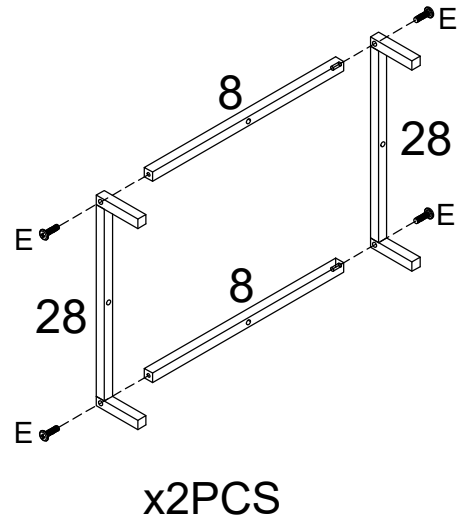
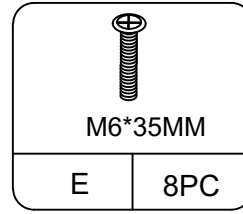
	
J	7PC



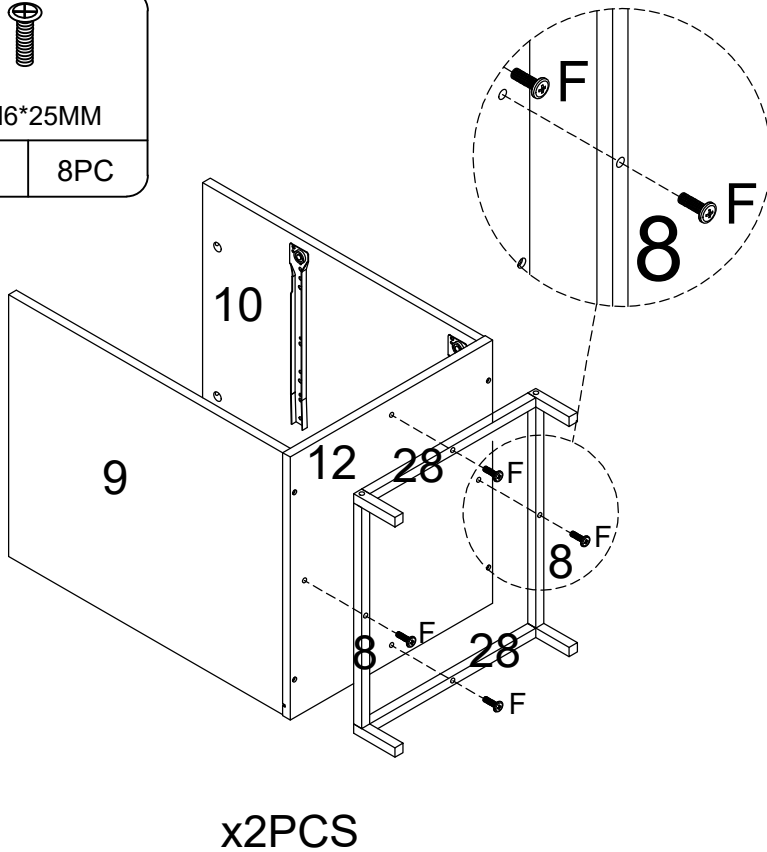
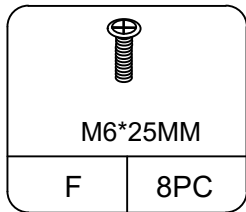
# STEP 2



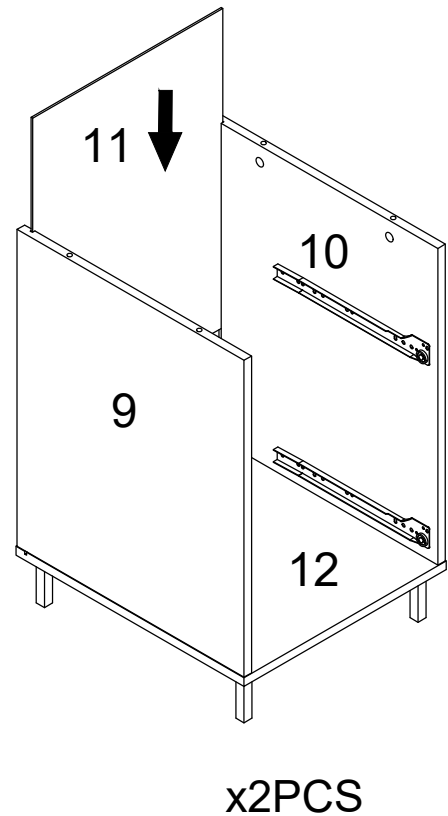
# STEP 3



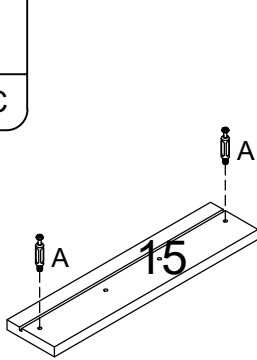
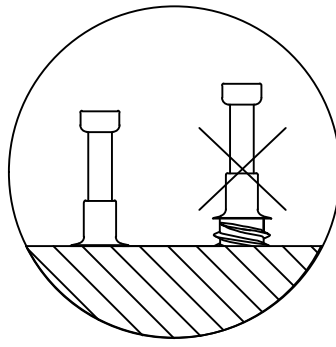
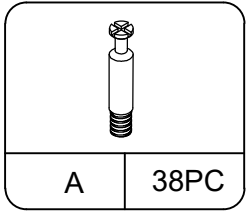
# STEP 4



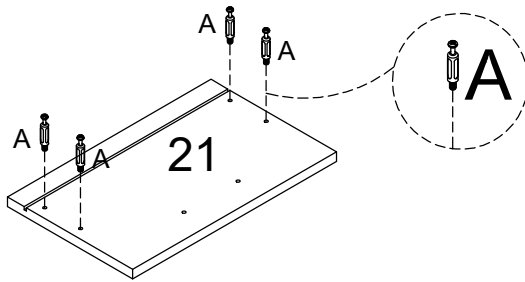
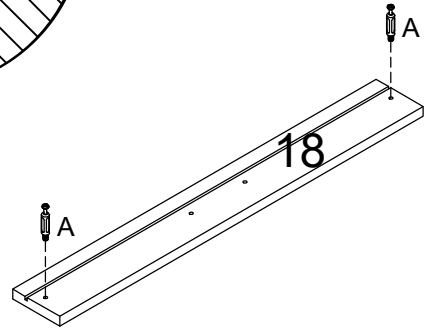
# STEP 5



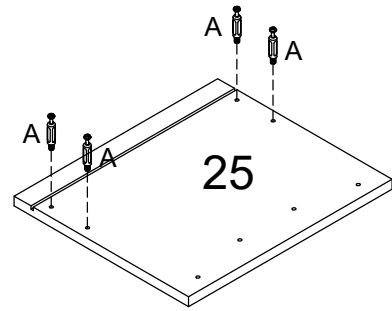
# STEP 6



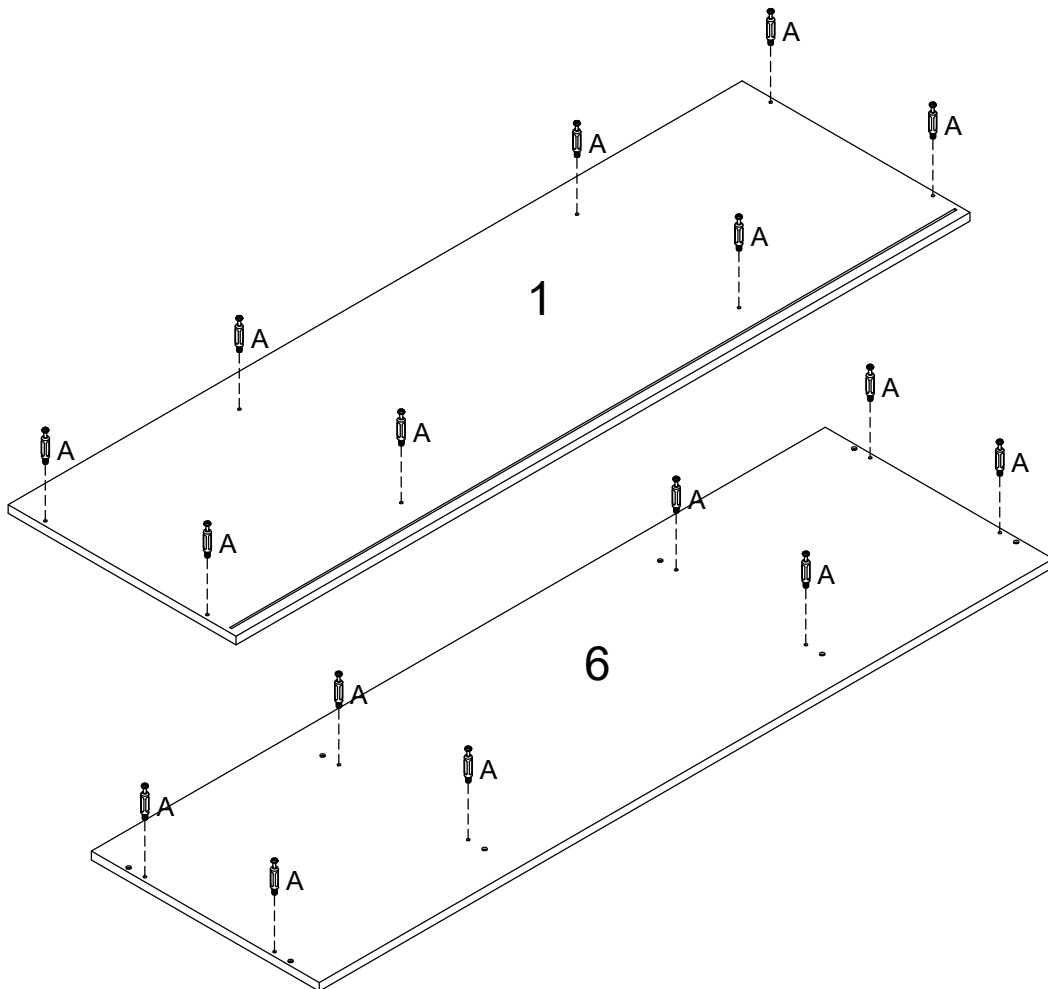
x2PCS




x2PCS



x2PCS

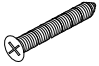


# STEP 7



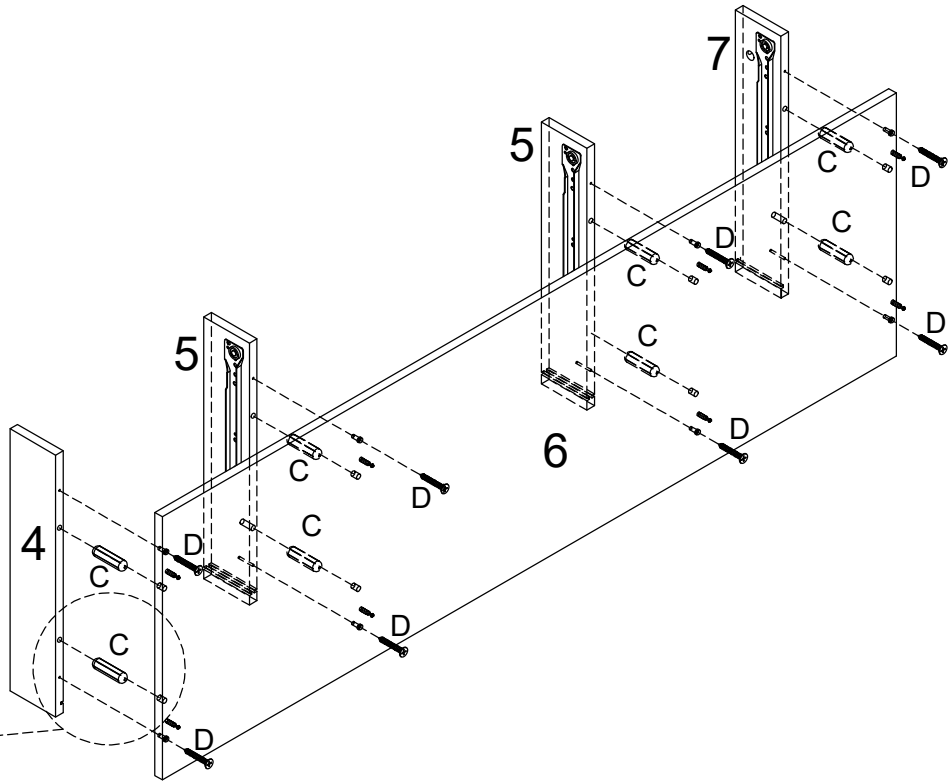
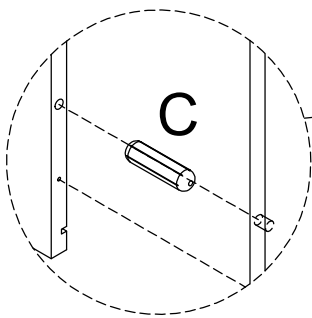
Ø8\*30mm

C	8PC
---	-----




Ø4\*40mm

D	8PC
---	-----

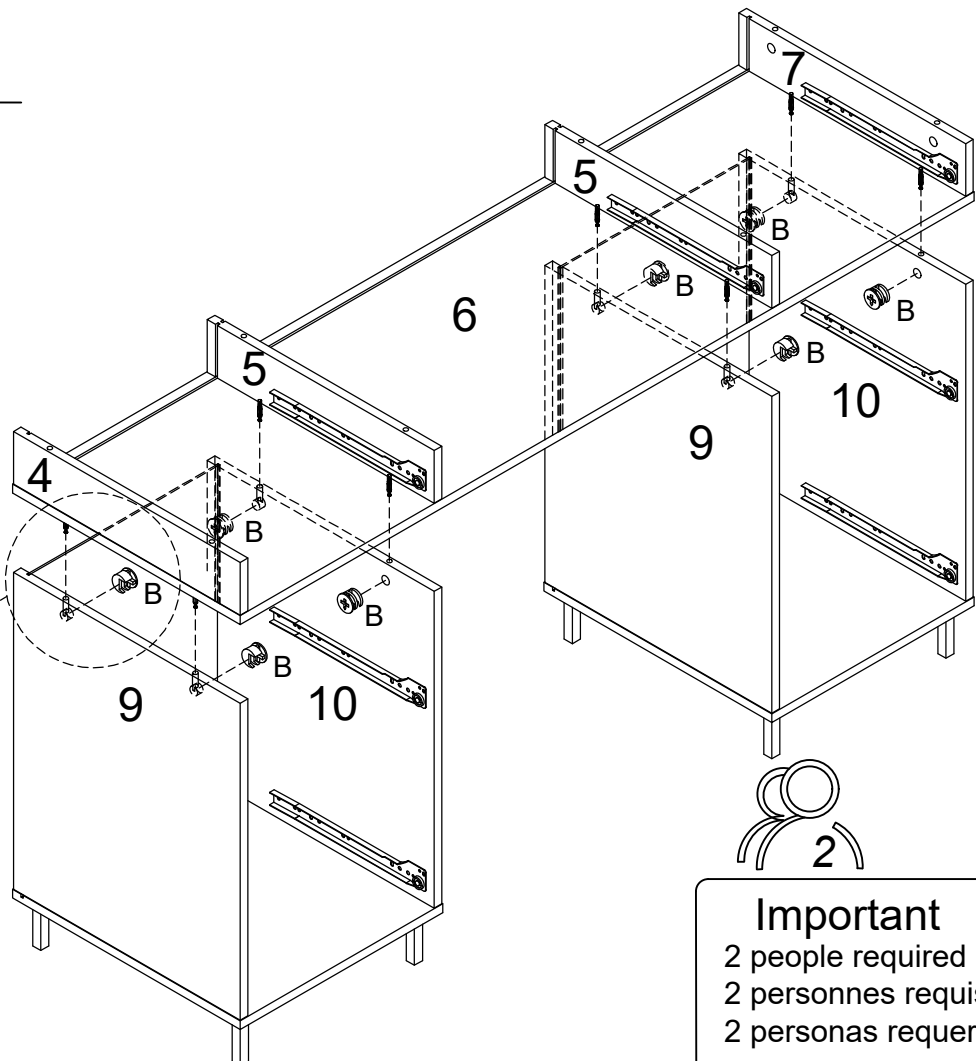
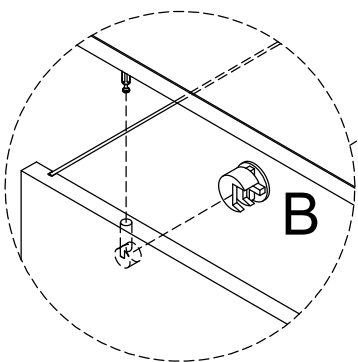


# STEP 8



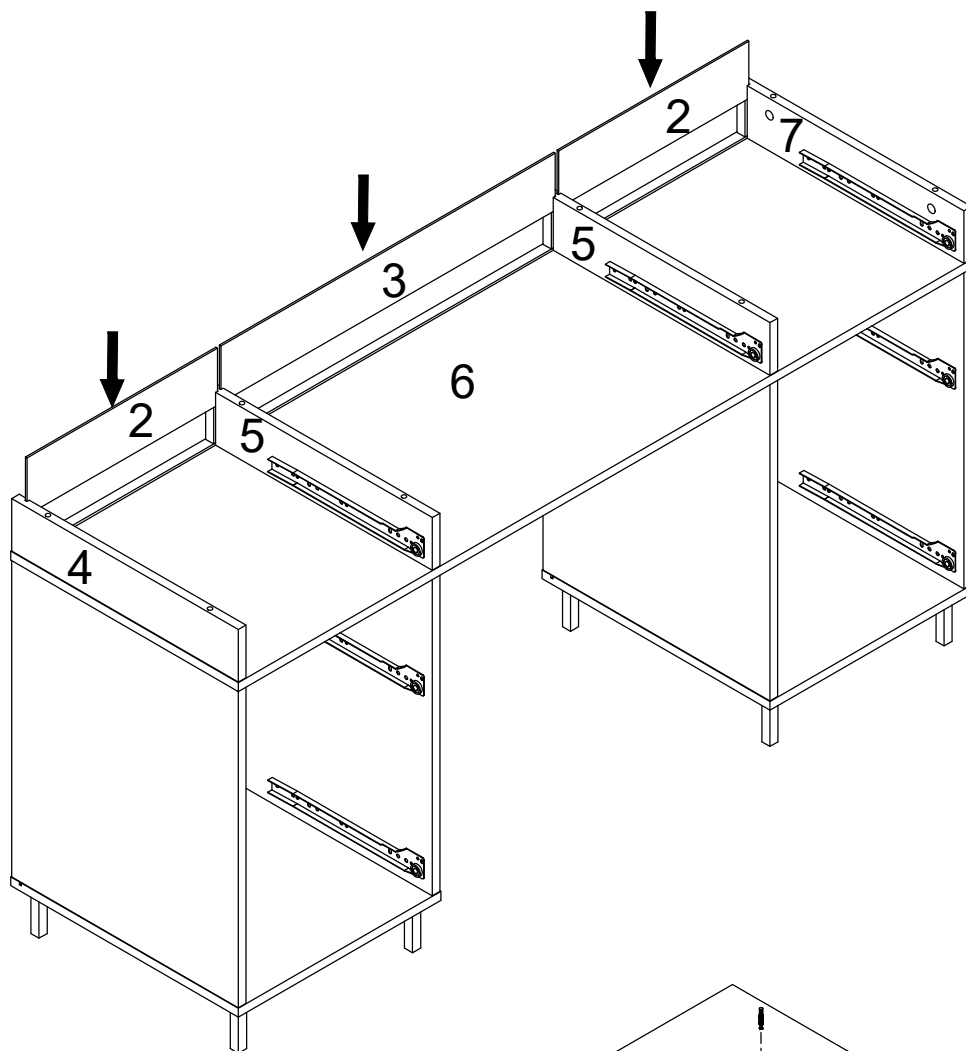
Ø15

B	8PC
---	-----

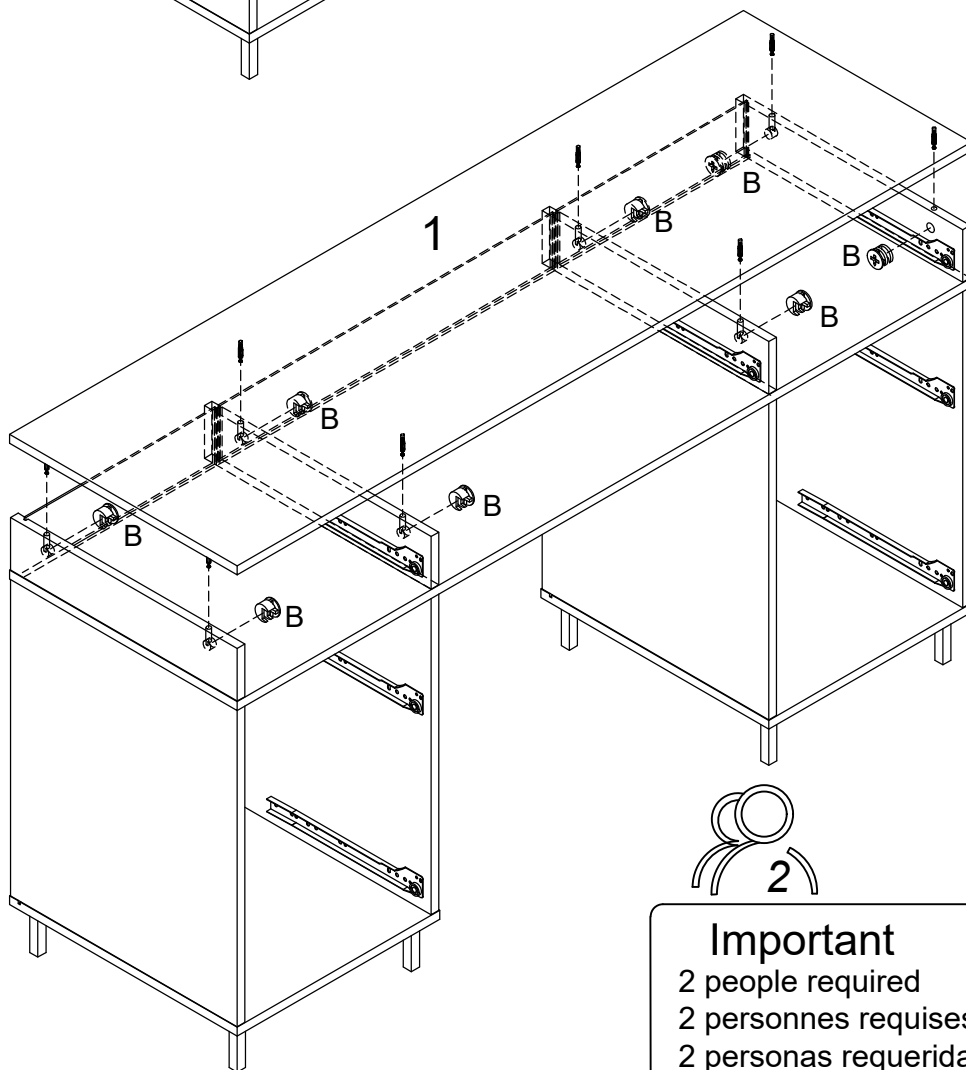
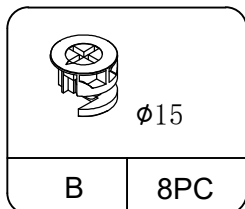


**Important**  
 2 people required  
 2 personnes requises  
 2 personas requeridas

# STEP 9

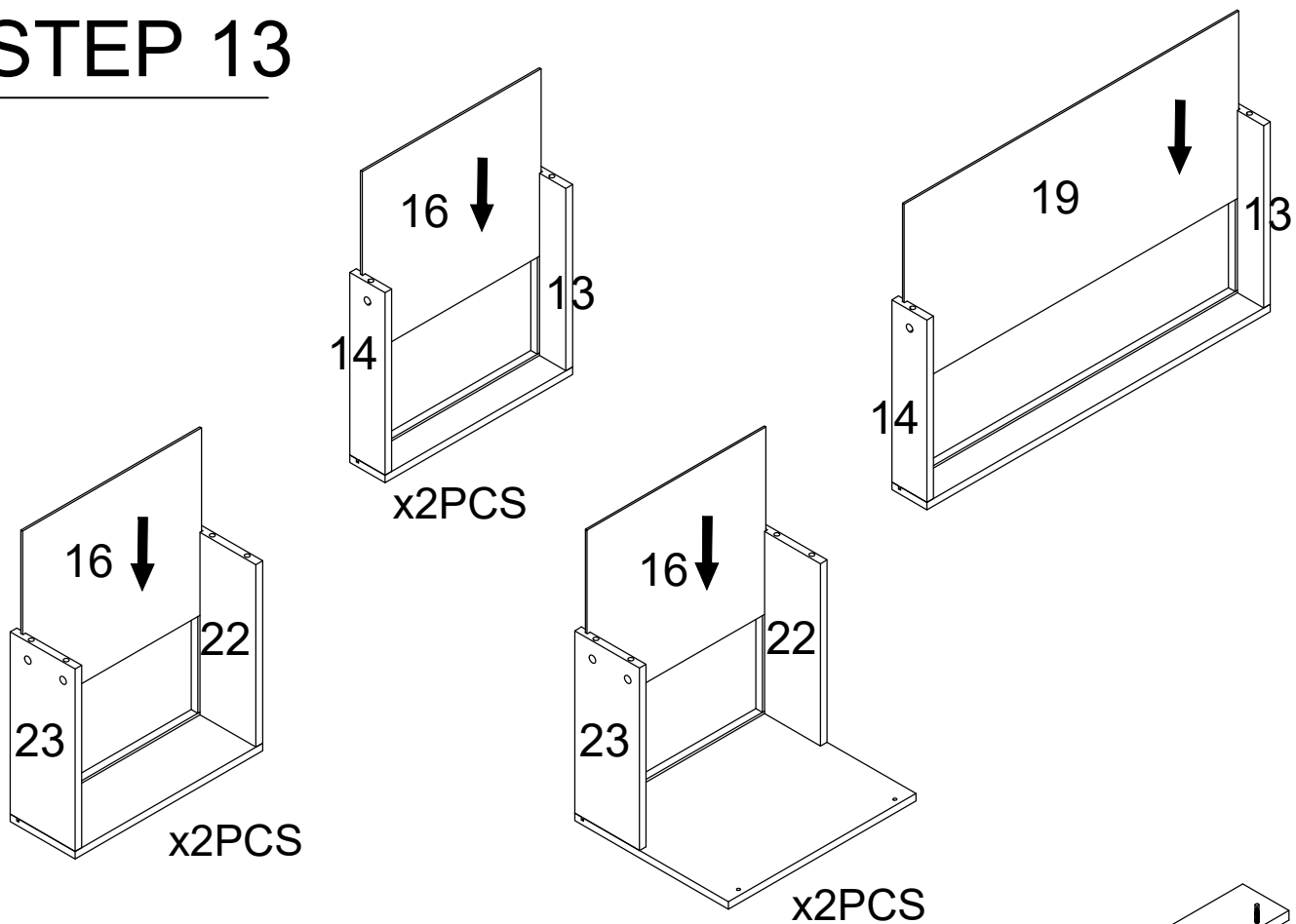


# STEP 10

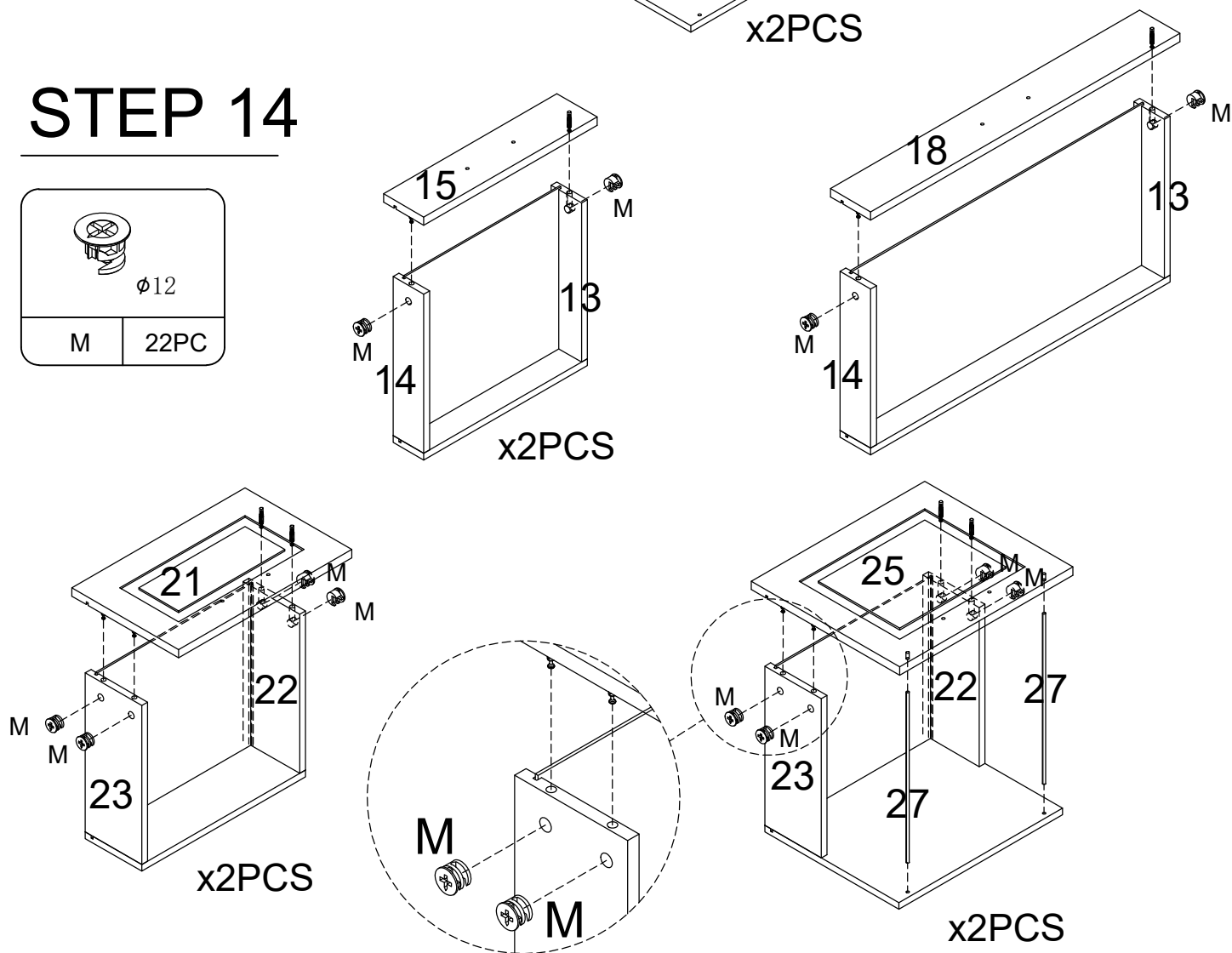
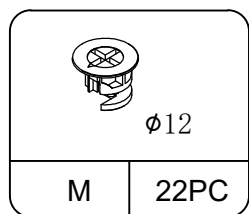





# STEP 13



# STEP 14

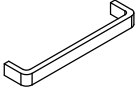


# STEP 15

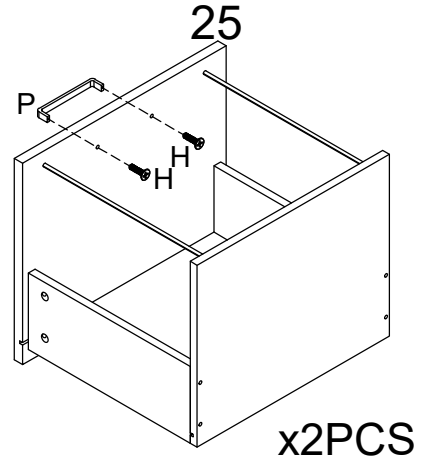
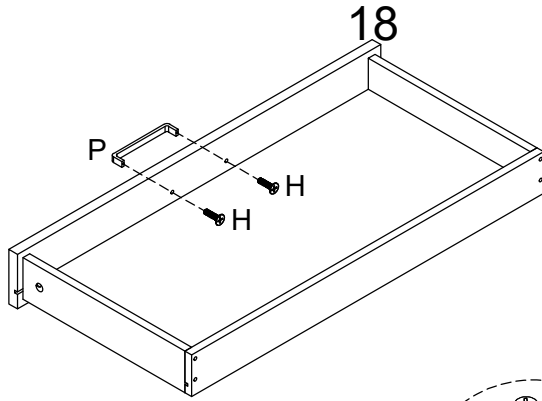
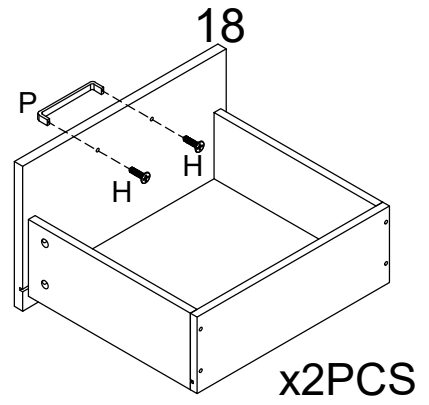
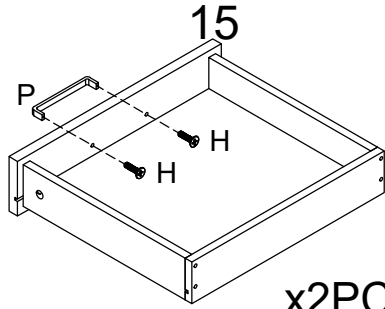


M4\*18mm


H	14PC
---	------



P	7PC
---	-----

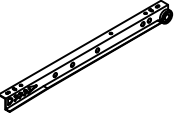


# STEP 16

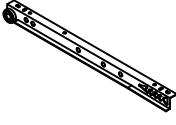


Ø3\*12mm

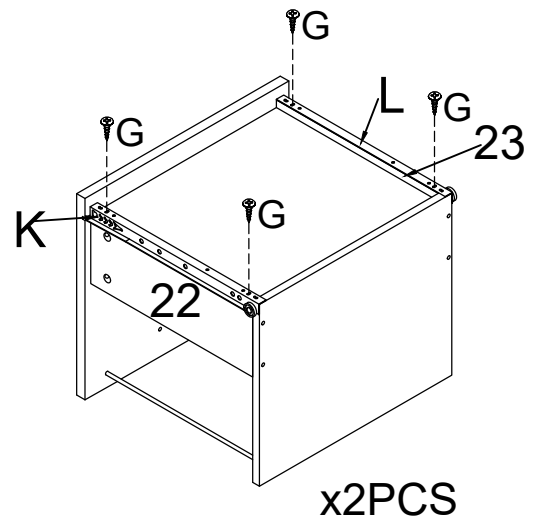
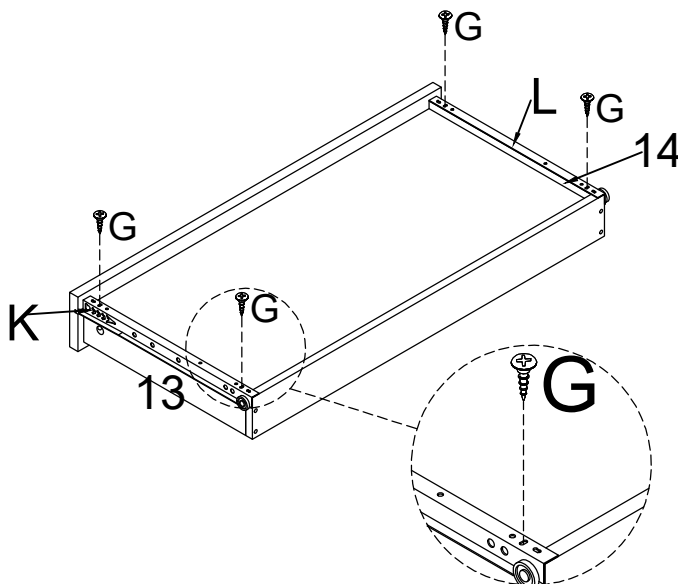
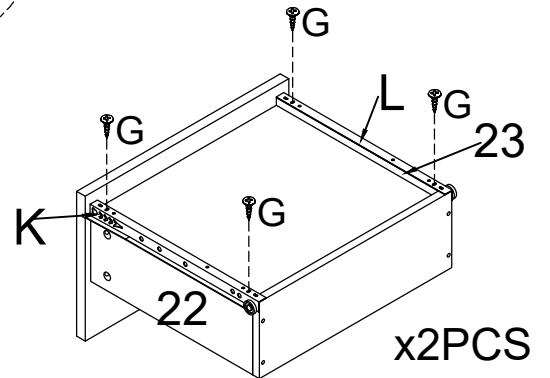
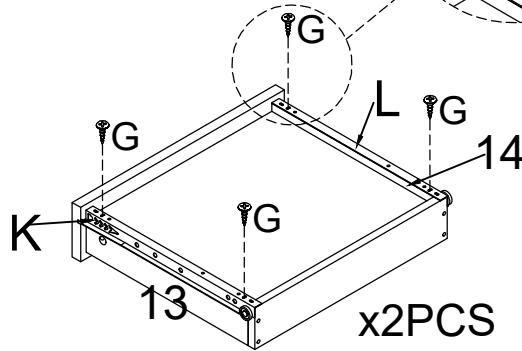
G	28PC
---	------



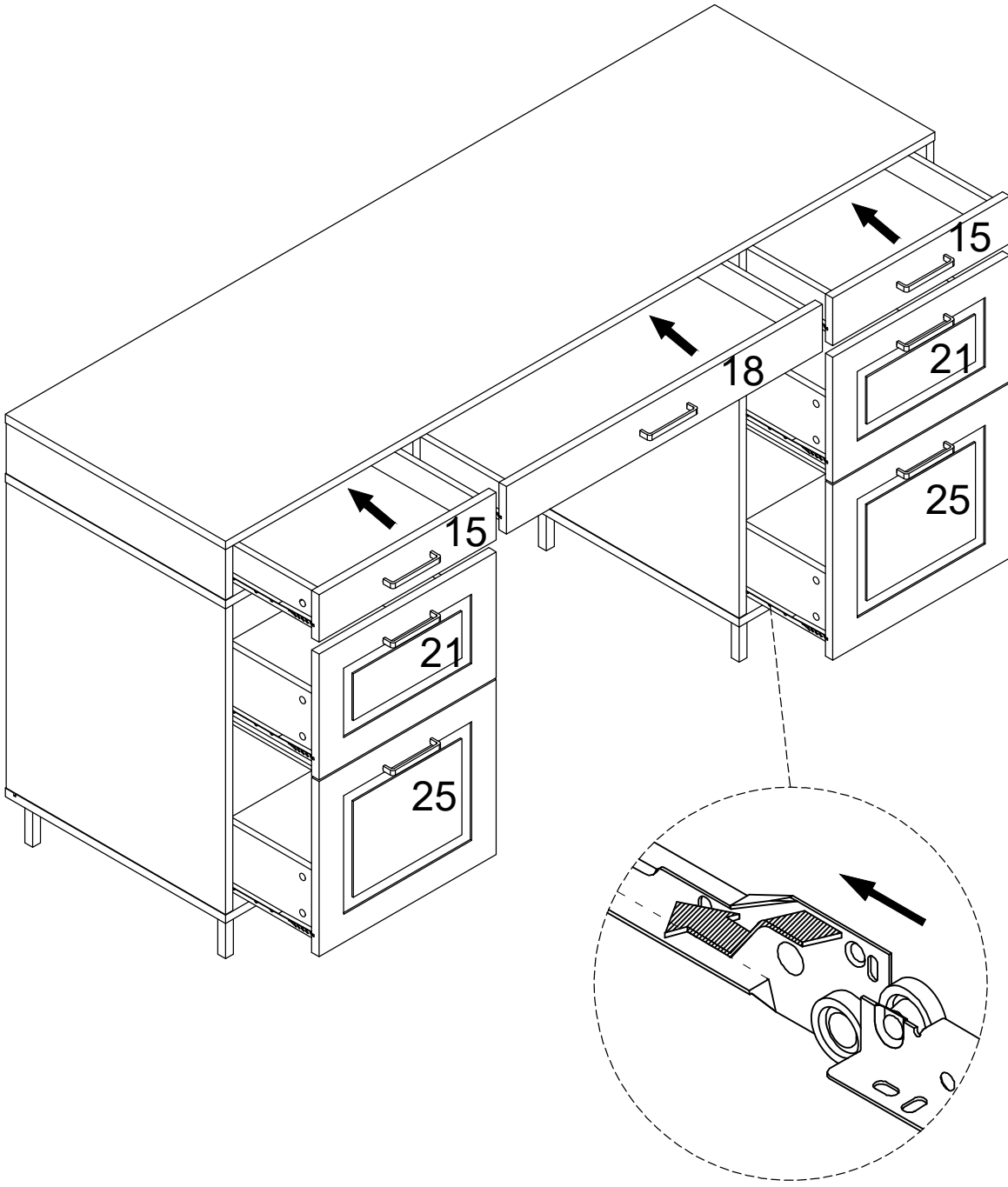
K	7PC
---	-----



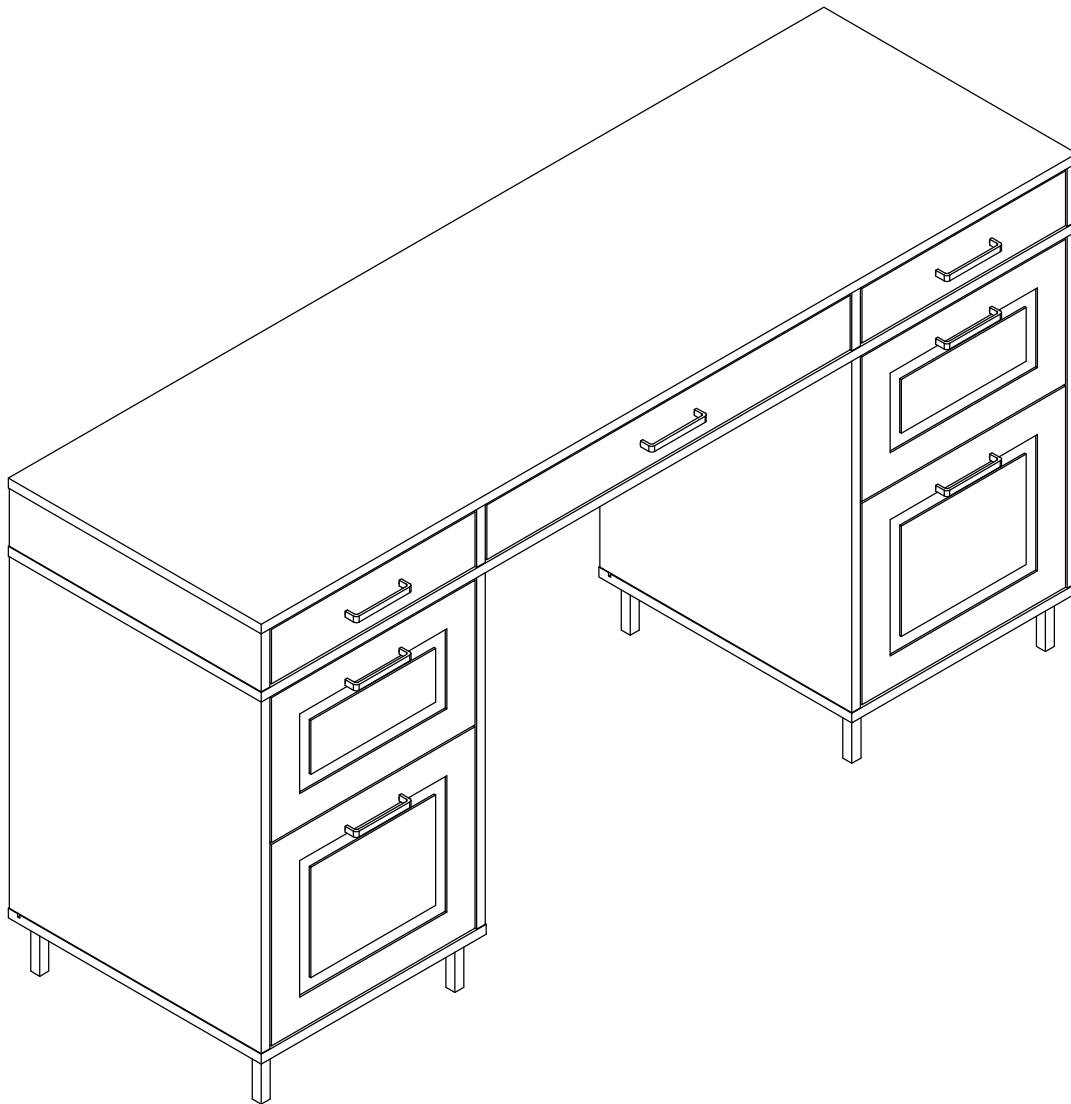
L	7PC
---	-----



# STEP 17



# STEP 18



Please Make sure every screw is locked