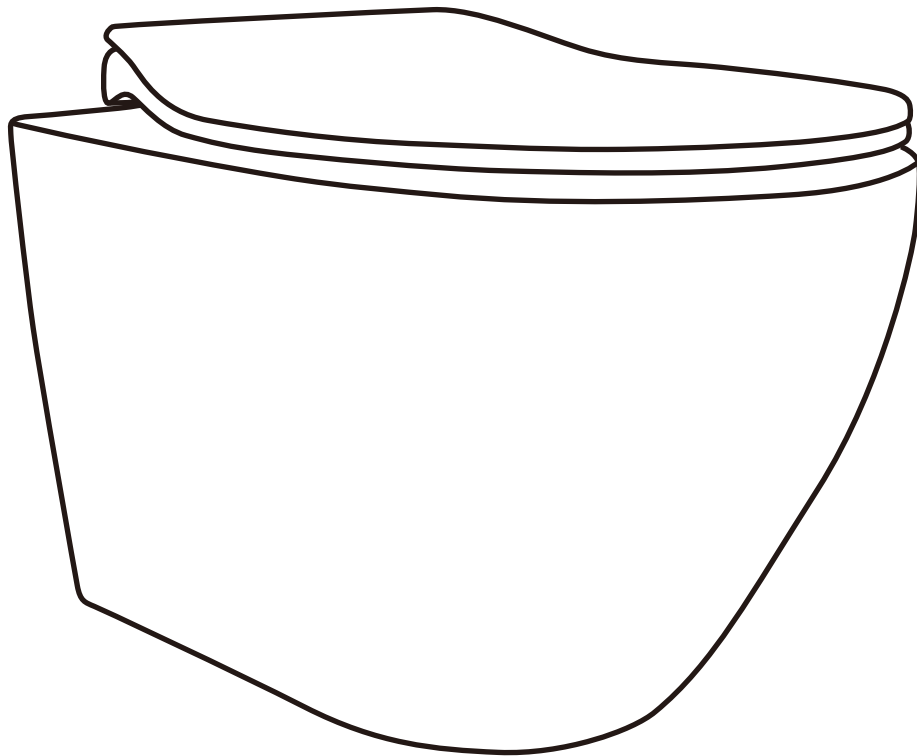


Installation Manual

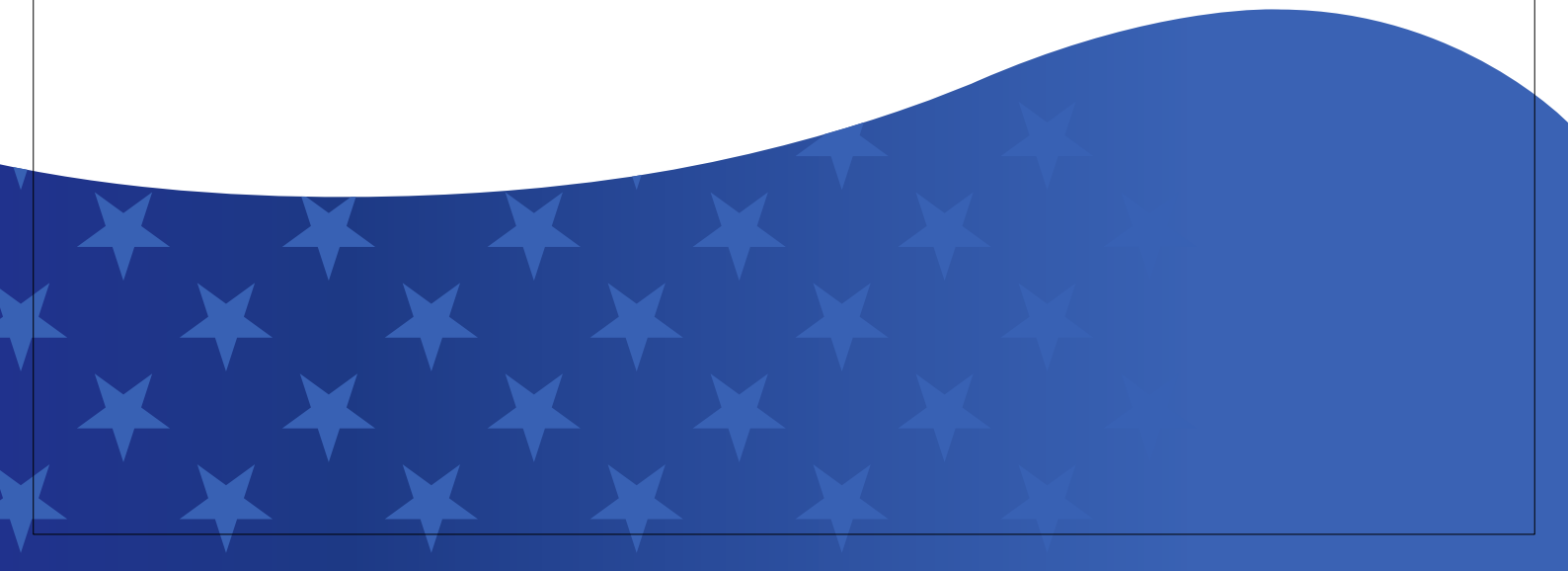


Wall-Hung Bathroom Toilet

Applicable Model: RX-T39W, RX-T40W, RX-T41W

INDEX

1. Installation Preparation	P01
2. Installation Instruction	P02-04
3. Maintenance	P05-06



WALL HUNG TOILET INSTALL GUIDE

SUGGESTED TOOLS AND MATERIALS



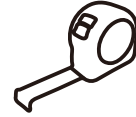
Safety Glasses



Putty Knife



Wrench



Tape Measure



Level



Flexible Supply Tube



Hacksaw



Screwdriver

PARTS LIST

- Wall hung toilet, soft-close toilet seat, toilet installation kit, installation instructions.

The step-by-step guide in the installation instructions is a general reference for installing a wall-mounted toilet. We recommend hiring a professional to install the product.



1. Read the complete instruction manual before beginning installation.

2. Confirm that your model will fit in intended location and plumbing fixtures are located where legally required before beginning installation.



3. Not all drawings on this manual are drawn to scale. Please refer to the model chart.



4. Two people are recommended to install and move this product.

5. Product is FRAGILE! To avoid breakage and possible injury handle with care.

NOTE: Specialized tools may be necessary to install DeerValley Wall Hung Toilet.

WALL HUNG TOILET INSTALL GUIDE

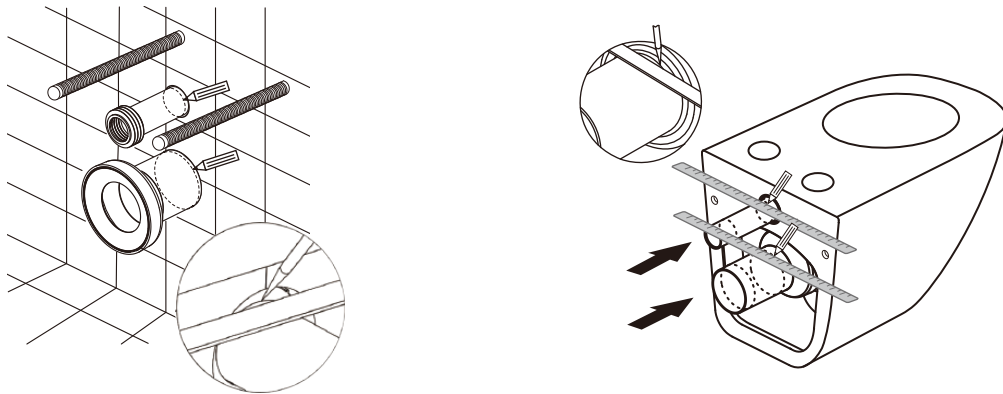
1. TOILET TANK CARRIER SYSTEM INSTALLATION

- The in-wall tank carrier system (**SOLD SEPARATELY**) is required to be installed before the toilet bowl installation.
- The straight pipe and the connecting pipe are included with tank carrier system (**SOLD SEPARATELY**).

2. TOILET INSTALLATION

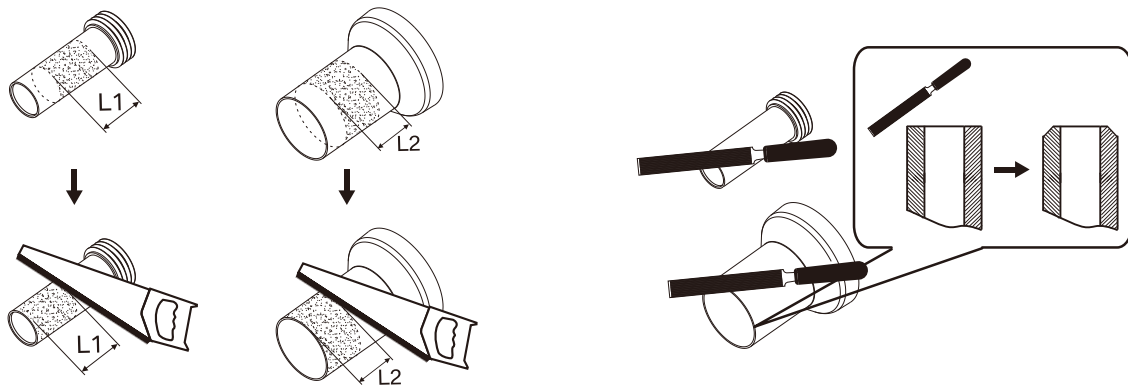
(1) Dry Fit Outlet Pipe and Inlet Pipe

- Firmly insert the straight pipe into the cistern flushing outlet and then insert the connecting pipe into the discharge outlet on the wall. Draw lines to mark as the following picture shows.
- Apply lubricant on the straight pipe and the connecting pipe and then fully insert these two pipes into the toilet bowl. Draw lines to mark as the following picture shows.



(2) Cut the Extra Length of the Pipe

- Measure the distance between the two marks on the straight pipe and the connecting pipe.
 - Take measured distance, and deduct from the bald end of the pipe and cut pipes as the following picture shows.
 - After cutting, take a file and remove all burrs.
- L1: The distance from the two marks on the straight pipe.
L2: The distance from the two marks on the connecting pipe.

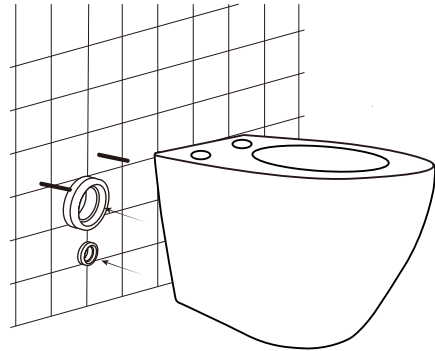
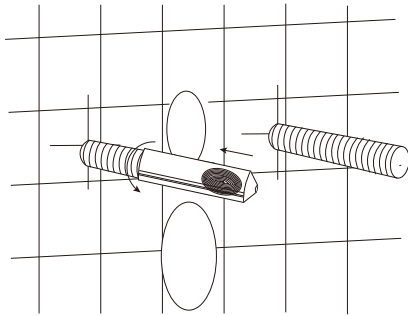
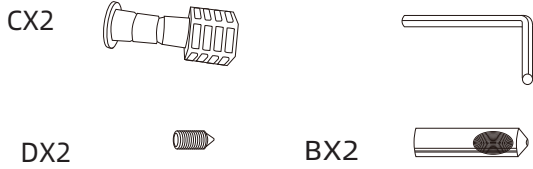


NOTE: Drawings may not exactly define contour of the product.

WALL HUNG TOILET INSTALL GUIDE

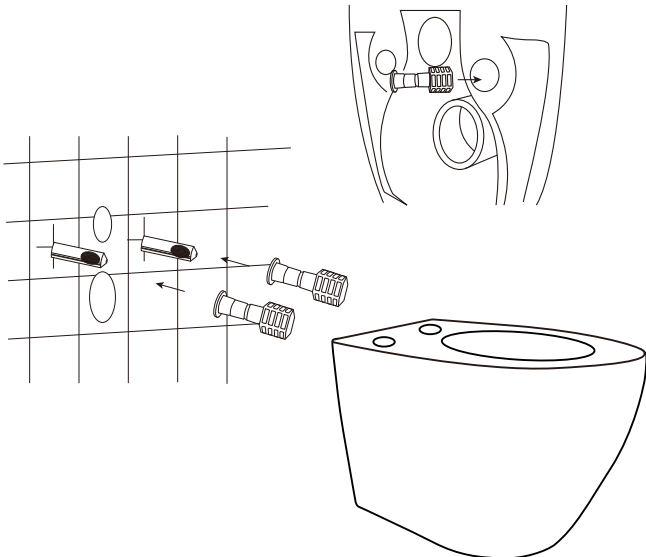
(3) Install the Toilet Bowl

- Install the straight pipe and the connecting pipe on the wall.(Fix the part B into the screw).
- Install the toilet bowl to the wall.



(4) Level the Toilet & Apply the Sealant to Seal

- Use a level to measure the toilet and make sure it is level.
- Fill any gaps with cement or sealant and wait for 24 hours. Do not remove the side panels for at least 24 hours after installing them. This will allow the adhesive to fully adhere to the vitreous surface.



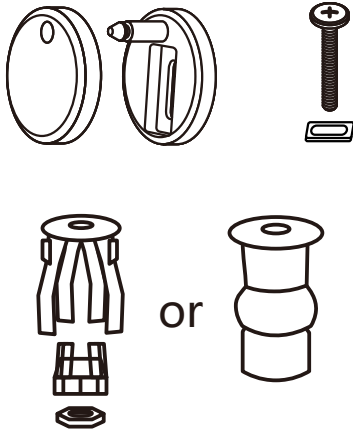
NOTE: Drawings may not exactly define contour of the product.

WALL HUNG TOILET INSTALL GUIDE

3. TOILET SEAT INSTALLATION

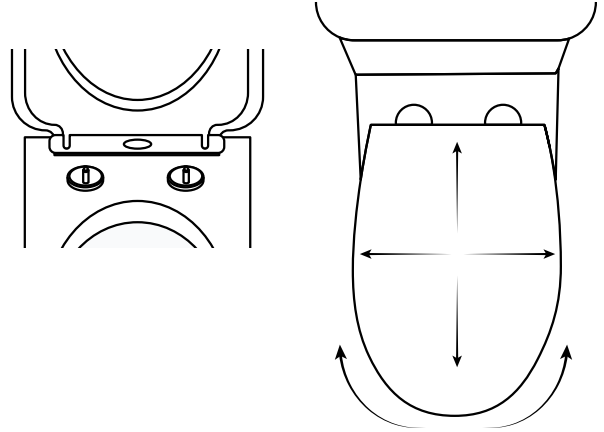
(1) Accessories

Unwrap the toilet seat installation package.



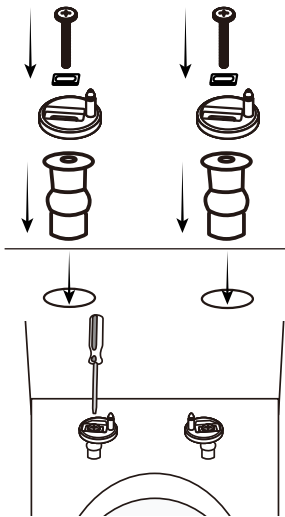
(3) Adjust the Seat Position

Plug the toilet seat in and adjust the position properly.



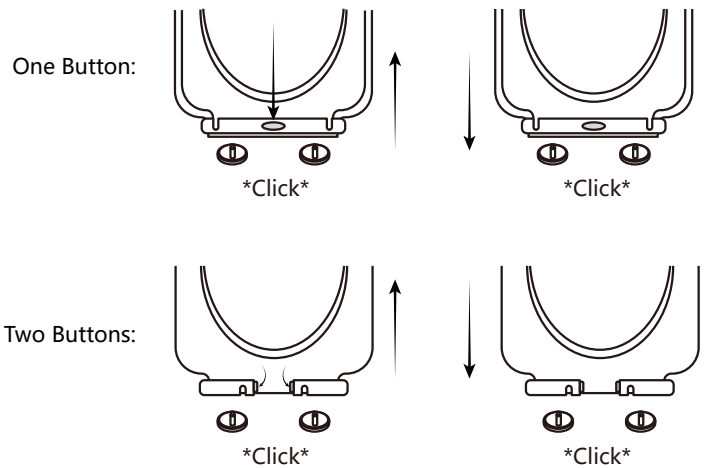
(2) Install Accessories

Install the seat cover cap and hinge, then fasten the screws slightly and adjust the angle of the pins on the hinge.



(4) Install the Seat

Confirm the position of the toilet seat and take it out, fasten the screws and put the hinge caps on, then install the toilet seat.



NOTE: Drawings may not exactly define contour of the product.

WALL HUNG TOILET INSTALL GUIDE

CARE AND MAINTAINANCE

DO NOT

1. Do not stand on the toilet cover, and do not place heavy objects on it. (Or else it may cause crack)
2. Do not clean the toilet seat with household cleaners, volatile, thinner and eradicator, or use nylon brush, and avoid cholorine-containing, corrosive and a brasive cleaners. Maintain the shiny surface by using soft fabric and clean water. (Or else it may cause abrasion or crack)
3. Do not let child play the toilet cover, to avoid hurting fingers and other accident.

DO

1. Clean or wash it with neuter cleaners (such as soap powder). And then dry it with clean fabric.
 2. Open and close toilet seat cover tenderly. Toilet seat and cover both have the function of slow closing.
 3. Wipe outside of the toilet gently with a damp cloth and blot dry with a soft towel. Make sure that the complete surface is cleaned and completely dry.
- NOTE: IMPROPER CARE MAY CAUSE THE WARRANTY TO BECOME INVALID.

WALL HUNG TOILET INSTALL GUIDE

SERVICE AND SUPPORT

If any defects in materials or workmanship are discovered during normal use within six months of installation, we will provide replacement parts free of charge, subject to normal installation, use, repair or maintenance.

This warranty applies to: Original purchaser only, proof of purchase is required when making a claim.

We recommend that all toilet installations be performed by a professional (a licensed professional plumber or contractor).

We will not be responsible for any damage or product failure caused by improper installation, misuse, or failure to hire a licensed professional for installation. We are not responsible for any installation or removal costs.

The half-year limited warranty will be void if:

- Installer failed to follow installation recommendations
- The product has been moved from its original installation location
- The packaging condition of the product has been modified in any way
- The product has been subject to improper maintenance, abuse, misuse, excessive use of chemicals, accidents or other damage.

This toilet does not imply that the product complies with any local building or plumbing requirements

code. It is the consumer's responsibility and obligation to determine compliance with local regulations before and during installation.

If you have any questions or concerns, please contact us directly:

Contactus@rainlex-store.com