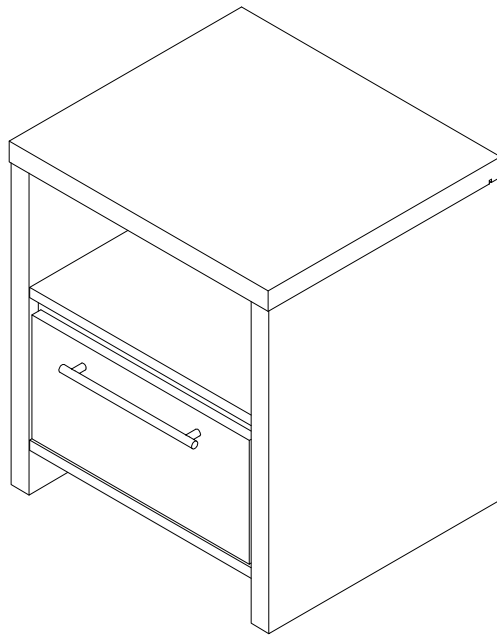


# NIGHT STAND



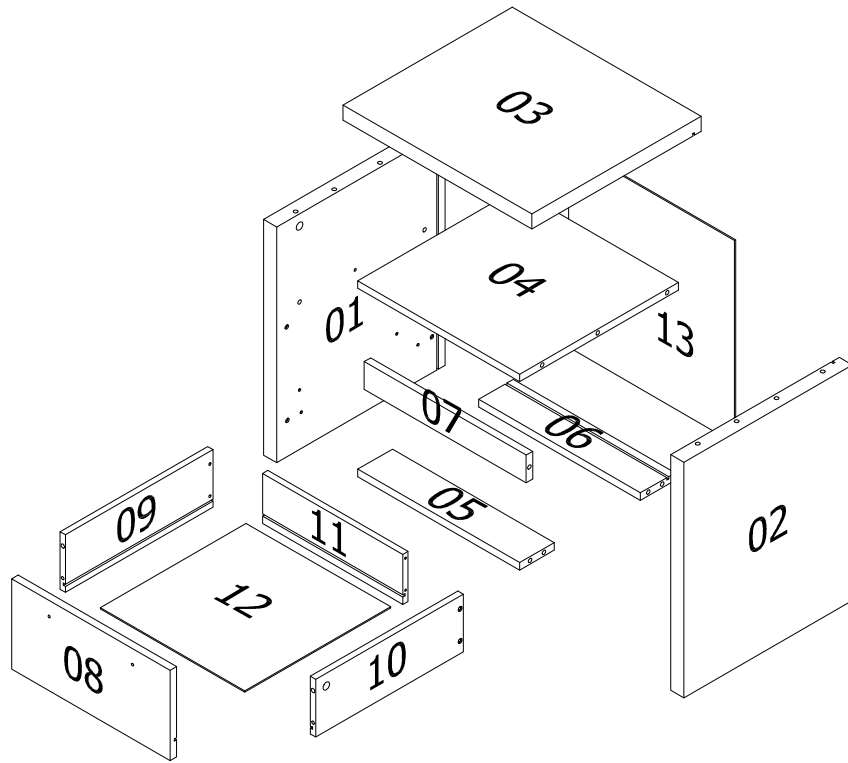
## **Top Tips before you start!**

1. Please check that all parts are present before you start the assembly of your furniture.
2. For ease and speed of assembly, we recommend that before you commence each step of the assembly, that you identify all the parts required for that step.
3. For a larger item, please ensure that you have sufficient space and people (as indicated on page 2) to assemble your product safely.
4. We recommend that, where possible, all items are assembled near to the area in which they will be placed in use, to avoid moving the product unnecessarily once assembled.
5. For the protection of your furniture, we recommend that the product is placed on a protected surface during assembly to prevent any damage.
6. During assembly please take care not to over-tighten any fittings, as this may damage the product.
7. Always place the product on a flat, steady and stable surface.
8. Do not sit or stand on the product. Do not use the product as a stepladder.
9. This product is intended for indoor and household use only as it is non industrial product.
10. This product is constructed from re-inforced hollow board. Excessive pressure causes irreparable damage. Please do not kneel on any part of this product during assembly.

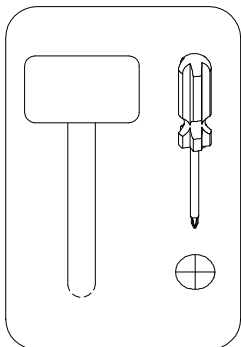
## **Case and Maintenance of your Furniture**

- Please periodically check all fittings and re-tighten as necessary.
- To clean your item, please use a damp cloth and wipe clean.
- Never allow any kind of liquid to remain on your furniture. Absorption can cause wood to warp or finishes to de-laminate.
- Please do not place hot items (e.g. hot drinks) directly onto the wood surface.
- Please do not drag and pull your furniture.

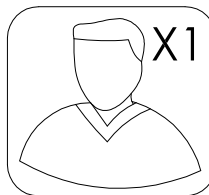
# PART LIST



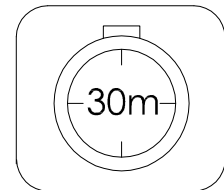
## REQUIRED ASSEMBLY TOOLS



## 1 PERSON ASSEMBLY



## APPROXIMATE ASSEMBLY TIME



## HARDWARE LIST

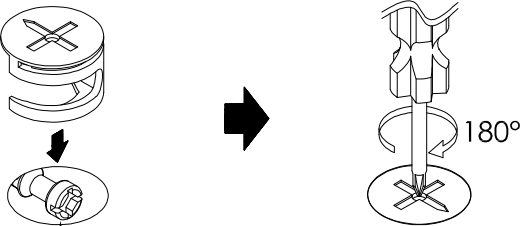
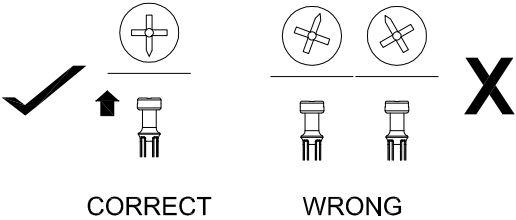
A		SCREW (M4.5 X 32)	4	K		PLASTIC BAR HANDLE (192mm) WITH SCREW M3.6 X 22mm(2PCS)	1 SET
B		SCREW (M3.5 X 15)	4	L1		DRAWER SLIDE CR (350mm)	1
C		SCREW (M3.5 X 12)	4	L2		DRAWER SLIDE CL (350mm)	1
D		EURO SCREW (M6 X 9)	4	M1		DRAWER SLIDE DR (350mm)	1
E		WOOD DOWEL (6 X 20)	2	M2		DRAWER SLIDE DL (350mm)	1
F		WOOD DOWEL (8 X 25)	15	N		PLASTIC LEG STUD	4
G		BOLT-9607 PARALLEL NECK DOWEL 24X8.5MM	12	P		BACKPLY STOPPER	4
H		CAM-9499 CAM 3000 15 X 12	10	Q		GLUE	1
J		CAM-9642 CAM 3000 12/13MM	2				

# SPECIAL TIPS FOR FITTING CAM-LOCKS AND QUICKFIT

## CAM-LOCK

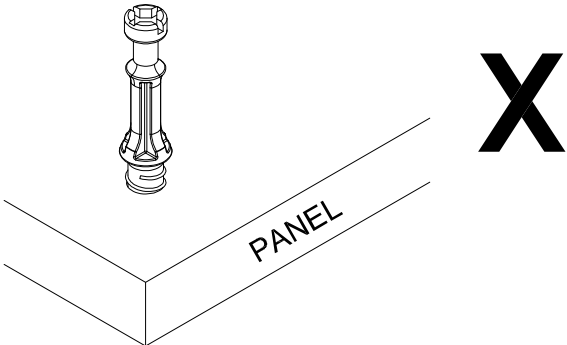
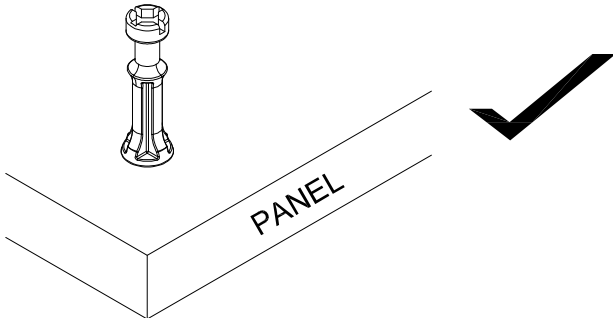
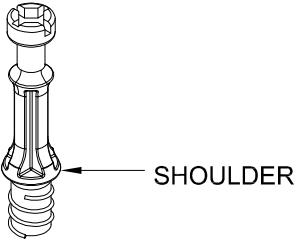


WHEN FITTING CAM-LOCK  
ENSURE STARTING POSITION IS CORRECT  
BEFORE YOU INSERT CONNECTING  
QUICKFIT.  
TURN CLOCKWISE UNTIL SECURED.

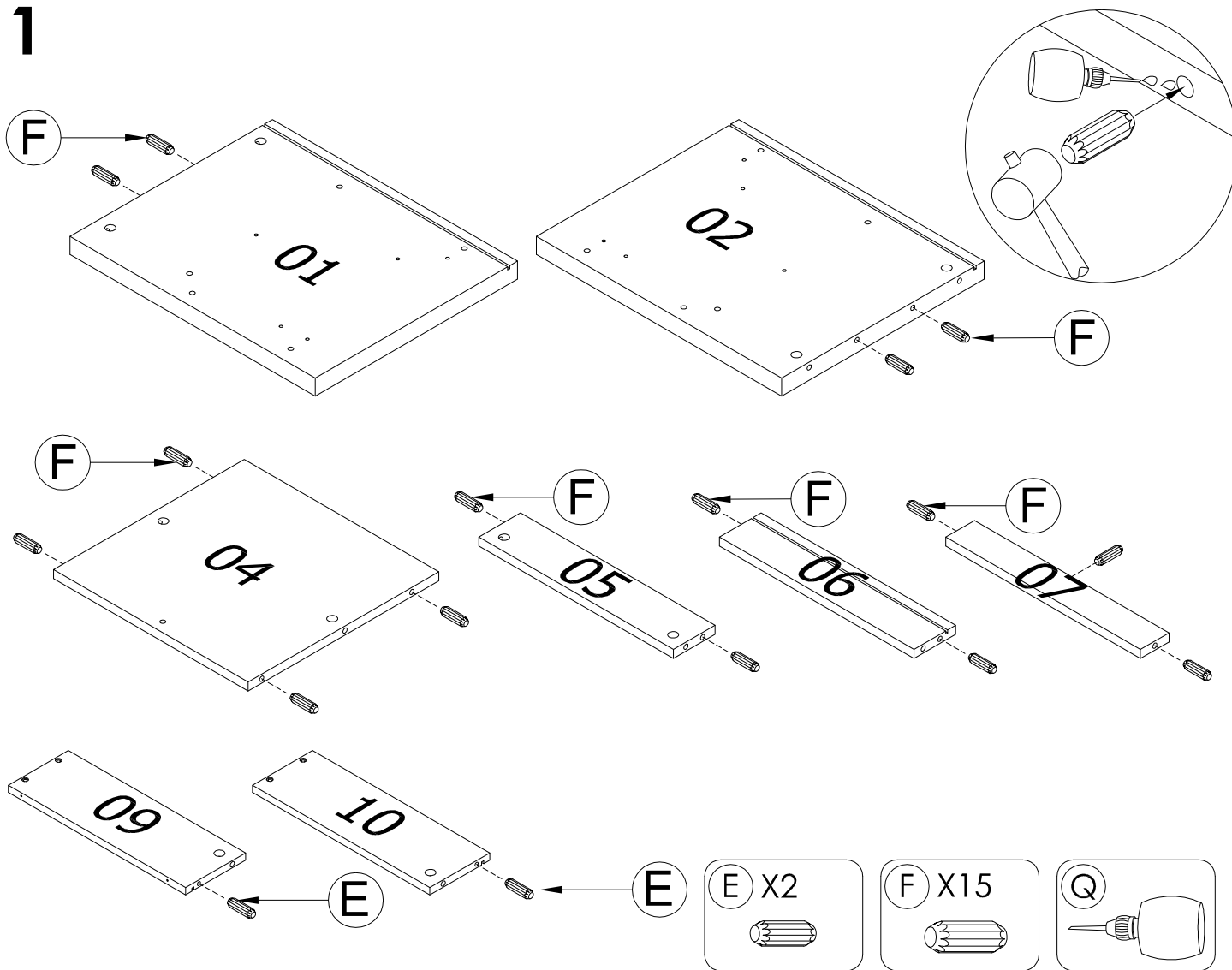


QUICKFIT HEAD NEEDS  
TO BE AT THE CENTRE

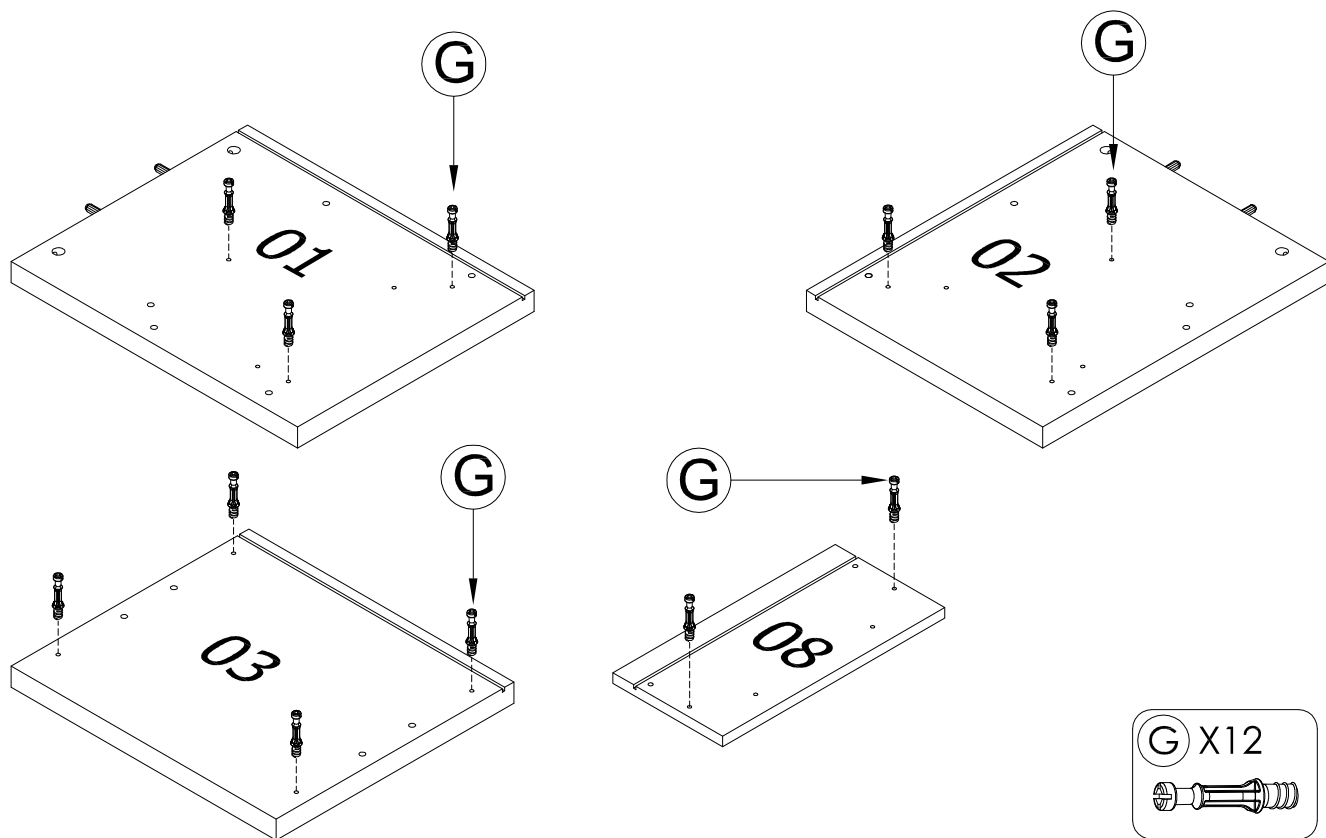
QUICKFIT  
TIGHTEN UNTIL SHOULDER IS FLUSH WITH PANEL.  
DO NOT OVER TIGHTENED OR UNENLIGHTENED  
(SEE EXAMPLE BELOW)



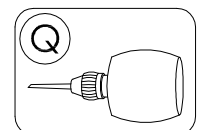
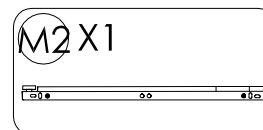
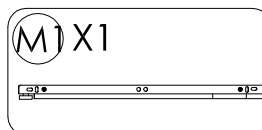
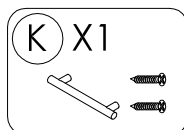
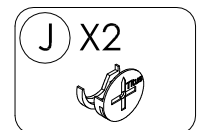
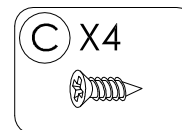
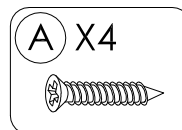
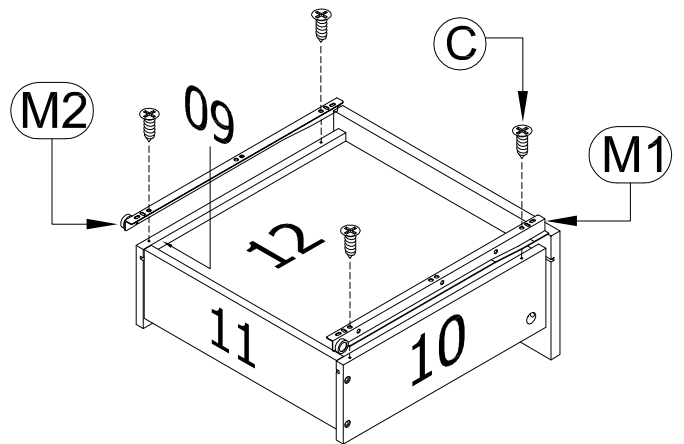
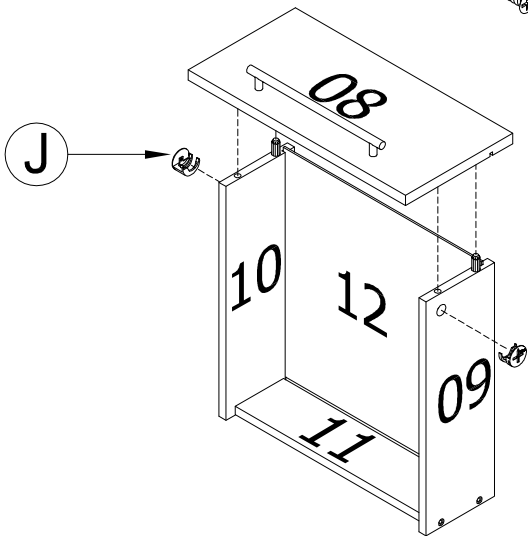
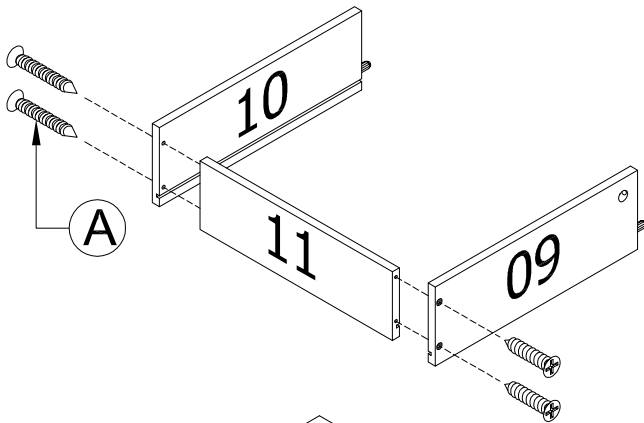
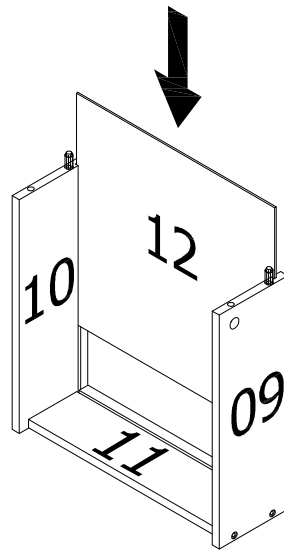
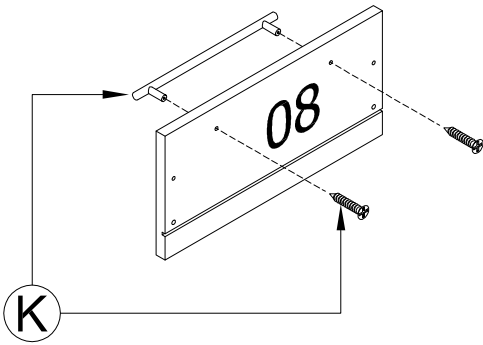
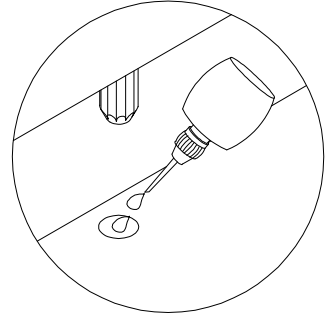
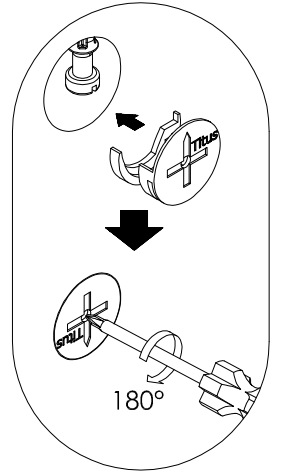
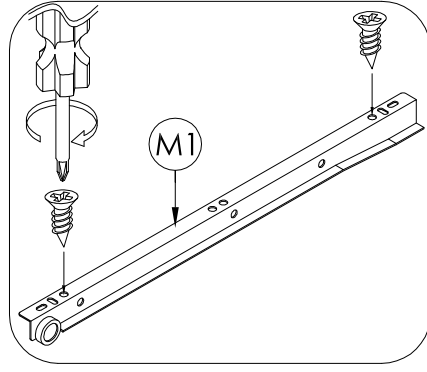
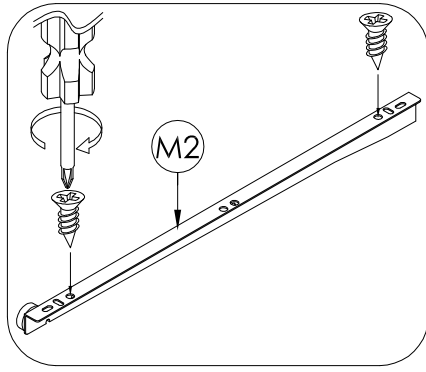
1



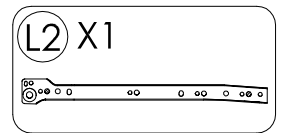
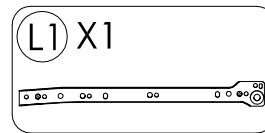
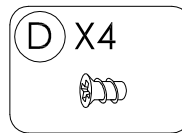
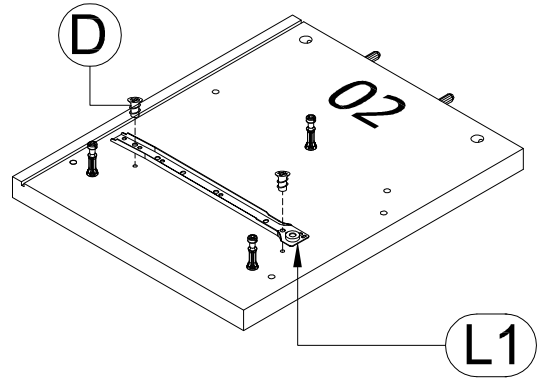
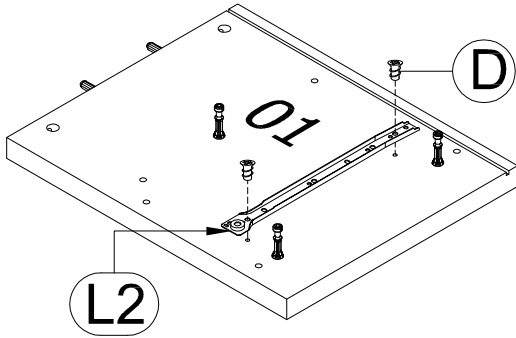
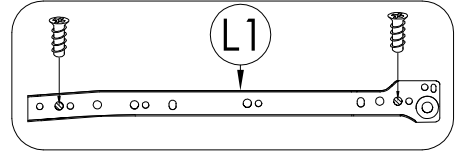
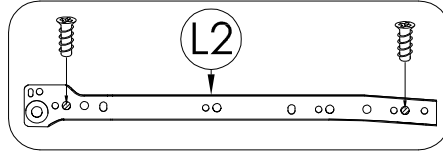
2



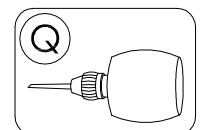
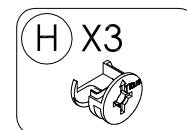
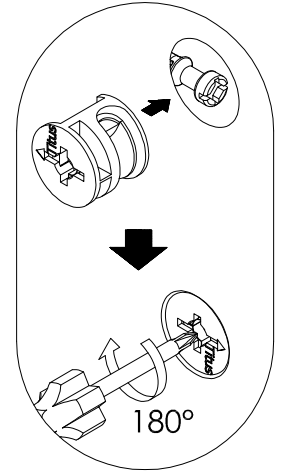
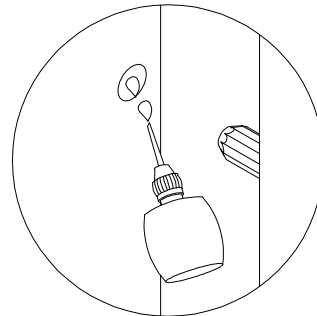
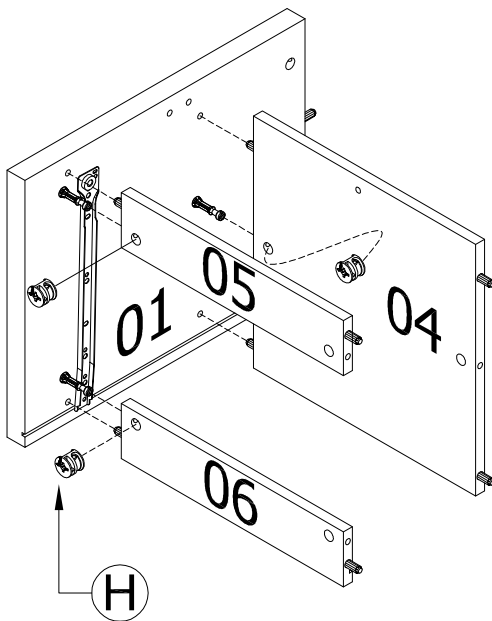
3



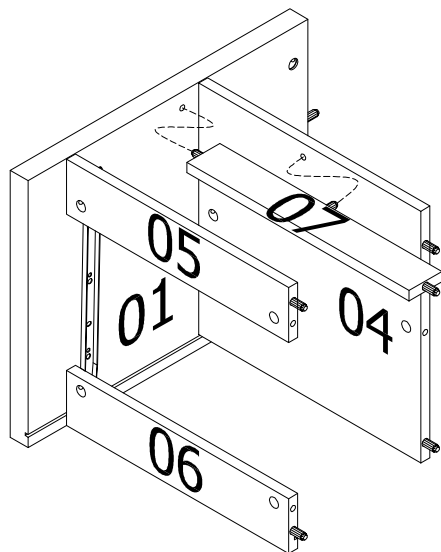
4



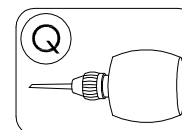
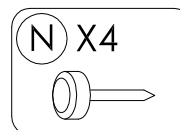
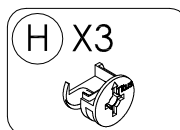
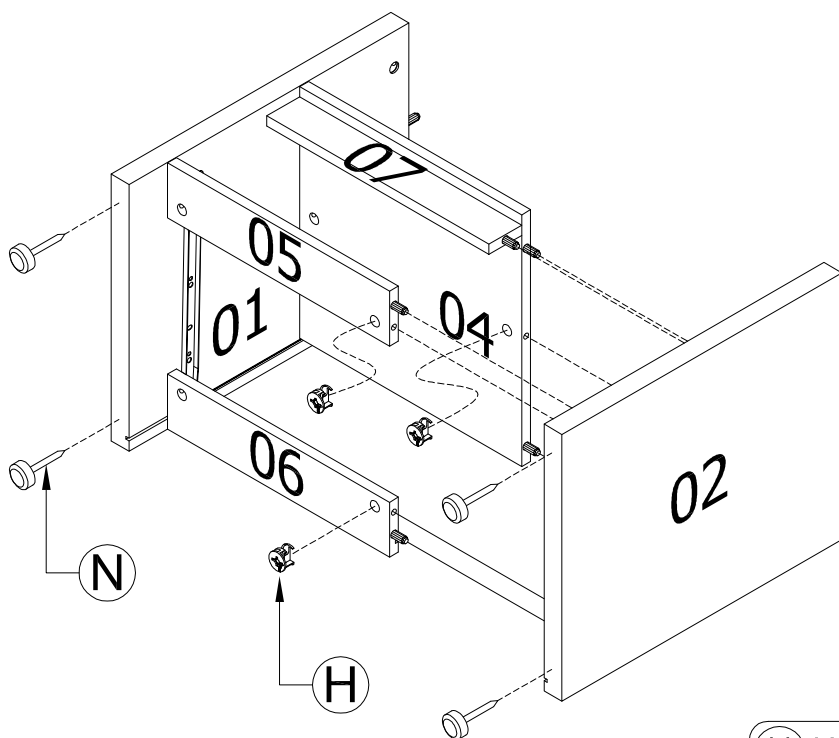
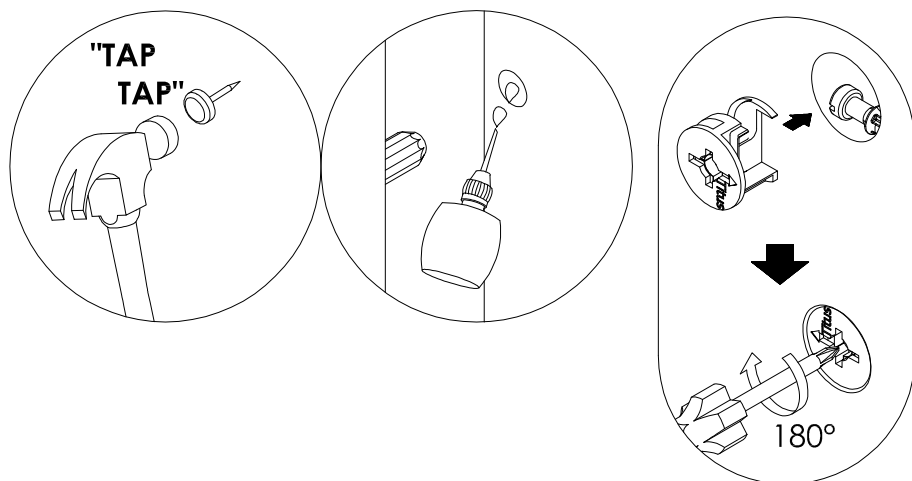
5



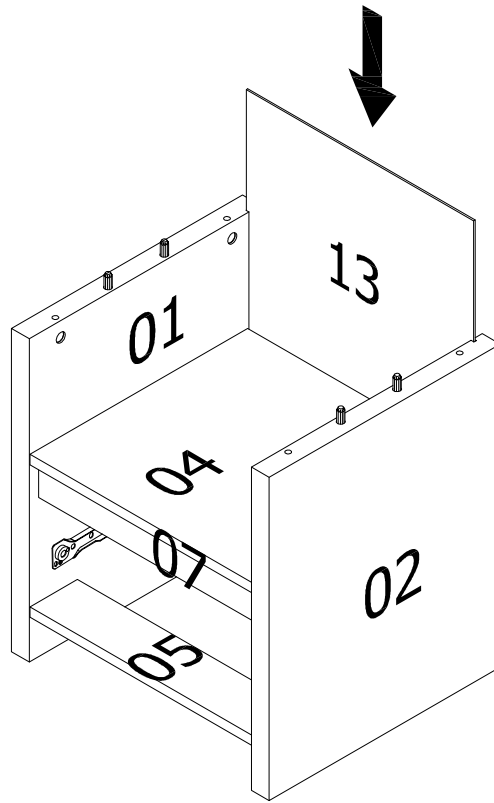
6



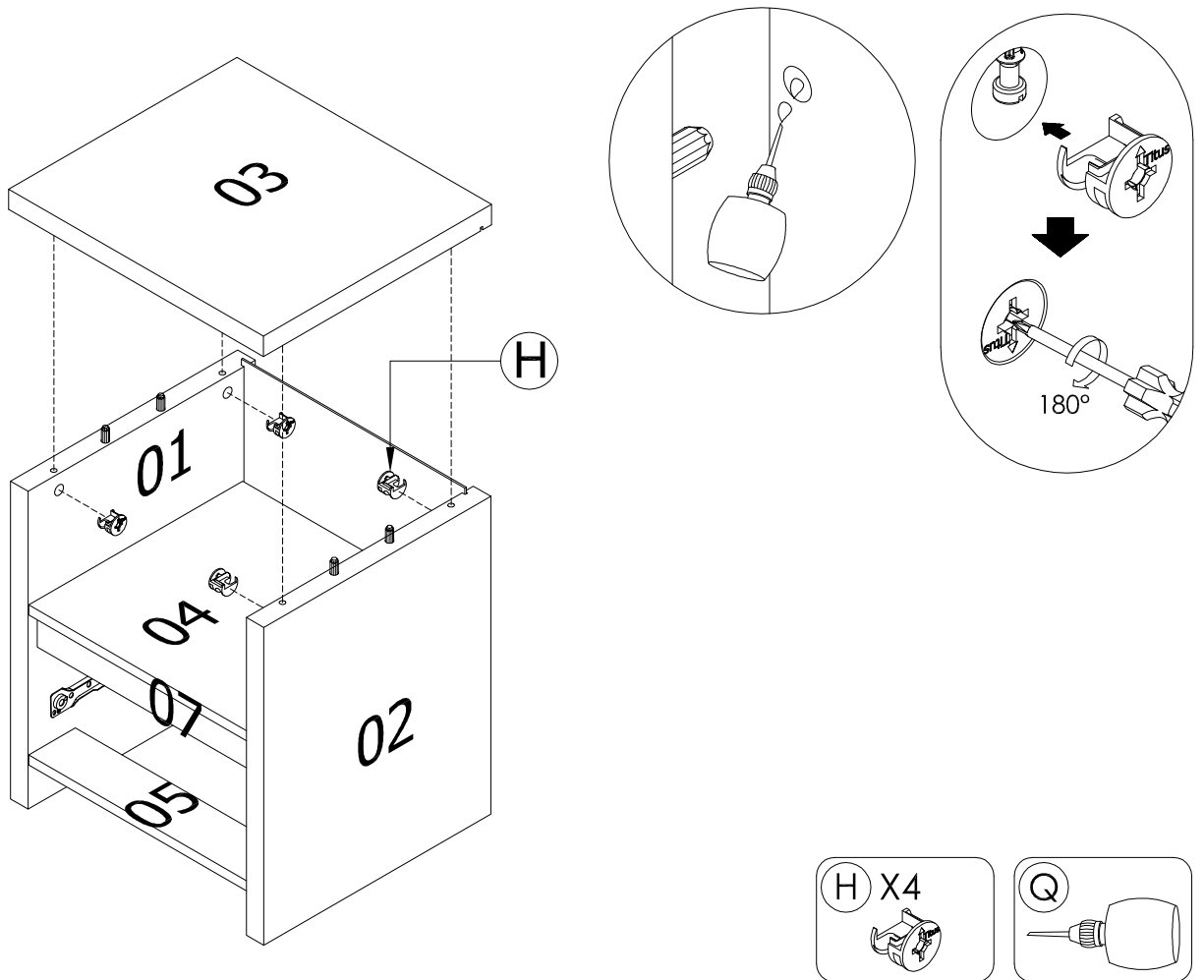
7



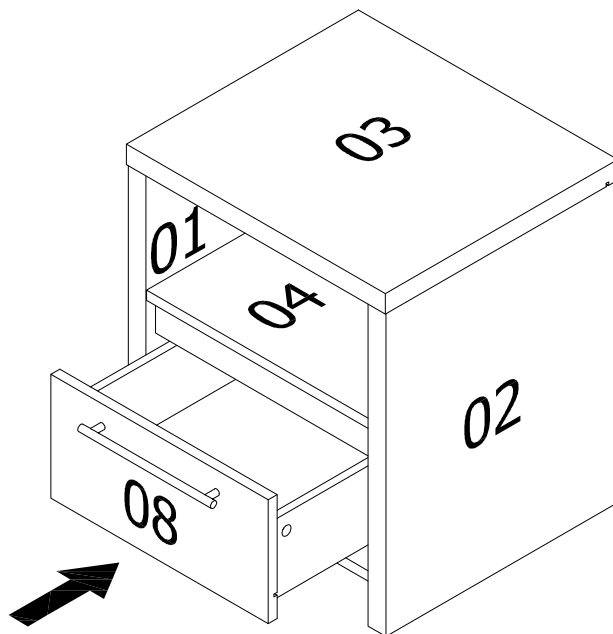
8



9



10



11

