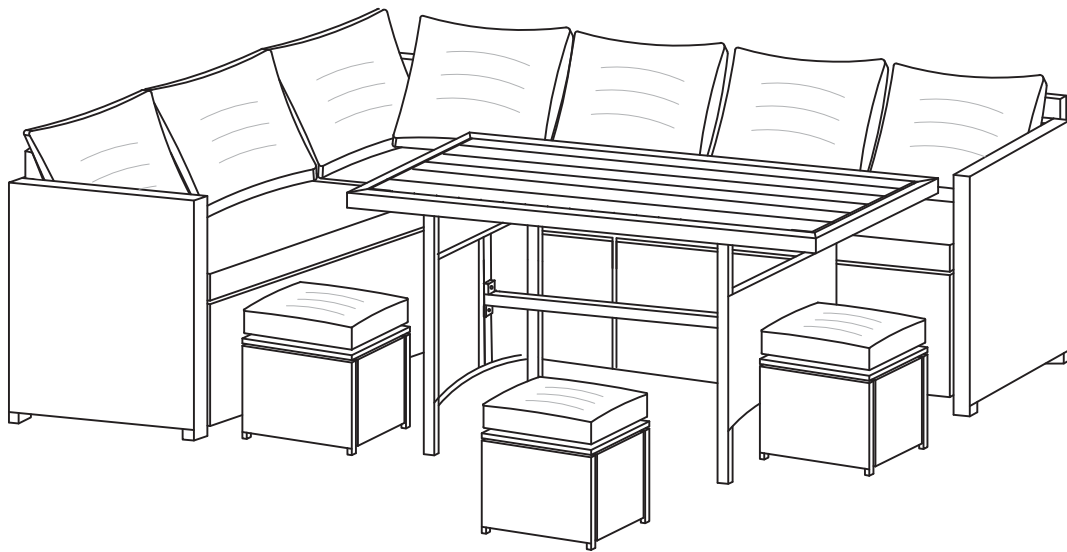


PE Rattan Furniture Set Assembly Instructions

OT003--box A



Attention





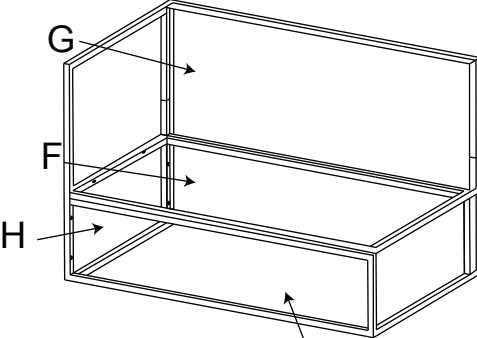
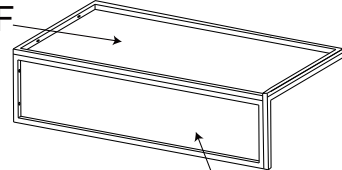
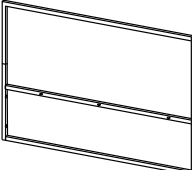
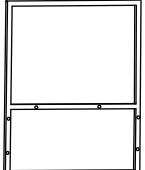

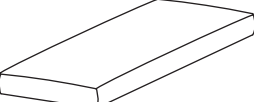
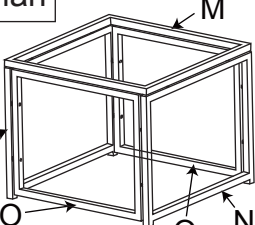
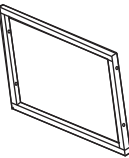
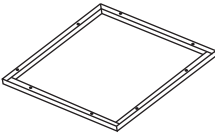
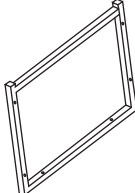
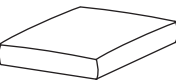
Thanks for choosing our product.

1. There will be four boxes in total for this whole product. Before assembling, please check you receive all the parts listed below. If there is any missing or damaged part, or if you have any question, please feel free to contact our service team for help.
2. Two persons are recommended to assemble the set.
3. Recommend to use waterproof furniture cover for entire furniture set when it is used outdoor to keep them longer lifetime.
4. Sofa cushion covers can be removed and cleaned up by cleaner when there are stains.
5. If the screw holes cannot be aligned, try loosening the screws on the other side.

Please kindly check parts list and follow the assembly guide to install your furniture set.
Any problems, please feel free to contact us.

WhatsApp



box A Parts List						
2  M6x30mm 16PCS	3  M6x35mm 4PCS	4  M6 20PCS	6  M6 1PC			
 <p>Middle Corner Sofa</p>			 1PC			
			 1PC		 1PC	
			 3PCS		 1PC	
 <p>Ottoman</p>			 2PCS	 1PC	 2PCS	 1PC

Middle Corner Sofa

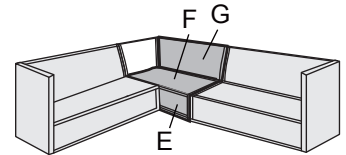
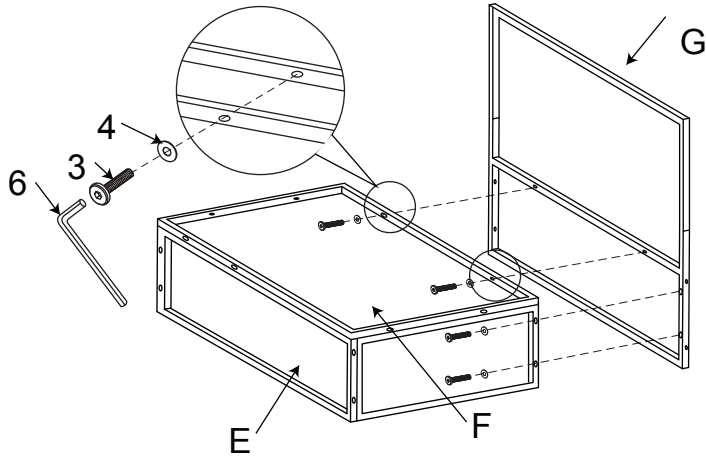
STEP1

- 2

M6x30mm
2PCS
- 3


M6x35mm
2PCS
- 4

M6
4PCS

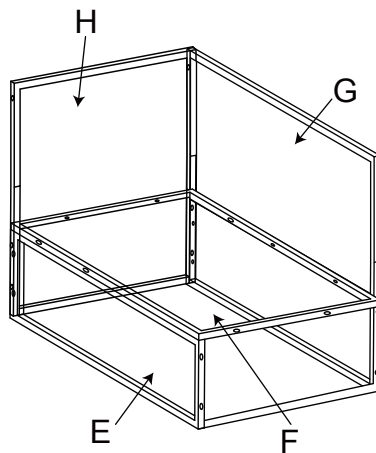
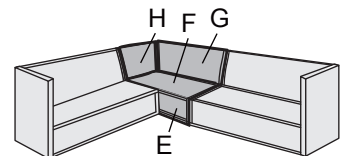
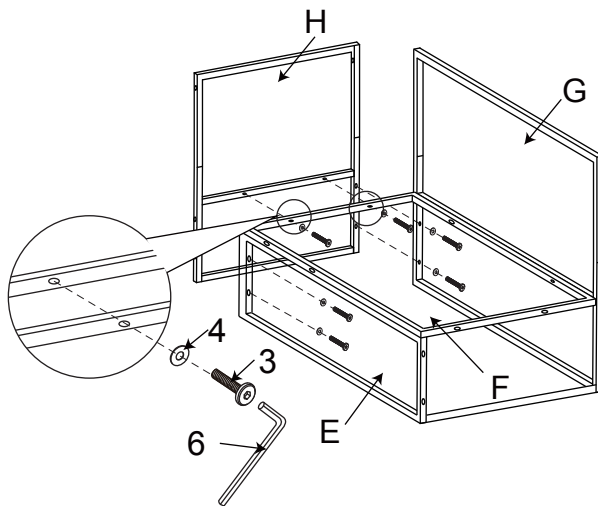


STEP2

- 2

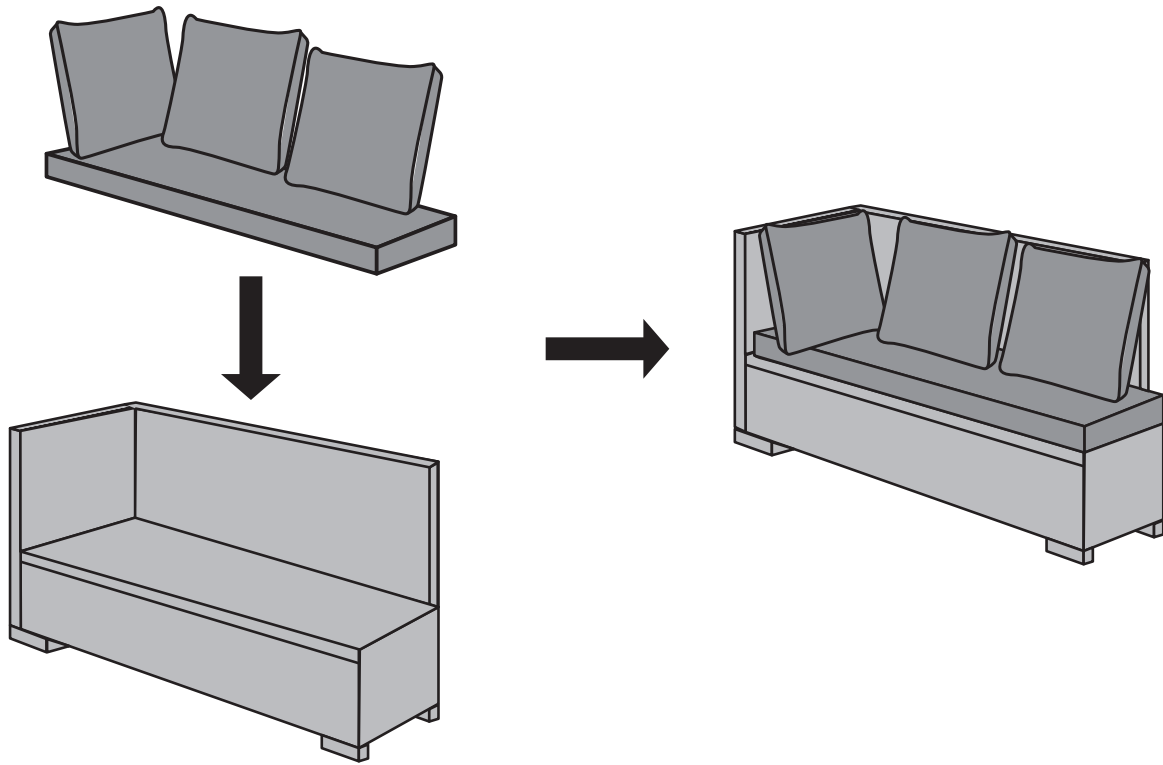
M6x30mm
4PCS
- 3

M6x35mm
2PC
- 4

M6
6PCS



Middle Corner Sofa

Cushion Assembly



Clips Assembly

