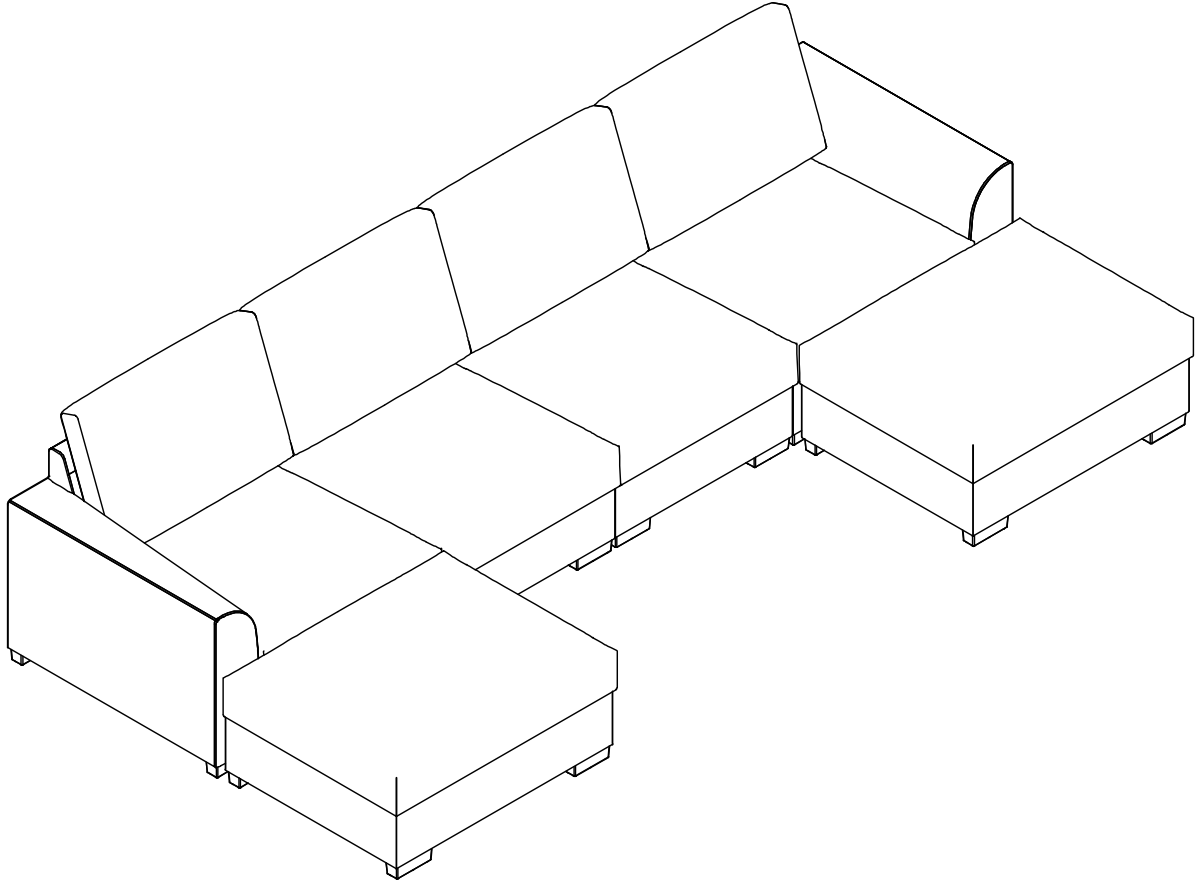
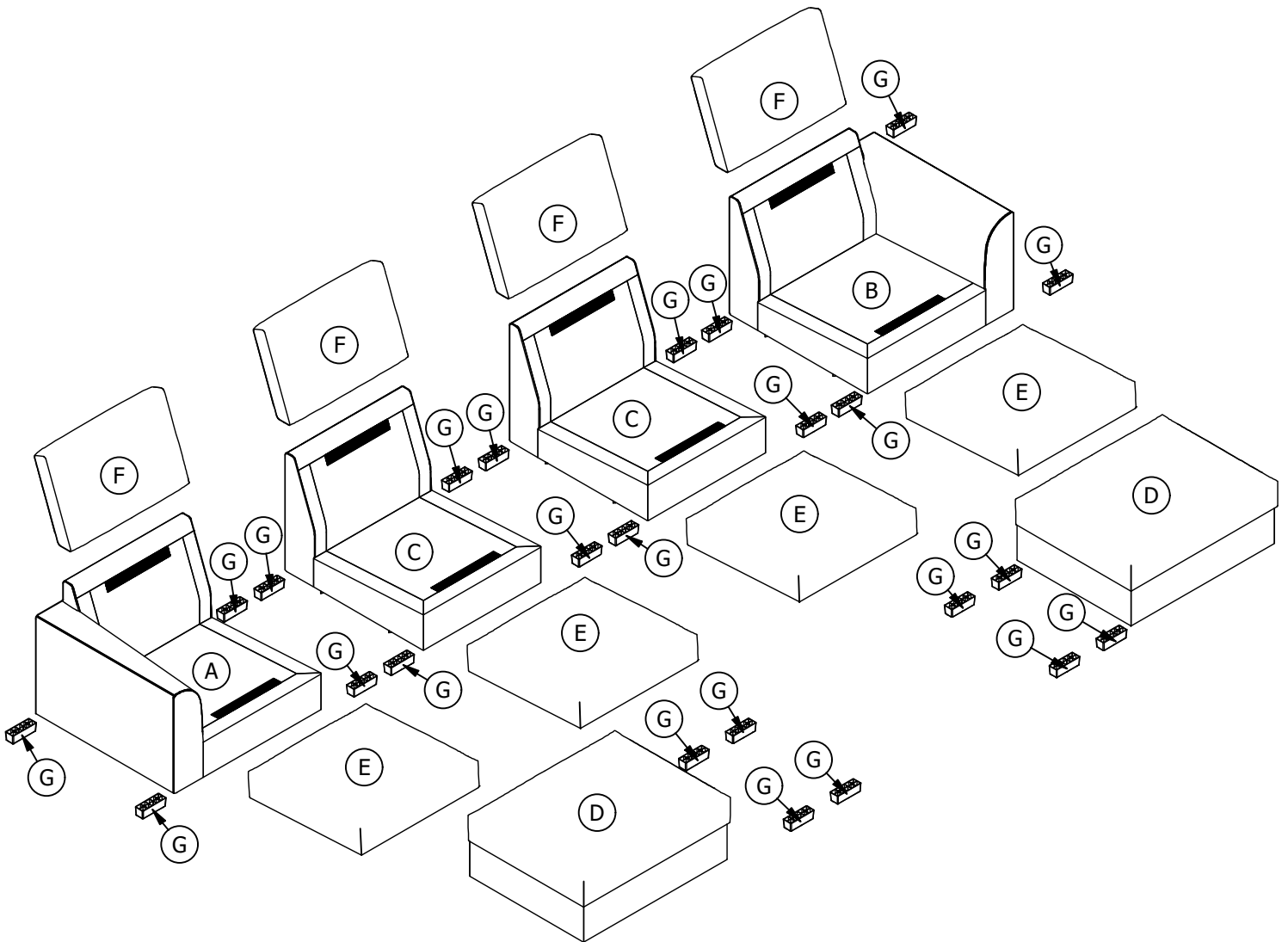


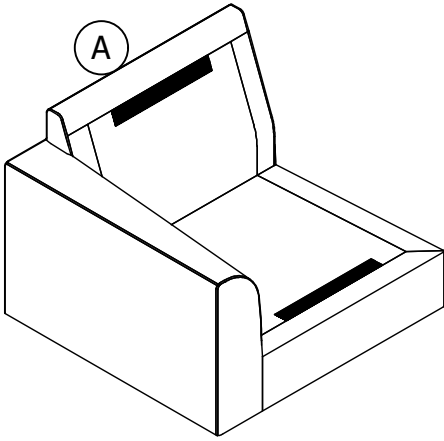
# Assembly Instruction



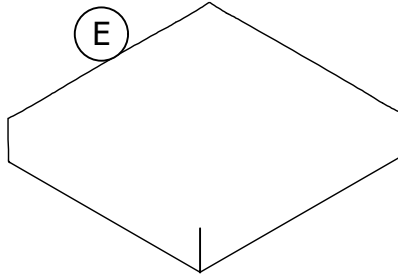
## PARTS



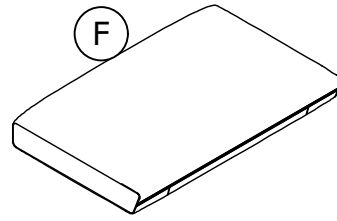
## PARTS LIST - BOX 1



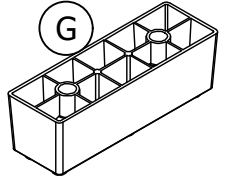
Sofa Frame X 1 PC



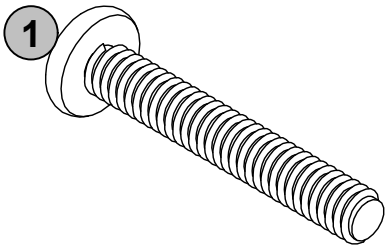
Seat Cushion X 1 PC



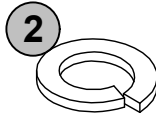
Back Cushion X 1 PC



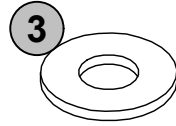
Legs X 4 PCS



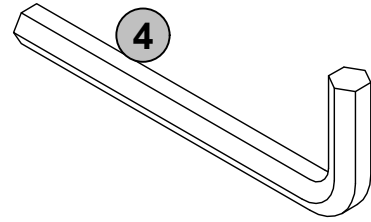
5/16" X 50mm  
X 8



Spring Washer  
X 8

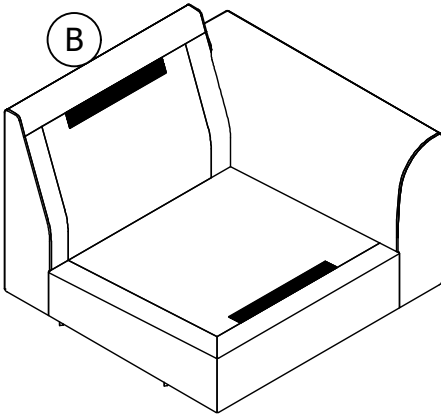


Washer  
X 8

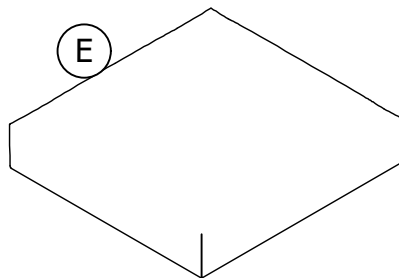


Allen Key 5mm  
X 1

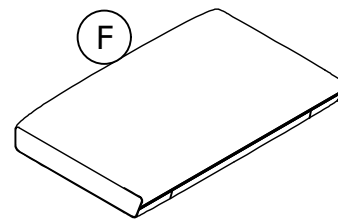
## PARTS LIST - BOX 2



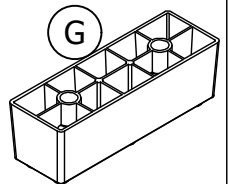
Sofa Frame X 1 PC



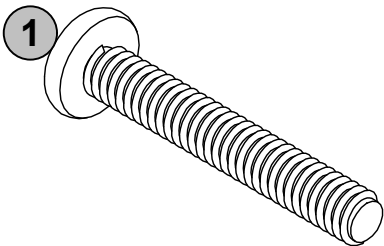
Seat Cushion X 1 PC



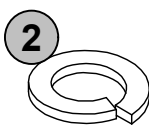
Back Cushion X 1 PC



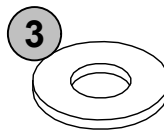
Legs X 4 PCS



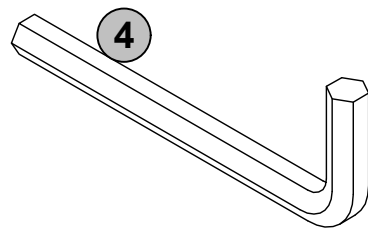
5/16" X 50mm  
X 8



Spring Washer  
X 8

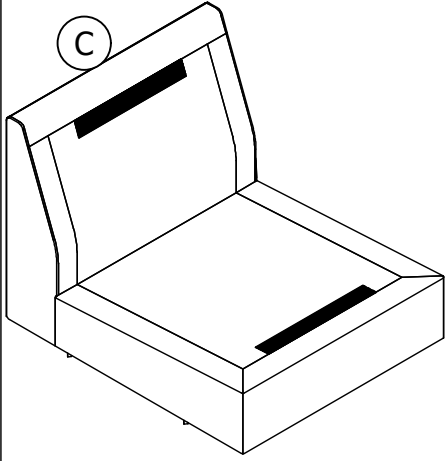


Washer  
X 8

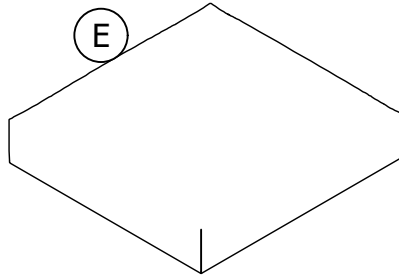


Allen Key 5mm  
X 1

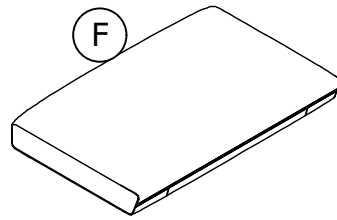
## PARTS LIST - BOX 3



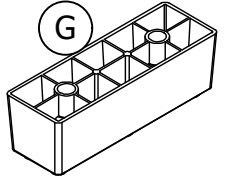
Chair Frame X 1PC



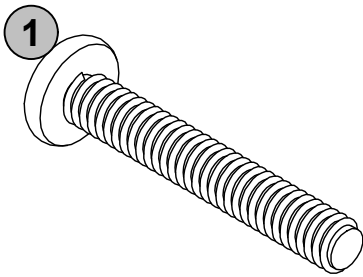
Seat Cushion X 1 PC



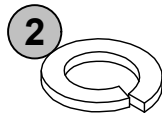
Back Cushion X 1 PC



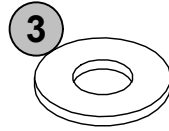
Legs X 4 PCS



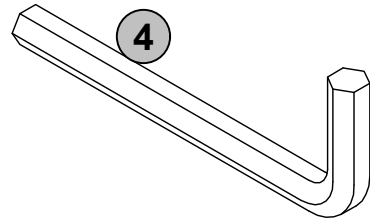
5/16" X 50mm  
X 8



Spring Washer  
X 8

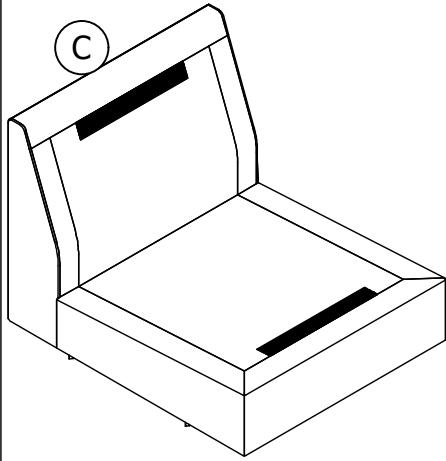


Washer  
X 8

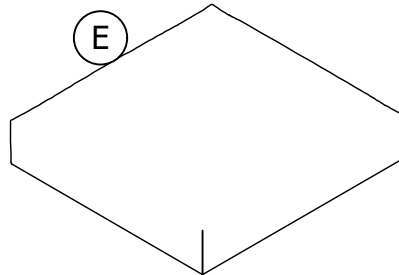


Allen Key 5mm  
X 1

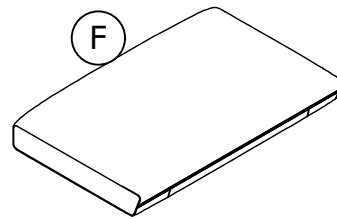
## PARTS LIST - BOX 4



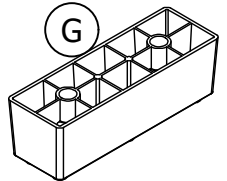
Chair Frame X 1PC



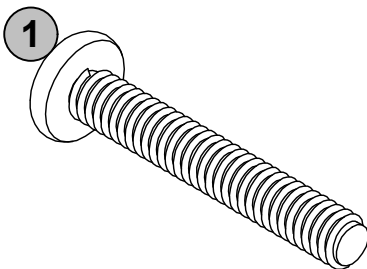
Seat Cushion X 1 PC



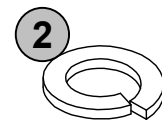
Back Cushion X 1 PC



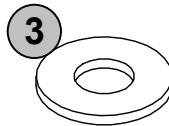
Legs X 4 PCS



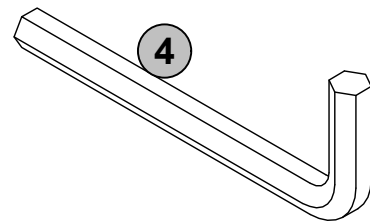
5/16" X 50mm  
X 8



Spring Washer  
X 8

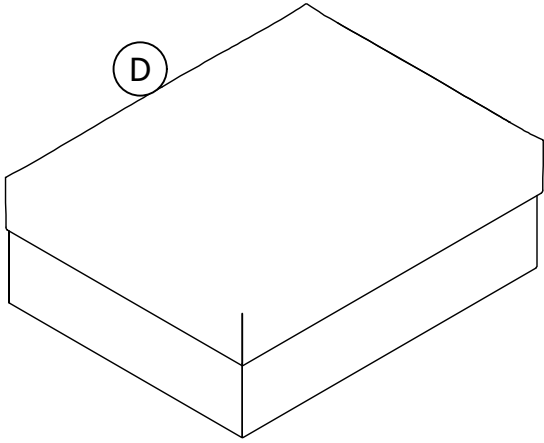


Washer  
X 8

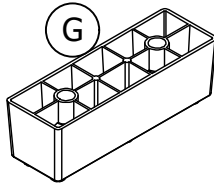


Allen Key 5mm  
X 1

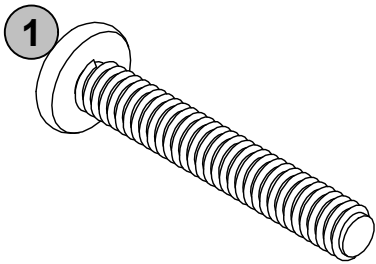
PARTS LIST - BOX 5



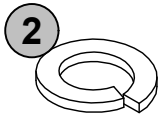
Ottoman X 1 PC



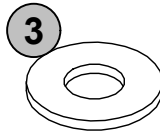
Legs X 4 PCS



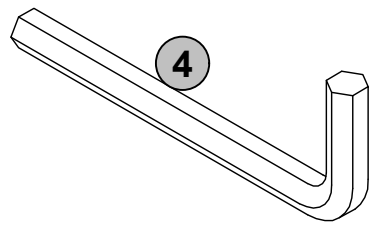
5/16" X 50mm  
X 8



Spring Washer  
X 8

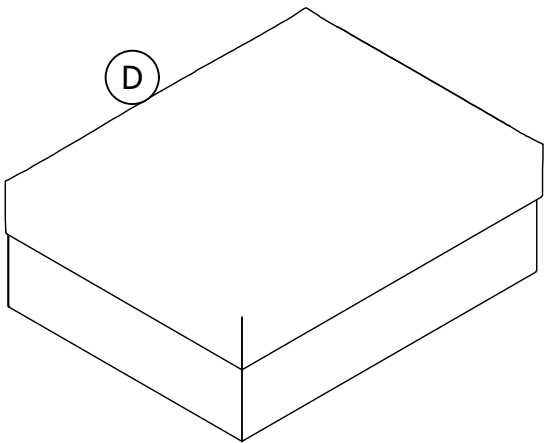


Washer  
X 8

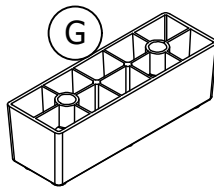


Allen Key 5mm  
X 1

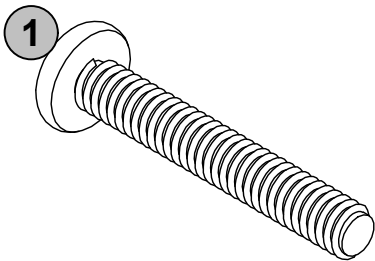
PARTS LIST - BOX 6



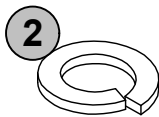
Ottoman X 1 PC



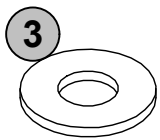
Legs X 4 PCS



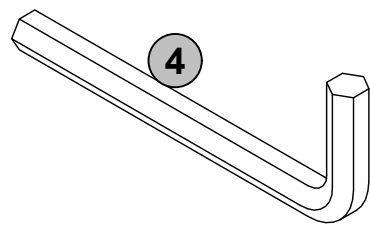
5/16" X 50mm  
X 8



Spring Washer  
X 8



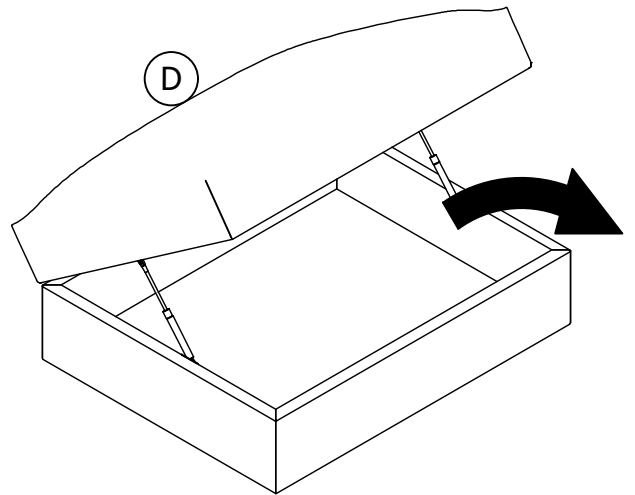
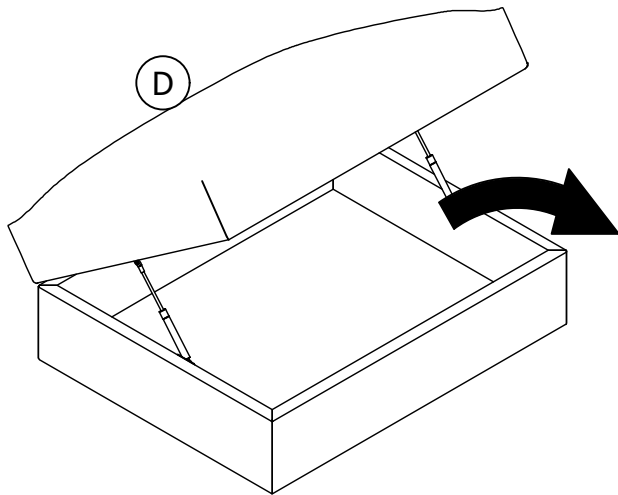
Washer  
X 8



Allen Key 5mm  
X 1

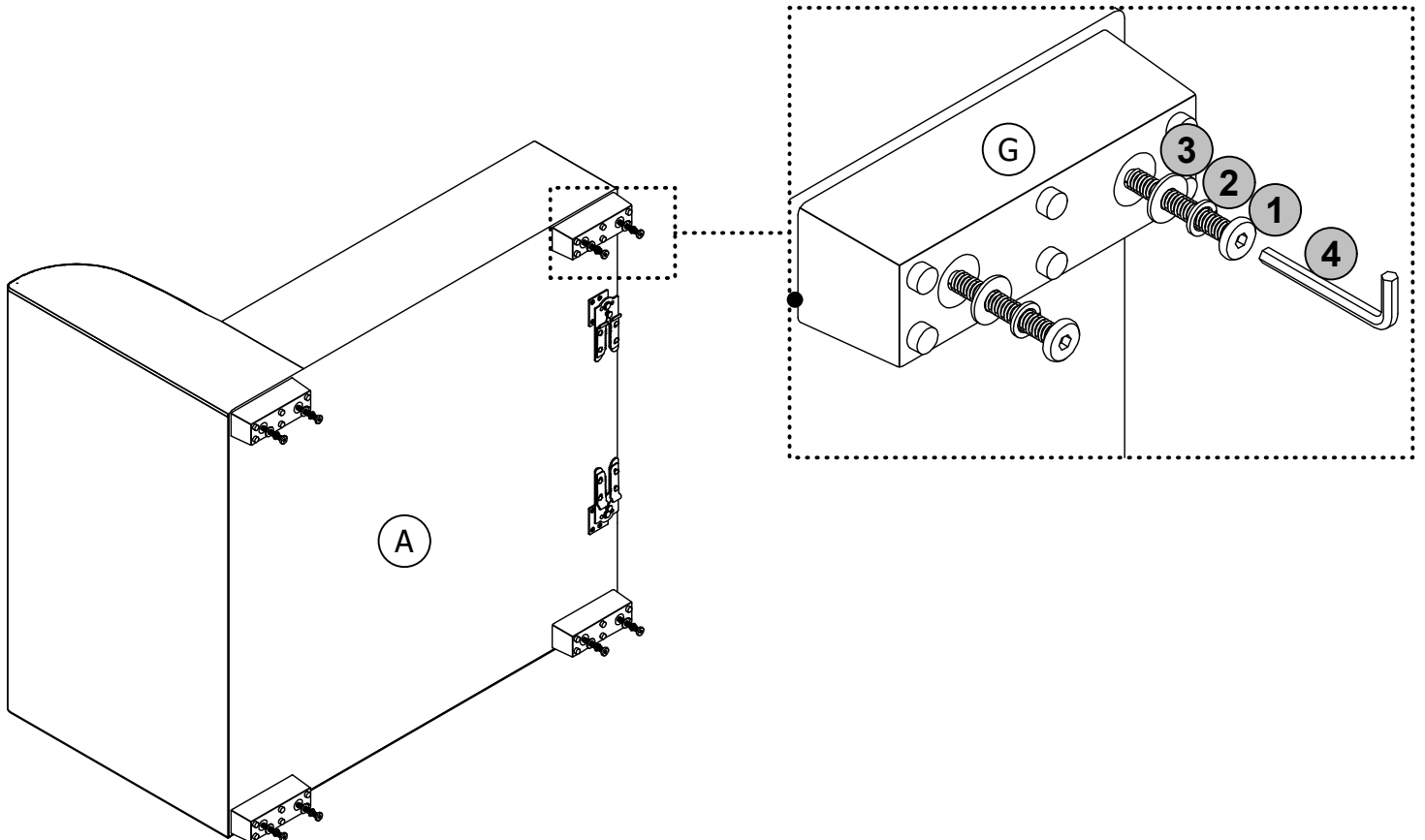
**STEP 1:**

Something will be found in the compartment under the seat, as shown.



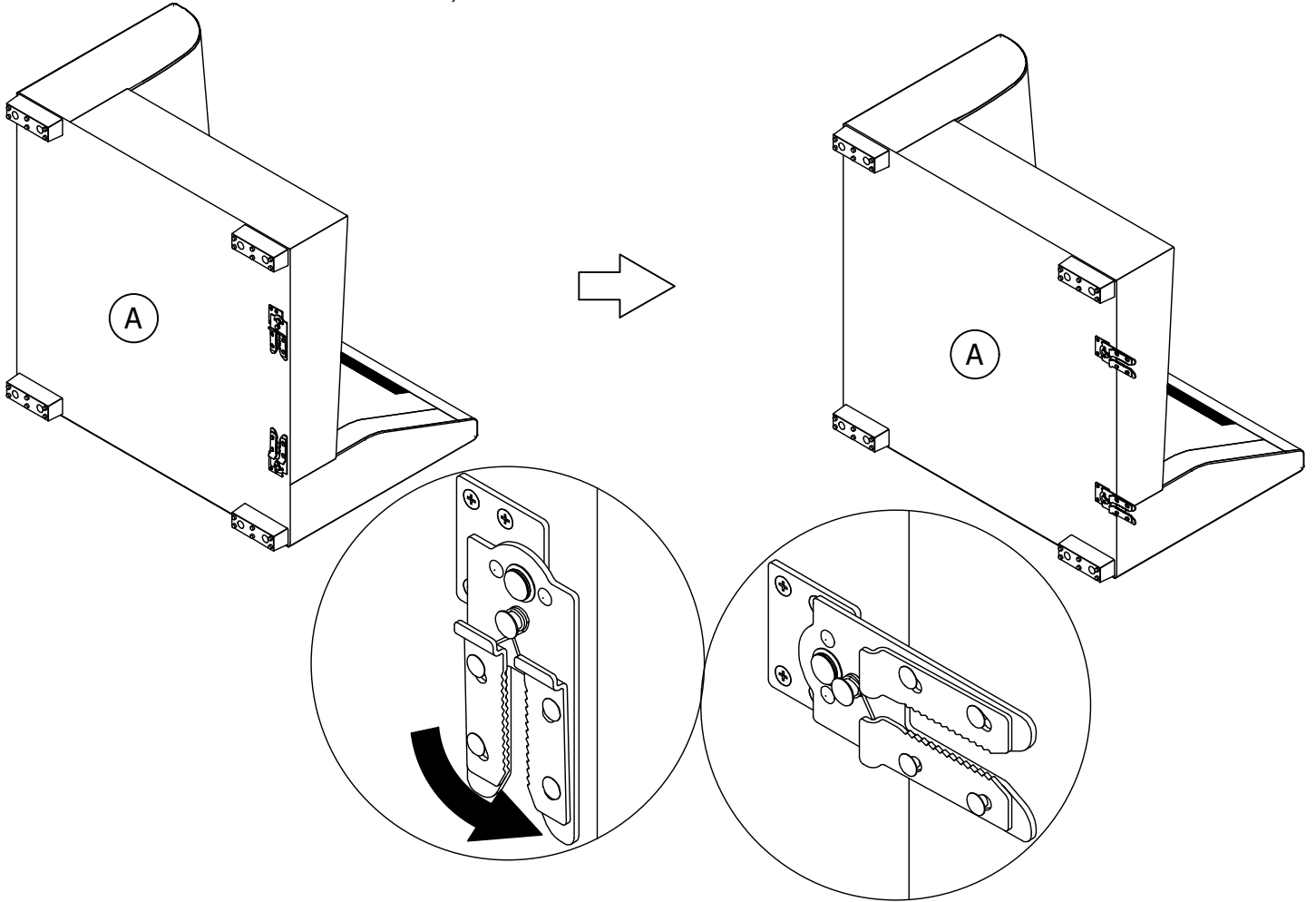
**STEP 2:**

Attach **G** x 4 to **A** with **1**, **2**, **3**, as shown.



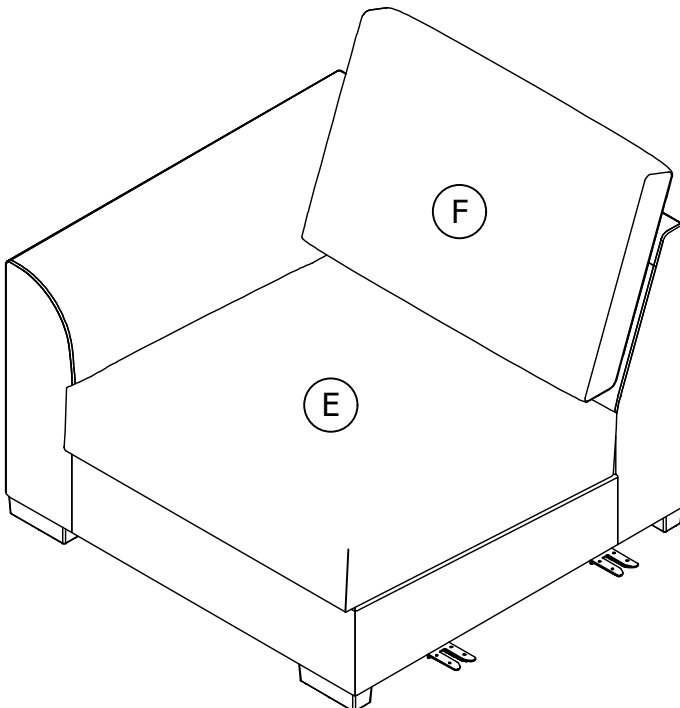
**STEP 3:**

Revolve the the metal brackets on **A**, as shown.



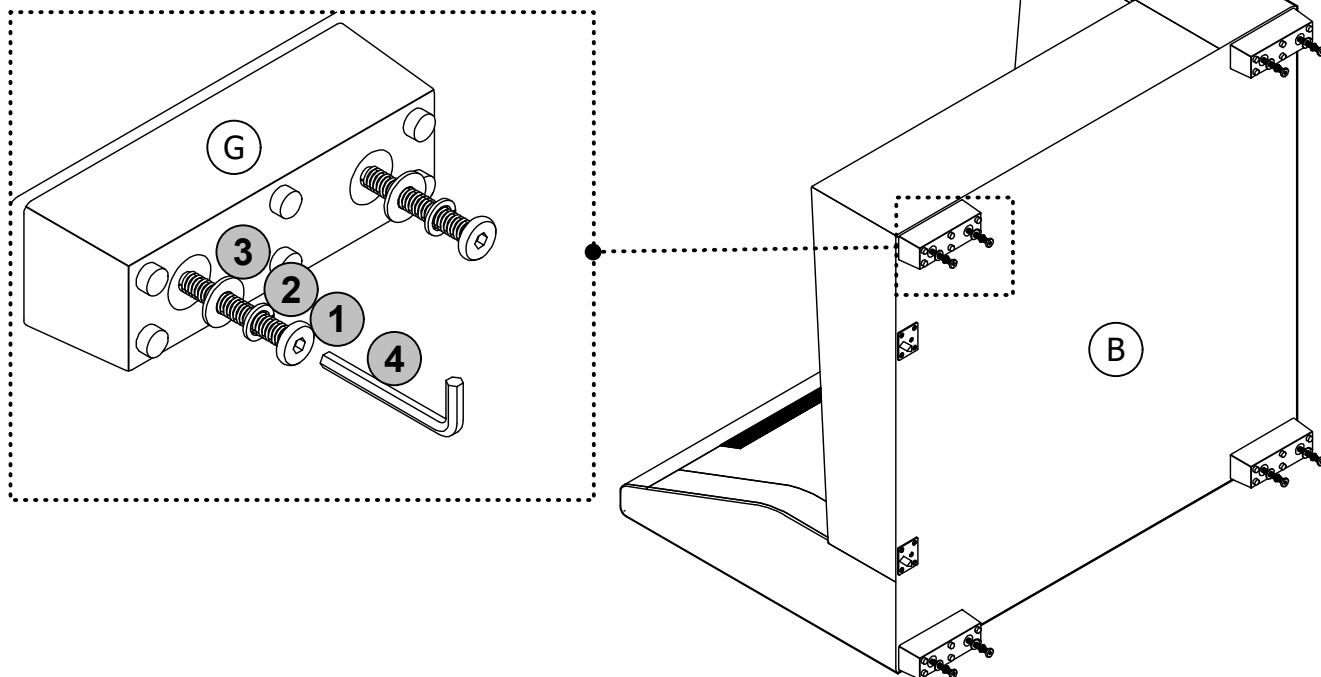
**STEP 4:**

Place **E** & **F** onto sofa, as shown.



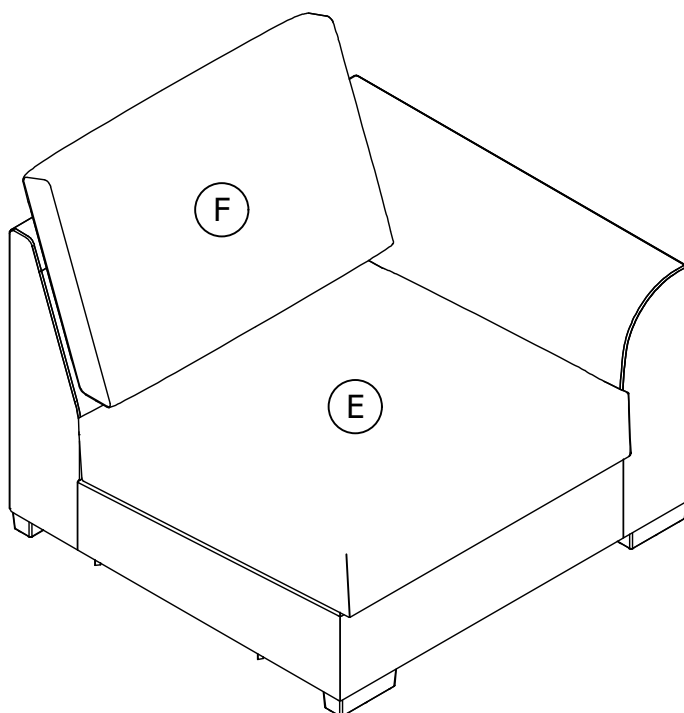
**STEP 5:**

Attach **G** x 4 to **B** with **1**, **2**, **3**, as shown.



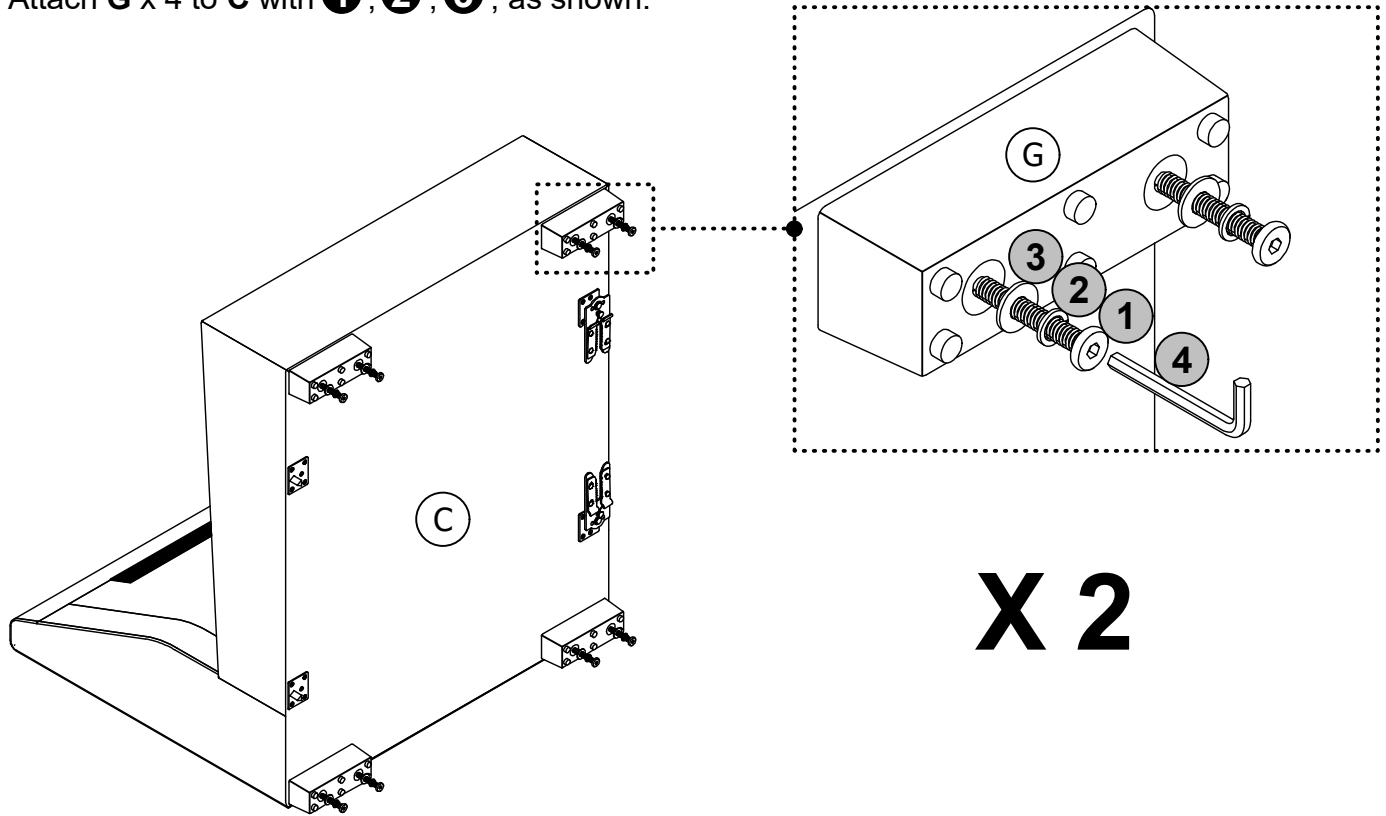
**STEP 6:**

Place **E** & **F** onto sofa, as shown.



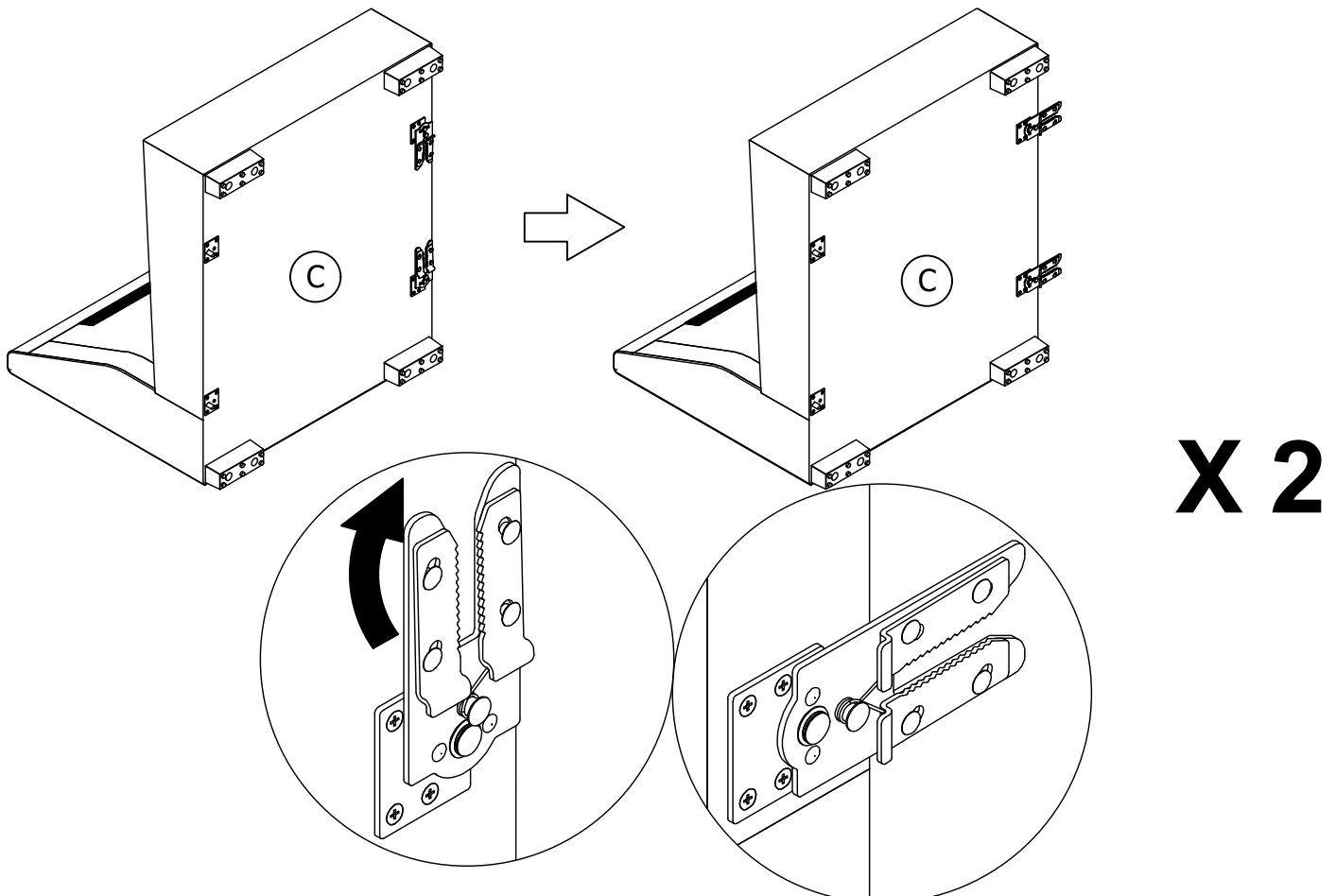
**STEP 7:**

Attach **G** x 4 to **C** with **1**, **2**, **3**, as shown.



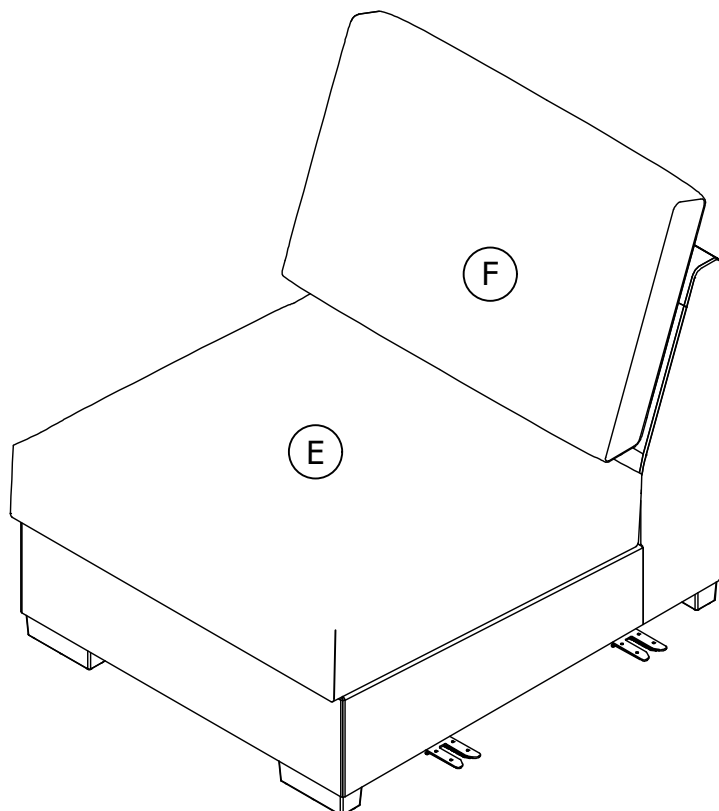
**STEP 8:**

Revolve the the metal brackets on **C**, as shown.



**STEP 9:**

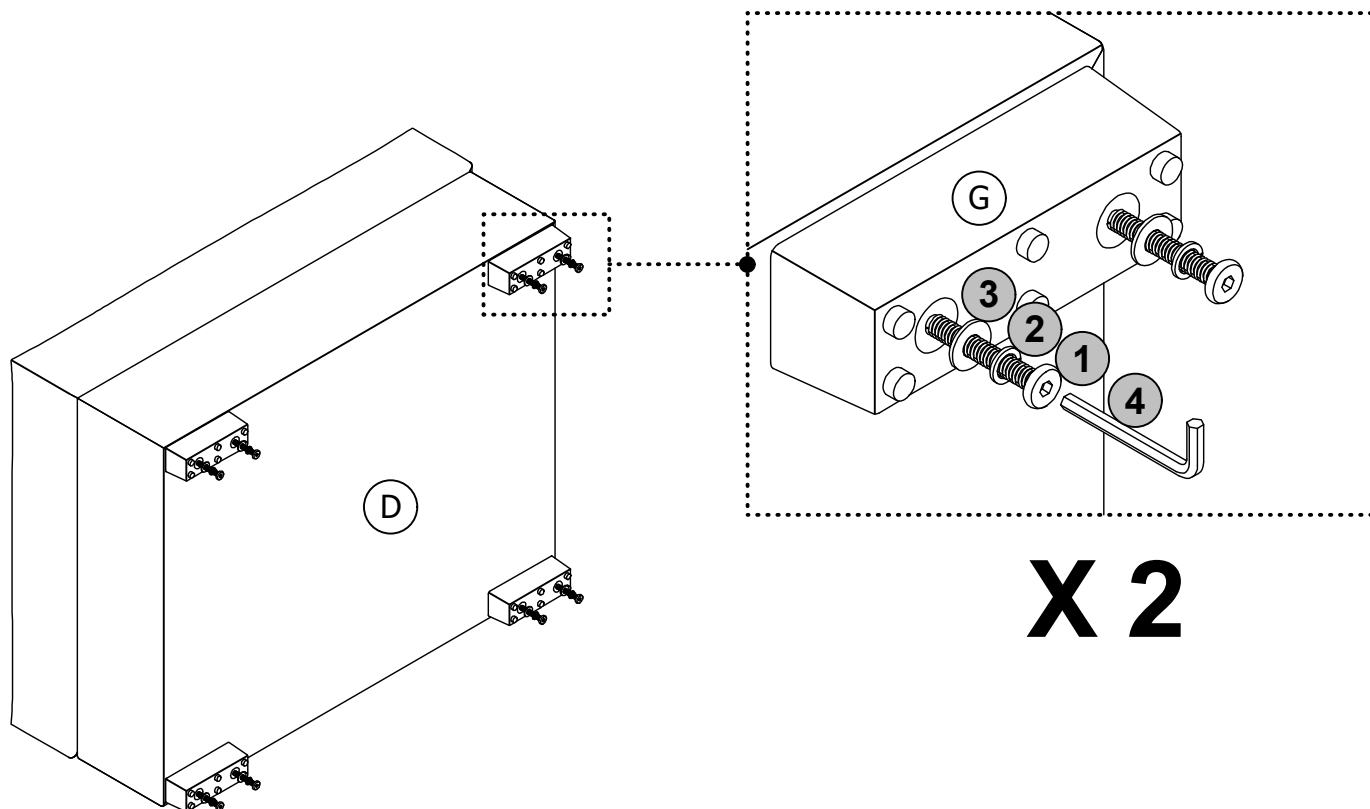
Place **E** & **F** onto sofa, as shown.



**X 2**

**STEP 10:**

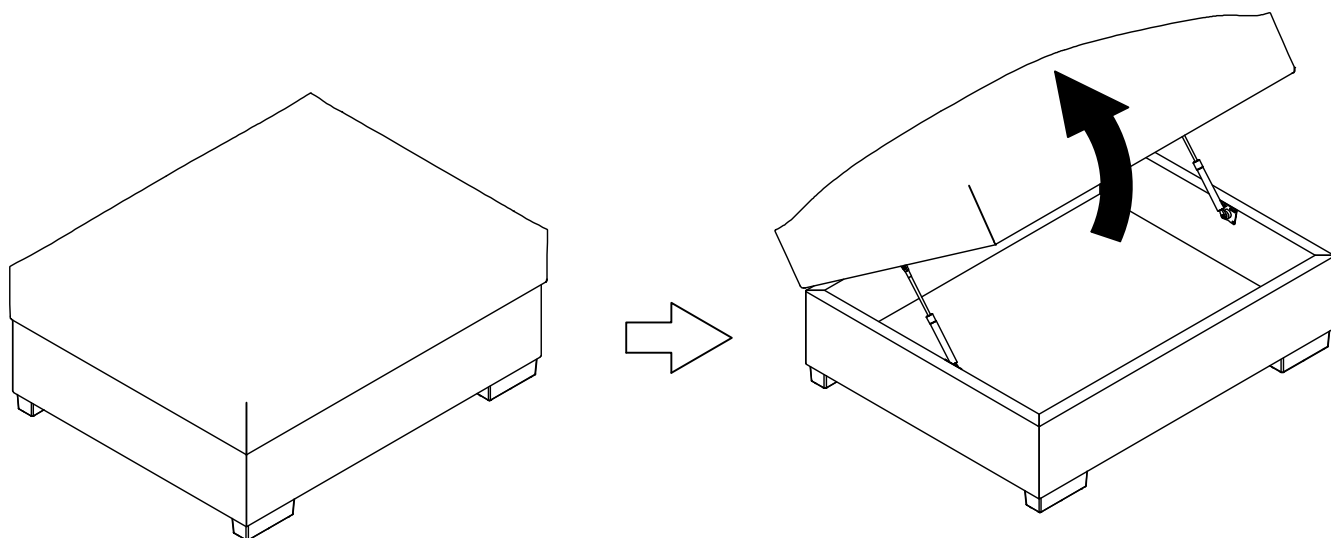
Attach **G** x 4 to **D** with **1**, **2**, **3**, as shown.



**X 2**

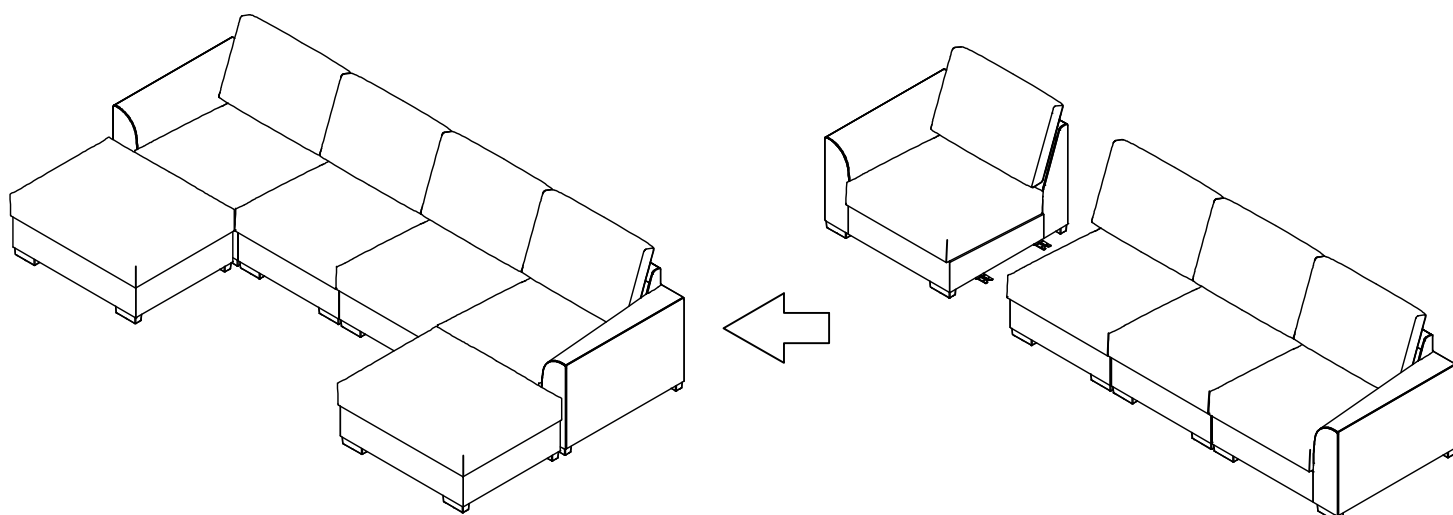
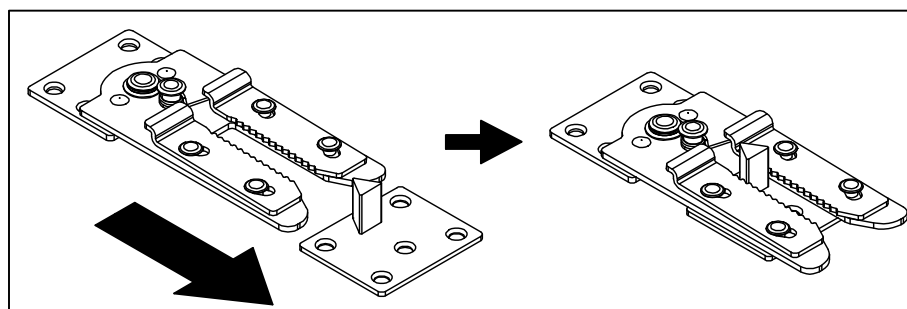
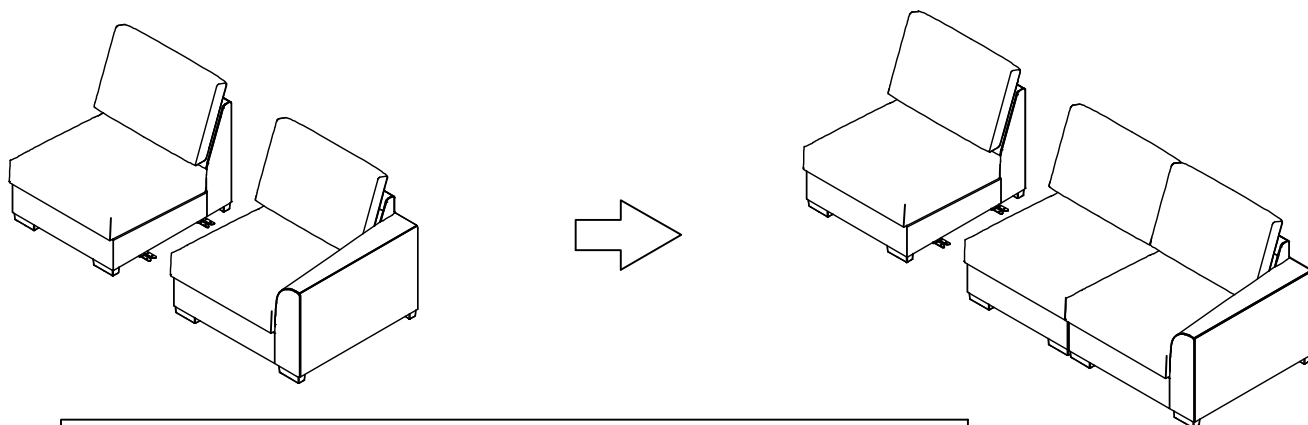
**STEP 11:**

You can open the seat to put something, as shown.



**STEP 12:**

Assemble the parts together with the metal brackets, as shown.



# Helpful Hints

- Move your new furniture carefully, with two people lifting and carrying the unit to its new location.
- Your furniture can be disassembled and reassembled to move.
- Clean the product with a soft damp cloth. DO NOT use harsh chemicals or abrasive cleaners.
- For further information please contact at [sales4@jsanyee.com](mailto:sales4@jsanyee.com)

