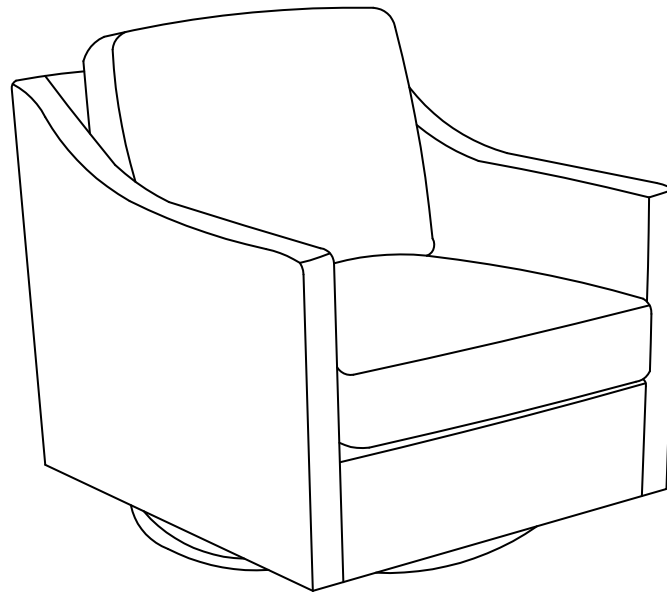


SWIVEL ACCENT CHAIR  
ASSEMBLY INSTRUCTION



## WARRANTY

So glad you have completed the assembly and can enjoy it. If you are satisfied with our products, thank you for showing your favored Swivel Accent Chair to your around.

Our products come with warranty, you can feel free to contact us at any time.

### **Methods:**

If you buy our products online, go to your order detail page to contact us (guaranteed response within 24 hours)

## AFTER-SALE POLICY

### **For return reason:**

Wrong purchase, bought by mistake, no longer needed, doesn't meet expectation, a size smaller than expectation, customer need to cover the return shipping fee.

### **For canceling order or changing address:**

Customer needs to pay for shipping fee and carrier handle fee if the item has been shipped out.

### **Customer Service:**

Any problem with the product or shipping issue, please feel free to contact us, we will try our best to serve and help.

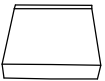

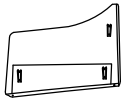
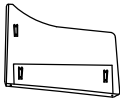
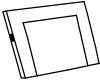
# ATTENTION





## Thanks for choosing our product.

- 1. Please check the manual carefully and make sure you have received all the parts.**
- 2. If there is any missing part, please let us know the letter of the parts you need.**
- 3. If there is any damage part, please send clear photos to us, we will check and offer you best solution soon.**
- 4. There will be 1 box for this product. Feel free to contact us for more help.**
- 5. Please keep 50% tightness of all screws before final assembly of products.**

# Assembly Instruction

## Part List

A	B	C	D	E
				
1pc	1pc	1pc	1pc	1pc

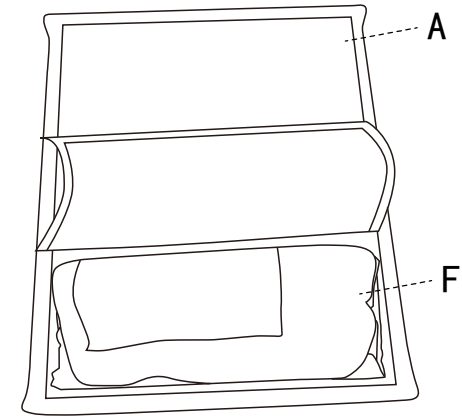
F	G	H	I
			
1pc	1pc	1pc	4pcs

# Assembly Instruction

## Step 1

A\*1

F\*1



Take out the cushion F from the bottom of seat A by unwrapping the velcro of seat A.

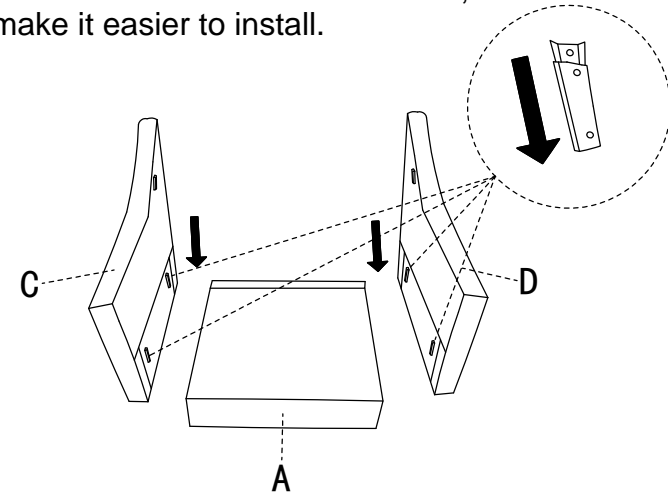
## Step 2

A\*1

C\*1

D\*1

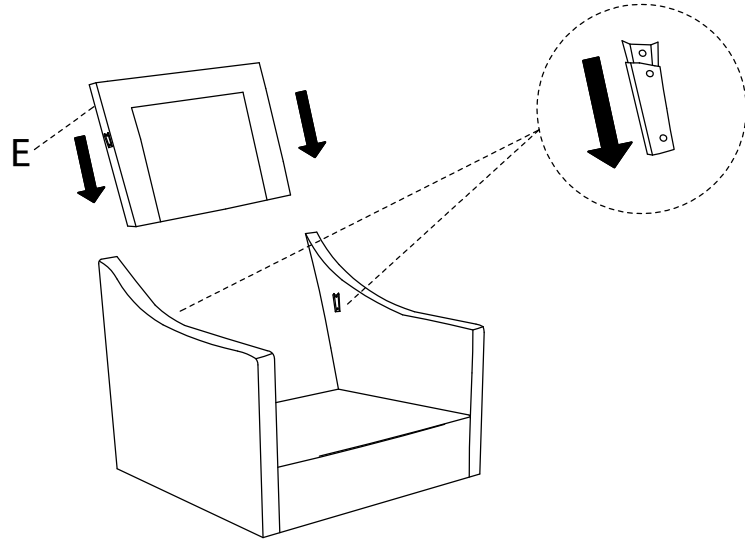
It is recommended that the bolts near the backrest be installed and secured first, as this will make it easier to install.



# Assembly Instruction

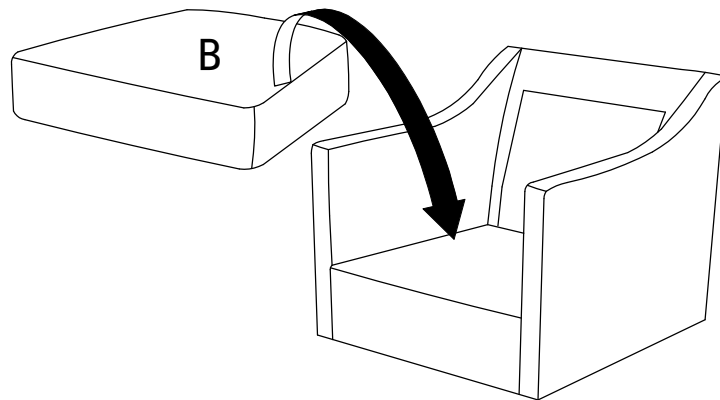
Step 3

E\*1



Step 4

B\*1



4

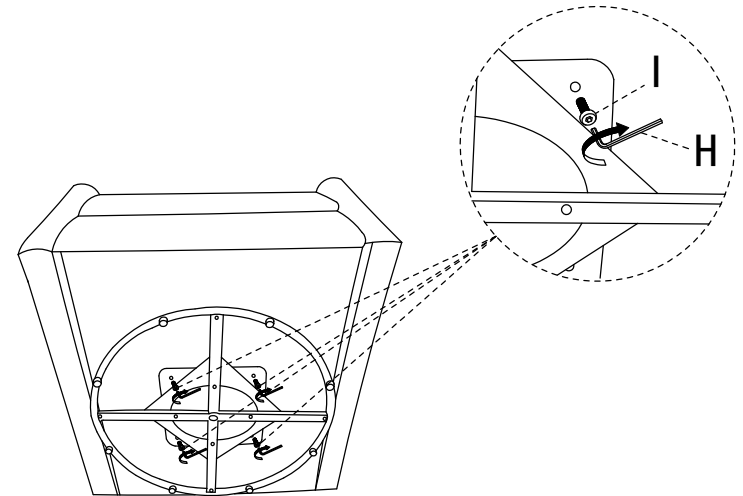
# Assembly Instruction

Step 5

G\*1

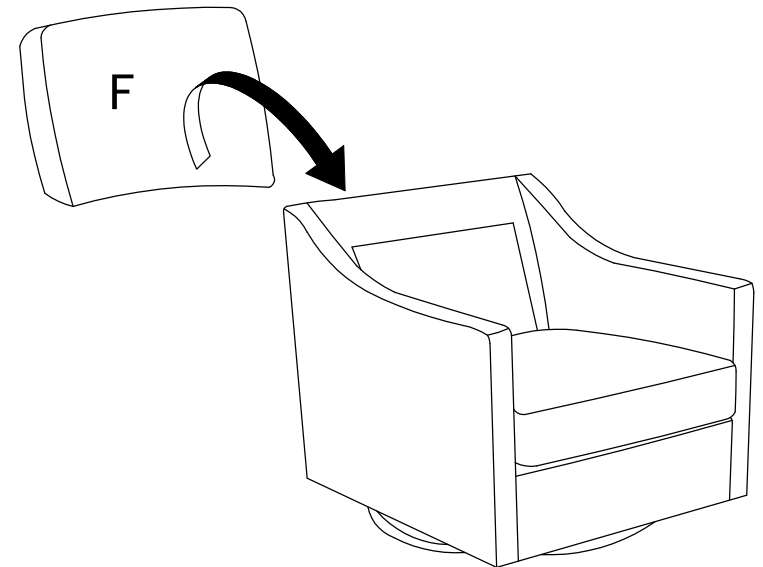
H\*1

I\*4



Step 6

F\*1



5