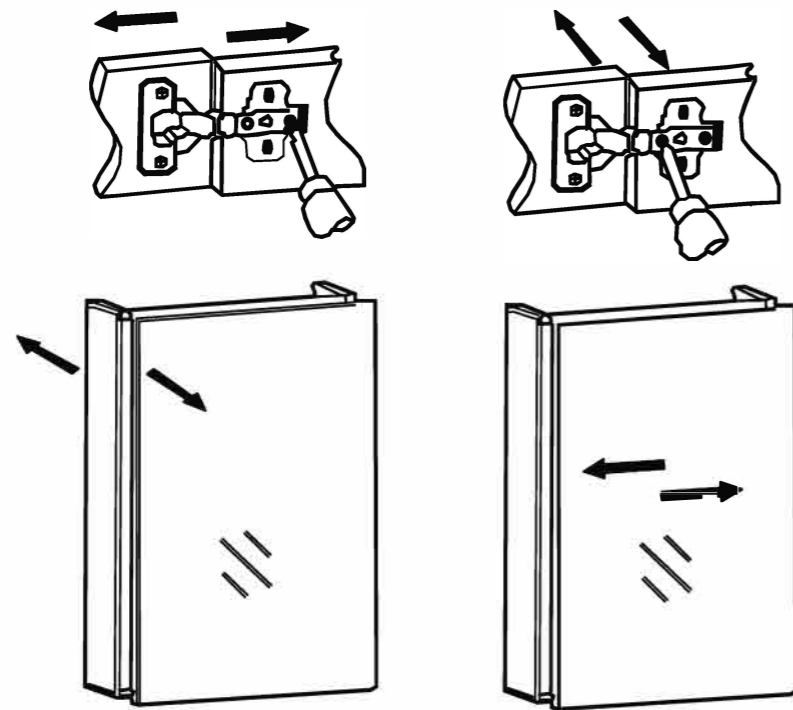
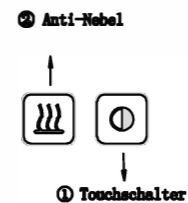
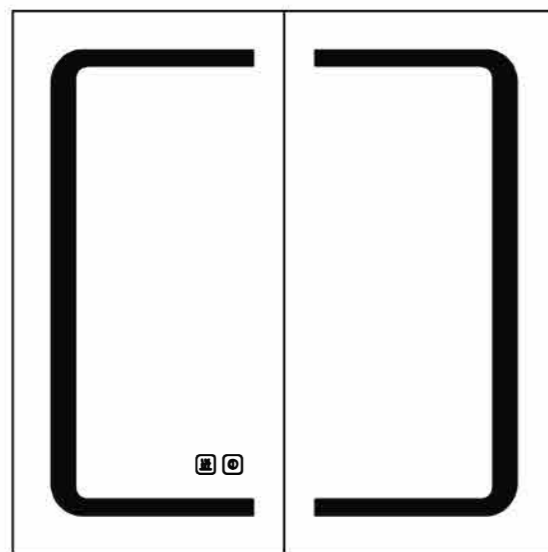


Einstellung der Scharieren



Funktional.

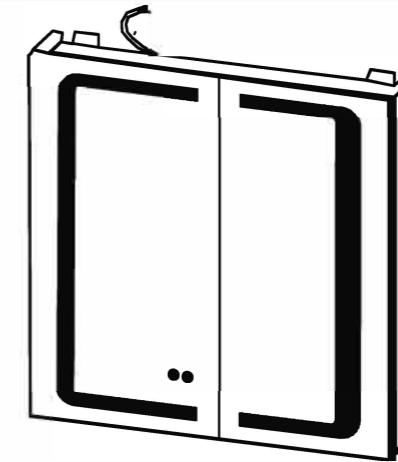


Finally, the circuit is connected, and the touch switch is connected.

(Figure 1) Touch the lens with your finger to test the product.

Anti-fog: press ② control anti-fog

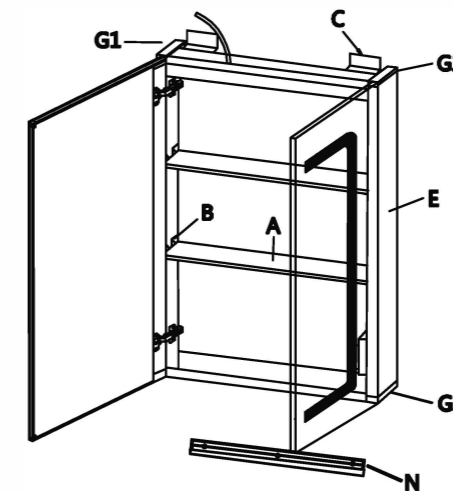
Montageanleitung



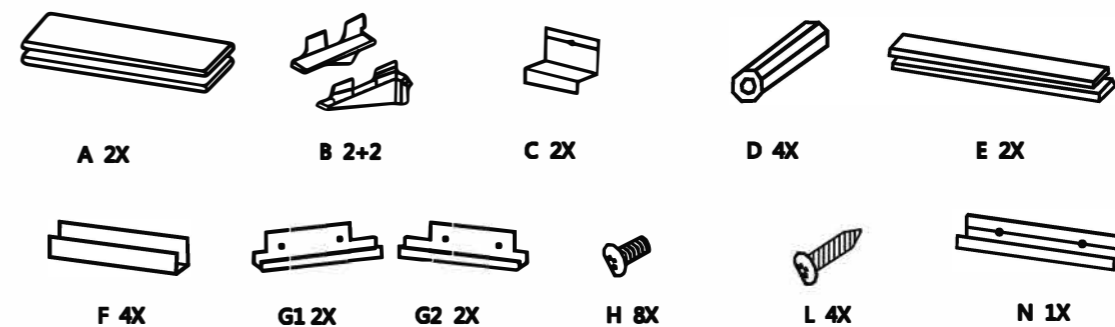
Sicherheitswarnung

- Eingangsspannung: AC100V-240V . There must be protective grounding and leakage switches.
- High voltage electrical equipment is located on both sides of the product. If you are not an electrician, do not install these sidewalls.
- Power tools used for installation must have ground protection.
- Precautions: Before drilling, wires and water pipes should be placed on the wall to be drilled: avoid unnecessary damage during the drilling process.
- Ensure that no sharp or sharp objects touch the product.
- When heating and closing the mirror cabinet, do not use too much force to avoid glass breakage and personal injury.
- If the glass is broken, it should be replaced in time.
- Do not place chlorinated chemical substances such as salt, detergents and disinfectants near the mirror housing.
- Clean with mild detergent or soapy liquid. Wipe the mirror cabinet with a soft cloth and keep it dry.

Produktinformation



Ersatzteile

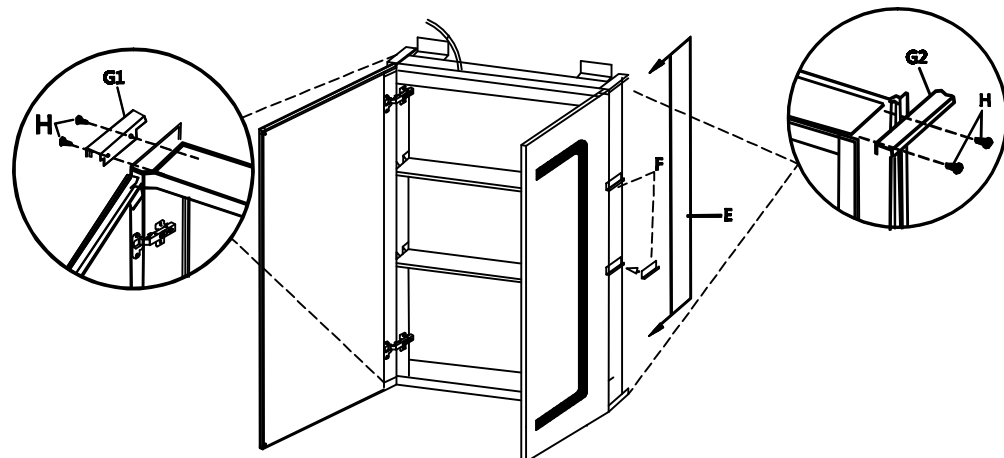


Werkzeuge (nicht in Lieferumfang)

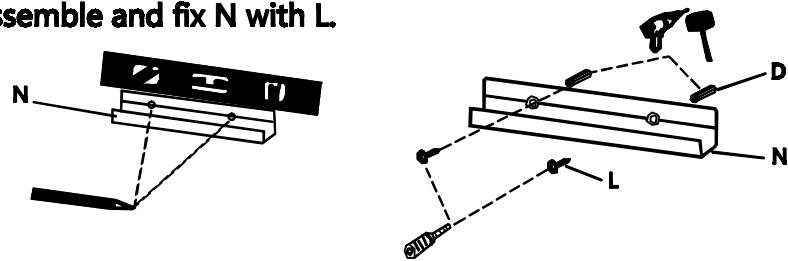


Montage-Schritte

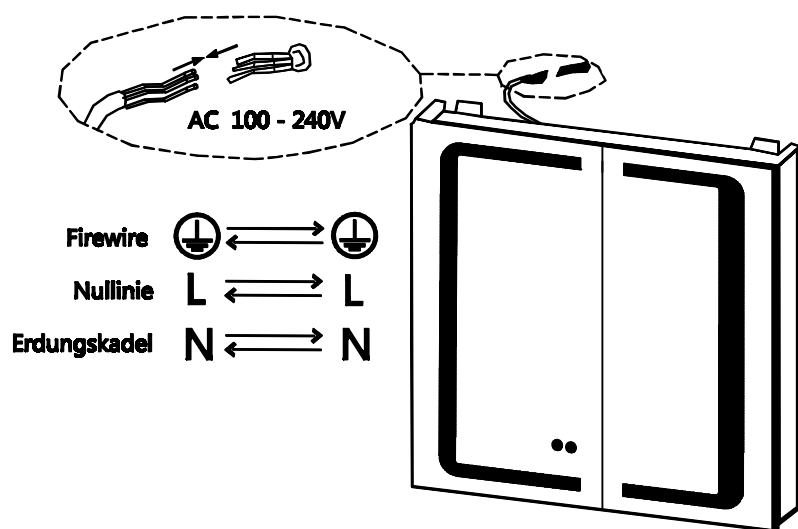
Schritt 1 Fasten the wall mounted brackets G1 and G2 to the four corners of the mirror cabinet with screw H. Glue side mirror F to the left and right sides of the mirror cabinet. Insert the side mirror E left and right into the previously installed wall mount G1 and G2



Schritt 2 Place the wall-mounted fixture N on the wall where you want to install the mirror cabinet. To do this, use the level available. Mark tightening holes. Drill a hole in the marked area and insert the expansion screw D. Assemble and fix N with L.

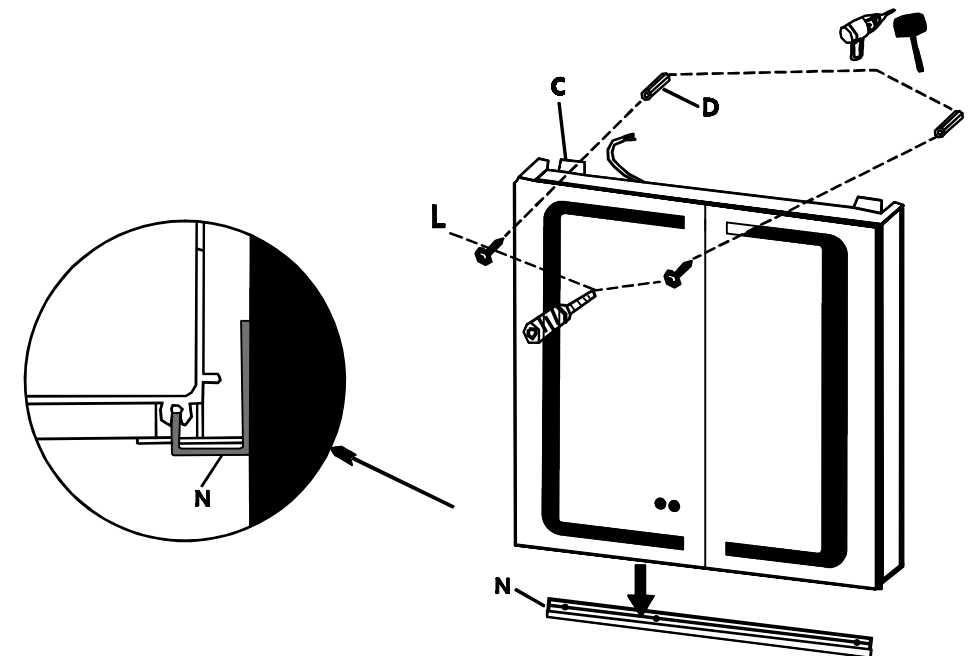


Schritt 3
Pay attention to safety when installing the mirror cabinet.
Eingangsspannung:
AC100V-240V
Before connecting the cable, turn on the power and connect the electrodes on the cable to the electrodes on the cable.

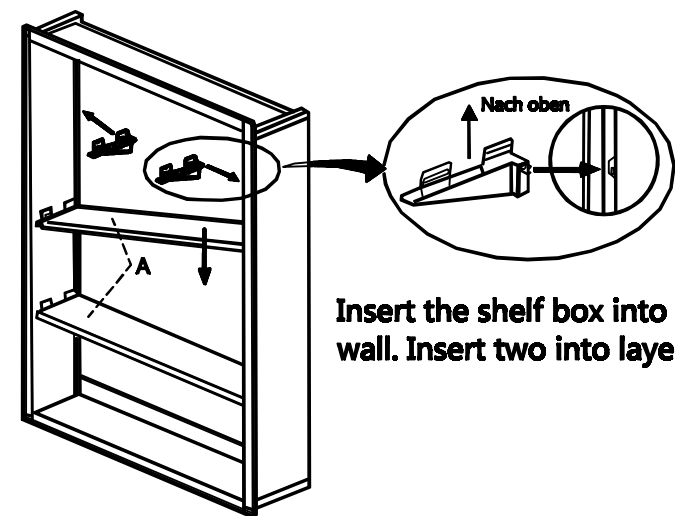


Schritt 4

Place the mirror cabinet on the previously installed wall fixture n. Mark mounting hole C and drill holes.



Montage-der Einlegeboden



Insert the shelf box into the hole in the side wall. Insert two into layer A on the shelf.