

Product Installation Manual

WARNING - if any Special Control Devices are used with this Fixture, Follow the instruction Carefully to assure fun compliance With N.E.C.requirements.if there are any questions, contact a Qualified Electrical Contractor.

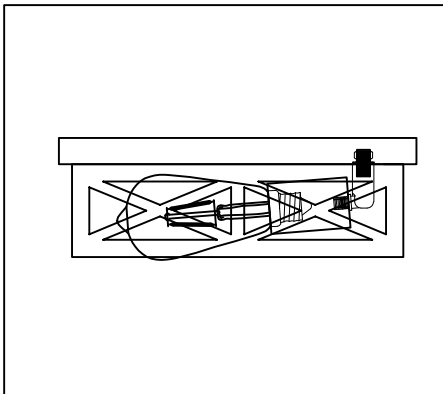
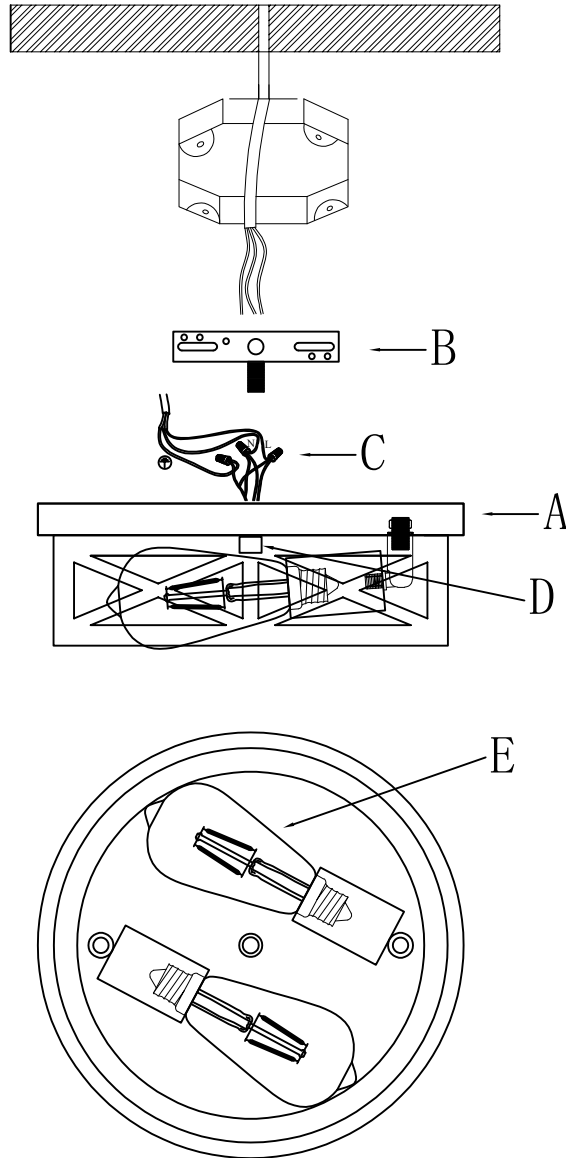
Attach(N).(P) to achieve overall desired length.
 Una(N),(P)Para lograr la longitud deseada.
 Joignez(N),(P) pour obtenir la Longueur voulue.

WHITE SUPPLY WIRRE WHITE(RIBBED)WIRE
 FROM HOUSE

BLACK SUPPLY WIRE BLACK (OR SMOOTH) WIRE
 FROM HOUSE

GREEN GROUND WIRE
 (BLACK COPPER BARE) GROUND WIRE (COPPER)
 FROM HOUSE

GREEN GROUND GREEN GROUND
 WIRE FROM SUPPLY



- 1.AC110~130V,50~60Hz.The Max lamps power is 60W TYPE S Bulb,
- 2.Aveid scratch the surface of lighting and the wires when install it.
3. Connect the live wire with the black wire, the naught wire with the white wire, and wrap the bare copper wire on the green screw with the symbol (L-L,N-N.)
4. Do not install it to on the ceiling before it is completely dry, The surrounding environment must be ventilated and dry.
- 5.Keep away from acid, alkali and gases, clean it with a soft cloth, water washing is not allowed.
- 6.The lighting must be installed by professinal electrican and used indoor only
- 7.Please keep attention to cutting off the power supply when installing or replacing a bulb.