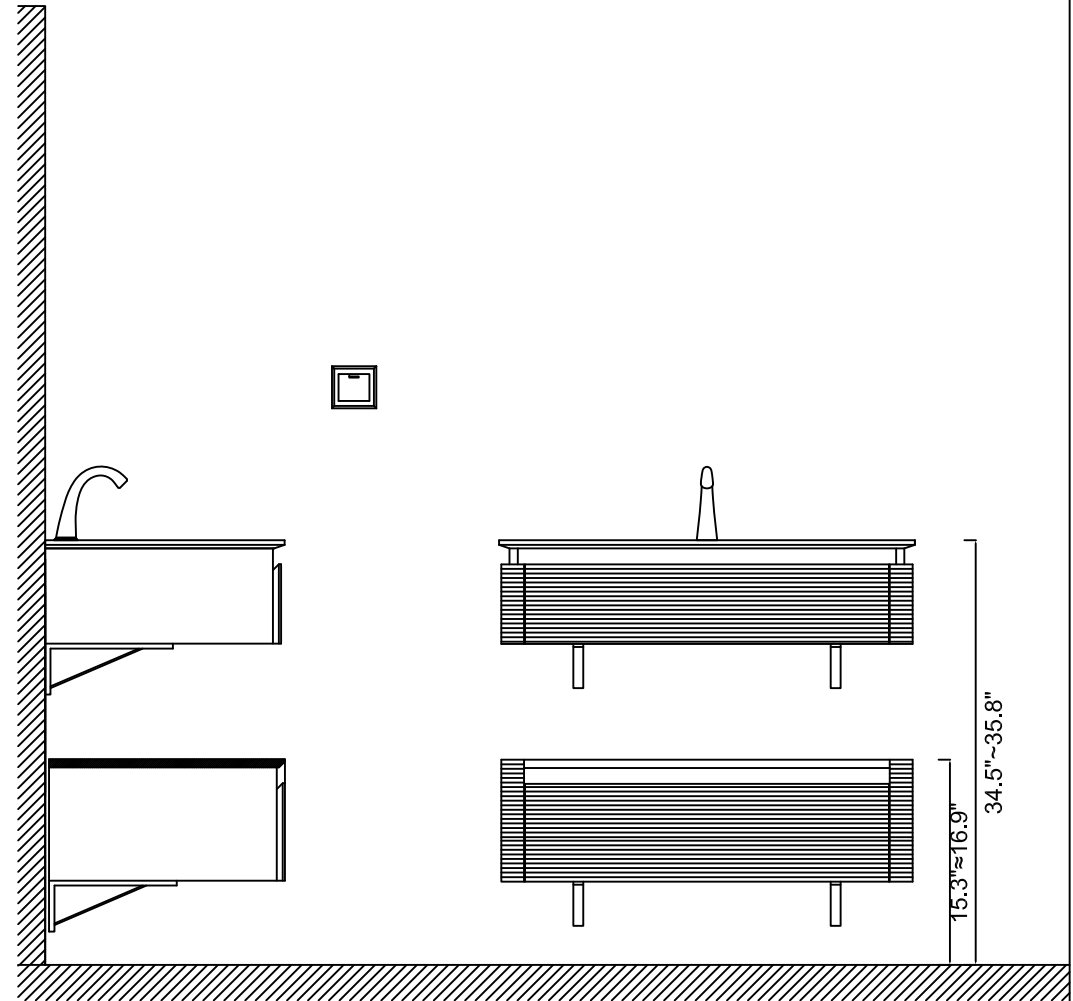


INSTALLATION INSTRUCTIONS

Confidential : A

PROHIBIT COPY

- Prior to installation please check received items against the Packing List .If any part is missing or damaged, please do not return the product to the store and contact us;
- Protect all surfaces from sharp objects , high heat sources,direct prolonged sunlight and chemical hazards .
- Professional installation is recommended !



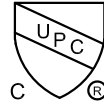
INSTALLATION INSTRUCTIONS

Confidential : A

PROHIBIT COPY

NOTE

1. Ceramic sink: cUPC certified.



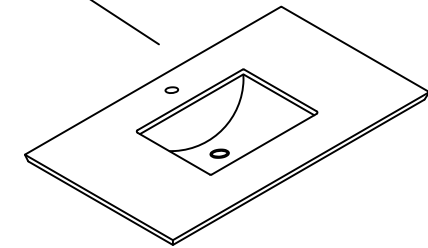
2. LED light :

a. The LED light is replaceable, if it is damaged, please contact us ;

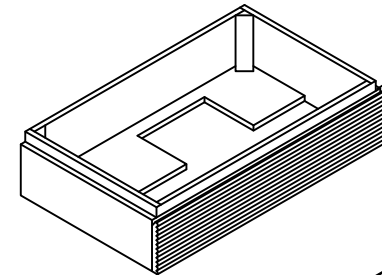
b. LED light should be connected to the wall switch for turning on/off.

c. UL certified & IP67 for water proof.

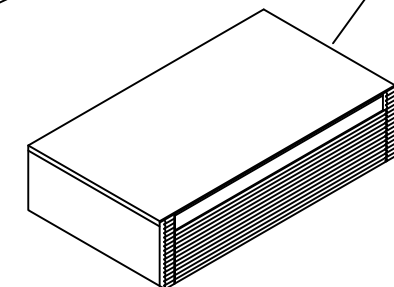
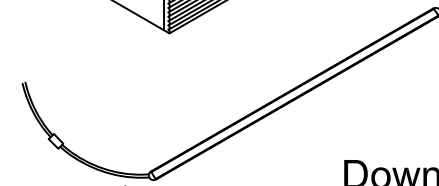
Marble top with ceramic sink



Up Vanity

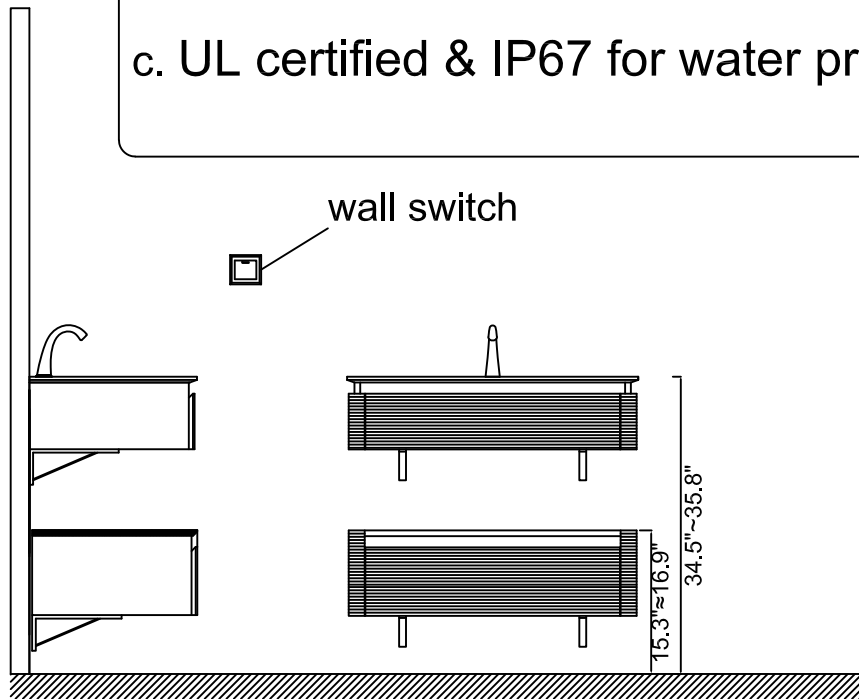


Down Vanity



LED light
(pre-assembled on the
bottom of the vanity)

wall switch



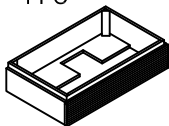
INSTALLATION INSTRUCTIONS

Confidential : A

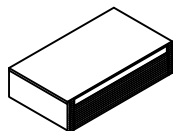
PROHIBIT COPY

PACKING LIST

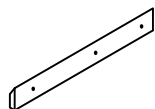
A1 Up Vanity
1 PC



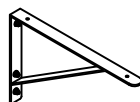
A2 Down Vanity
1 PC



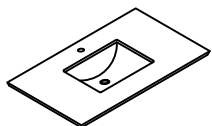
B Wood Cleat
2 PCS



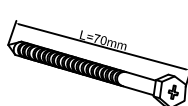
C Metal Bracket
4 PCS



D TOP
1 PC

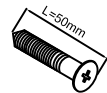


E Wood Screw
8 PCS



M6 x 70

F Wood Screw
14 PCS



M5 x 50

G Wood Screw
8 PCS



M4 x 15

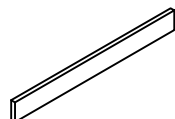
H Wall Anchor
22 PCS



I Metal Washers
8 PCS



J Backsplash
1 PC



TOOLS REQUIRED

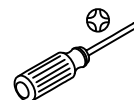
Drill Bits



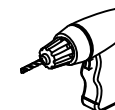
Ø3/8" (8mm)dia.

HSS

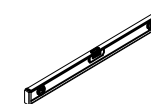
Screw Driver



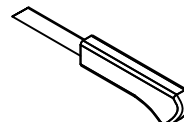
Drill



Level



Knife



Glove



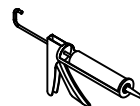
MASONRY DRILL BIT FOR
TILE Ø3/8" (8mm)



Safety Glasses



Silicone



Measuring Tape



Soft Head
Hammer



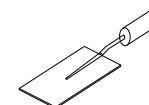
Pencil



Wood stud finder



Shovel



INSTALLATION INSTRUCTIONS

Confidential : A

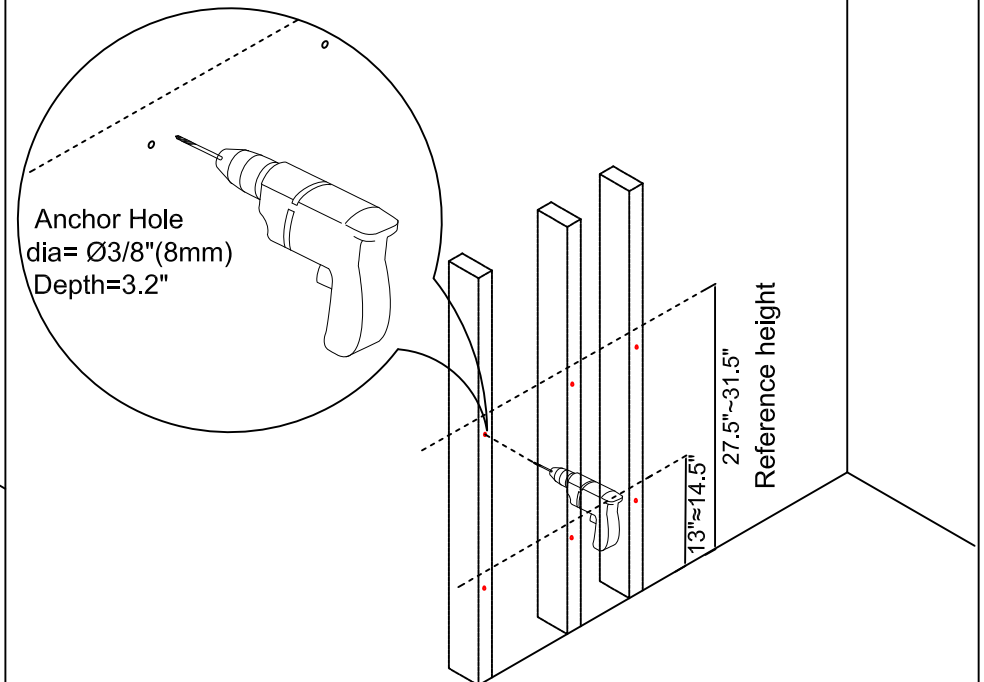
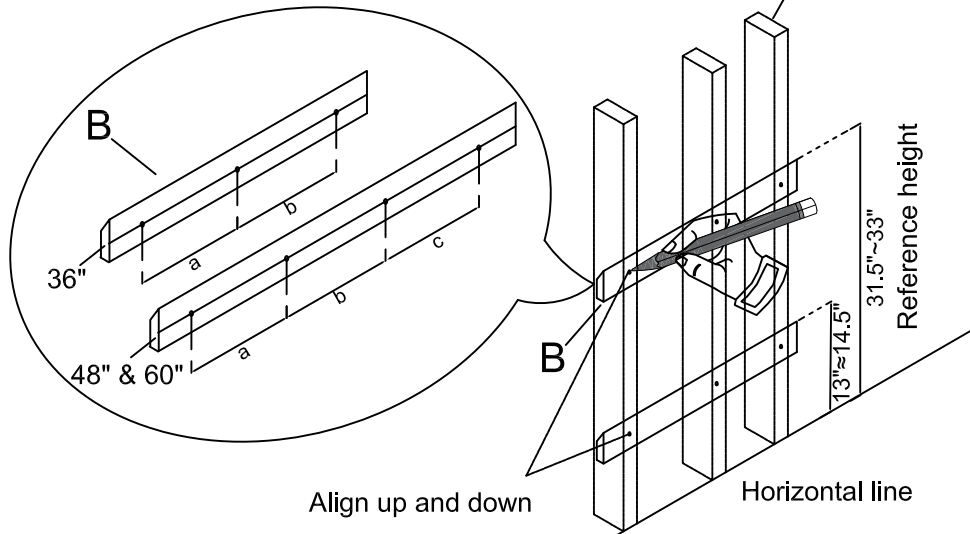
PROHIBIT COPY

- STEP 1:**
- Use a wood stud finder to locate the wood studs behind the walls.
 - Use a pencil to mark the installation location for the **Wood Cleats (B)**.
 - Use a level to ensure the **Wood Cleats (B)** will be level before installing to the wall.

- STEP 2:** Drill the anchor holes according to the marks using a drill.

NOTE Make sure the screw holes must be on the wood studs otherwise the vanity will fall out because the dry wall cannot hold the cabinet.

vanity	hole	a	b	c
36"	3	12"	12"	-
48"	4	12"	12"	12"
60"	4	12"	24"	12"

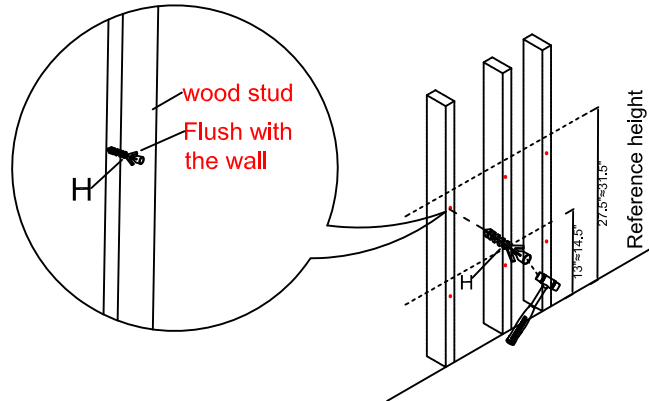


INSTALLATION INSTRUCTIONS

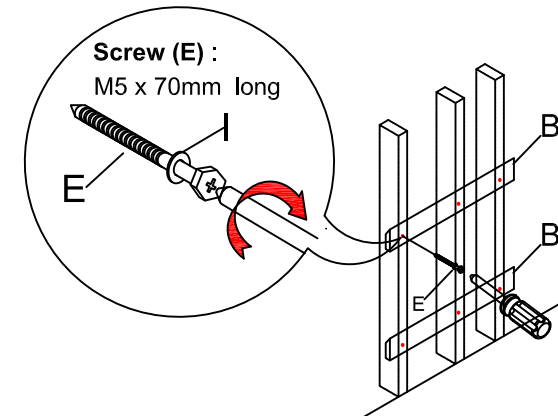
Confidential : A

PROHIBIT COPY

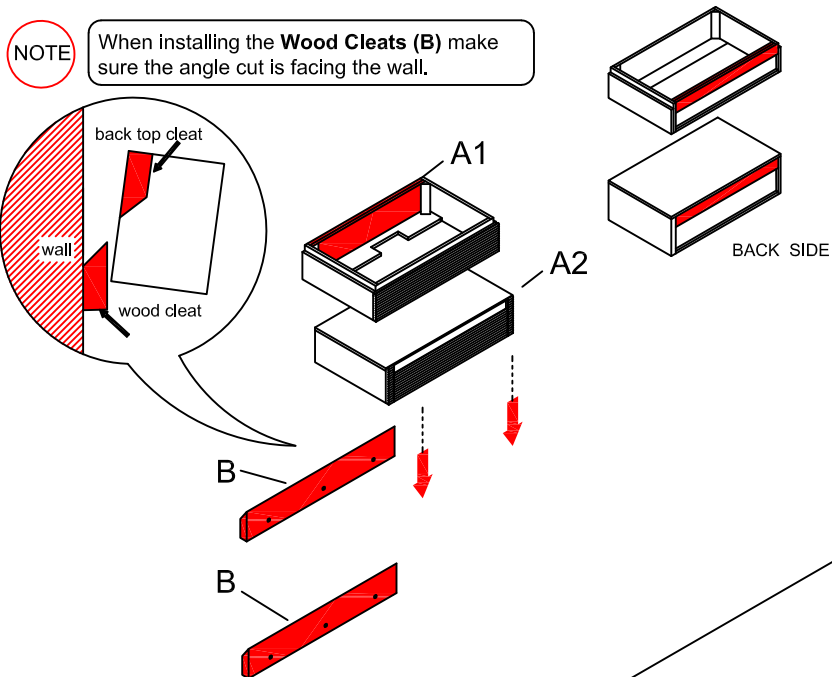
STEP 3: Install the **Wall Anchors (H)** provided into the wall with hammer.



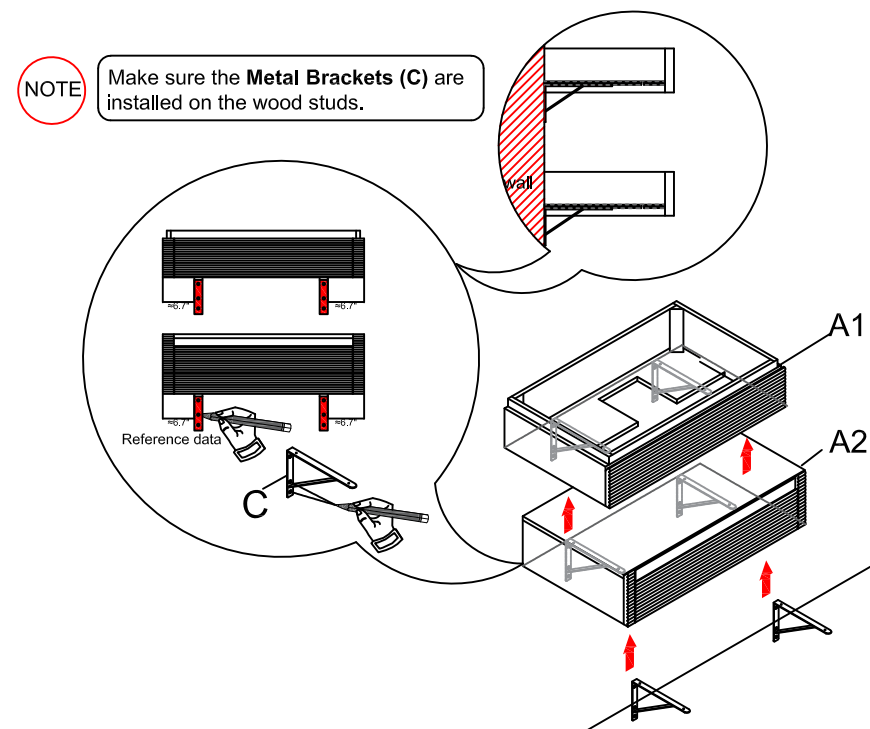
STEP 4: Install the **Wood cleats (B)** to the wood studs by screw driver.



STEP 5: With help from another person, carefully hang the **Up Vanity (A1)** and **Down Vanity (A2)** onto the **Wood Cleats (B)**.



STEP 6: Using a pencil to mark the installation location for the **Metal Brackets (C)**.



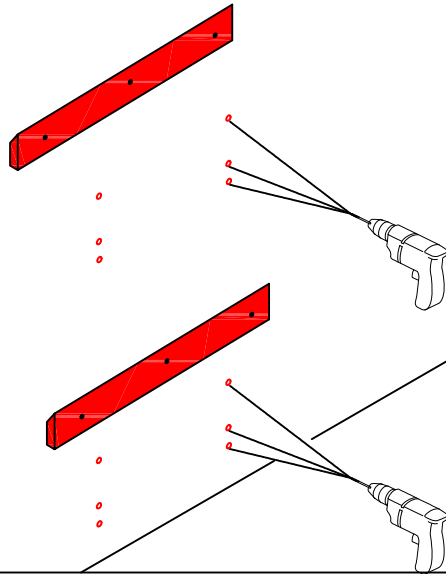
INSTALLATION INSTRUCTIONS

Confidential : A

PROHIBIT COPY

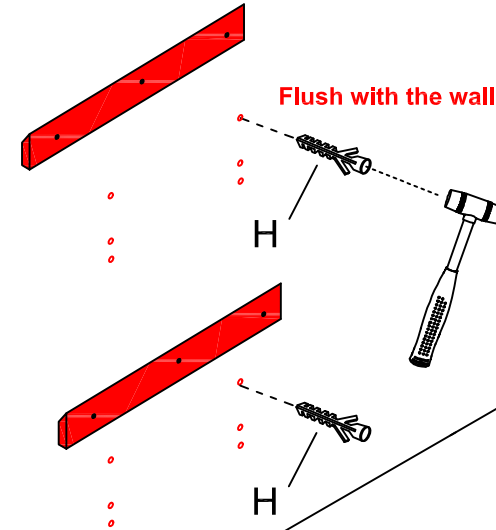
STEP 7: Carefully remove the **Up Vanity (A1)** and **Down Vanity (A2)** with the help from another person, and then drill the anchor holes according to the marks using a drill.

Anchor Hole
dia= $\varnothing 3/8$ "(8mm)
Depth=3.2"



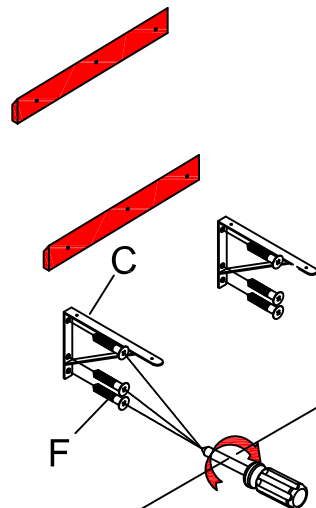
STEP 8: Install the **Wall Anchors (H)** provided into the wall with hammer.

Flush with the wall

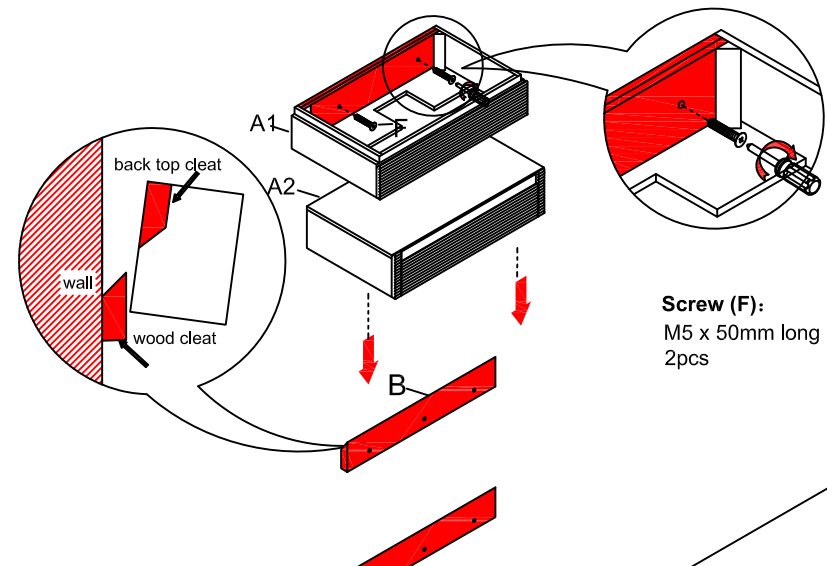


STEP 9: Install the **Metal Brackets (C)** to the wood studs by screw driver.

Screw (F):
M5 x 50mm long
6pcs



STEP 10: Hang the **Up Vanity (A1)** and **Down Vanity (A2)** to the wall and then connect the **Up Vanity (A1)** to the **Wood Cleat (B)** with the 2 **Screws (F)** provided.

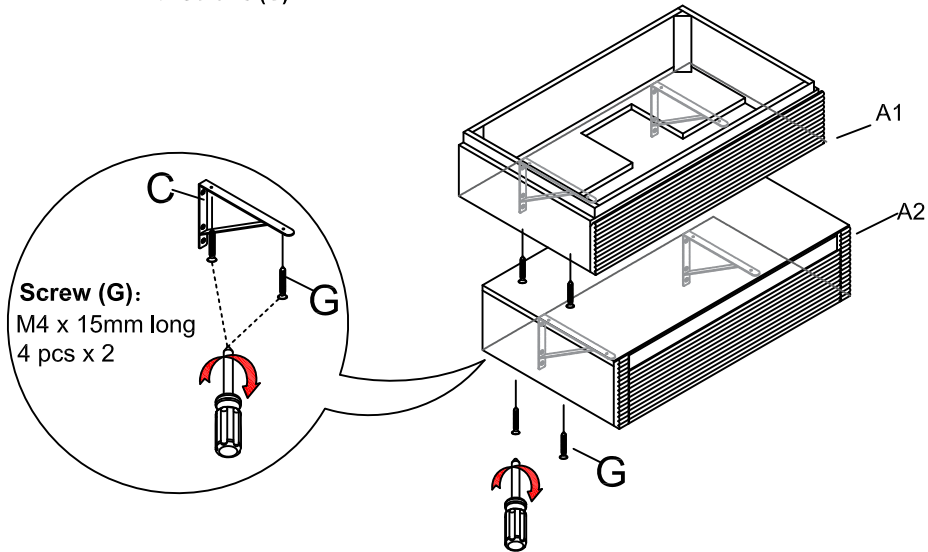


INSTALLATION INSTRUCTIONS

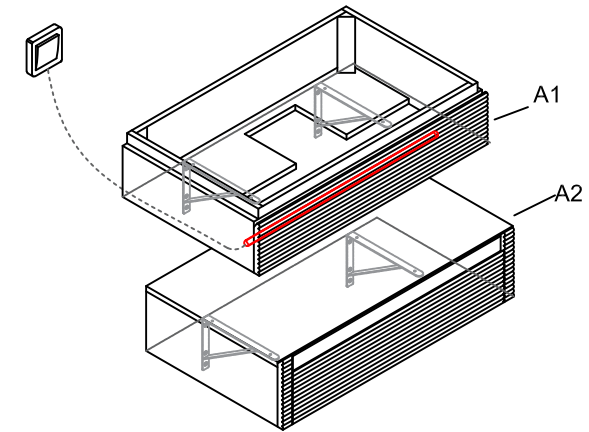
Confidential : A

PROHIBIT COPY

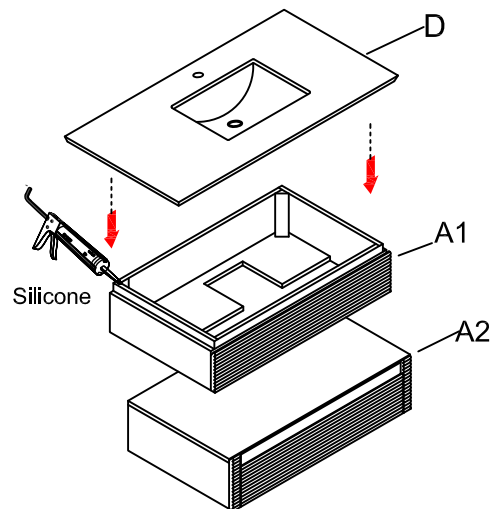
STEP 11: Connect the **Metal Brackets (C)** to the **Up Vanity (A1)** and **Down Vanity (A2)** with **Screws (G)**.



STEP 12: Connect the electrical wire to the wall switch for turning on/off.



STEP 13: Apply the silicone to the top of the **Up Vanity (A1)** and then install the **Top (D)** onto the **Up Vanity (A1)** with the help from another person.



STEP 14: Installing the **Backsplash (J)**

- Apply silicone to the back of the **Backsplash (J)**.
- Place the **Backsplash (J)** on the **Up Vanity (A1)**. Be sure to align the **Backsplash (J)** with the top of the **Up Vanity (A1)**.
- Allow the silicone to dry before using the vanity.
- Gently remove excess glue from the connecting area by shovel.
- Let the Vanity and Backsplash sit for 24 hour before use.

