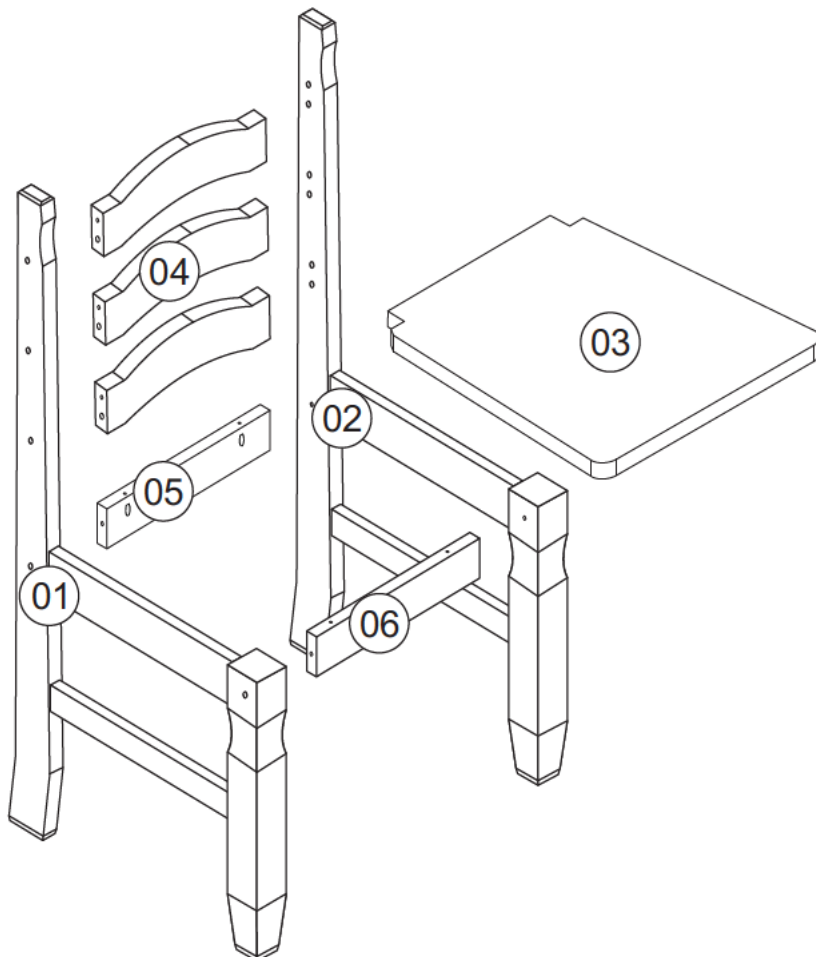
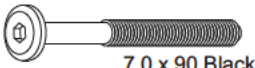








# CHAIR

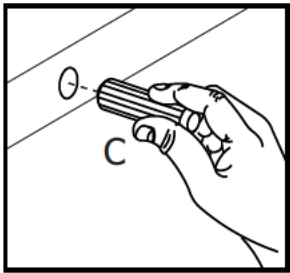
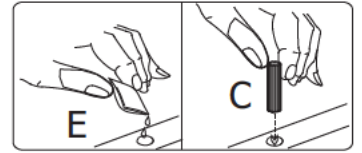
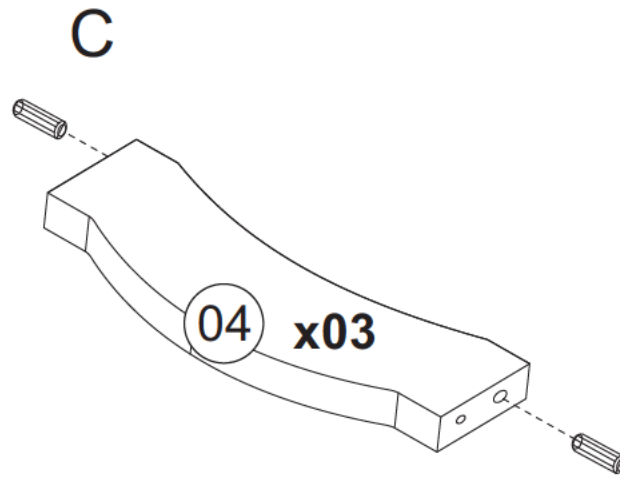


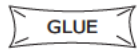

- Please check that all parts and fittings are correct before assembling the item.
- Replacement parts can be supplied for any damages to the item.
- Please keep all packaging until the item is assembled as we will require information from this if replacement parts are required.



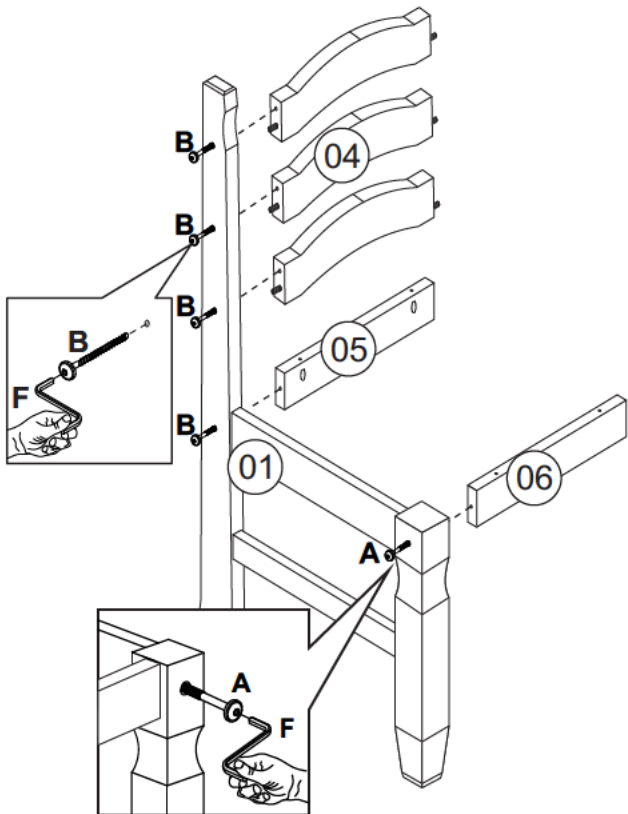
		1 CHAIR	2 CHAIRS
A	 7.0 x 90 Black	02	04
B	 7 x 60 Black	08	16
C	 8,0 x 30	06	12
D	 4,0 x 35	04	08
E		01	01
F		01	01
G		06	12




01



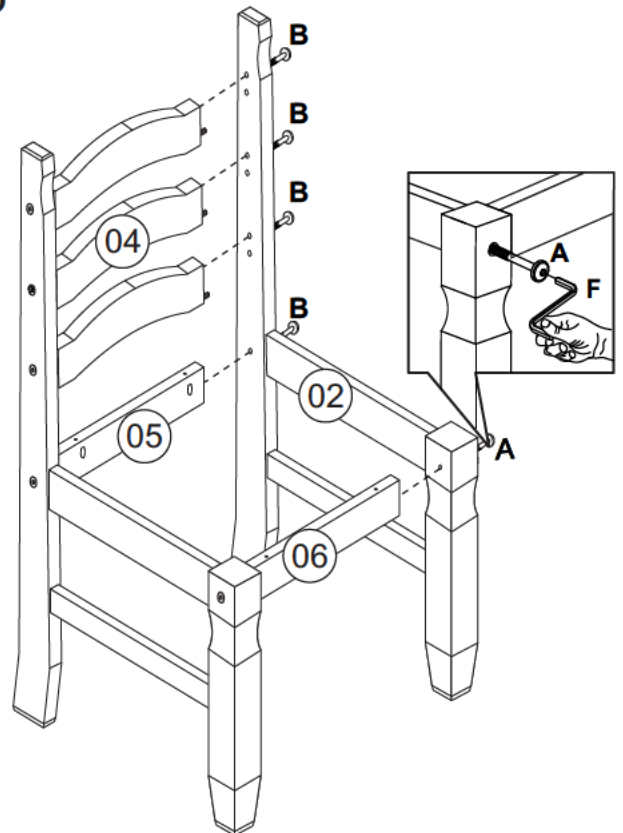
E		01
C		06

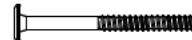


02



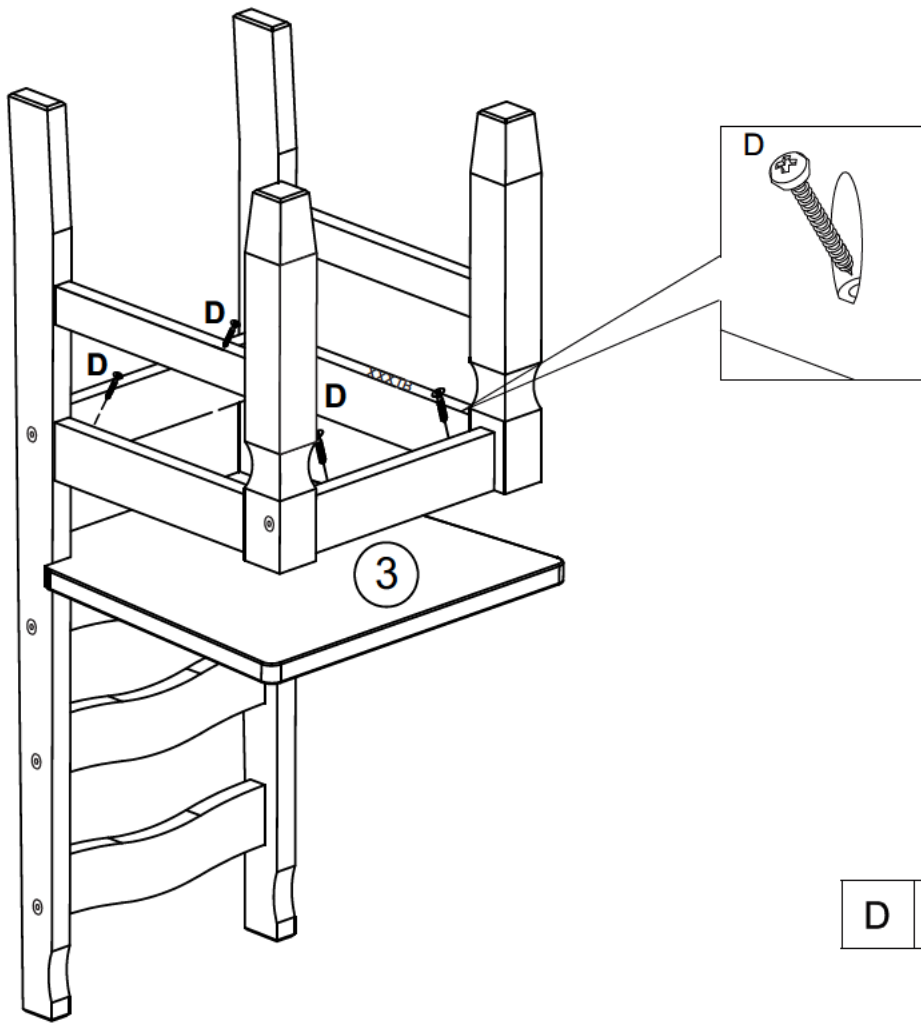
A		01
B		04
F		01


03




A		01
B		04
F		01

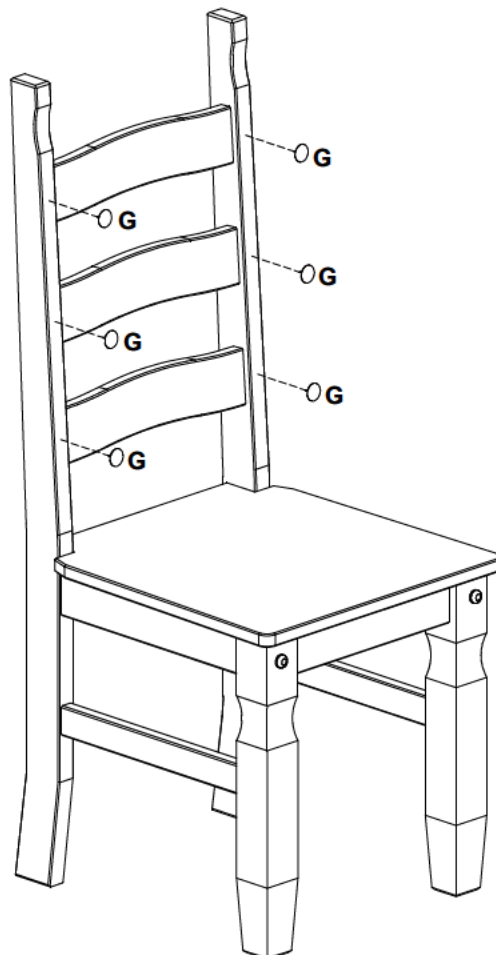
04



  
Assemble on a clean soft surface to avoid damage.

D	 Ø4,0 x 35	04
---	--	----

05



G		06
---	---	----