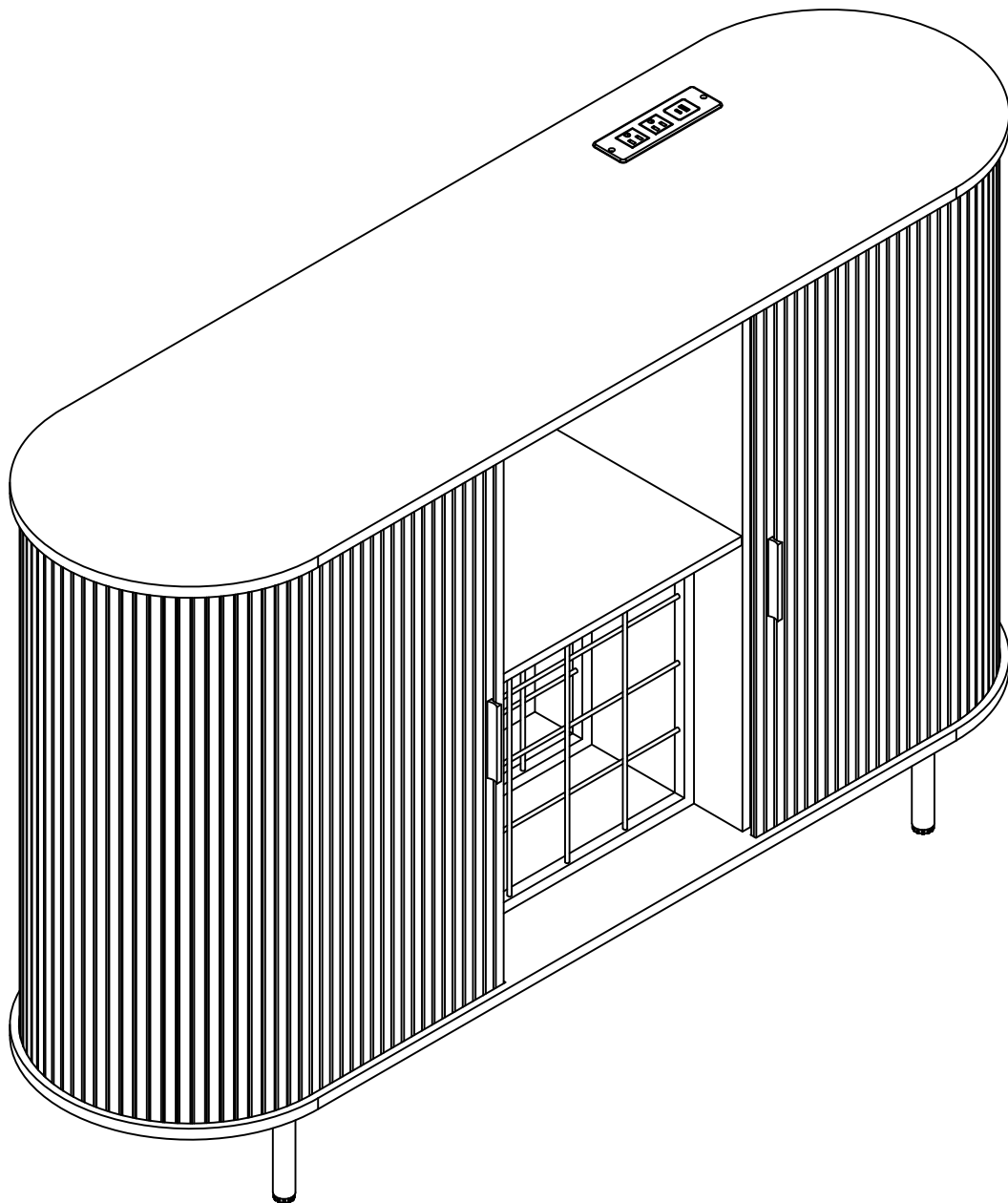


# Tambour Door Wine Cabinet

Assembly Instruction



## INTRODUCTION

Thank you for purchasing our products. Please read the instructions carefully before installation and keep it in a safe place for future reference. If you need any assistance or support, please feel free to contact our customer support team.

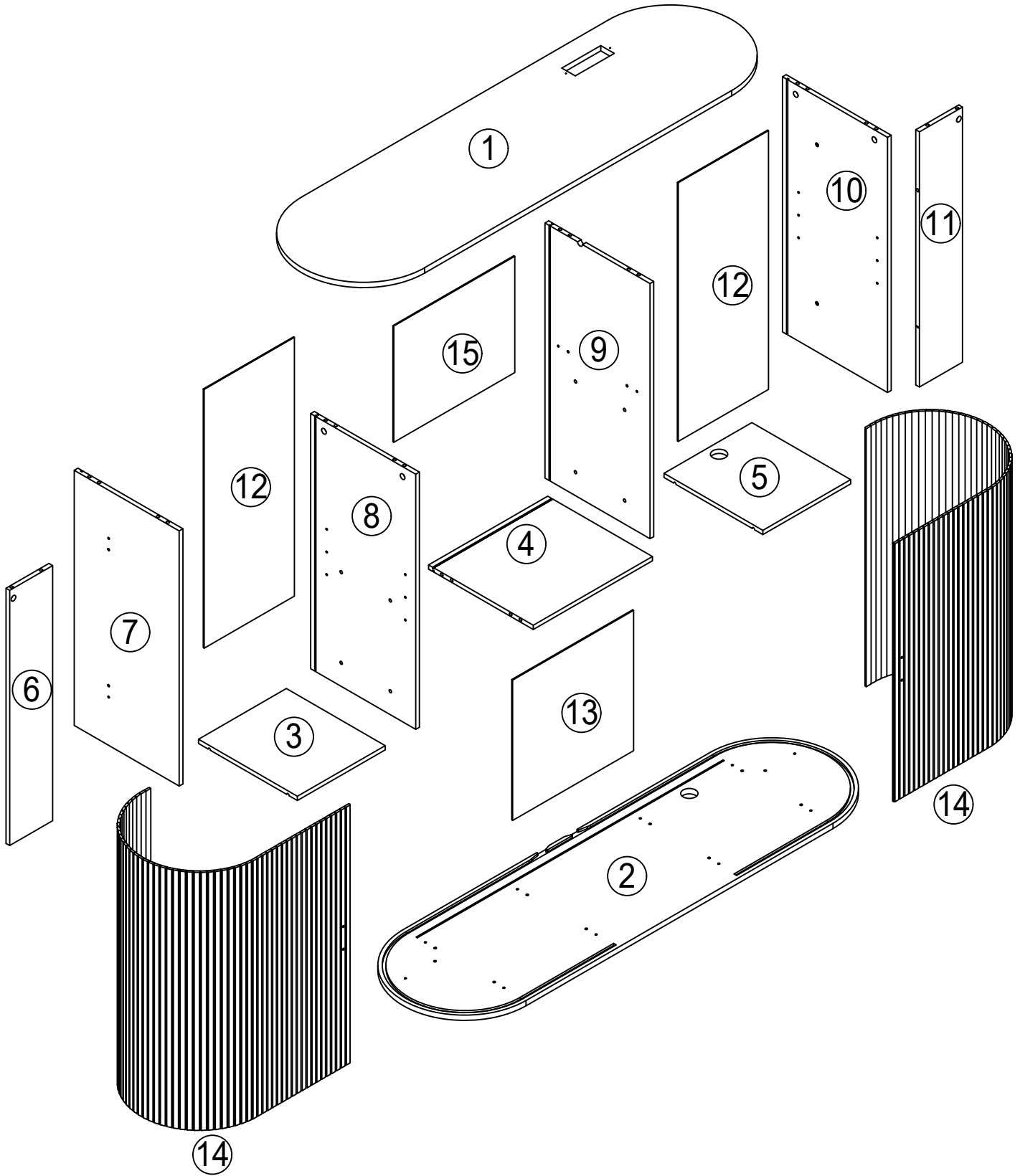
## PRECAUTIONS

1. There are many components and accessories in the package. Each component and accessory is labeled with a letter or a number, check carefully before using any of them. Keep them away from children to prevent accidents.
2. Please install the product on a clean and soft underlay (such as carpet or cardboard) to avoid scratching or damaging the surface of the product.
3. The main components of the product is relatively heavy. Please pay attention to safety during installation.
4. The product is not stable during installation. Please do not move it randomly before it is completely installed.
5. This product requires two people to install.
6. If you have any questions during installation, please contact the customer service in time.

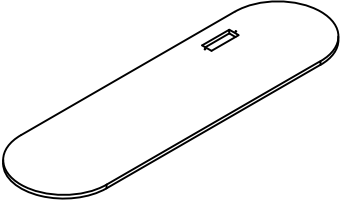
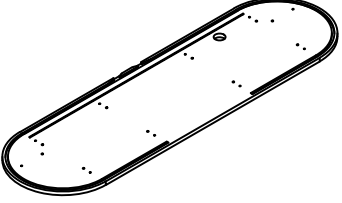
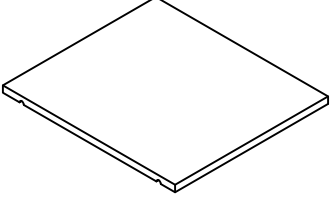
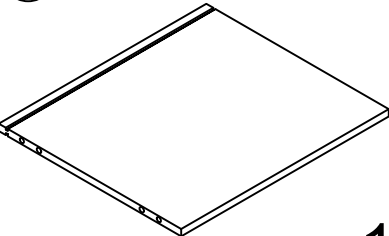
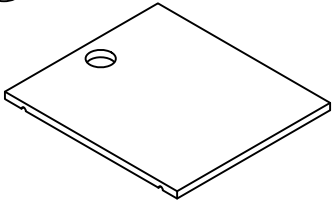

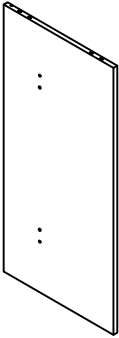
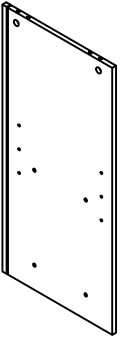
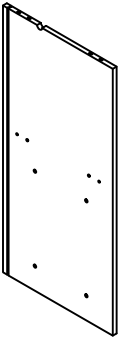
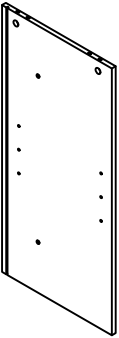
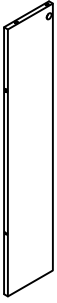
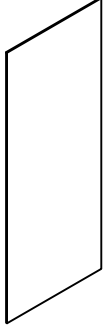
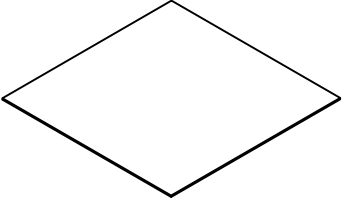
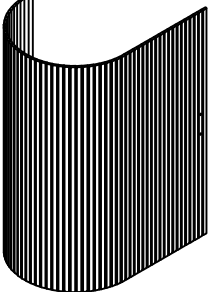
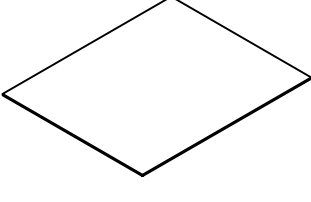
\*PLEASE BE SURE TO FOLLOW THE INSTALLATION STEPS IN THE MANUAL TO AVOID UNNECESSARY LOSSES CAUSED BY IMPROPER INSTALLATION.

\*IF YOU NEED FURTHER ASSISTANCE, PLEASE CONTACT THE CUSTOMER SERVICE ONLINE.

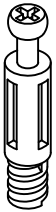


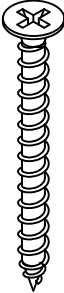
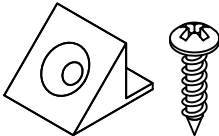
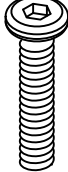
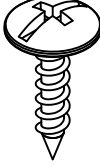

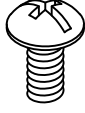


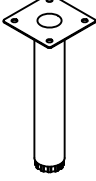
# Parts List



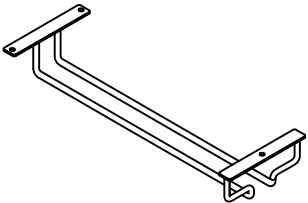
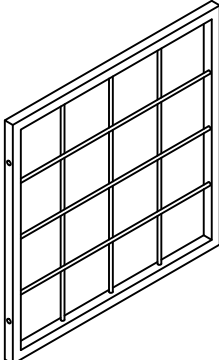
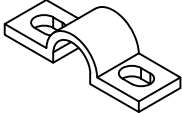

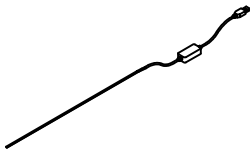
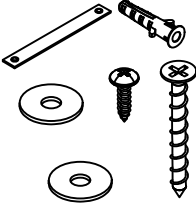
## Parts List

<p>①</p>  <p>x1</p>	<p>②</p>  <p>x1</p>	<p>③</p>  <p>x1</p>
<p>④</p>  <p>x1</p>	<p>⑤</p>  <p>x1</p>	<p>⑥</p>  <p>x1</p>
<p>⑦</p>  <p>x1</p>	<p>⑧</p>  <p>x1</p>	<p>⑨</p>  <p>x1</p>
<p>⑩</p>  <p>x1</p>	<p>⑪</p>  <p>x1</p>	<p>⑫</p>  <p>x2</p>
<p>⑬</p>  <p>x1</p>	<p>⑭</p>  <p>x2</p>	<p>⑮</p>  <p>x1</p>



## Hardwear List

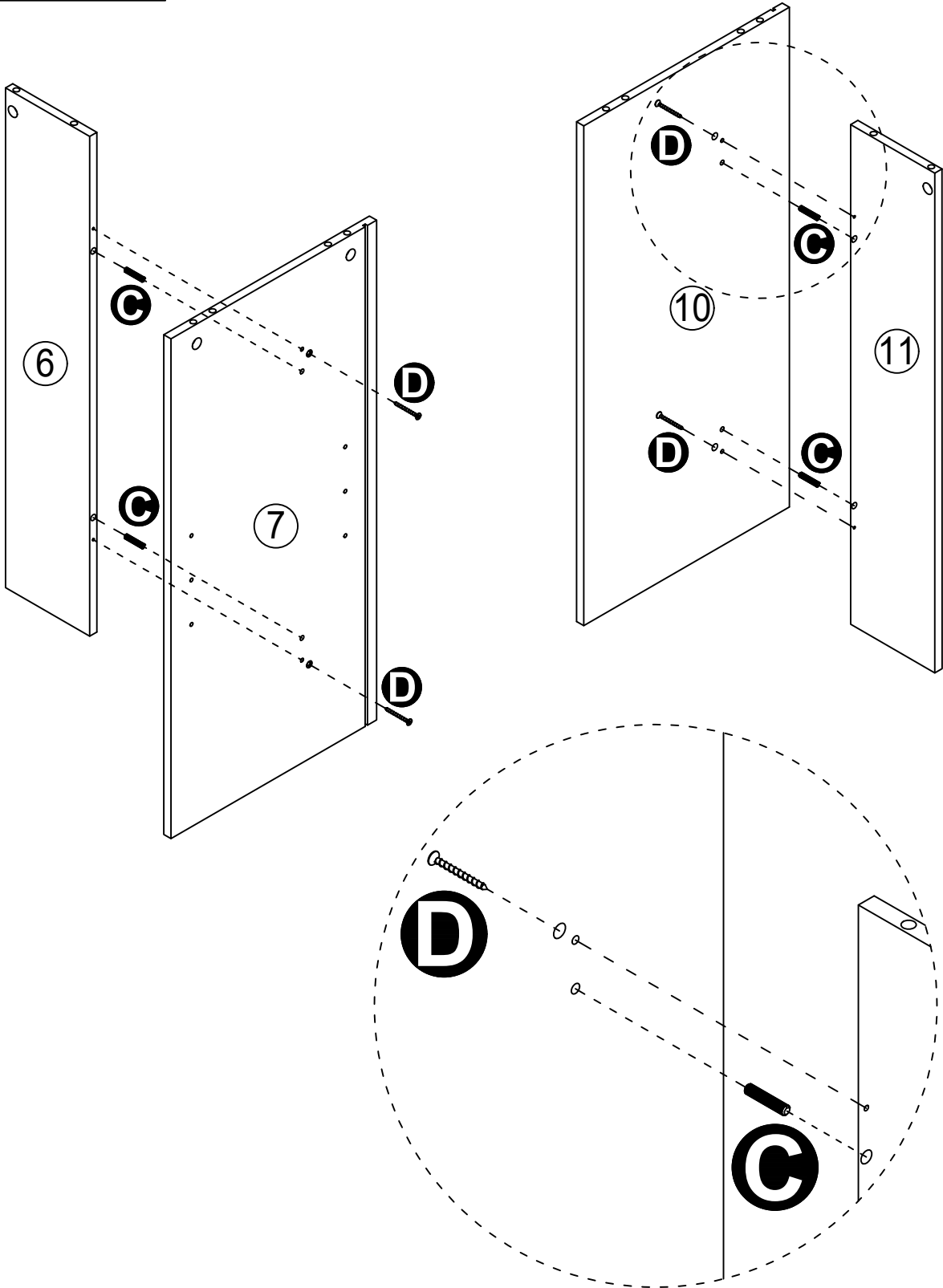
<b>A</b>  Ø6.5x35mm x14	<b>B</b>  Ø15x9.5mm x14	<b>C</b>  Ø6x30mm x28
<b>D</b>  Ø4x40mm x14	<b>E</b>  x16	<b>F</b>  M6x20mm x8
<b>G</b>  Ø4x14mm x29	<b>H</b>  Ø3x12mm x4	<b>I</b>  M4x9mm x4
<b>J</b>  x2	<b>K</b>  Ø5x25mm x8	<b>L</b>  x5

# Hardware List

<p><b>M</b></p>  <p>x3</p>	<p><b>N</b></p>  <p>x2</p>	<p><b>O</b></p>  <p>x1</p>
<p><b>P</b></p>  <p>x1</p>	<p><b>Q</b></p>  <p>x1</p>	<p><b>R</b></p>  <p>x2</p>

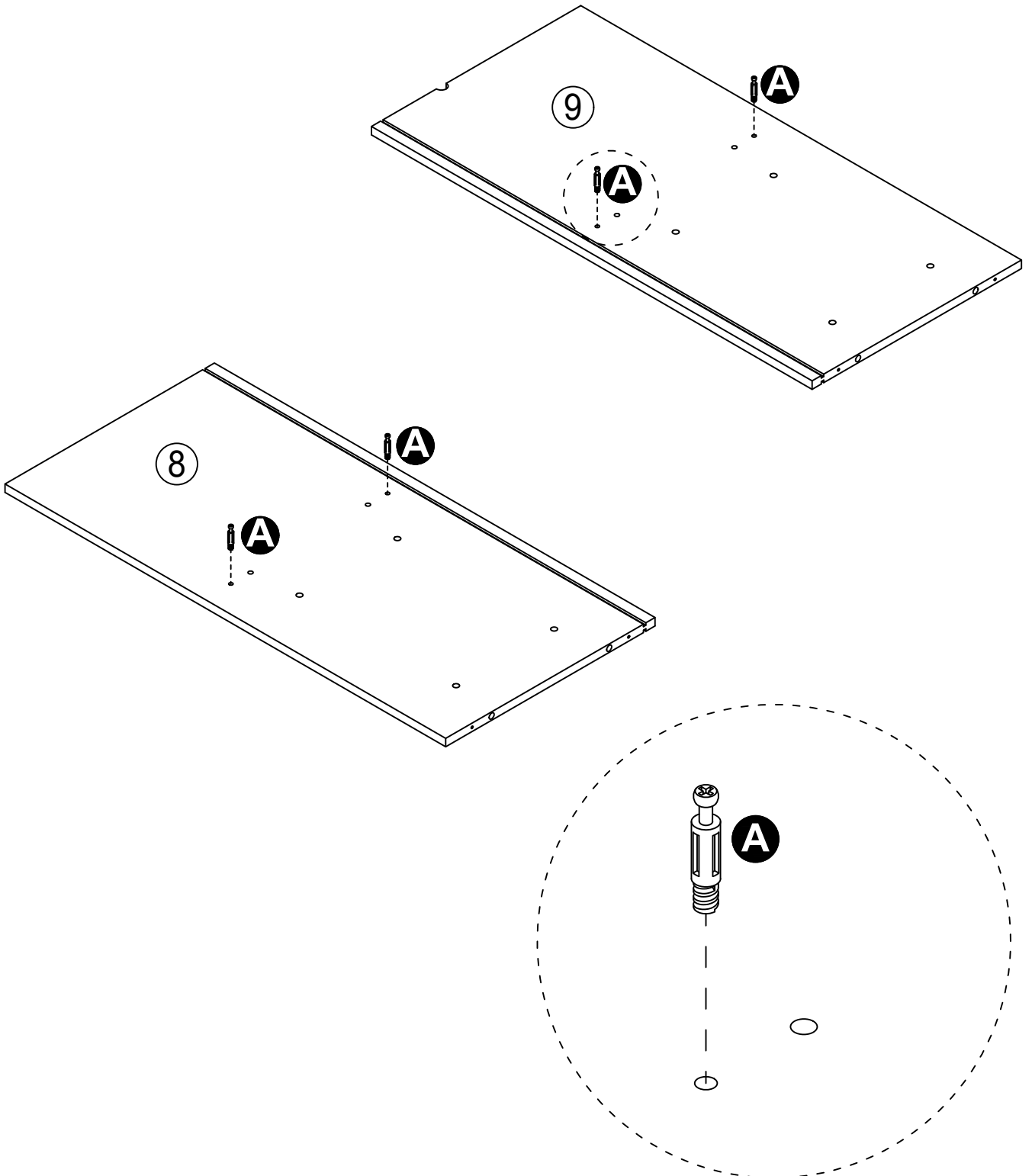
STEP 1

-  **C** X4
-  **D** X4





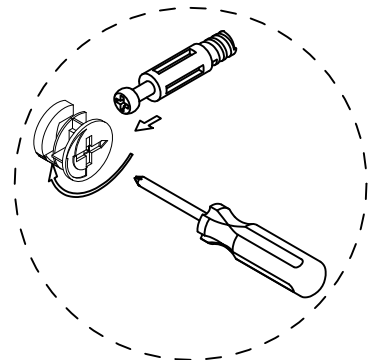
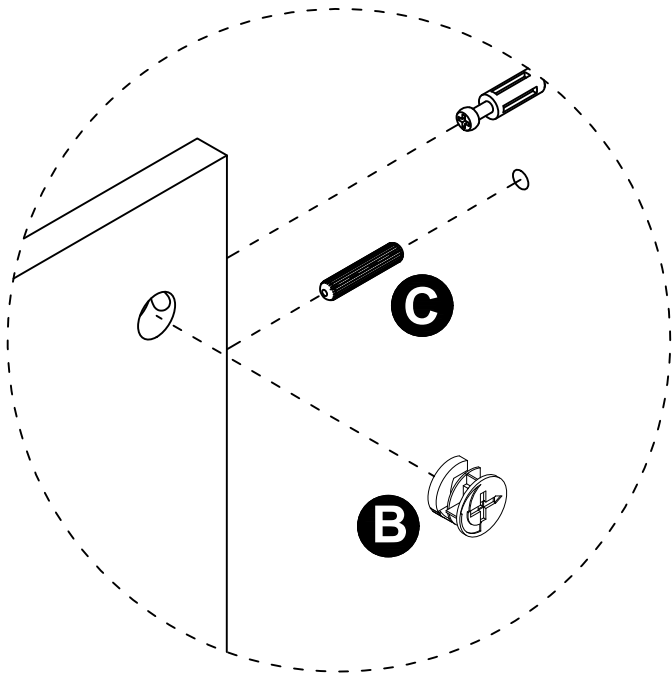
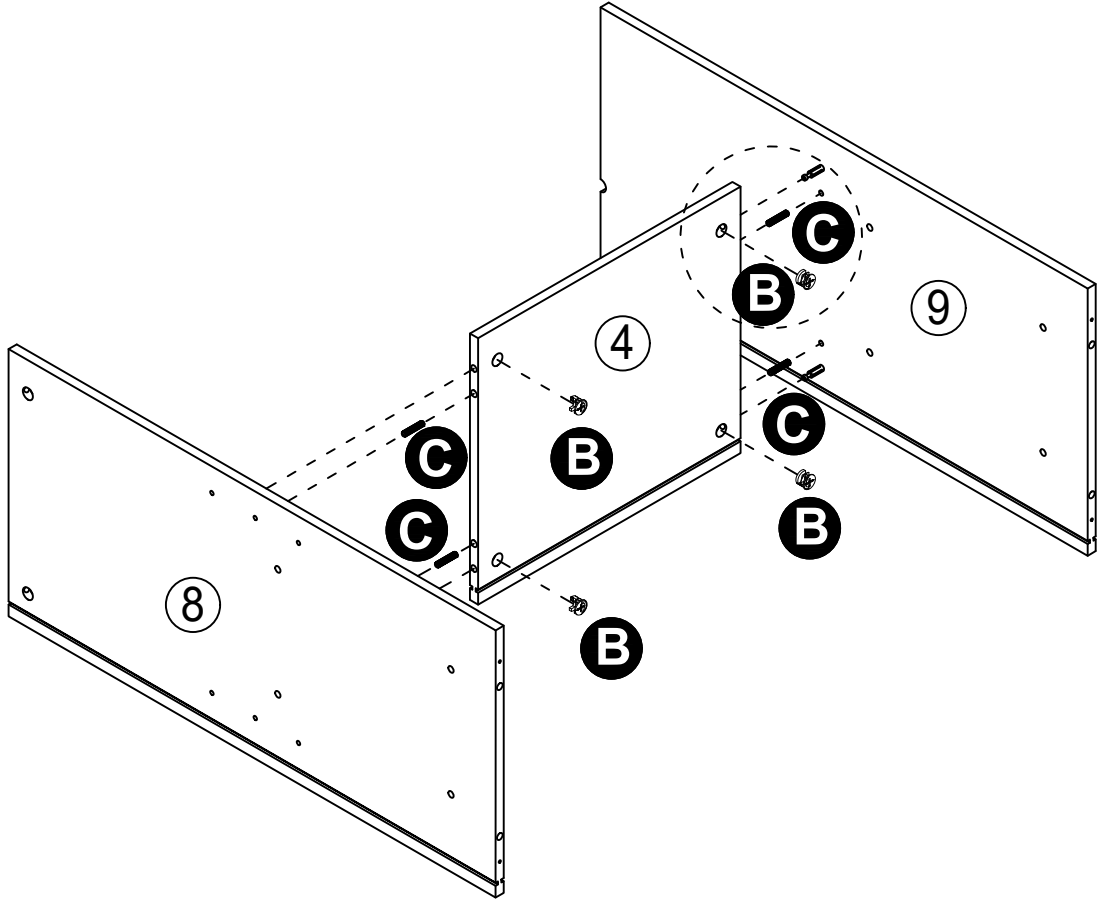
---

STEP 2



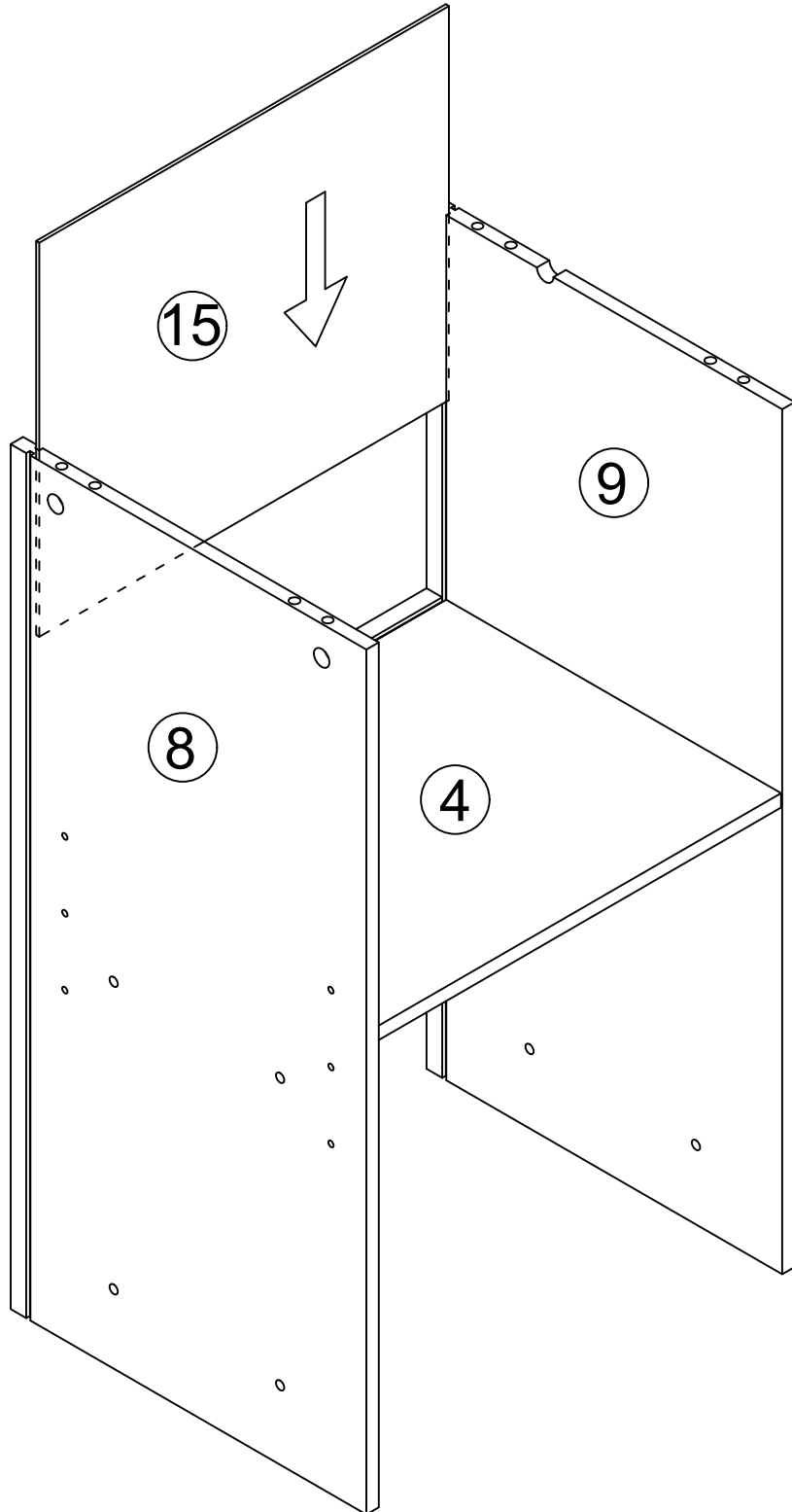
STEP 3

-  **B** X4
-  **C** X4







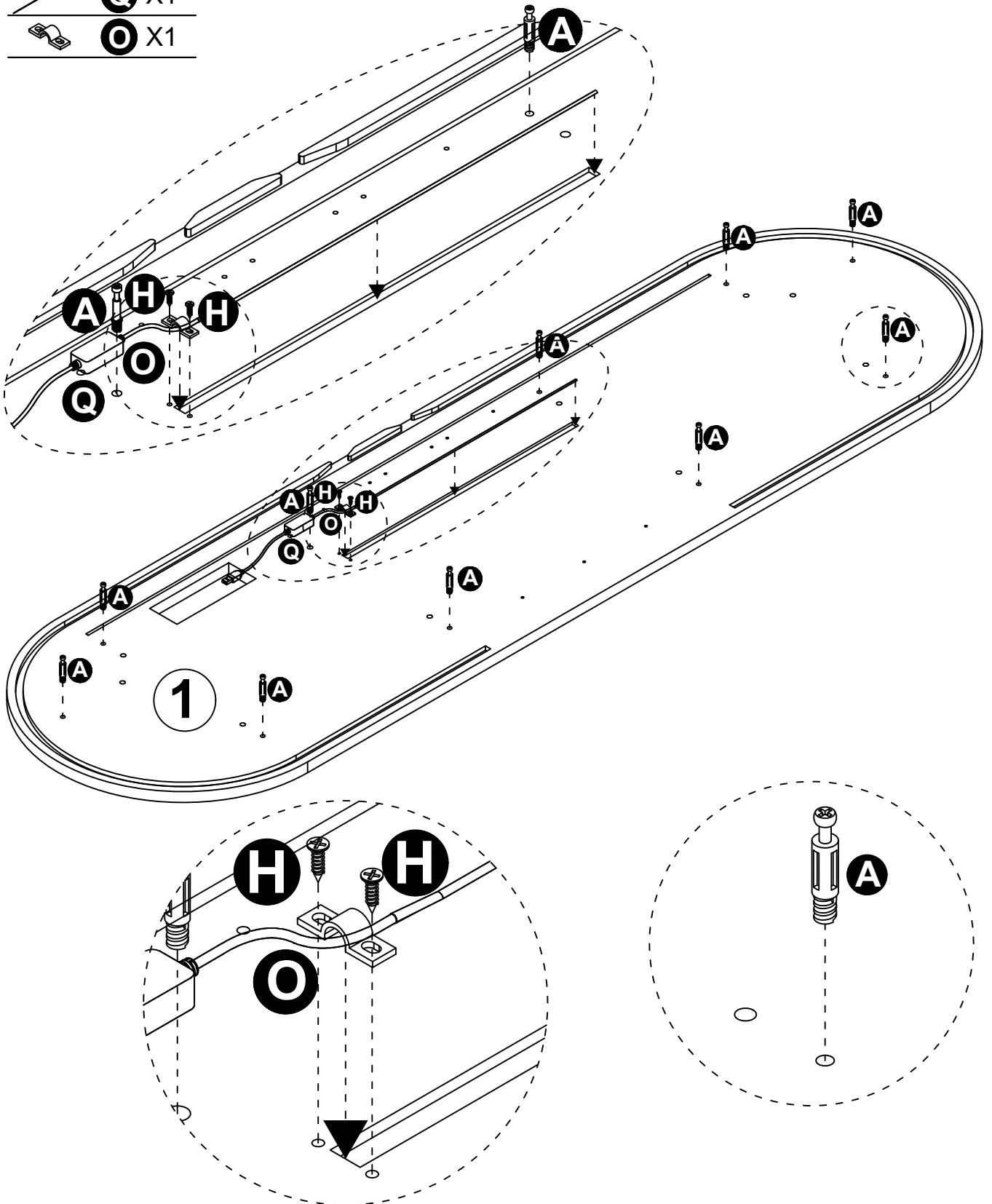
---

STEP 4





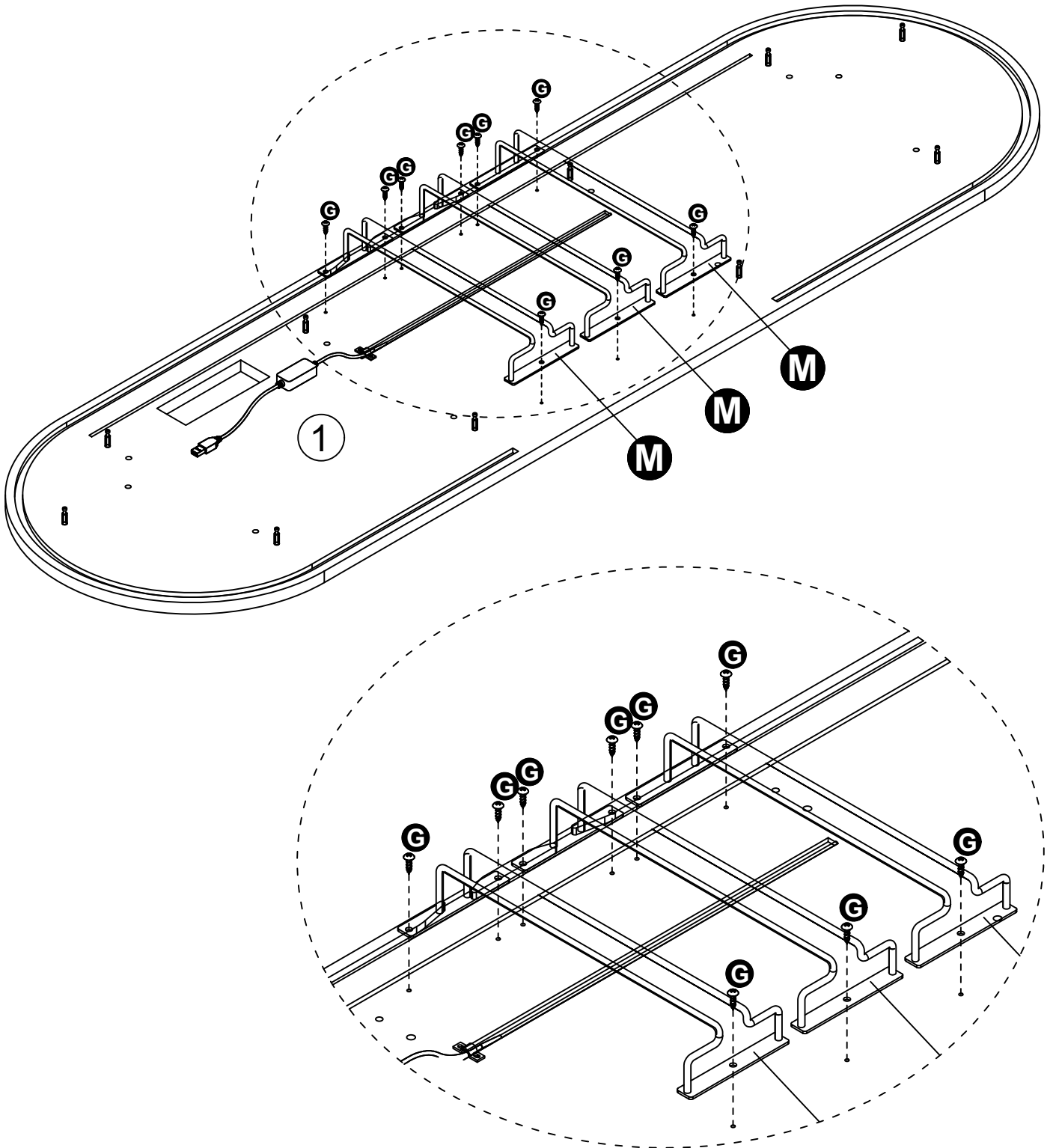
STEP 5

	<b>A</b> X10
	<b>H</b> X2
	<b>Q</b> X1
	<b>O</b> X1





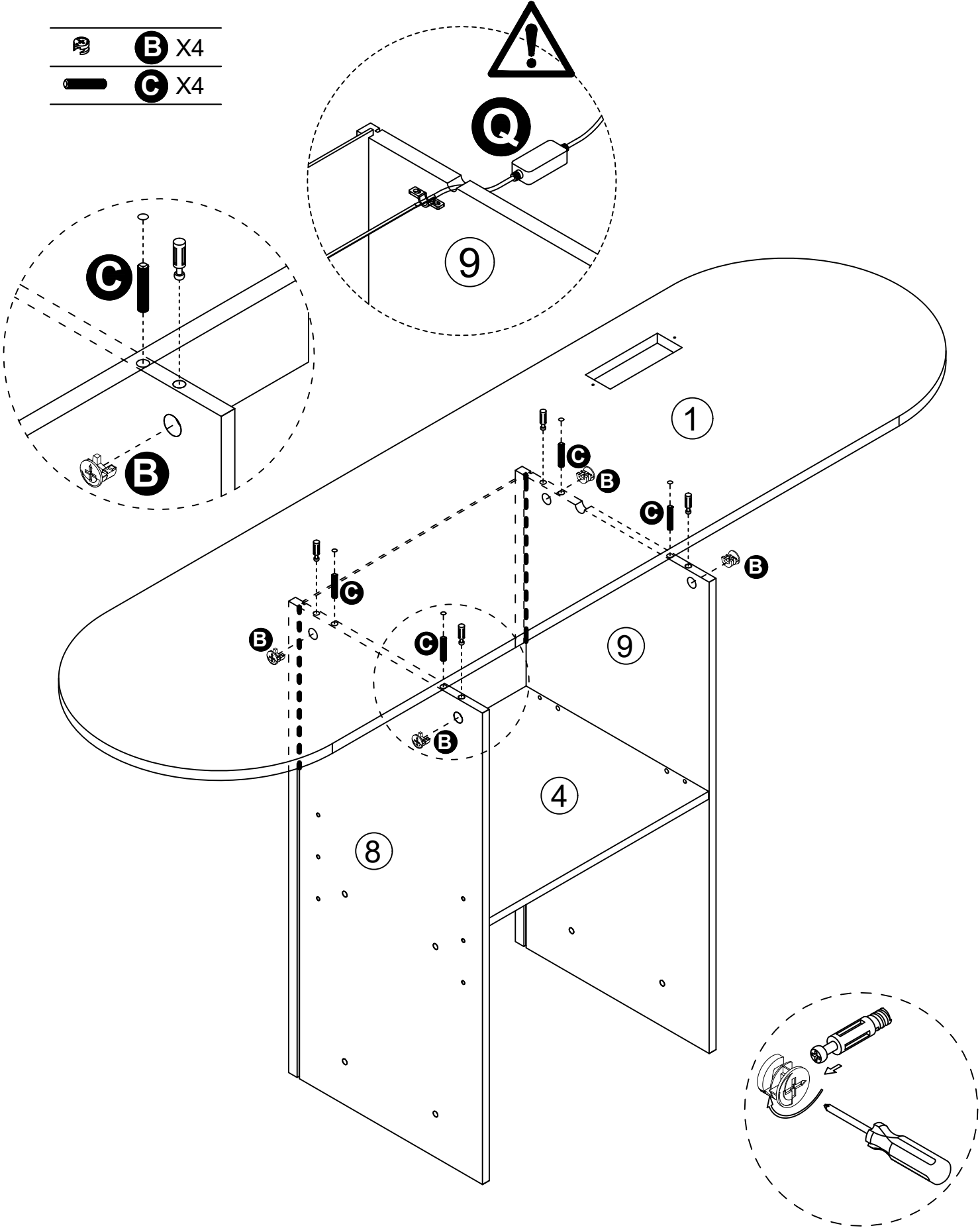
STEP 6

-  **G** X9
-  **M** X3





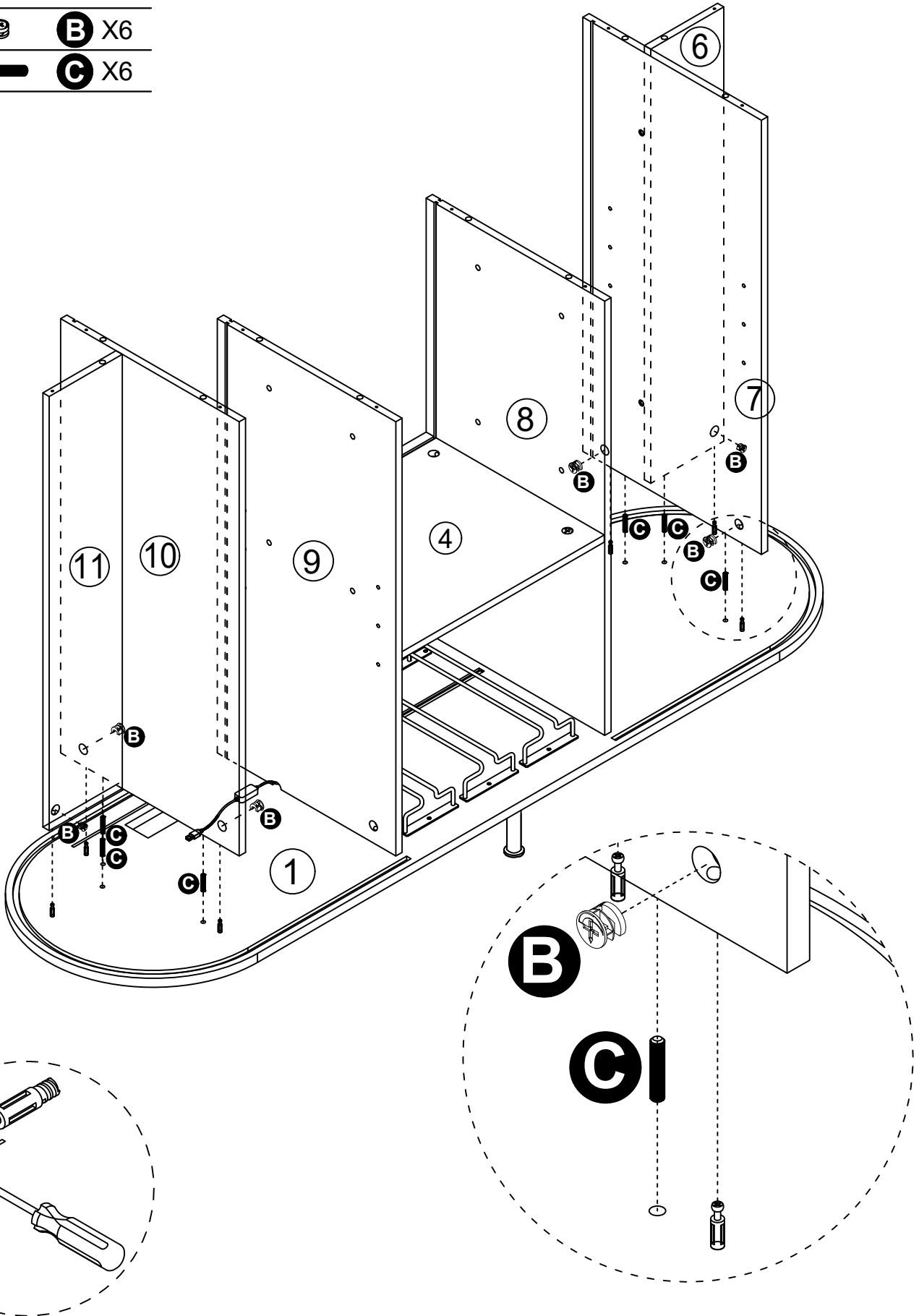
STEP 7

-  **B** X4
-  **C** X4

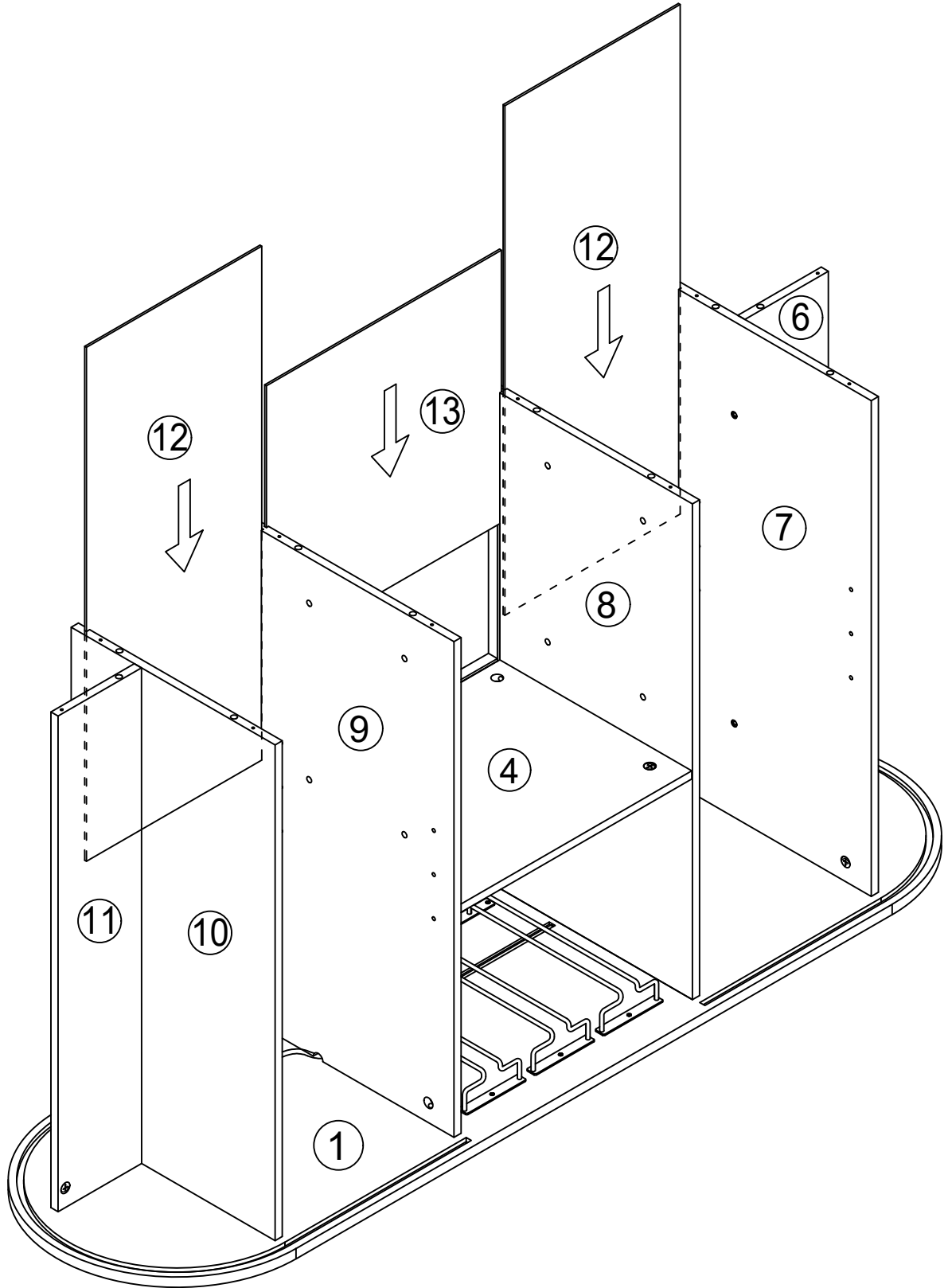


STEP 8



-  **B** X6
-  **C** X6

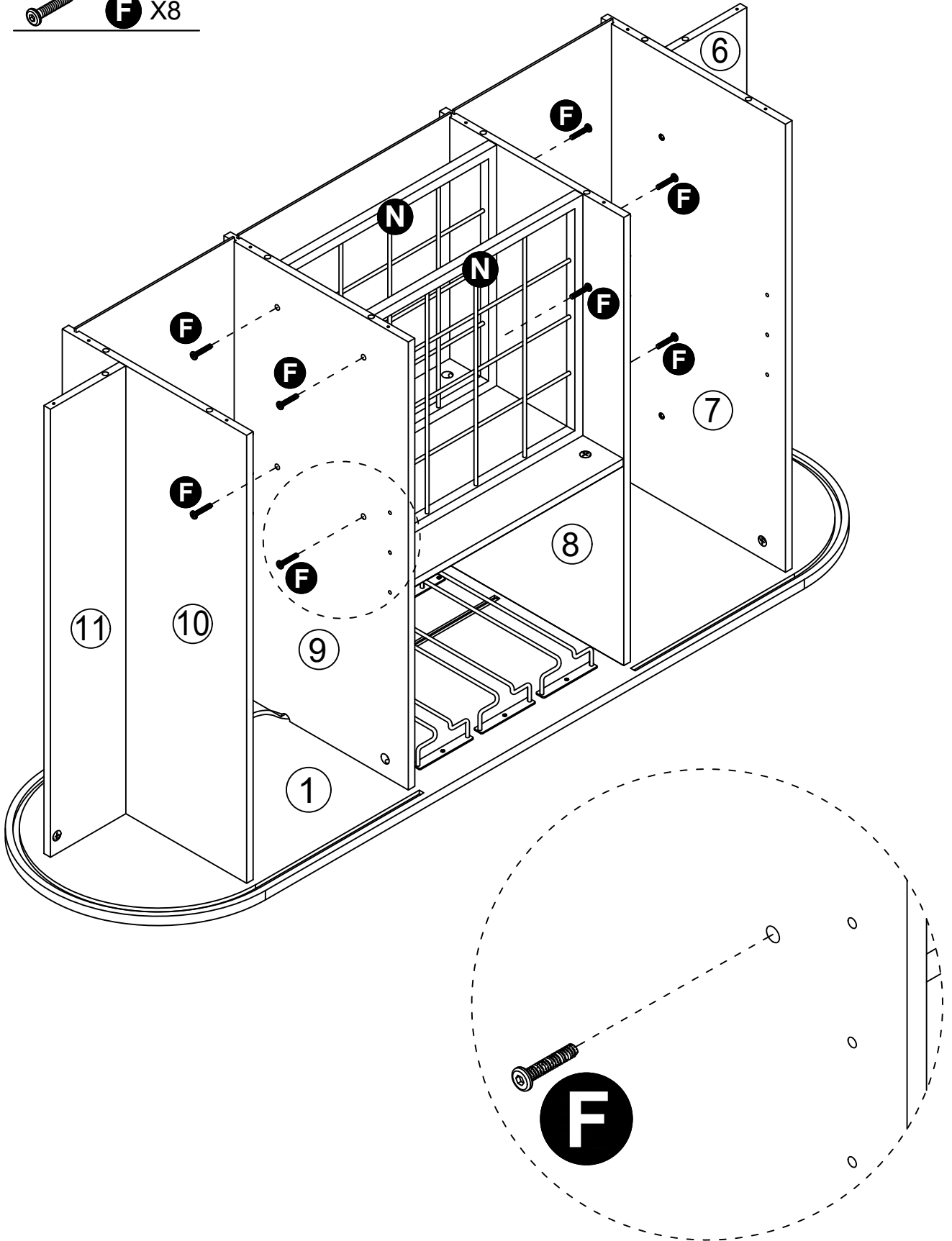


STEP 9





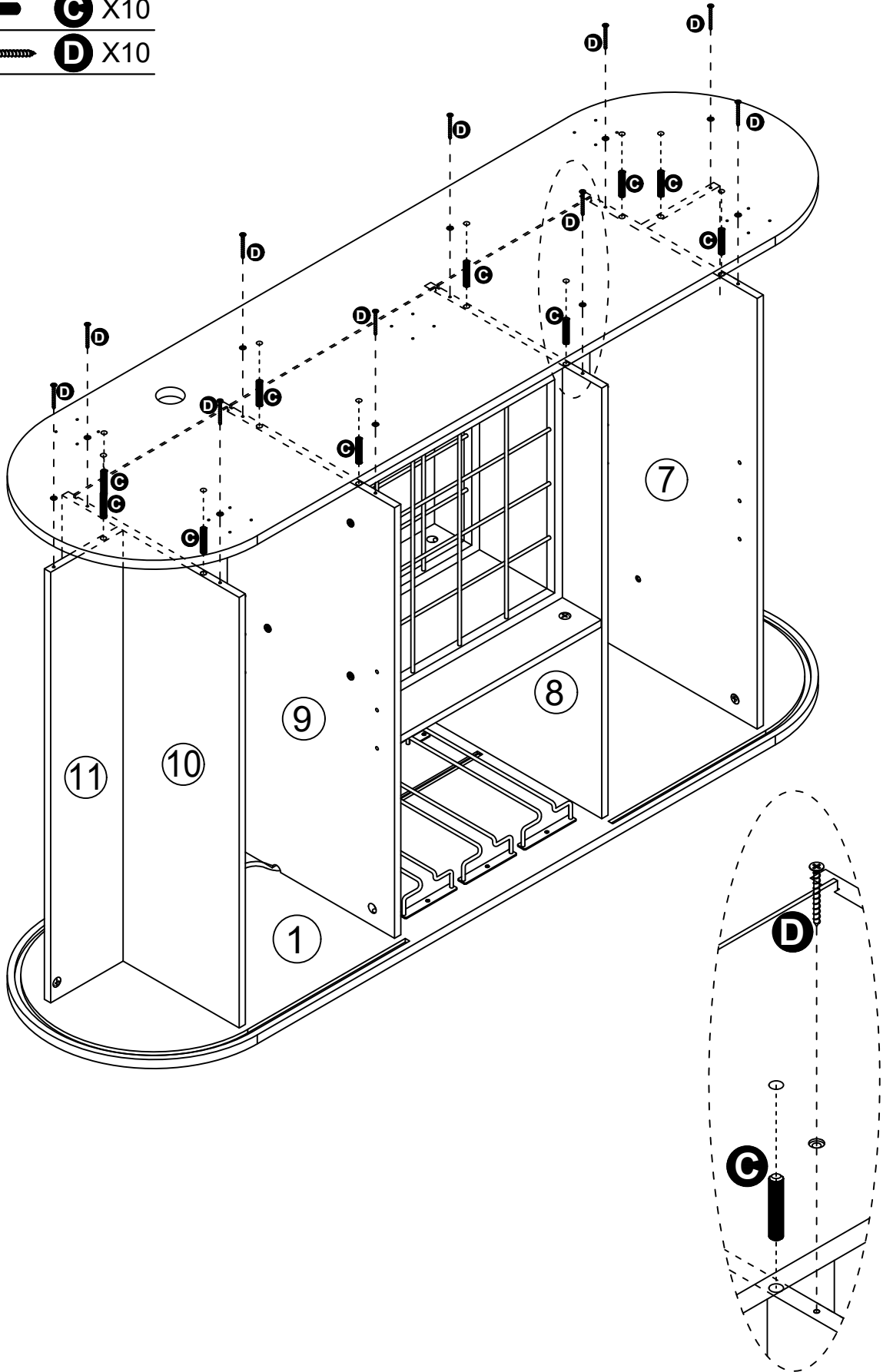
STEP 10

-  **N** X2
-  **F** X8





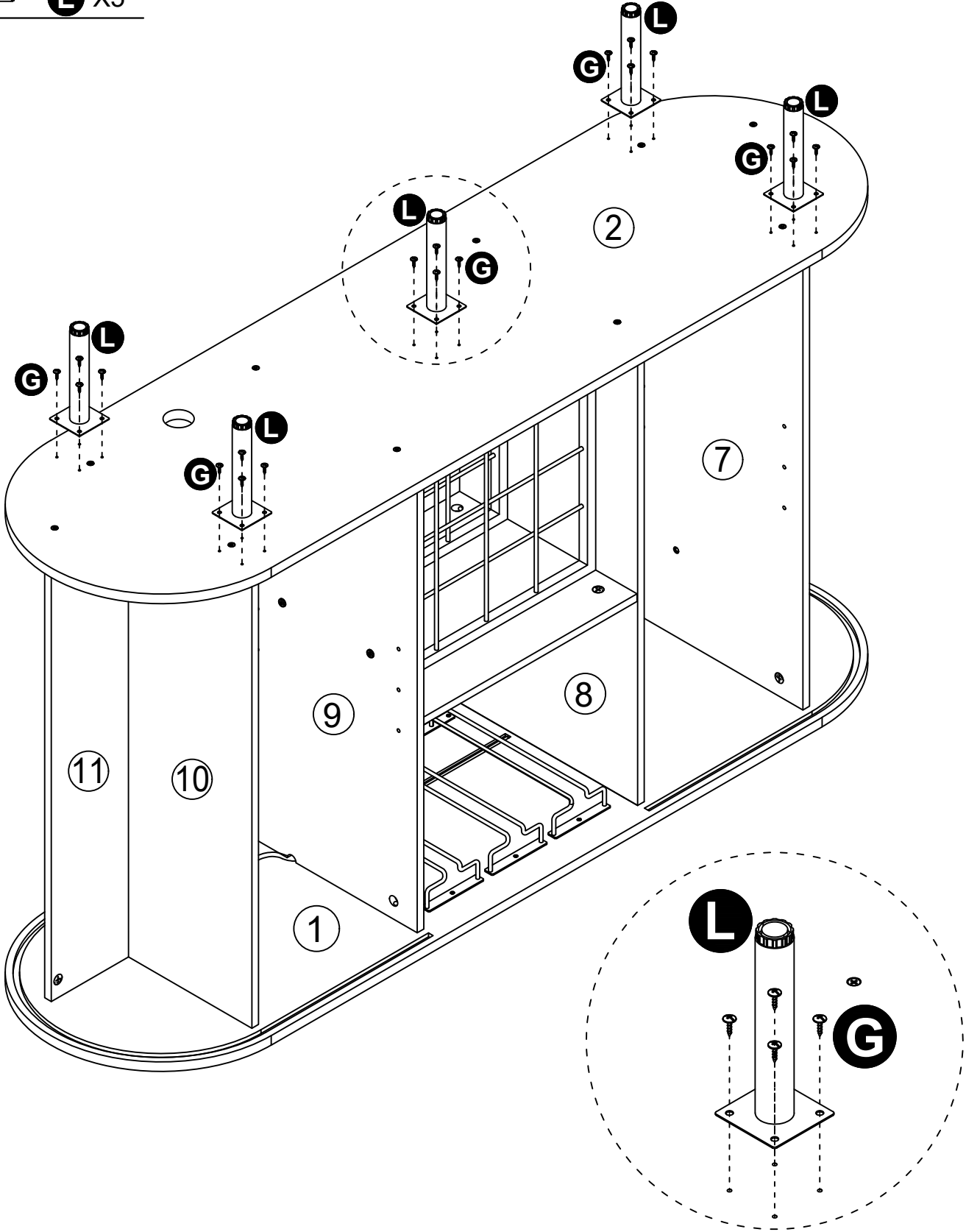
STEP 11

-  **C** X10
-  **D** X10

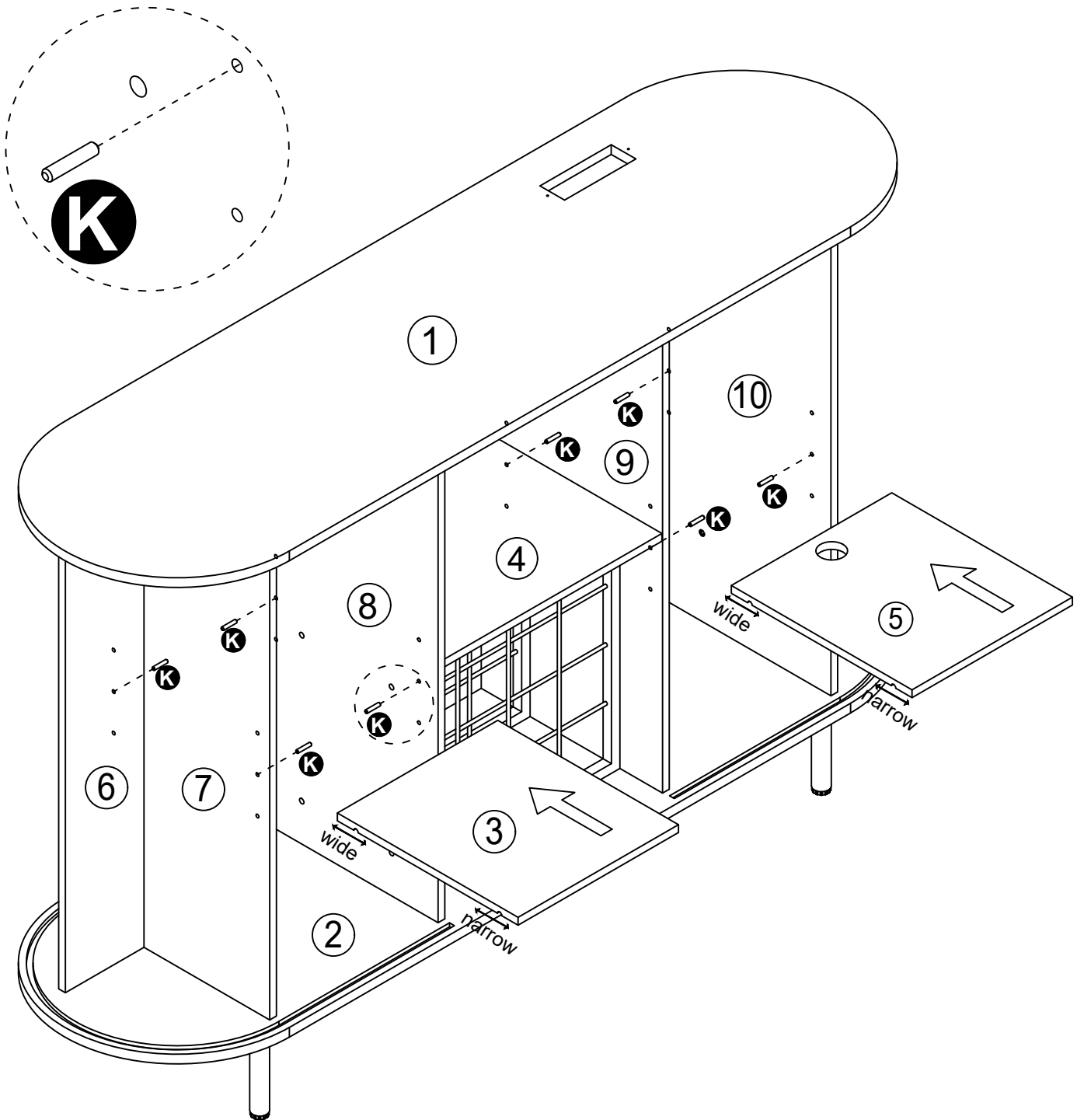


STEP 12

-  **G** X20
-  **L** X5





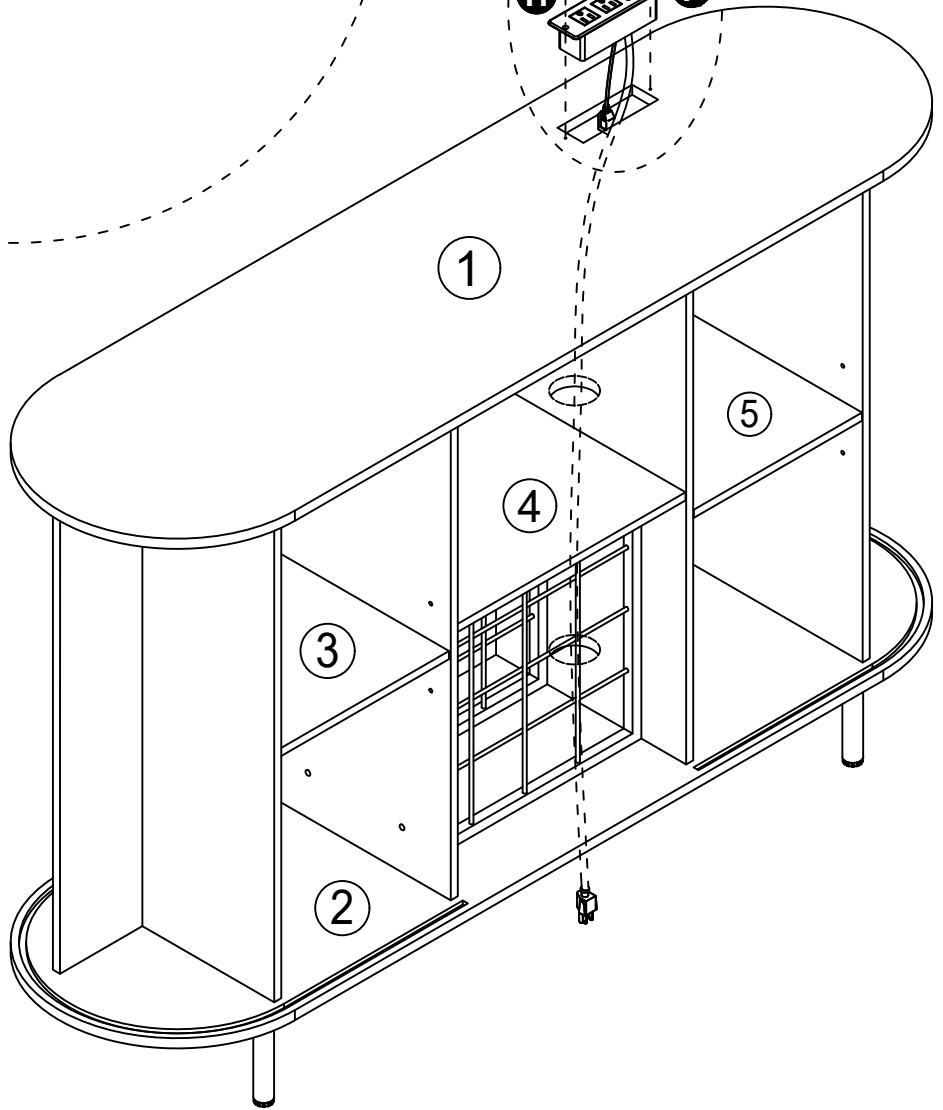
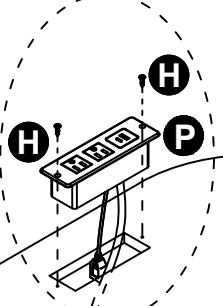
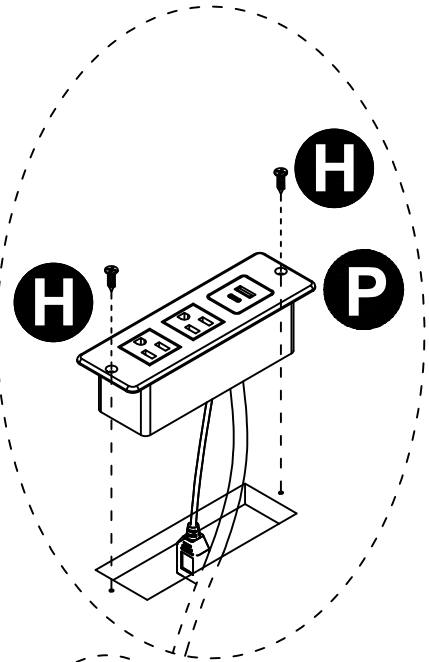
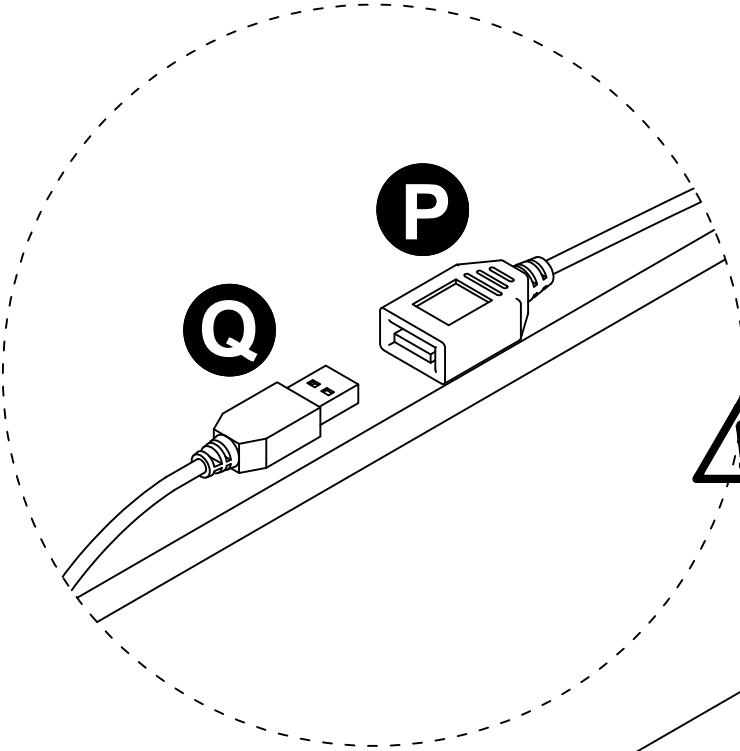
STEP 13





The distance between the front and back of the movable slab hole is different, pay attention to distinguishing

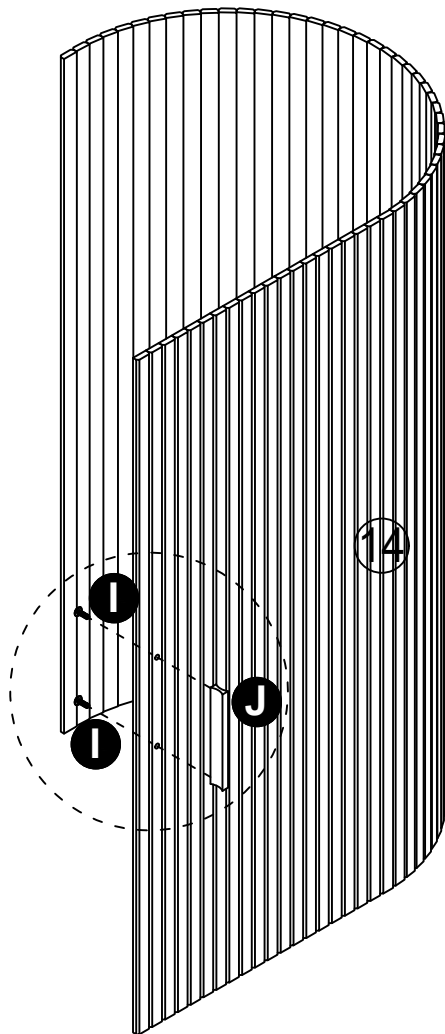
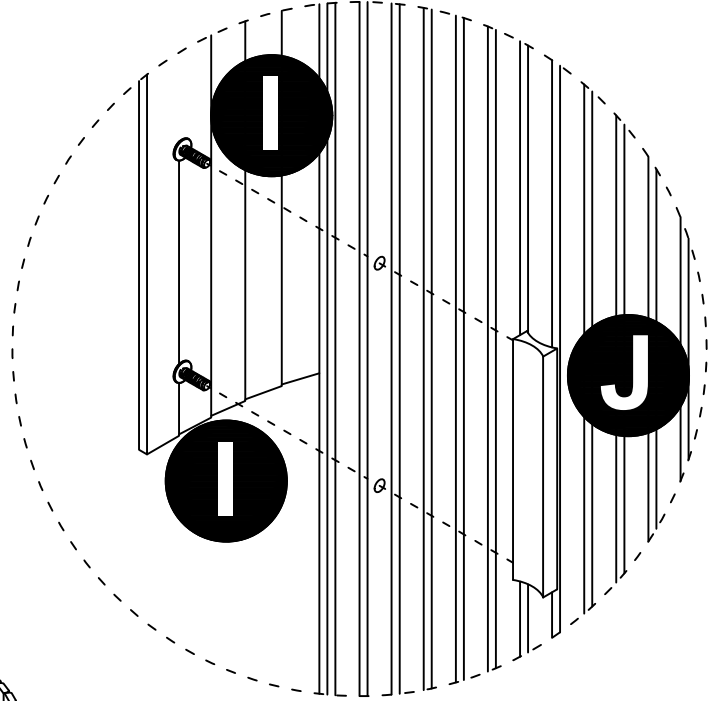
STEP 14

-  **H** X2
-  **P** X1



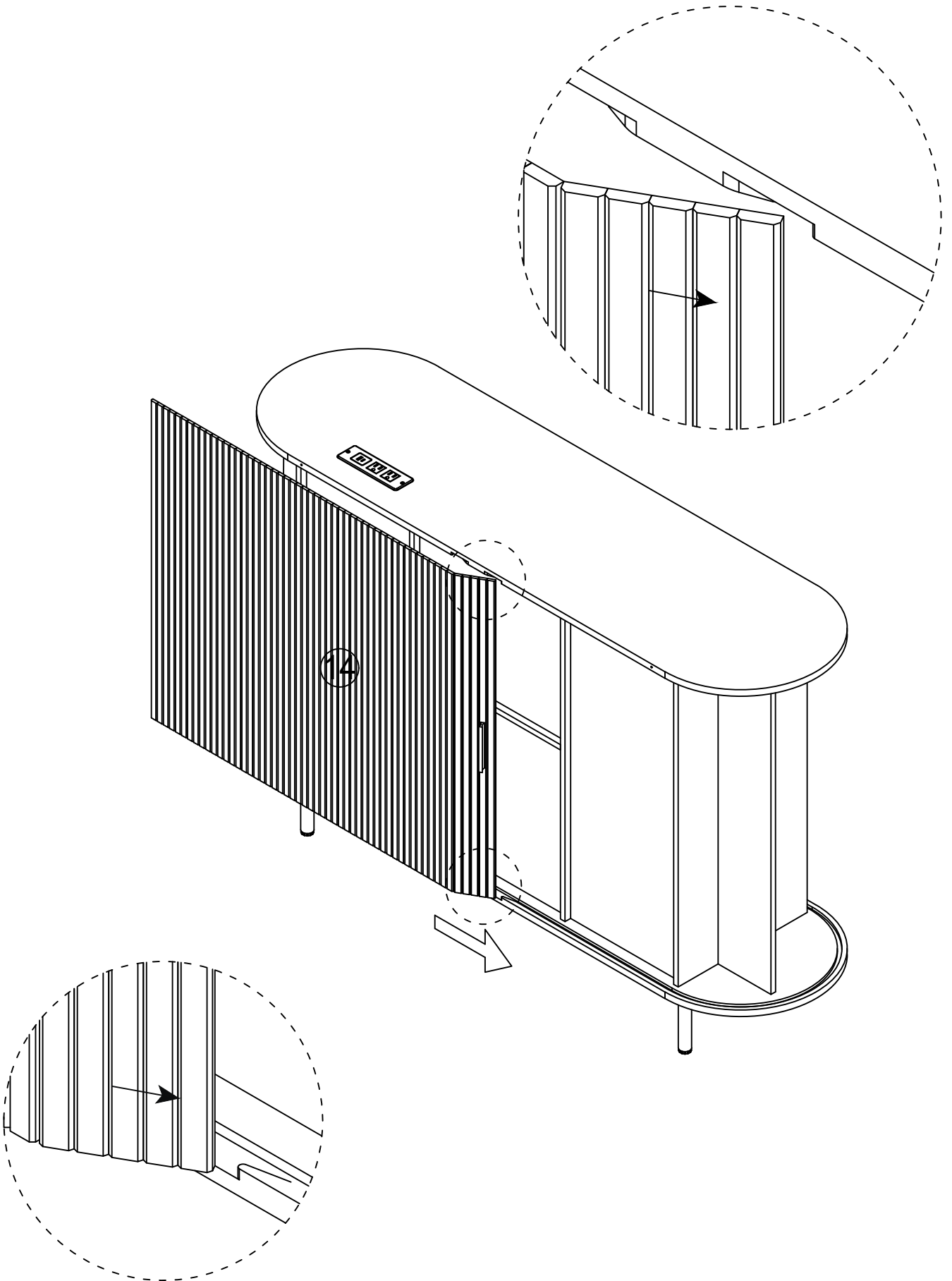
STEP 15

- |   |             |
|---|-------------|
|  | <b>I</b> X4 |
|  | <b>J</b> X2 |

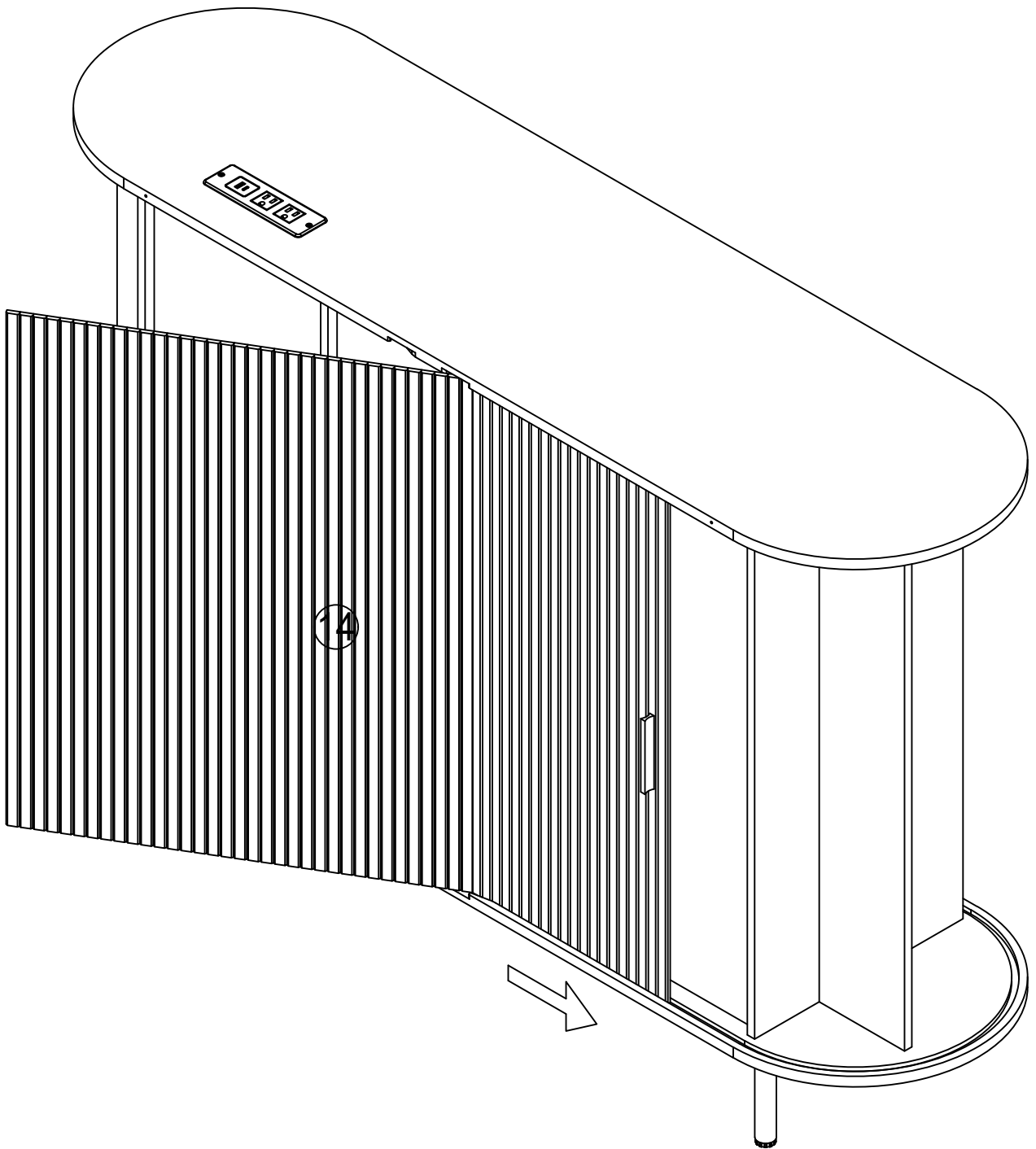


X2

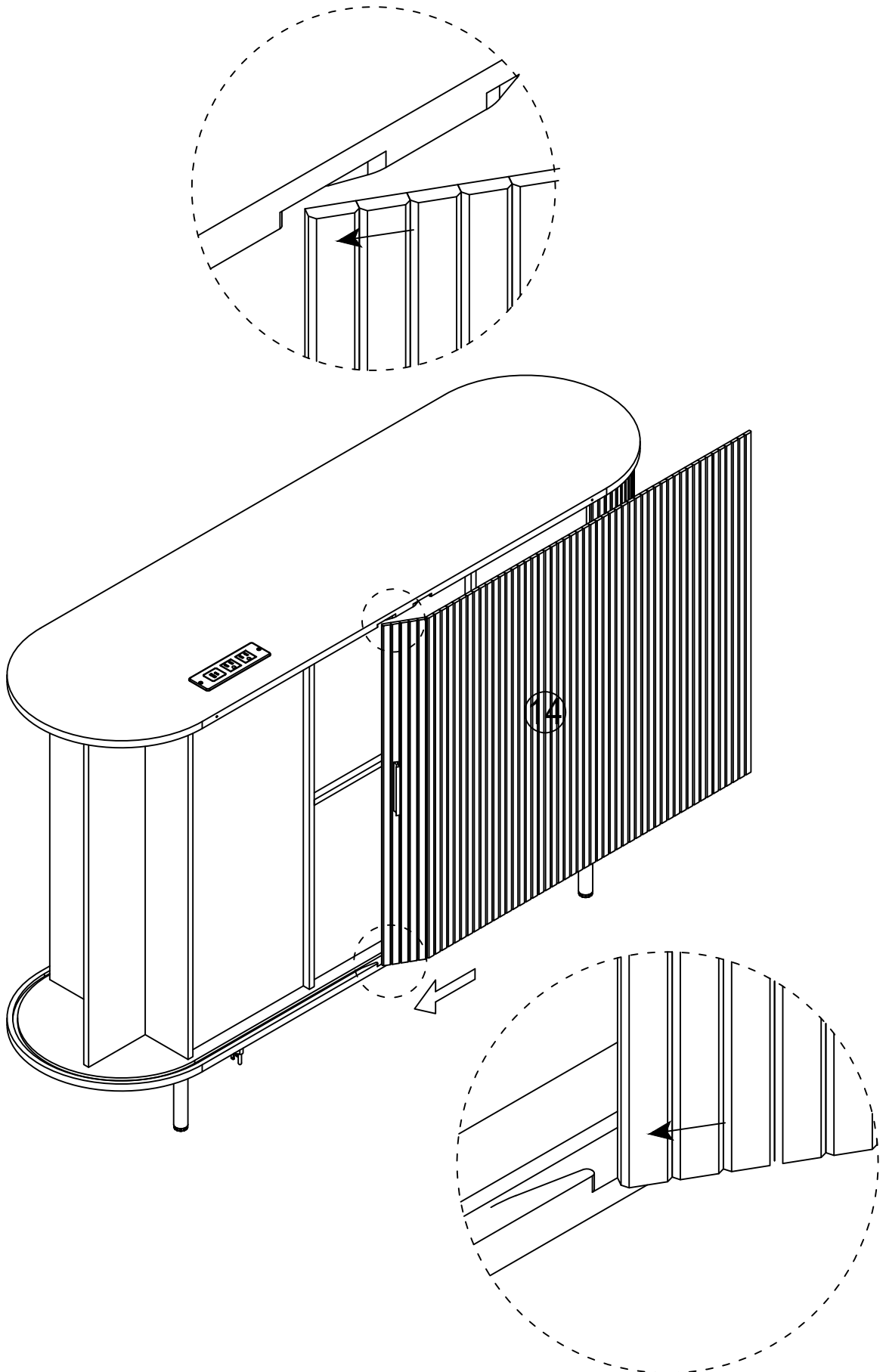
STEP 16



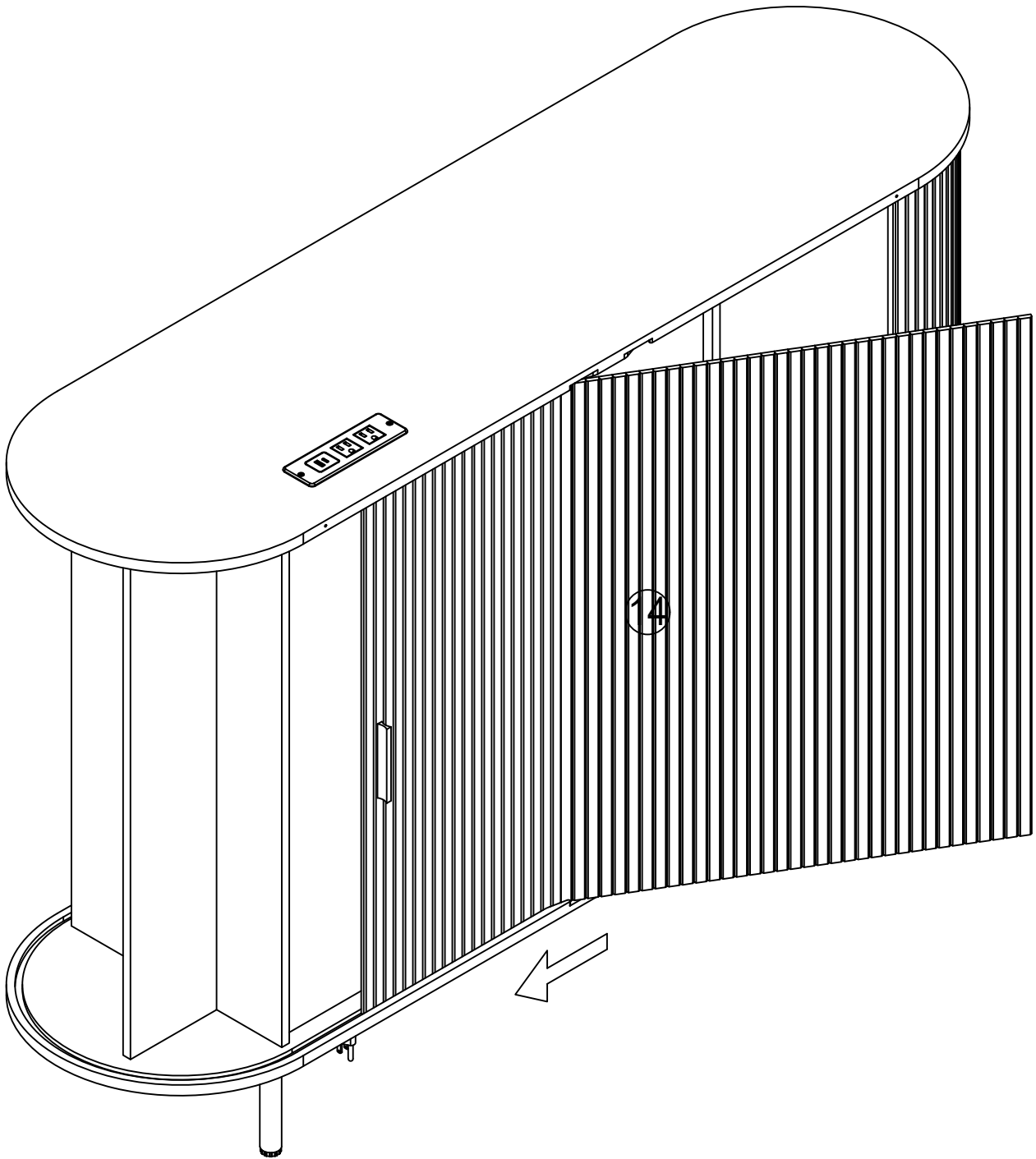
STEP 17





STEP 18

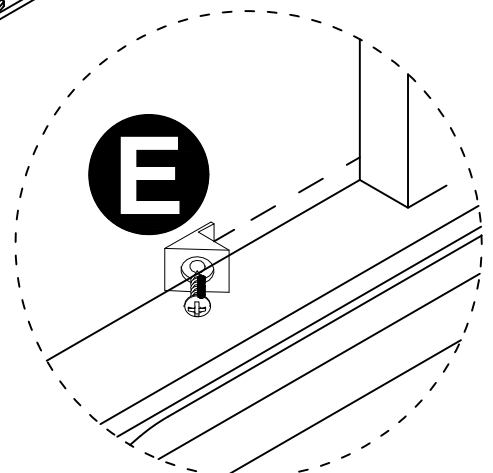
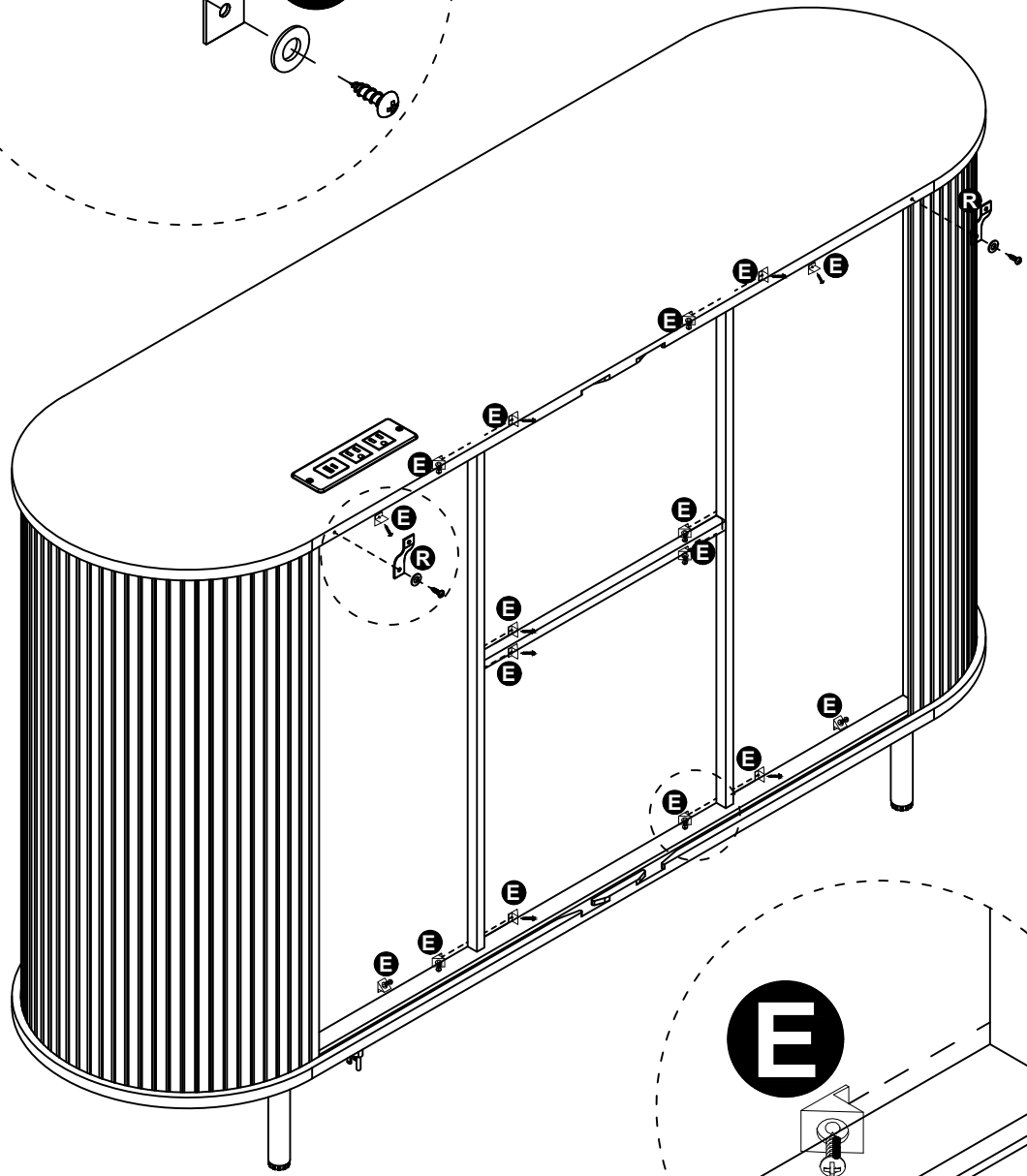
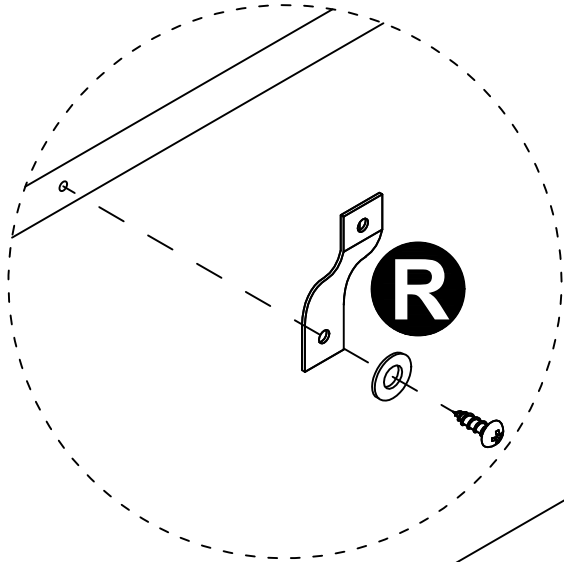


STEP 19



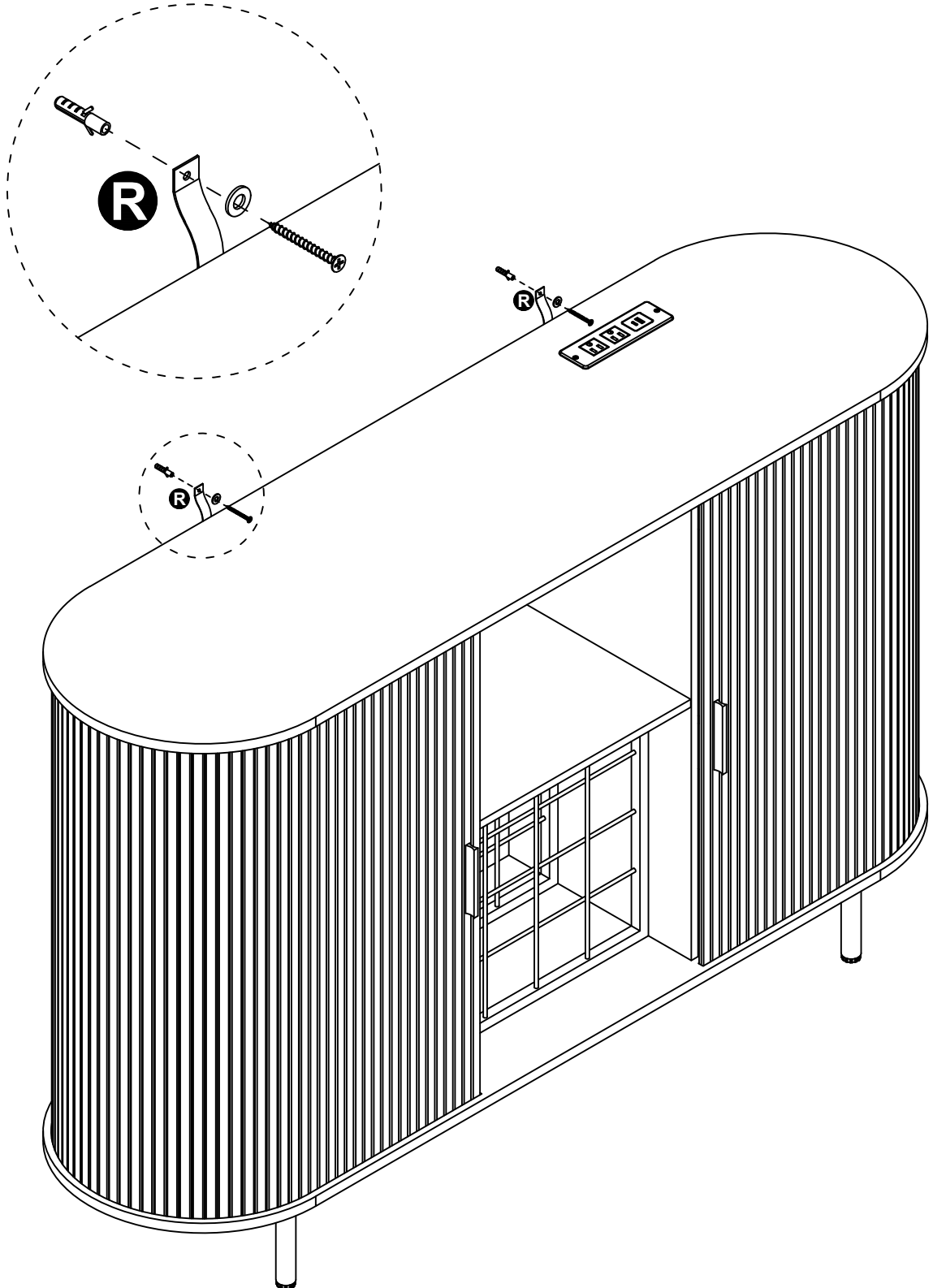
STEP 20

-  **E** X16
-  **R** X2



STEP 21

 **R** X2



---

**STEP 22**

To use the remote control function of the light strip, please read the light strip manual.(You can use the control swith on the light strip to control the light, there is no physical remote control available).