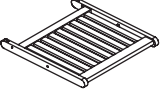



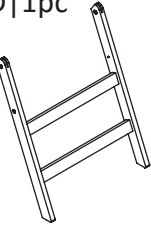


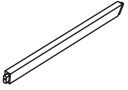
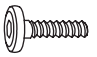



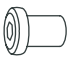
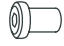



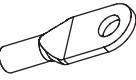
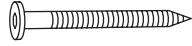

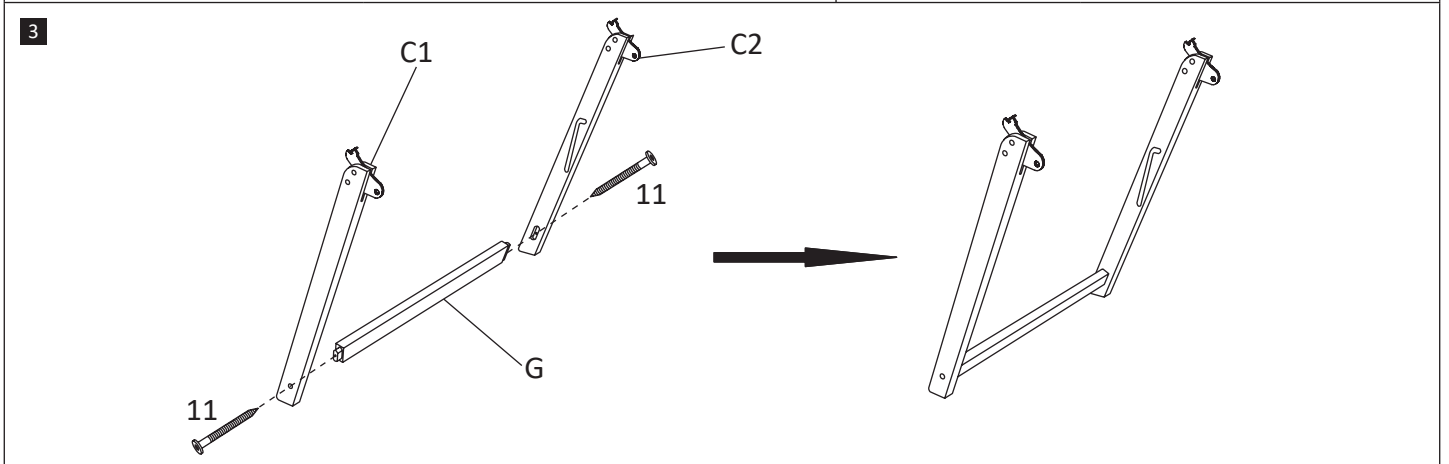
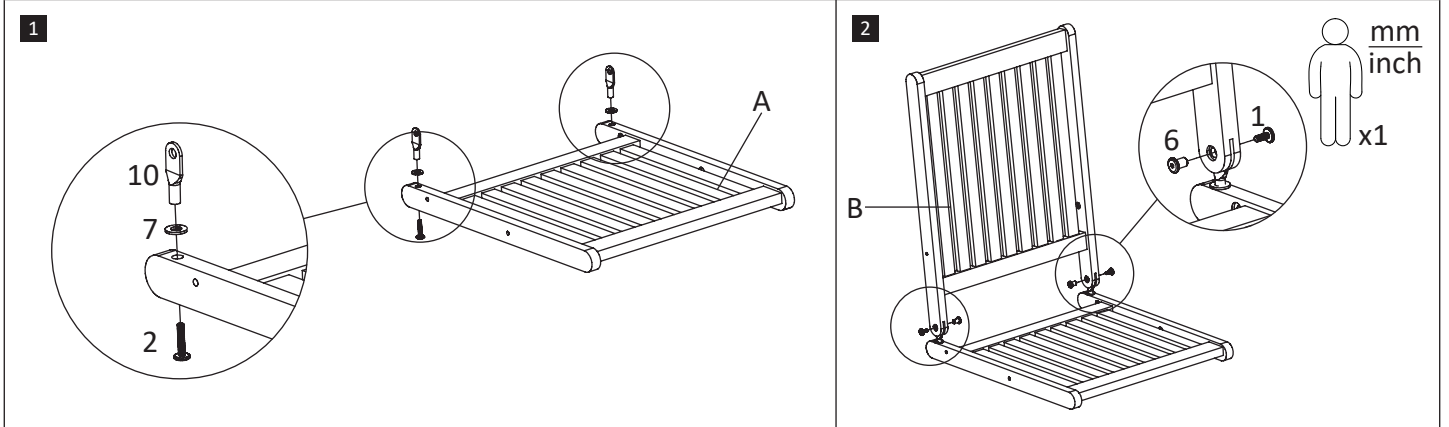


A 1pc 	B 1pc 	C1 1pc 	C2 1pc 	D 1pc 	E 1pc 	F 1pc 	G 1pc 
--	--	---	---	--	---	--	--

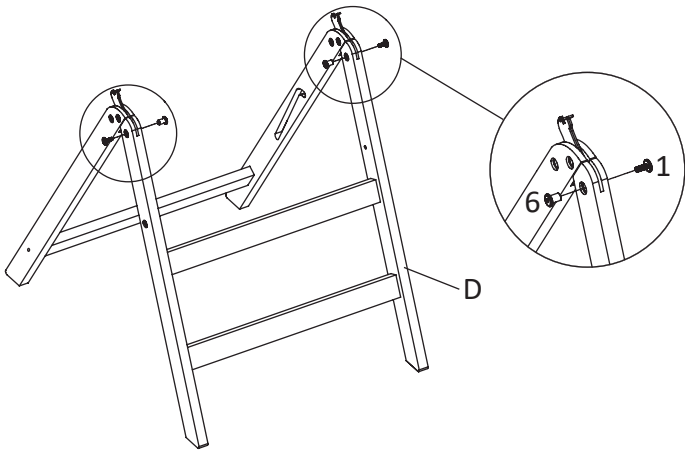
1 4pcs  M6x $\frac{15}{0.6}$	2 2pcs  M6x $\frac{35}{1.4}$	3 2pcs  M6x $\frac{60}{2.4}$	4 4pcs  M8x $\frac{40}{1.6}$
---	---	--	---

5 2pcs  M8x $\frac{15}{0.6}$	6 6pcs  M6x $\frac{15}{0.6}$	7 2pcs  M10x $\frac{20 \times 2}{0.8 \times 0.1}$	8 2pcs  M6x $\frac{20 \times 2}{0.8 \times 0.1}$
---	---	---	---

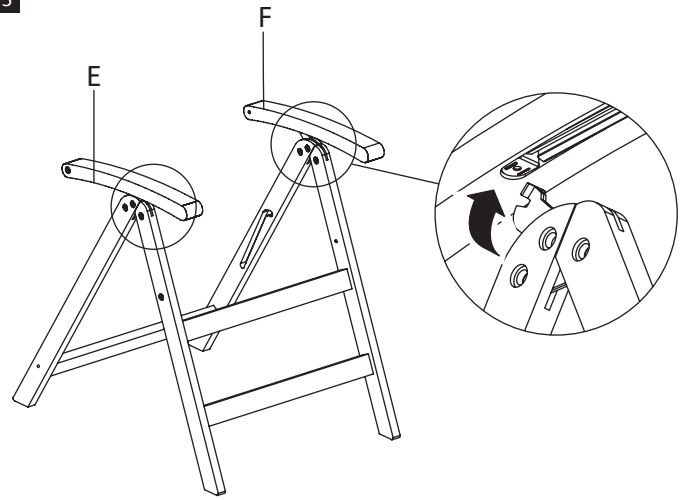
9 4pcs  M8x $\frac{20 \times 5}{0.8 \times 0.2}$	10 2pcs 	11 2pcs  M6x $\frac{60}{2.4}$	12 2pcs  M4
--	---	--	---



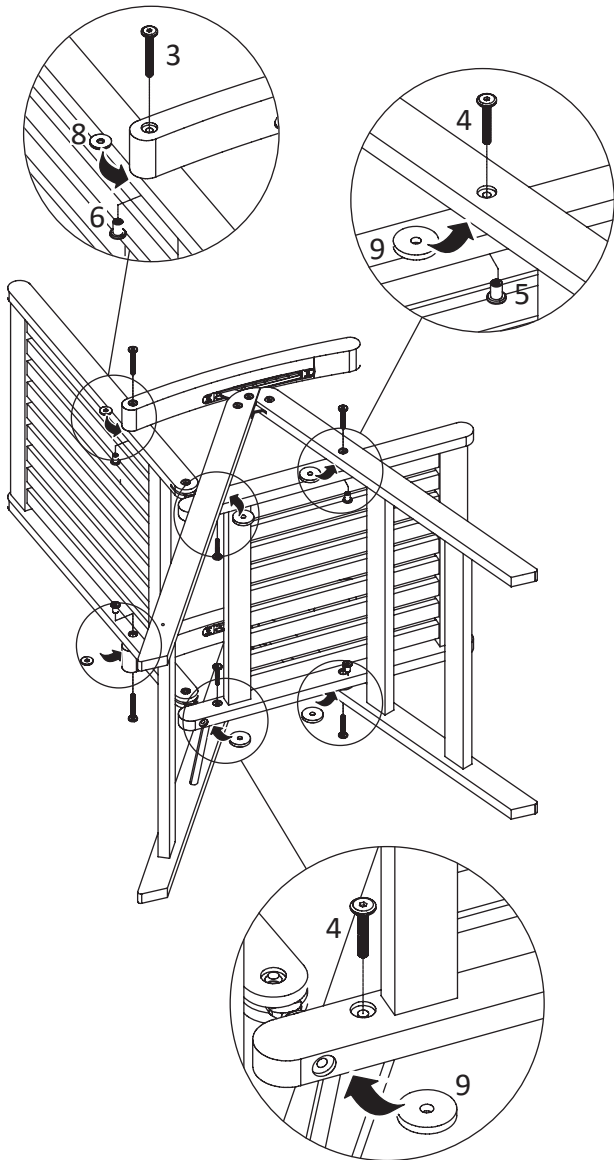
4



5



6



7

