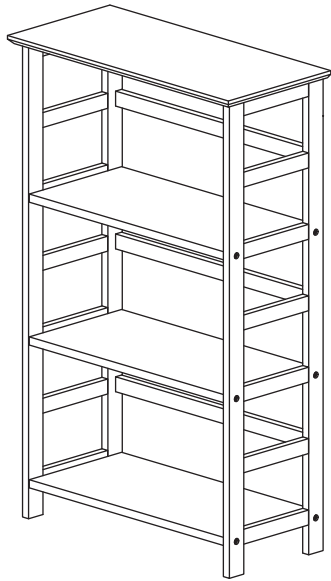


Assembly Instruction

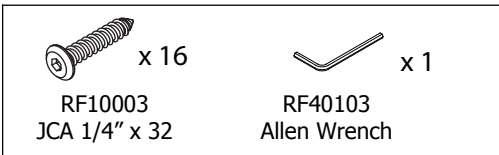
Soho Manhattan 4-Shelf Bookcase 26" Wide



List of Parts

NO.	Description	Q'ty
A	Table Top	1
B	Left Panel	1
C	Right Panel	1
D	Shelves	3
E	Crossbar	3

List of Hardware



Anti-Tipping

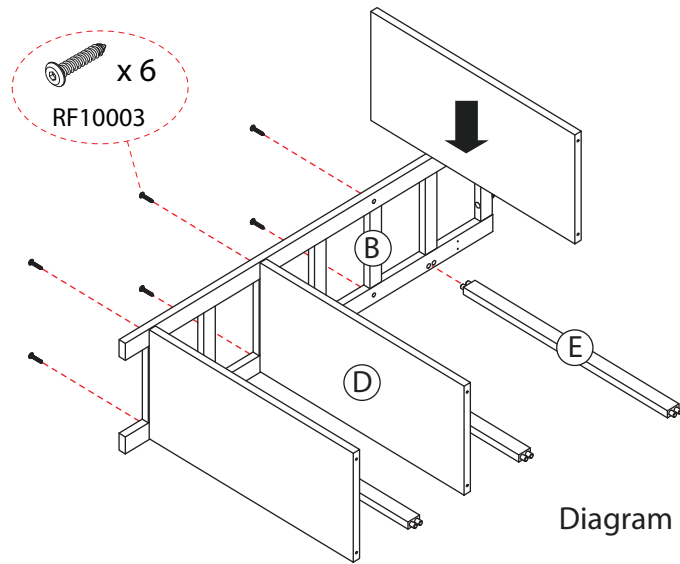
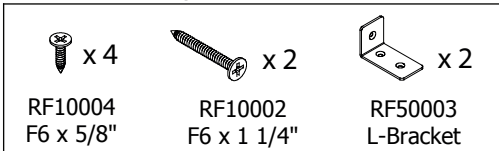


Diagram 1.

Step 1.

Attach Shelves (D) to the left panel (B) by using screws (RF10003) and put the Crossbars (E) into left panel (B) as per diagram 1.

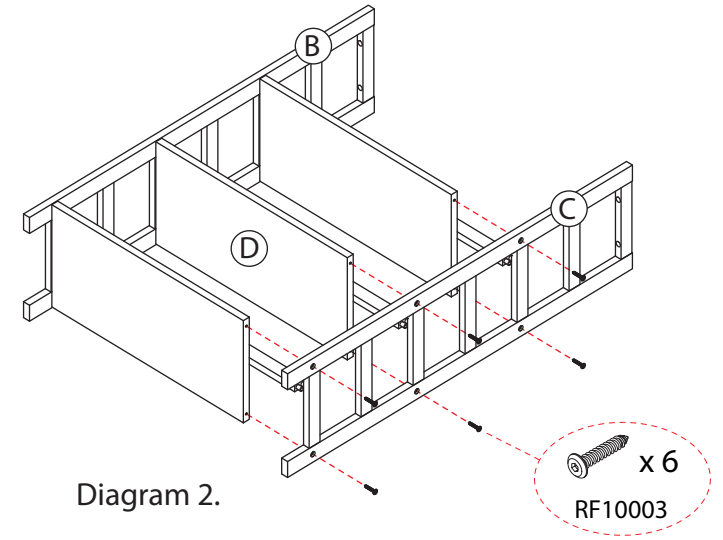


Diagram 2.

Step 2.

Attach Right Panel (C) into the unit using screws (RF10003) as per diagram 2.

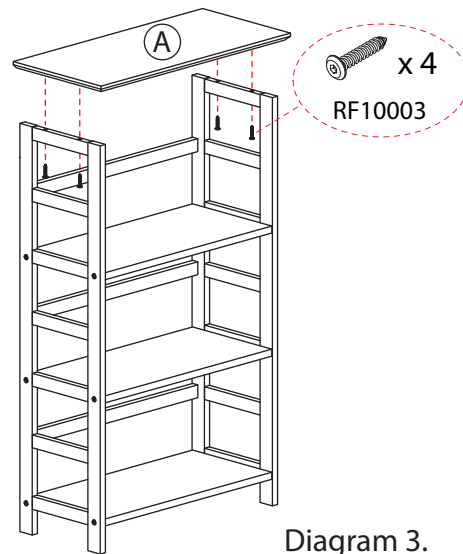


Diagram 3.

Step 3.

Upright the unit to attach Table Top (A) using screws (RF10003) as per diagram 3.

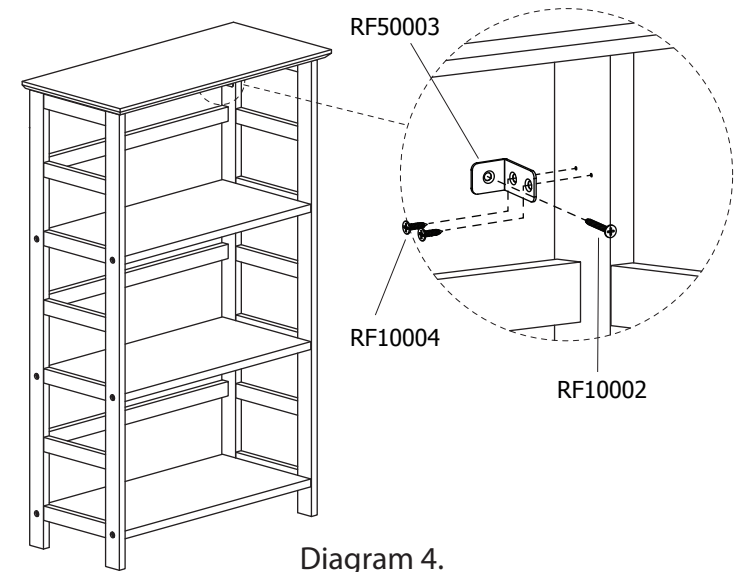


Diagram 4.

Anti-Tipping

Attach L-Brackets (RF50003) to the side panel using screw (RF10004), and to the wall using screw (RF10002) as per diagram 4.