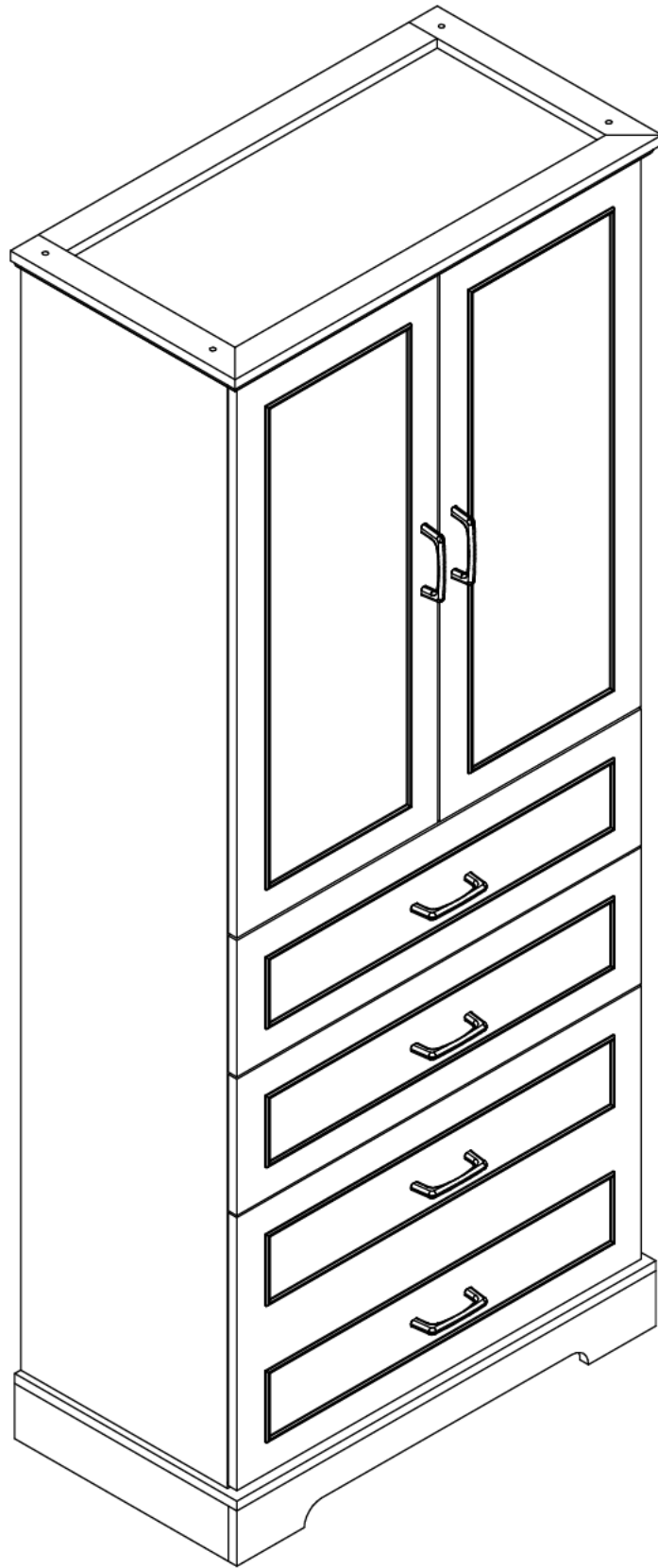
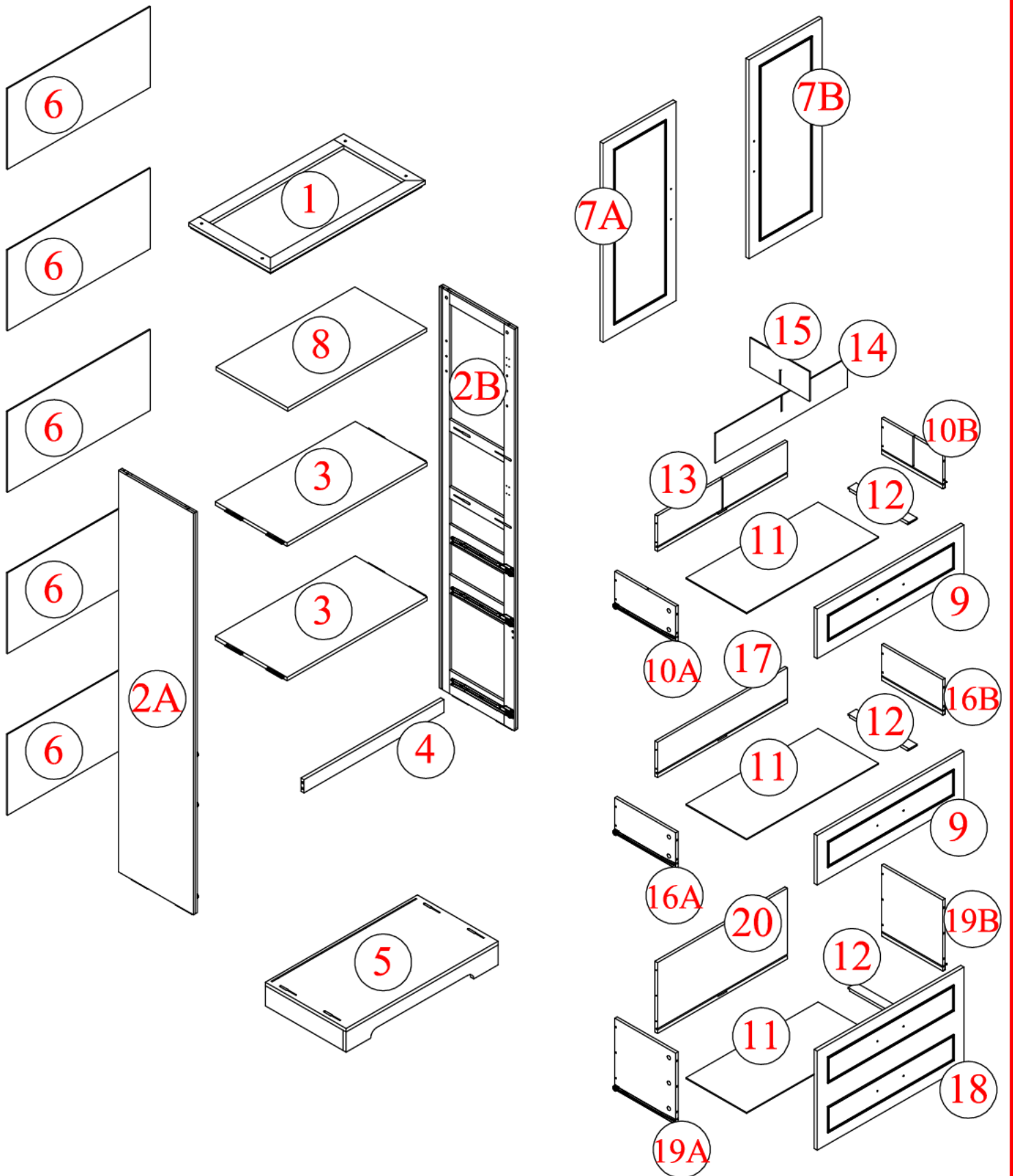


ASSEMBLY INSTRUCTION

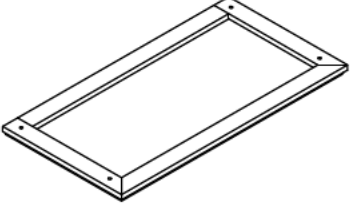
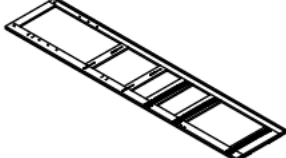
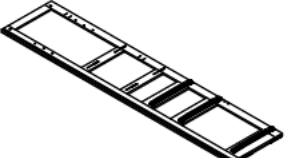

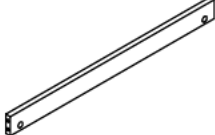
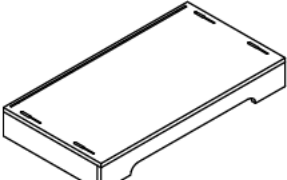
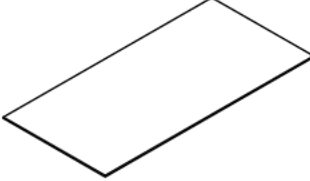
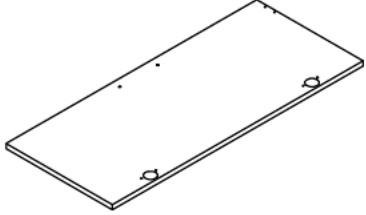
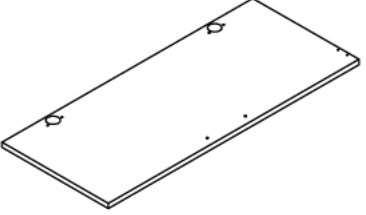
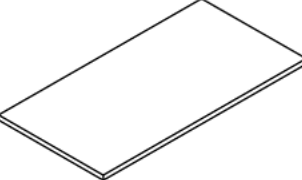
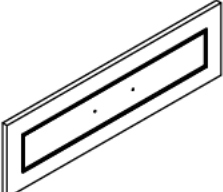
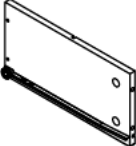
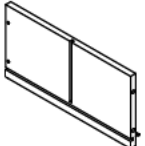
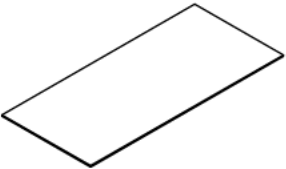
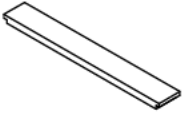
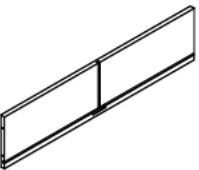
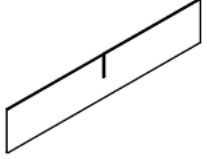
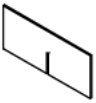


1

ASSEMBLY INSTRUCTION

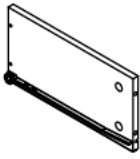


Part List

<p>1</p>  <p>The Top Of The Cabinet - 1 pc</p>	<p>2A</p>  <p>Side Edge Of Cabinet - 1 pc</p>	<p>2B</p>  <p>Side Edge Of Cabinet - 1 pc</p>
<p>3</p>  <p>Fixed Shelf - 2 pcs</p>	<p>4</p>  <p>Cross Bar - 1 pc</p>	<p>5</p>  <p>Cabinet Bottom - 1 pc</p>
<p>6</p>  <p>Cabinet Back Panels - 5 pcs</p>	<p>7A</p>  <p>Left Cabinet Door - 1 pc</p>	<p>7B</p>  <p>Right Cabinet Door - 1 pc</p>
<p>8</p>  <p>Adjustable Shelf - 1 pc</p>	<p>9</p>  <p>Drawer- Front Panels - 2 pcs</p>	<p>10A</p>  <p>Drawer - Left Side Panel - 1 pc</p>
<p>10B</p>  <p>Drawer - Right Side Panel - 1 pc</p>	<p>11</p>  <p>Drawer - Bottom Panels - 3 pcs</p>	<p>12</p>  <p>Drawer - Support Bar - 3 pcs</p>
<p>13</p>  <p>Drawer - Back Panel - 1 pc</p>	<p>14</p>  <p>Drawer Divider - 1 pc</p>	<p>15</p>  <p>Drawer Divider - 1 pc</p>

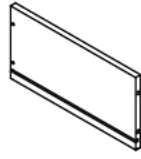
Part List

16A



Drawer - Left Side Panel - 1 pc

16B



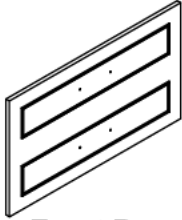
Drawer - Right Side Panel - 1 pc

17



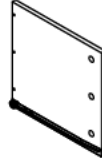
Drawer - Back Panel - 1 pc

18



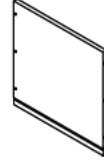
Drawer- Front Panel - 1 pc

19A



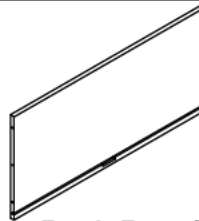
Drawer - Left Side Panel - 1 pc

19B



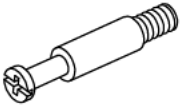

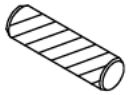
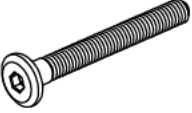








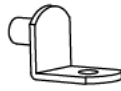



Drawer - Right Side Panel - 1 pc

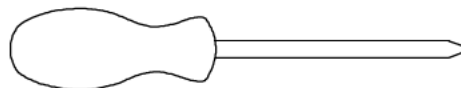
20



Drawer - Back Panel - 1 pc

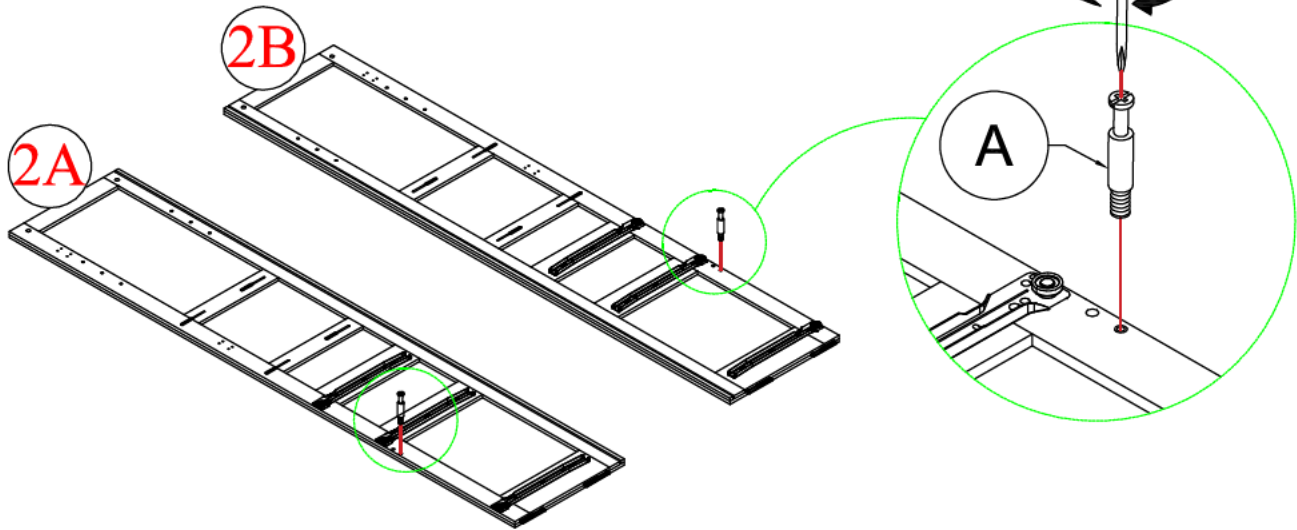
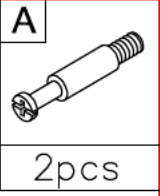
Hardware List

<p>A</p>  <p>Cam Bolt 16 pcs</p>	<p>B</p>  <p>Cam Lock 10mm 16 pcs</p>	<p>C</p>  <p>Ø8 x 30 mm Wood dowel 2 pcs</p>
<p>D</p>  <p>1/4" x 60 mm Hex-Head bolts 4 pcs</p>	<p>E</p>  <p>Allen Key 1 pc</p>	<p>F</p>  <p>Plastic Wedges 24 pcs</p>
<p>G</p>  <p>M3.5 x 15 mm Wood Screws 52 pcs</p>	<p>H</p>  <p>Hinge - 4 pcs</p>	<p>I</p>  <p>M3 x 15 mm Wood Screws 4 pcs</p>
<p>J</p>  <p>1 2 Magnets 2 set</p>	<p>K</p>  <p>Handles 6 pcs</p>	<p>L</p>  <p>M4 x 18 mm Truss Head Screw 12 pcs</p>
<p>M</p>  <p>Shelf Pin 9mm 4 pcs</p>	<p>N</p>  <p>M4 x 30 mm Wood Screws 14 pcs</p>	<p>O</p>  <p>1 2 3 4 5 Antifall 2 set</p>
<p>P</p>  <p>Ø11.5 x 15 mm Horizontal -Hole bolts 4 pcs</p>		

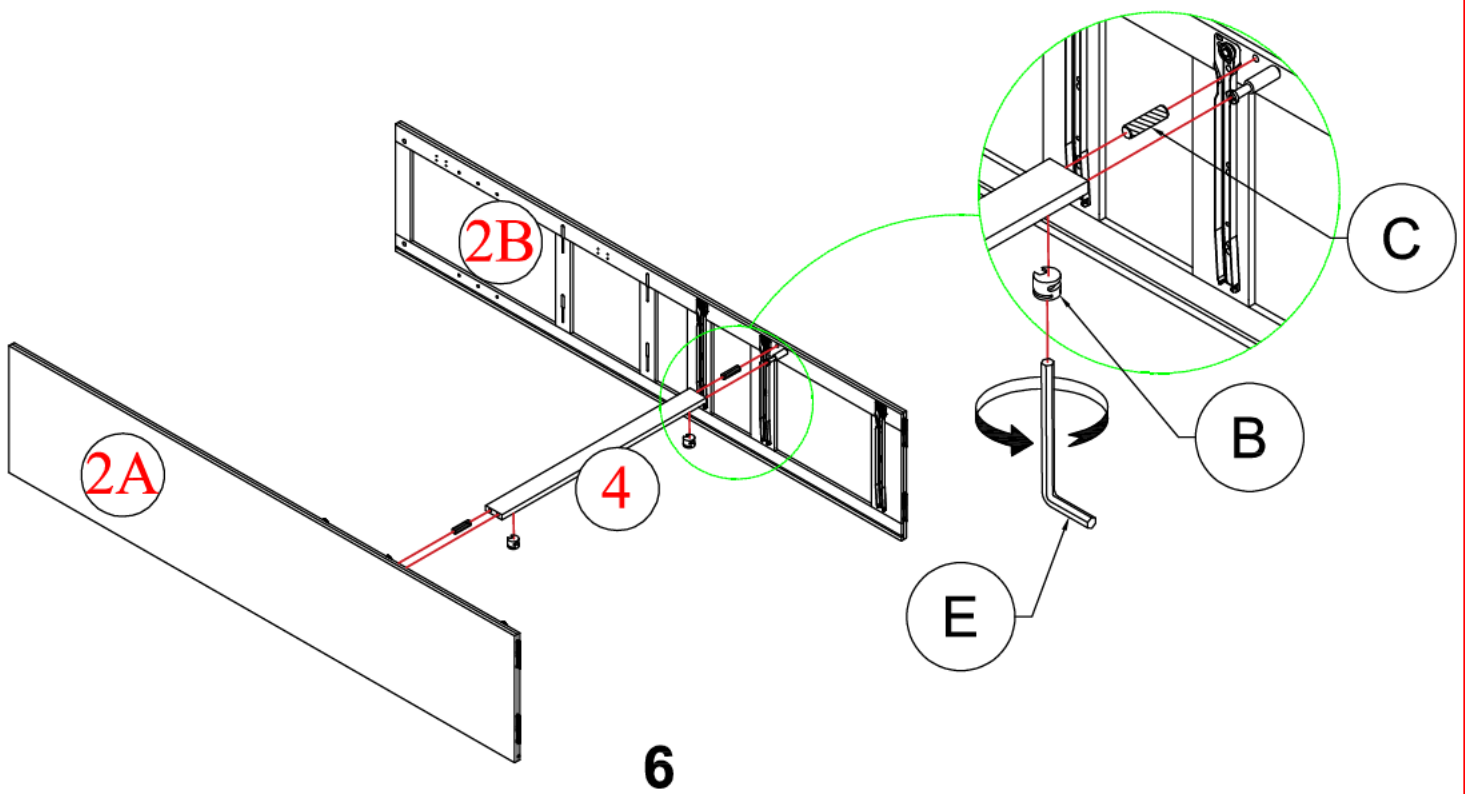
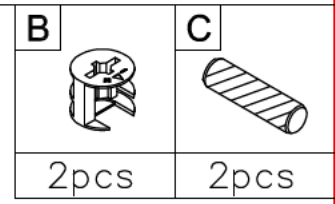


Assembly Tools Required (Not Included)

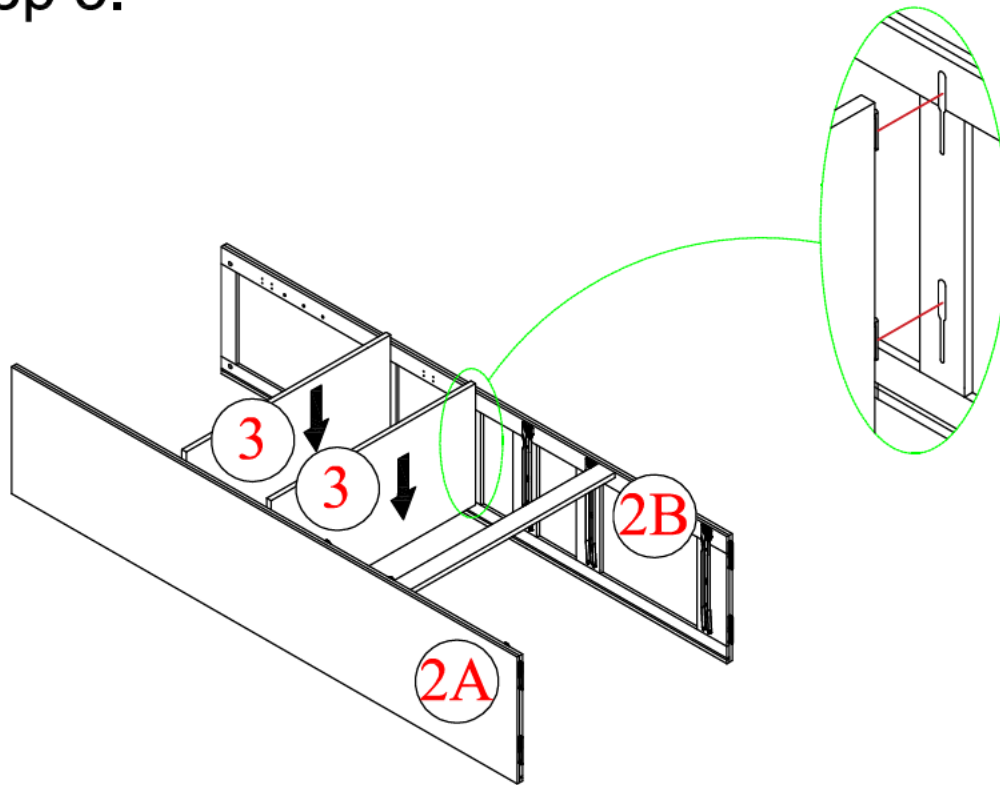
Step 1:



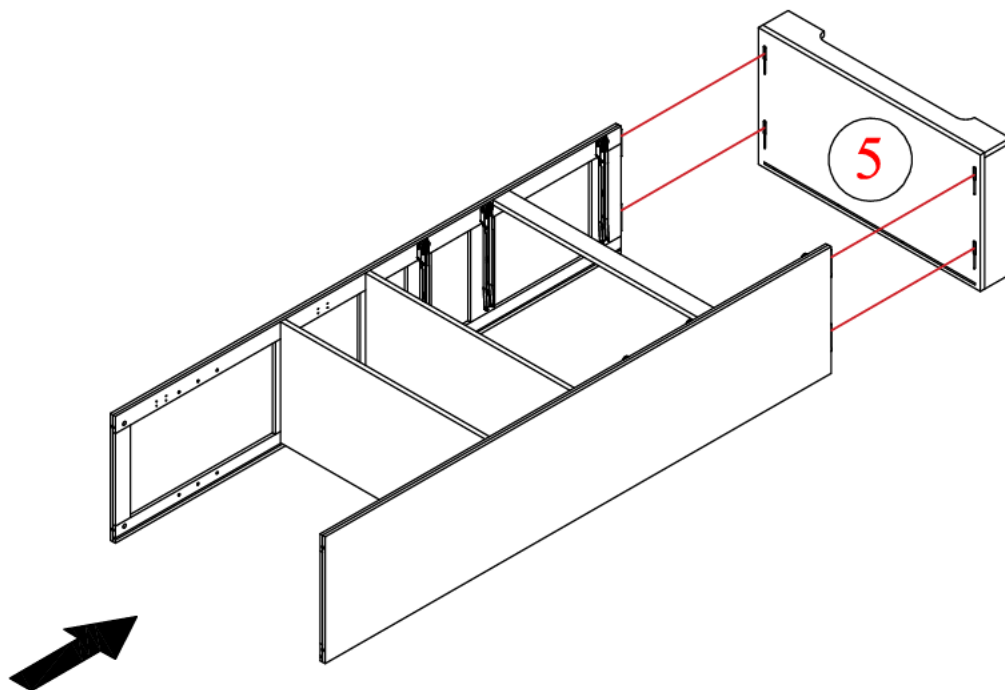
Step 2:



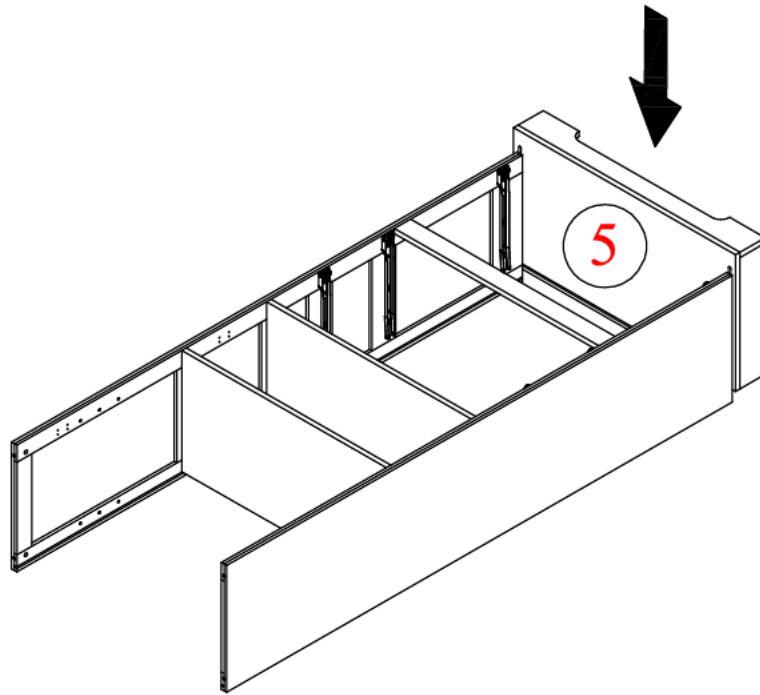
Step 3:



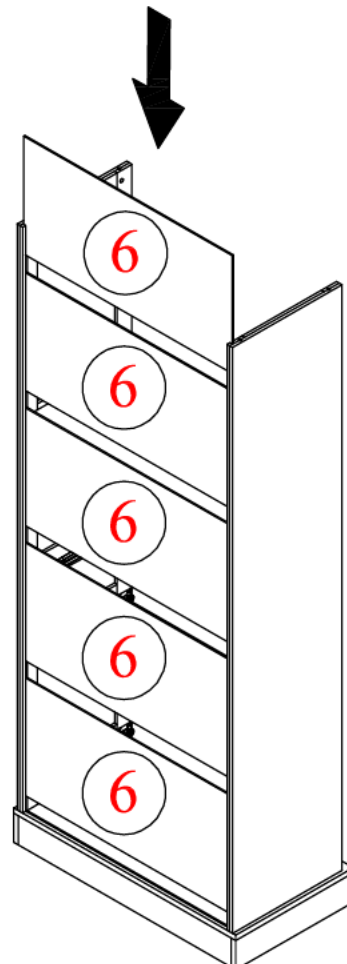
Step 4:



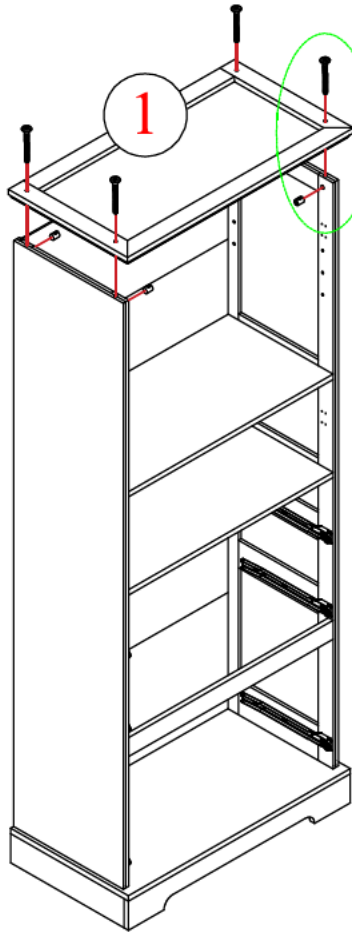
Step 5:





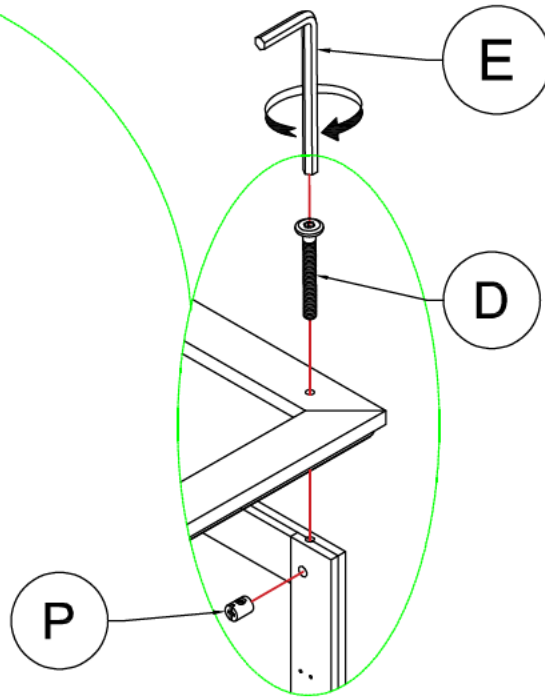
Step 6:



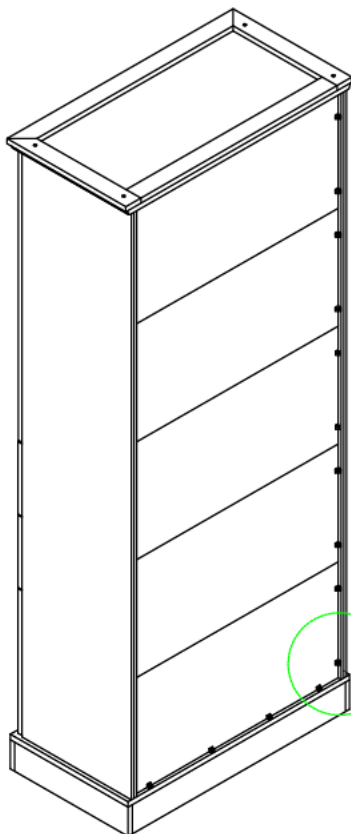
Step 7:





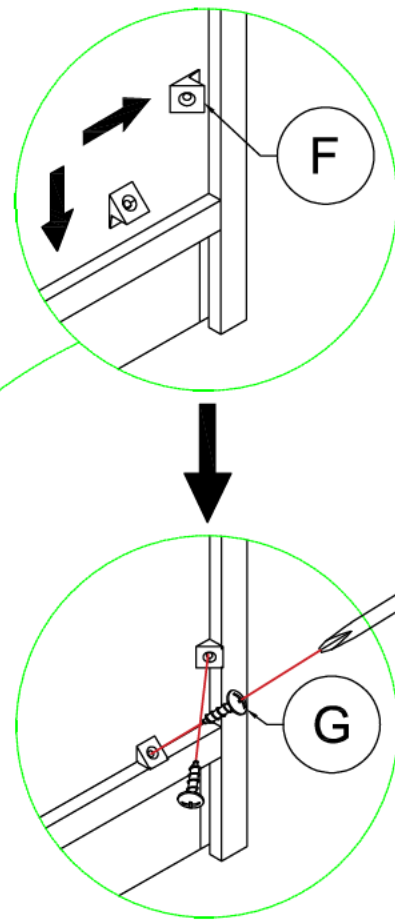
D	P
	
4pcs	4pcs



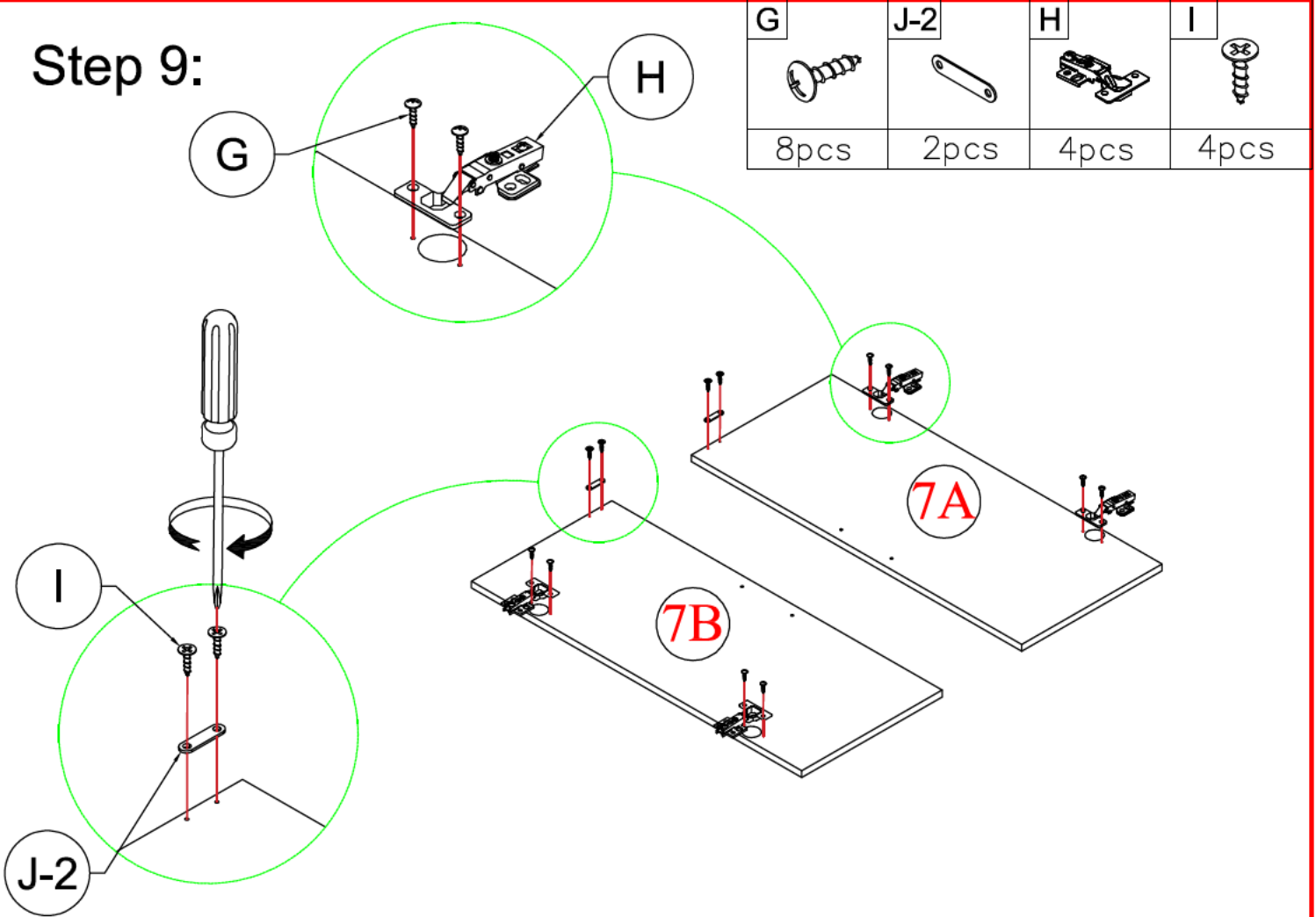
Step 8:



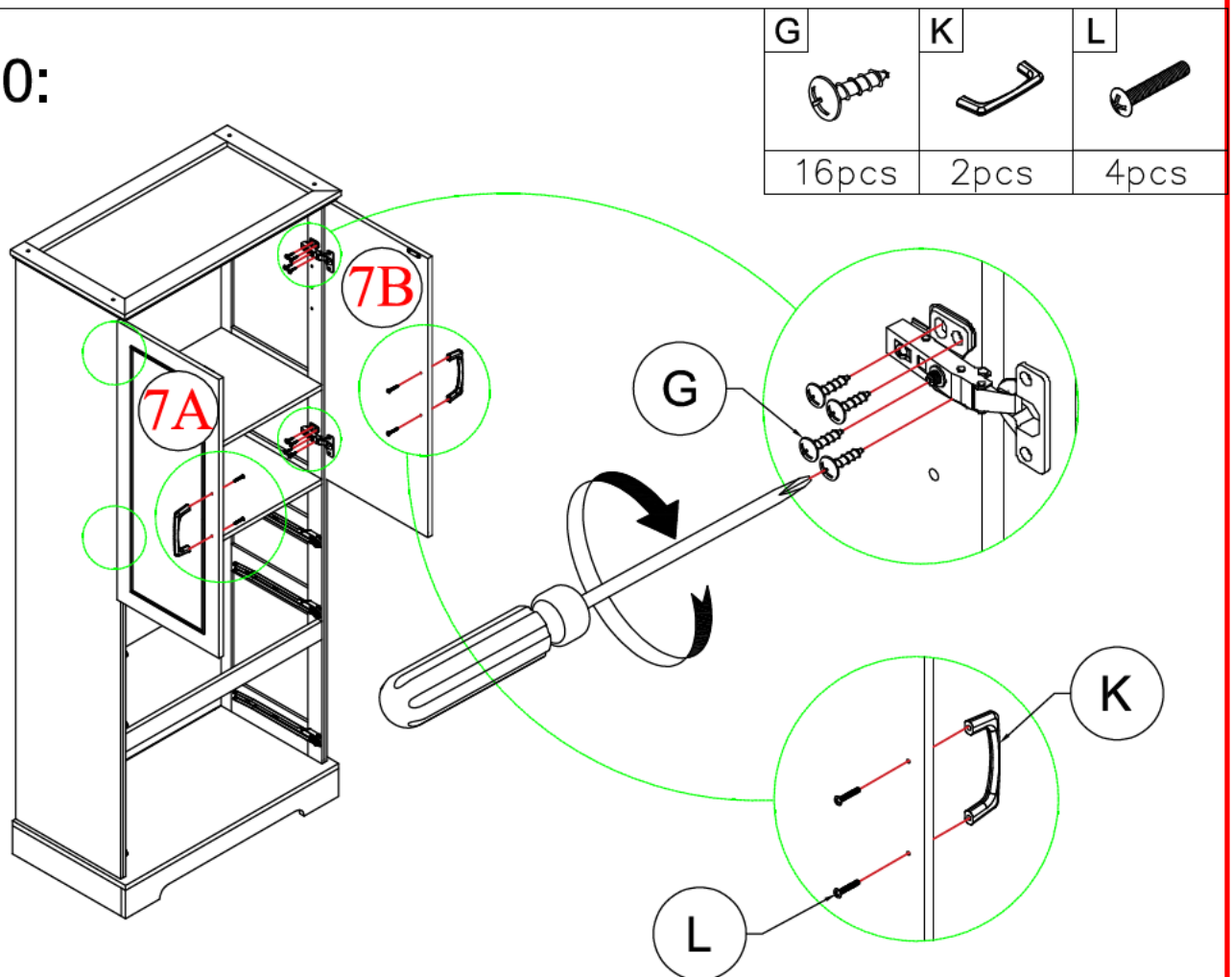
F	G
	
24pcs	24pcs



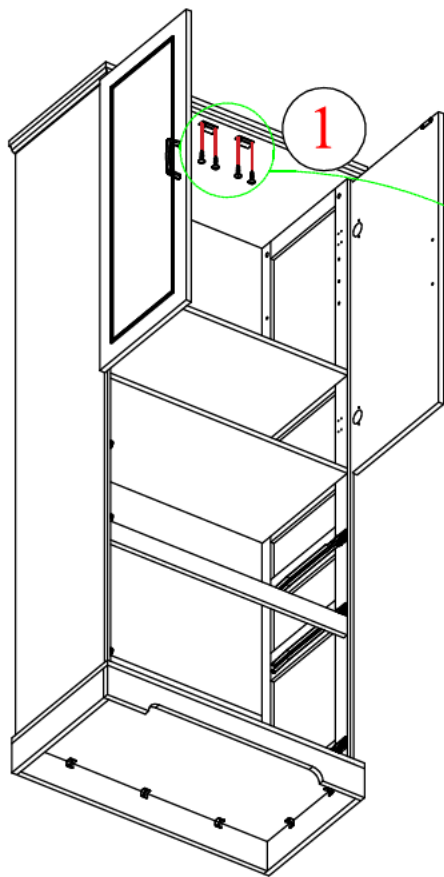
Step 9:


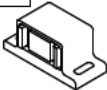


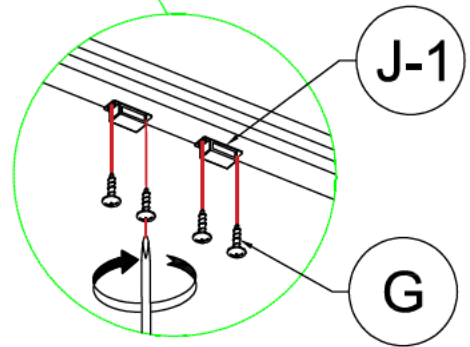
Step 10:



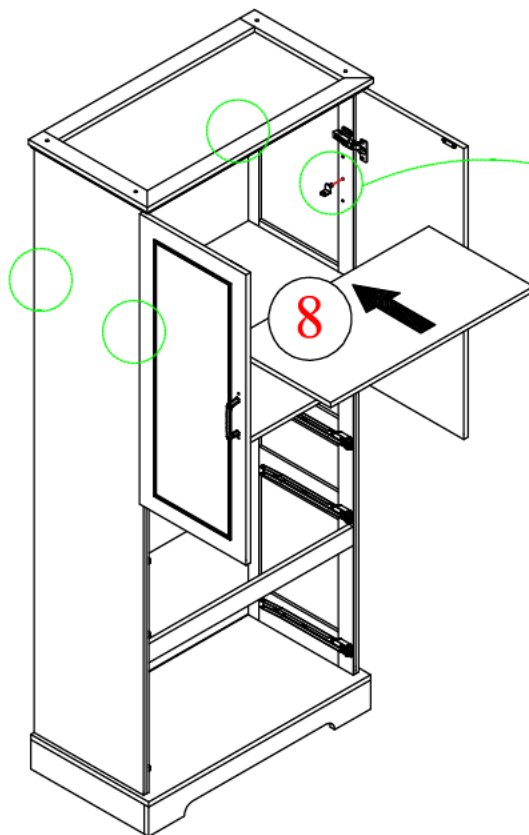
Step 11:




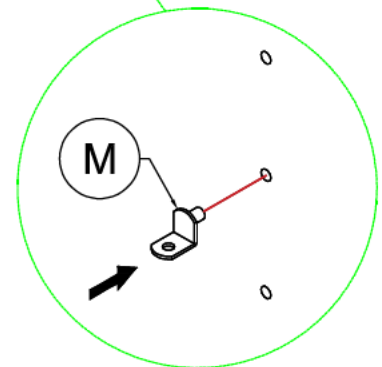
G 	J-1 
4pcs	2pcs



Step 12:



M 
4pcs



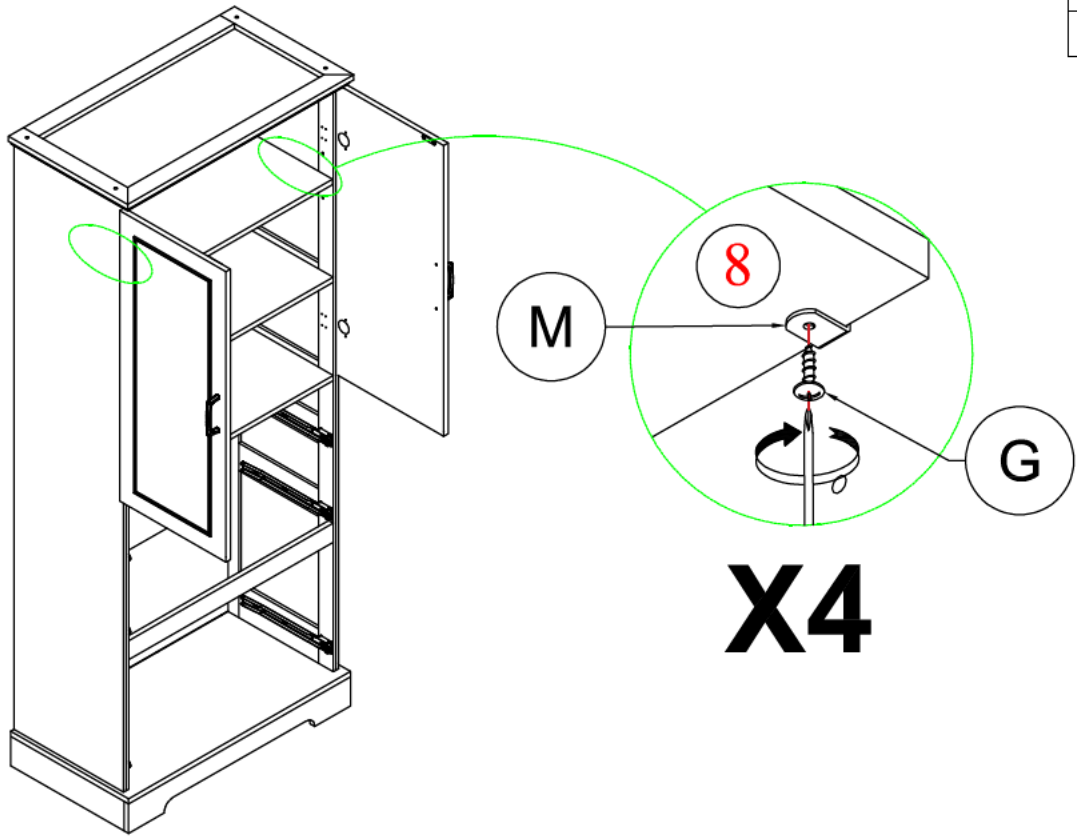
X4

Step 13:

G

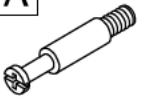


4pcs

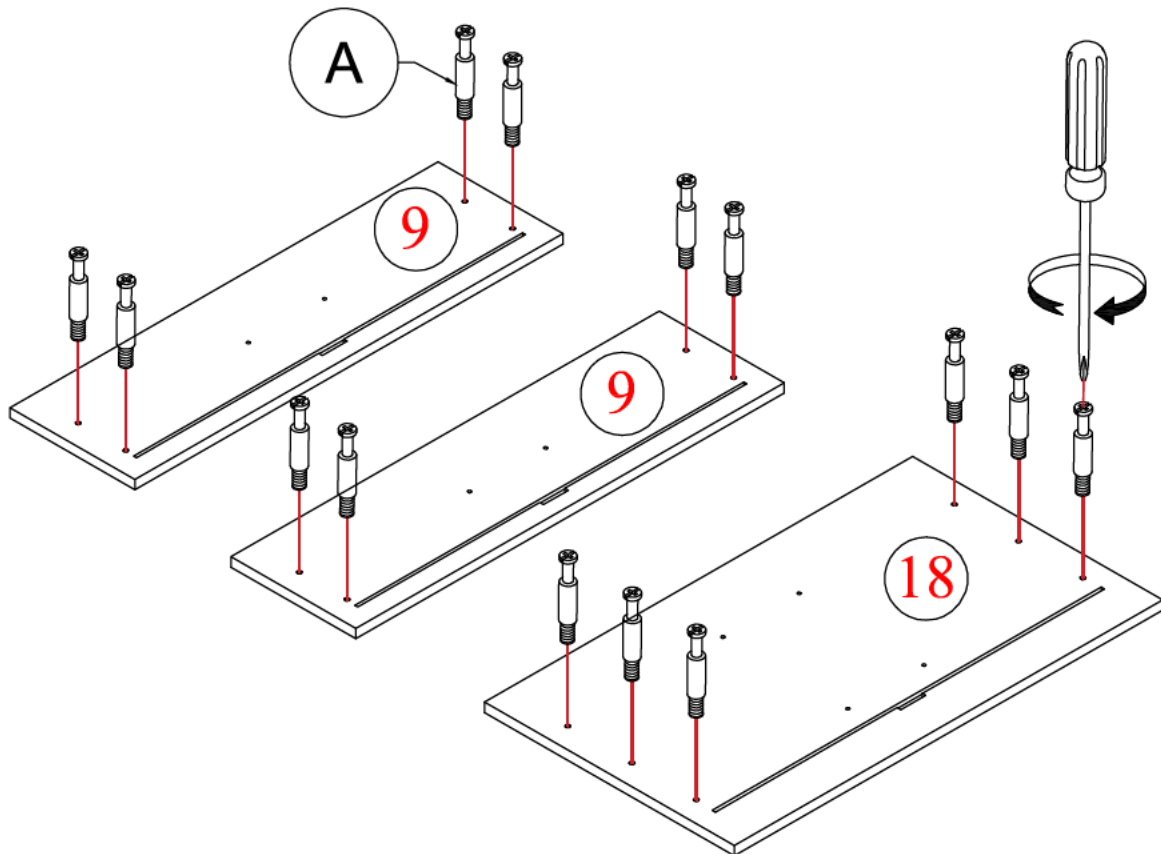


Step 14:

A




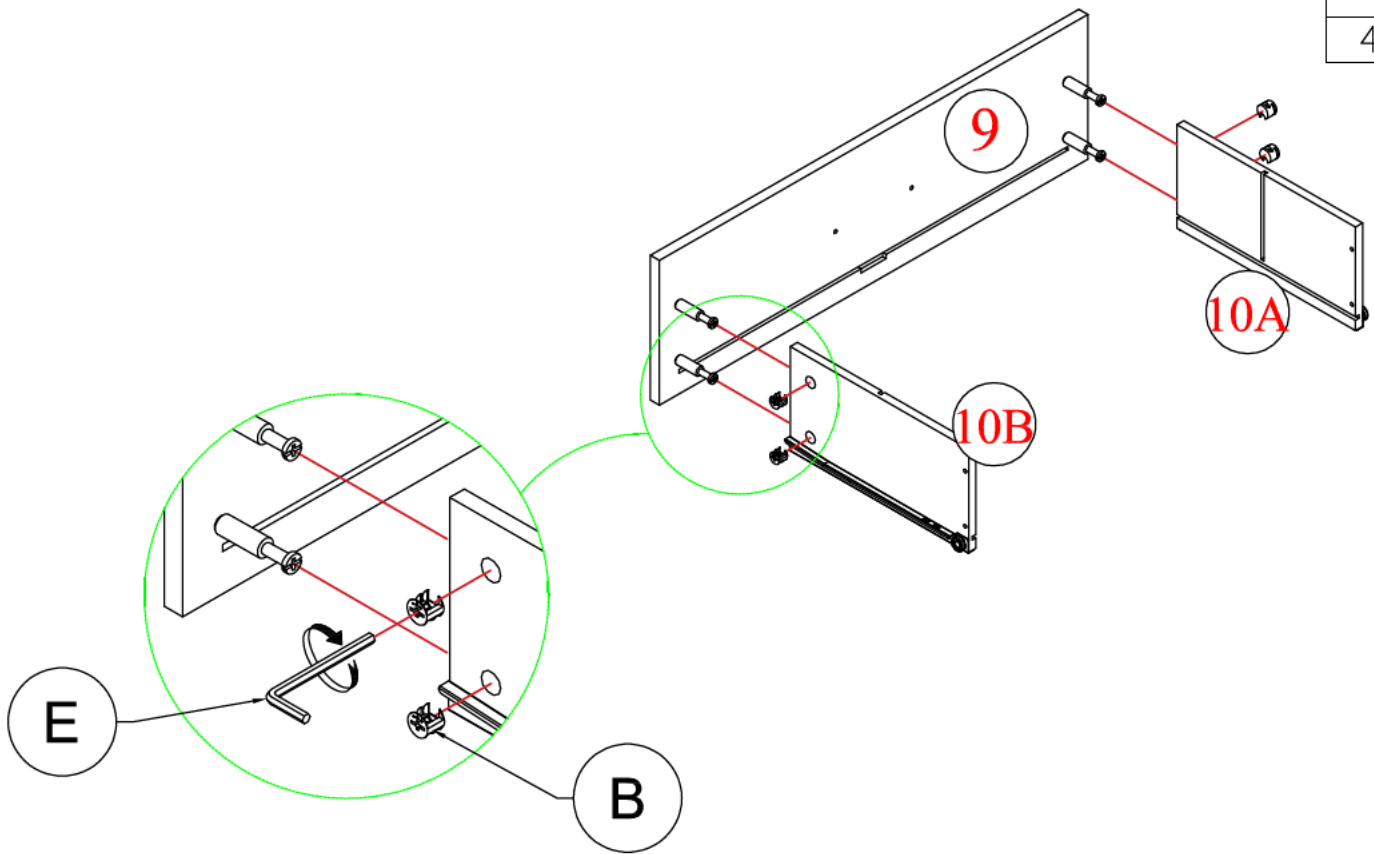
14pcs



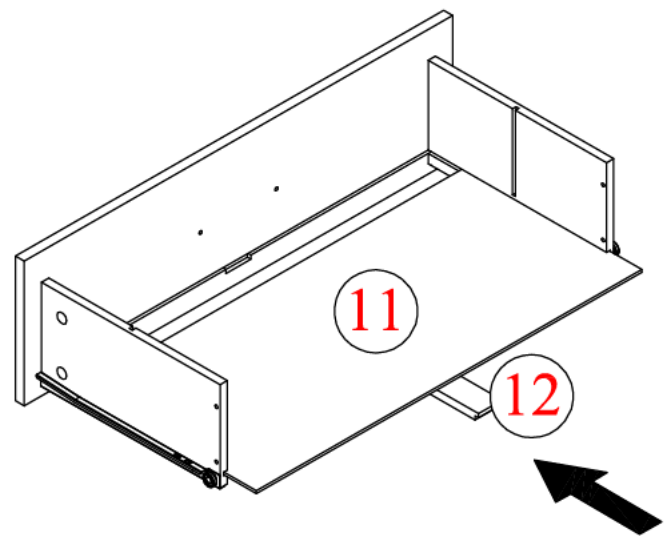
12

Step 15:

B

4pcs



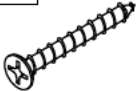


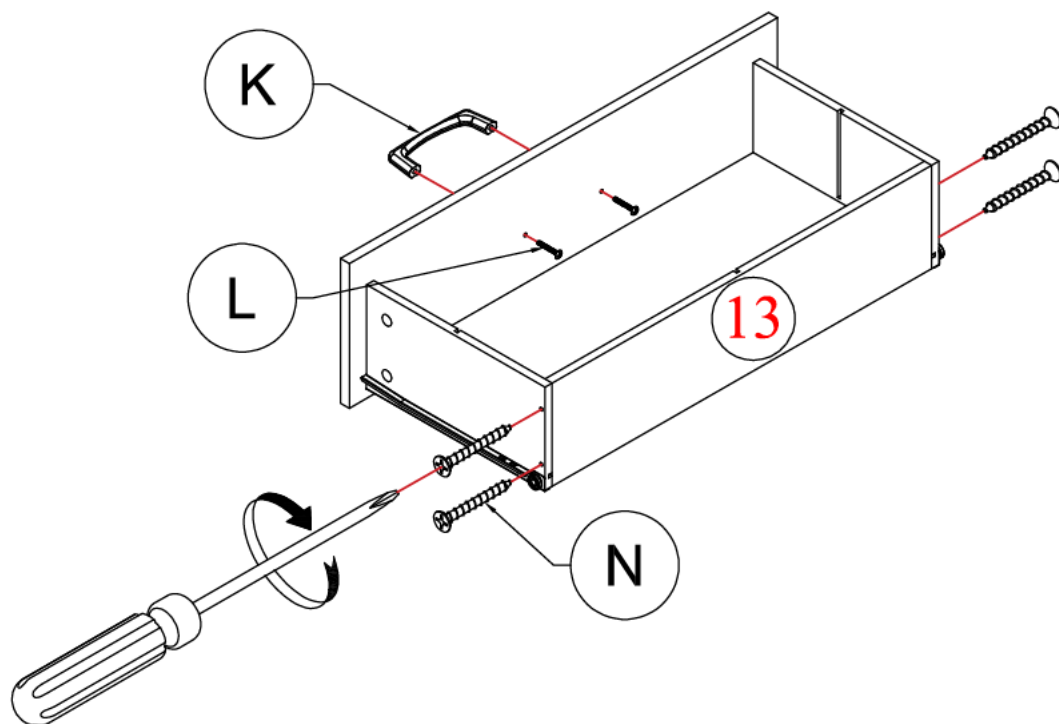
Step 16:



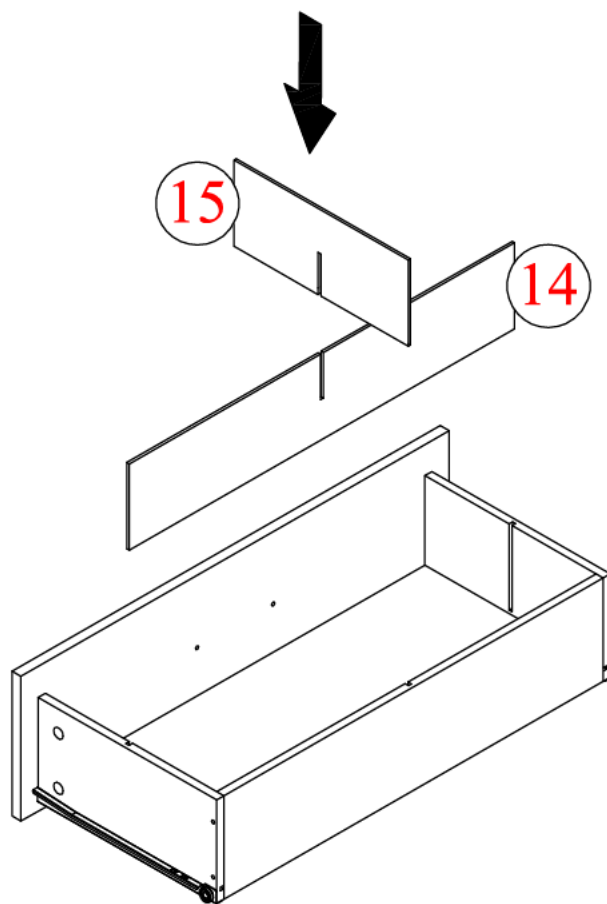
13

Step 17:


K	L	N
		
1pc	2pcs	4pcs

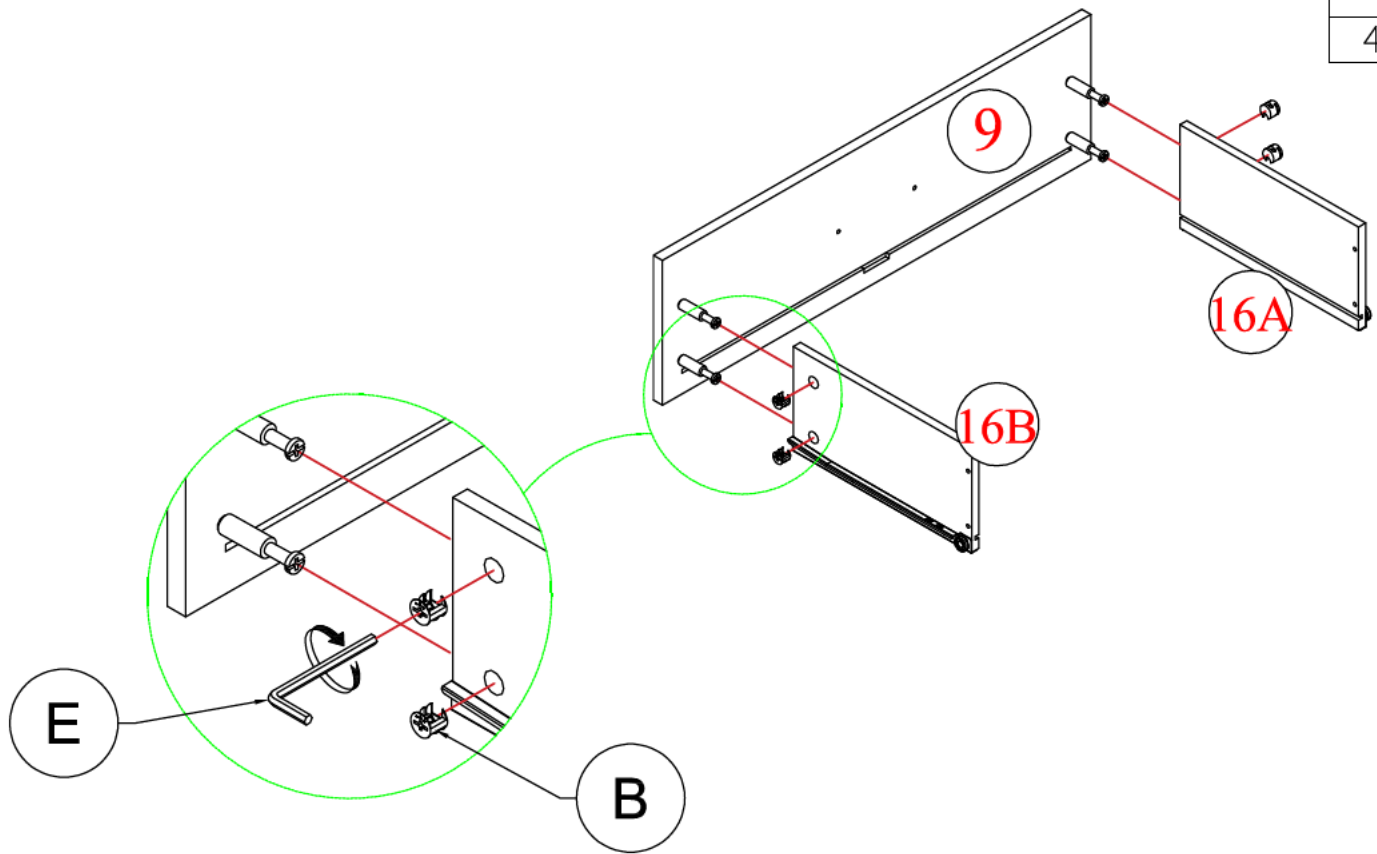


Step 18:

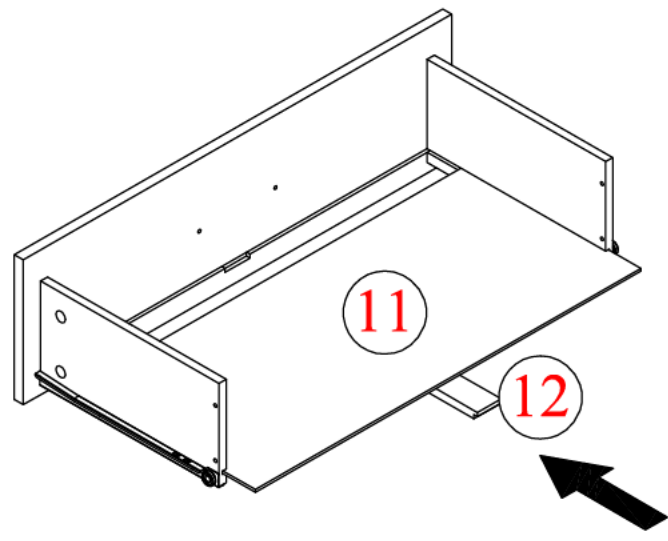


Step 19:



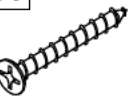
B

4pcs

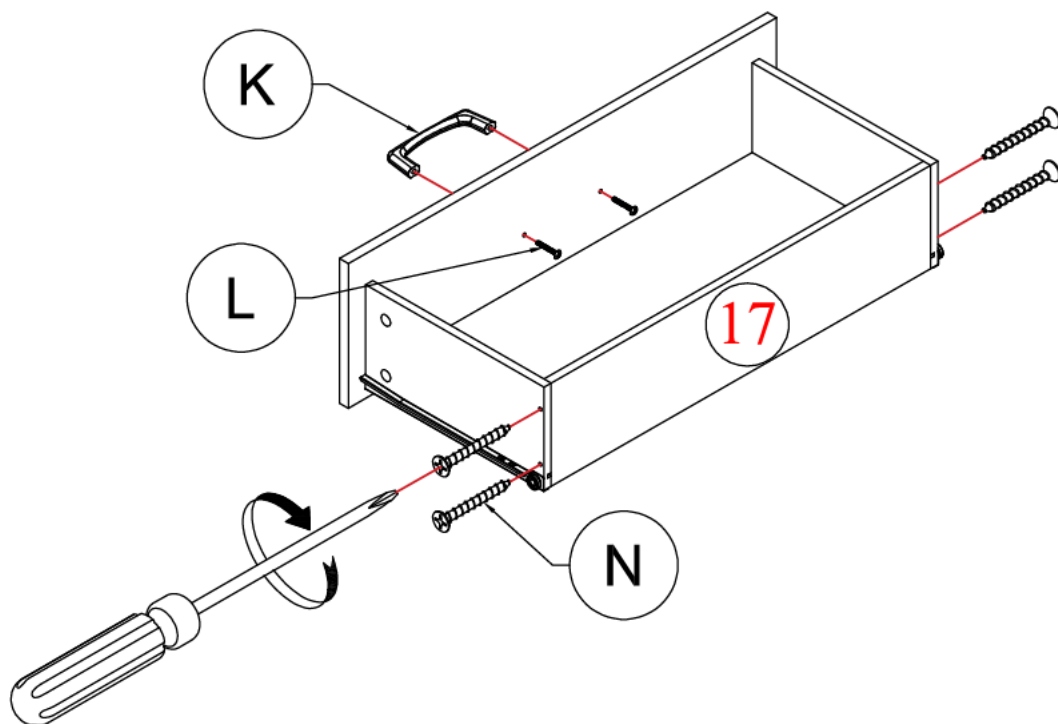


Step 20:

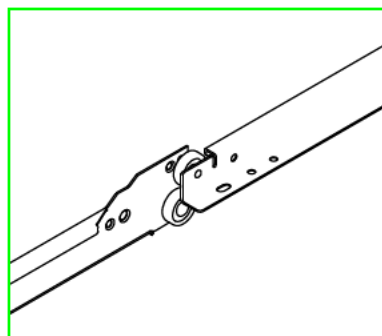
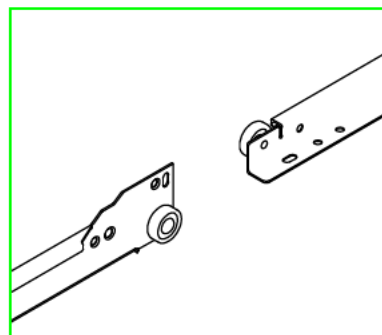
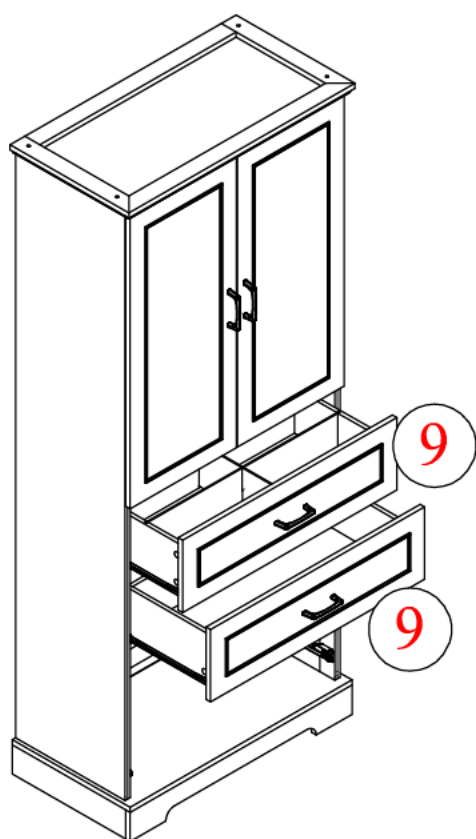


Step 21:

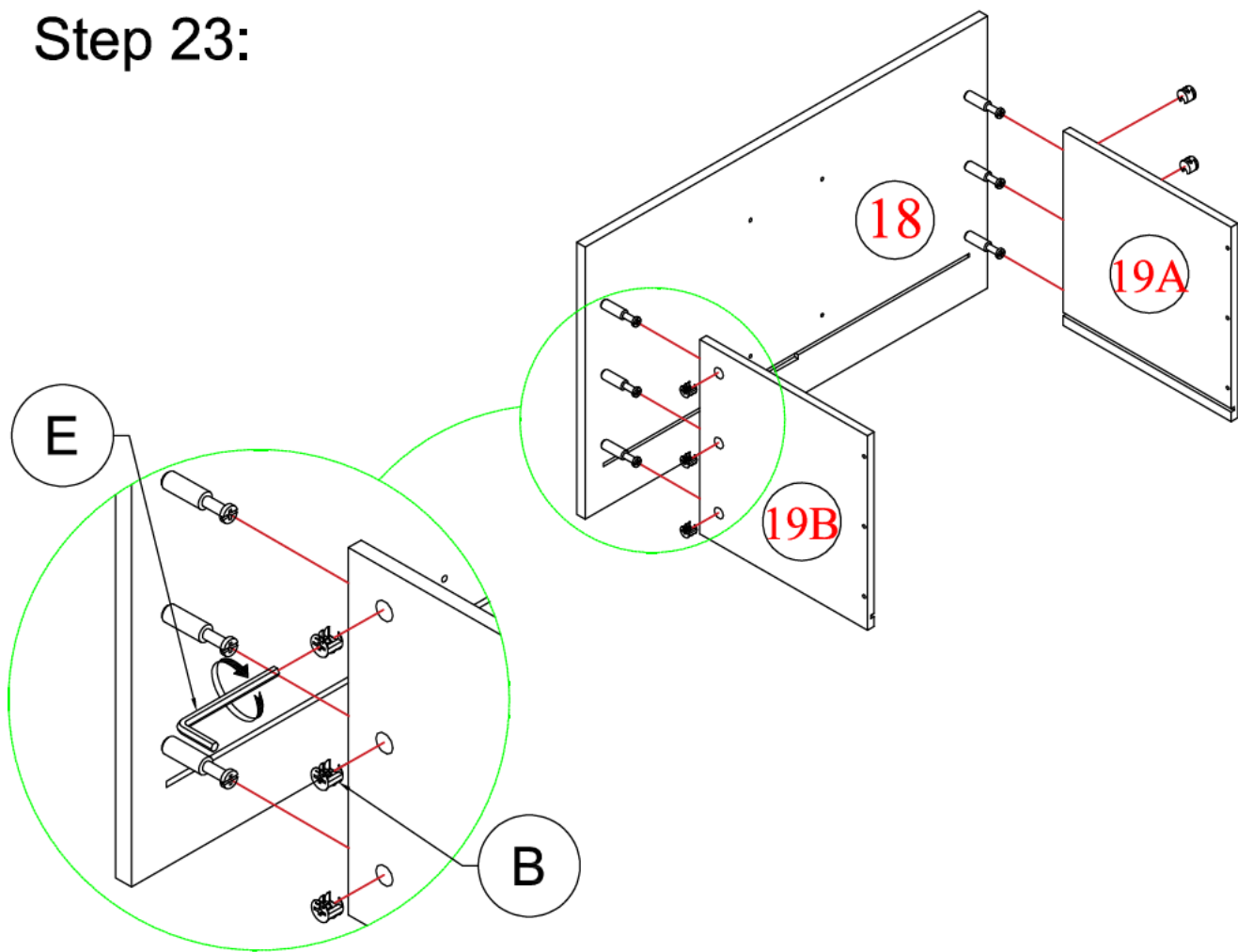
K	L	N
		
1pc	2pcs	4pcs



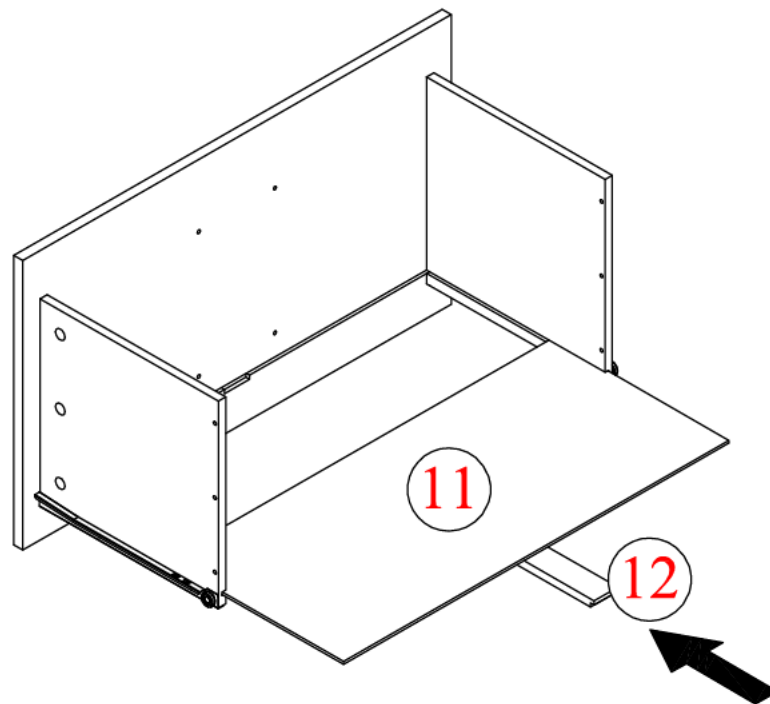
Step 22:



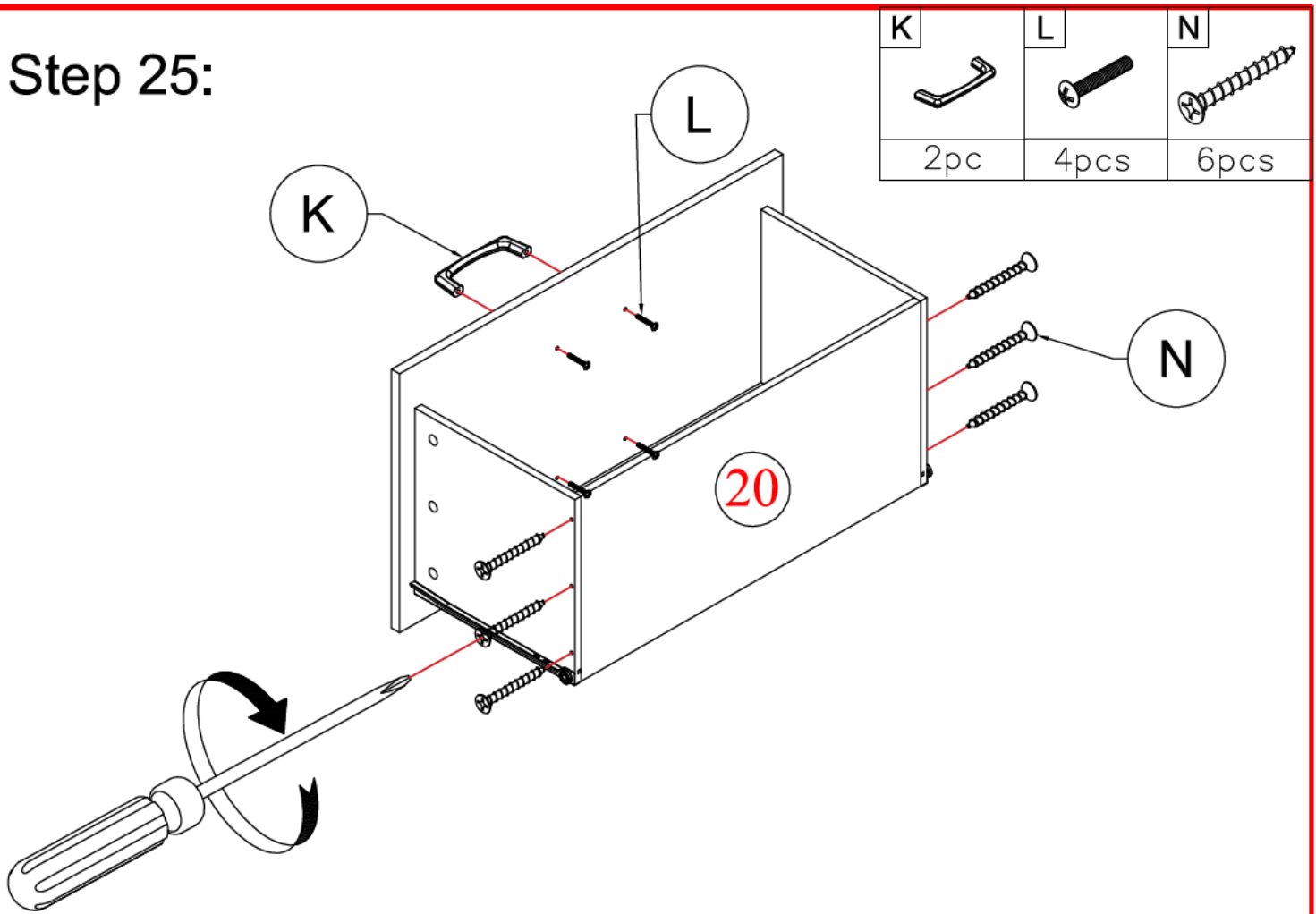
Step 23:



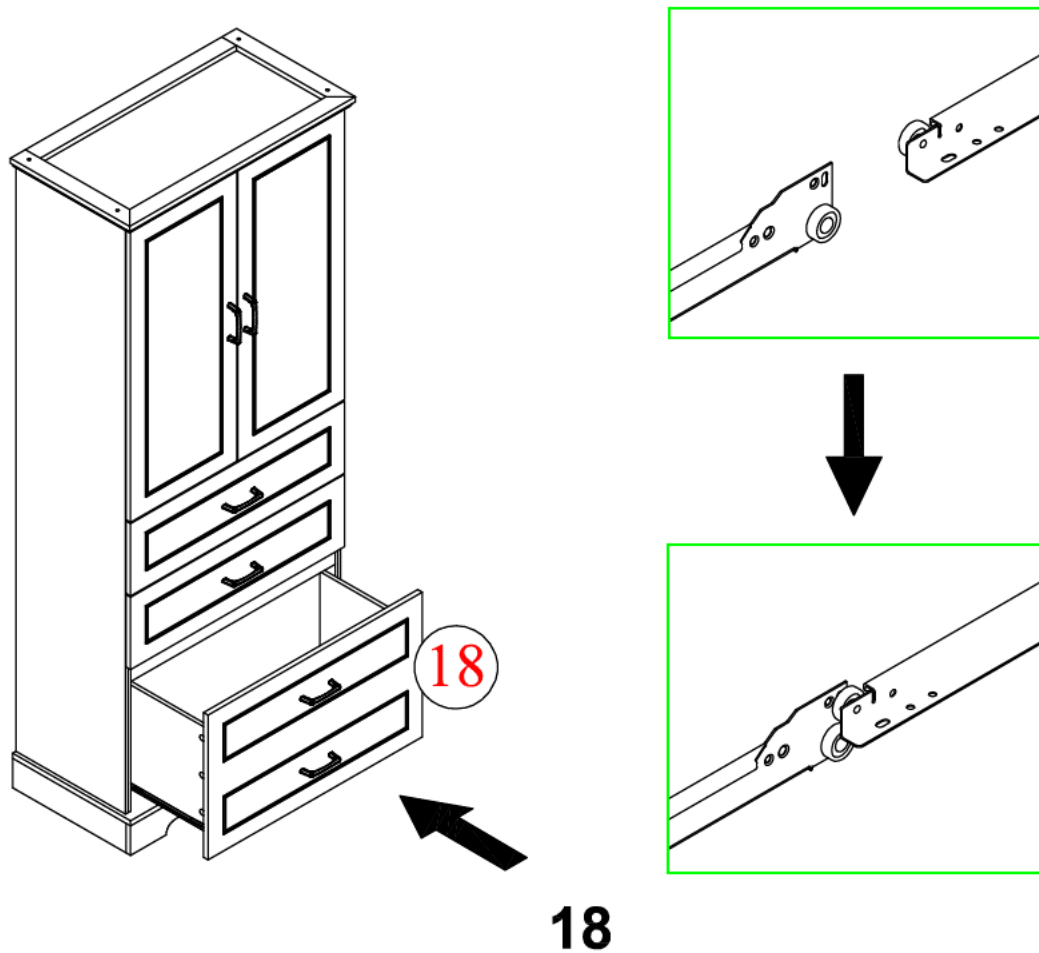
Step 24:



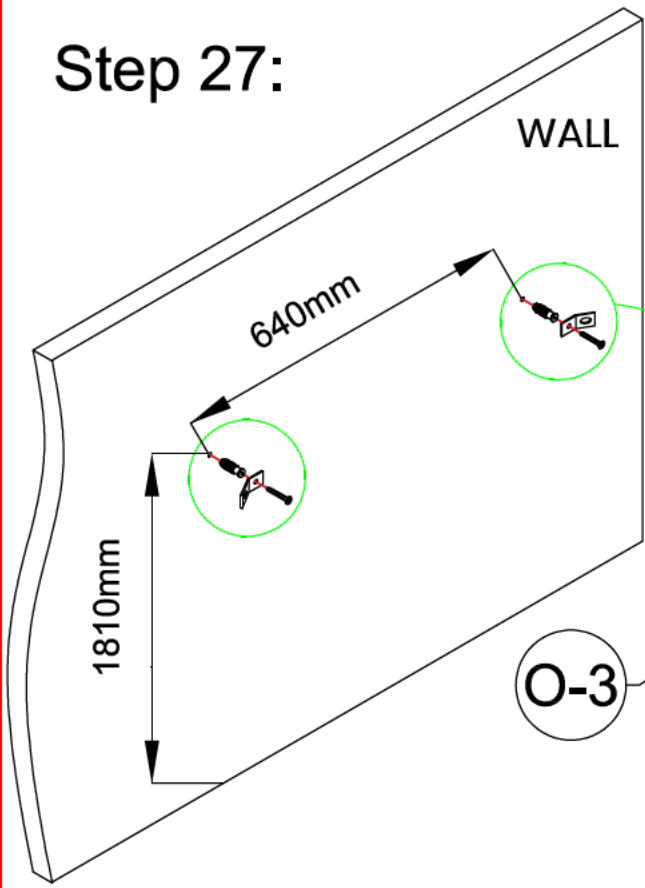
Step 25:



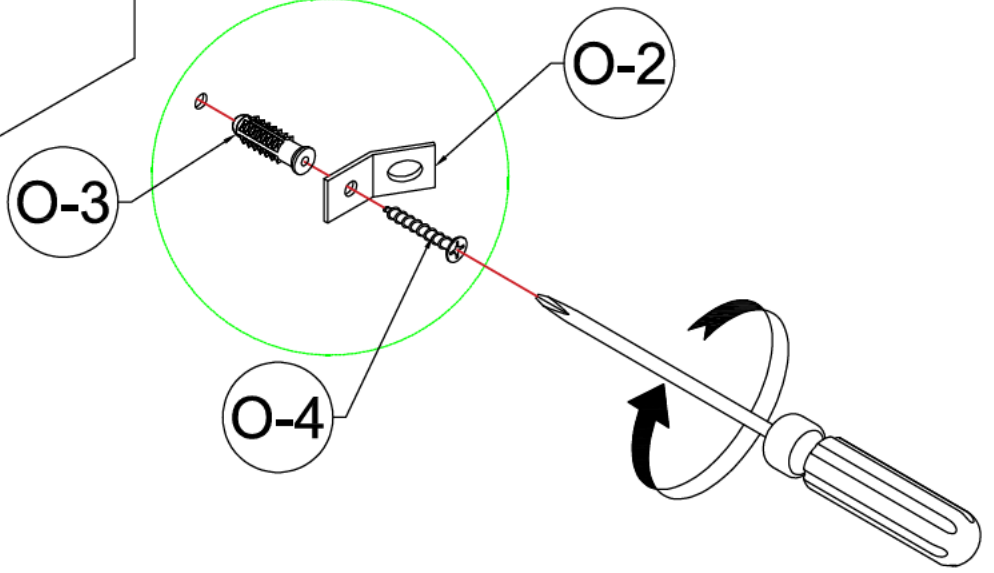
Step 26:



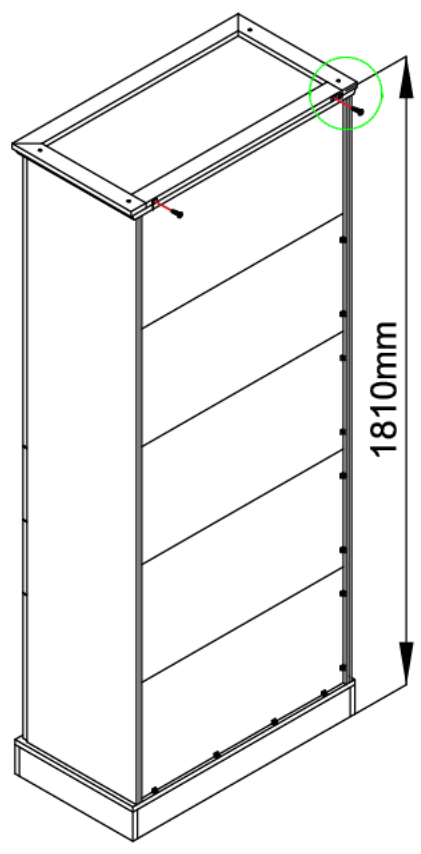
Step 27:



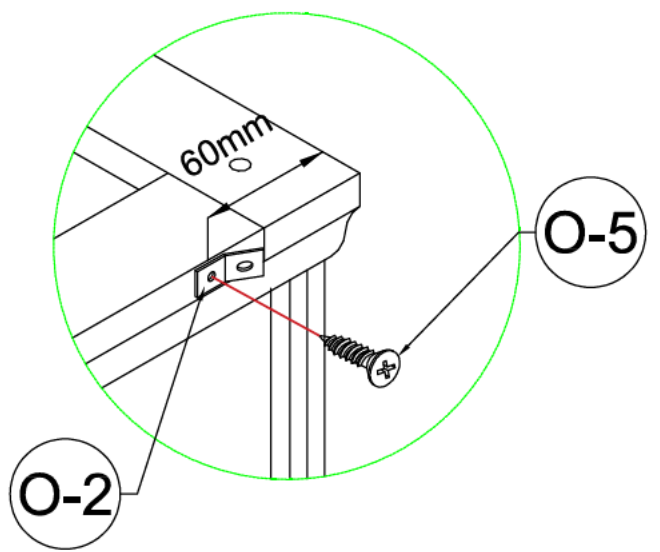
O-2	O-3	O-4
2pcs	2pcs	2pcs



Step 28:



O-2	O-5
2pcs	2pcs

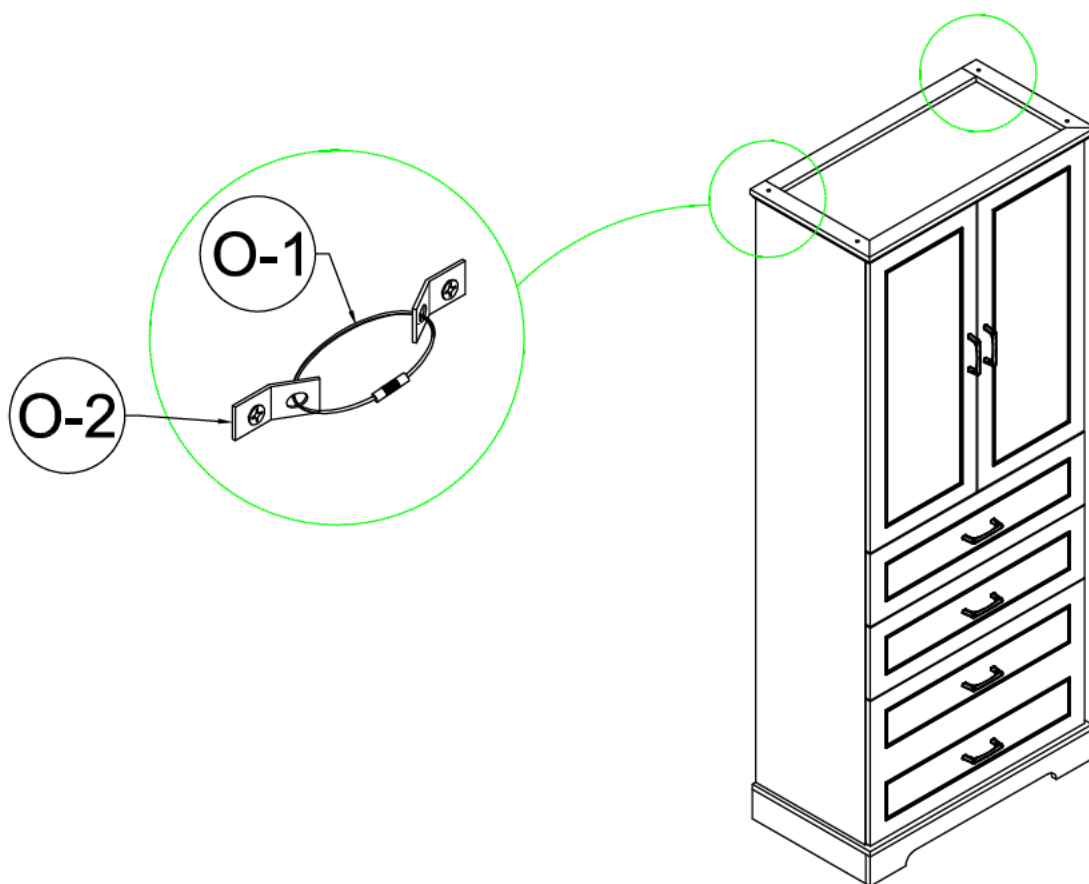


Step 29:

O-1



2pcs



FINISH

