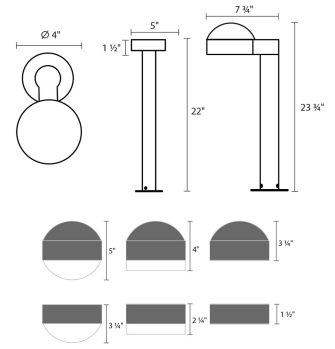


Project:

# Spec Sheet



## Dimensions

|                               |       |
|-------------------------------|-------|
| Height:                       | 22"   |
| Width:                        | 5"    |
| Length:                       | 7.75" |
| Canopy/Backplate/Base:        | 4"    |
| Size:                         | 22"   |
| Canopy/Backplate/Base Height: | 0.25  |

## Electrical Specs

|                        |                          |
|------------------------|--------------------------|
| Bulb(s) Included?:     | Yes                      |
| Bulb 1 Type:           | Integral LED             |
| Bulb Quantity:         | 1                        |
| Input Voltage:         | 12VAC                    |
| Wattage:               | 10                       |
| Initial Lumens:        | 1040                     |
| Color Temperature:     | 3000K                    |
| CRI:                   | 90                       |
| Power Supply Type:     | Transformer              |
| Power Supply Location: | Remote (Sold Separately) |
| Dimming Type:          | Non-dimmable             |
| Bulb Max Wattage:      | 10                       |

## Installation

|               |                               |
|---------------|-------------------------------|
| Installation: | Licensed electrician required |
|---------------|-------------------------------|

## Shipping

|                        |                |
|------------------------|----------------|
| Carton 1 L x W x H:    | 29" X 12" X 9" |
| Carton 1 Gross Weight: | 8 LBS          |
| Fixture Weight:        | 6              |

## Shade

|                   |                                   |
|-------------------|-----------------------------------|
| Lens Type:        | Plate Cap and White Cylinder Lens |
| Shade 1 Material: | Frosted White Polycarbonate       |

## Available Finishes

Available Finishes: Textured Bronze (.72), Textured Gray (.74)

## General Listings

|                    |                     |
|--------------------|---------------------|
| Features:          | Wet Rated           |
| Certification:     | C-ETL-US            |
| Color/Finish:      | Textured Gray (.74) |
| Dark Sky Friendly: | N                   |