









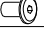

# ASSEMBLY INSTRUCTIONS

## KING PANEL HEADBOARD

Thank you for purchasing this quality product. Be sure to check all packing material carefully for small parts, which may have come loose inside the carton during shipment. Identify and count all part and compare with the Hardware List below.

Headboard	No.	Description		Qty
	A	Headboard Panel		1 pc
	B	Left Headboard Leg		1 pc
	C	Right Headboard Leg		1 pc
	D	Stretcher		1 pc

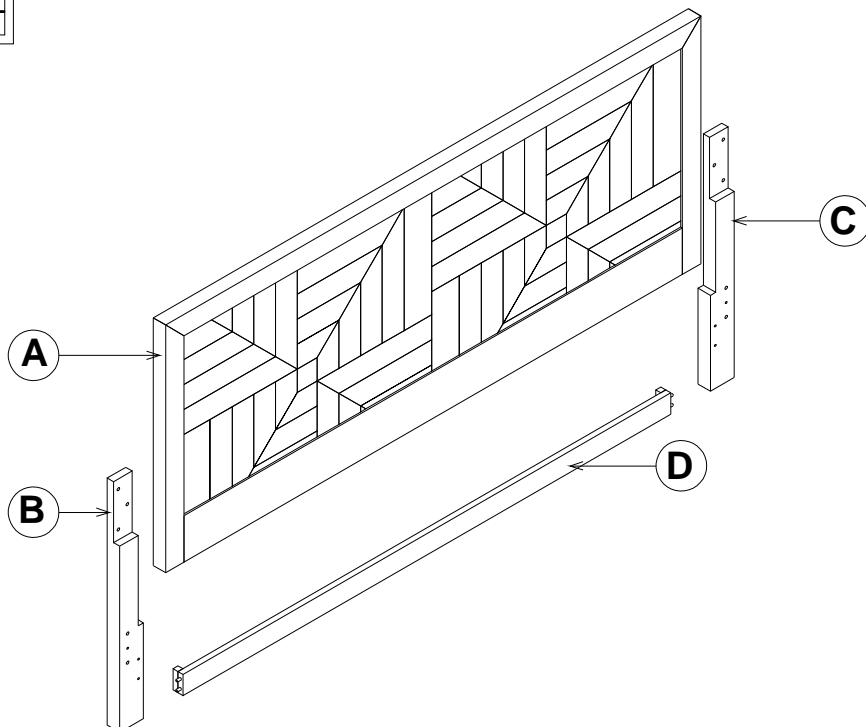
  

Hardware List	No.	Picture	Description	Dimension	Qty	
	1		Bolt	M8 x 50 mm	6 pcs	
	2		Thick Flat Washer	Ø19xØ8x1 mm	8 pcs	
	3		Lock Washer	Ø12xØ8x1 mm	8 pcs	
	4		Bolt	M8 x 38 mm	2 pcs	
	5		Allen Wrench	M4	1 pcs	
	HW Of frame metal (by other)					
	6		Thick Flat Washer (By other)	Ø18xØ6x2 mm	4 pcs	
	7		Lock Washer (By other)	Ø13xØ6x1 mm	4 pcs	
	8		Bolt (By other)	M6 x 45 mm	4 pcs	
	9		Sleeve Nut (By other)	M6	4 pcs	
10		Allen Wrench (By other)	M4	1 pcs		

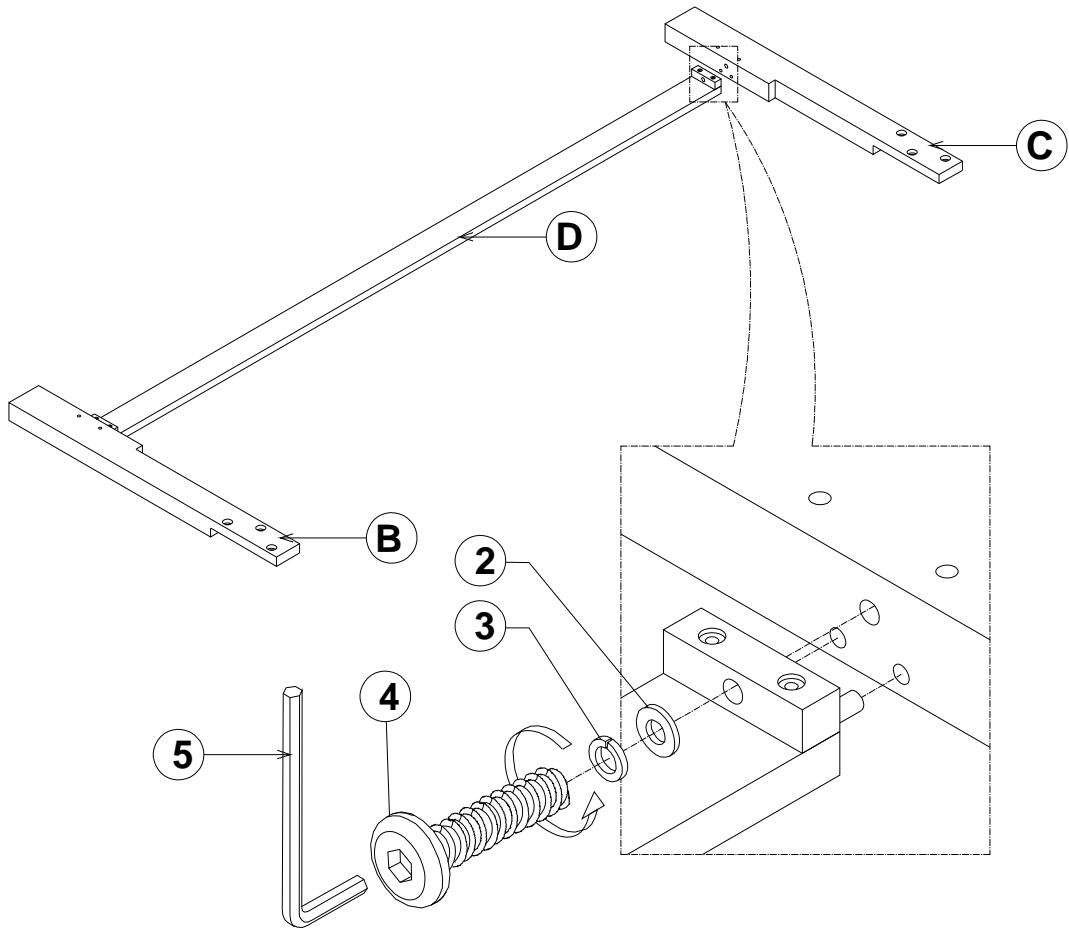
  

**Note :**

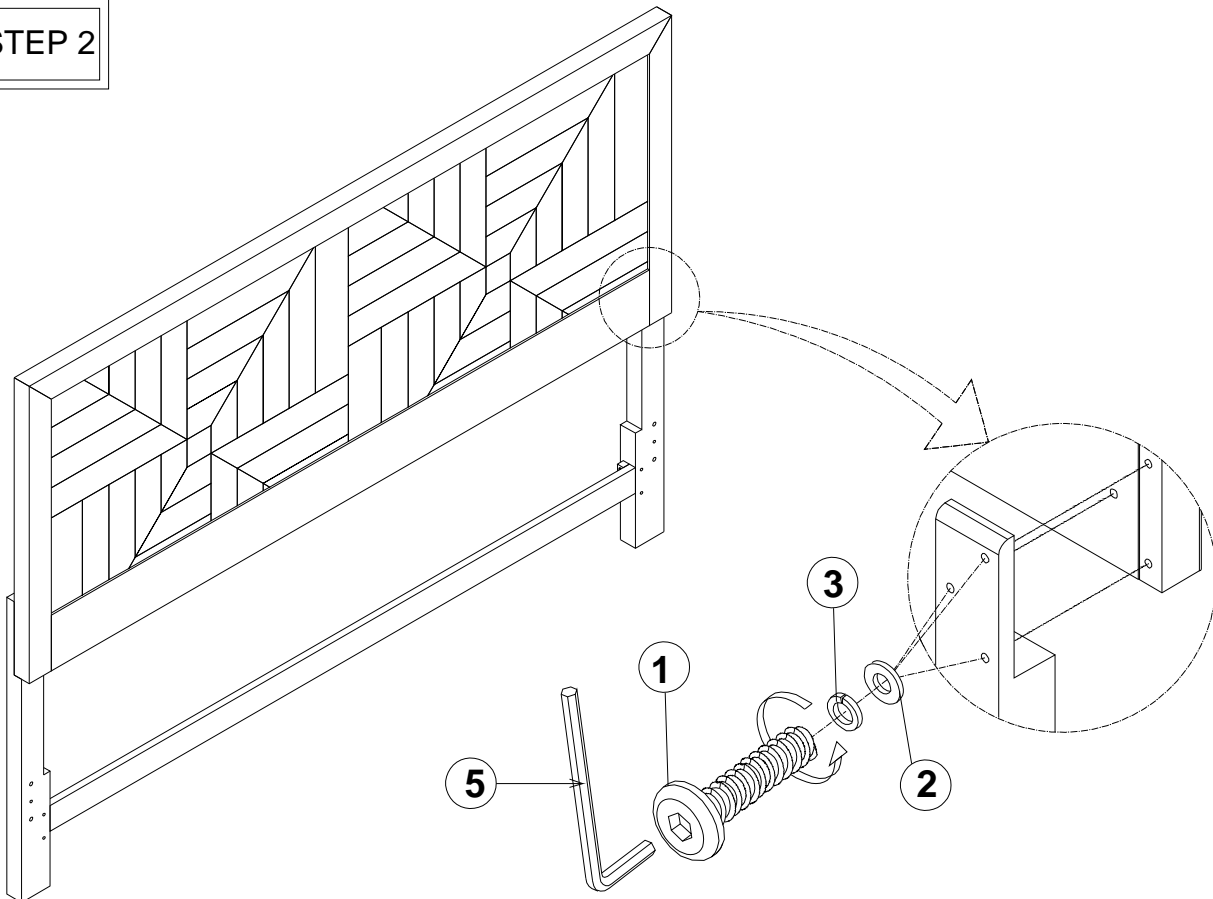
### PART DETAIL



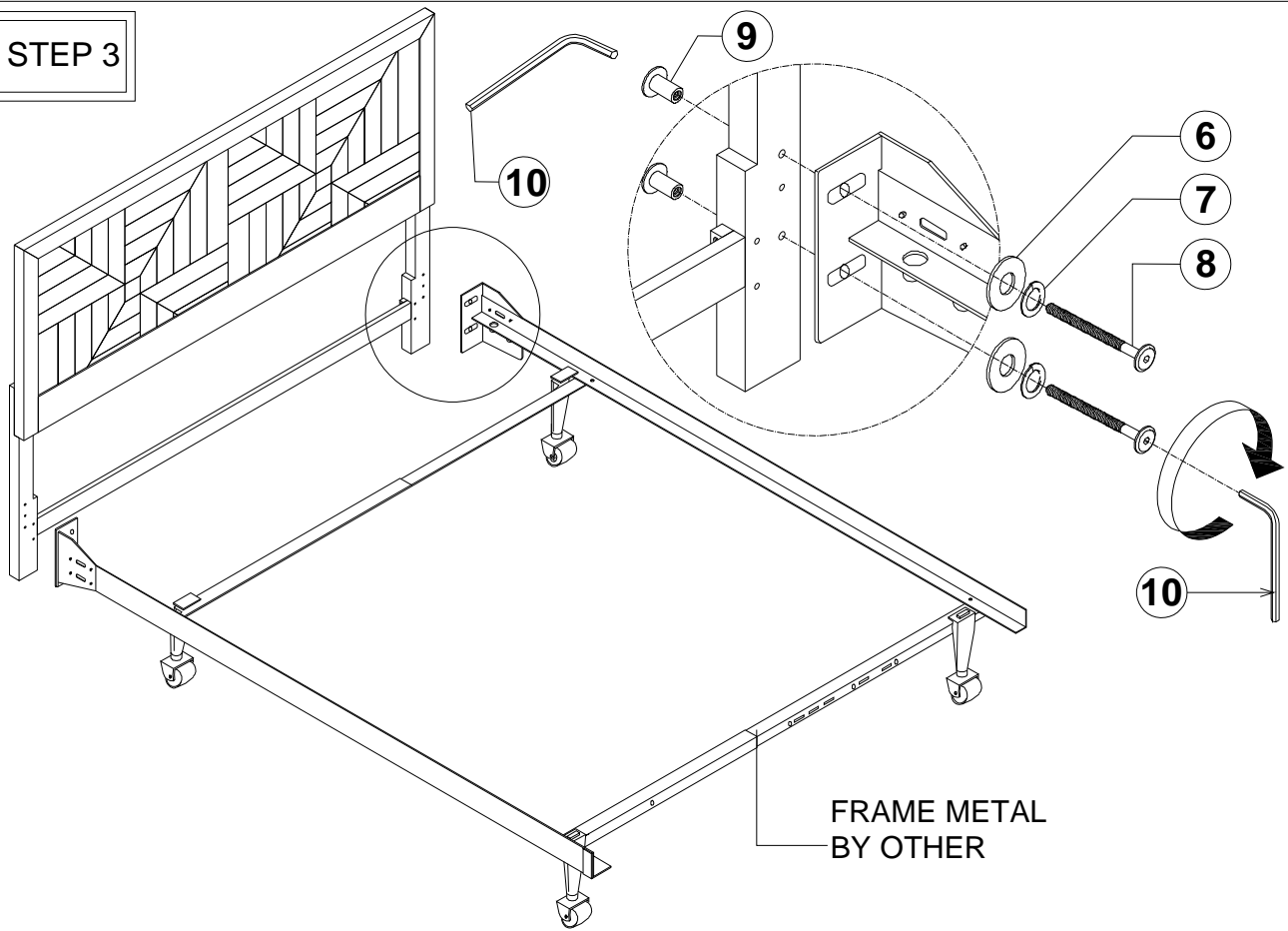
STEP 1



STEP 2

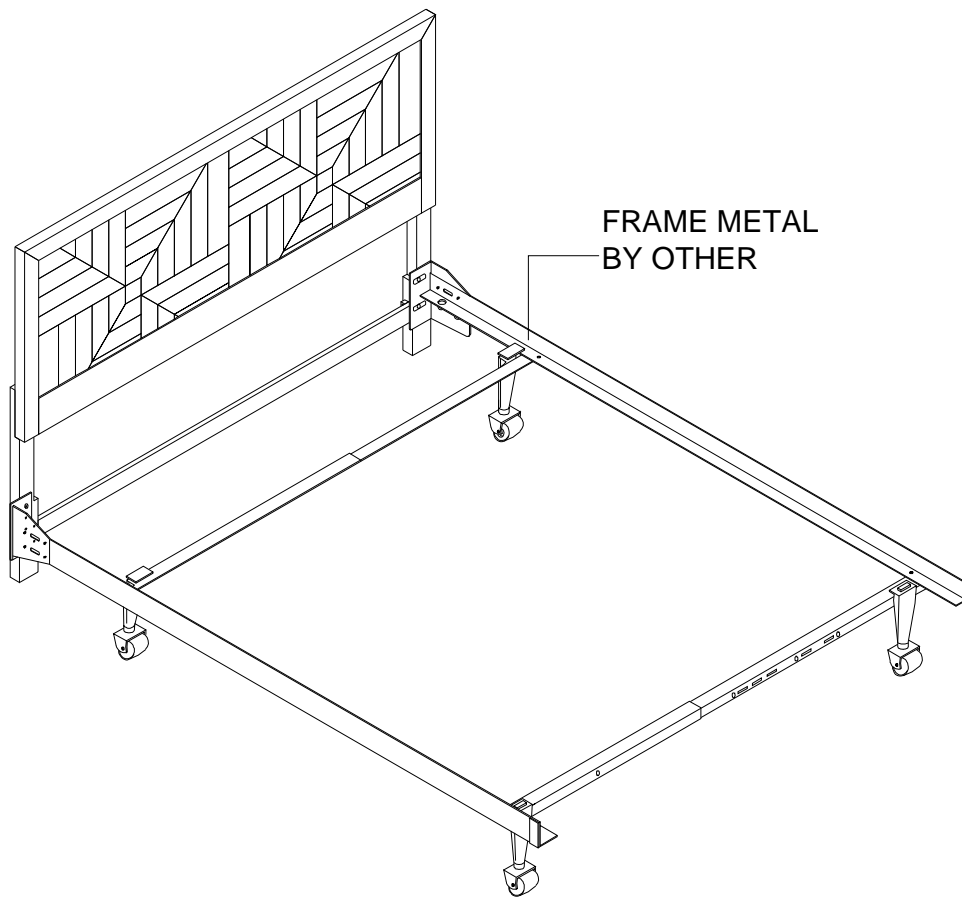


STEP 3



FRAME METAL  
BY OTHER

STEP 4



FRAME METAL  
BY OTHER