

6400 · 6500 Series

HEAVY DUTY STEEL STOOLS WITH VINYL PADDING



products meet or exceed applicable ANSI/BIFMA standards



MODEL 6418HB SHOWN ▶

THE OPTIONAL VINYL PADDED BACKREST ADJUSTS 2" UP/DOWN AND 2" FORWARD/BACK

1/2" VINYL PADDING RIVETED THRU THE STEEL SEAT PAN

MODEL 6418 ▶

MODEL 6524HB SHOWN

CLICK HERE TO VIEW MARKETING VIDEO

300lb. weight capacity!

SPECS 6400 SERIES:

- 18"H, 24"H or 30"H sizes fixed and adjustable with an optional backrest
- 7/8" O.D. 18-gauge steel tubing with fixed or adjustable legs
- Seat is 14" diameter with an 11 1/2" diameter 1/2" vinyl padding riveted through the steel seat pan
- Foot rings, 5/8" O.D. are welded to each leg by 4 contact points at each leg for added rigidity
- Optional vinyl padded backrest; 6"H and 12"W and adjusts up/down and forward/back
- Optional height adjustable legs; adjust in 1" increments up to eight additional inches

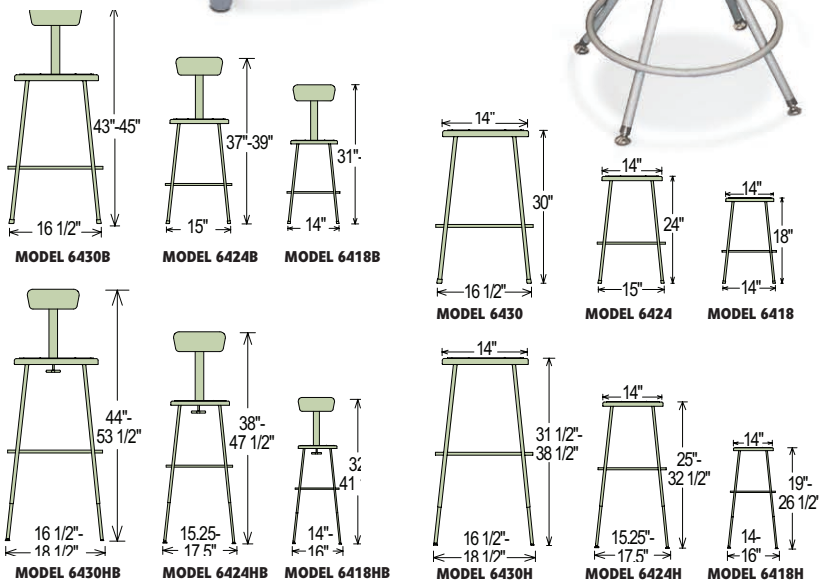
SPECS 6500 SERIES:

- Height adjustable from 24 – 28"
- 7/8" O.D. 16-gauge steel tubing
- Swivel seat 360 degrees
- Foot rings, 5/8" O.D. are welded to each leg by 4 contact points at each leg for added rigidity

Stools come in 3 convenient sizes:

- **18"** for use with your **30"** table
- **24"** for use with your **36"** table
- **30"** for use with your **42"** table

or use adjustable legs for alternate height options



National Public Seating



800.261.4112 | www.nationalpublicseating.com