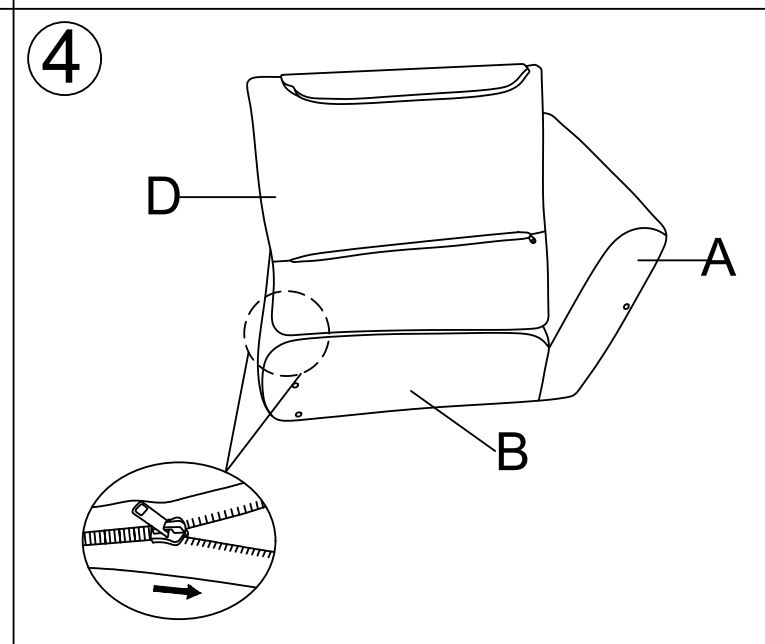
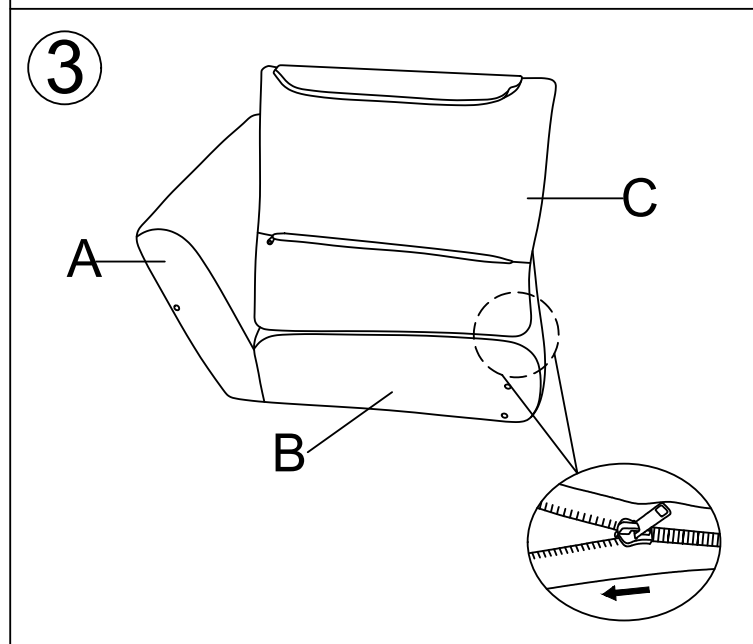
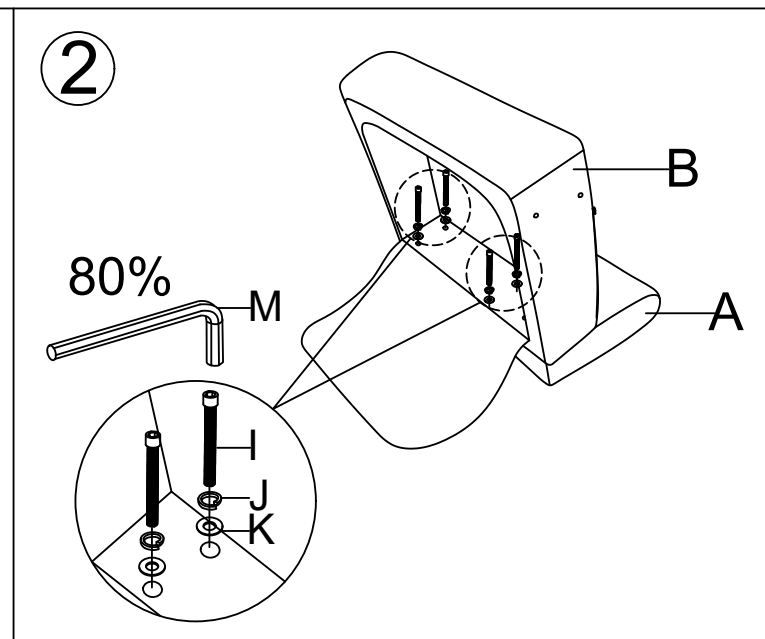
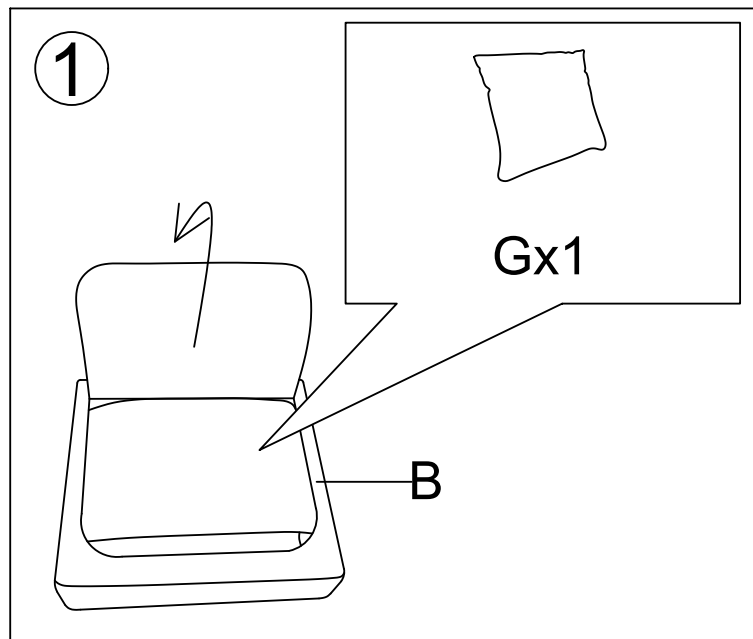
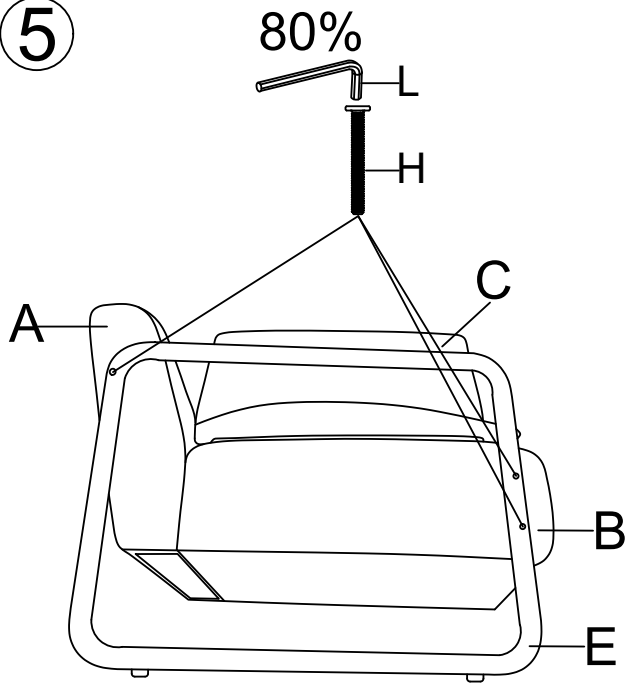


ASSEMBLY INSTRUCTIONS

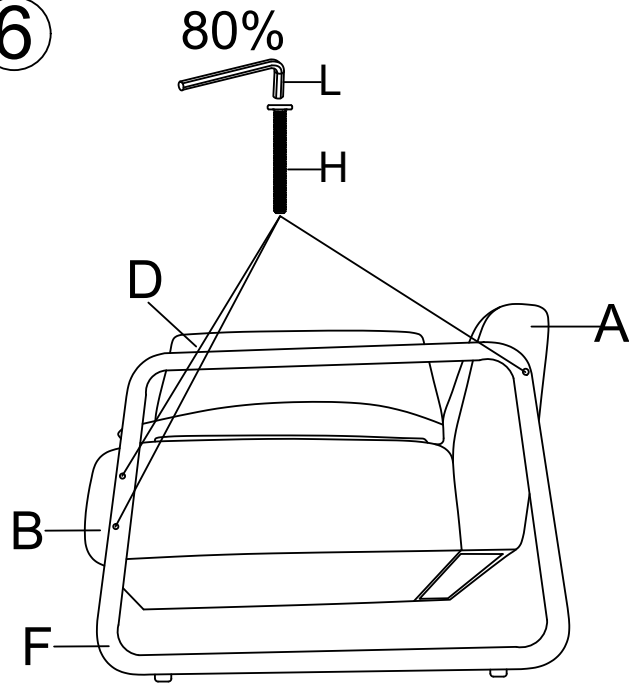
Ax1 	Fx1
Bx1 	Gx1
Cx1 	Hx6
	Ix4
Dx1 	Jx4
	Kx4
Ex1 	Lx1
	Mx1



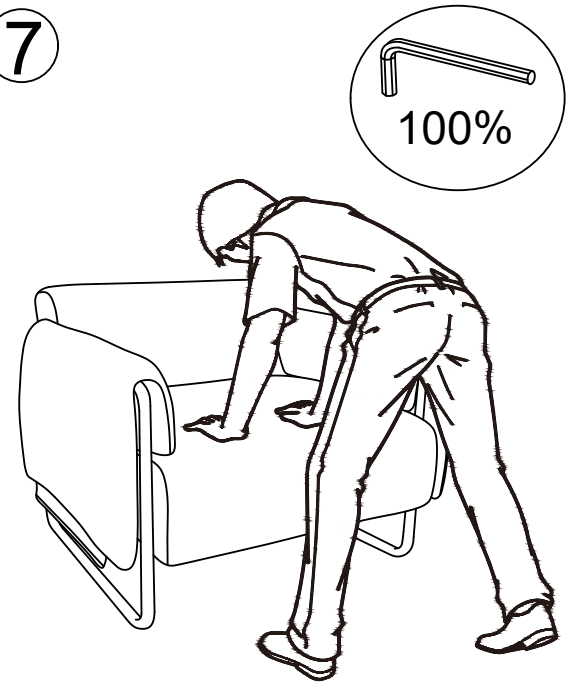
5



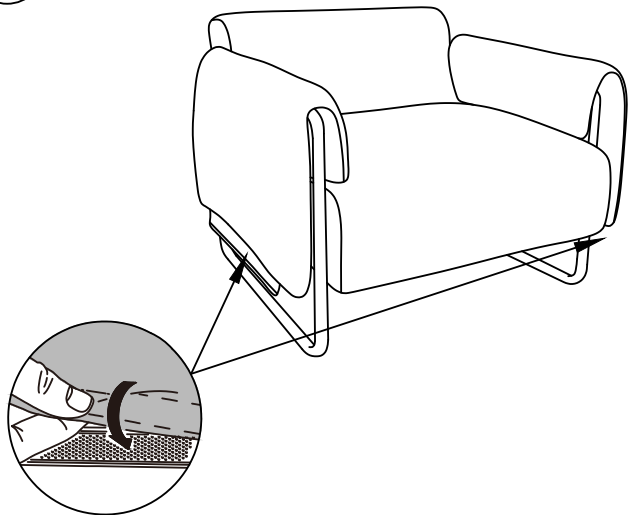
6



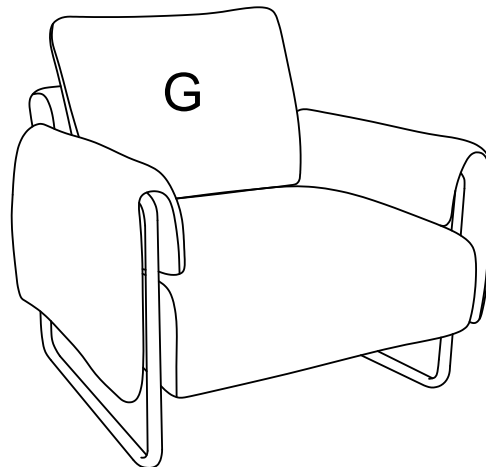
7



8



9



10

