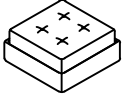



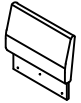








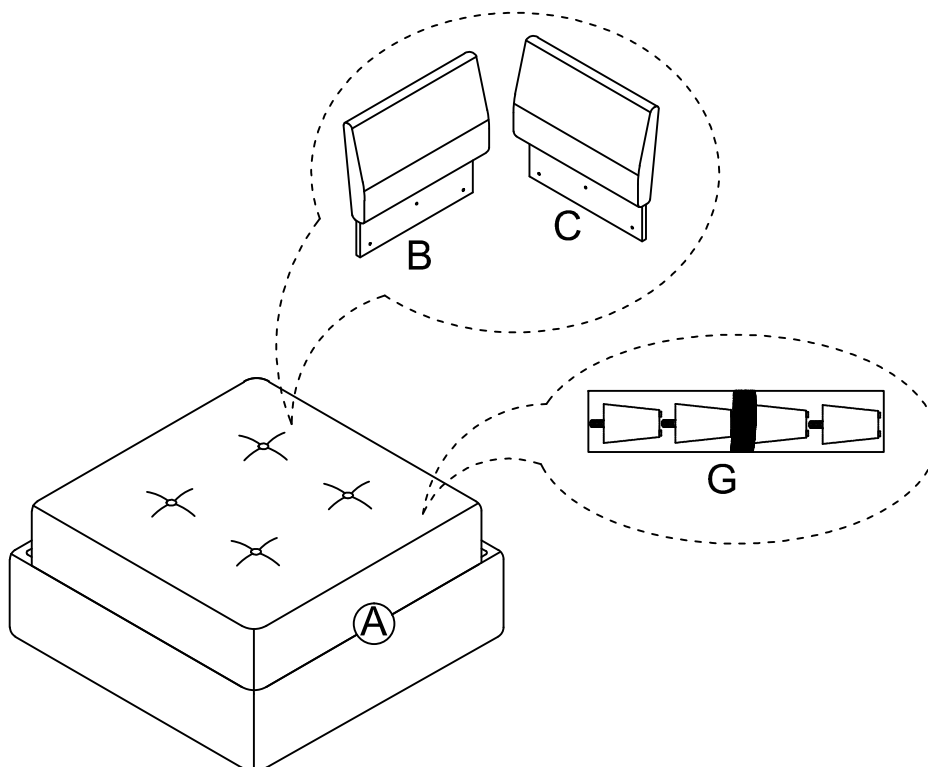


ASSEMBLY INSTRUCTION

CORNER SEAT WITH STORAGE

NO.	PARTS LIST	QTY	DESCRIPTION	NO.	PARTS LIST	QTY	DESCRIPTION
A		1	Seat Frame	H		4	Washer
B		1	Left Back Rest	I		6	Allen Bolt φM8*35
C		1	Right Back Rest	K		6	Flat Washer M8*φ22*1.5mm
D		1	Left Back Cushion	L		6	Lock Washer M8
E		1	Right Back Cushion	M		1	Allen Key M5*100*50mm
F		1	Ear	N		2	Clamp 60*40*5mm
G		4	Plastic Leg 65*65*118mm				

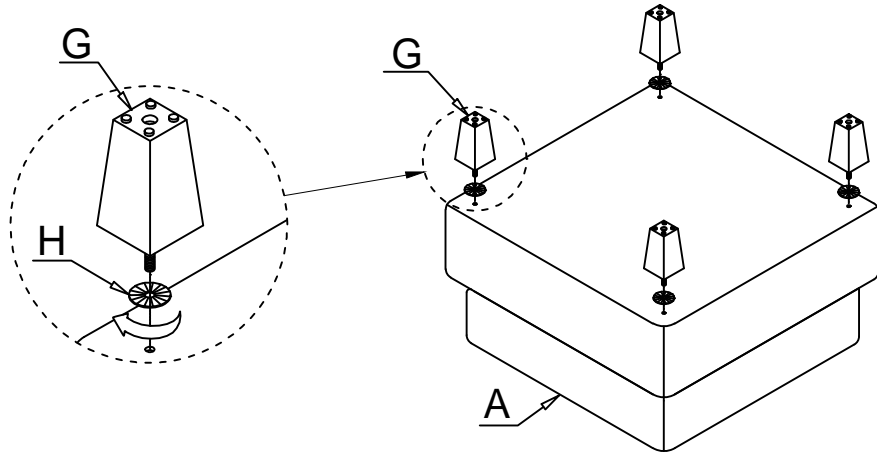
STEP 1: Take out Left Back rest (B), Right Back rest (C), Plastic leg (G), Washer (H), Allen Bolt (I), Flat Washer (K), Lock Washer (L), Allen Key (M), Clamp (N) from the bottom.



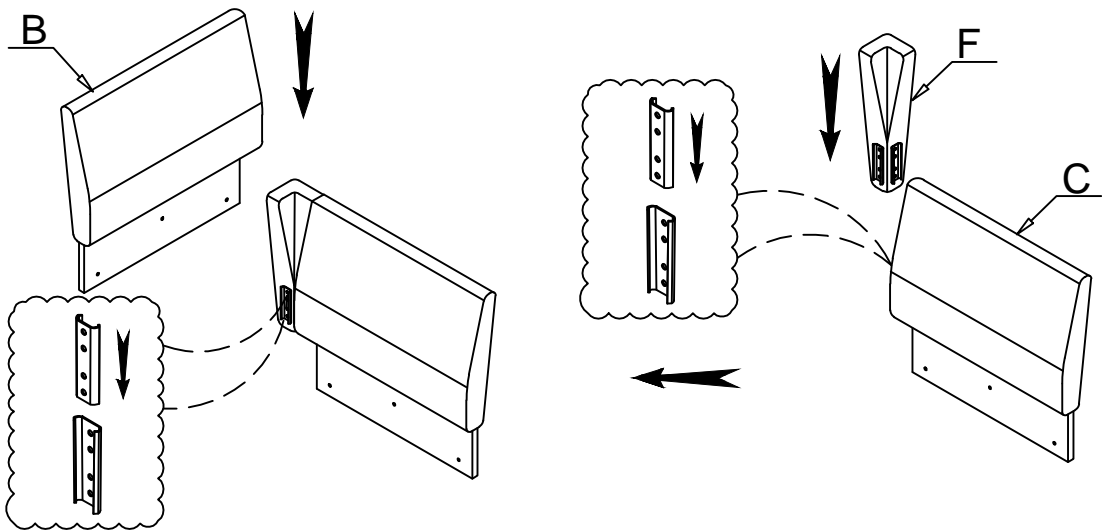
ASSEMBLY INSTRUCTION

CORNER SEAT WITH STORAGE

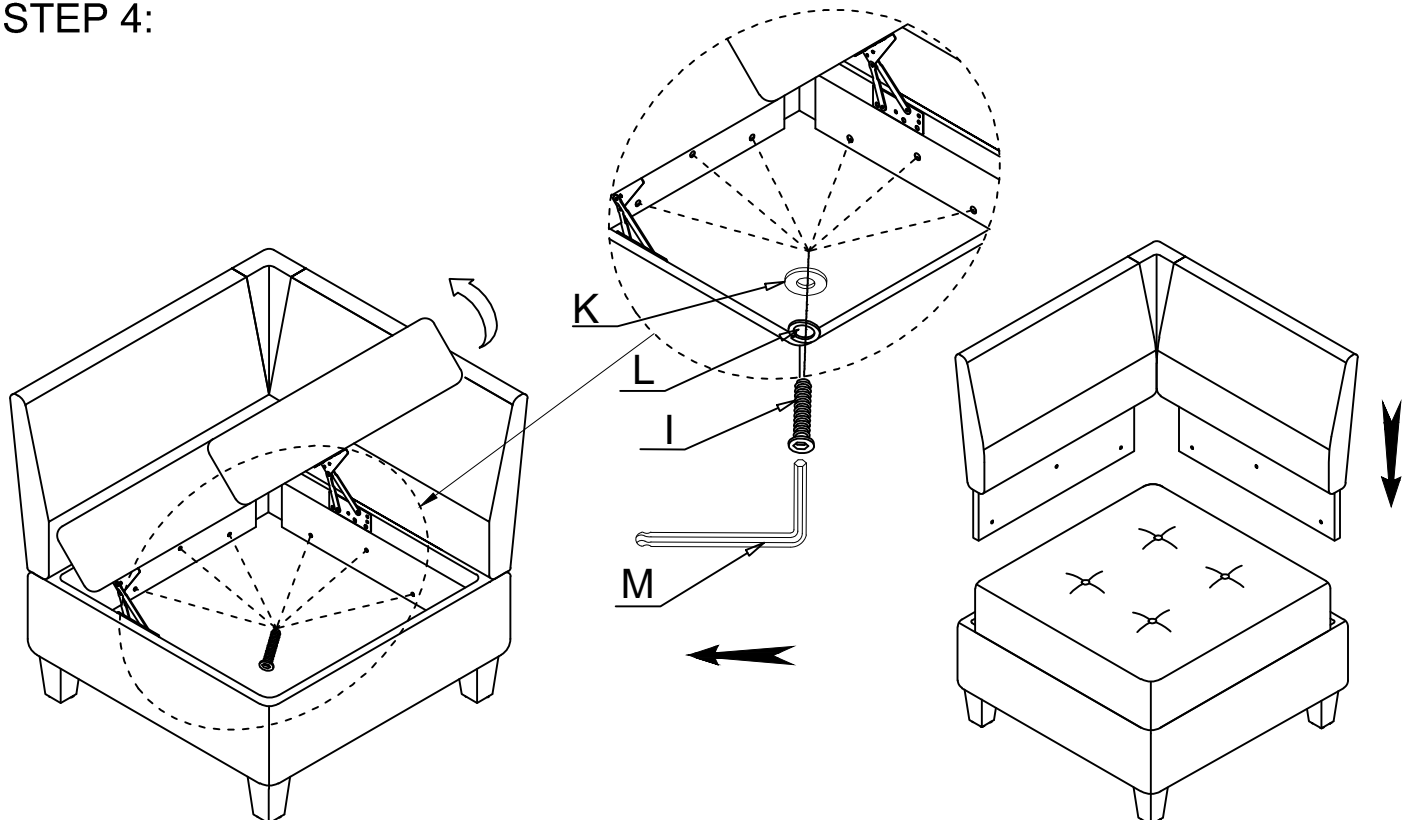
STEP 2:



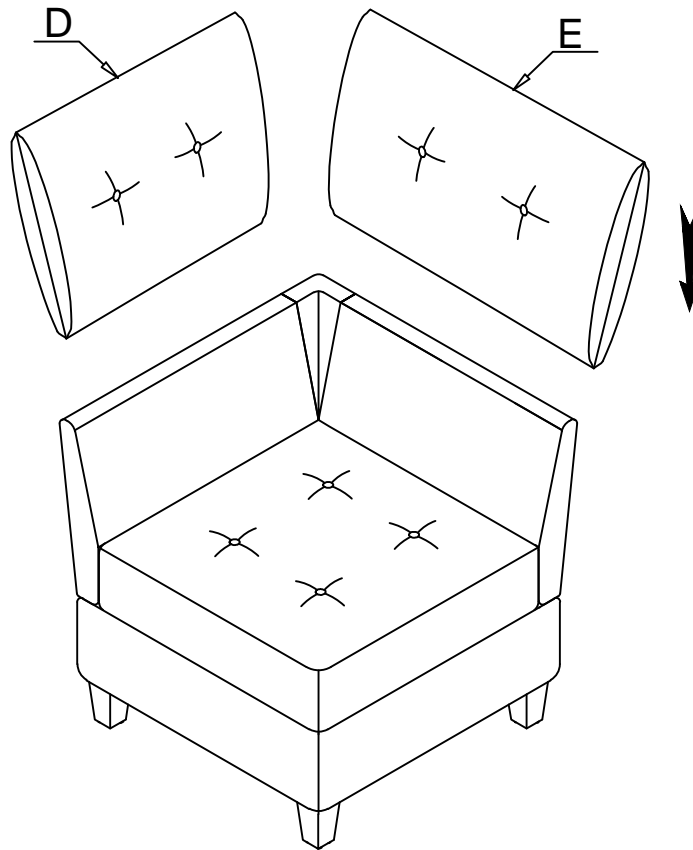
STEP 3:



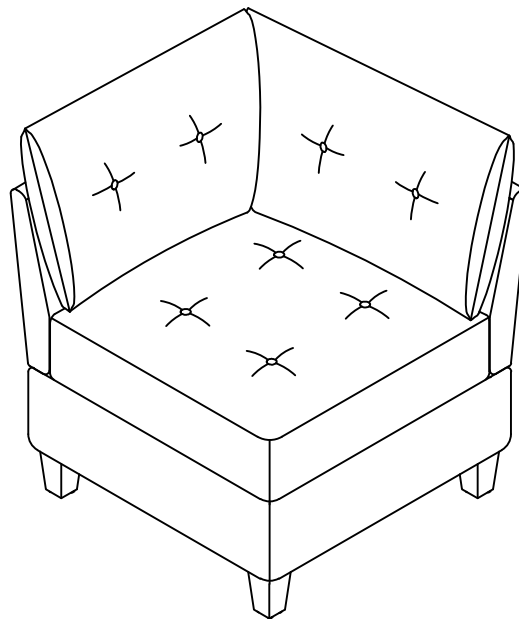
STEP 4:



STEP 5:



STEP 6:



CARE INSTRUCTION FOR FABRIC FURNITURE





In order to maintain the original appearance of your fabric furniture, please follow below simple care procedures.

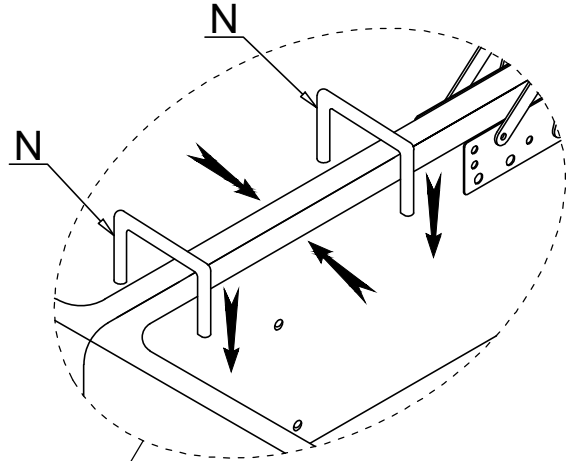
°Avoid exposing furniture directly to sunlight or heating and air conditioning outlets. Exposure to sunlight or heating and air conditioning outlets will fade/damage fabric.

°Wipe gently with a damp soft cloth to remove dust, dirt and any grime build up.

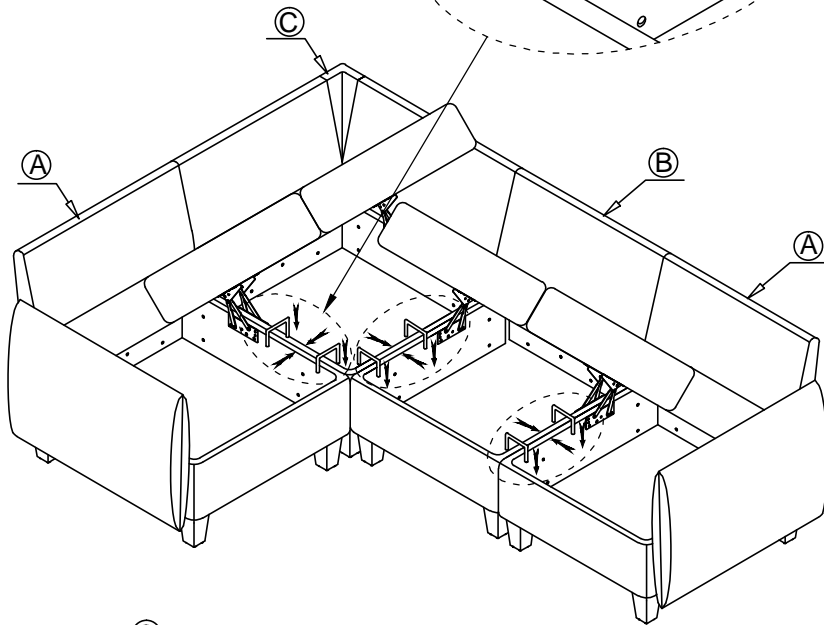
ASSEMBLY INSTRUCTION

CORNER SEAT WITH STORAGE

NO.	PARTS LIST	QTY	DESCRIPTION
A		1	Chair With One Arm & Storage
B		1	Armless Chair With Storage
C		1	Corner Seat With Storage
D		1	Ottoman With Storage



STEP 7:



STEP 8:

