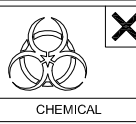
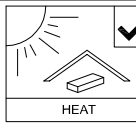




SOFT, DRY CLOTH



CHEMICAL



HEAT



KEEP DRY



HANDLE WITH CARE

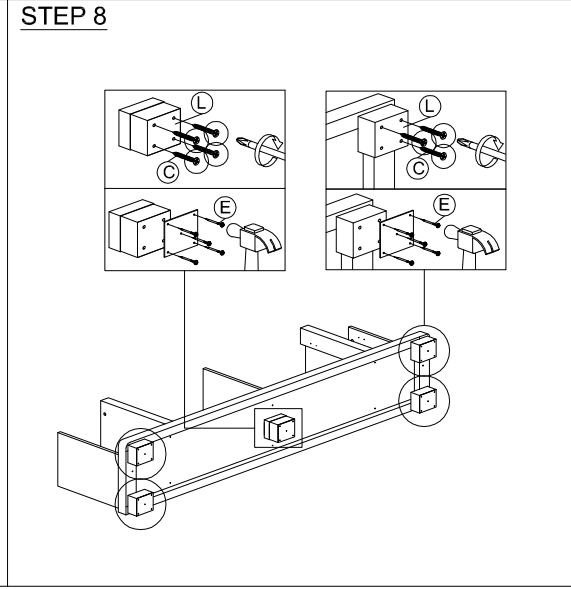
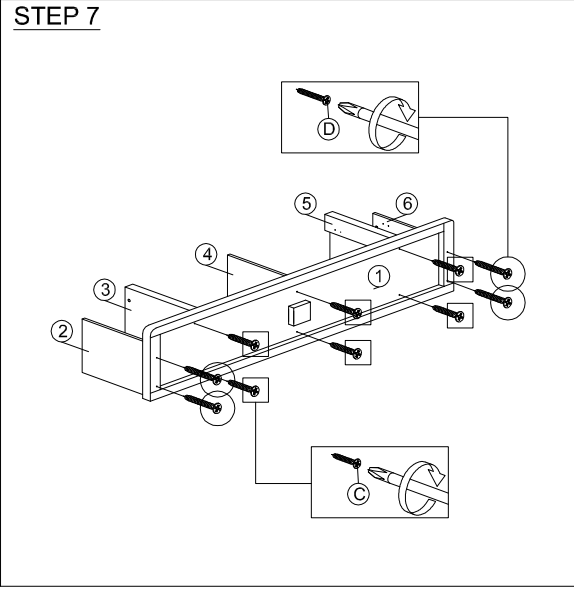
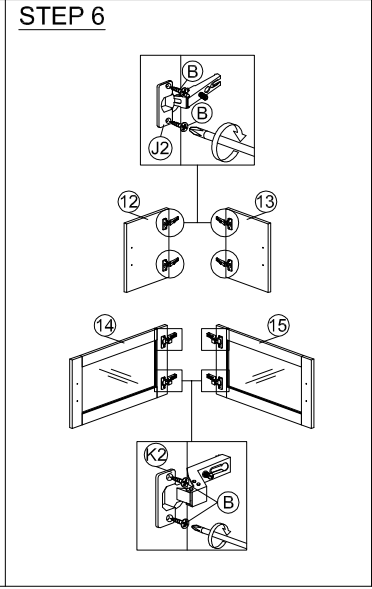
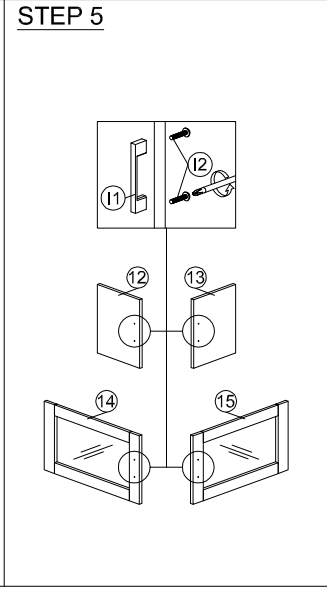
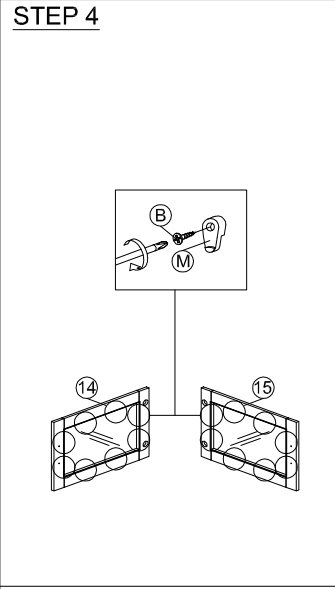
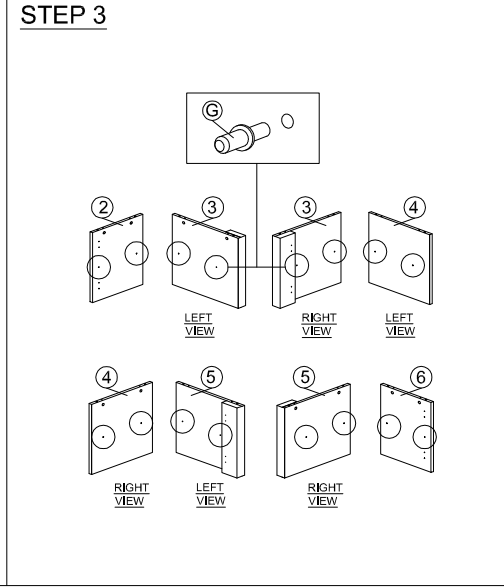
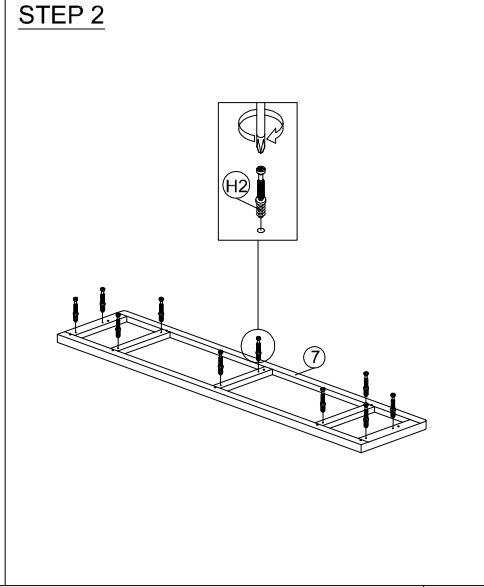
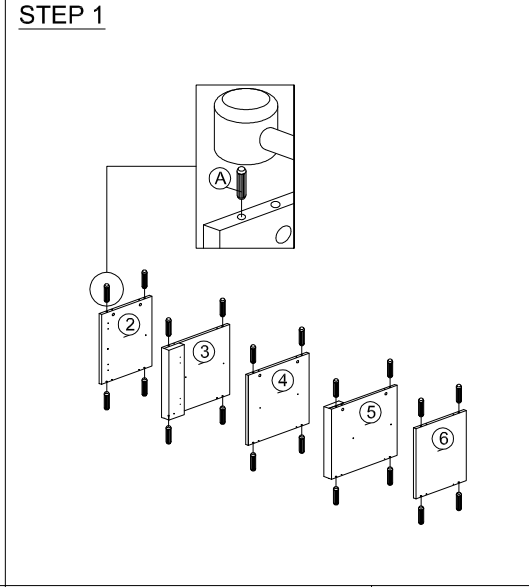
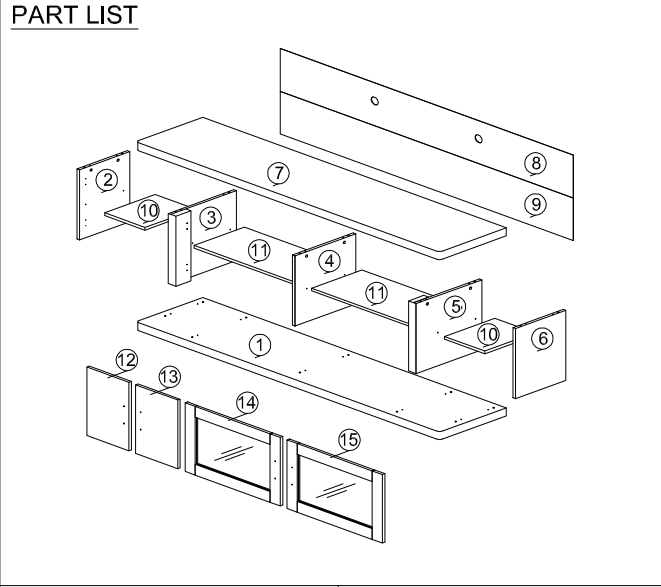


DO NOT USE KNIFE

ASSEMBLY INSTRUCTION

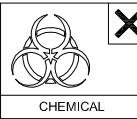
DESCRIPTION : TV CABINET

HARDWARE	A	B	C	D	E	F	G	H	I	J	K	L	M
	WOOD DOWEL 8 X 25 1X20	CB SCREW M3.5X16MM 1X48	CB SCREW M4X38MM 1X22	CB SCREW M4X65MM 1X4	NAIL 5/8 1X41	L KEY 1X1	METAL SHELF SUPPORT 1X16	MINIFIX 5654+5546 10 SETS	QUICKFIT CAP 1X4	HANDLE 525 -96MM (METAL) 1X4	HANDLE SCREW M4X19M 1X8	WOOD LEG 98X98X45MM 1X5	MIRROR BRACKET 1X16

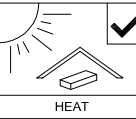




SOFT, DRY CLOTH



CHEMICAL



HEAT



KEEP DRY



HANDLE WITH CARE

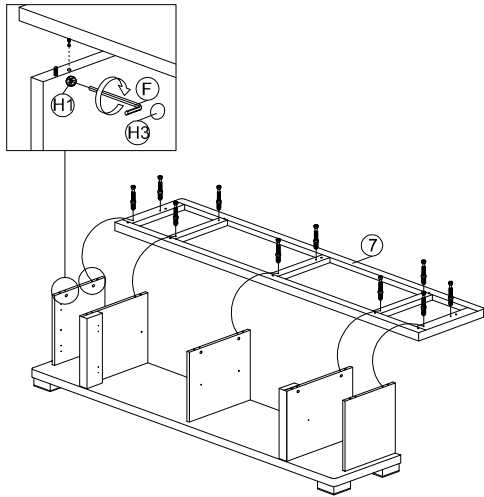


DO NOT USE KNIFE

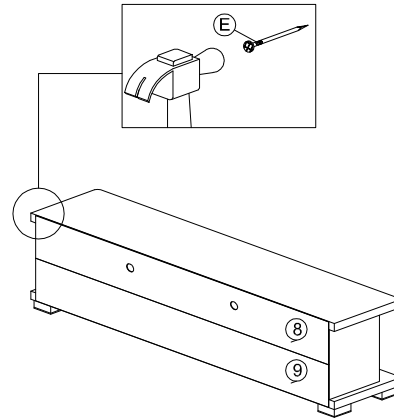
ASSEMBLY INSTRUCTION

DESCRIPTION : TV CABINET

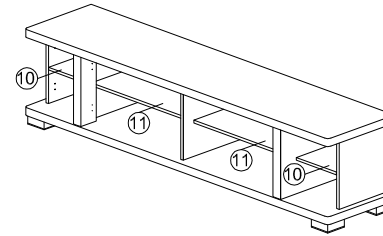
STEP 9



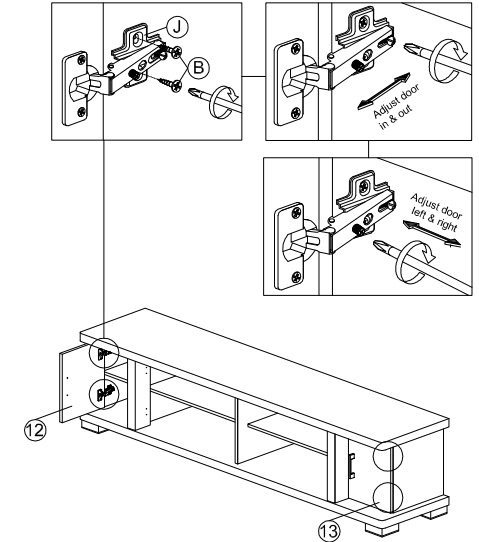
STEP 10



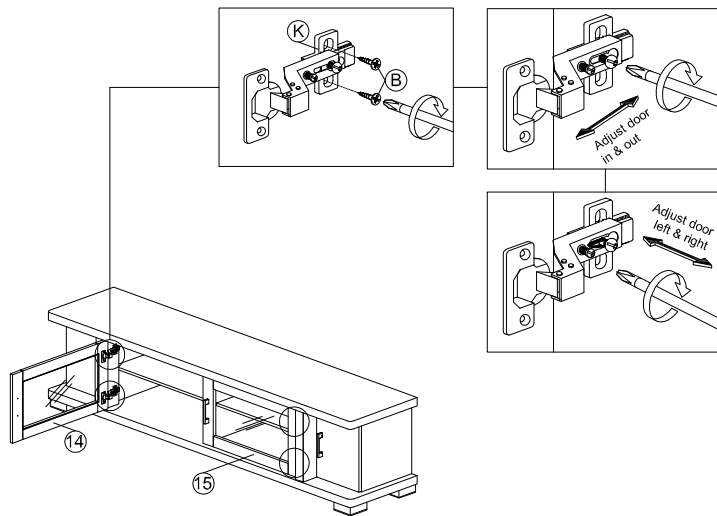
STEP 11



STEP 12



STEP 13



COMPLETED

