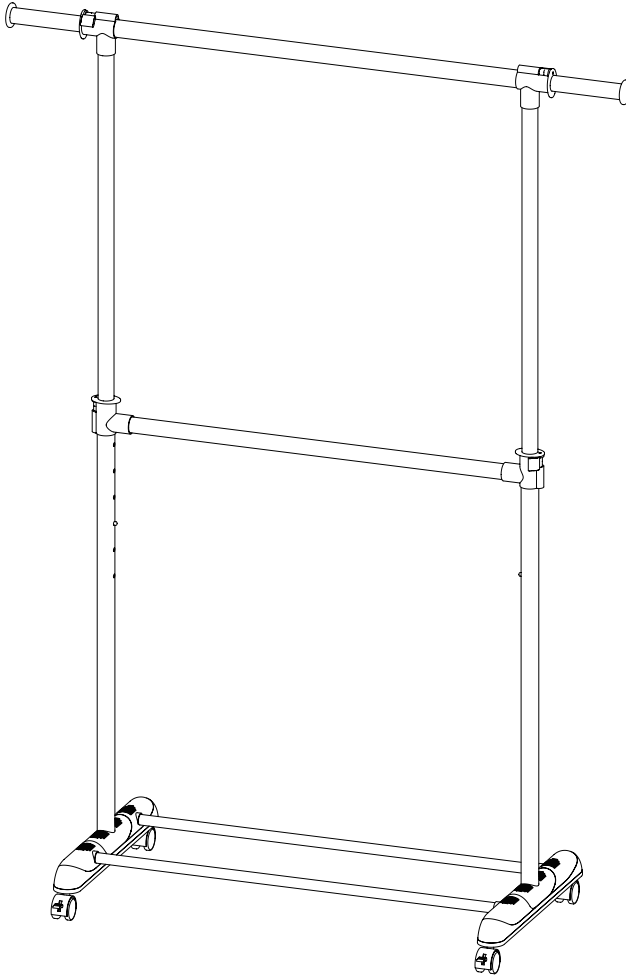




honey•can•do

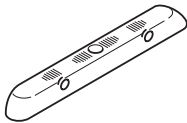

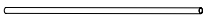
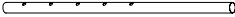

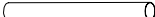





**garment rack**  
**colgador para ropa**  
**barre à vêtements**

GAR-01767  
GAR-09375



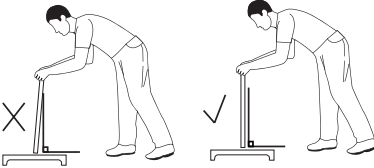
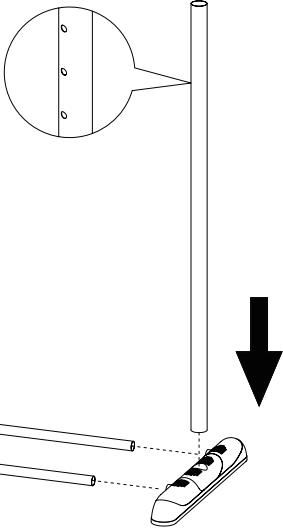
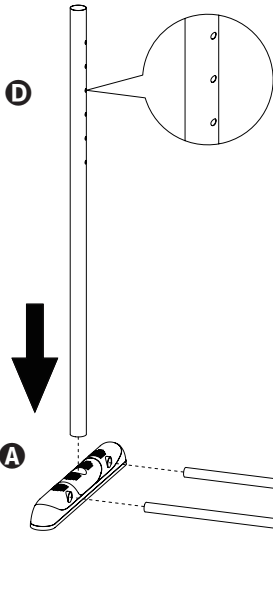
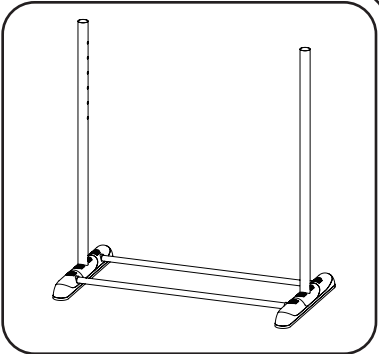
**36.2-60 in L x 17.1 in W x 62.2-73 in H**  
**92-152.4 cm L x 43.5 cm W x 158-185.4 cm H)**

# PARTS LIST

| PART/ILLUSTRATION  | (QTY) | DESCRIPTION   |
|--|-------|---|
| <b>A</b>                                      | (2)   | base<br>el pie<br>le pied   |
| <b>B</b> <br>87 cm x $\varnothing$ 3.175 cm   | (1)   | upper hanging bar<br>barra de colgar superior<br>barre de suspension supérieure |
| <b>C</b> <br>84.9 cm x $\varnothing$ 1.905 cm | (2)   | lower horizontal<br>horizontal inferior<br>horizontale inférieure               |
| <b>D</b> <br>89 cm x $\varnothing$ 3.175 cm   | (2)   | lower uprights<br>montantes inferiores<br>montants inférieurs                   |
| <b>E</b> <br>94 cm x $\varnothing$ 2.858 cm   | (2)   | upper uprights<br>montantes superiores<br>montants supérieurs                   |
| <b>F</b> <br>35 cm x $\varnothing$ 2.858 cm   | (2)   | upper extenders<br>extensores superiores<br>rallonges supérieures               |
| <b>G</b> <br>78 cm x $\varnothing$ 2.858 cm   | (1)   | lower hanging bar<br>inferior barra de colgar<br>barre de suspension inférieure |
| <b>H</b>                                    | (2)   | casters<br>ruedas<br>roulettes  |
| <b>I</b>                                    | (2)   | locking casters<br>ruedas de bloqueo<br>roulettes à blocage                     |
| <b>J</b>                                    | (4)   | locking L-connectors<br>bloqueo L-conectores<br>blocage L-connecteurs           |
| <b>K</b>                                    | (2)   | end caps<br>tapas de los extremos<br>embouts                                    |

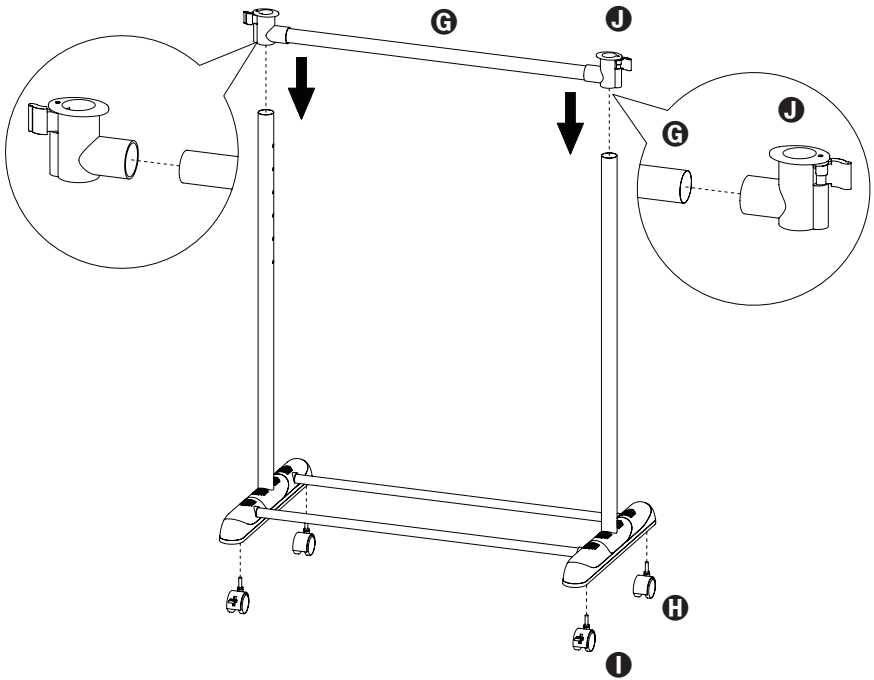
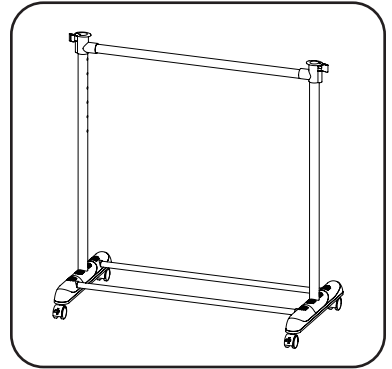
# ASSEMBLY

1



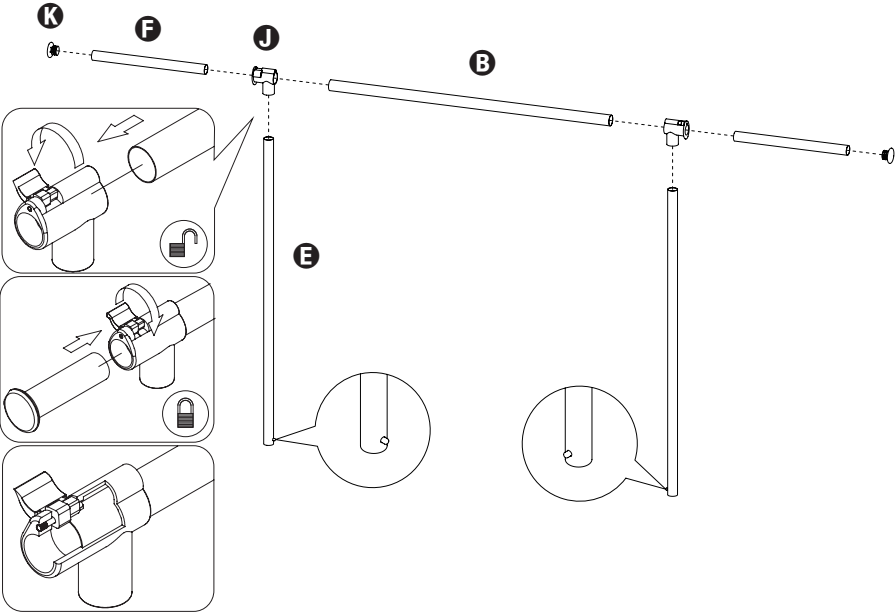
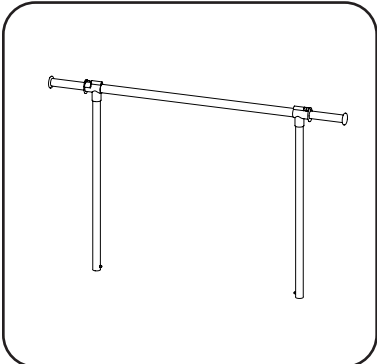
# ASSEMBLY

2



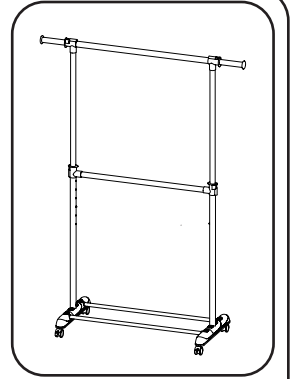
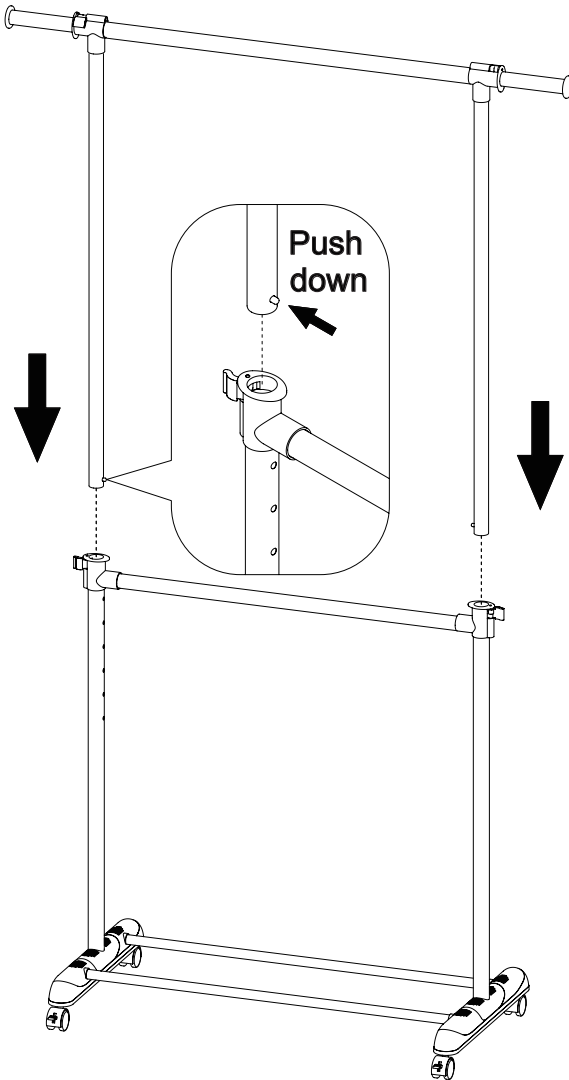
# ASSEMBLY

3



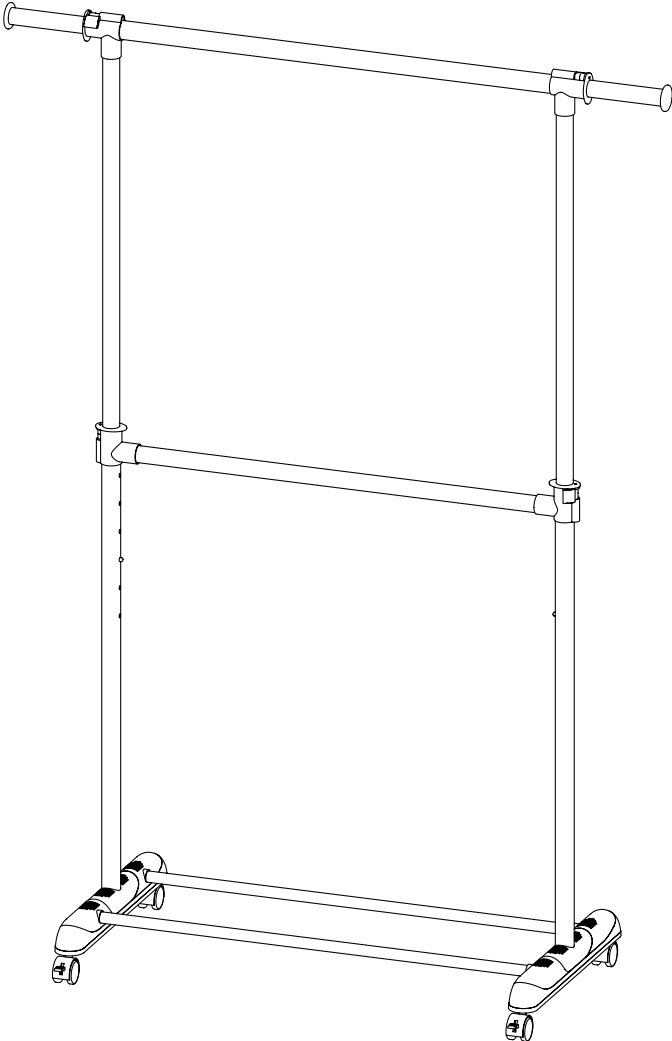
# ASSEMBLY

4



# ASSEMBLY

5





honey•can•do

**Honey-Can-Do International**

5300 St. Charles Road, Berkeley, IL 60163 USA  
877.242.2636 | [honeycando.com](http://honeycando.com) | [support@honeycando.com](mailto:support@honeycando.com)  
©2021 Honey-Can-Do International, LLC | All Rights Reserved

Visit [youtube.com/myhoneycando](https://www.youtube.com/myhoneycando) to watch our assembly videos.