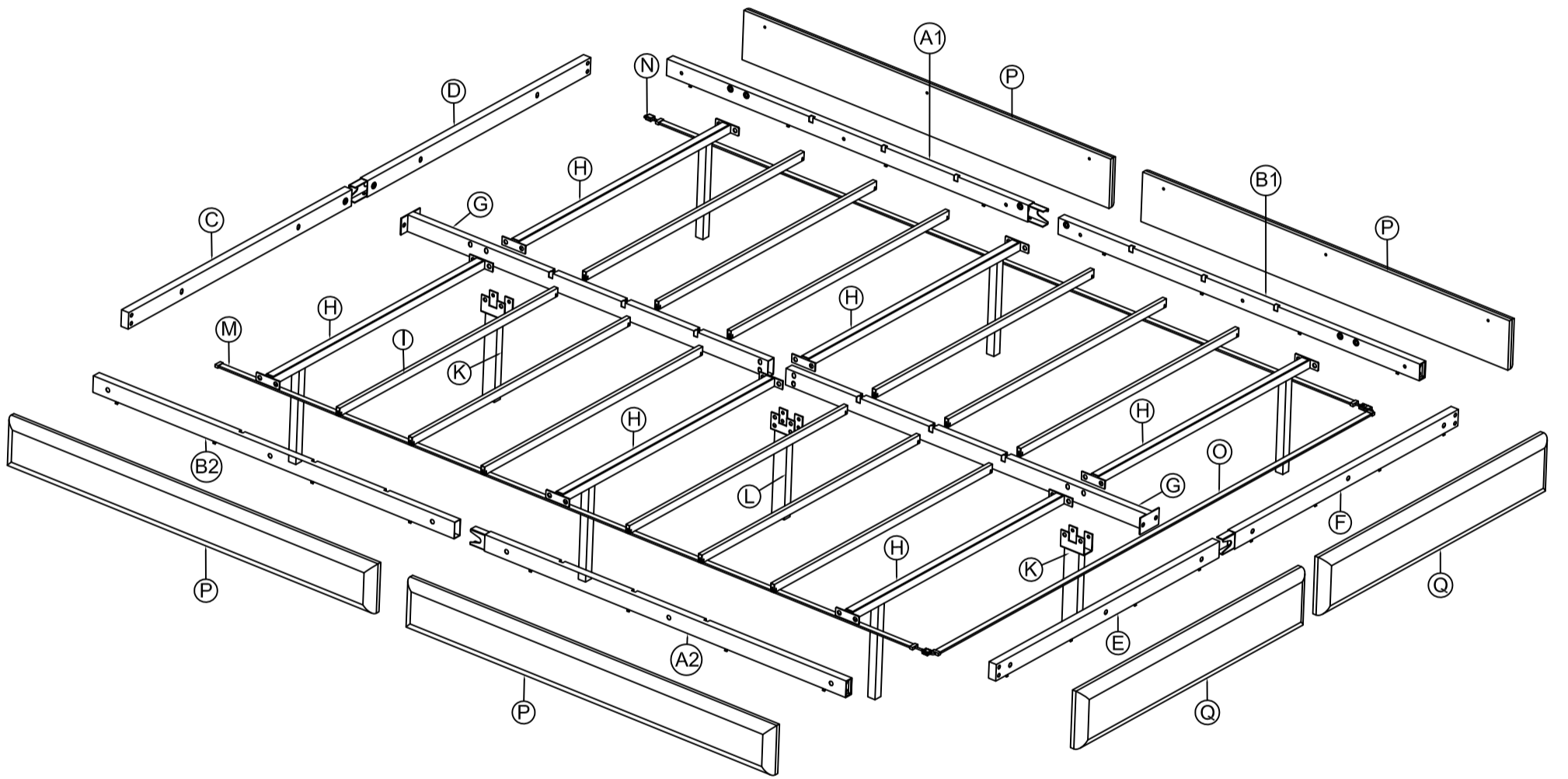
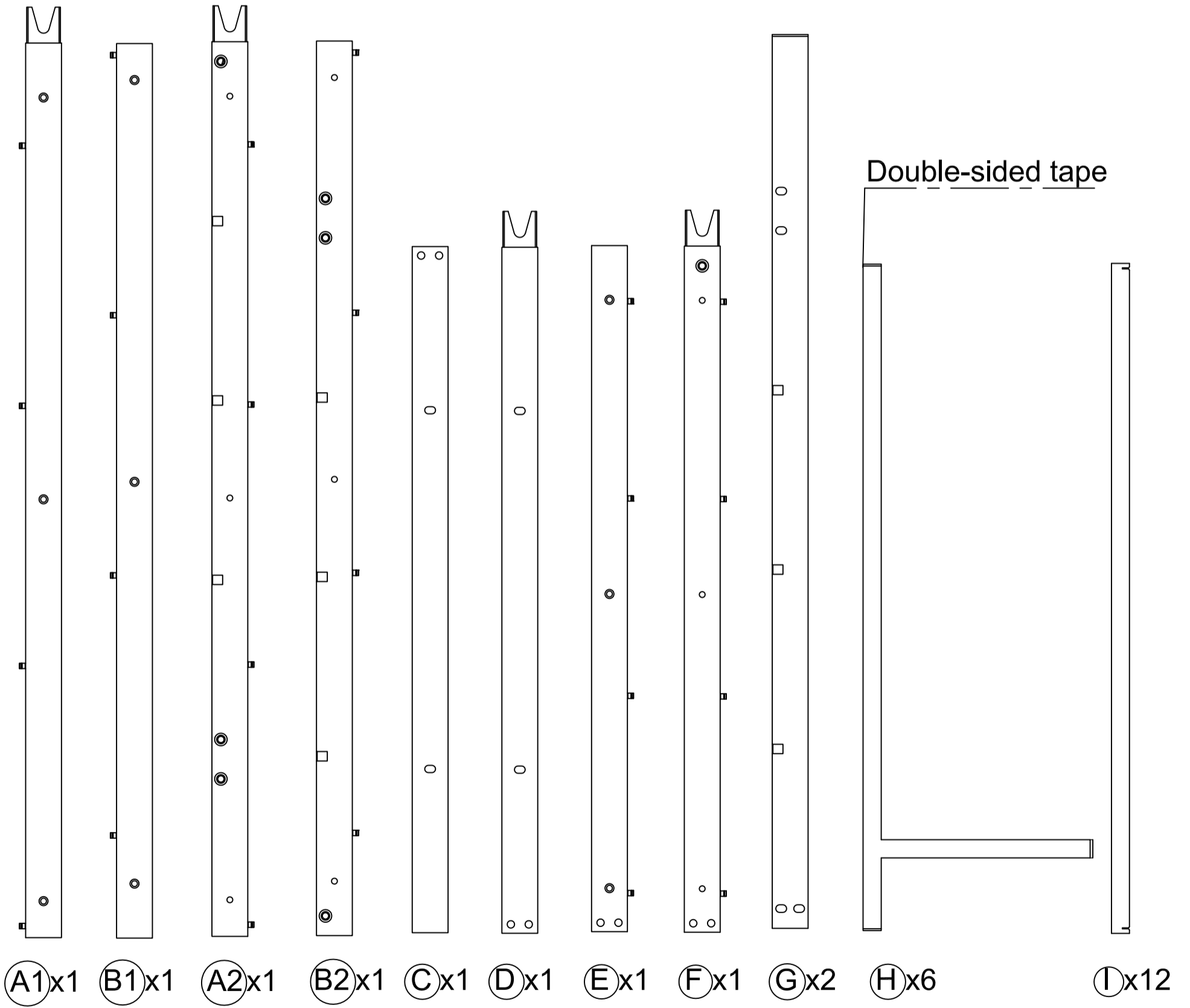


Model:C236-KB-FH

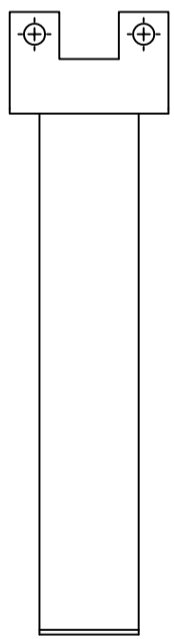
PRODUCT GUIDE AND INSTALLATION MANUAL



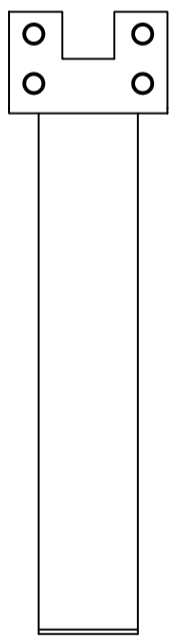
Parts List:



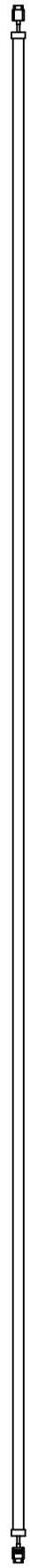
Parts List:



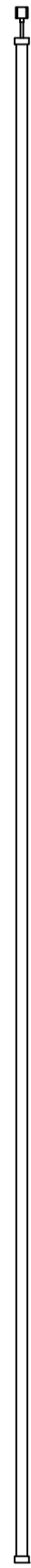
(K)x2



(L)x1



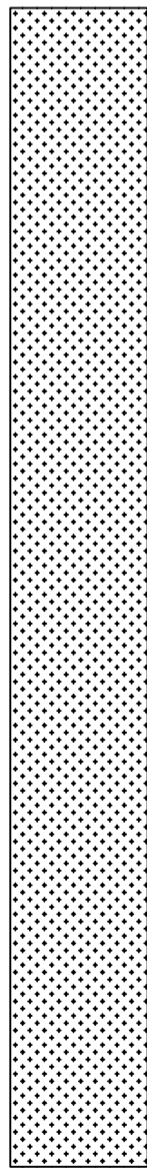
(M)x1



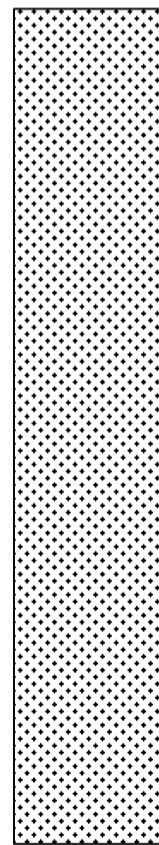
(N)x1



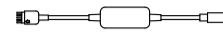
(O)x1



(P)x4



(Q)x2



(U)x1



M4x10mm
(V)x2



(U2)x1



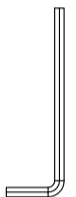
M6x35mm
(T1)x18



M8x15mm
(Y1)x16



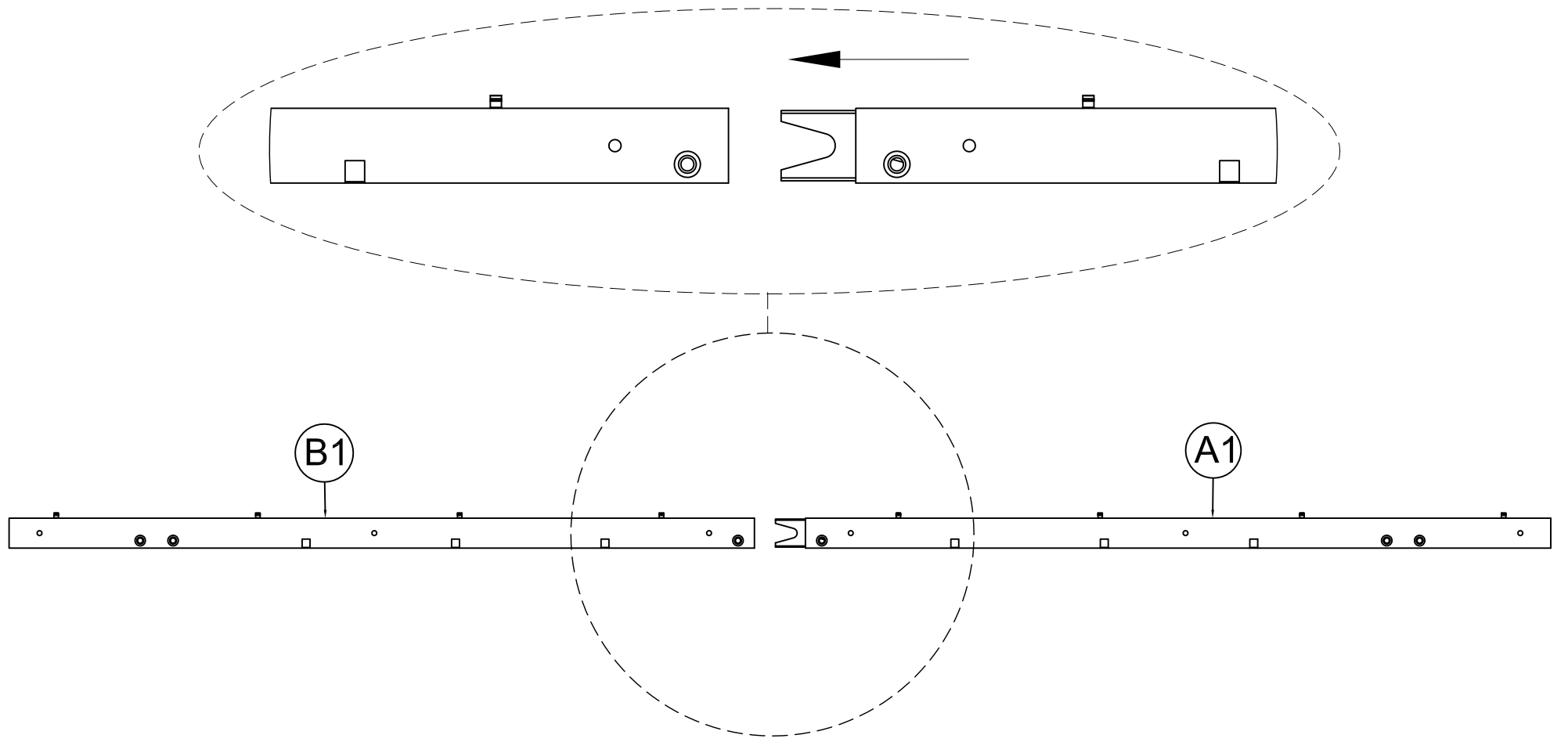
M8x35mm
(Y2)x16



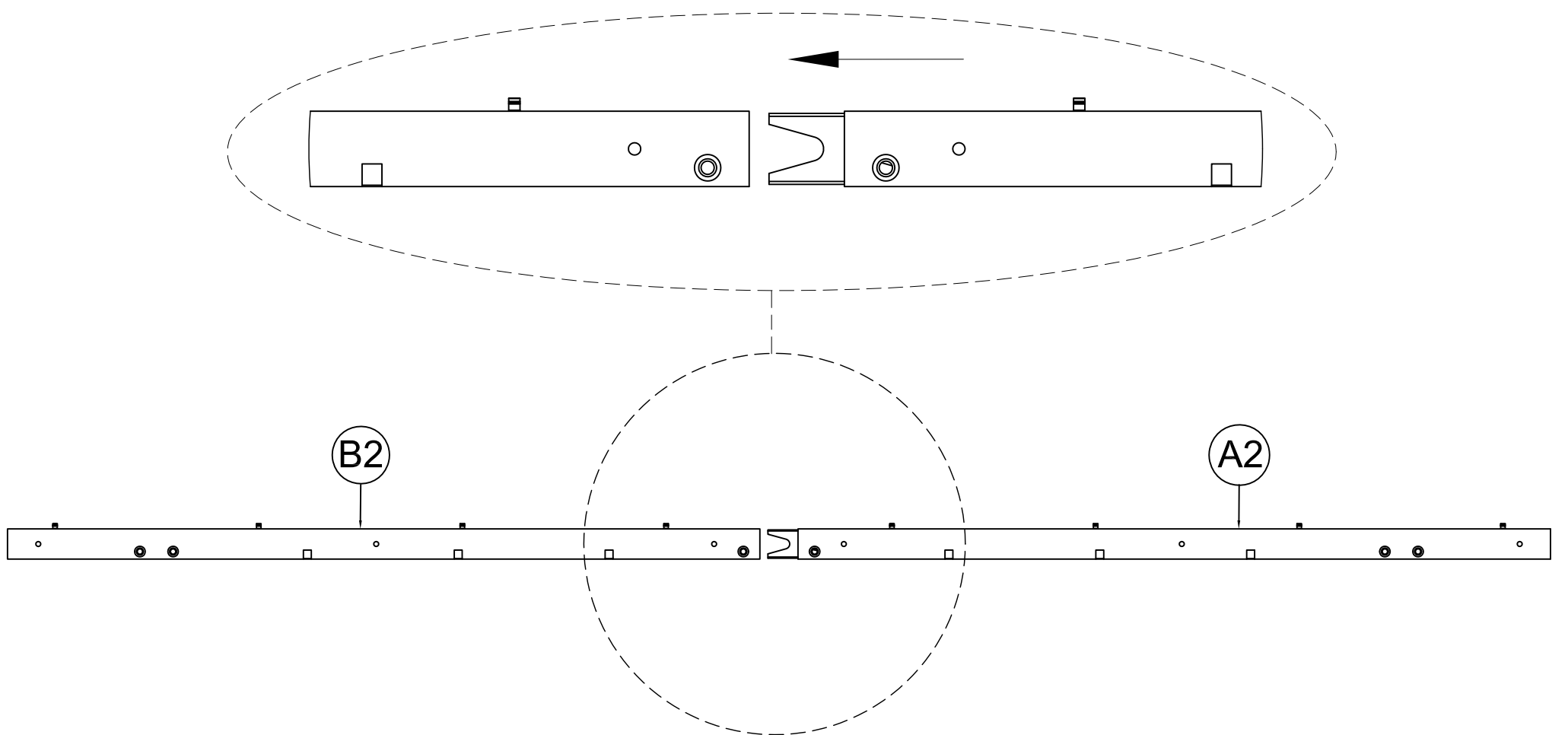
(W)x1

M-N-O (Lamp string)

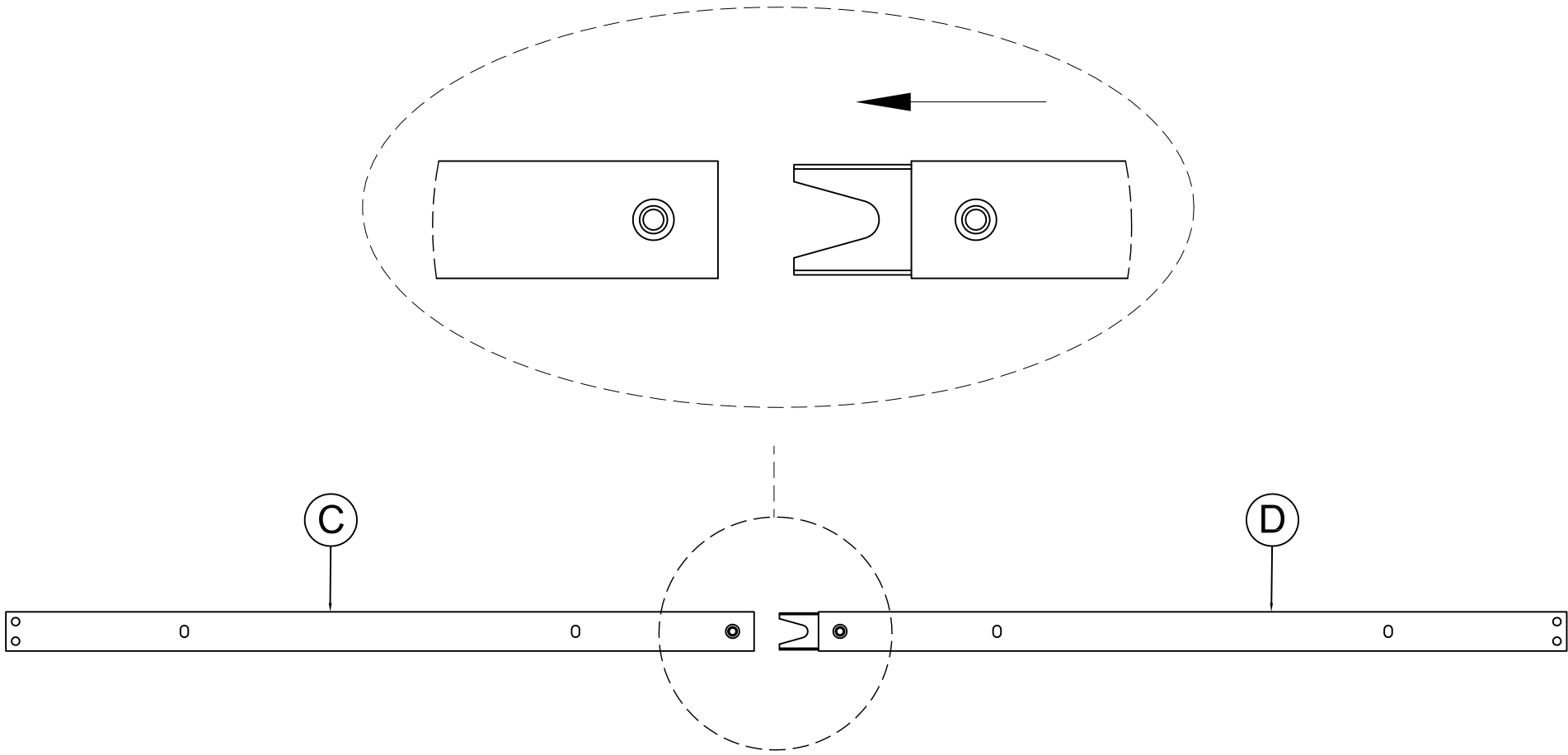
Step 1



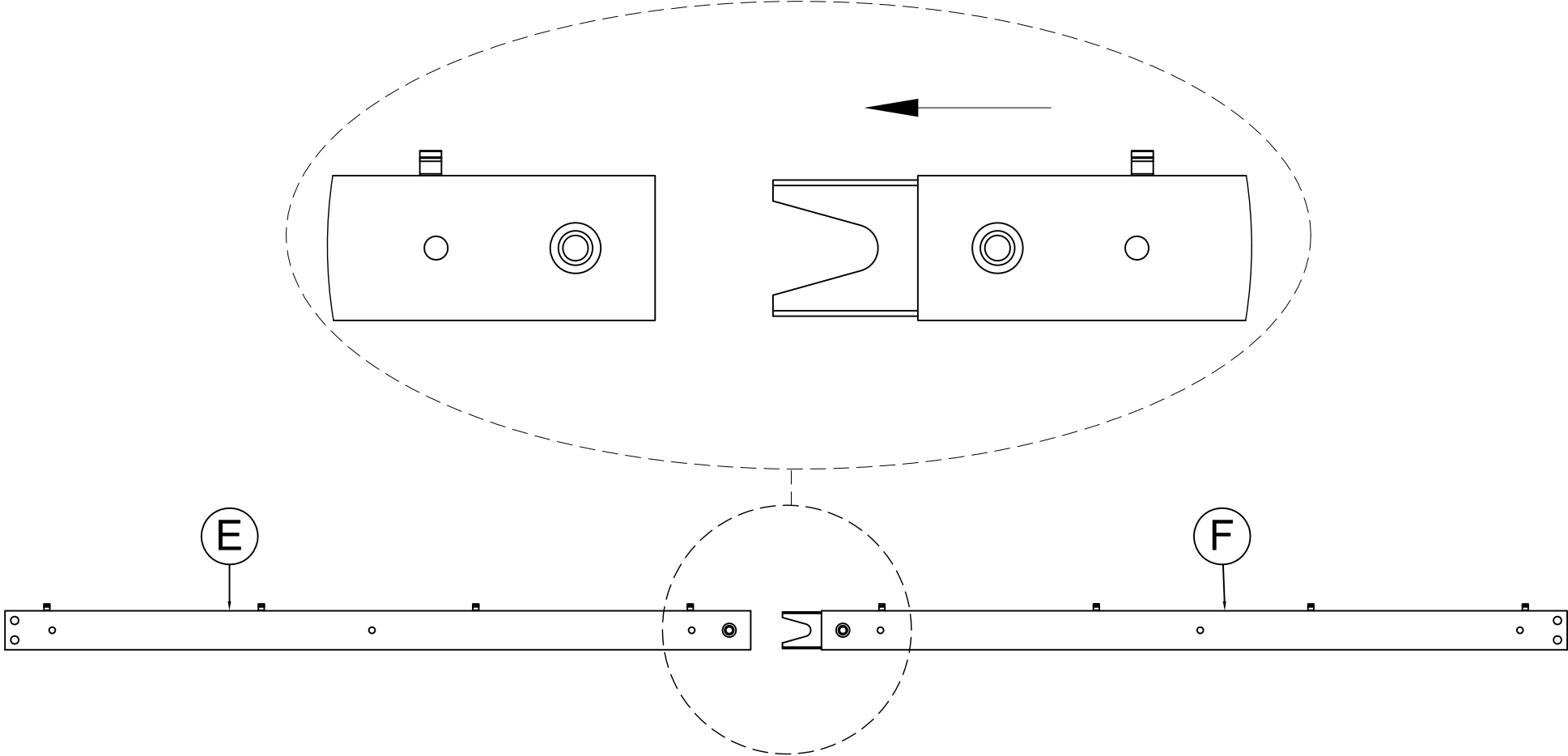
Step 2



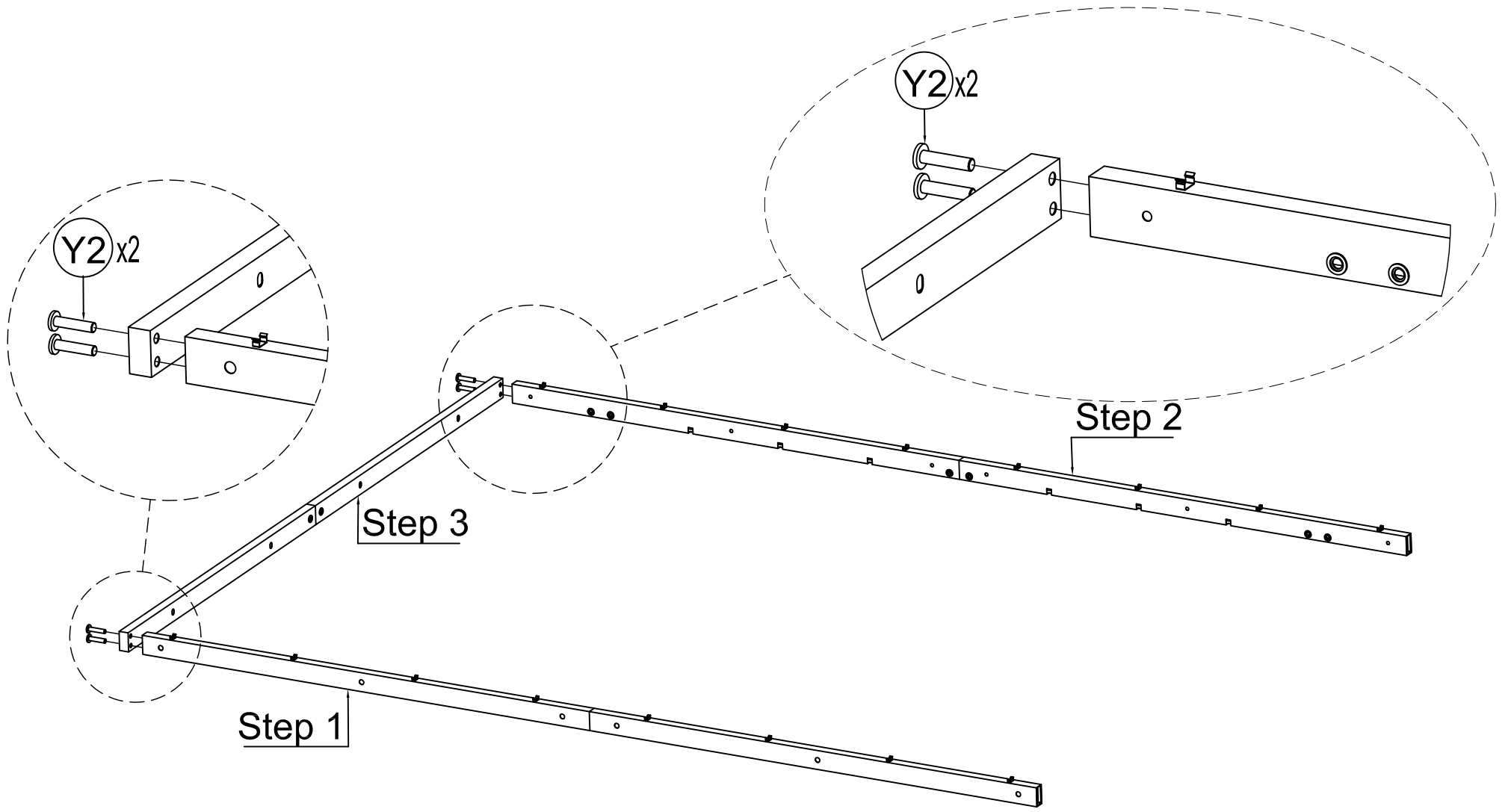
Step 3



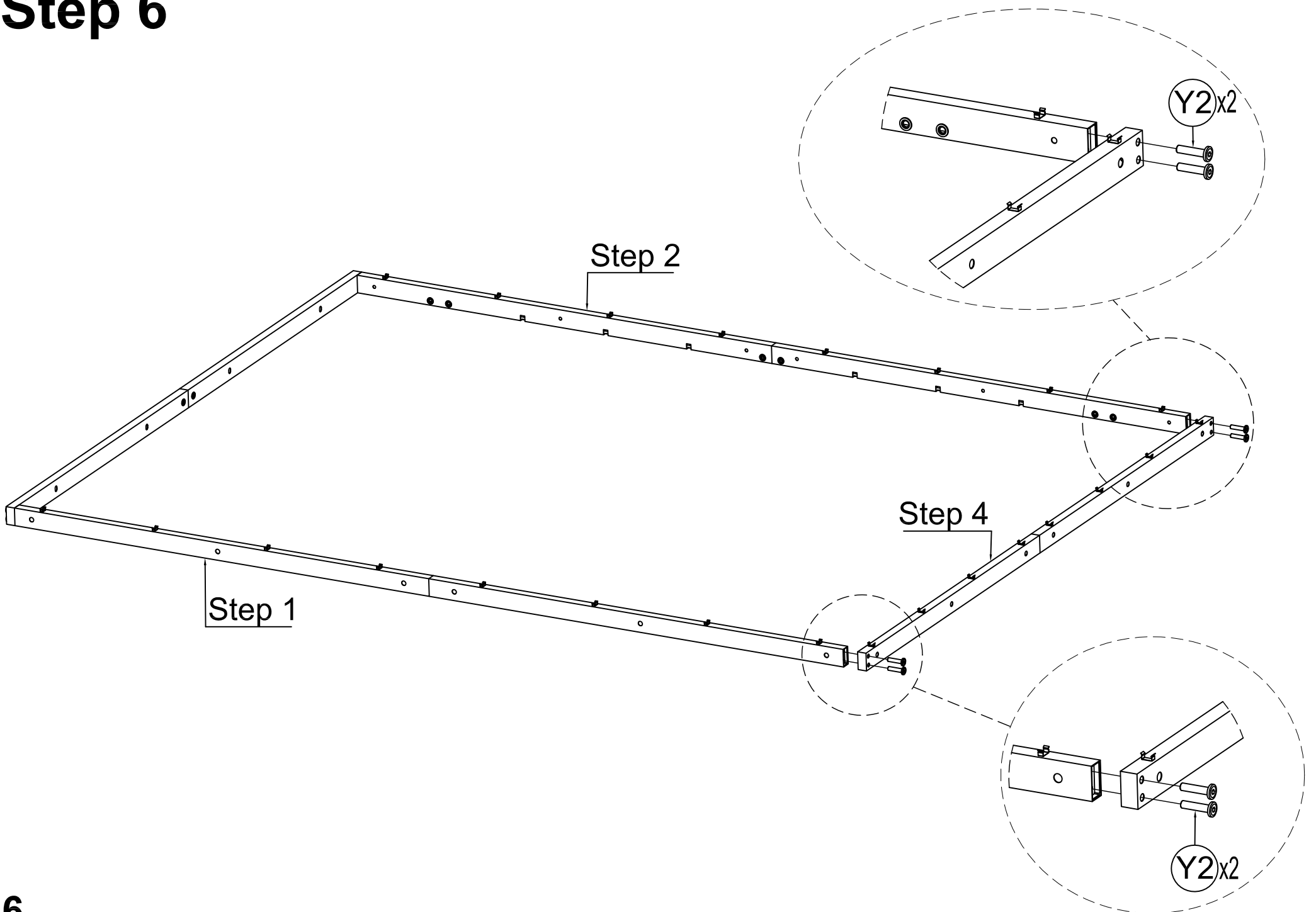
Step 4



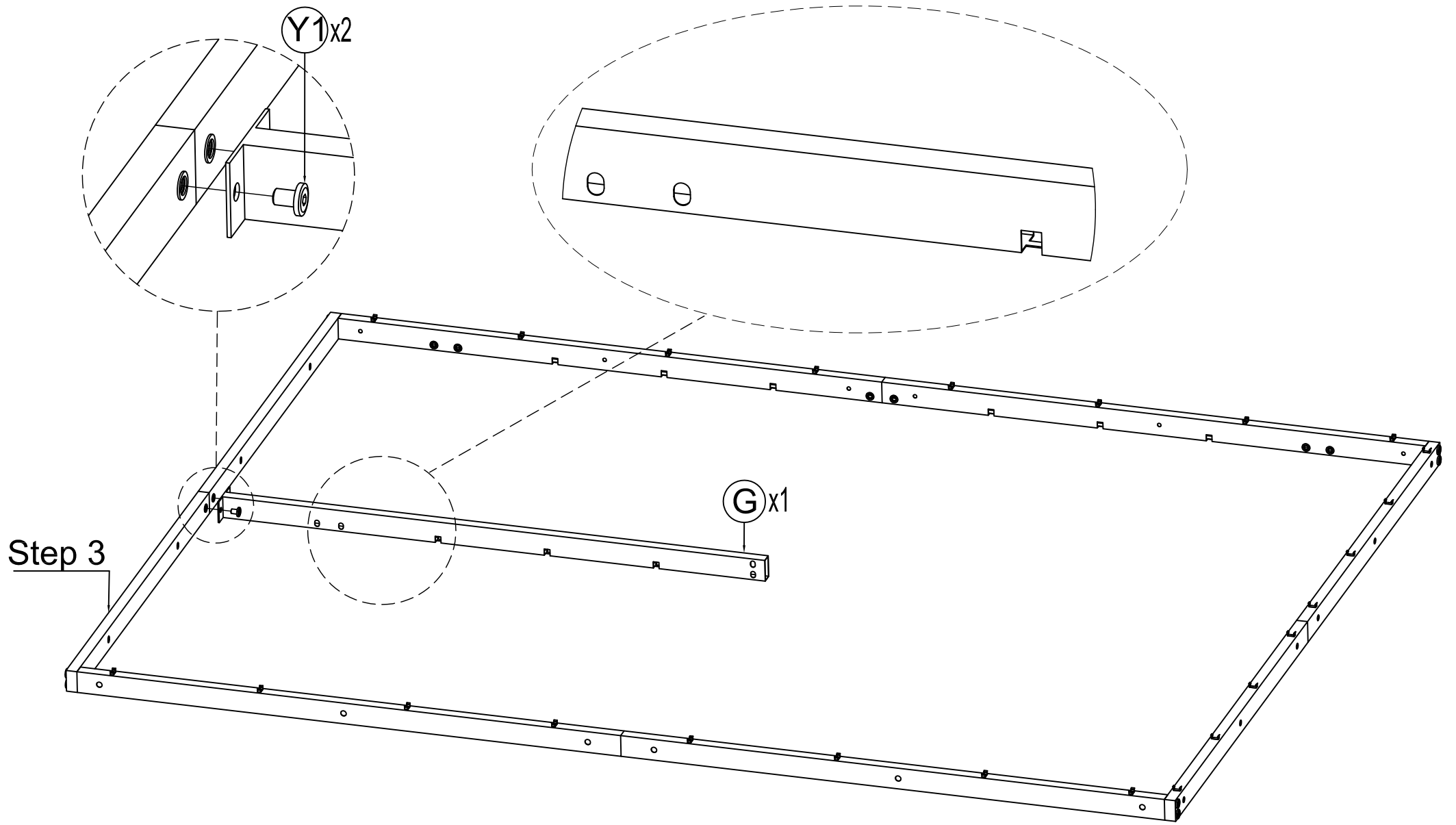
Step 5



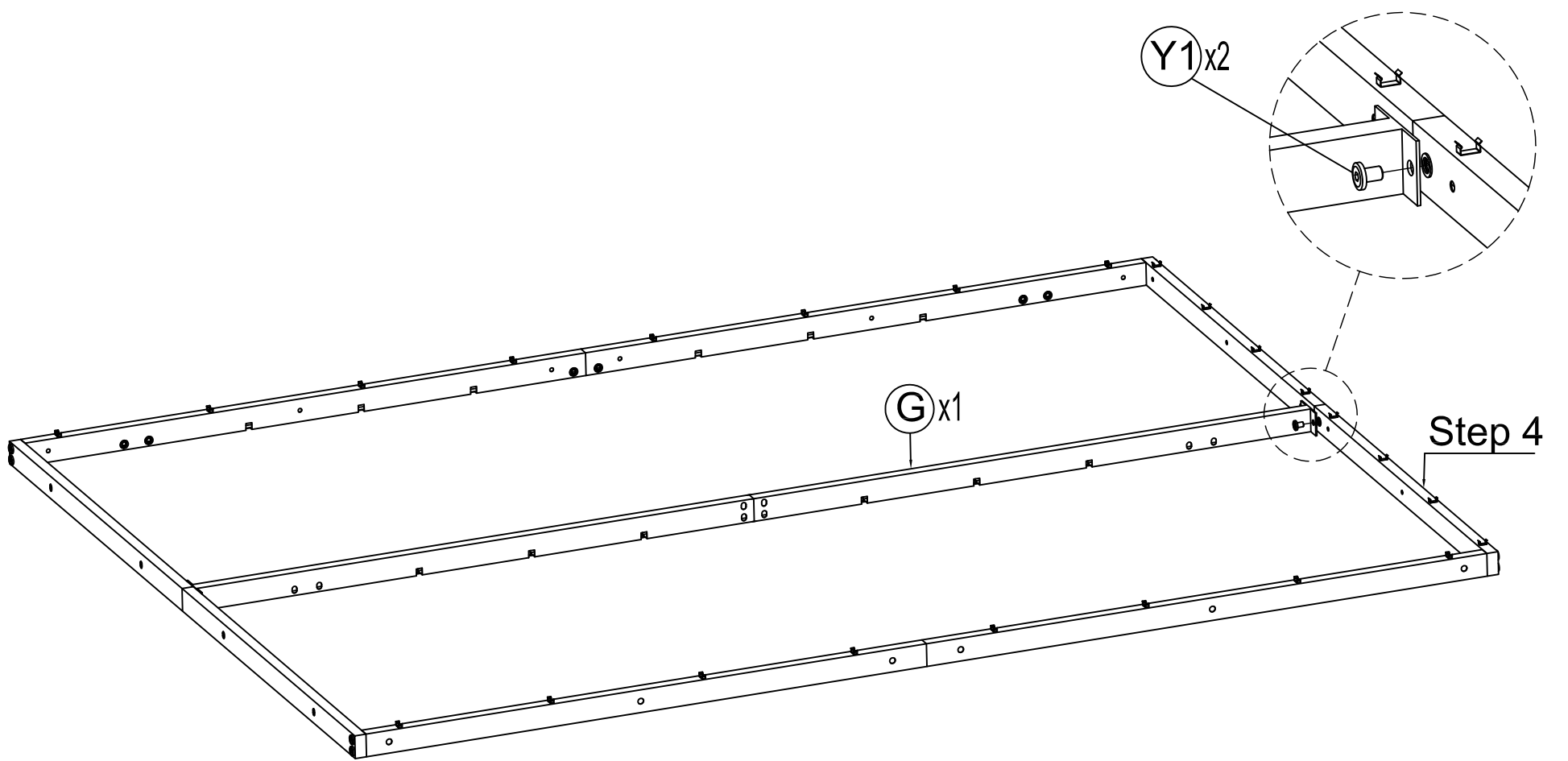
Step 6



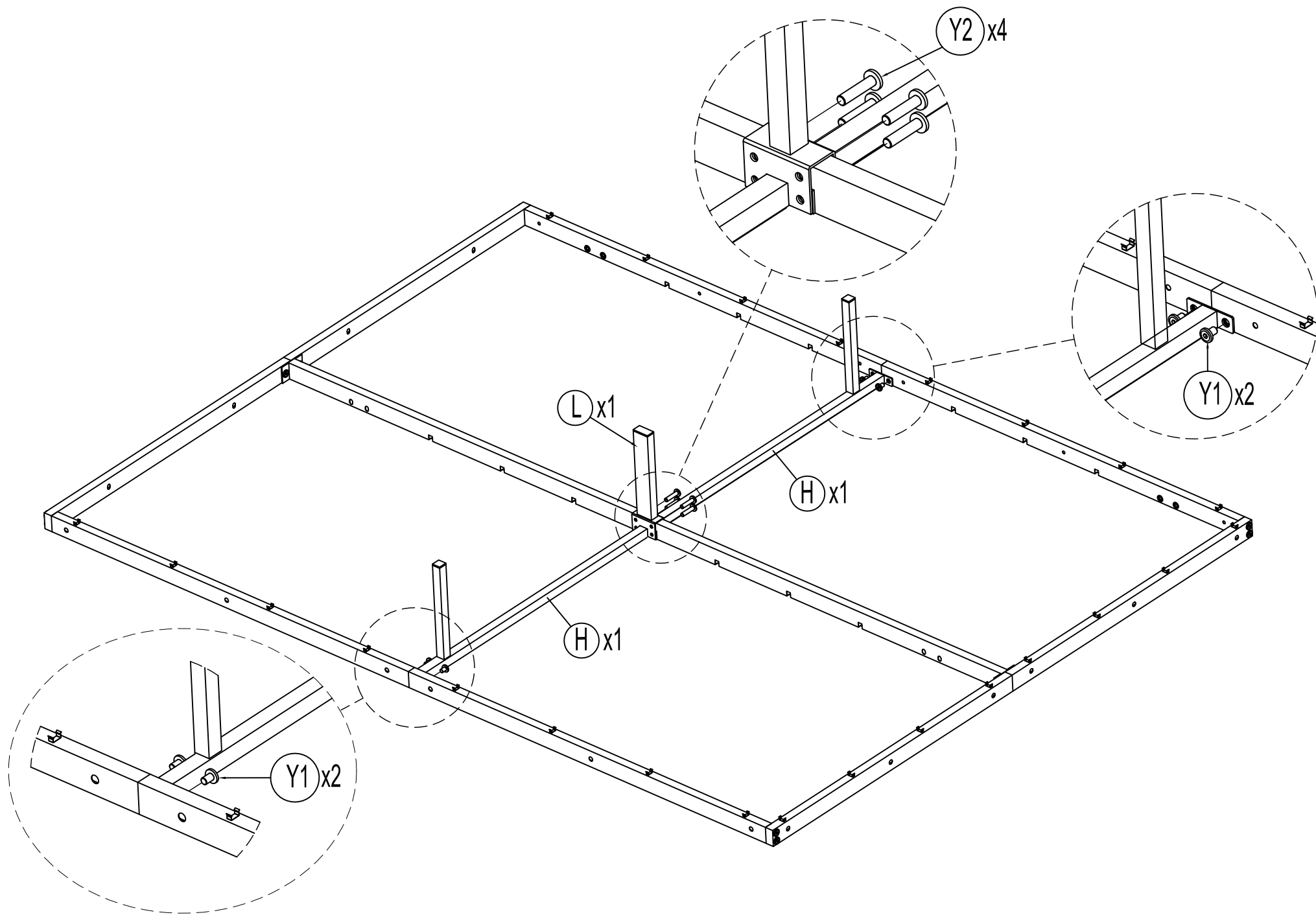
Step 7



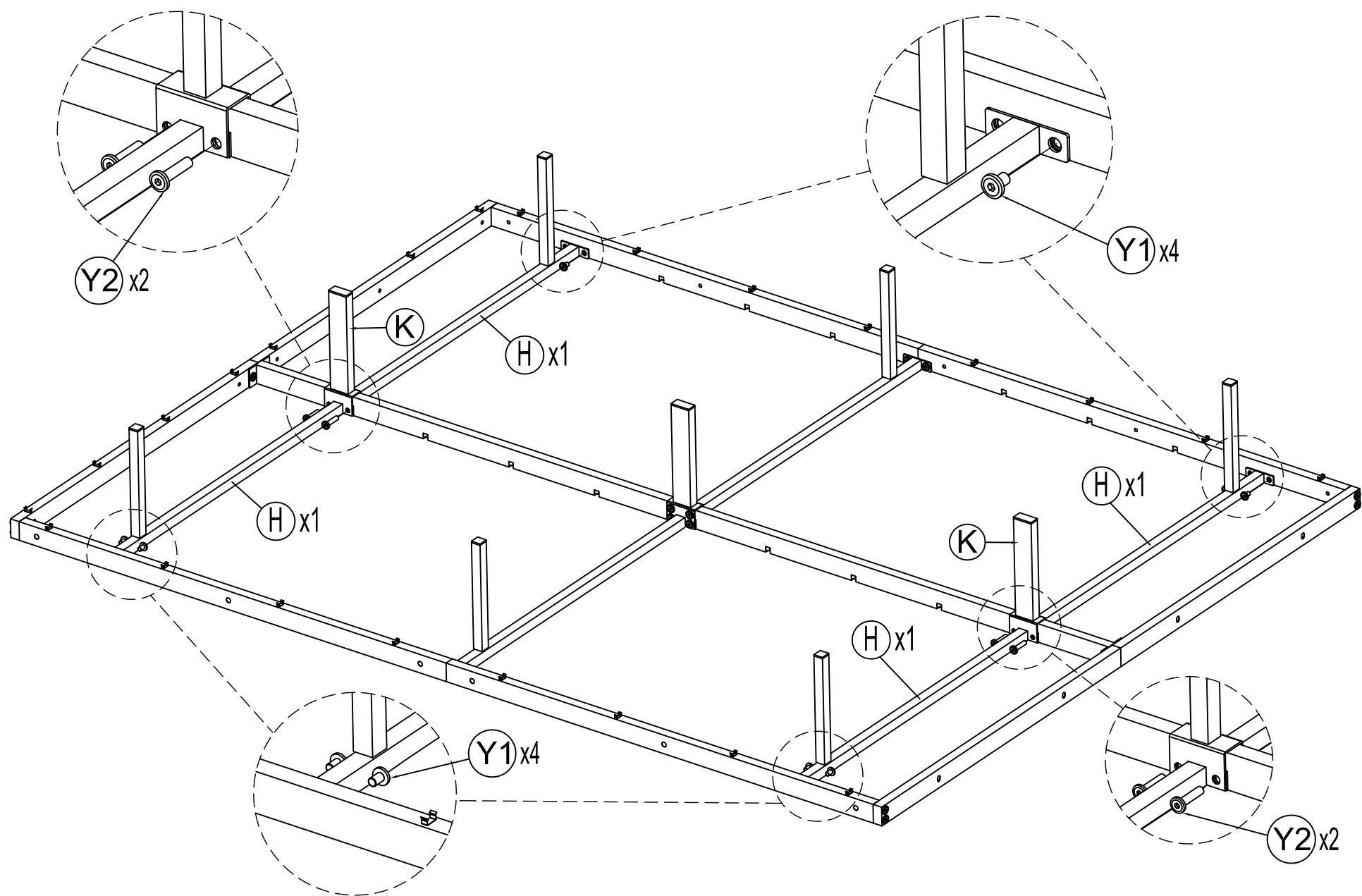
Step 8



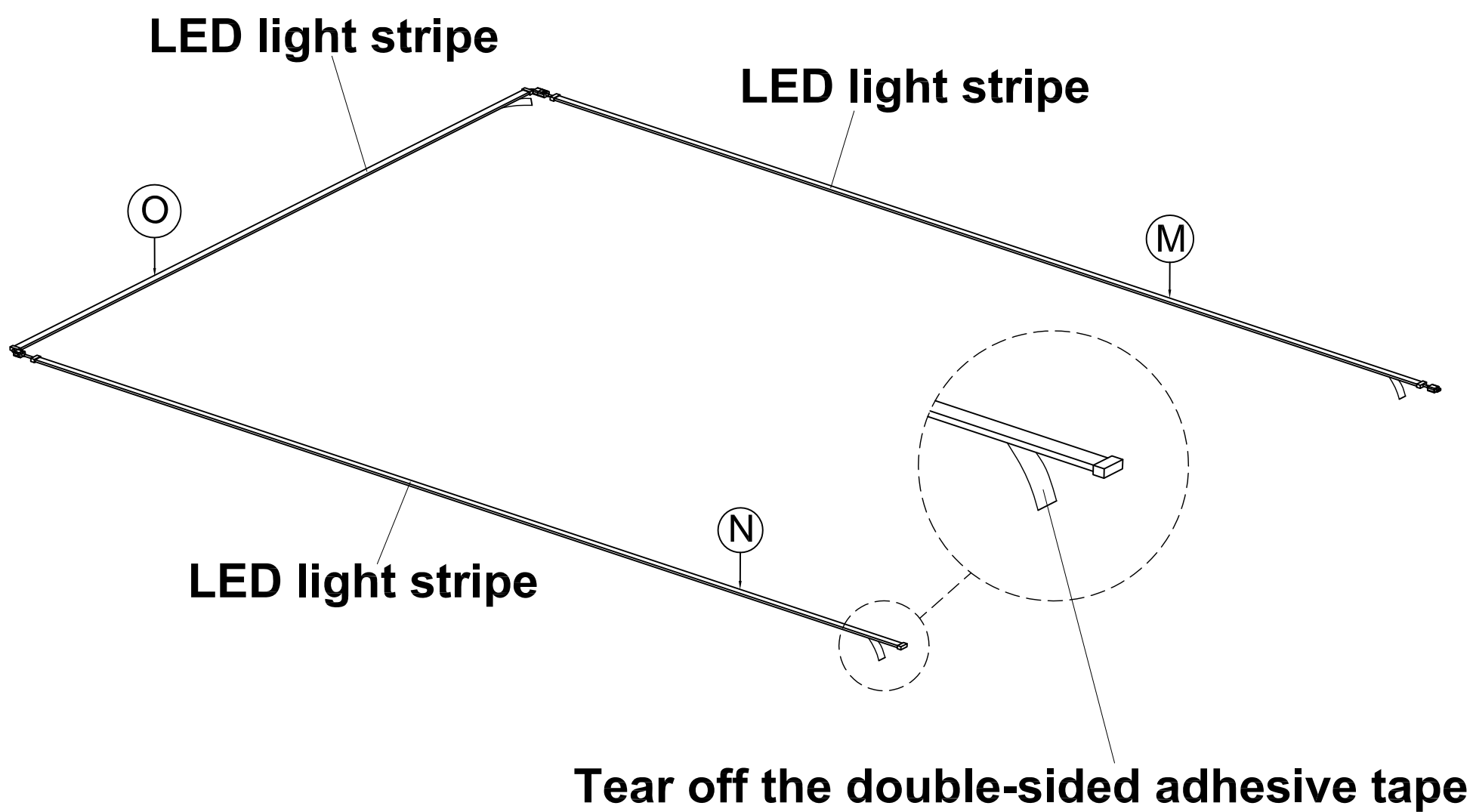
Step 9



Step 10

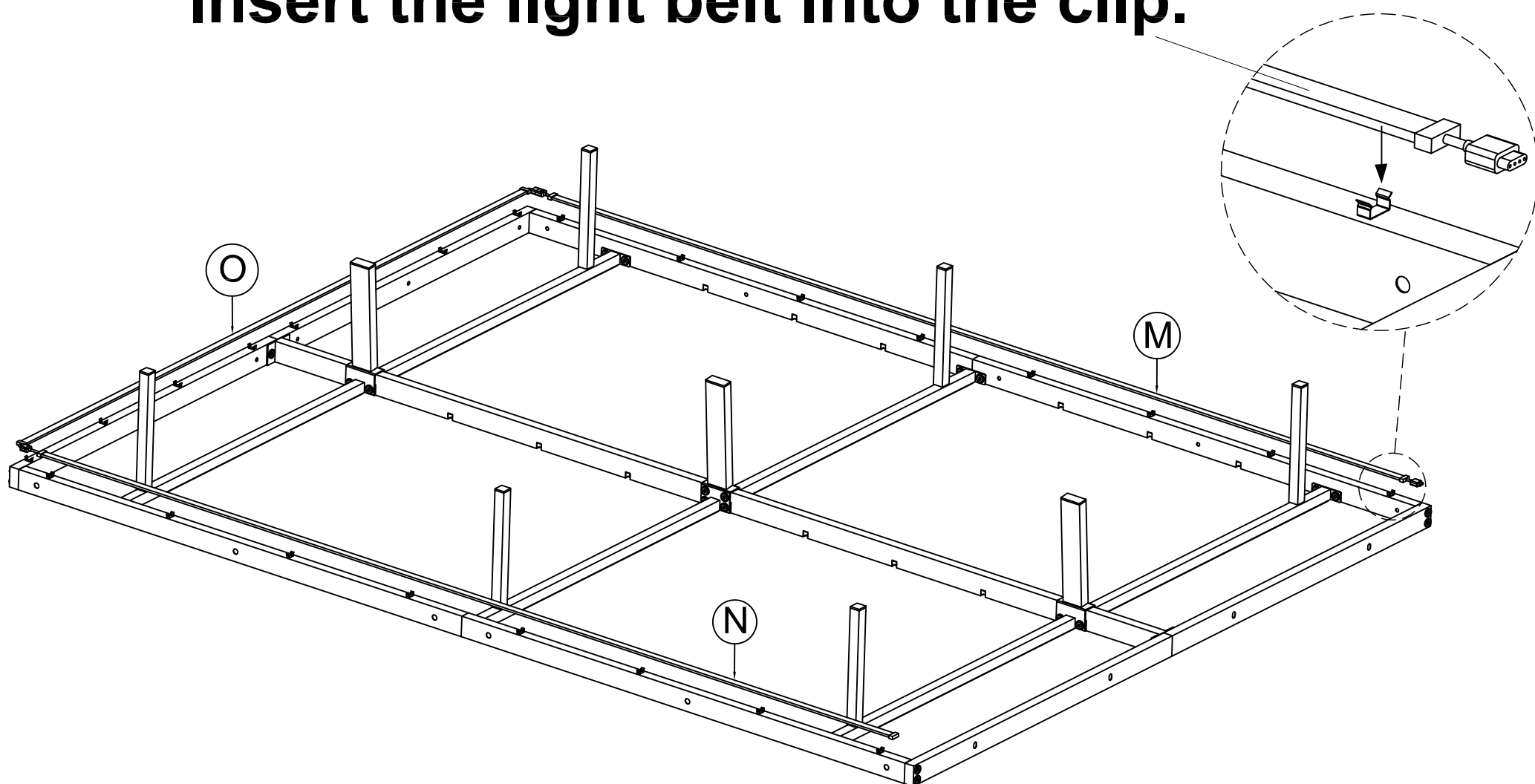


Step 11

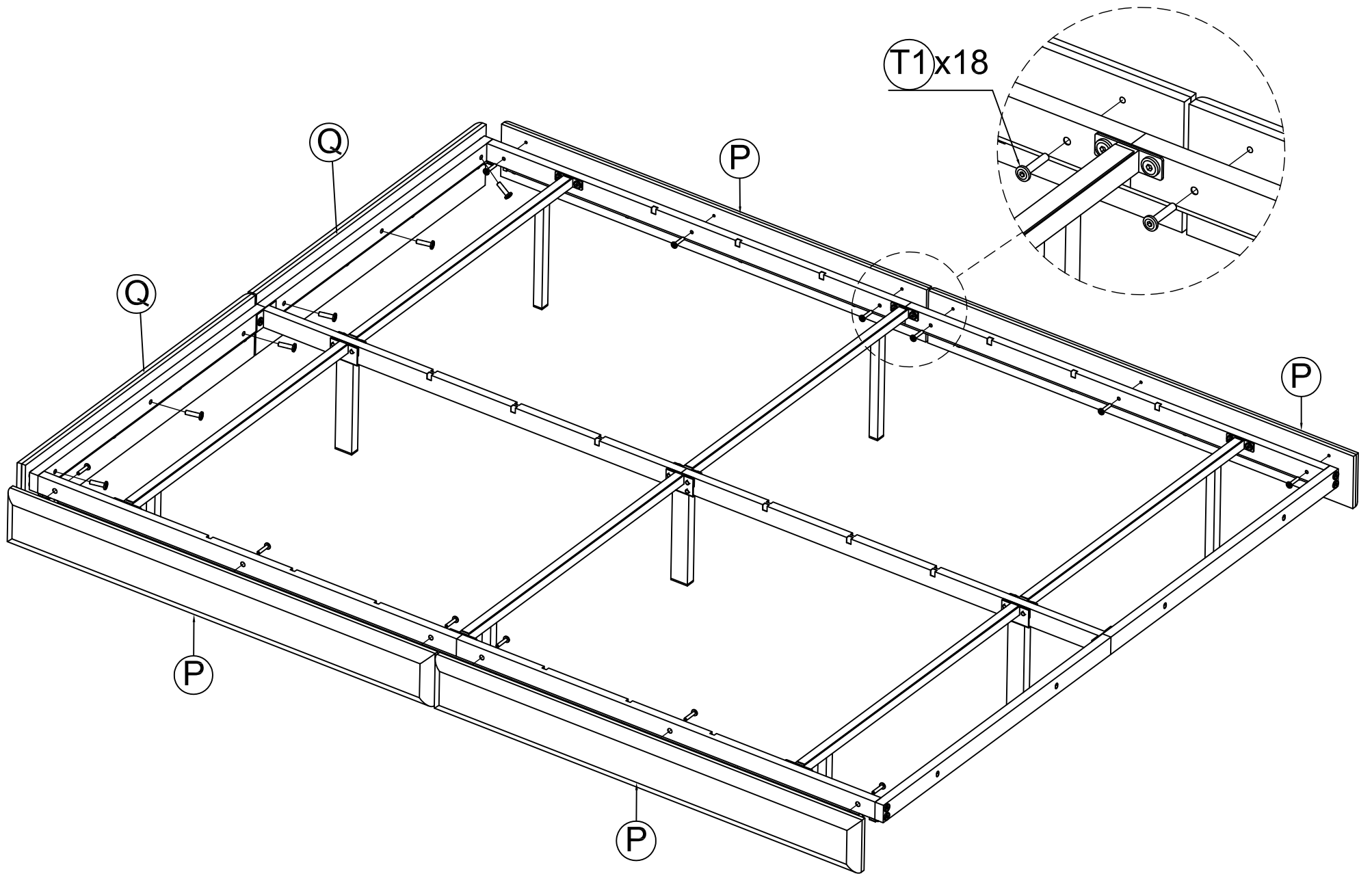


Step 12

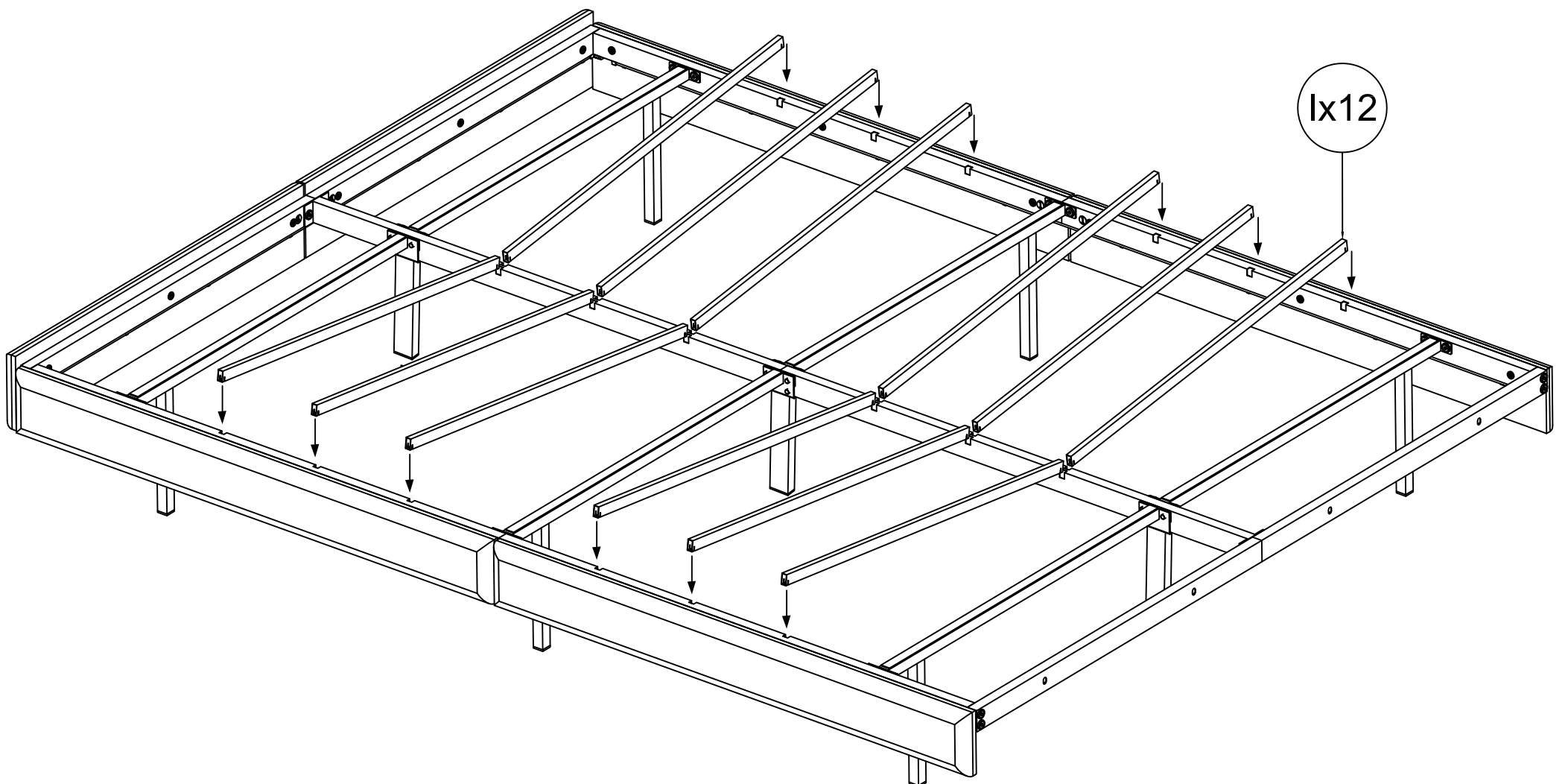
Attach the light belt to the bed frame and insert the light belt into the clip.



Step 13

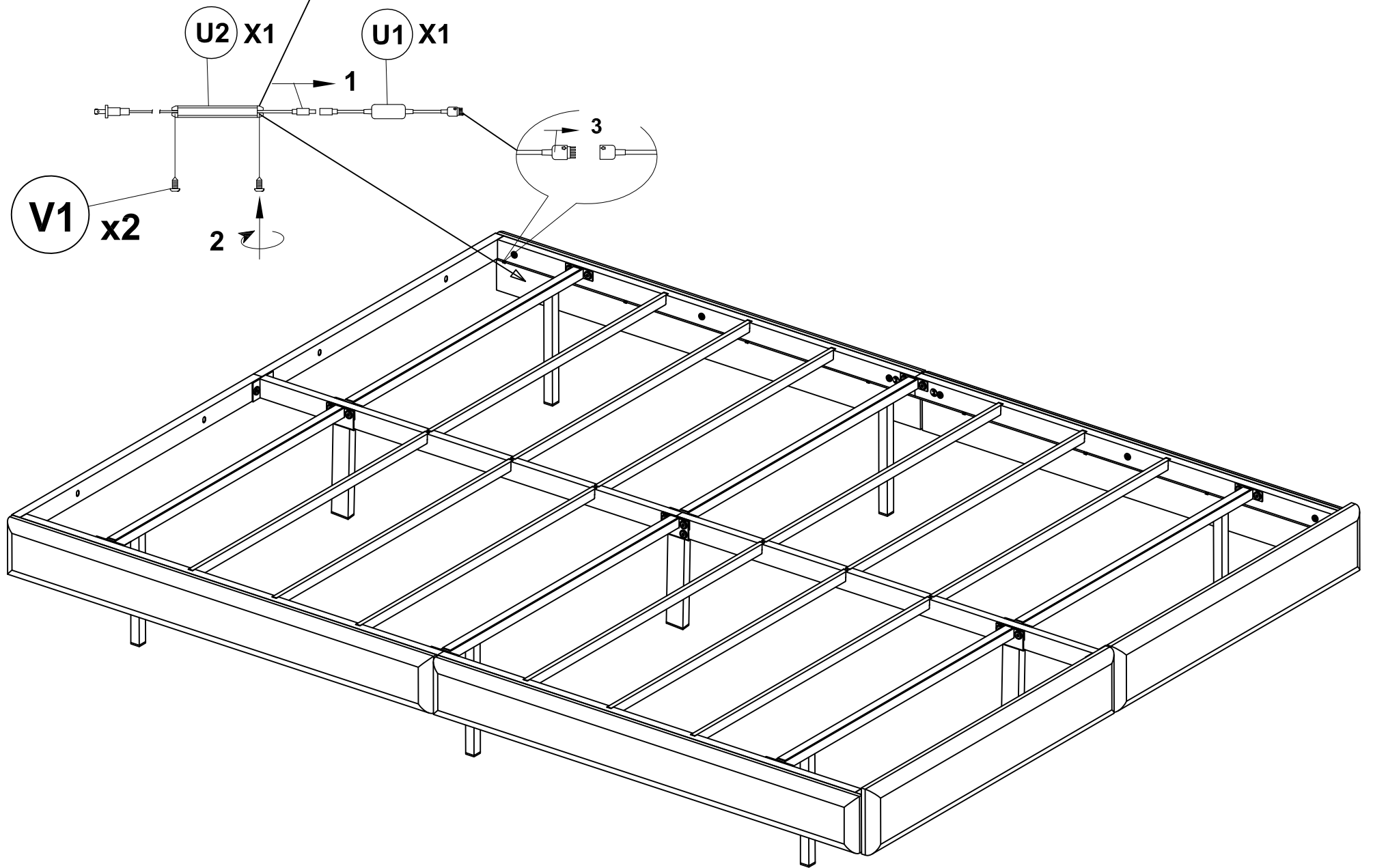


Step 14



Step 15

The power source is fixed to the bed frame



REMOTE CONTROLLER

Bright/Speed +/-

