

Have a question?

Ask our customer care team

☎ +44 (0) 1924 666 633

✉ service@jaybe.com

🕒 Mon to Thurs
9am - 5pm (Fri 4pm)

Discover more at [jaybe.com](https://www.jaybe.com)

FOR YOUR SAFETY

We take your safety very seriously which is why Jay-Be® products are designed and tested to meet rigorous international safety and quality standards.

However, this folding bed contains moving parts so please be aware of possible finger or hand entrapment when operating. This is not a toy and young children should be supervised when using the product.

Please ensure that the bed is always positioned on a level surface to ensure that it remains stable when in use.

DIGITAL PRODUCT PASSPORT

Through thoughtful development, the use of sustainable materials, and consideration for how the product can be repaired or recycled, we have designed this product to minimise our carbon footprint. Scan the QR code to learn more.



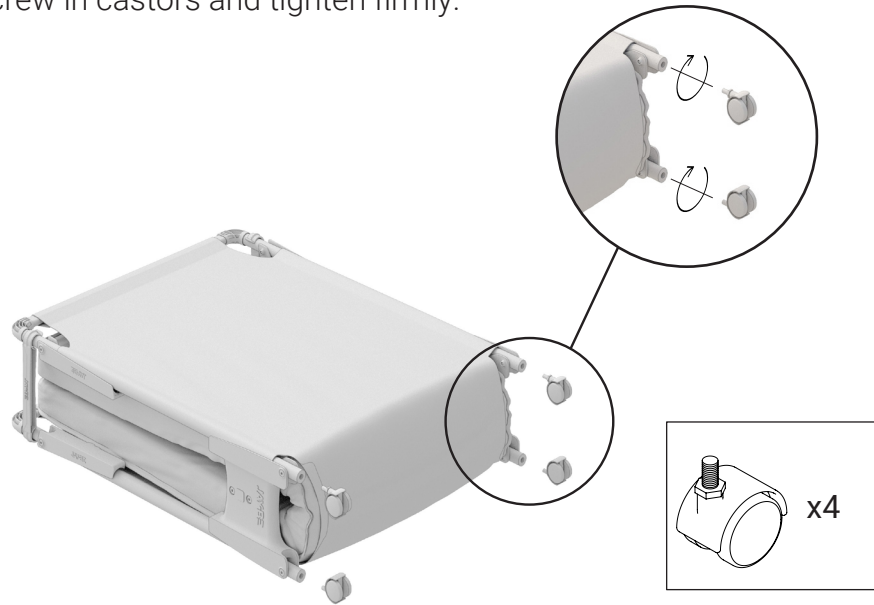
PR2341

Hideaway Folding bed

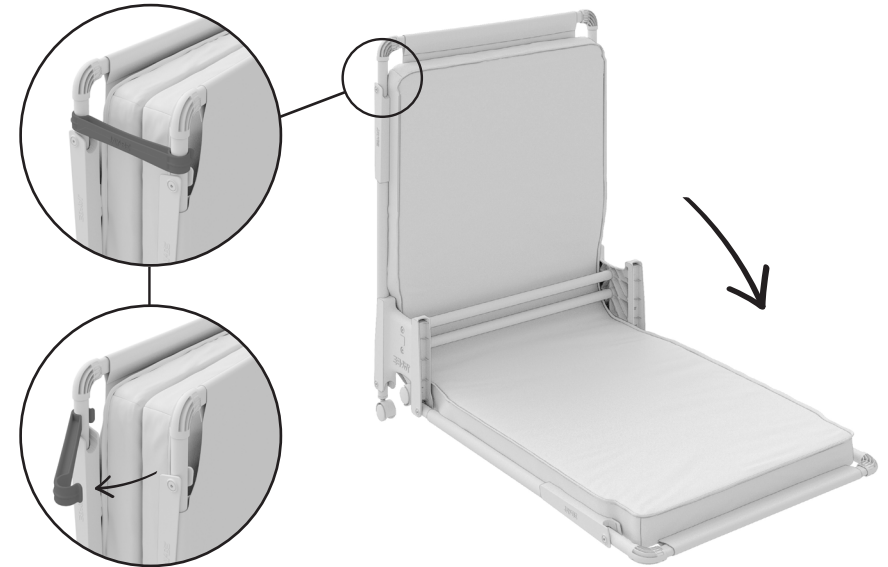
JAY-BE
Sleep Smart



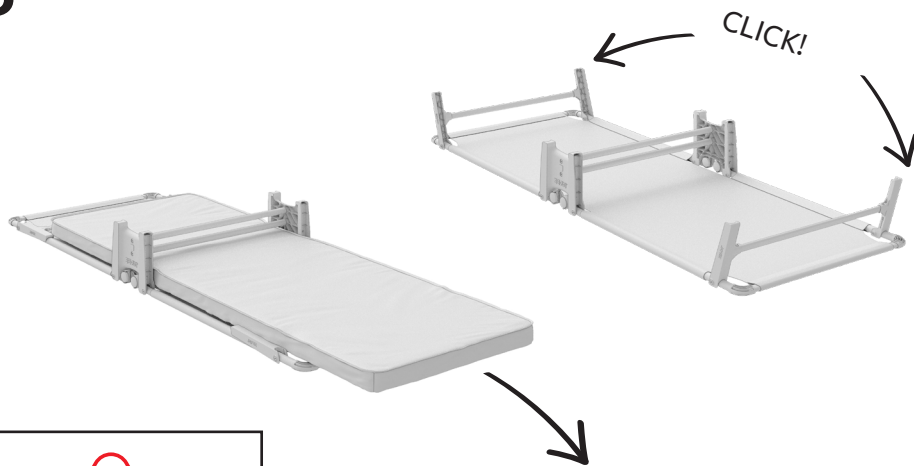
1 Screw in castors and tighten firmly.



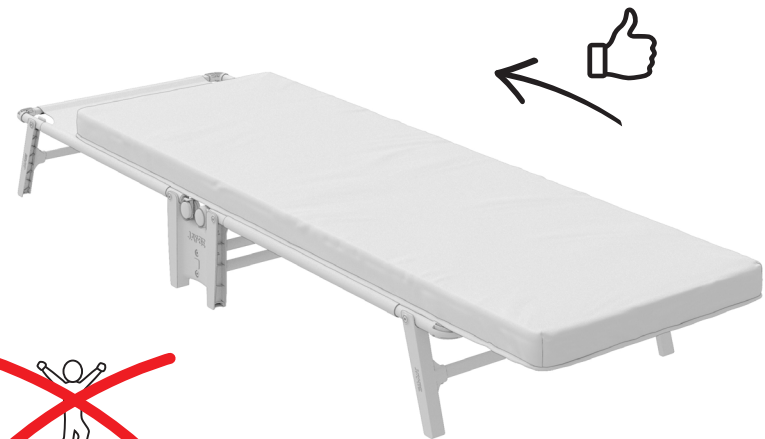
2 Remove clips on each side and unfold the bed.



3 Take mattress out and fully extend legs.



4 Please ensure both legs are fully extended and clicked in place before use.



CAUTION!

Take care when opening and closing your folding bed to avoid any entrapment.