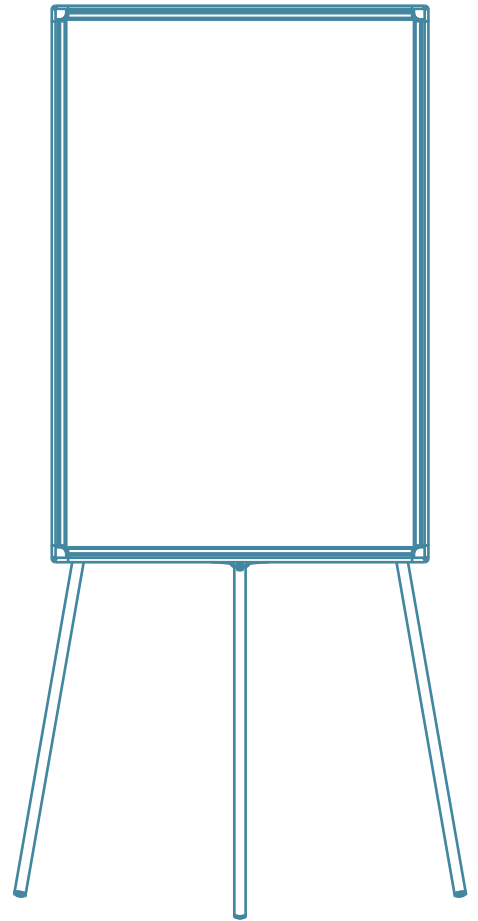


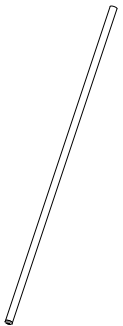
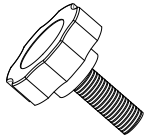
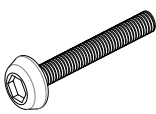
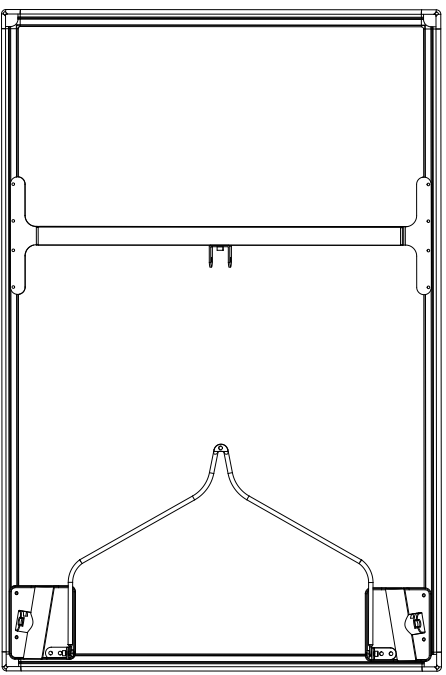
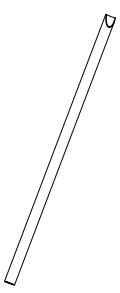
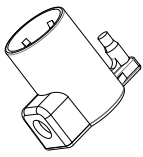

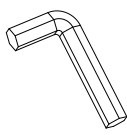

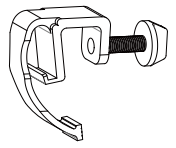

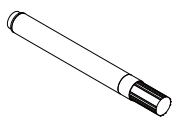

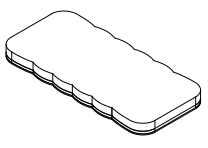
✉ HJ-Customer-Service@outlook.com

☎ (909)637-7665 | (909)637-7593

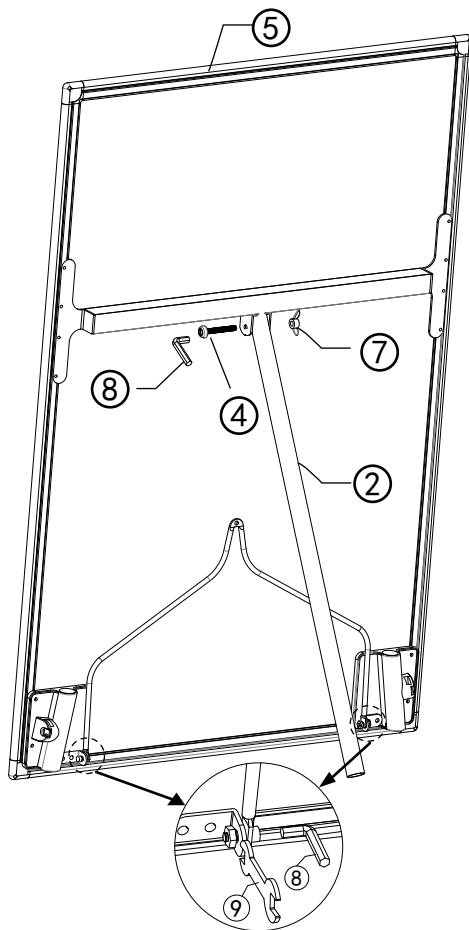
EST 9:00AM--17:00PM



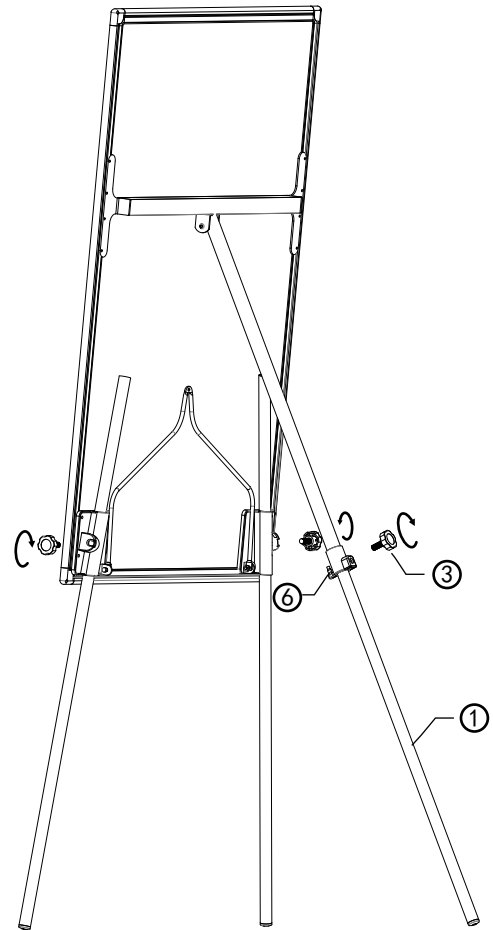
Magnetic Dry Erase Board

<p>①</p>  <p>X3</p>	<p>③</p>  <p>X3</p>	<p>④</p>  <p>X1</p>	<p>⑤</p>  <p>X1</p>		
<p>②</p>  <p>X1</p>	<p>⑥</p>  <p>X1</p>	<p>⑦</p>  <p>X1</p>			
<p>⑧</p>  <p>X1</p>	<p>⑨</p>  <p>X1</p>				
<p>⑩</p>  <p>X2</p>	<p>⑪</p>  <p>X6</p>	<p>⑫</p>  <p>X3</p>		<p>⑬</p>  <p>X1</p>	<p>⑭</p>  <p>X1</p>

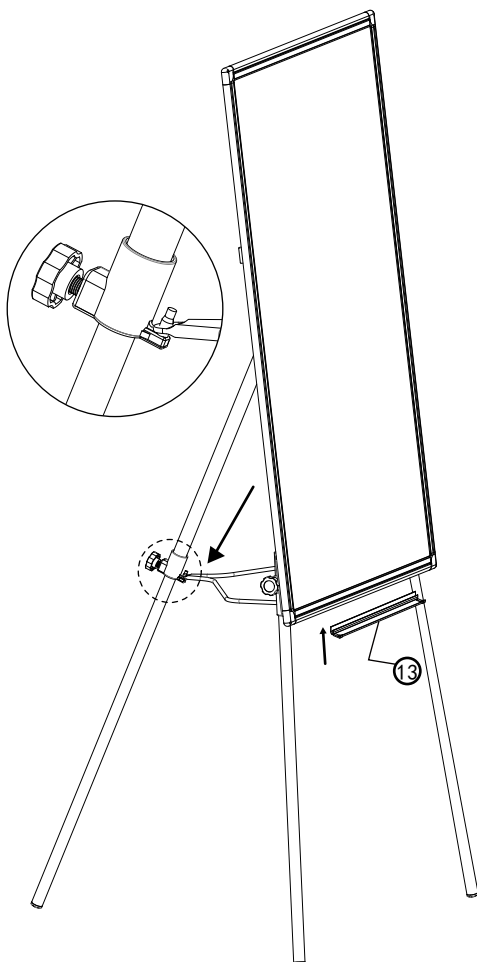
Step 1



Step 2



Step 3



Paper clamp ⑩ instructions:

1. Place the clamp on the frame and insert the paper between the clamp and the board, as shown in Figure A;
2. Rotate the screw on the clamp clockwise to tighten it, and counterclockwise to loosen and change the paper as shown in Figure B..

