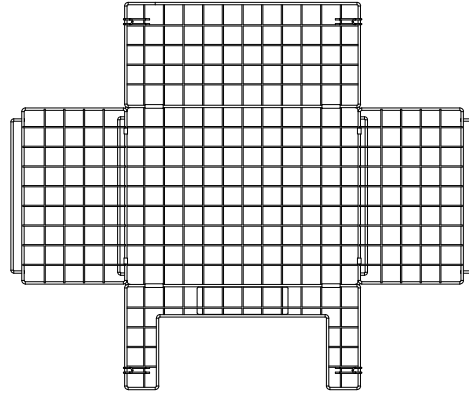


Installation Instructions

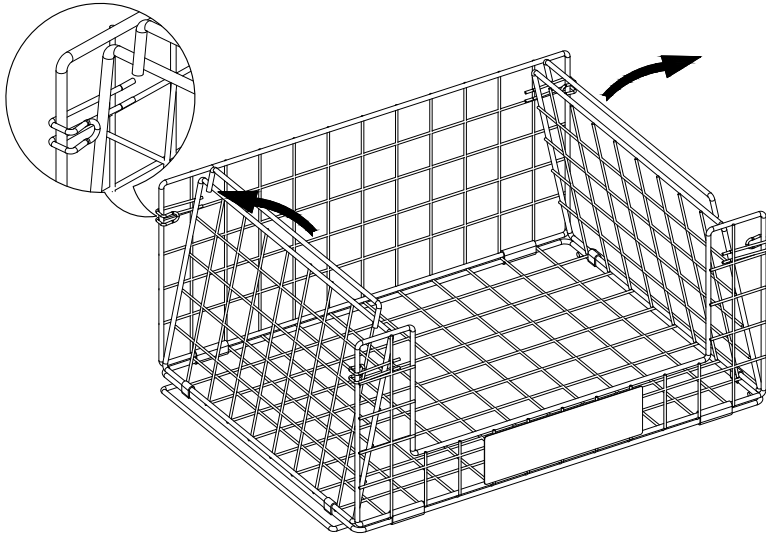
Accessories include

A *4pcs

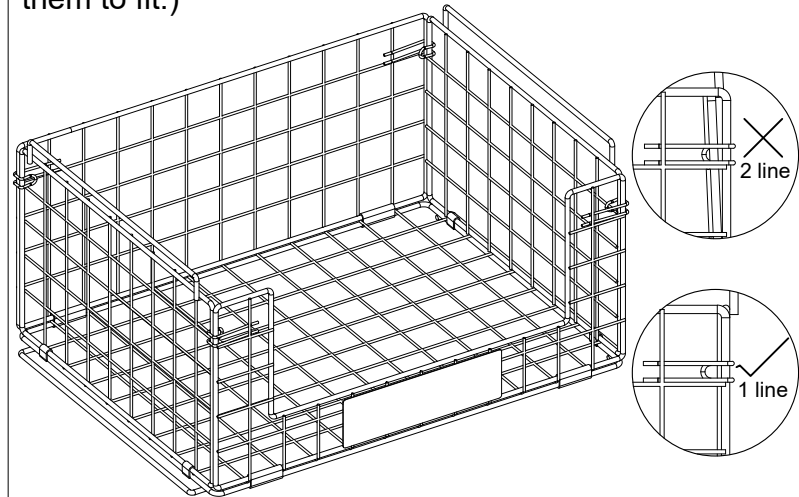


Installation Steps

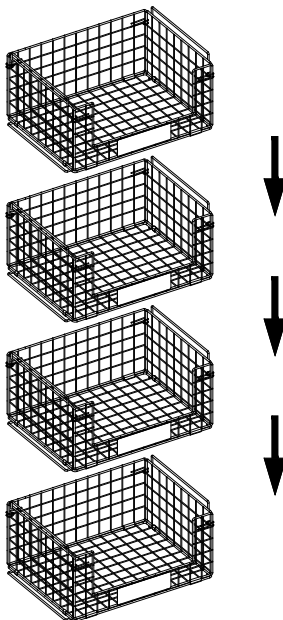
1. Snap the 2 sides into the 4 buckles on the front and back.
(Note: They are all buckled on the first grid.)



2. Pull the 4 buckle positions firmly to make the 4 sides of the basket fully fit. (Note: From the front, the front of the basket is one line when the assembly is completed, if there are two lines, you need to use more force to pull them to fit.)



3. 4 baskets can be stacked for use.



4. Done.

