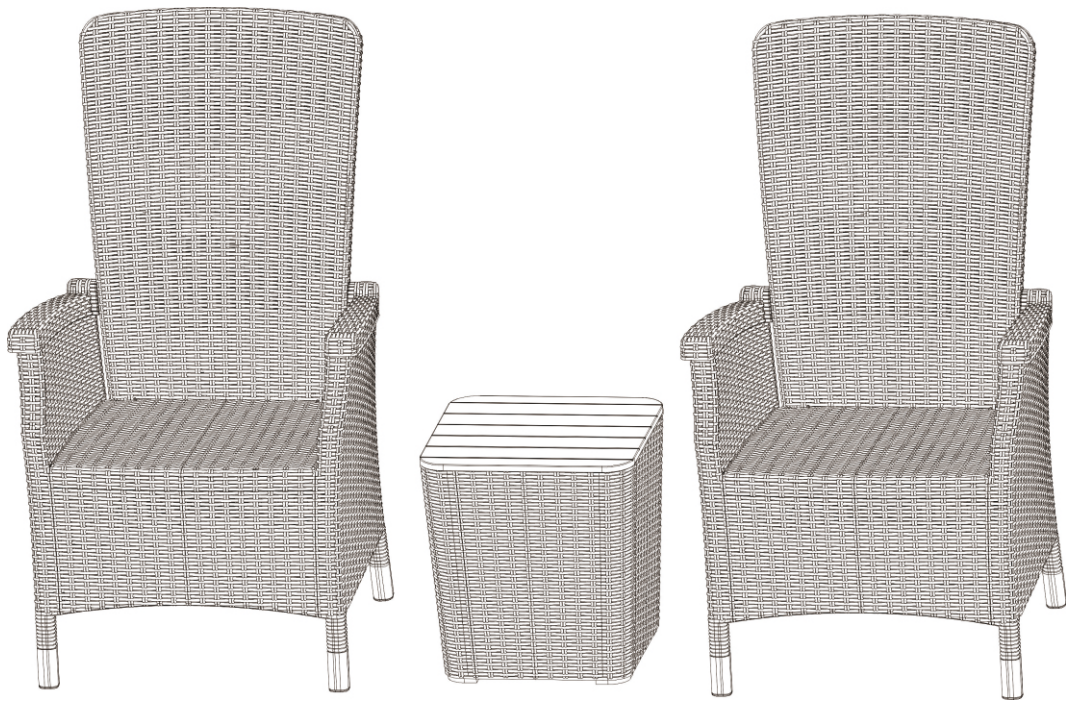
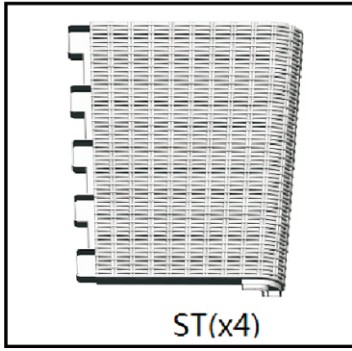


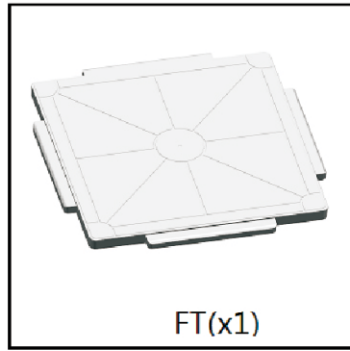
ASSEMBLY INSTRUCTIONS



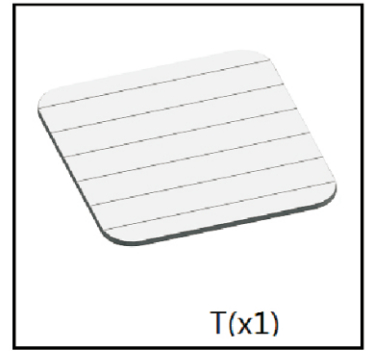
WARNING: Keep all small parts out of the reach of children.



ST(x4)

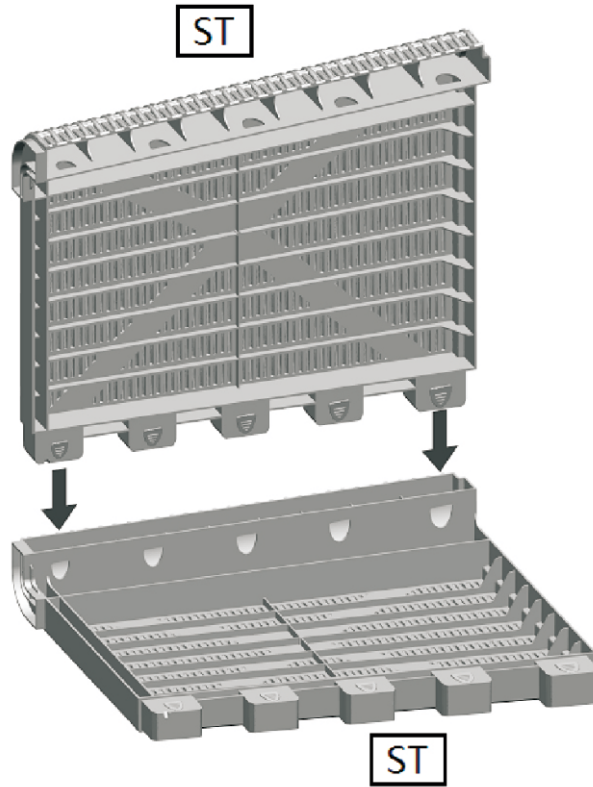


FT(x1)

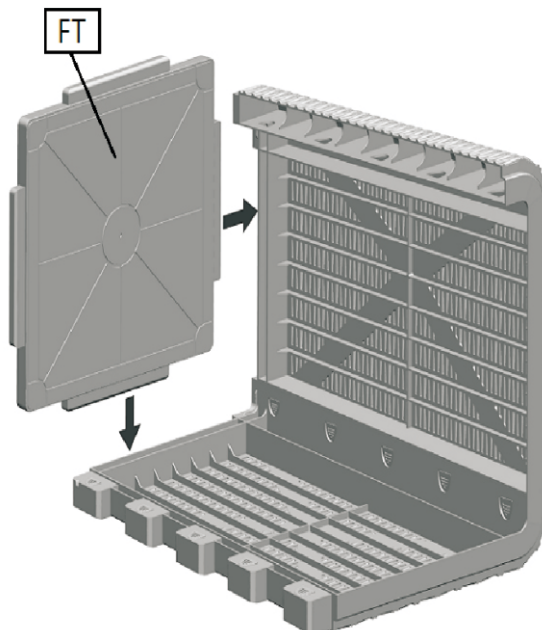


T(x1)

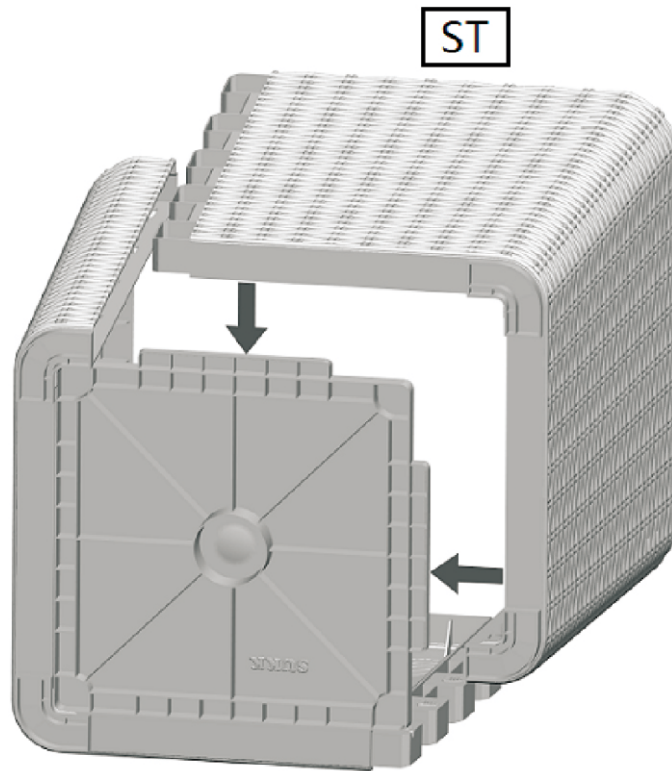
1



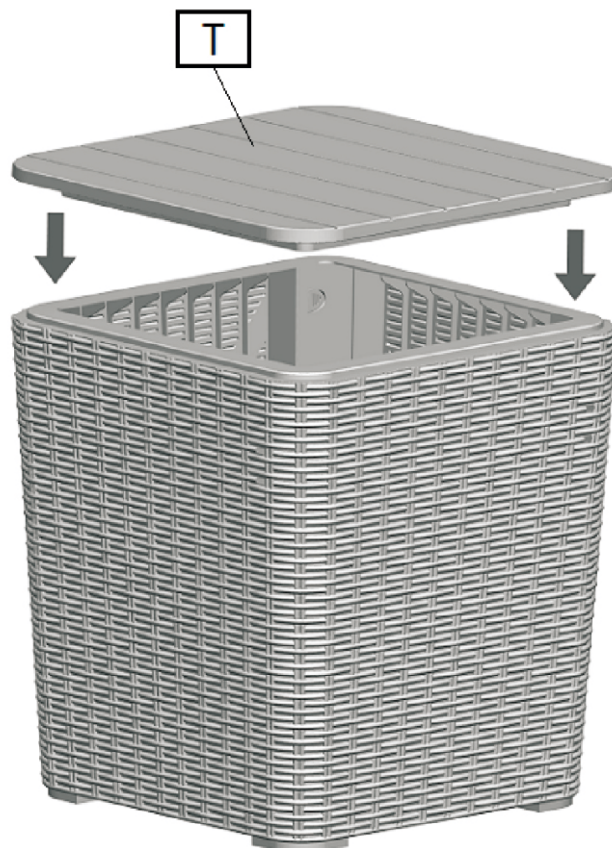
2

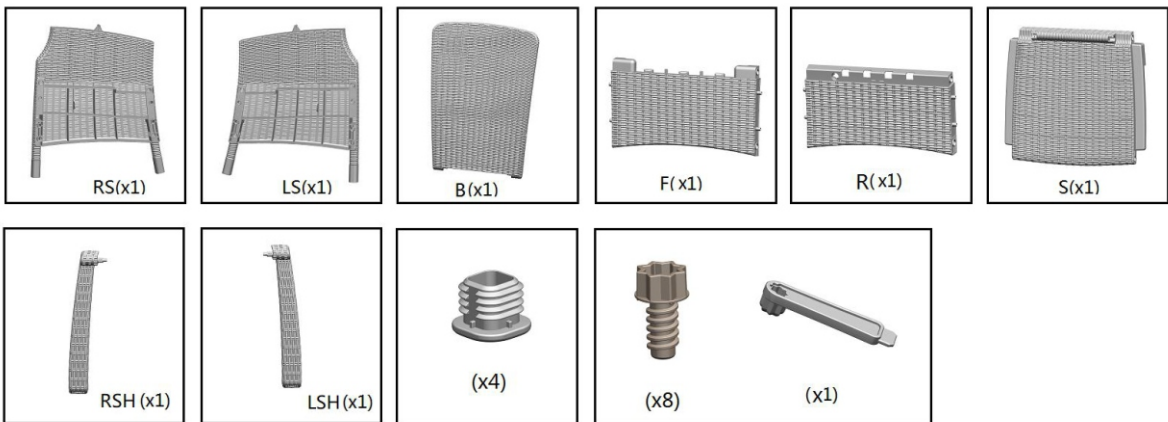
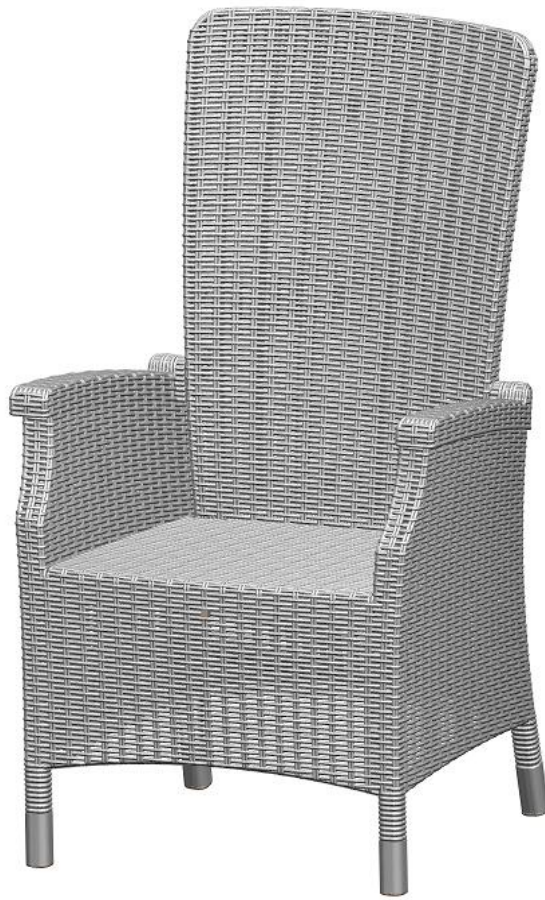


3

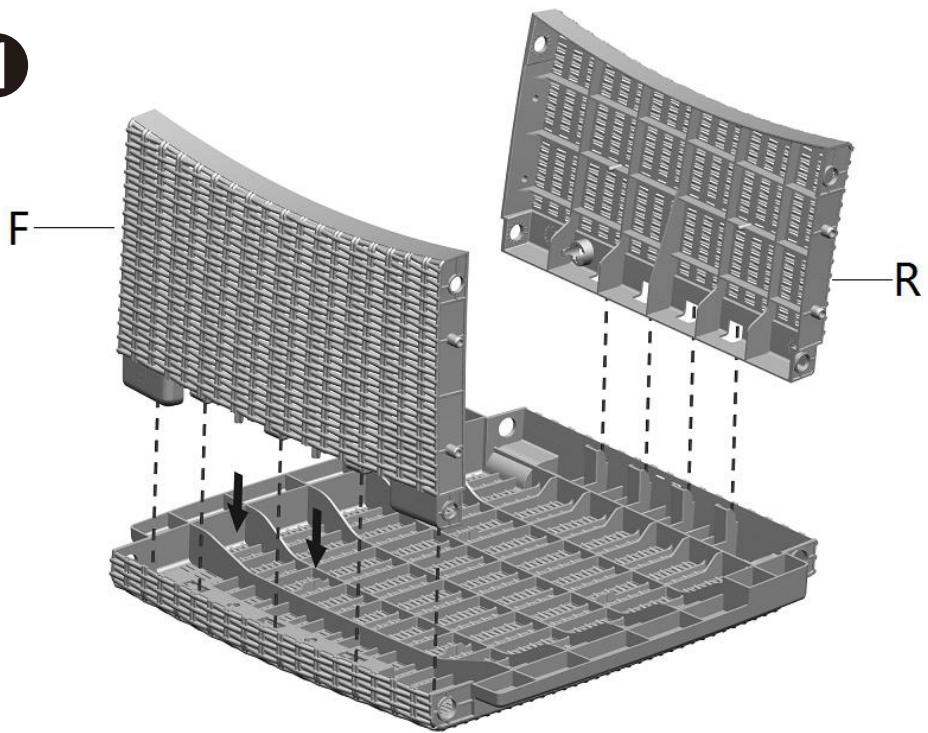


4

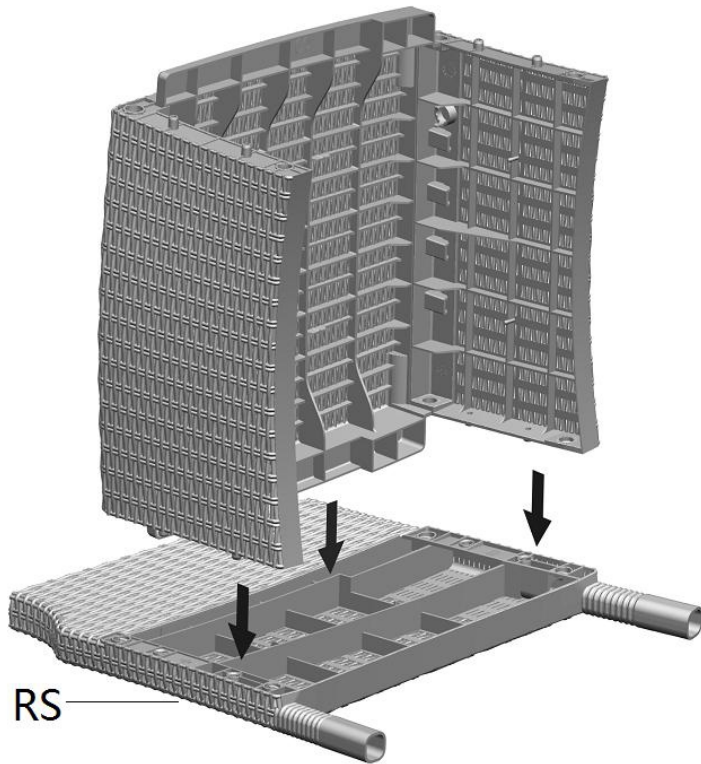




1

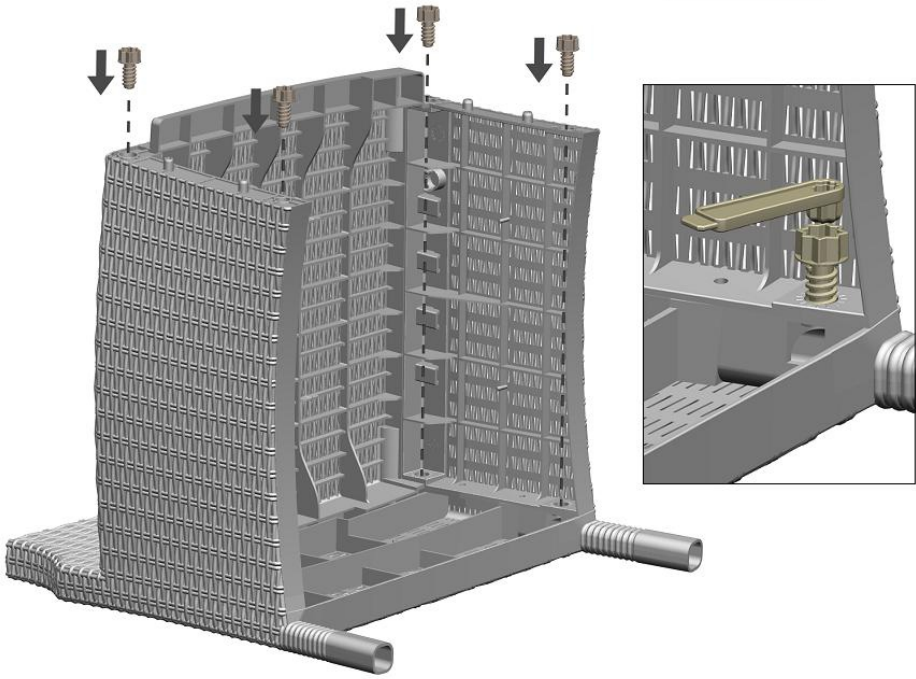


2

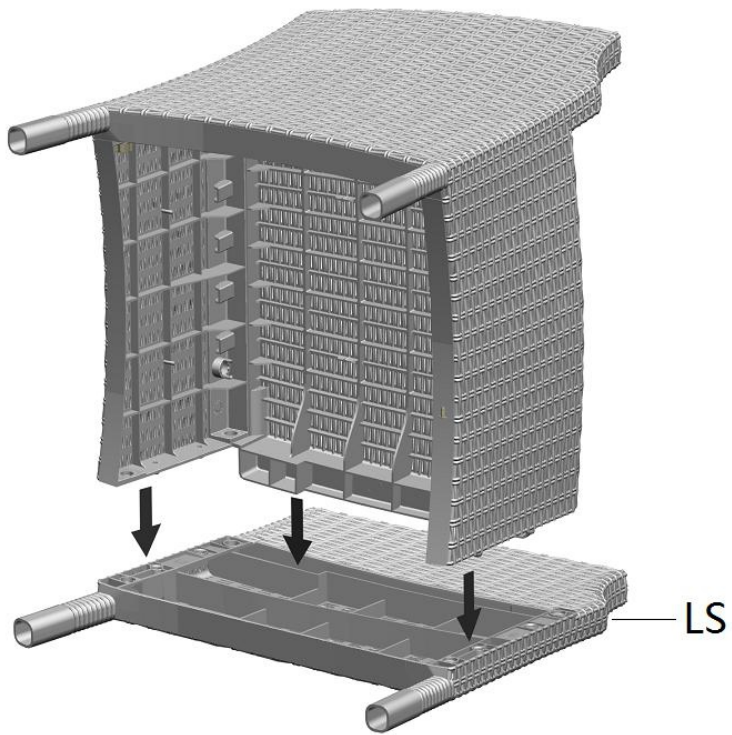


3

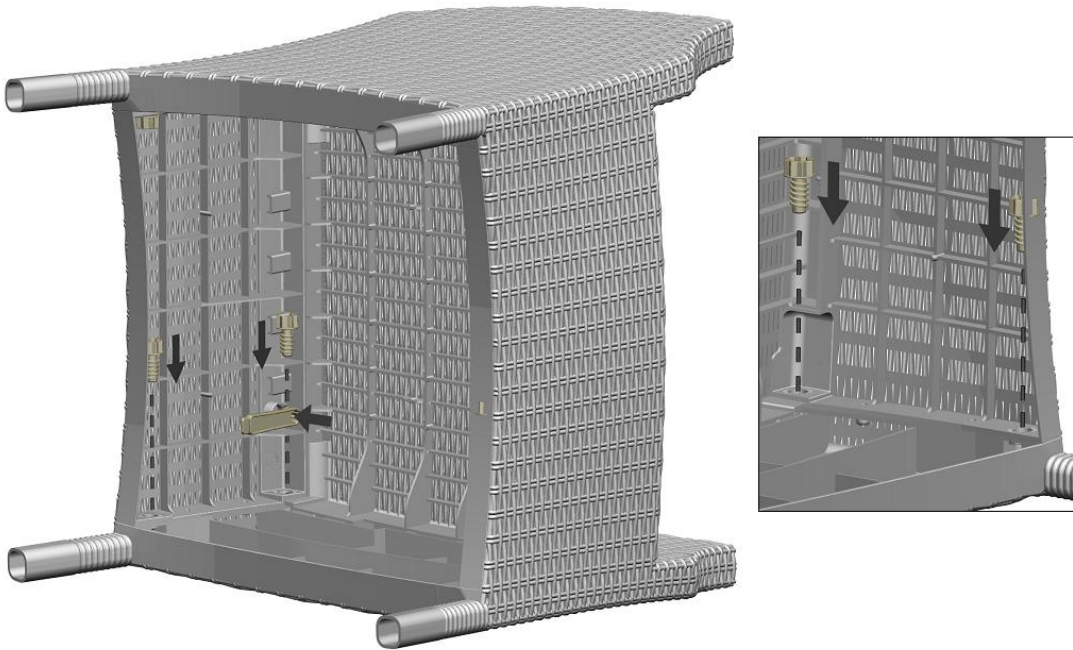
 X4



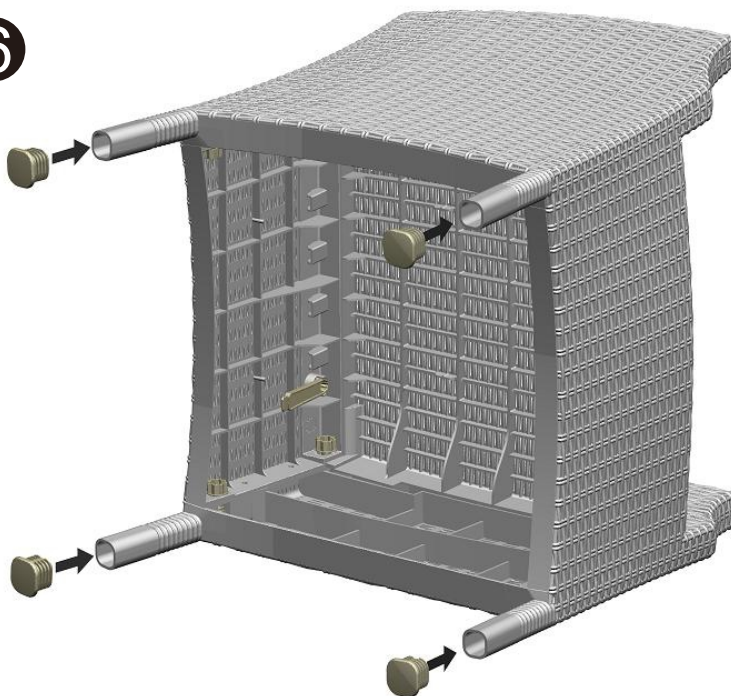
4



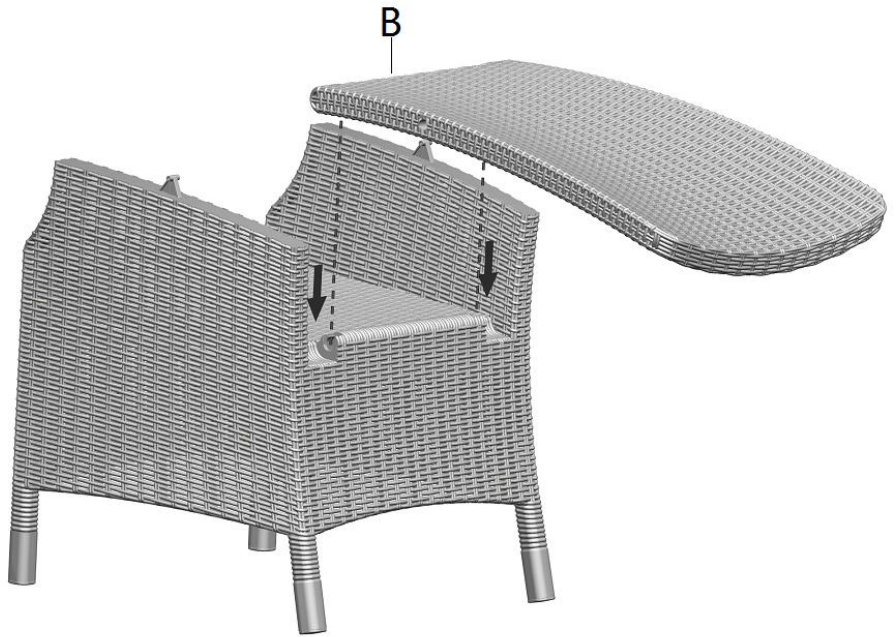
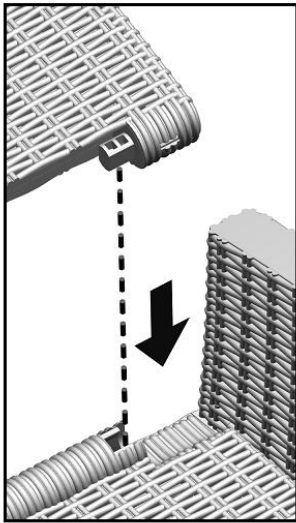
5



6



7



8

