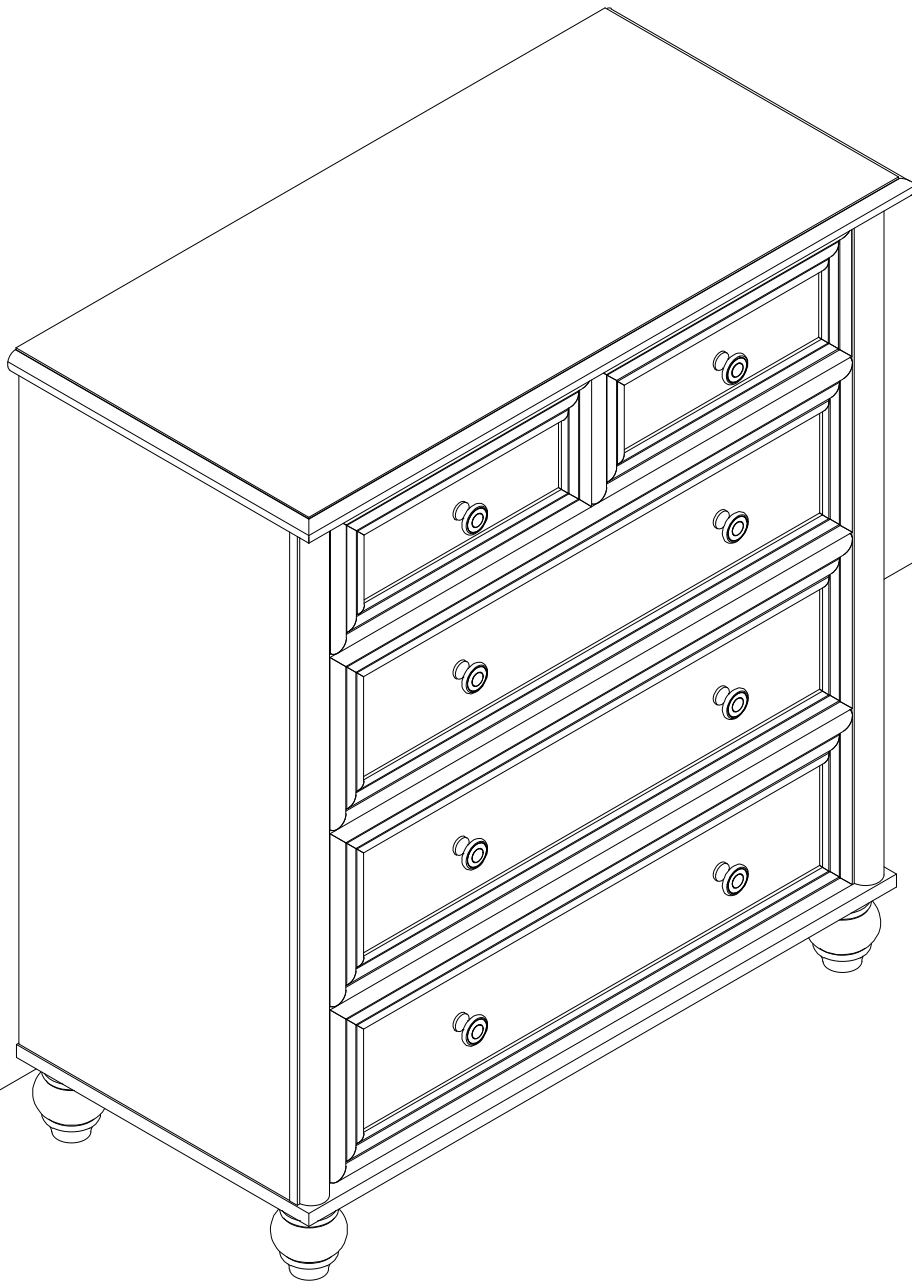
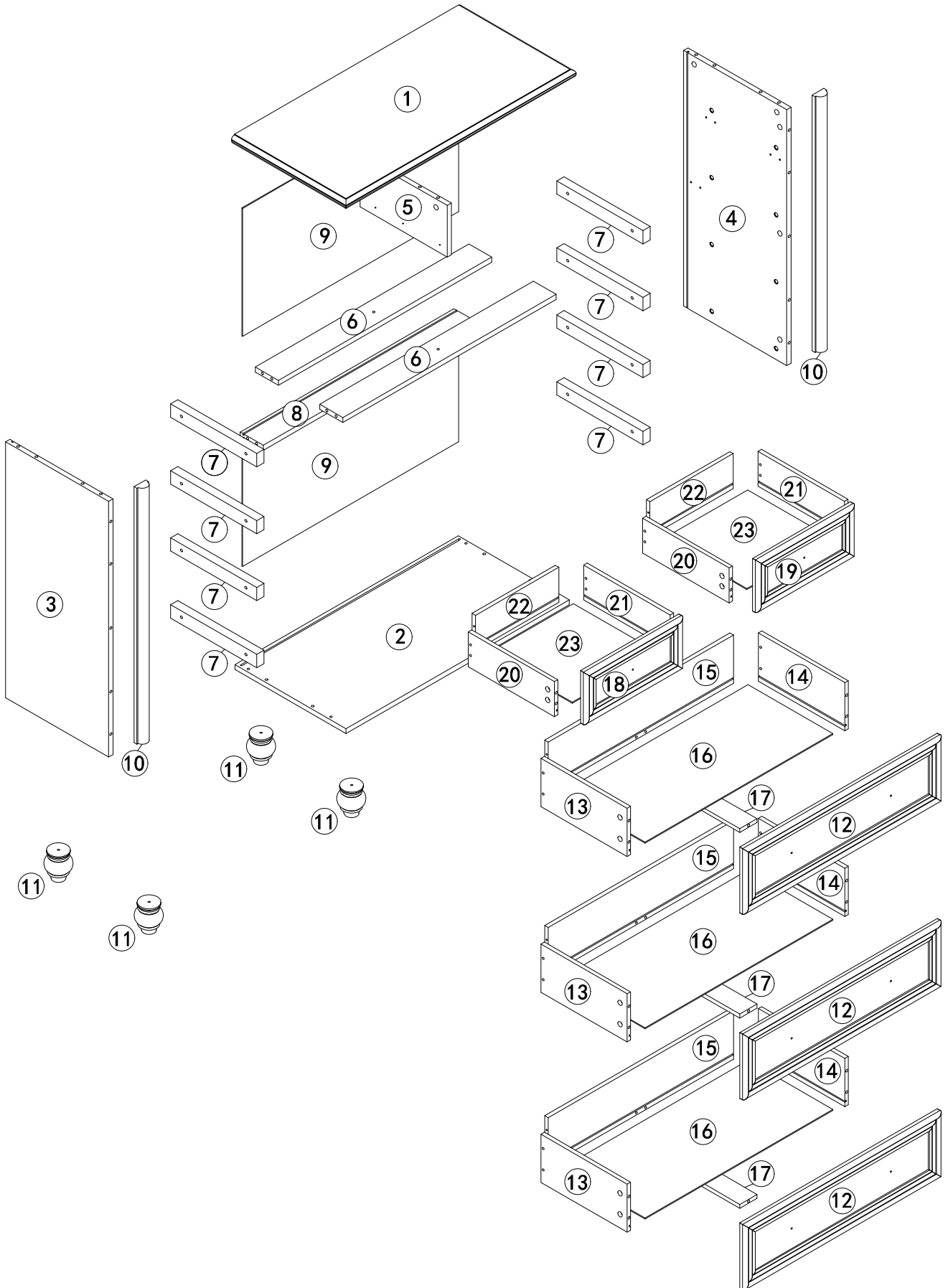


Assembly Instructions

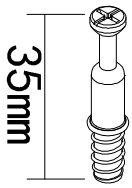
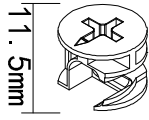
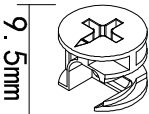


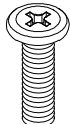
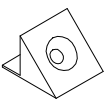

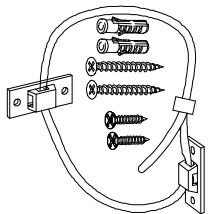

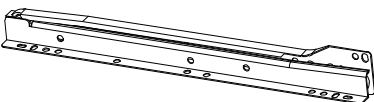


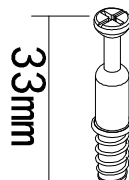
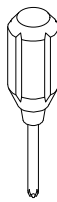



Instructions for use: The cabinet legs should be designed to avoid lateral stress. When moving, please lift vertically off the ground. Dragging may cause loose connectors, affecting stability and service life

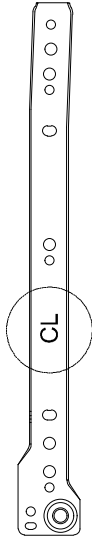
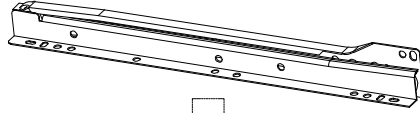
PART LIST



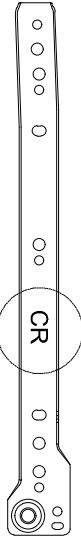
HARDWARE LIST

A  Ø6x35mm (24+2)PCS	B  Ø15x11.5mm (24+2)PCS	C  Ø15x9.5mm (23+2)PCS
D  Ø8x30mm (14+2)PCS	E  Ø5x40mm (32+2)PCS	F  Ø6x25mm (16+1)PCS
G  (8+1)PCS	H  Ø3x15mm (8+1)PCS	I  2PCS
J  Ø3x12mm (60+4)PCS	K  5SET	L  8PCS
M  Ø4x12mm 8PCS	N  Ø6x33mm (23+2)PCS	 1PC
 1PC		

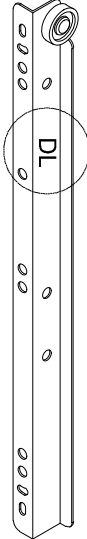
! K X 5SET



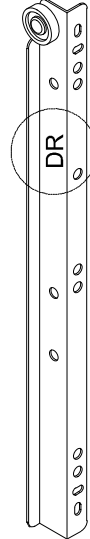
CL



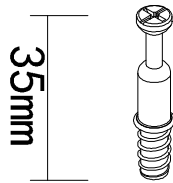
CR



DL

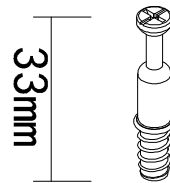


DR



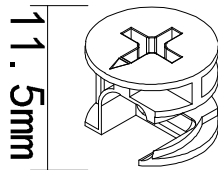
35mm

A



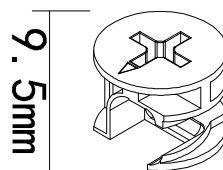
33mm

N



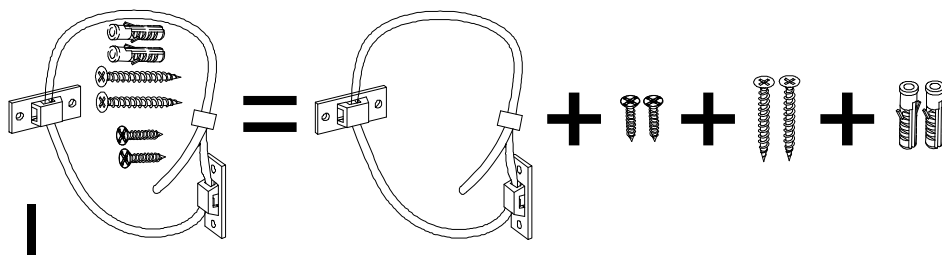
11.5mm

B

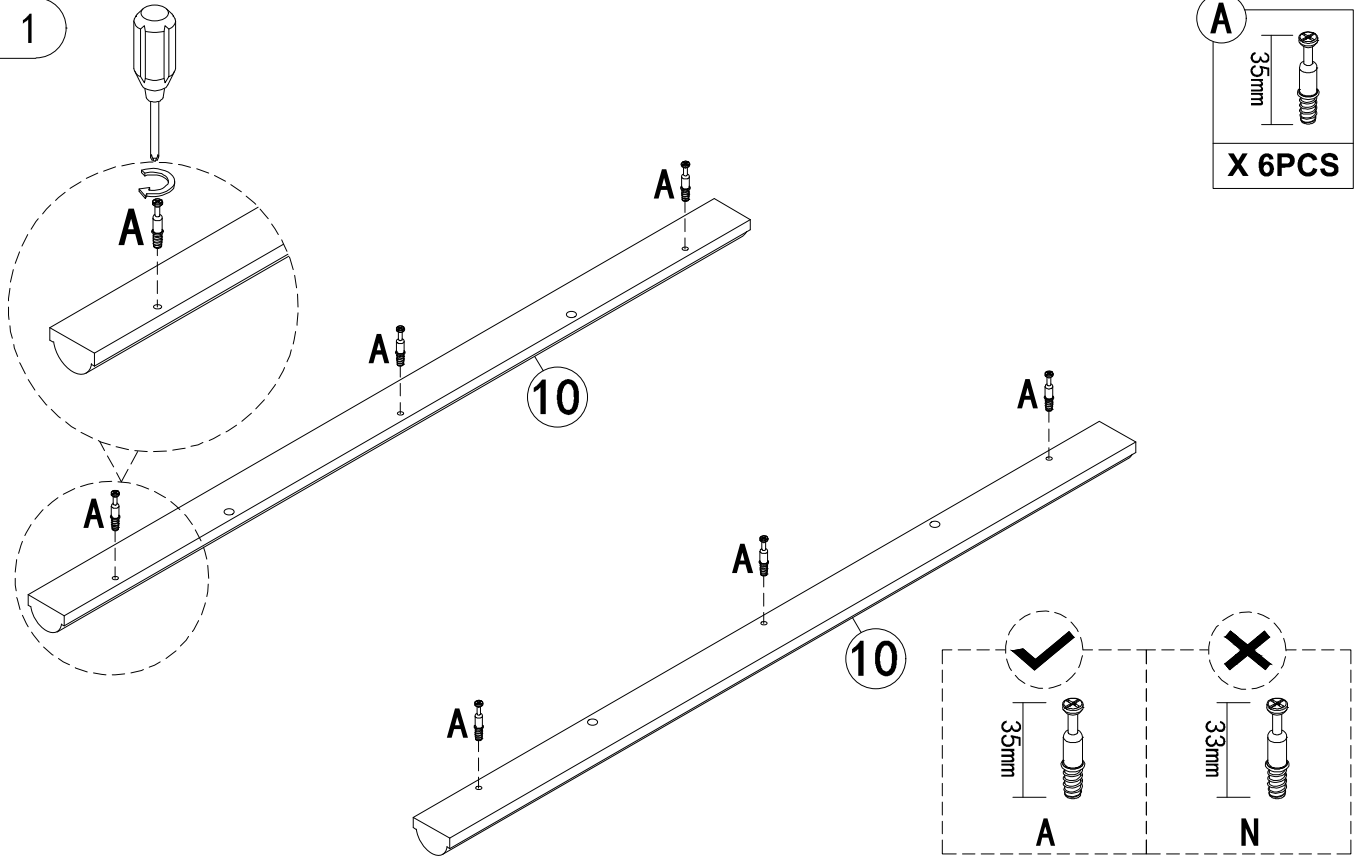


9.5mm

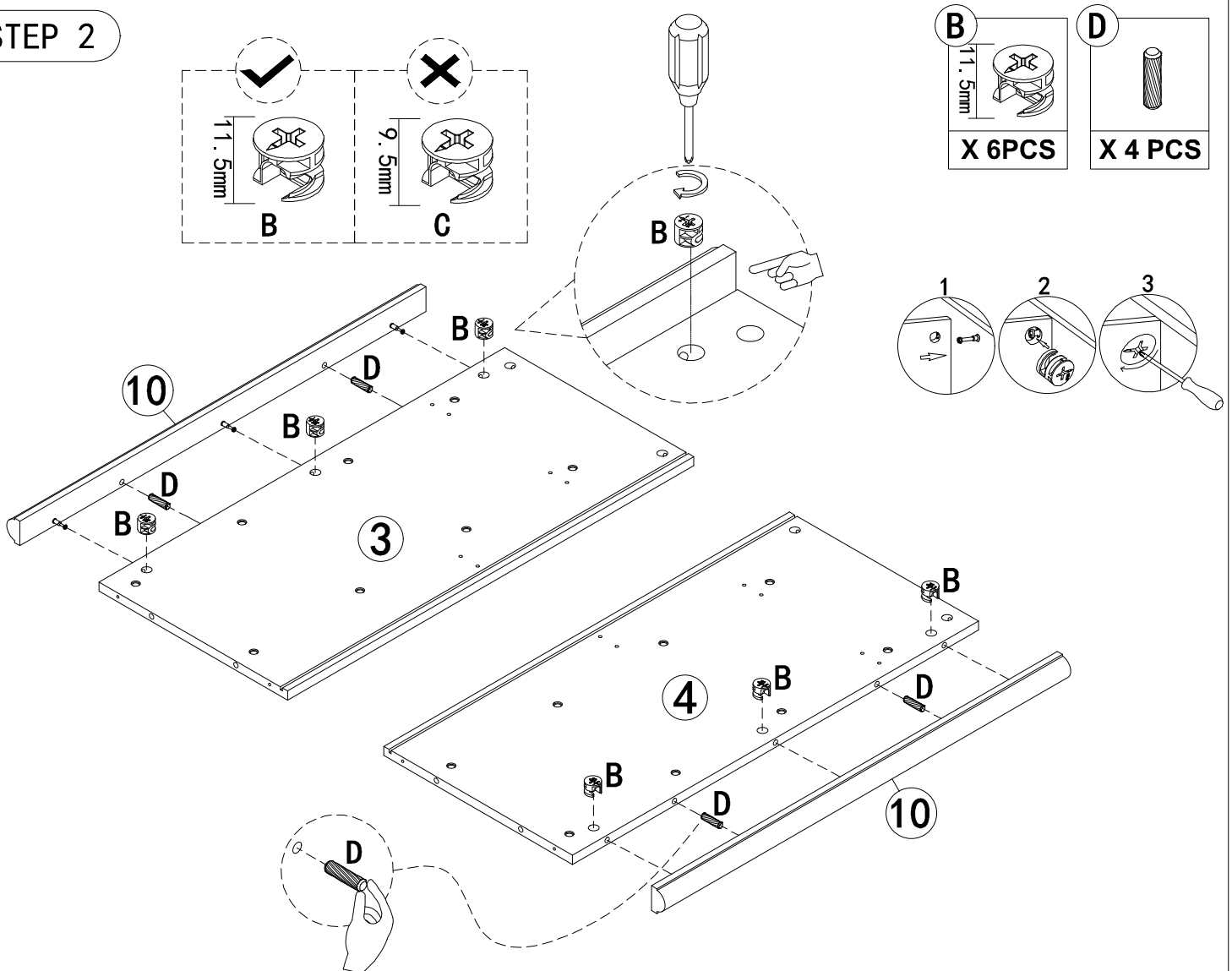
C



STEP 1

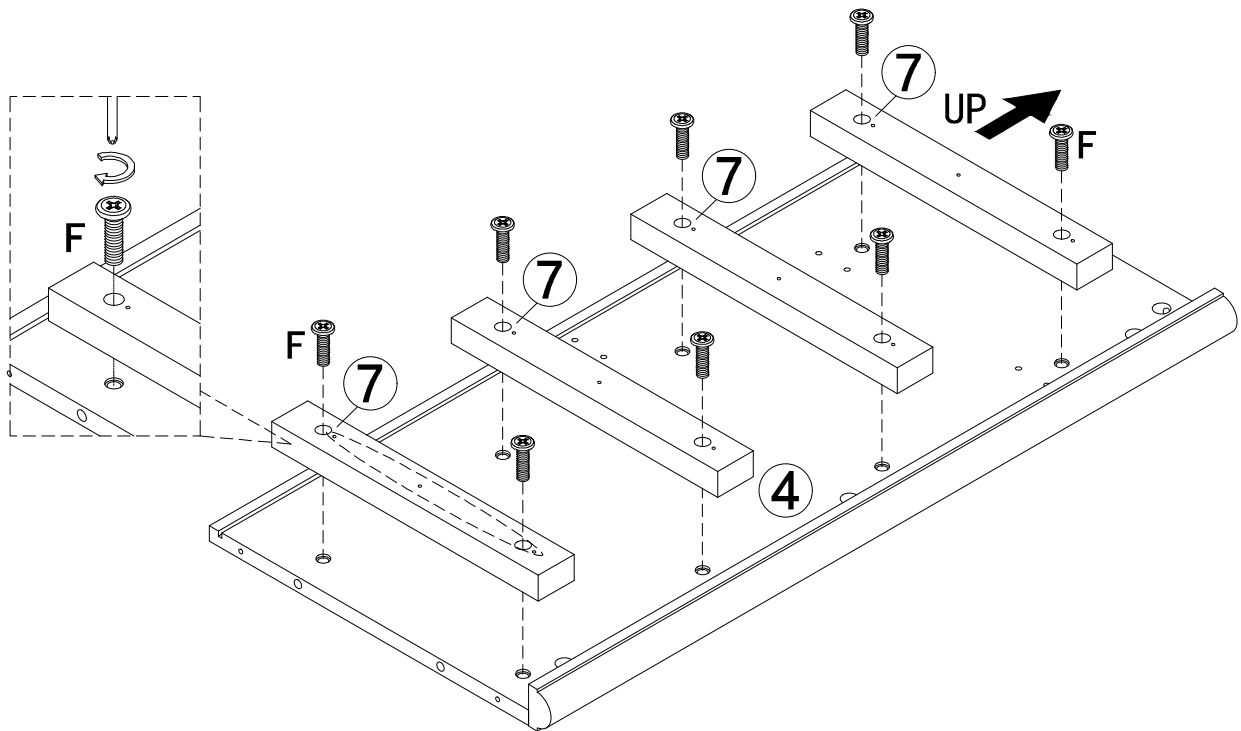
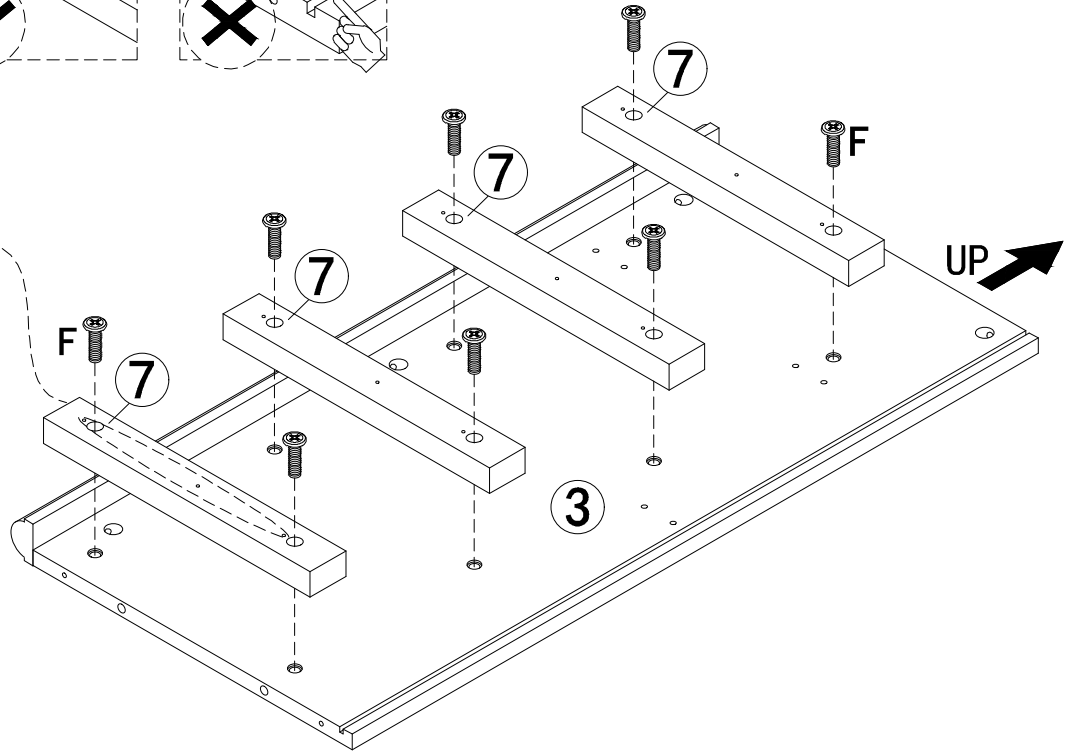
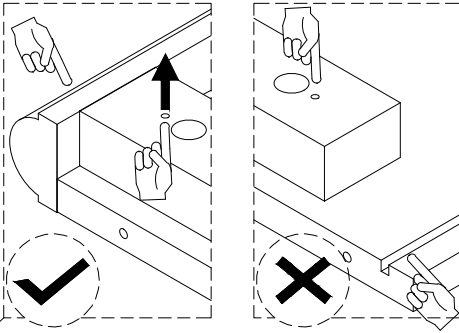


STEP 2



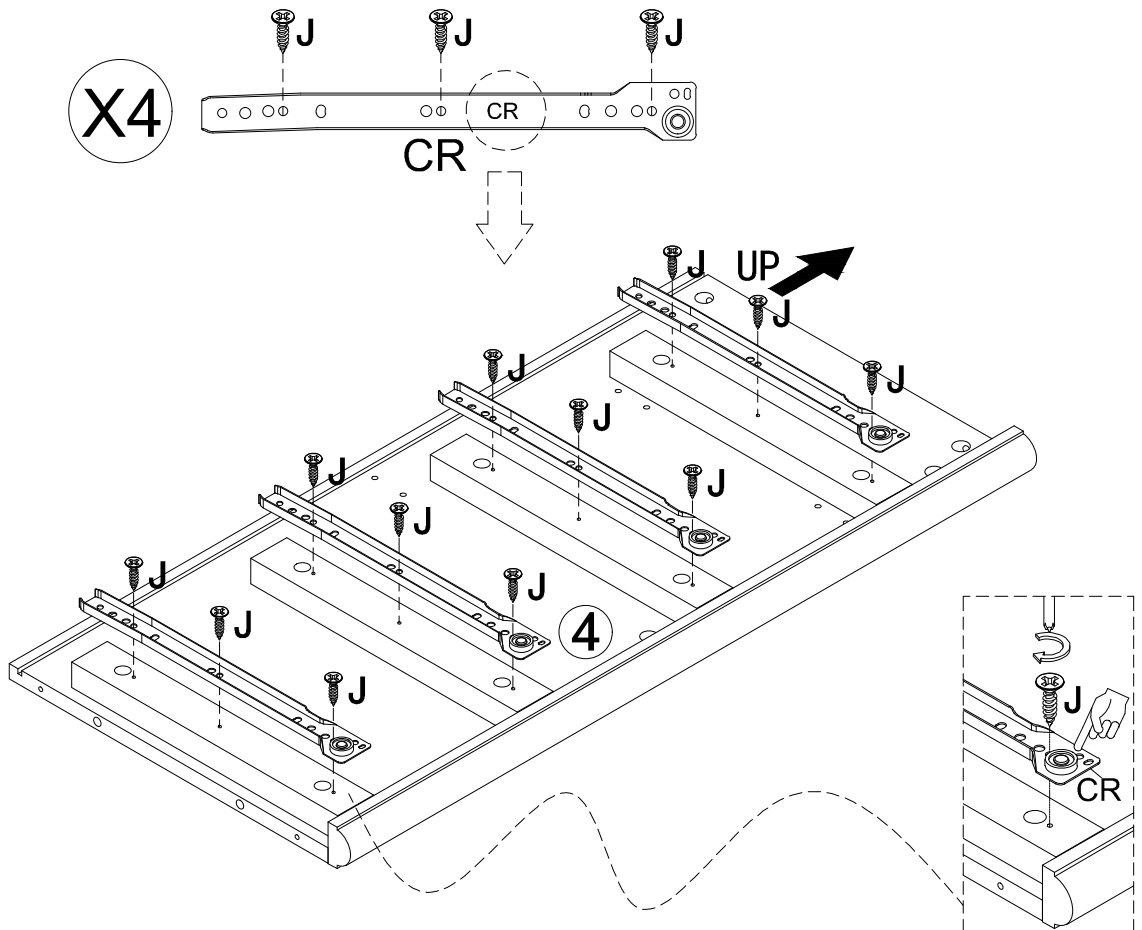
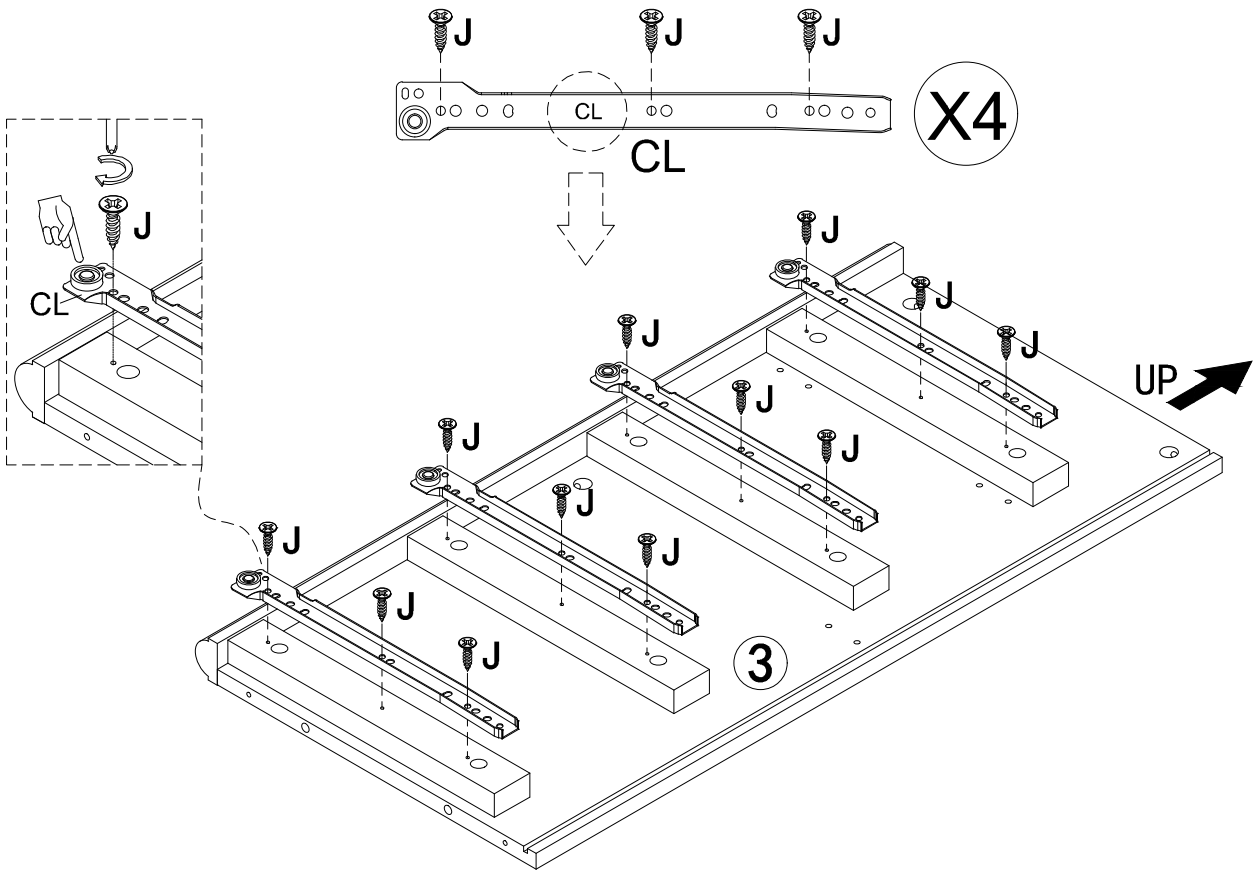
STEP 3

F
X 16PCS

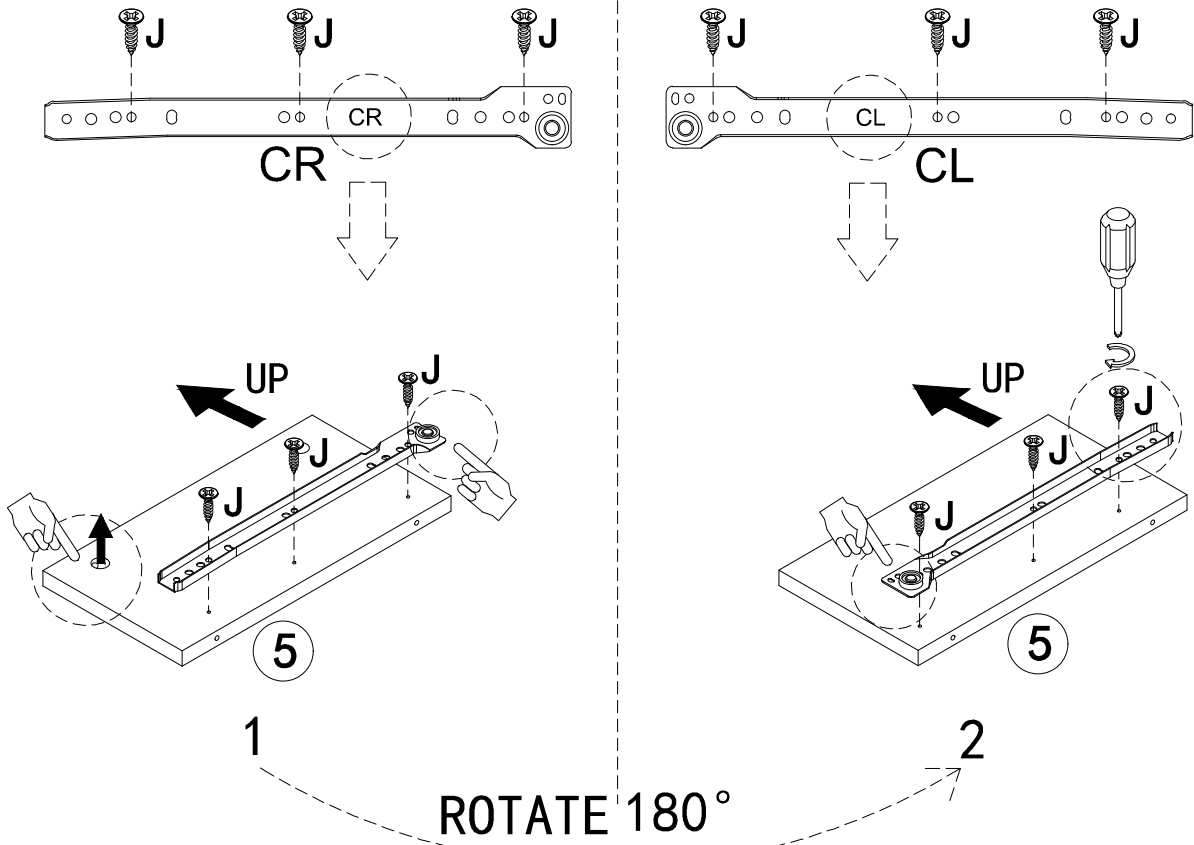


STEP 4

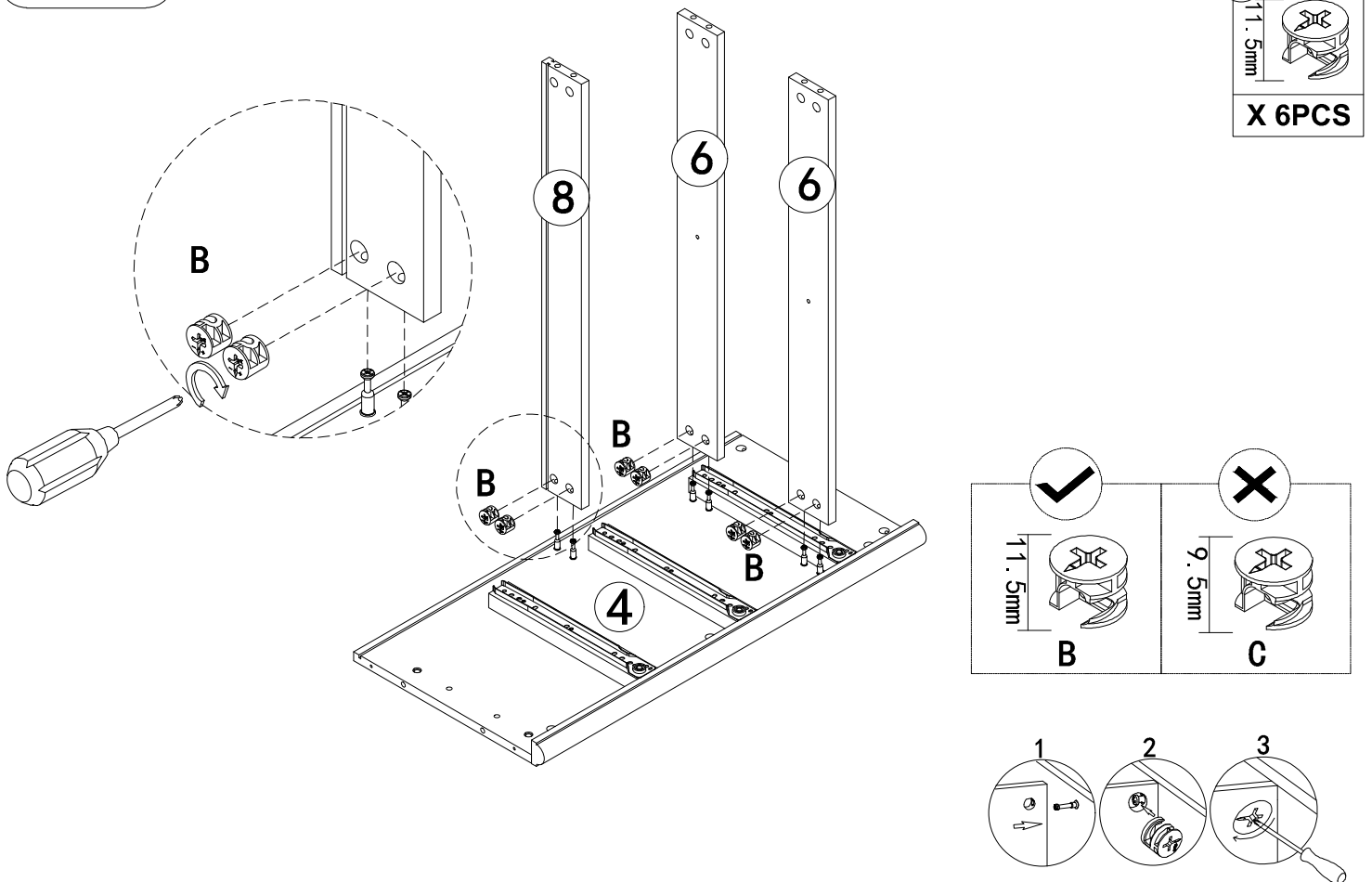
J
X 24PCS



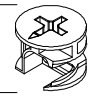
STEP 6

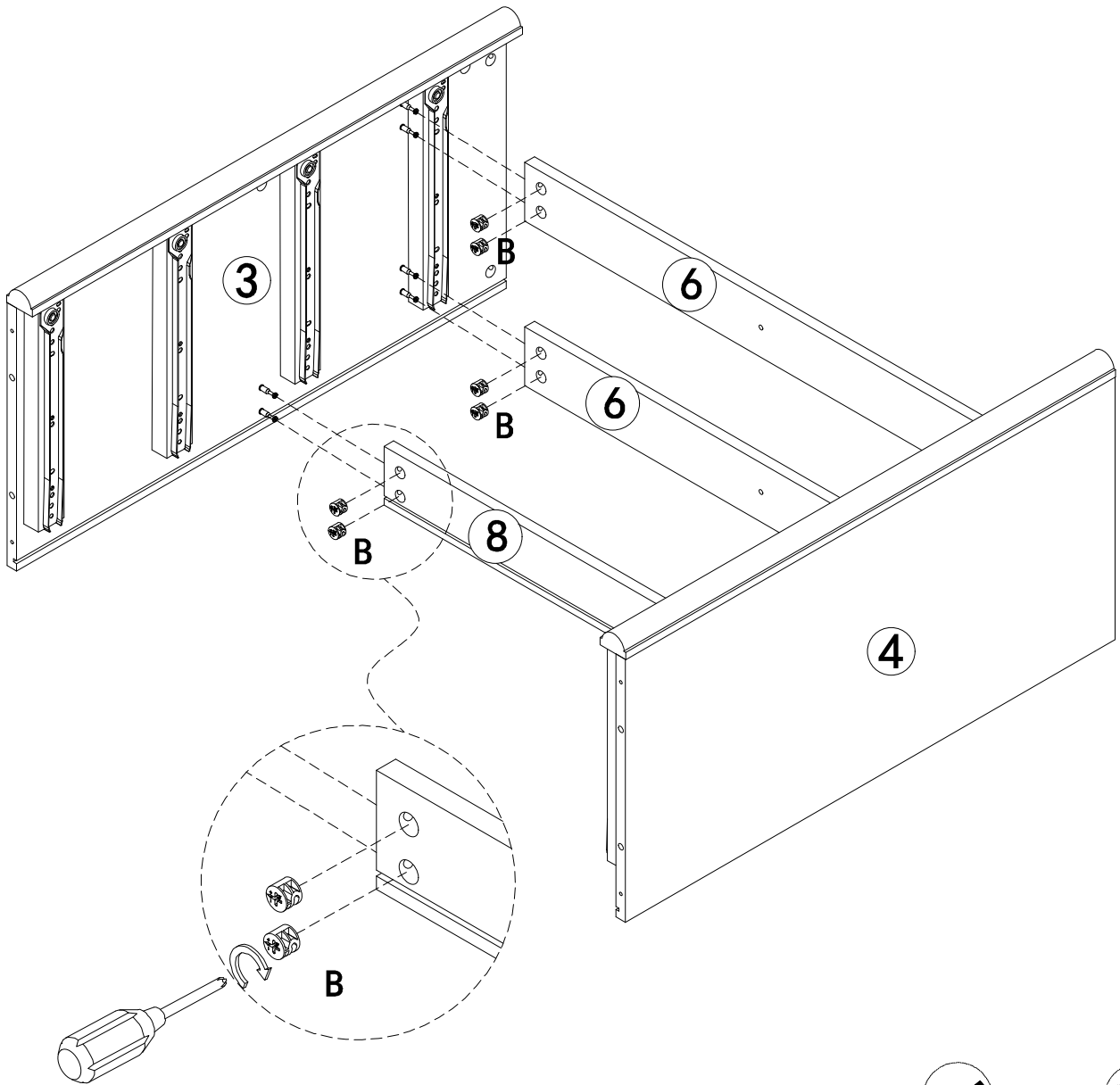





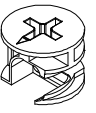
STEP 7

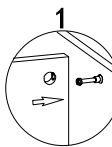
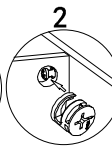
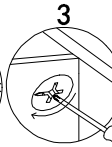


STEP 8

B
11.5mm

X 6PCS



	
 11.5mm B	 9.5mm C

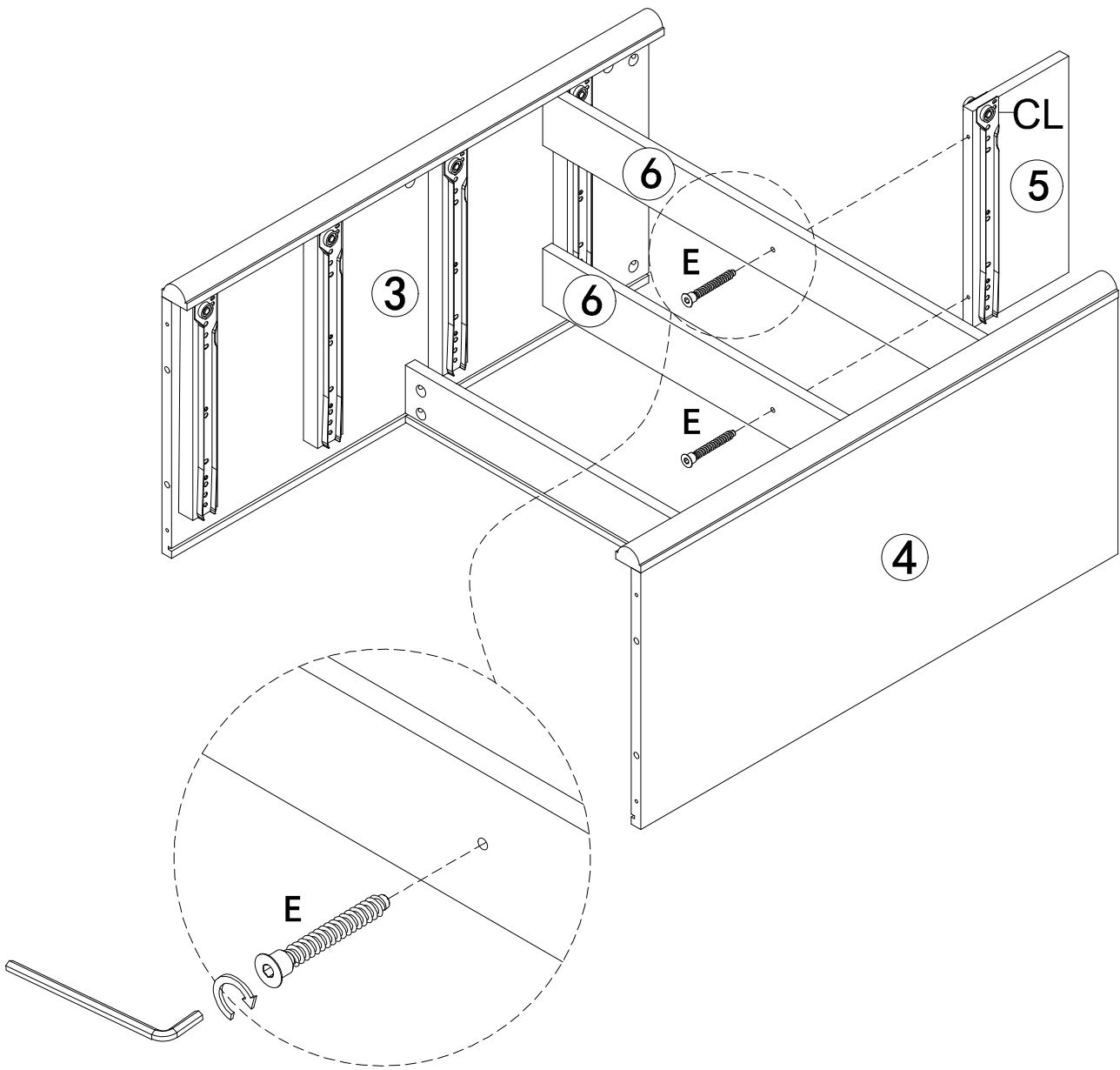
- 
- 
- 

STEP 9

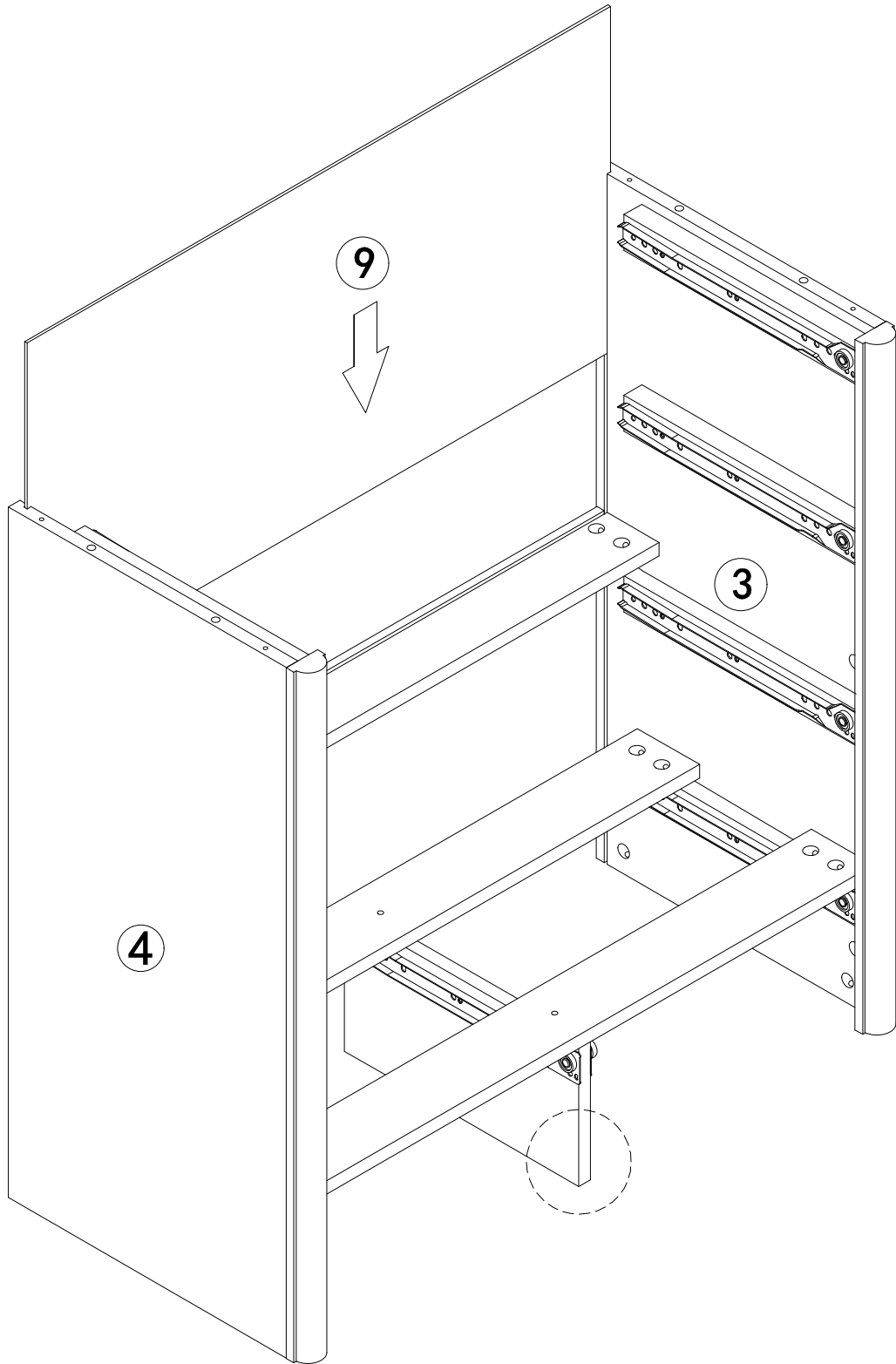
E



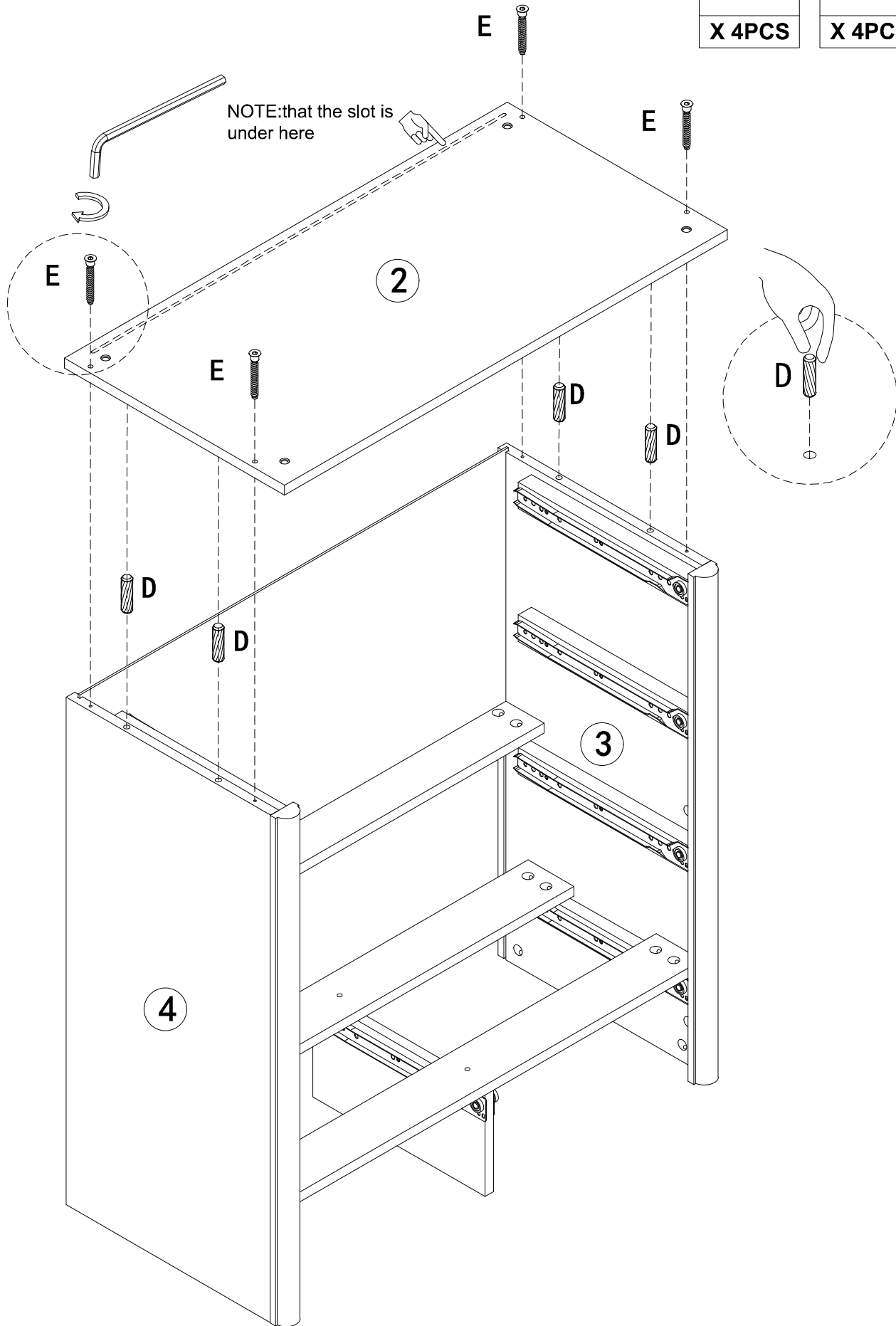
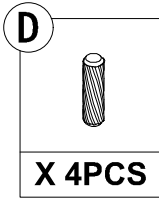
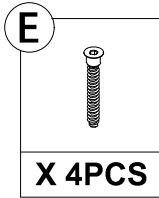
X 2PCS



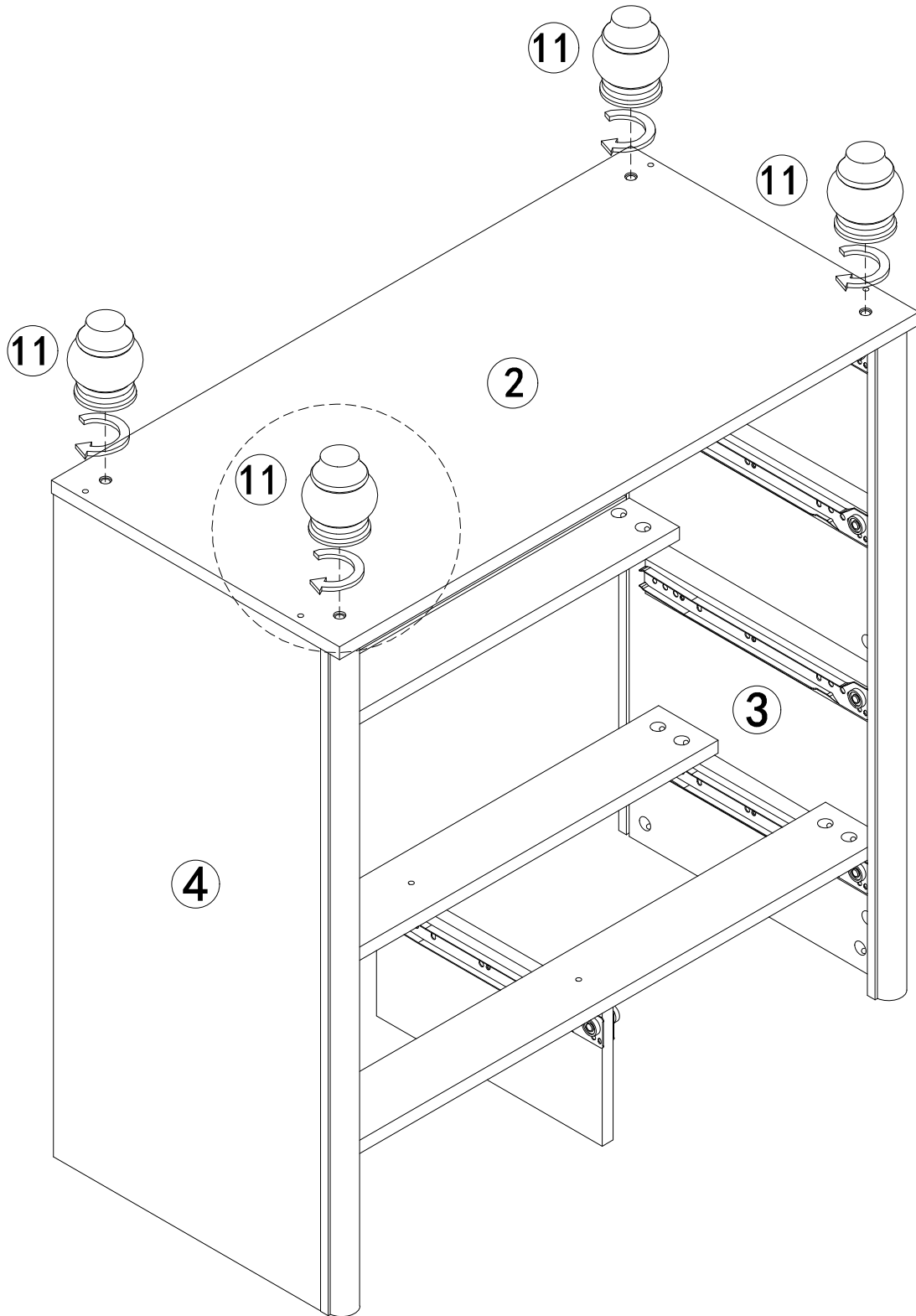
STEP 10



STEP 11

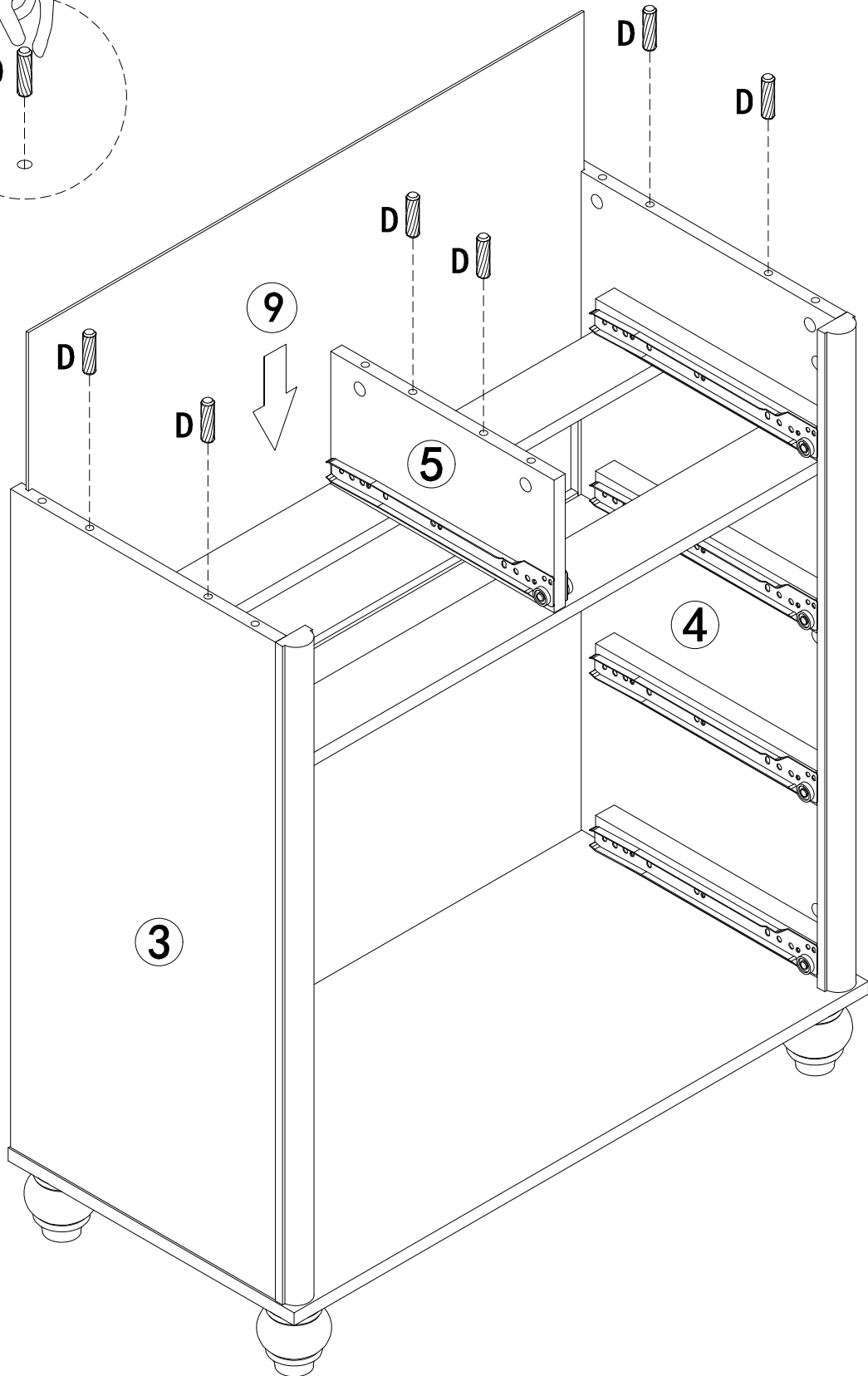
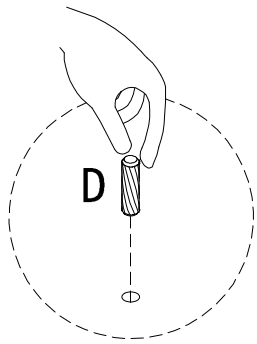


STEP 12

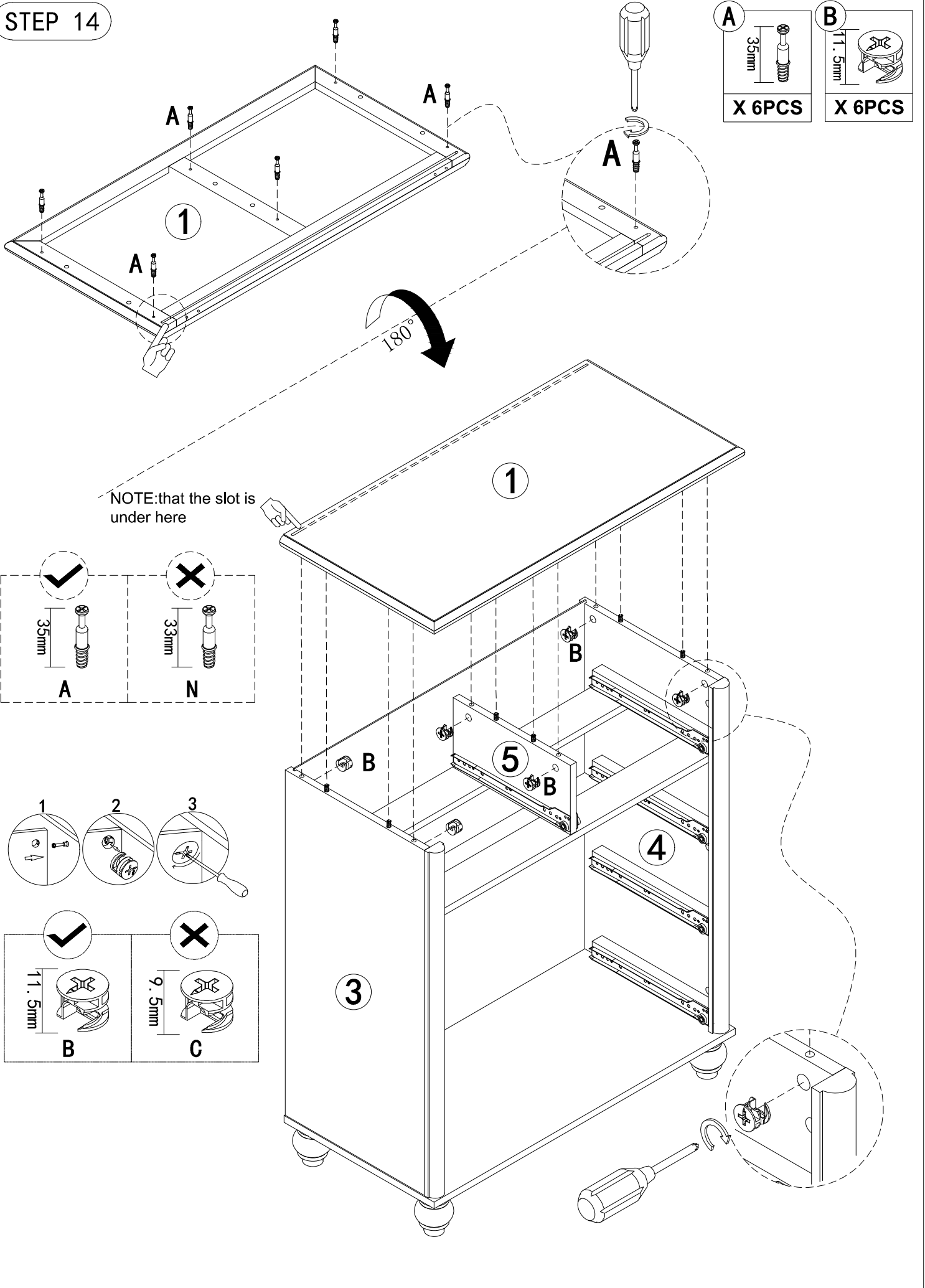


STEP 13


D
X 6PCS

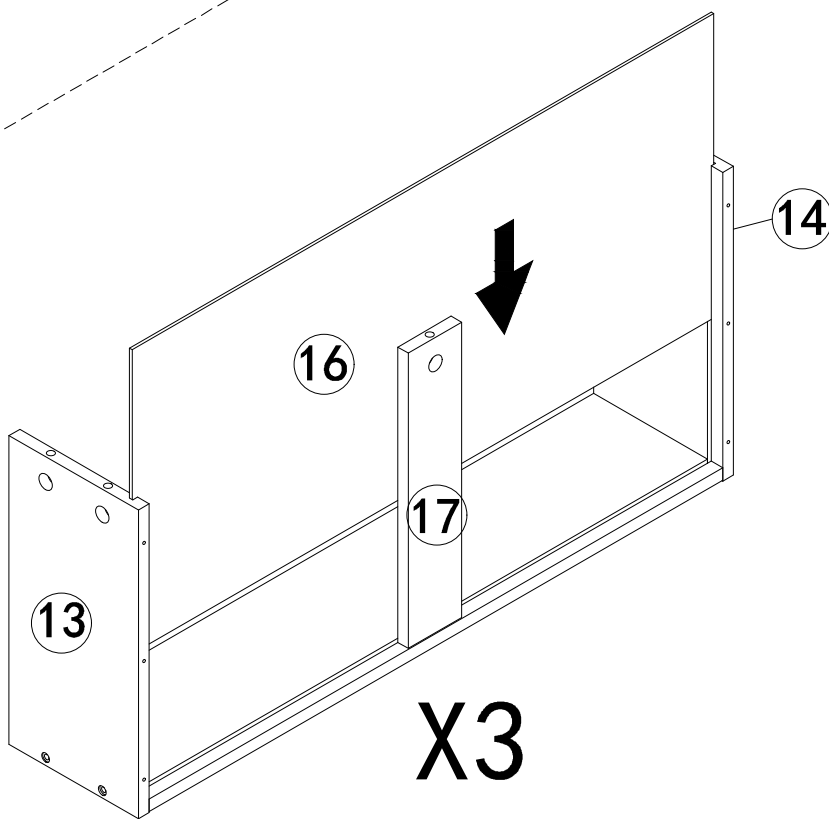
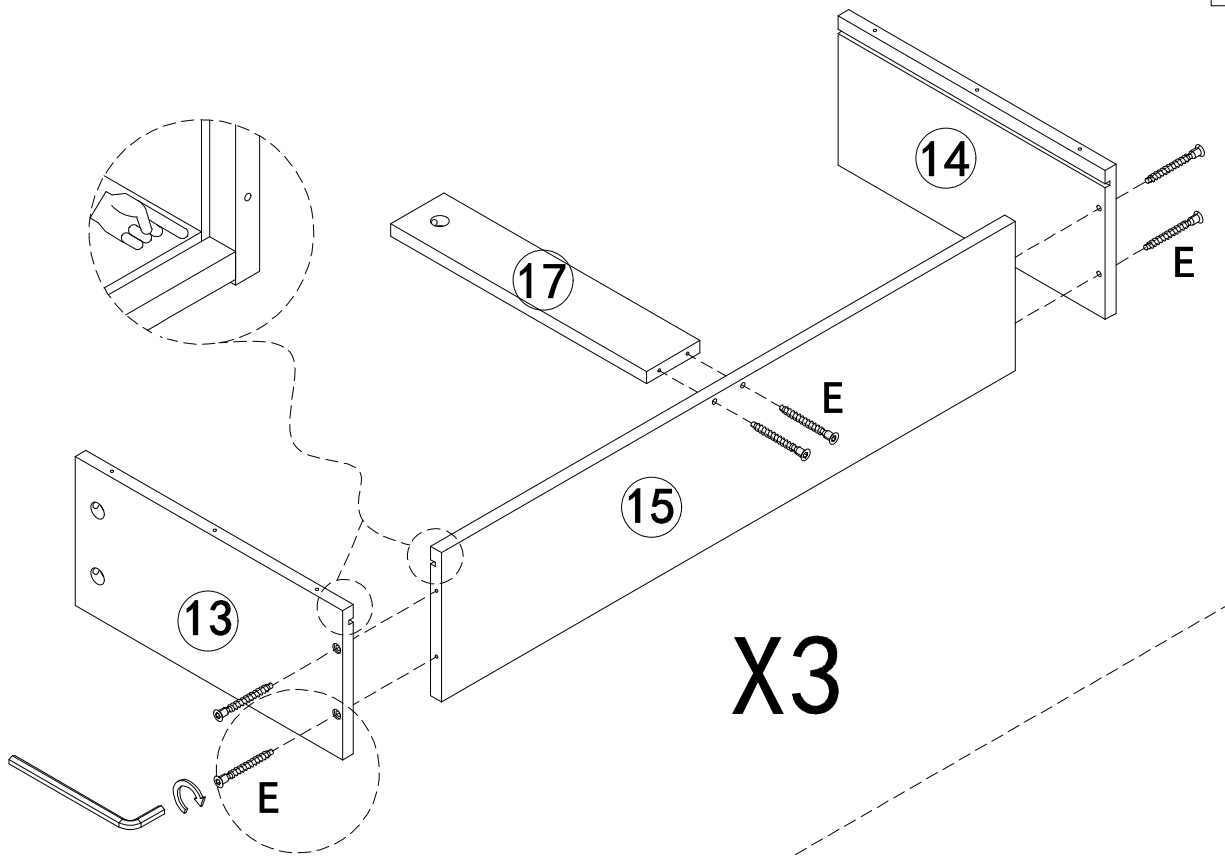


STEP 14

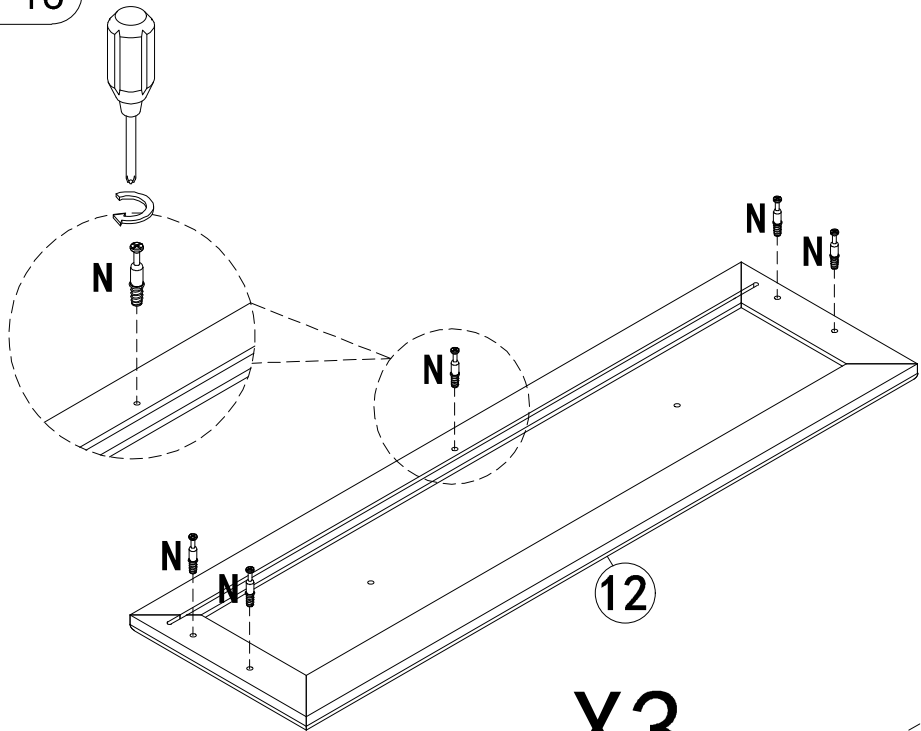
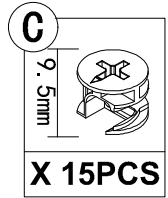
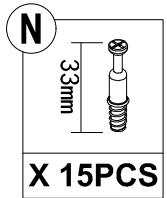


STEP 15

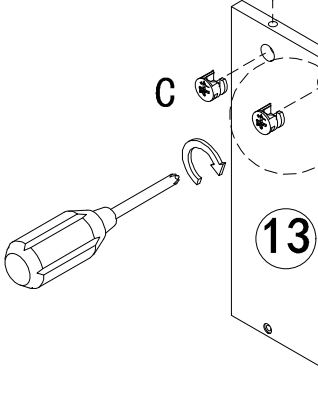
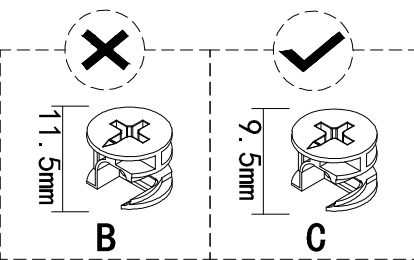
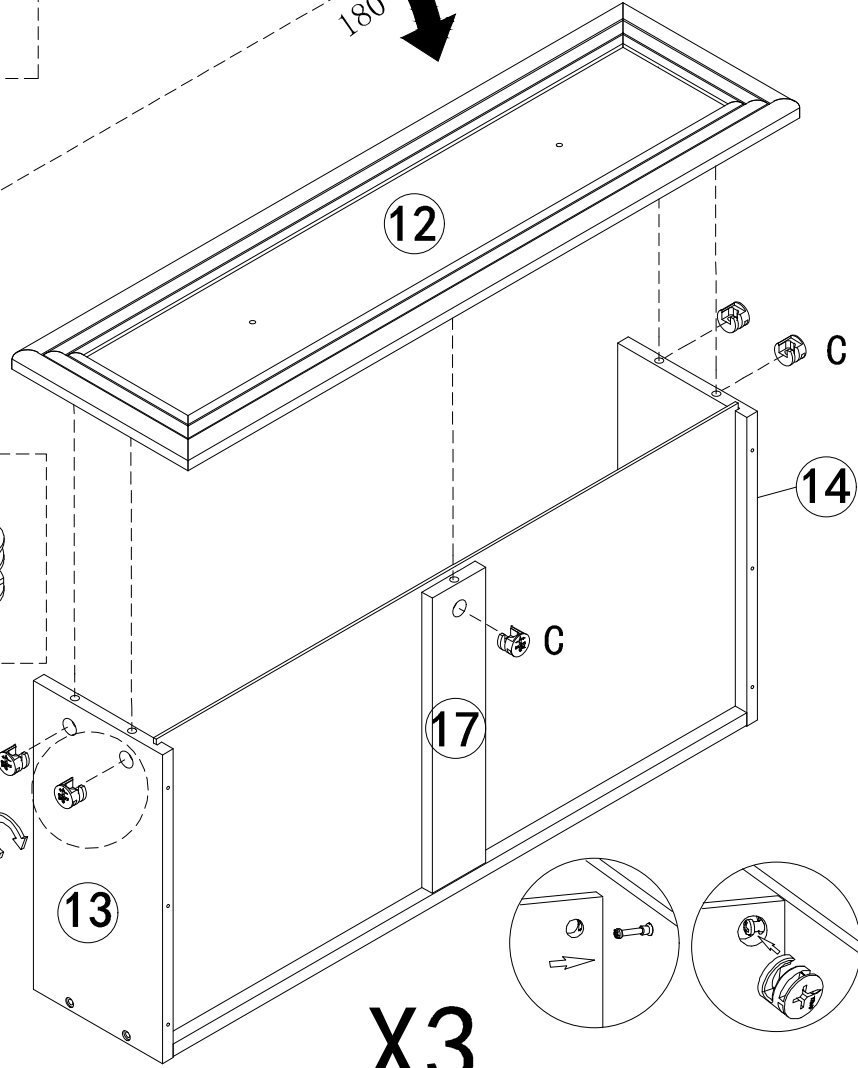
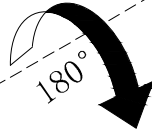
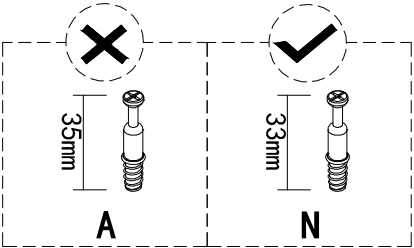
E

X 18PCS



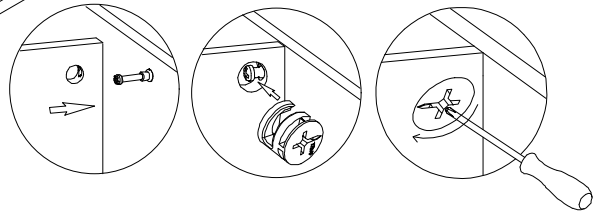
STEP 16



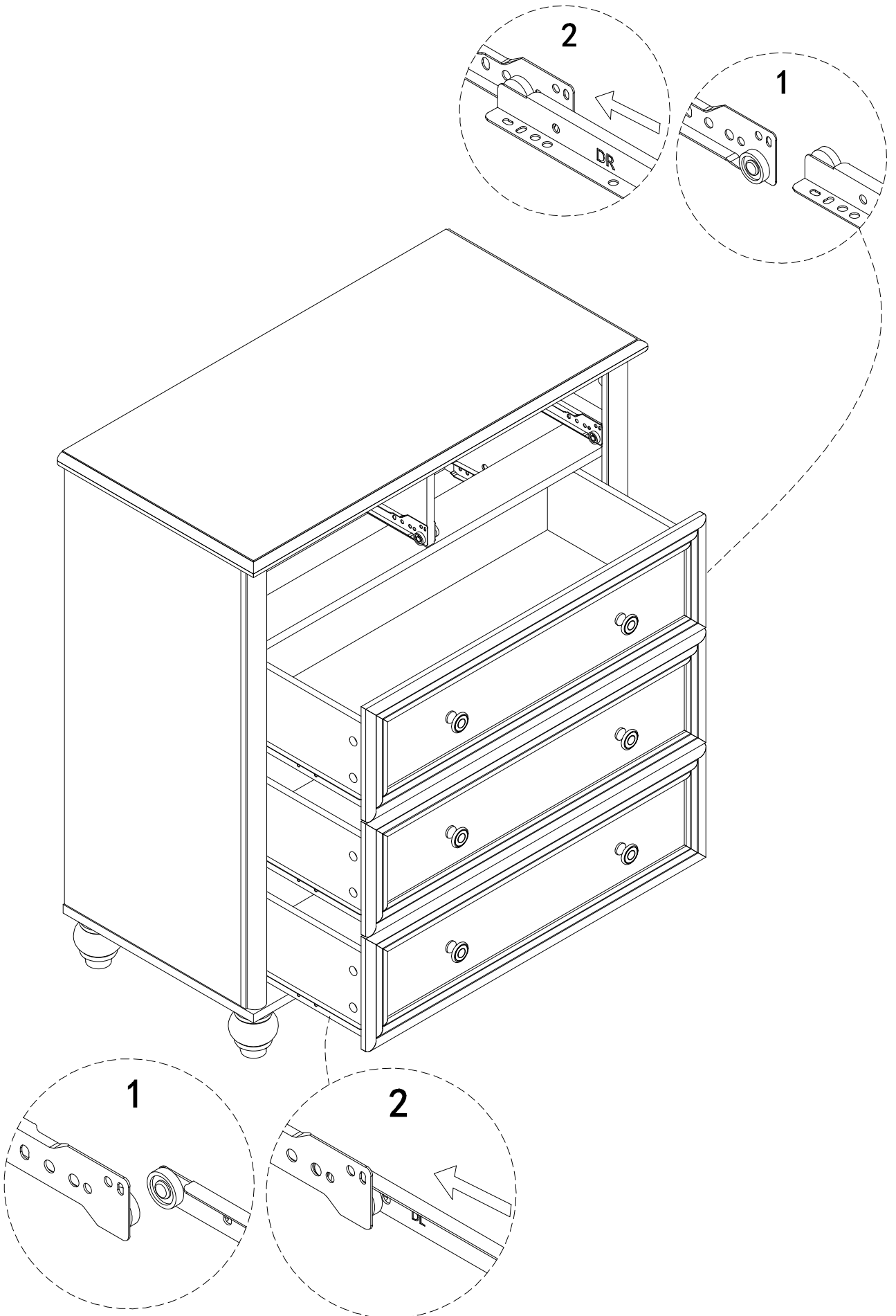
X3



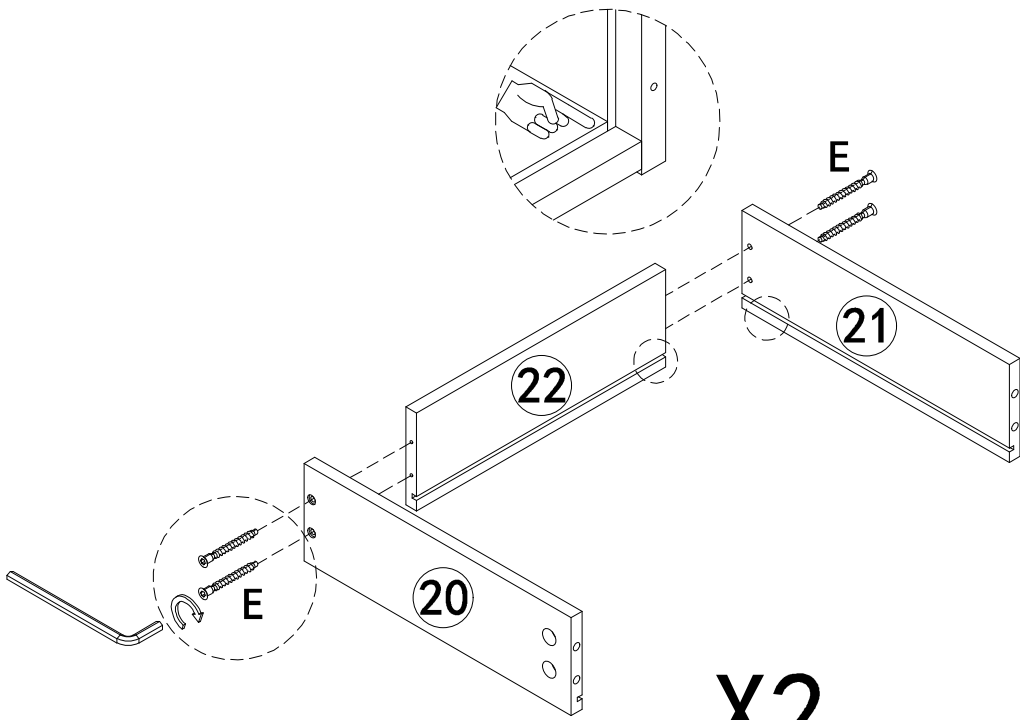
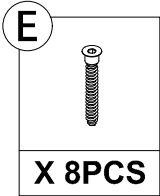
X3



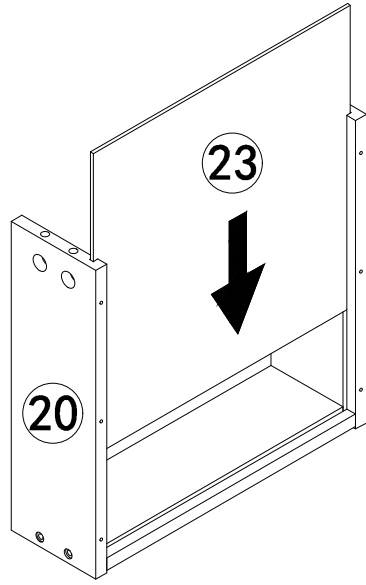
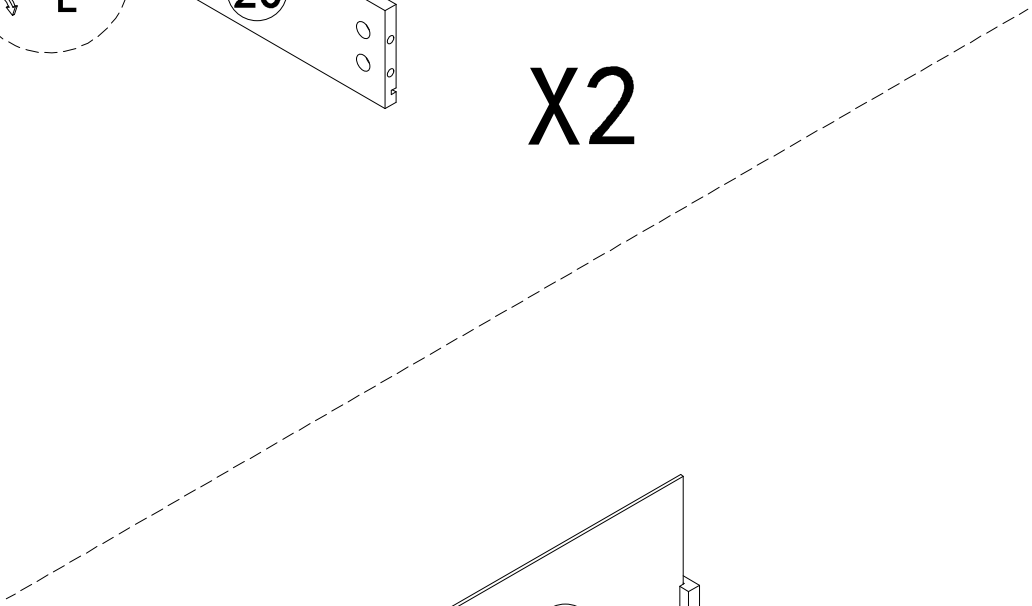
STEP 18



STEP 19

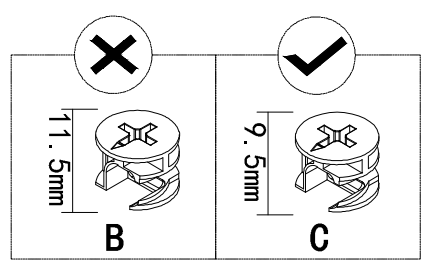
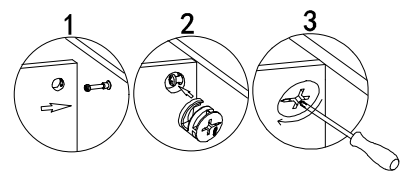
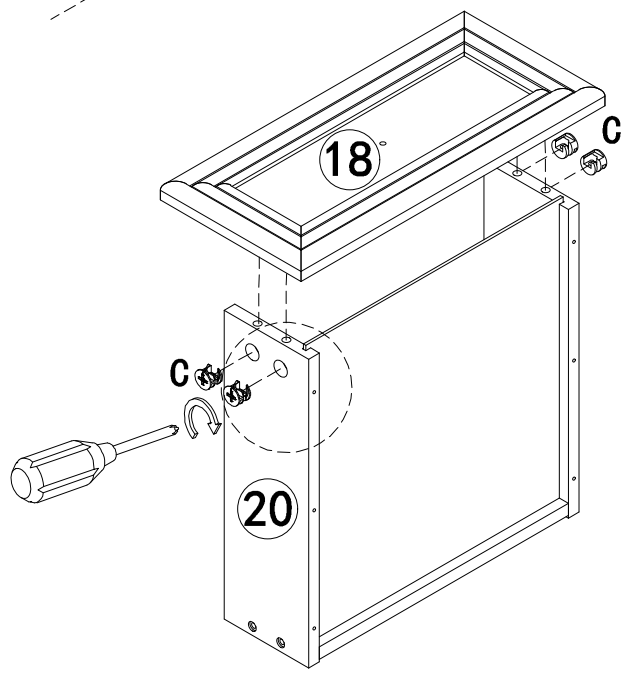
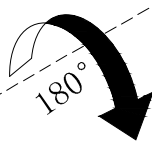
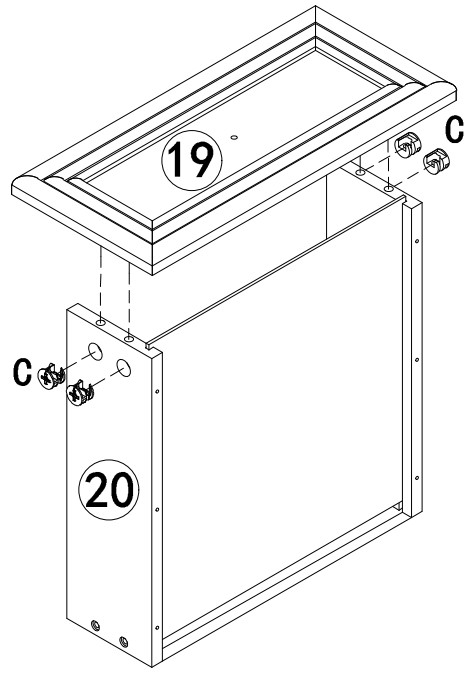
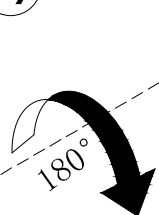
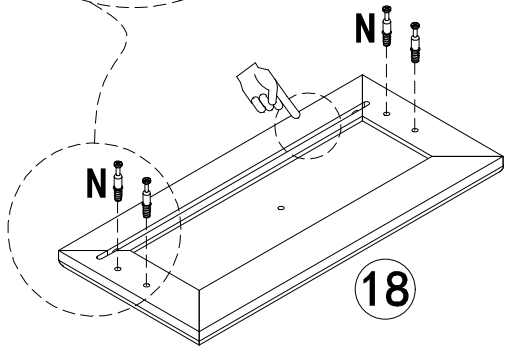
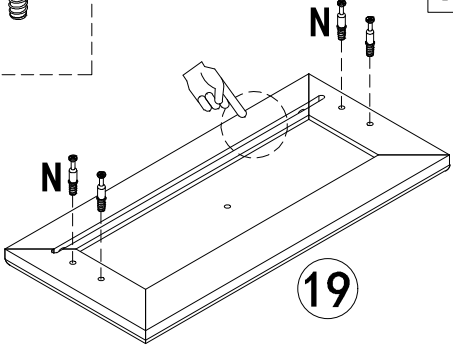
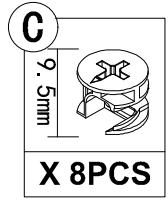
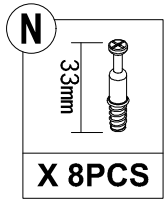
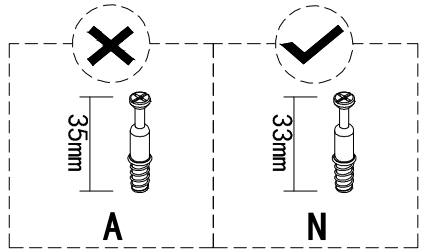
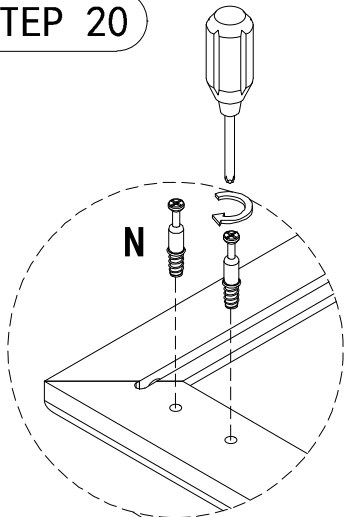


X2

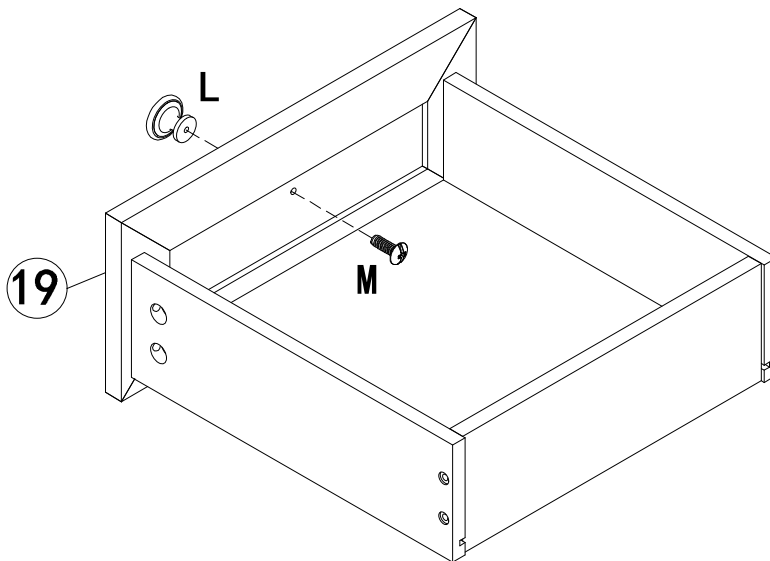
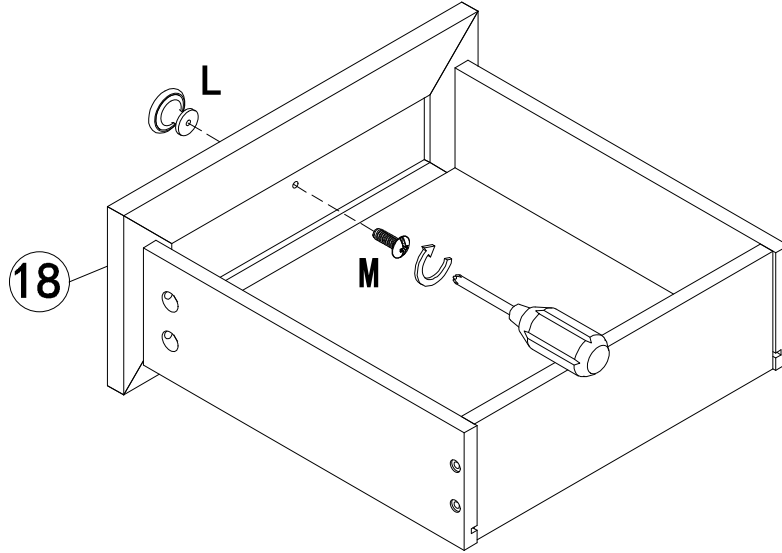
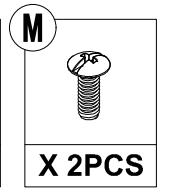
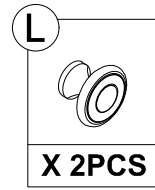


X2

STEP 20

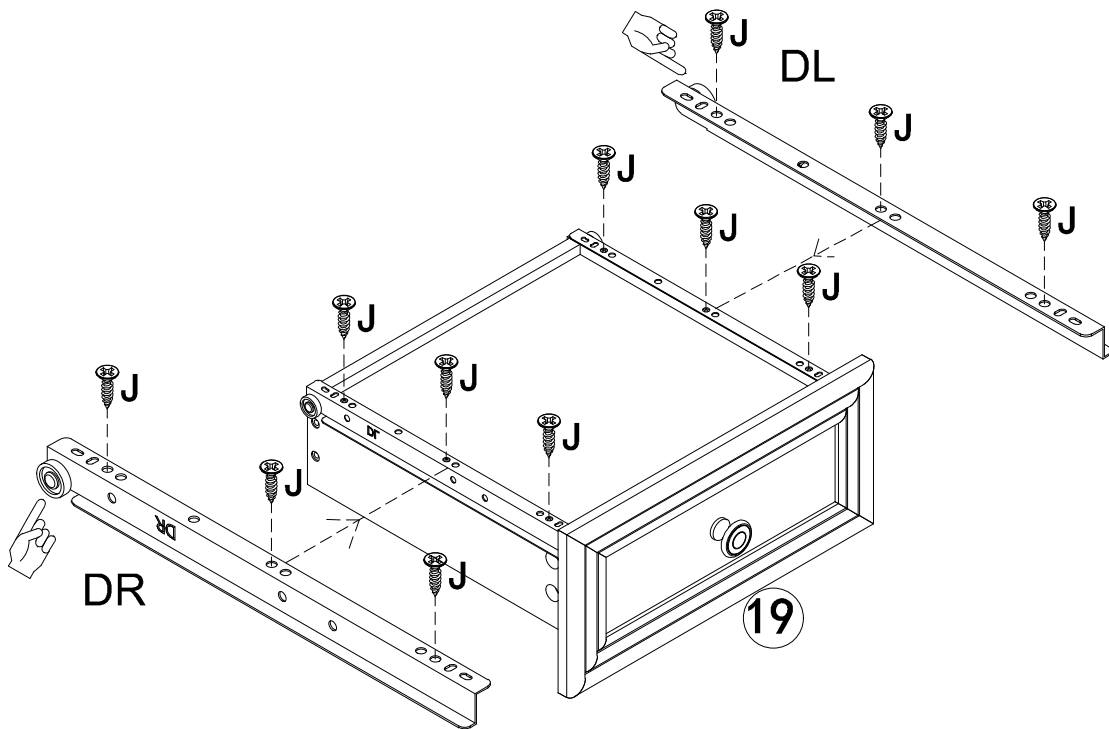
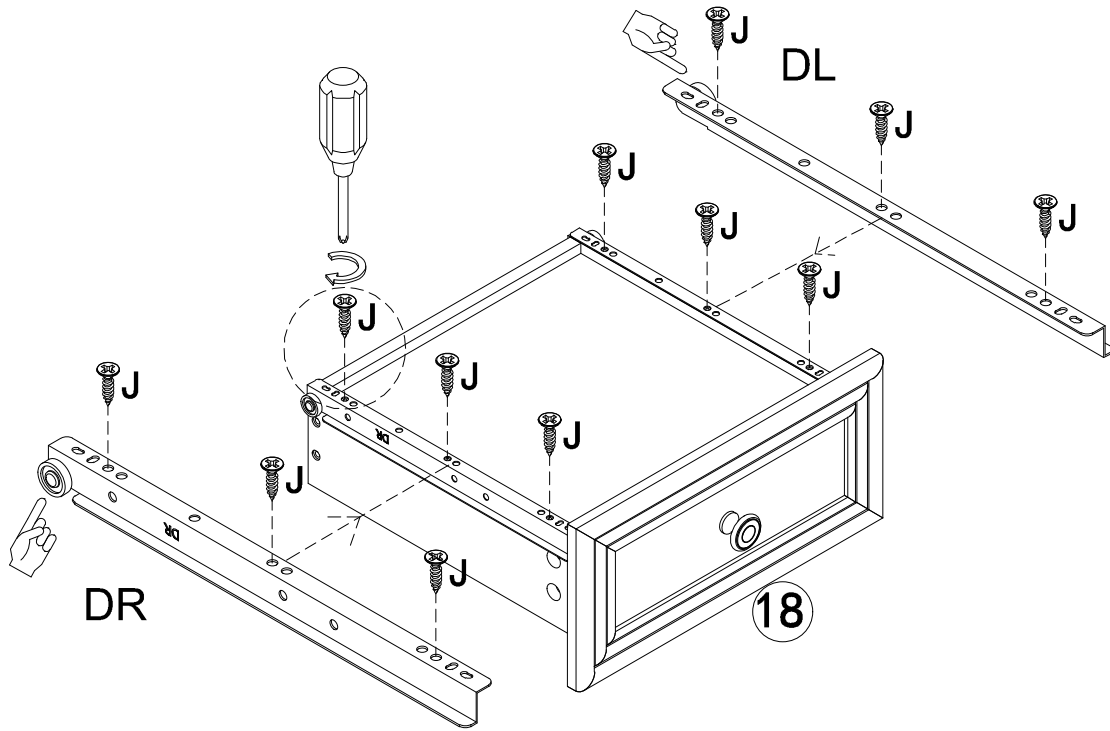


STEP 21

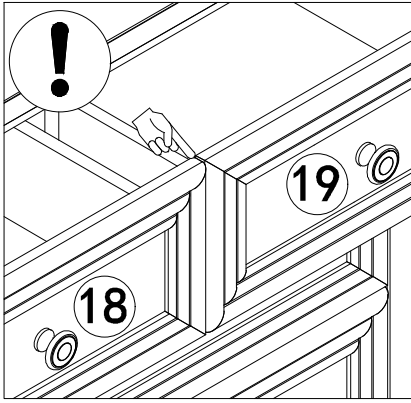


STEP 22

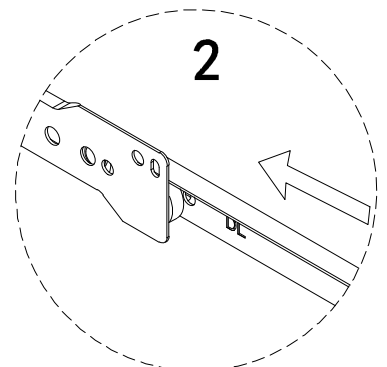
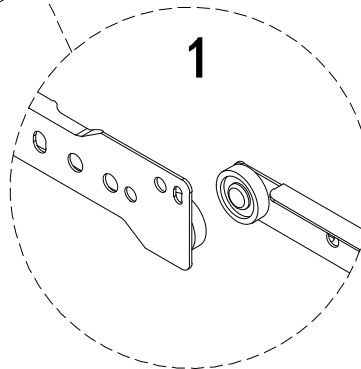
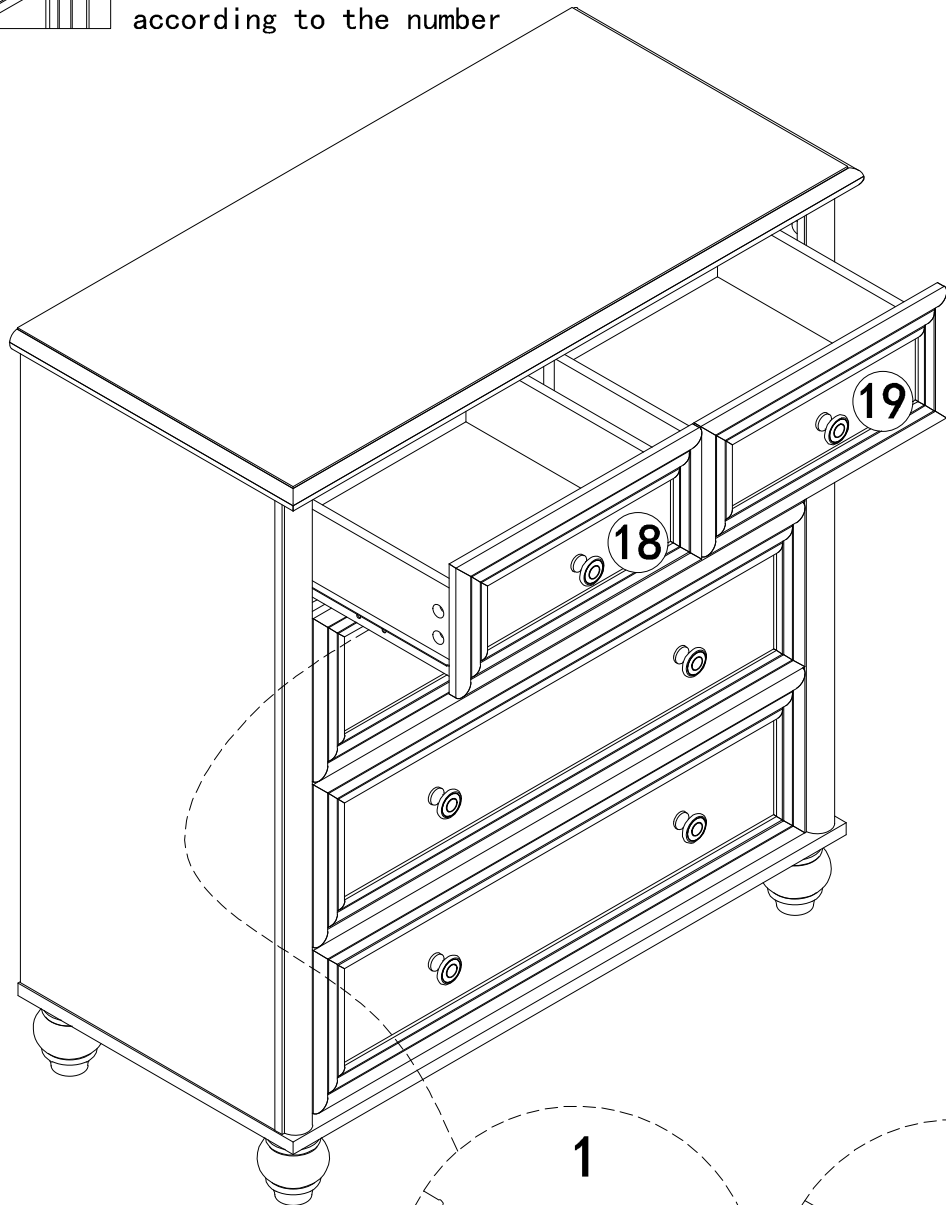
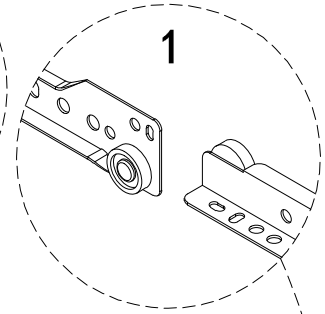
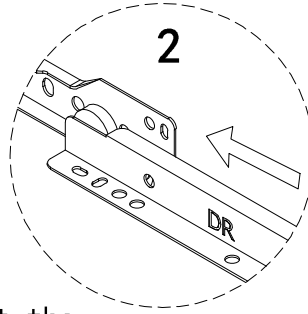
J
X 12PCS



STEP 23



Note: Please insert the drawer into the corresponding position according to the number



STEP 24

