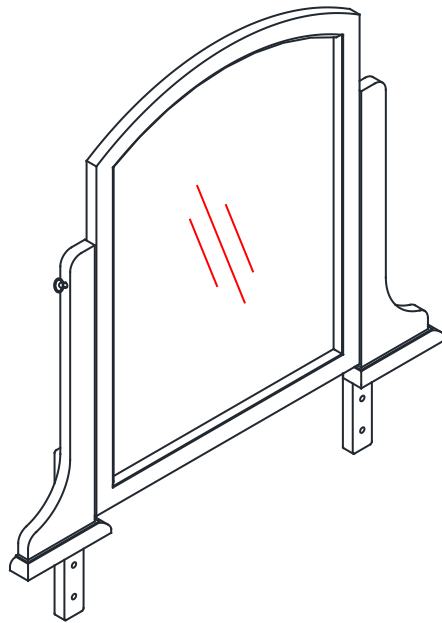
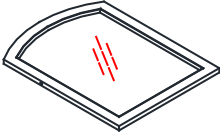
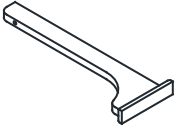
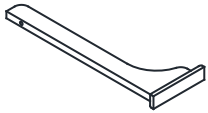





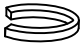


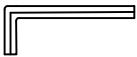
Vanity Mirror



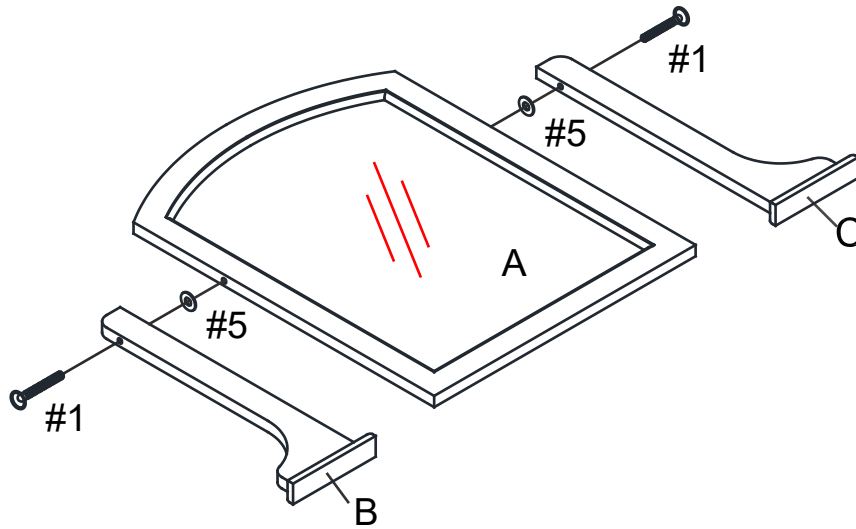
PART LIST

<div data-bbox="145 136 193 188" style="border: 1px solid black; padding: 2px;">A</div> 	<div data-bbox="405 136 453 188" style="border: 1px solid black; padding: 2px;">B</div> 	<div data-bbox="668 136 716 188" style="border: 1px solid black; padding: 2px;">C</div> 	<div data-bbox="932 136 979 188" style="border: 1px solid black; padding: 2px;">D</div> 
<p style="text-align: center;">Mirror 1 PC</p>	<p style="text-align: center;">Left Post 1 PC</p>	<p style="text-align: center;">Right Post 1 PC</p>	<p style="text-align: center;">Support Rail 2 PCS</p>

HARDWARE LIST

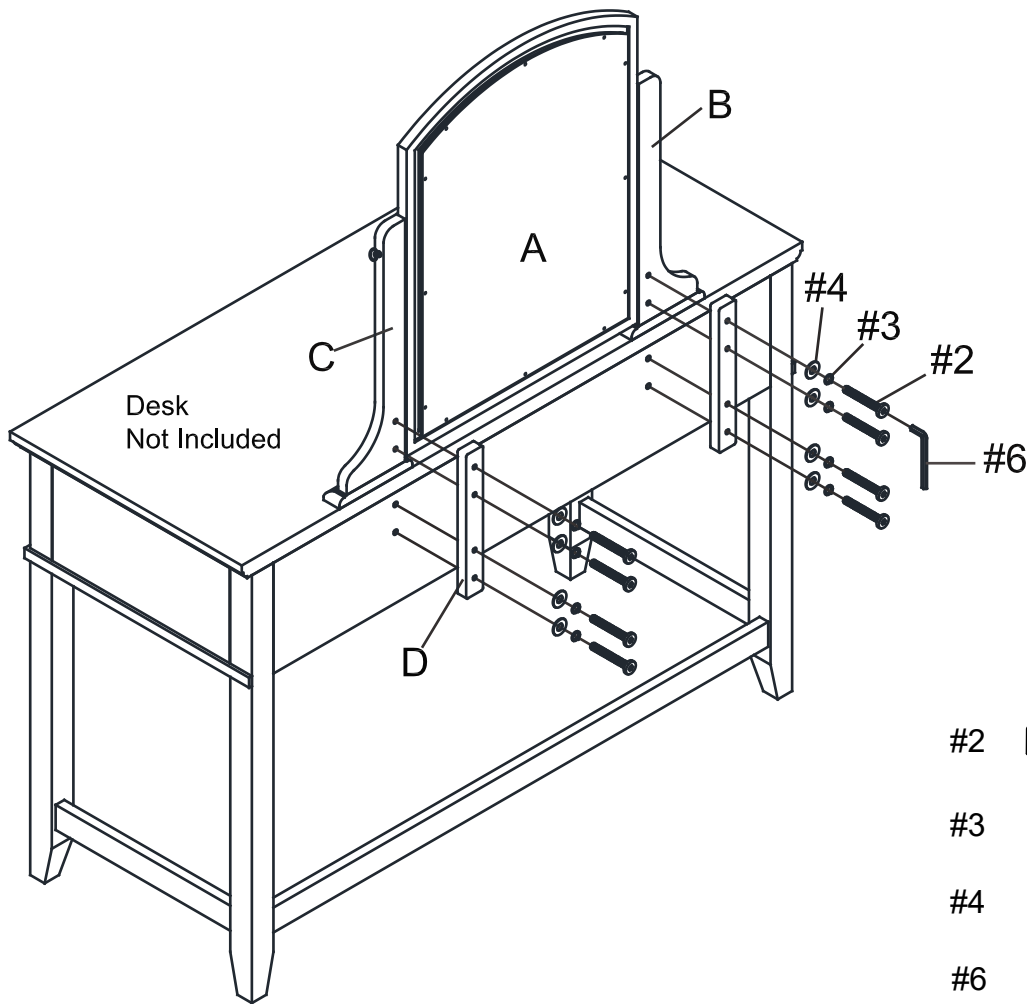
<div data-bbox="145 1077 193 1128" style="border: 1px solid black; padding: 2px;">#1</div> 	<div data-bbox="405 1077 453 1128" style="border: 1px solid black; padding: 2px;">#2</div>  <p style="text-align: center;">1-1/4" x Ø1/4" x D12</p>	<div data-bbox="668 1077 716 1128" style="border: 1px solid black; padding: 2px;">#3</div> 	<div data-bbox="932 1077 979 1128" style="border: 1px solid black; padding: 2px;">#4</div> 	<div data-bbox="1195 1077 1243 1128" style="border: 1px solid black; padding: 2px;">#5</div> 
<p style="text-align: center;">Mirror Bolt 2 PCS</p>	<p style="text-align: center;">Short Bolt 8 PCS (Extra 1)</p>	<p style="text-align: center;">Spring Washer 8 PCS (Extra 1)</p>	<p style="text-align: center;">Flat Washer 8 PCS (Extra 1)</p>	<p style="text-align: center;">Plastic Washer 2 PCS</p>
<div data-bbox="145 1473 193 1525" style="border: 1px solid black; padding: 2px;">#6</div> 				
<p style="text-align: center;">Allen Wrench 1 PC</p>				




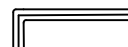
Step 1. Carefully lay mirror (part A) upside down on soft flat surface, such as carpet, as shown below. Attach left post (part B) and right post (part C) to mirror (part A) using mirror bolts (part #1) and plastic washers (part #5).



- | | | |
|----|---|-----|
| #1 |  | x 2 |
| #5 |  | x 2 |

Step 2. Attach support rails (part D) to assembled unit (parts A, B & C) and assembled desk (*Not Included) using short bolts (part #2), spring washers (part #3), flat washers (part #4) and allen wrench (part #6).



- | | | |
|----|---|-----|
| #2 |  | x 8 |
| #3 |  | x 8 |
| #4 |  | x 8 |
| #6 |  | x 1 |