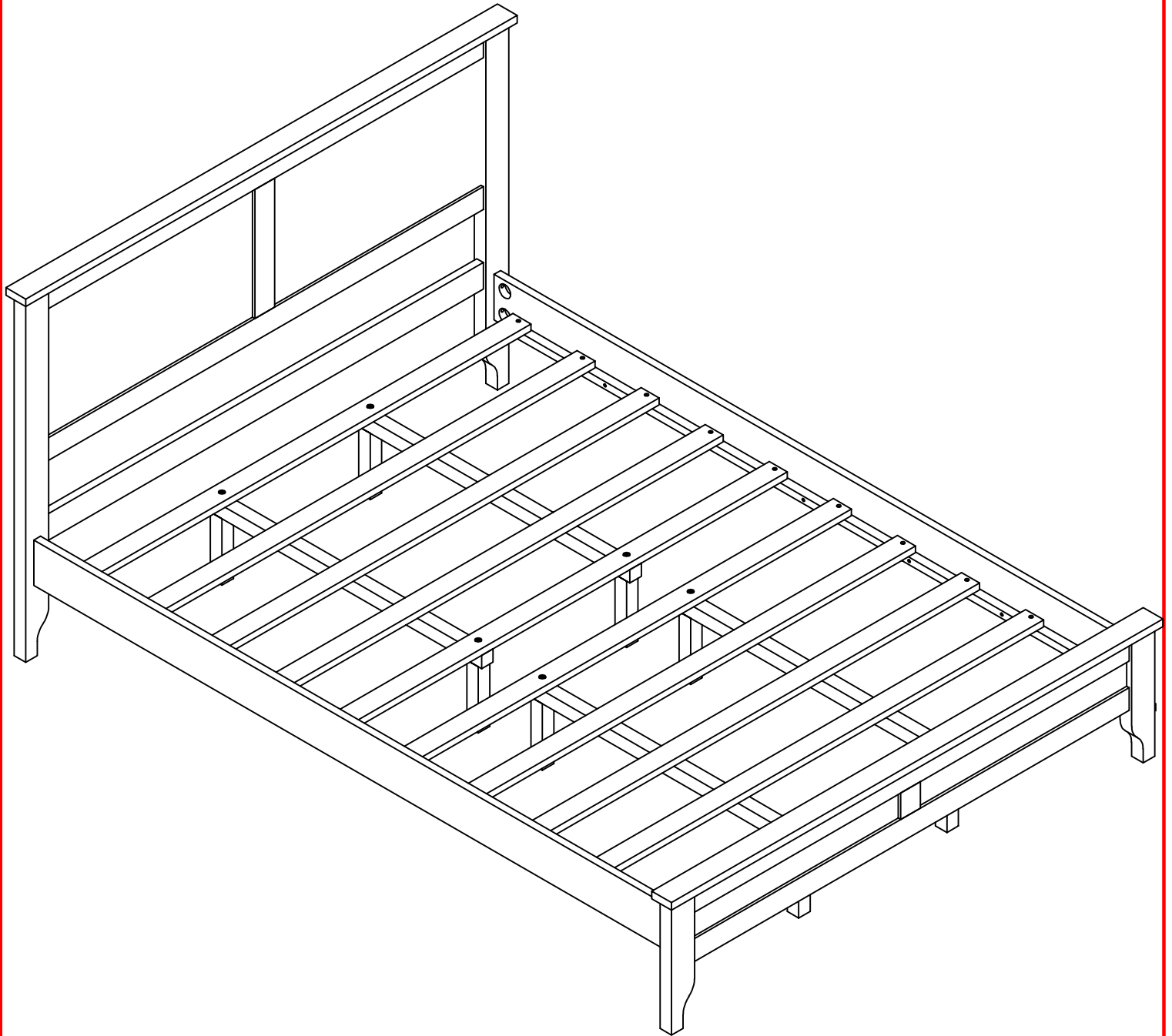
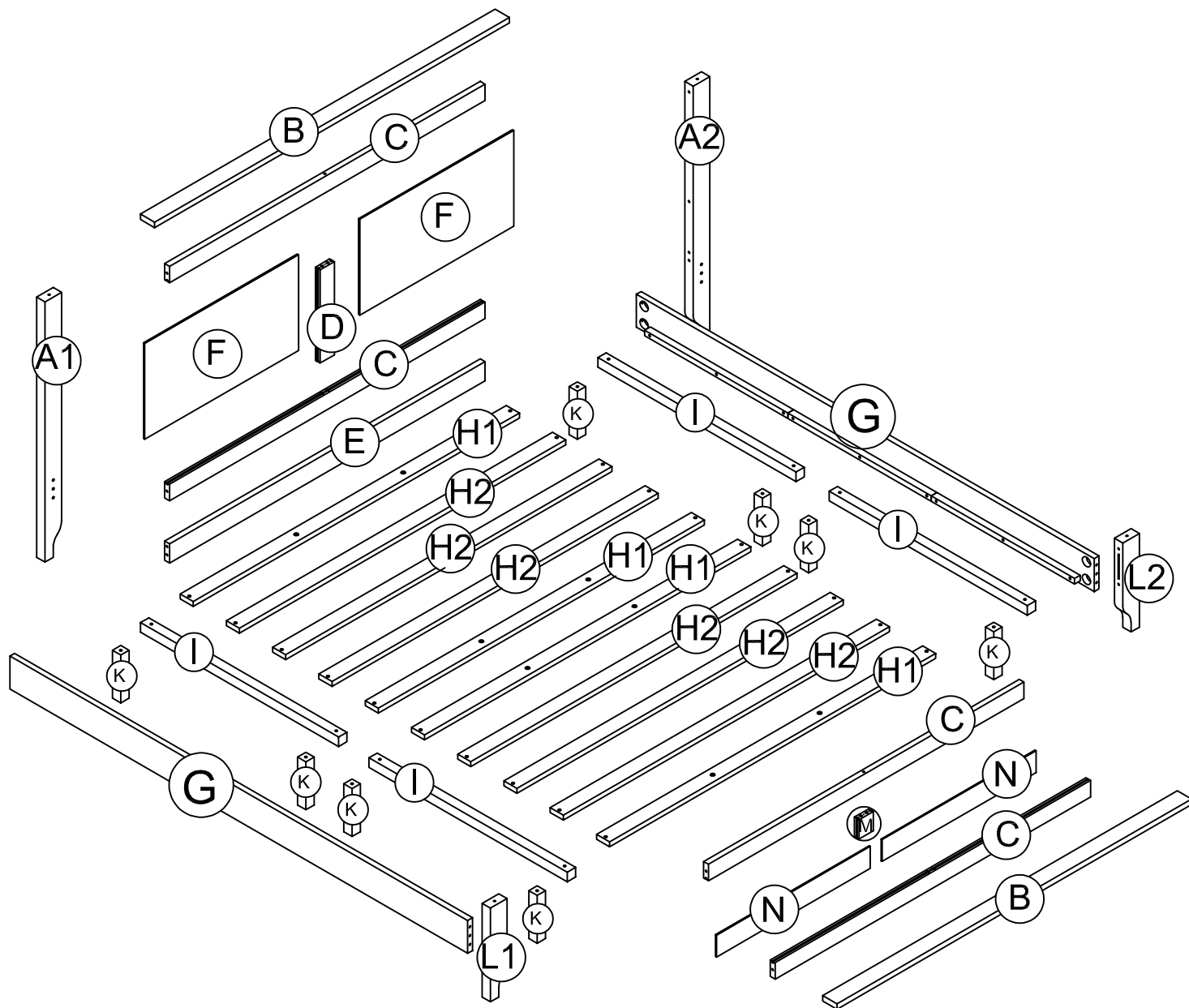


ASSEMBLY INSTRUCTION

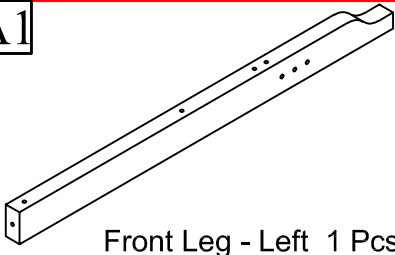


ASSEMBLY INSTRUCTION



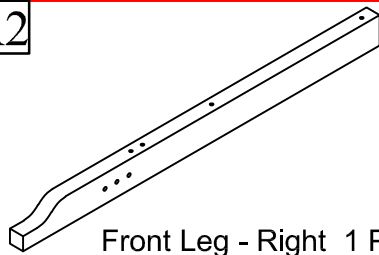
Part List

A1



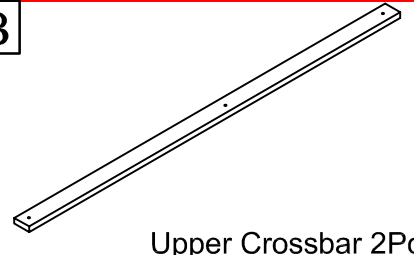
Front Leg - Left 1 Pcs

A2



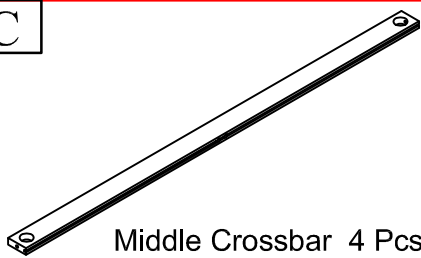
Front Leg - Right 1 Pcs

B



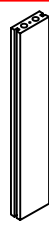
Upper Crossbar 2Pcs

C



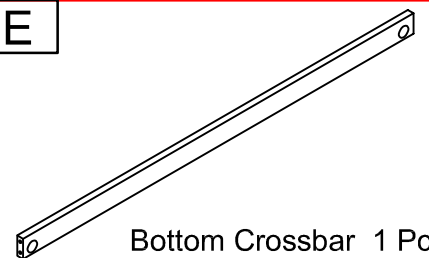
Middle Crossbar 4 Pcs

D



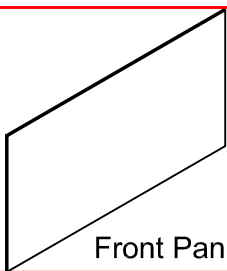
Front CrossBar 1Pcs

E



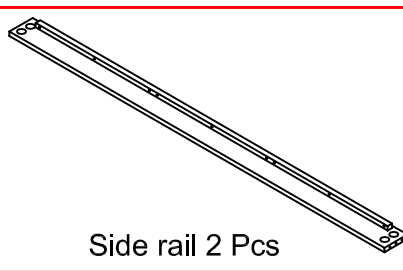
Bottom Crossbar 1 Pcs

F



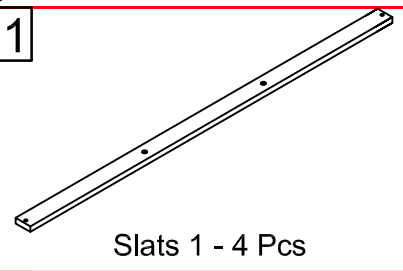
Front Pannel 2Pcs

G



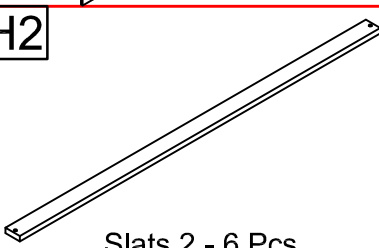
Side rail 2 Pcs

H1



Slats 1 - 4 Pcs

H2



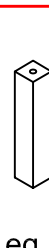
Slats 2 - 6 Pcs

I



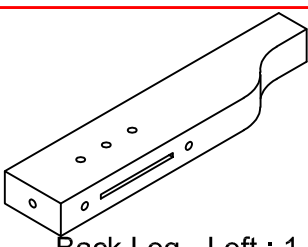
Support Slats - 4 Pcs

K



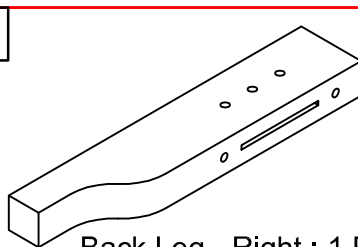
Support Leg - 8 Pcs

L1



Back Leg - Left : 1 Pcs

L2



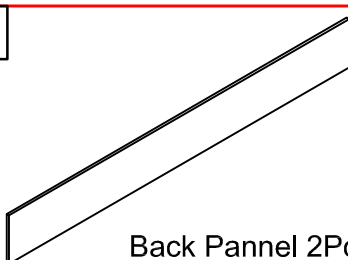
Back Leg - Right : 1 Pcs

M

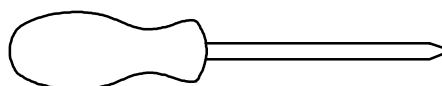


Back CrossBar 1Pcs

N



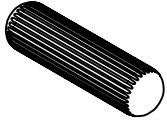
Back Pannel 2Pcs



Assembly Tools Required (Not Included)

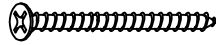
Hardware List

1



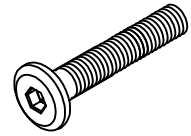
Ø8X30
Wooden Pegs 14 Pcs

2



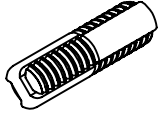
Screw M4x65 4Pcs

3



Ø1/4 x 30
Hex - Head Bolts 18Pcs

4



Link Latch 6 Pcs

5



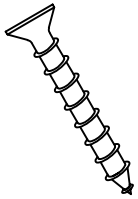
Iron Steel - 6pc

6



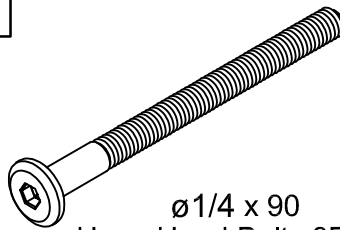
Screw M4x15 12Pcs

7



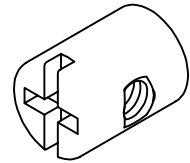
Screw M4x30 20Pcs

8



Ø1/4 x 90
Hex - Head Bolts 8Pcs

9



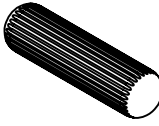

Ø1/4" x 11.5 x 15 mm
Horizontal-Hole bolts 8pcs

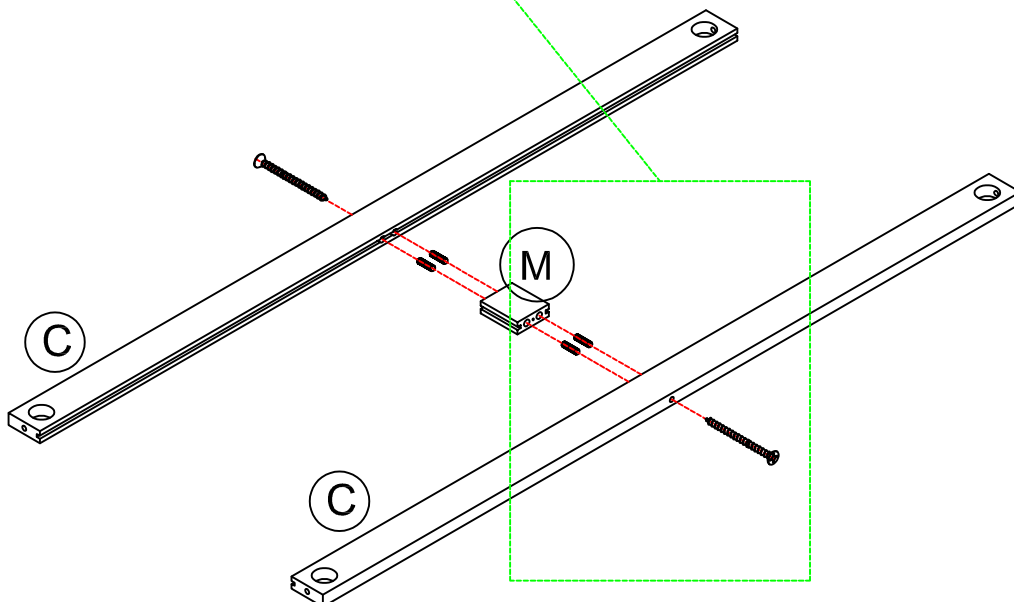
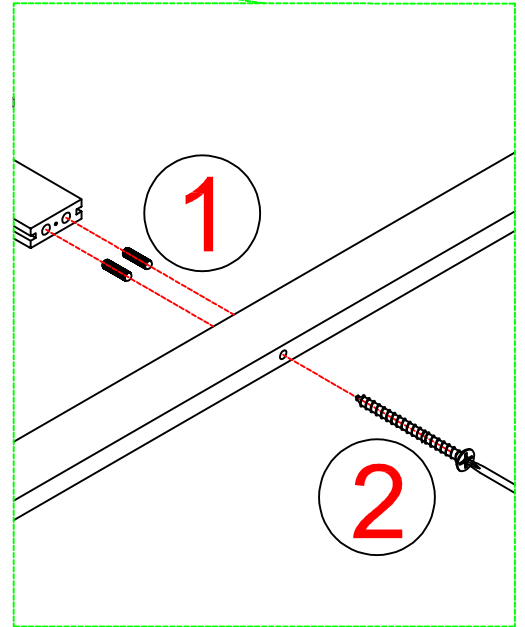
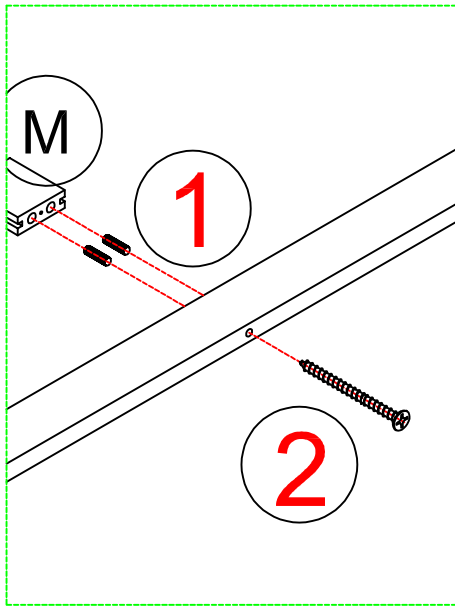
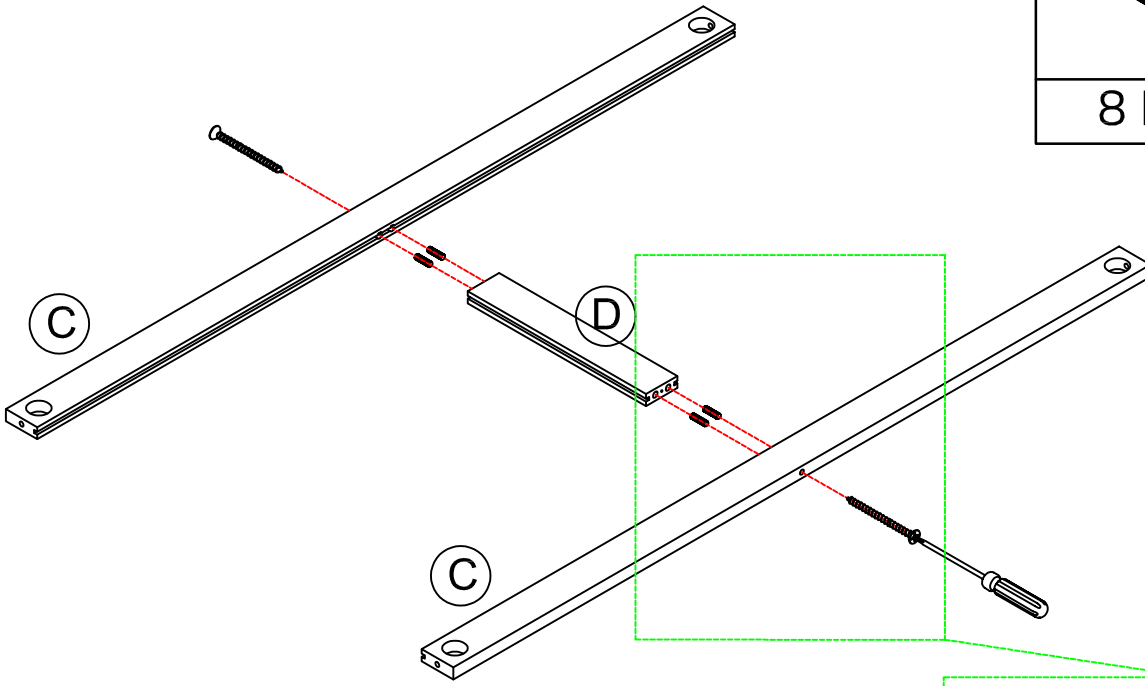
10



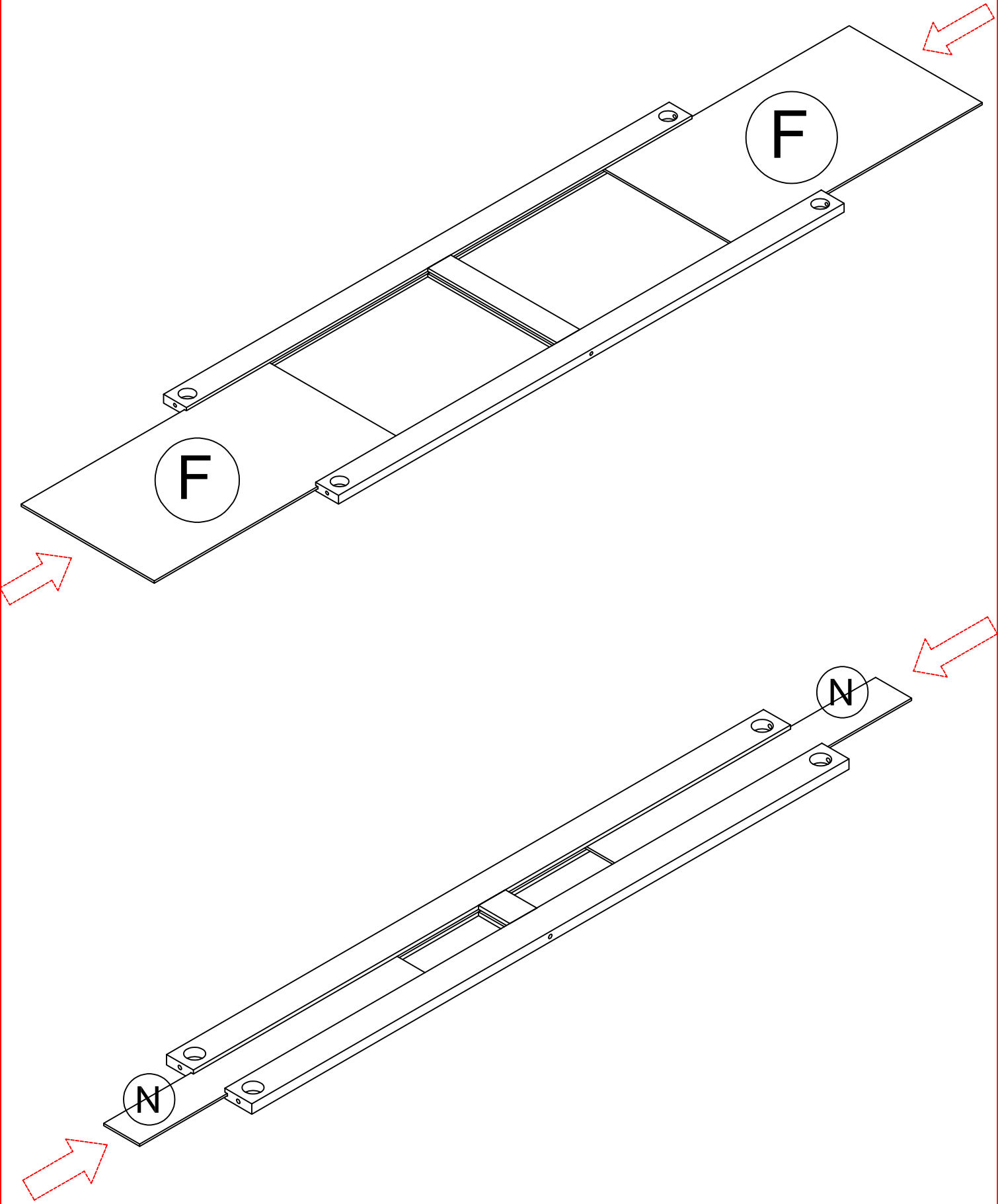
Allen Key 1pc

STEP 1-1: Following below illustration:

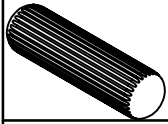
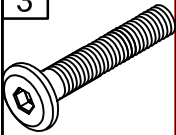
1	2
	
8 Pcs	4 Pcs

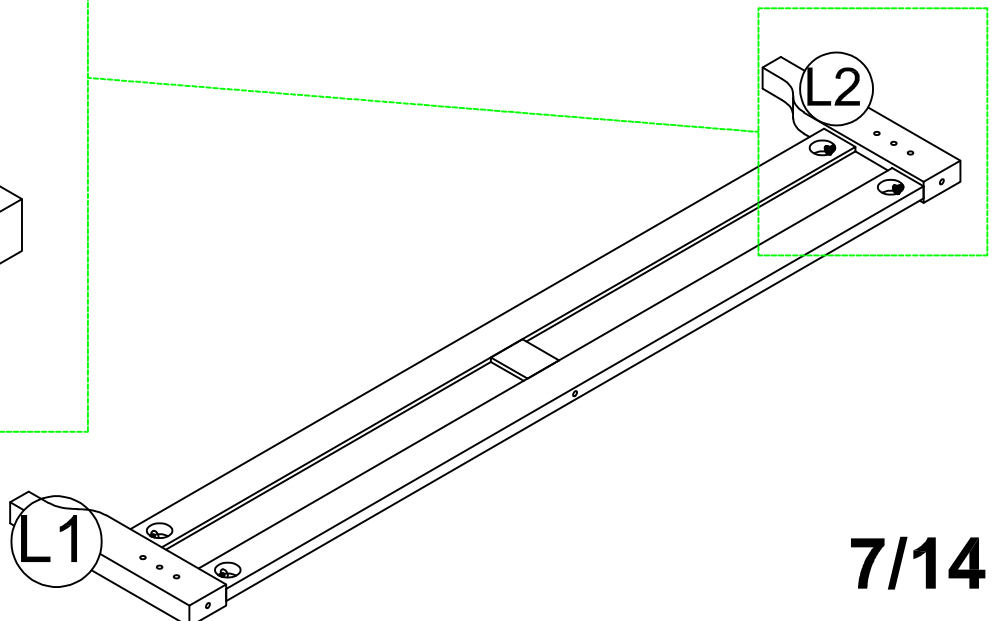
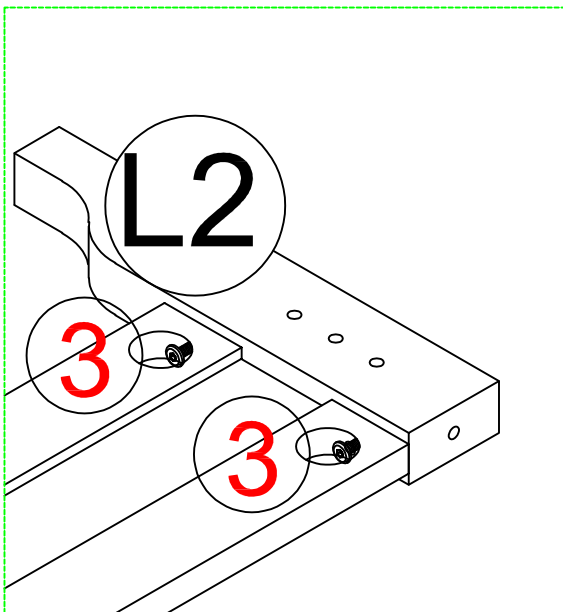
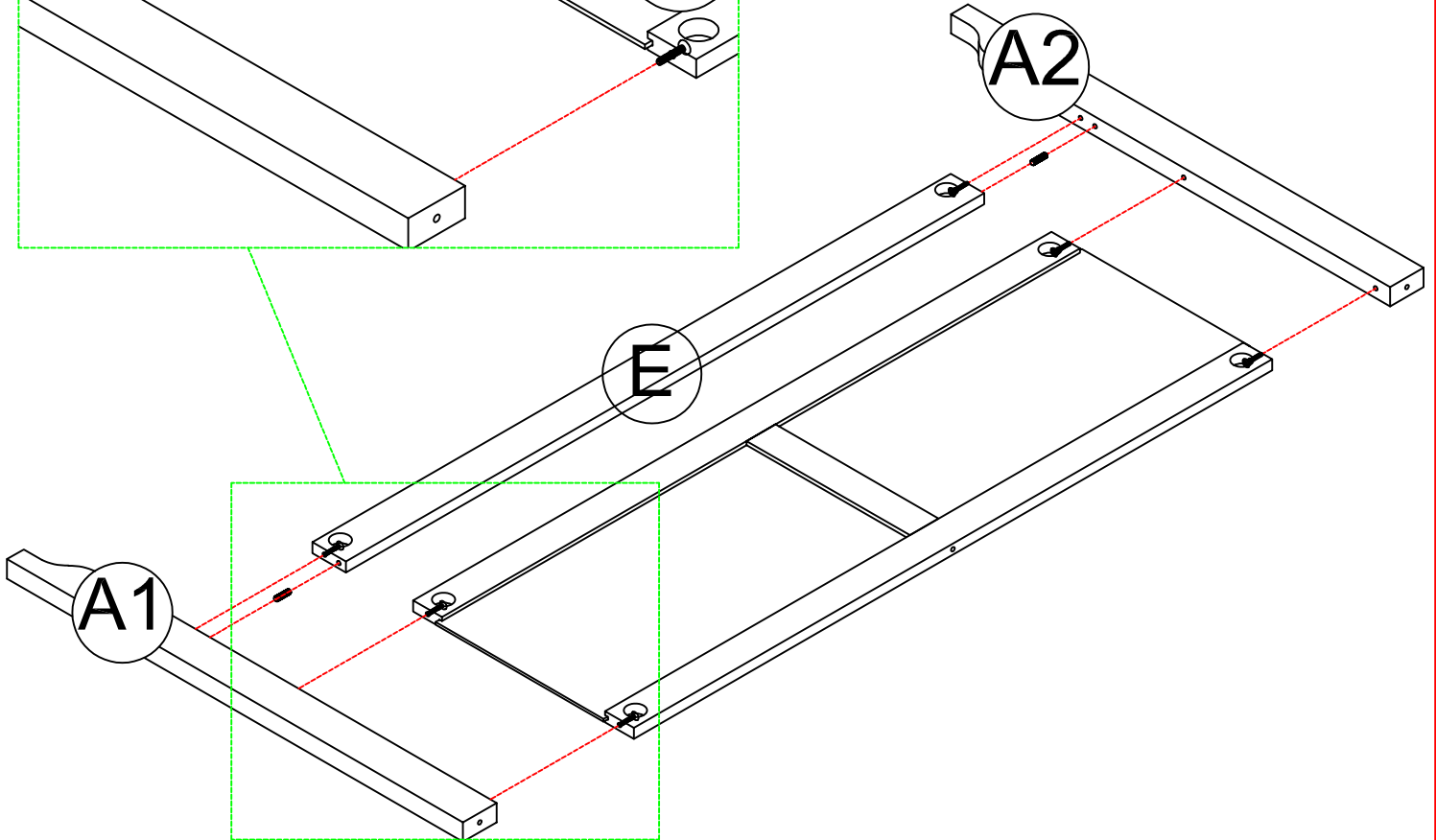
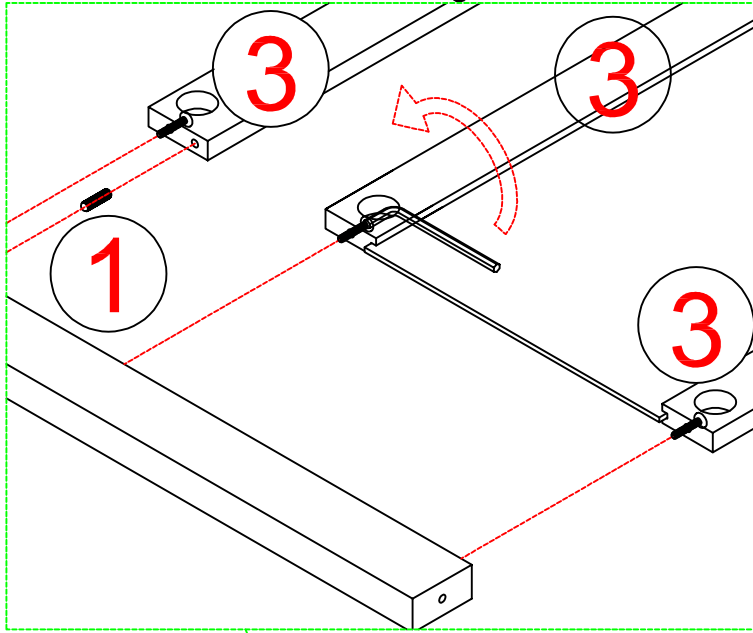


STEP 1-2: Following below illustration:

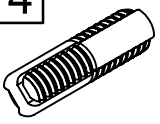


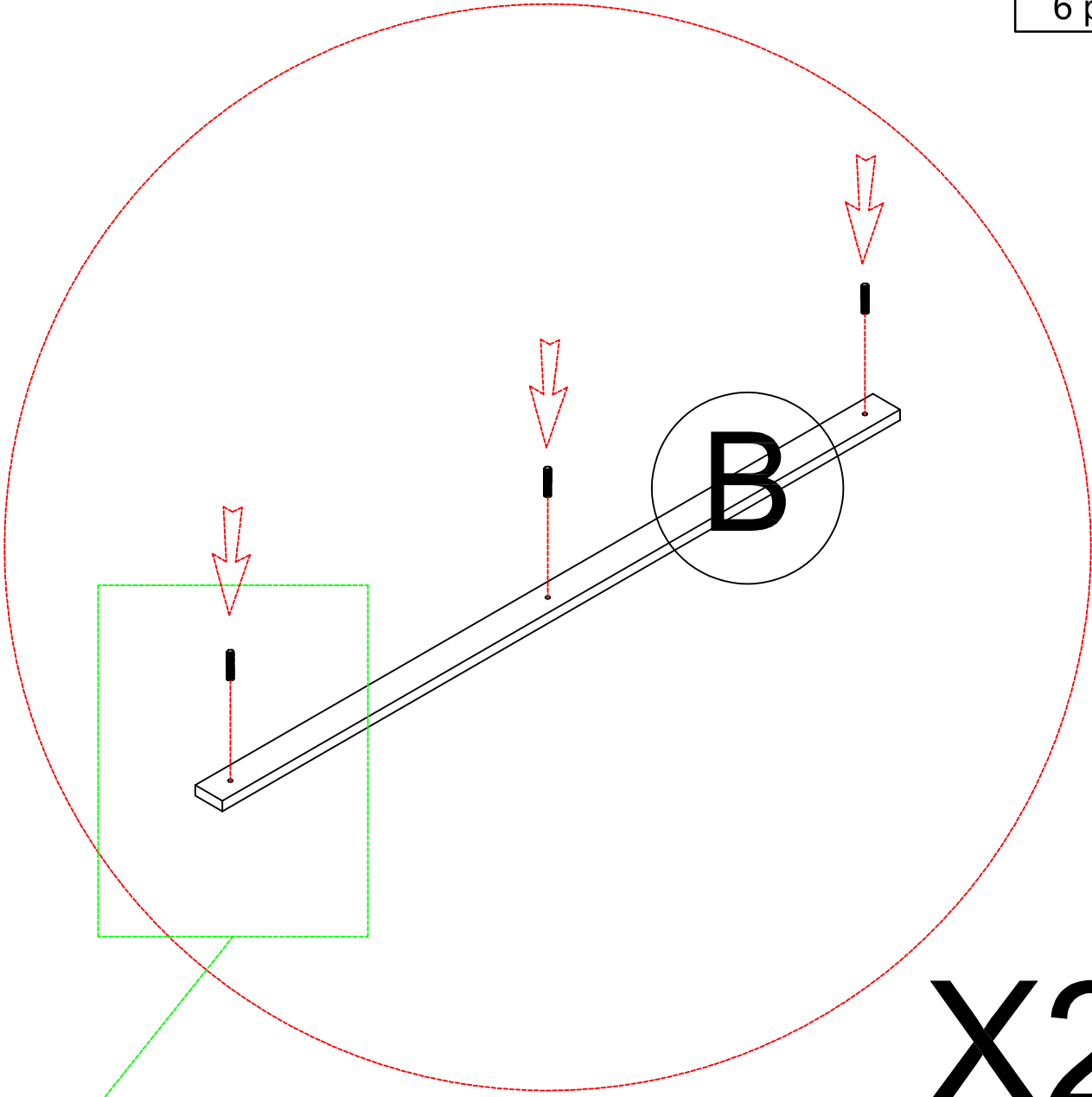
STEP 1-3: Following below illustration:

1	3
	
2 Pcs	10 Pcs

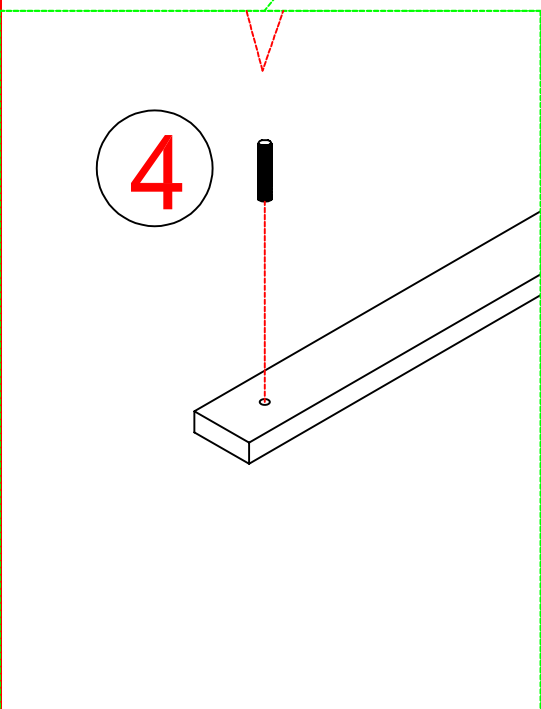


STEP 1-4: Following below illustration:

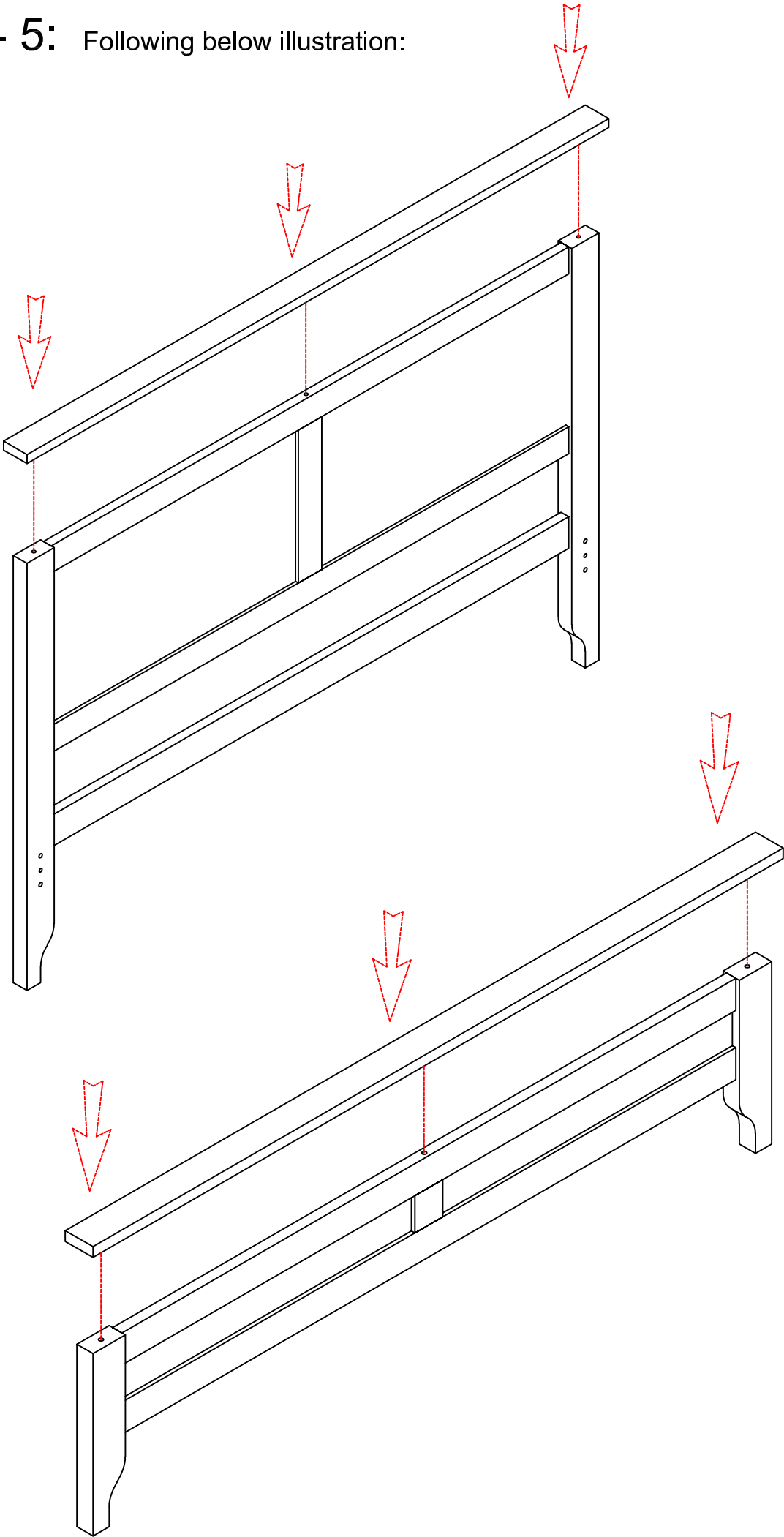
4	
6 pcs	





X2

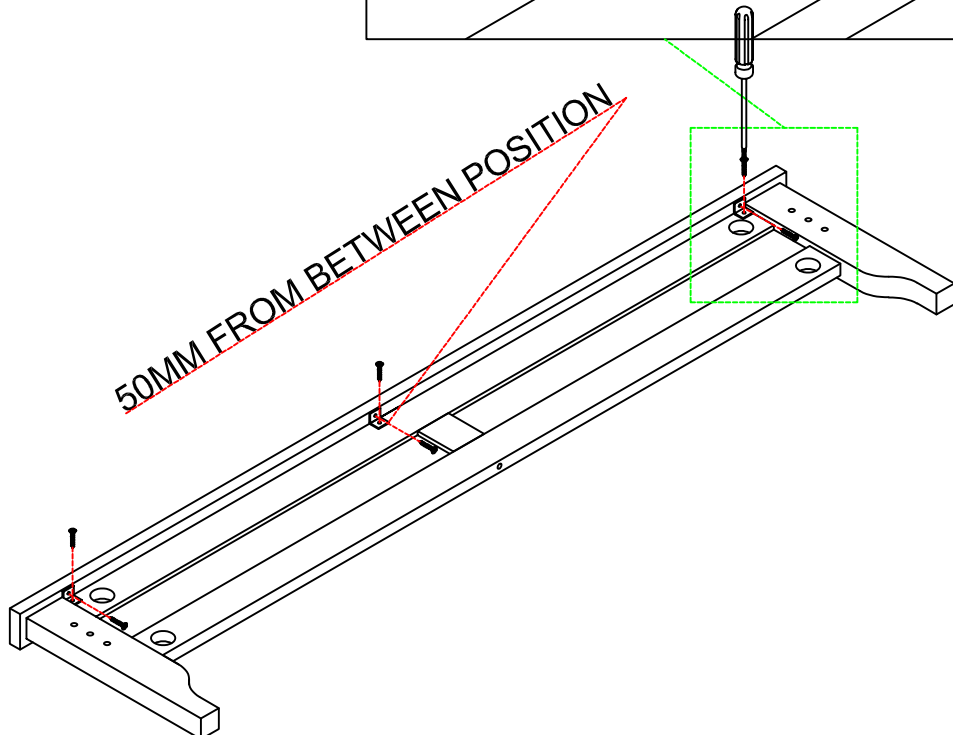
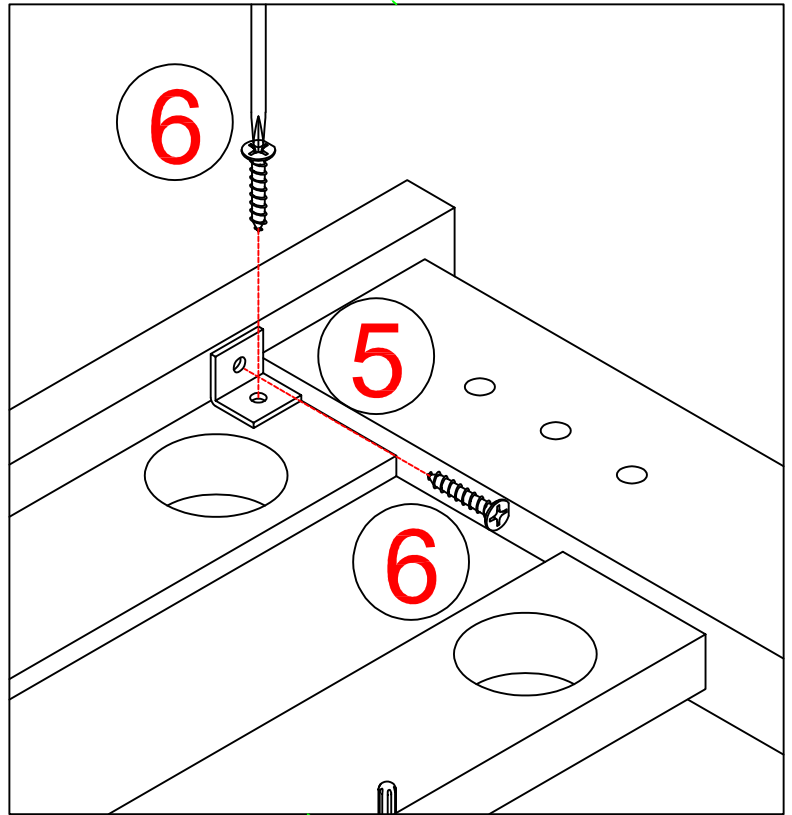
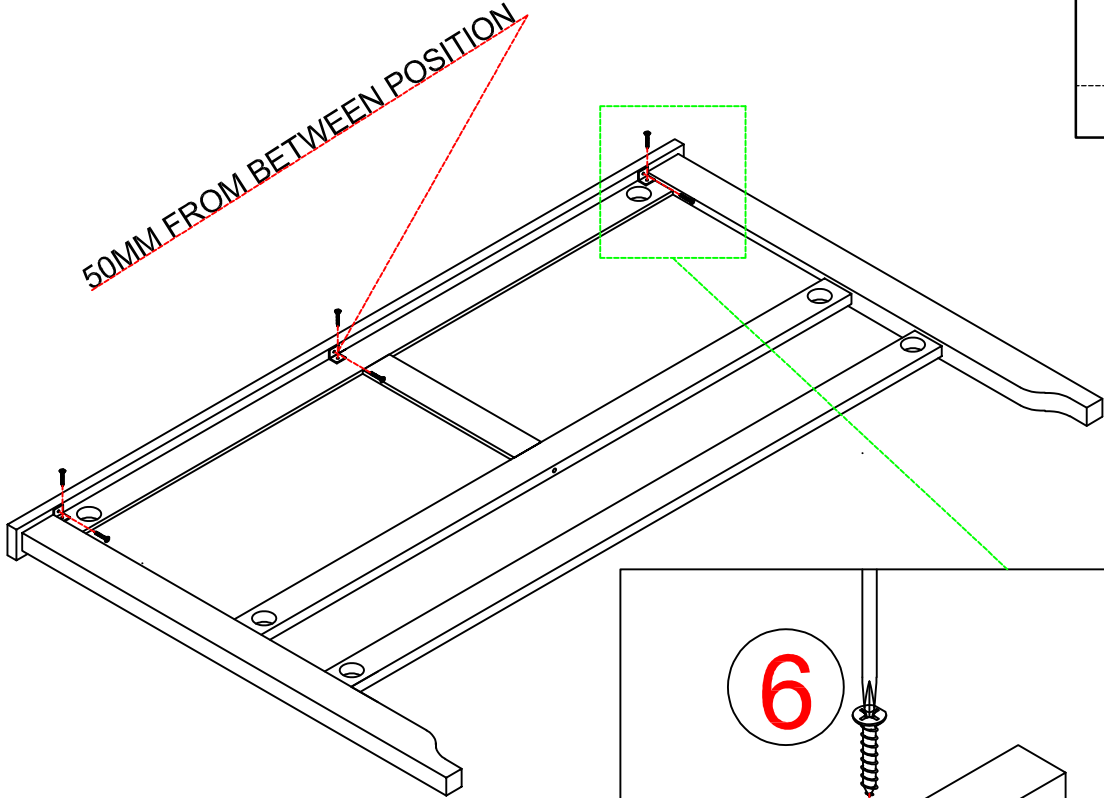


STEP 1- 5: Following below illustration:

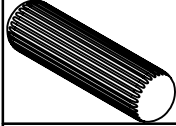
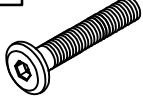


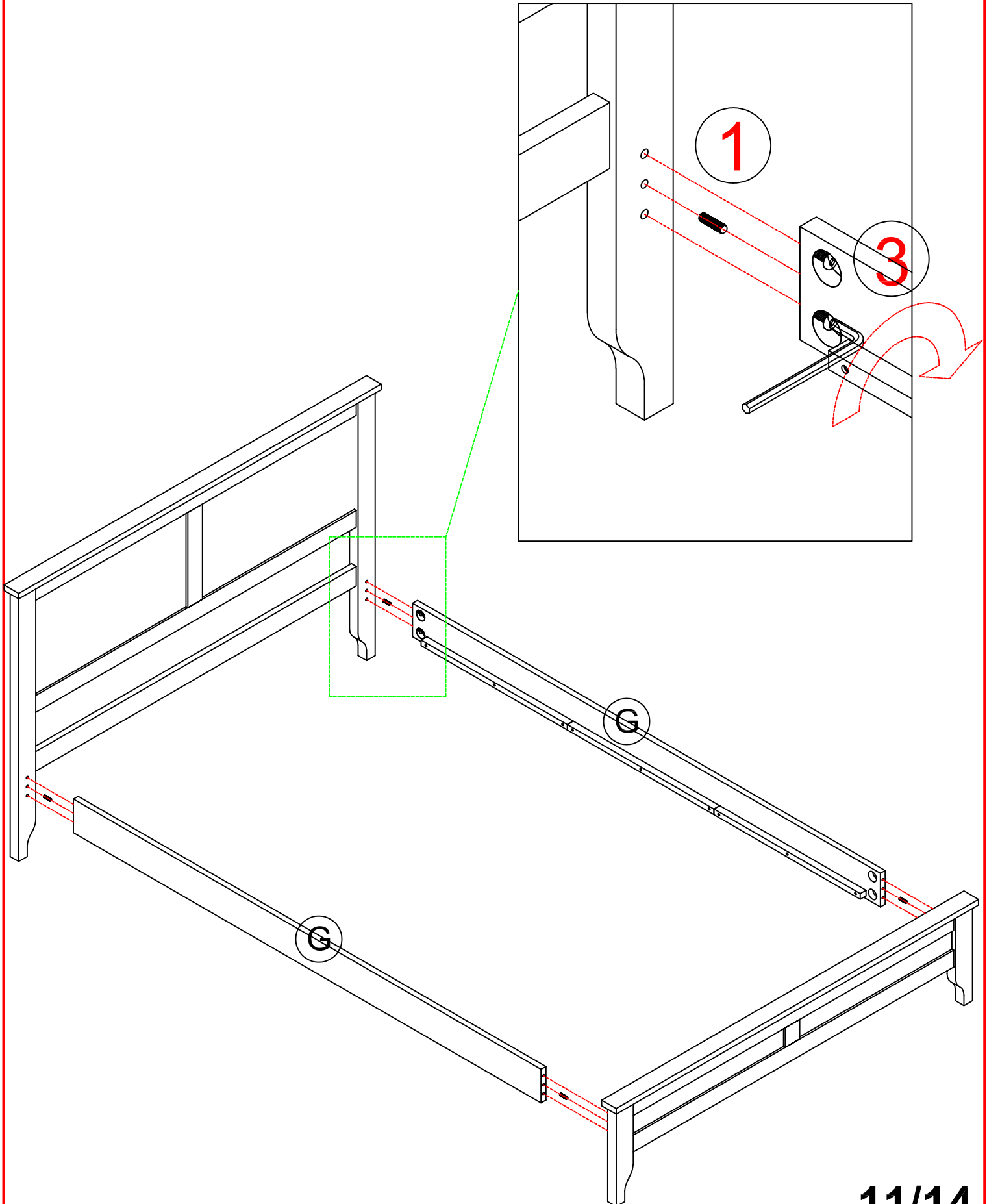
STEP 1-6: Following below illustration:

5		6	
6 pcs		12 pcs	

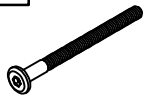
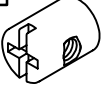


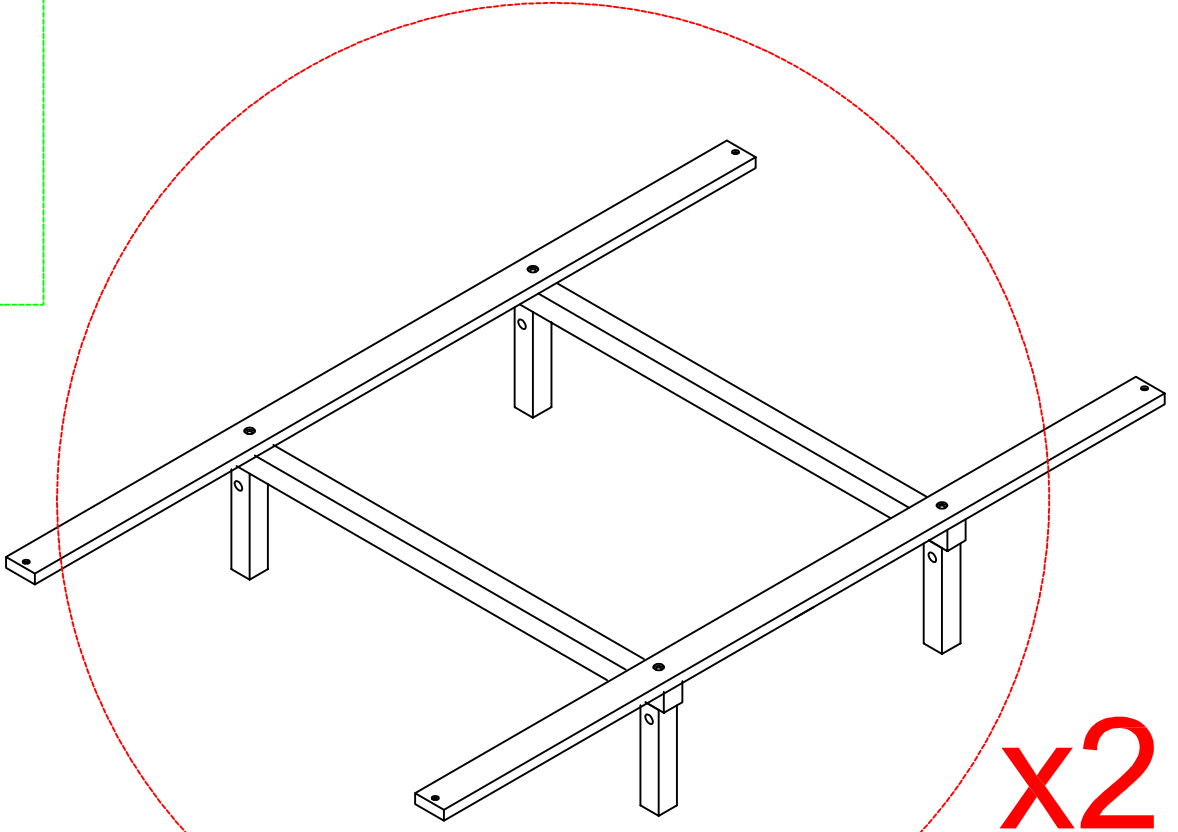
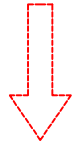
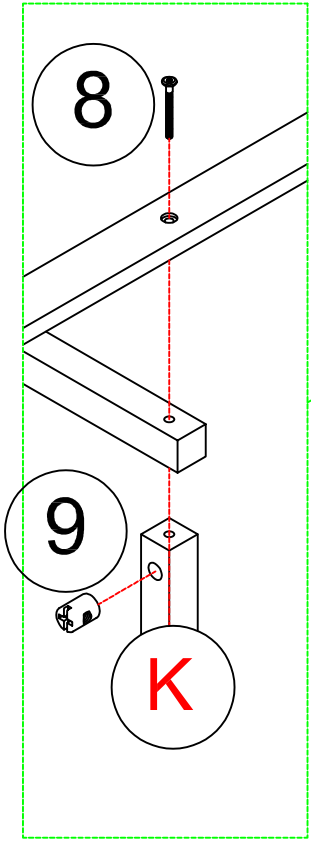
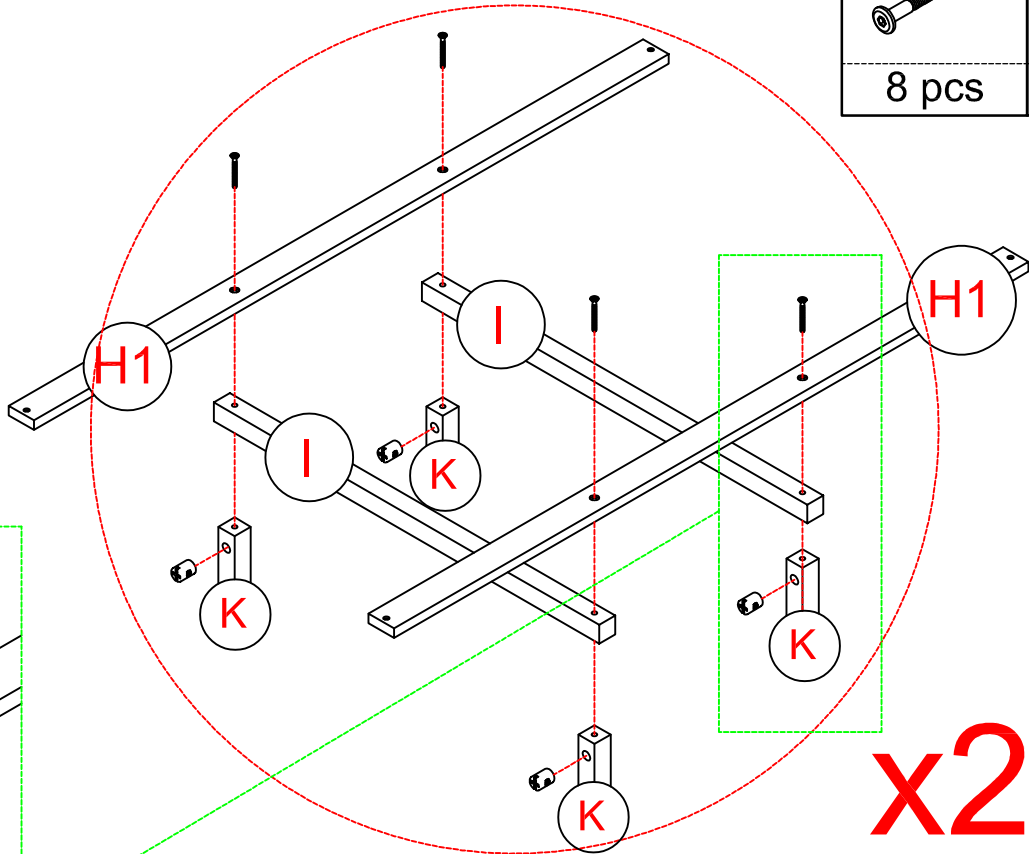
STEP 2: Following below illustration:

1	3
	
4 Pcs	8 pcs




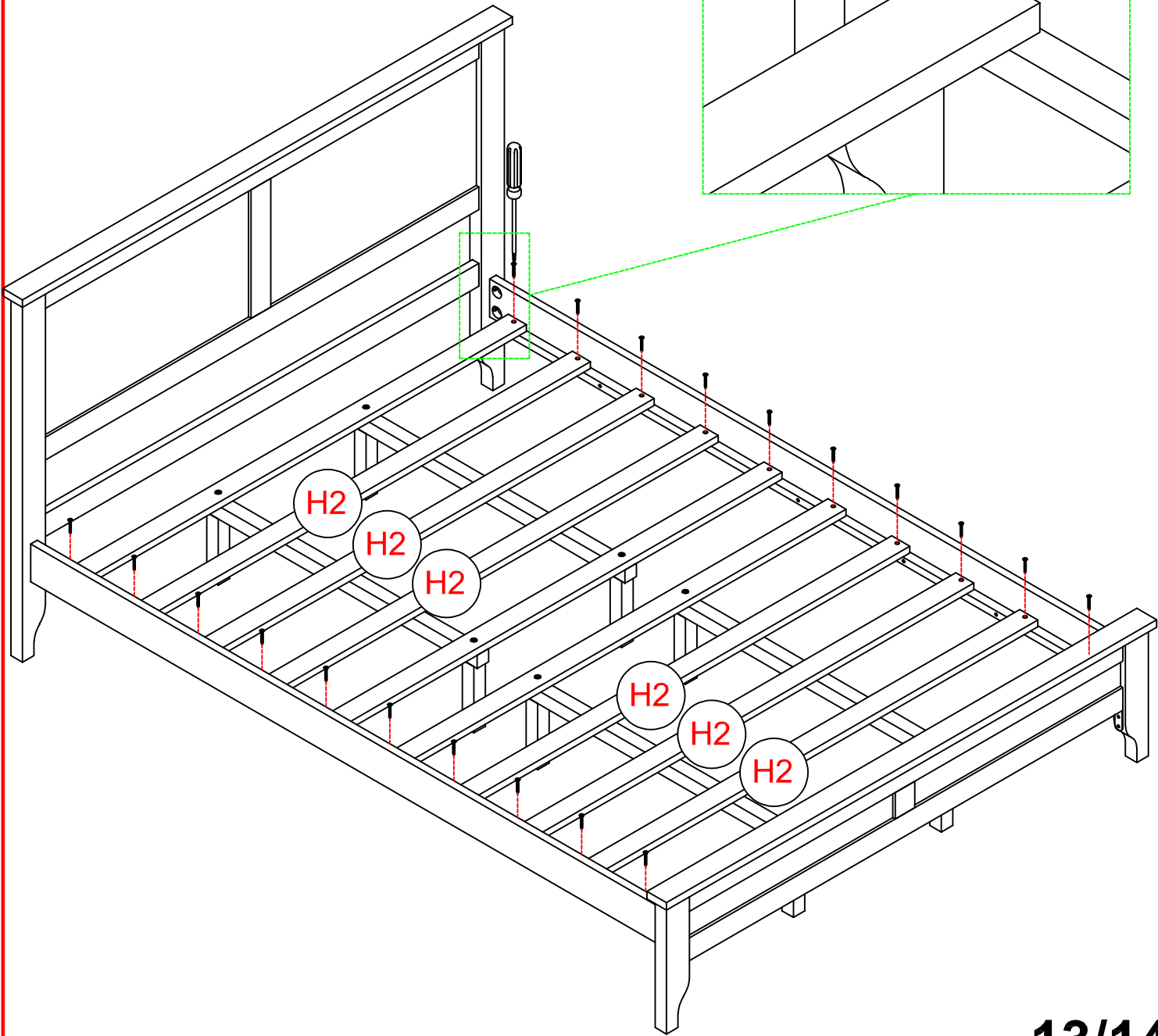
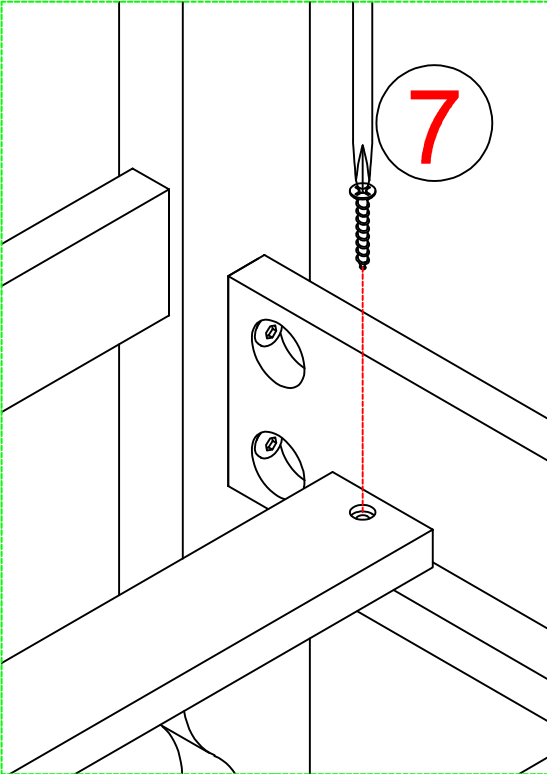
STEP 3: Following below illustration:

8	9
	
8 pcs	8 pcs



STEP 4: Following below illustration:

7	
20 pcs	



FINISH

