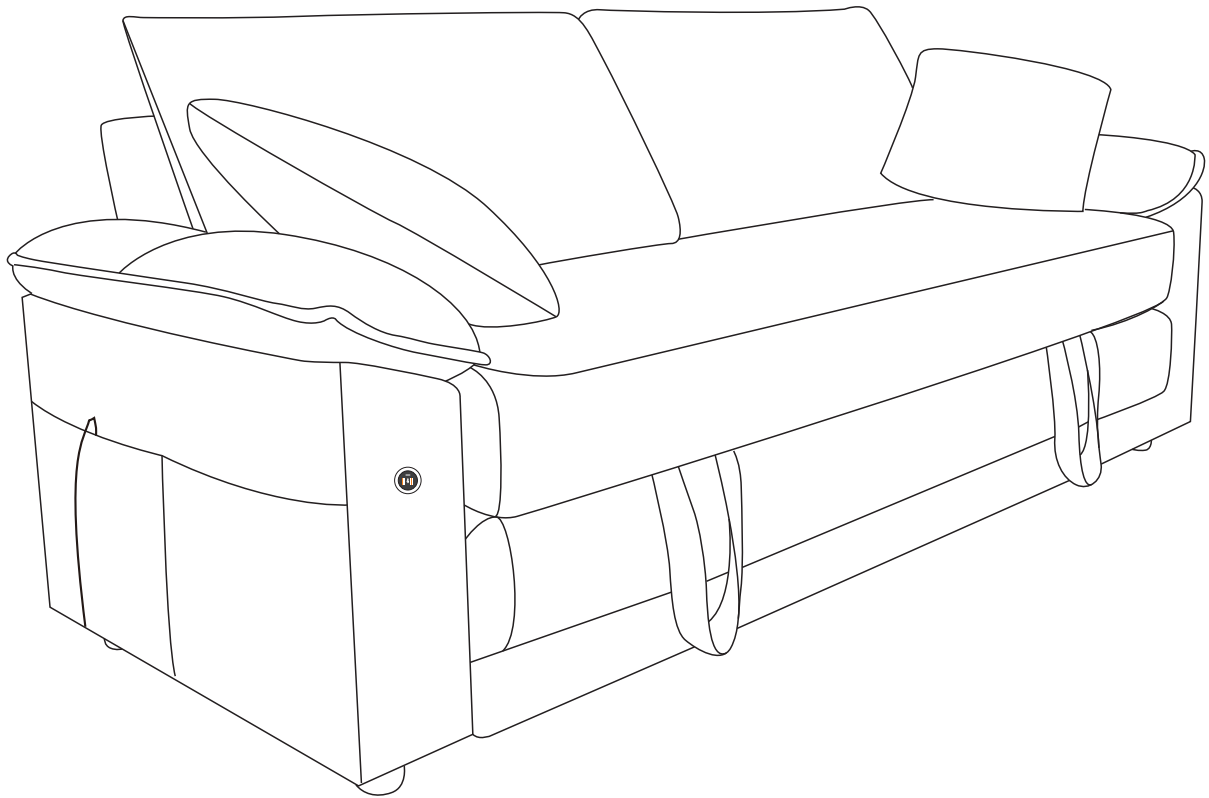


Convertible Sofa Sleeper



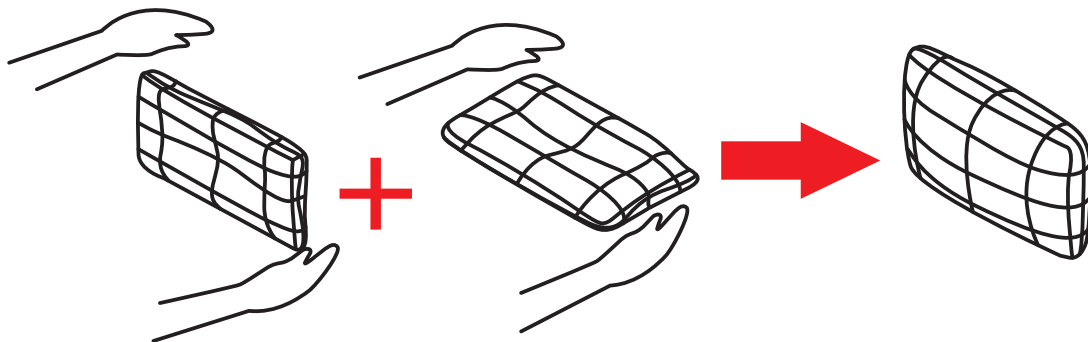
Return & Warranty policy:

-We strive to offer the highest quality products, and we also try our best to satisfy each and every customer that orders from us with replacement parts or service as needed.

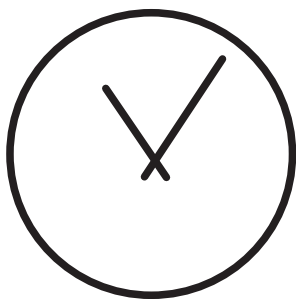
-If the item is damaged or defective , please take photos as evidence for replacements and refunds.

Tips:

1. Due to differences of lights, the actual color of the materials might be slightly different from the pictures.
2. Due to package compression for better shipment, the fabric may have wrinkles.
3. Please take all packages out and pat every part to make it rebound better and fluffy, so that it can restore to picture-like status.
4. Please keep children away from the plastic bags.



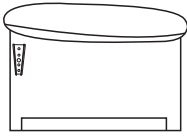
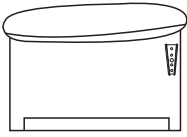
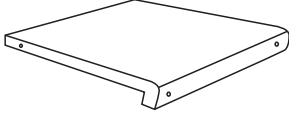
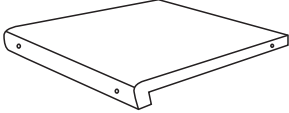
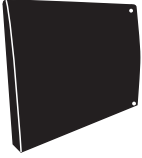
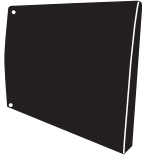

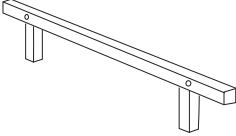
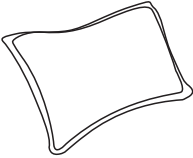
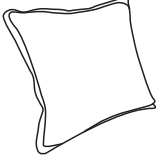
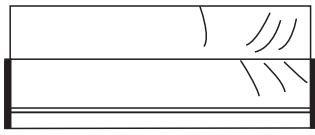

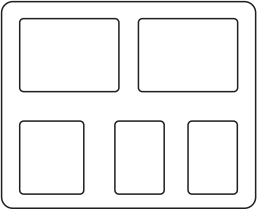
1. Repeatedly tap the sides, front and back to make it rebound better and fluffy.
2. Knead your cushion like giving your cushion a massage while allowing the air to flow through the foam.






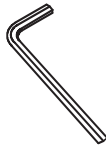




72h

It might take up to 72 hours.

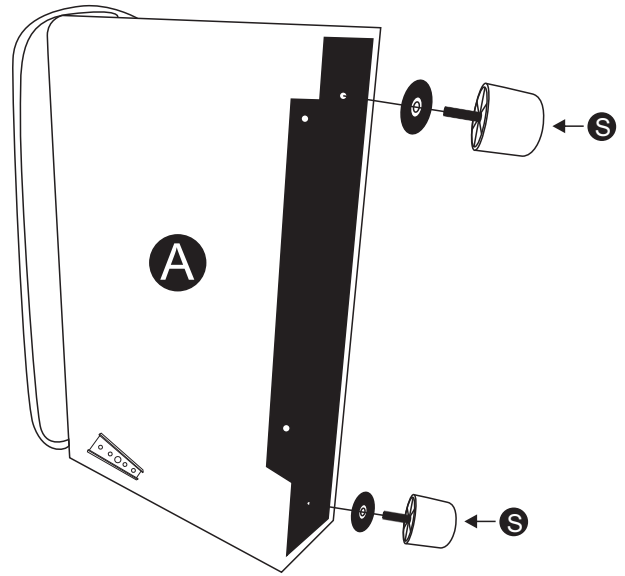
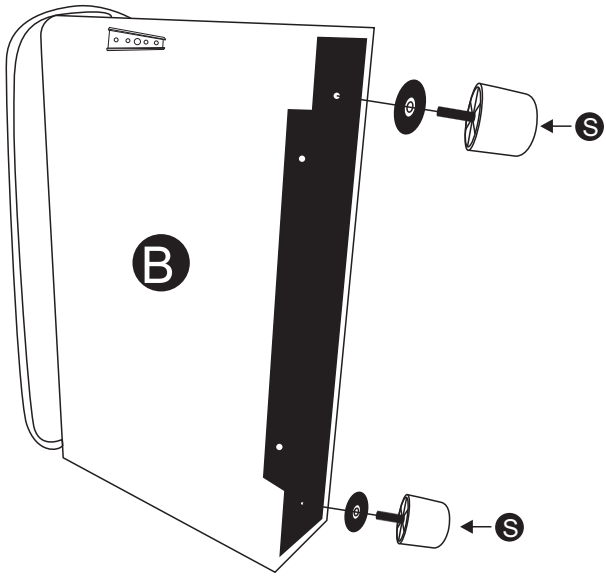
Box Parts List

<p>Ax1</p>  <p>Armrest(L)</p>	<p>Bx1</p>  <p>Armrest(R)</p>	<p>Cx1</p>  <p>Seat Frame (L)</p>	<p>Dx1</p>  <p>Seat Frame (R)</p>
<p>Ex1</p>  <p>Backrest Frame(L)</p>	<p>Fx1</p>  <p>Backrest Frame(R)</p>	<p>Gx1</p>  <p>Seat Cushion</p>	<p>Hx1</p>  <p>Connecting Rod</p>
<p>Ix2</p>  <p>Backrest Pillow</p>	<p>Kx2</p>  <p>Throw Pillow</p>	<p>Px1</p>  <p>Backrest Cover</p>	<p>Sx4</p>  <p>Leg and Plastic Washer</p>
 <p>Screw bag</p>			



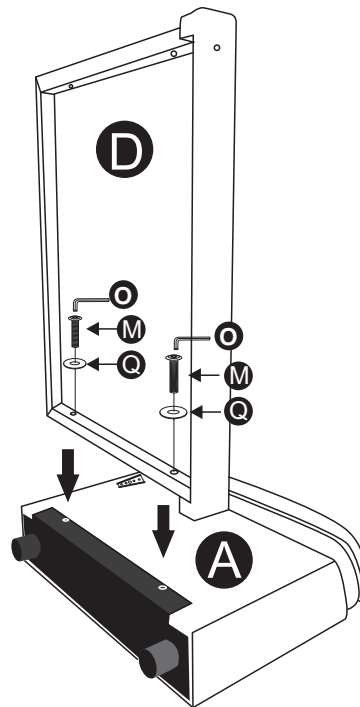
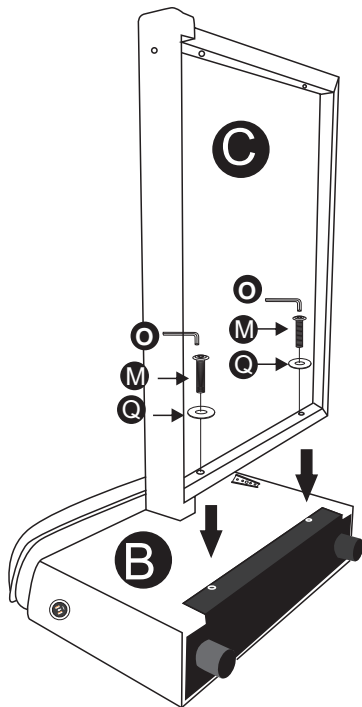
<p>L Screw M6*16mm</p>  <p>2pcs</p>	<p>M Screw M6*45mm</p>  <p>6pcs</p>	<p>N Screw M6*75mm</p>  <p>2pcs</p>	<p>O Allen Key</p>  <p>1pc</p>
<p>Q Washer</p>  <p>8pcs</p>	<p>R Connector</p>  <p>1pc</p>	<p>J Connecting Plate</p>  <p>1pc</p>	<p>Spare parts</p> 

step1



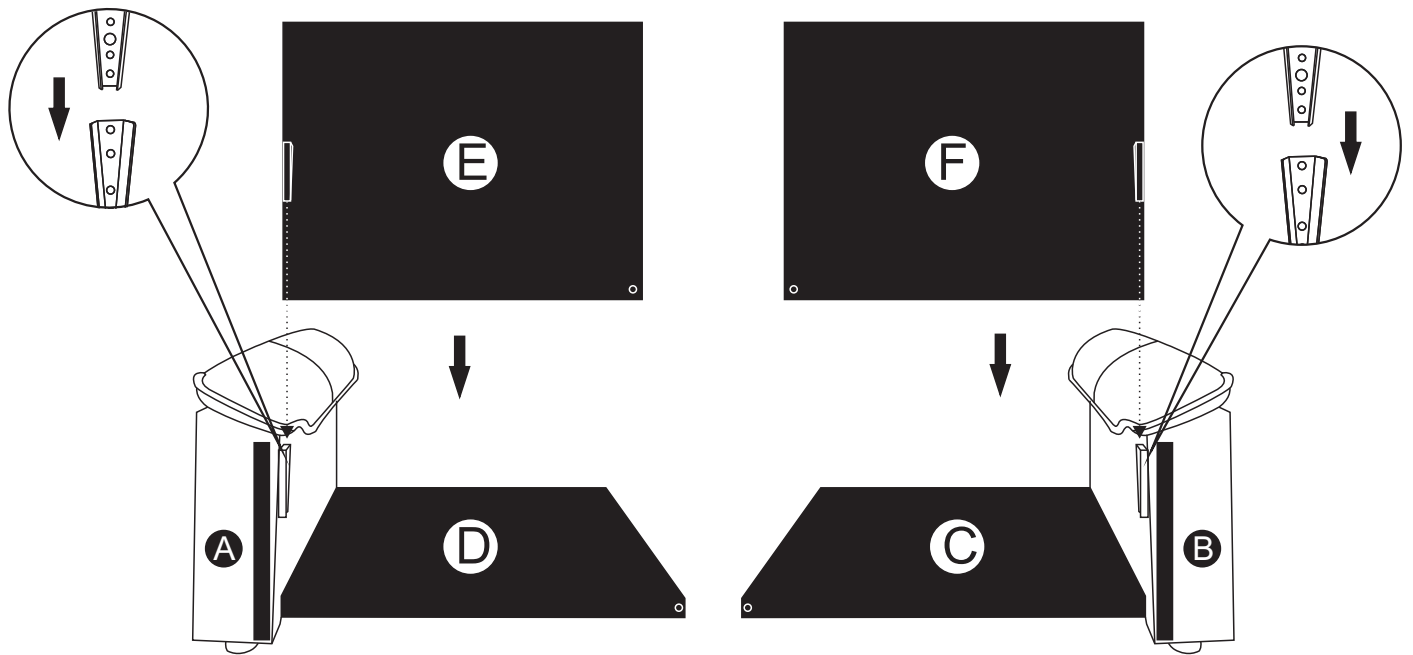
A	x1
B	x1
S	x4

step2



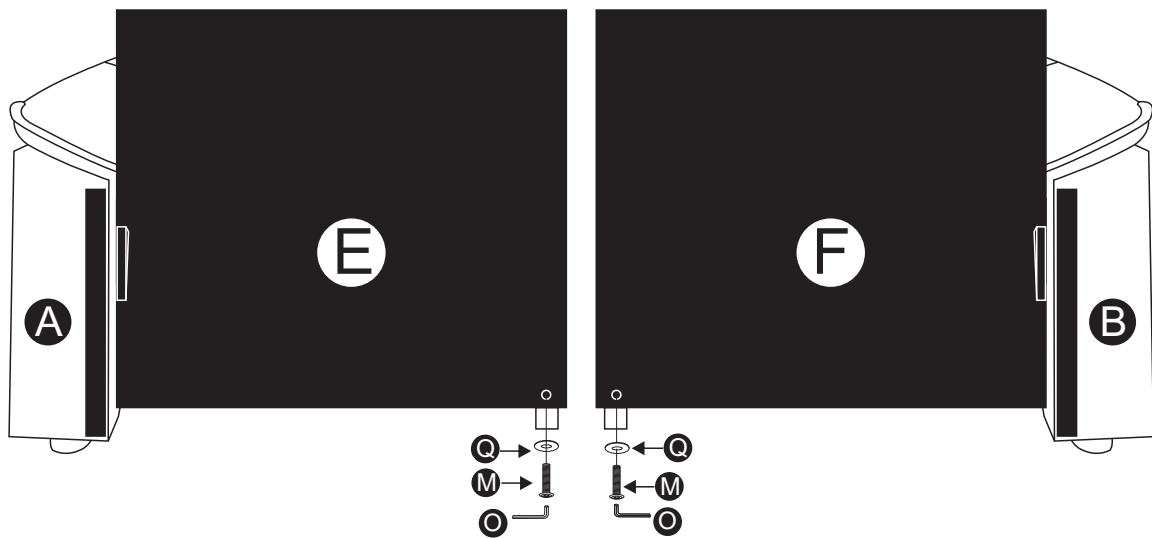
C	x1
D	x1
O	x1
M	x4
Q	x4

step3



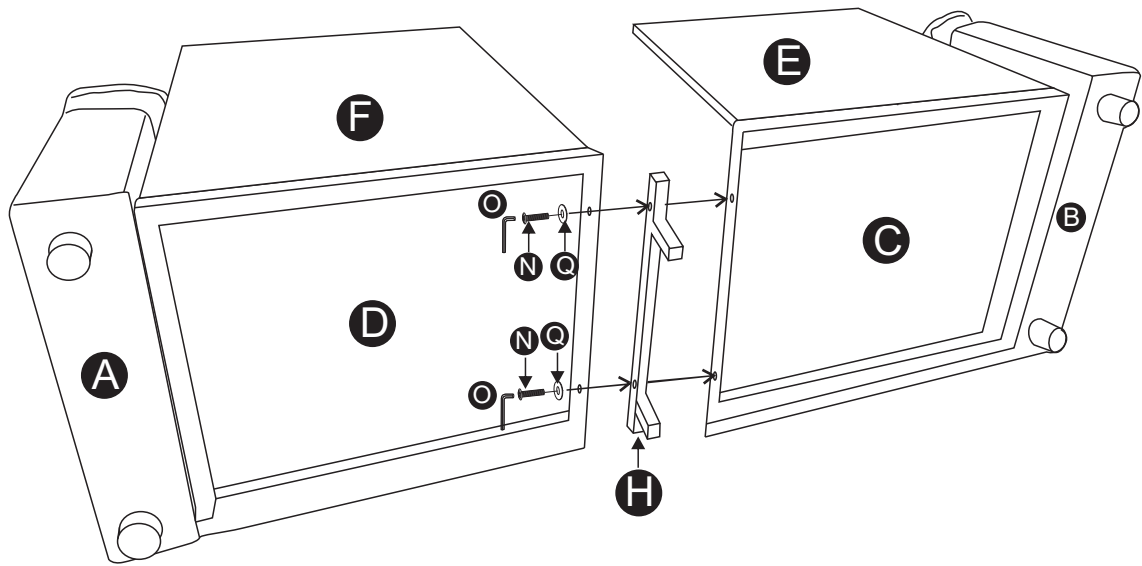
E	x1
F	x1

step4



O	x1
Q	x2
M	x2

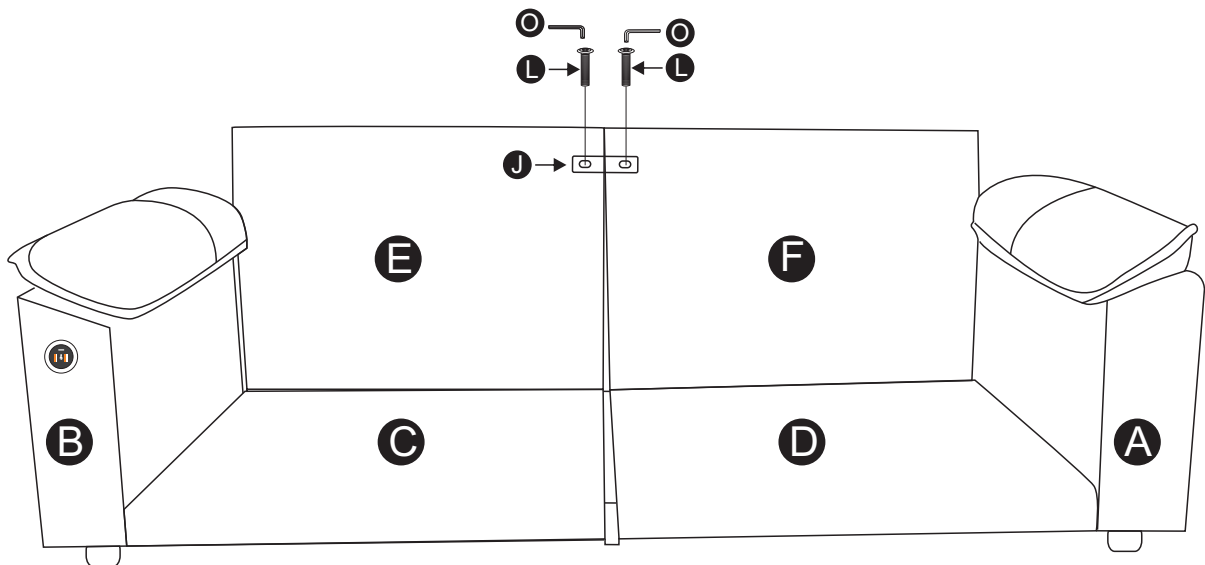
step5



Insert the screws N and washers Q onto frame D through connecting rod H to connect frame C.
 Tip: Embedded nuts are in the frame of D, check the correct direction while insert the screws.

⊙	x1
⊙	x1
⊙	x2
⊙	x2

step6

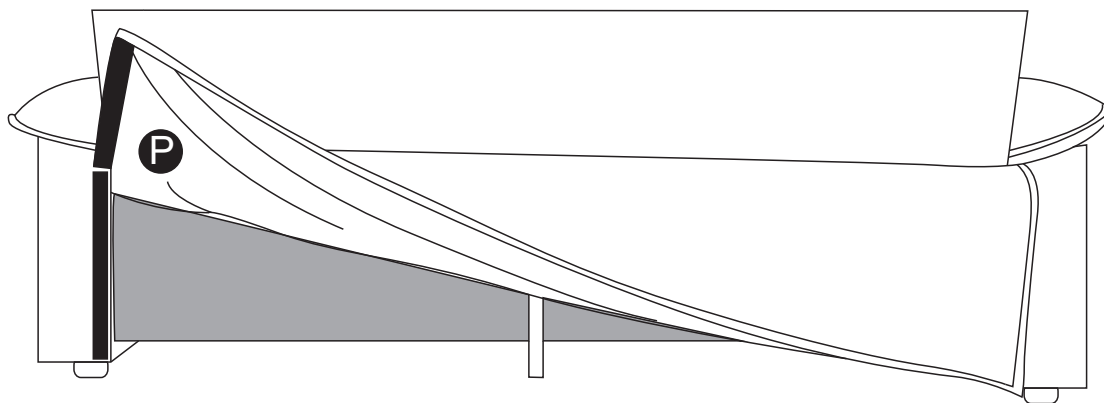


⊙	x1
⊙	x1
⊙	x2

step7

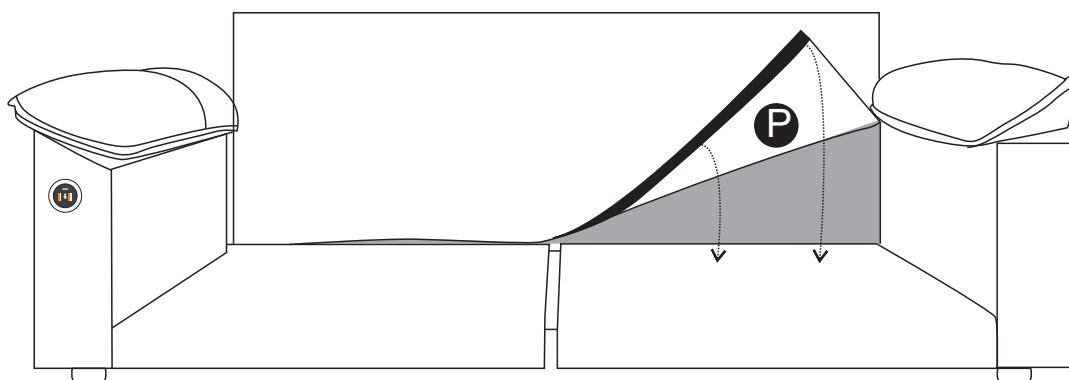
Stick the back cover.

The velcor on the backrest cover P is snugly attached to the velcor on the back side of both armrests.



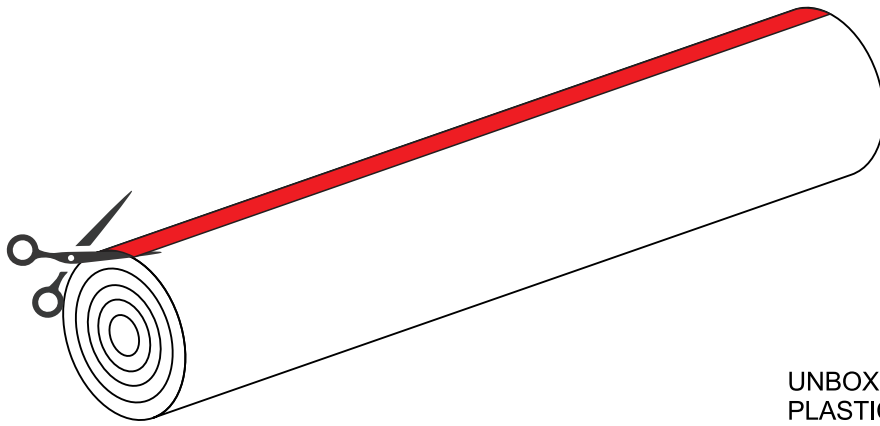
Stick the front cover.

The velcor on the backrest cover P is snugly attached to the edge of the back frame.



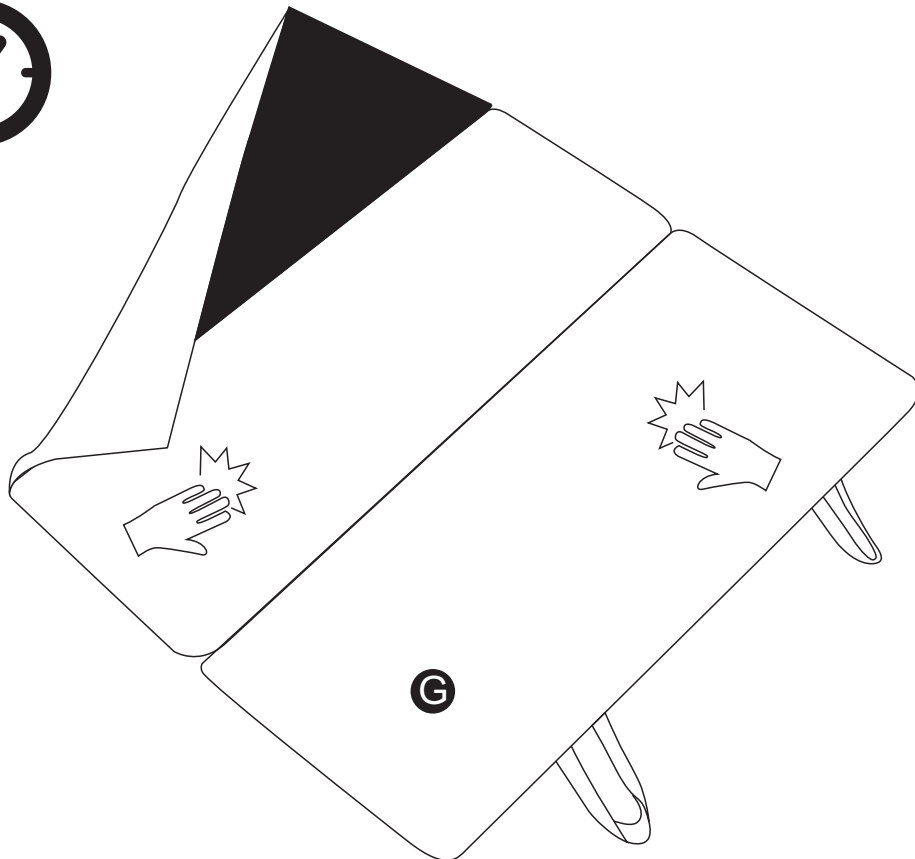
step8

①



UNBOX AND REMOVE THE PLASTIC PACKAGING

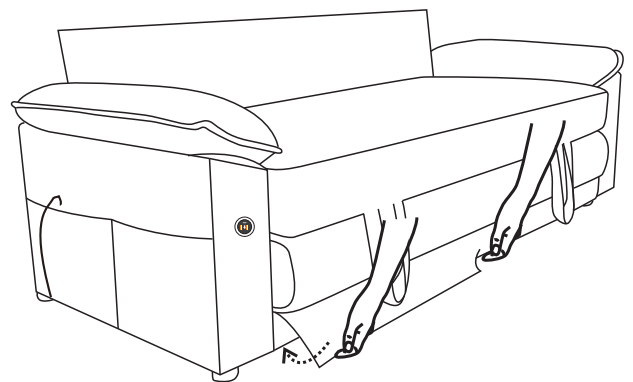
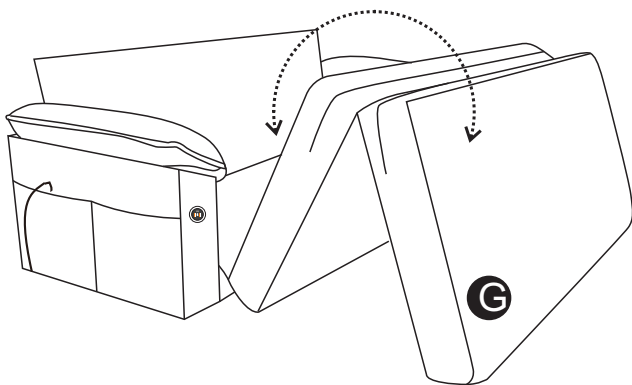
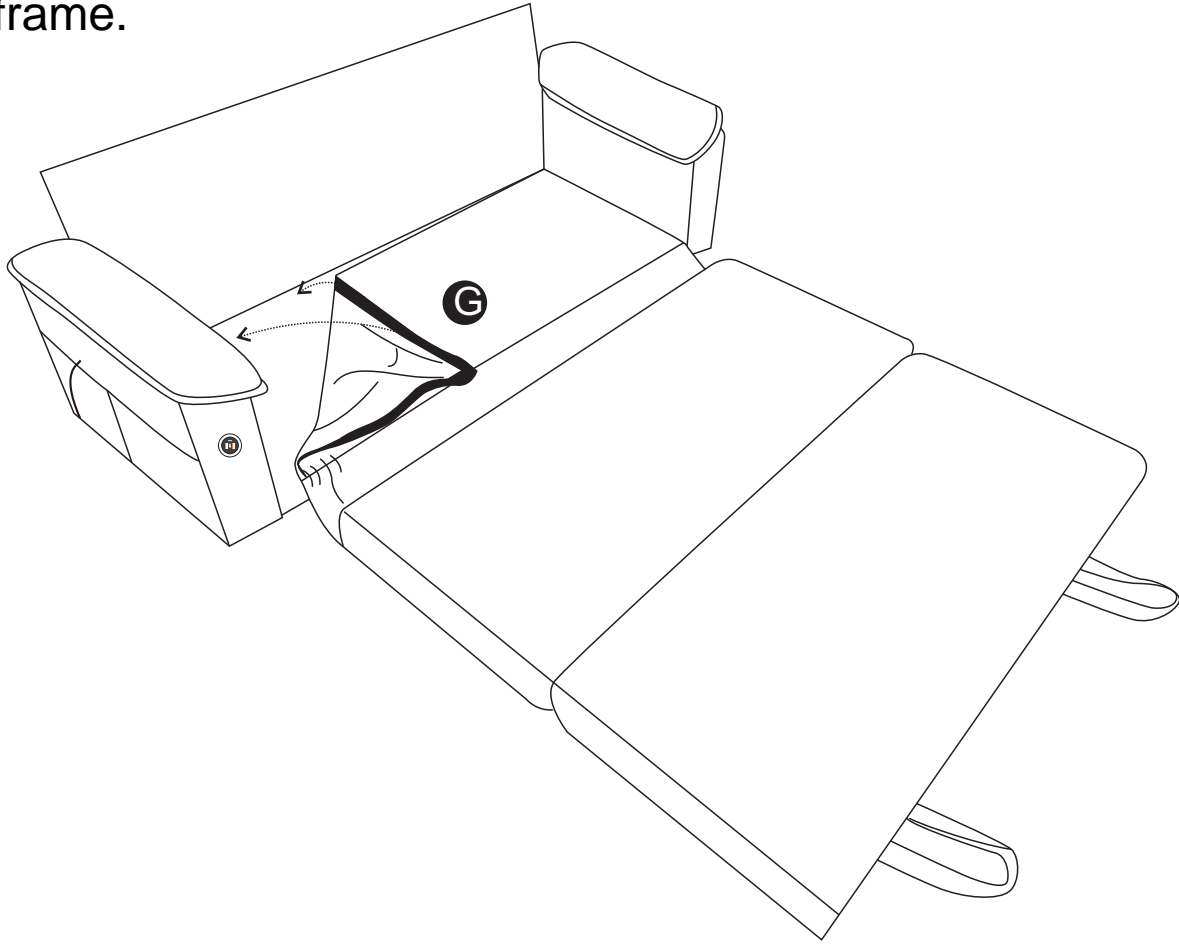
②



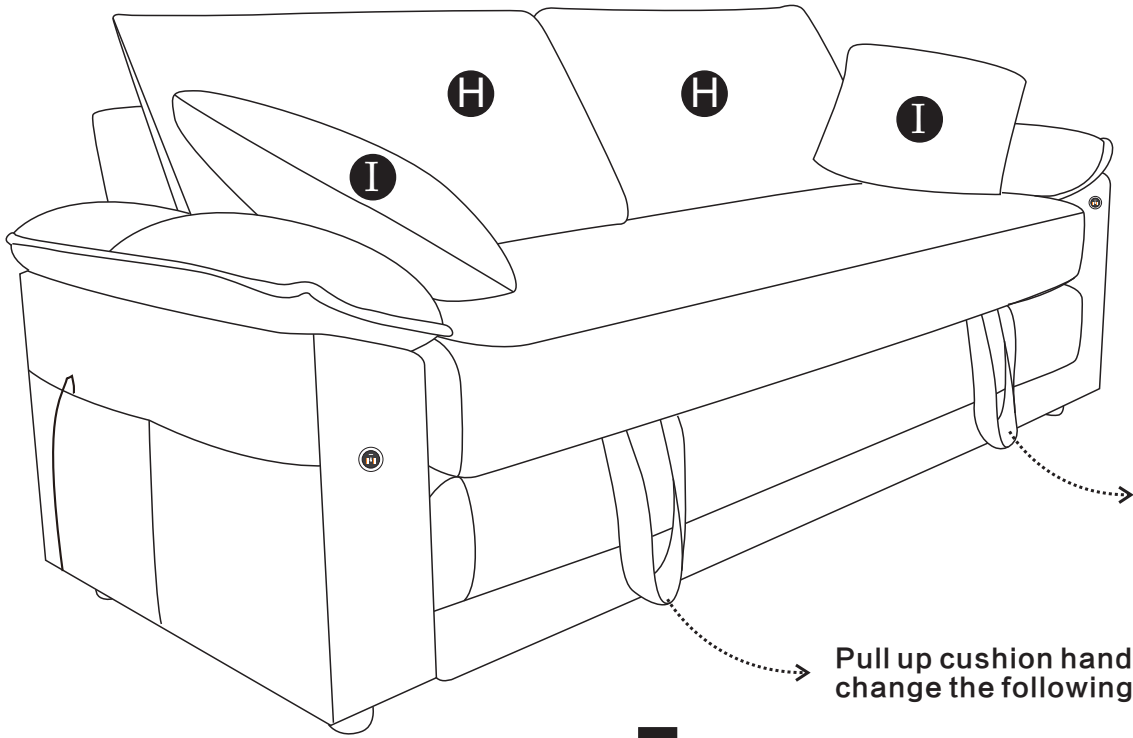
G x1

step9

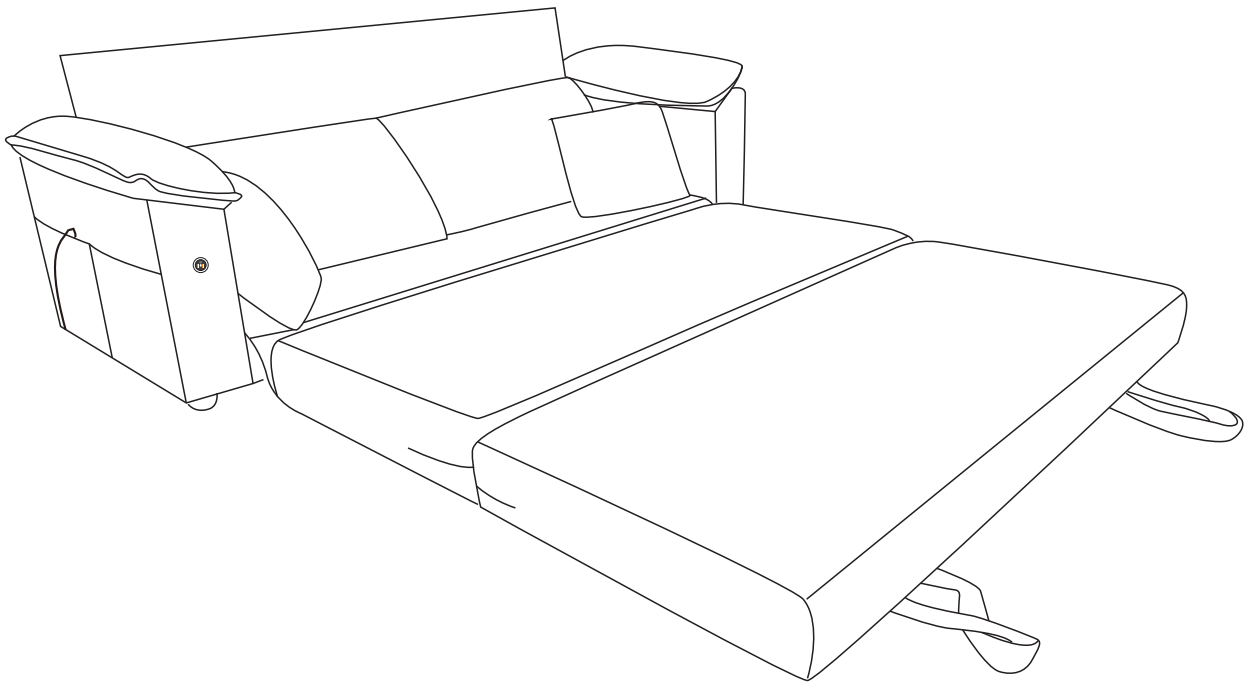
The velcor on the seat cushion G is snugly attached to the edge of seat frame.



step10



Pull up cushion handle,
change the following shape.



H	x2
I	x2