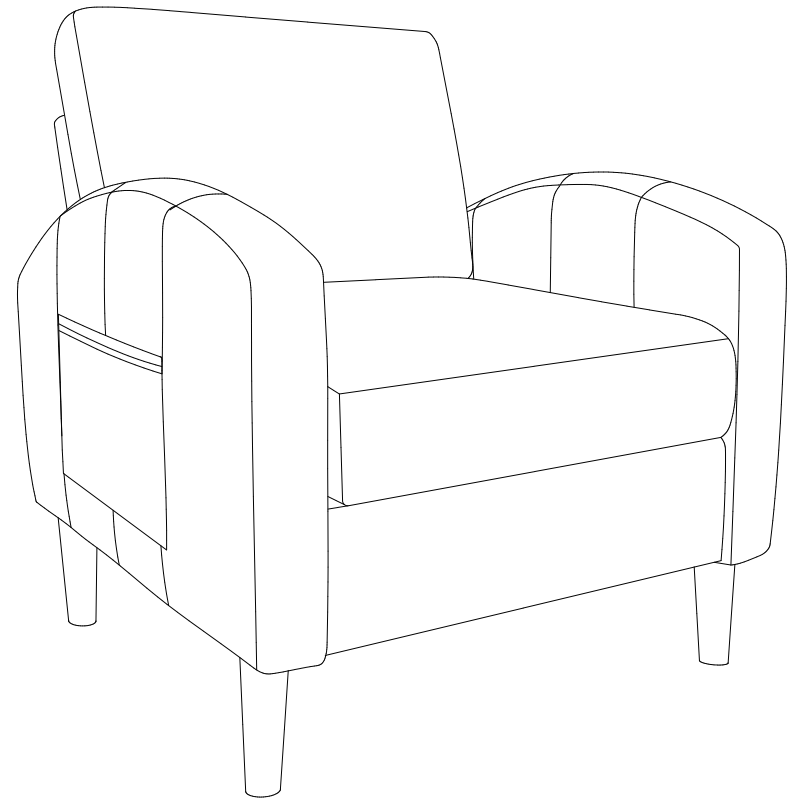


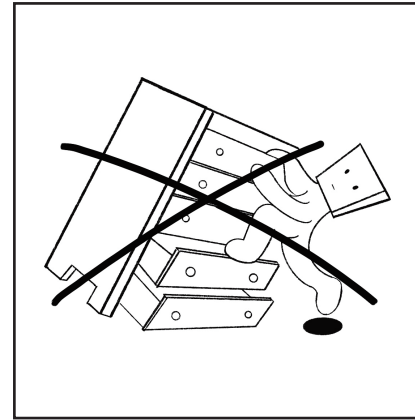
ASSEMBLY INSTRUCTION



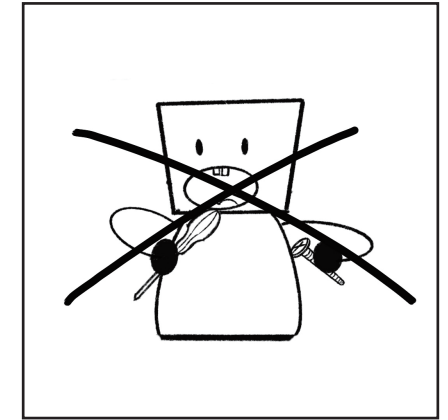
Disclaimer

Use of this product constitutes acceptance of this disclaimer. Please read the following terms carefully:

- The product is guaranteed to be safe under normal use or foreseeable misuse.
- This furniture is designed for indoor household use only. Any improper modification, or use beyond the specified weight capacity (see product manual) shall void this disclaimer, and the manufacturer shall not be liable for any damage or injury arising therefrom.
- Regular wear and tear (e.g., fabric fading, minor hardware loosening) due to normal use is not considered a quality defect.
- The manufacturer shall not be responsible for damages caused by improper transportation, storage, or natural disasters (e.g., fire, earthquake).



DO NOT CLIMB OR HANG



DO NOT PLAY WITH OR SWALLOW SMALL PARTS



(1) DO NOT stand or jump on the chair.

(2) Children should use this product with adult supervision.

Weight Capacity:

–Do not place items exceeding the maximum weight capacity of the product. (For the product’s weight capacity, please refer to the product link.)

Usage Scenarios and Maintenance Methods

- Do not place the product in a humid environment.
- Avoid direct exposure to high temperatures and keep it away from heat sources.
- Clean and maintain the product regularly.
- Place it on a flat surface. When moving is required, ensure that at least two people lift it together.
- Check the condition of screws regularly. If any screws are loose or fall off, reinforce them promptly.

Chair products

Preparation before Installation

–Please read the assembly instructions carefully before installation and keep this manual for future reference. Check that all components are complete, including panels, hardware fittings, screws, plastic parts and other small components.

Ensure that **only adults** perform the installation, and keep children away from the installation area.

Instructions for Use

(1) Avoid prolonged exposure to direct sunlight or humid environments to prevent fading, aging, or mildew.

(2) **Even force application:** Avoid prolonged heavy pressure on a single point during use to extend the service life.



- **Do not** come into contact with corrosive substances and liquids to prevent discoloration or damage.
- **Do not** scratch it with sharp objects to avoid damaging the fabric and components.
- **Do not** stand on the product to prevent falls due to product sliding.
- **Do not** push it backward and downward violently, which may cause backward tipping and injury.
- **Do not** place it outdoors for use.

- When children use the product, it must be operated under adult supervision.
- **Do not** place items exceeding the weight – bearing capacity on the chair, which may cause the lifting function to fail.



Maintenance Methods

(1) **Do not** scratch it with sharp objects to prevent damage to the mesh fabric and components.

(2) Before cleaning the product, first suck up the dust on the product surface and in the gaps, and then clean with clean water and a clean cloth (a small – scale test is required first to ensure no fading, staining or damage will be caused).

(3) The hardware accessories of the product should be regularly inspected for looseness every 3 months. If there is looseness/falling off, they should be fixed immediately.

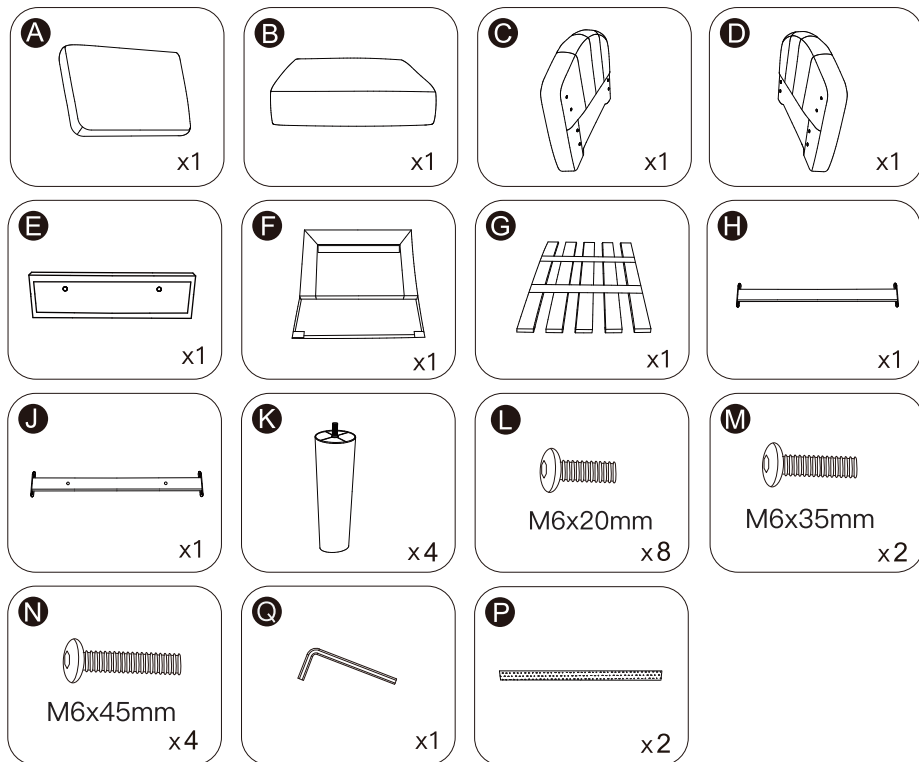
(4) Keep away from fire sources and do not contact with acidic, alkaline chemicals and greasy substances.

(5) Avoid placing it near windows to prevent long – term dampness and direct sunlight.

(6) Regularly remove entangled hairs and fibers from the casters and the gas lift cylinder.

Please check all parts and accessories according to the parts list before assembling, make sure all contents are sufficient and in good condition. If there is any parts missing or defective, please contact us immediately with purchase platform message to get replacement parts.

PARTS:



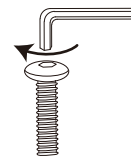
NOTICE

Attention:

For your safety, we recommend two or more people to install it together.



NOTICE



Attention:

To make the chair more stable, please tighten all screws with a hex screwdriver.



NOTICE

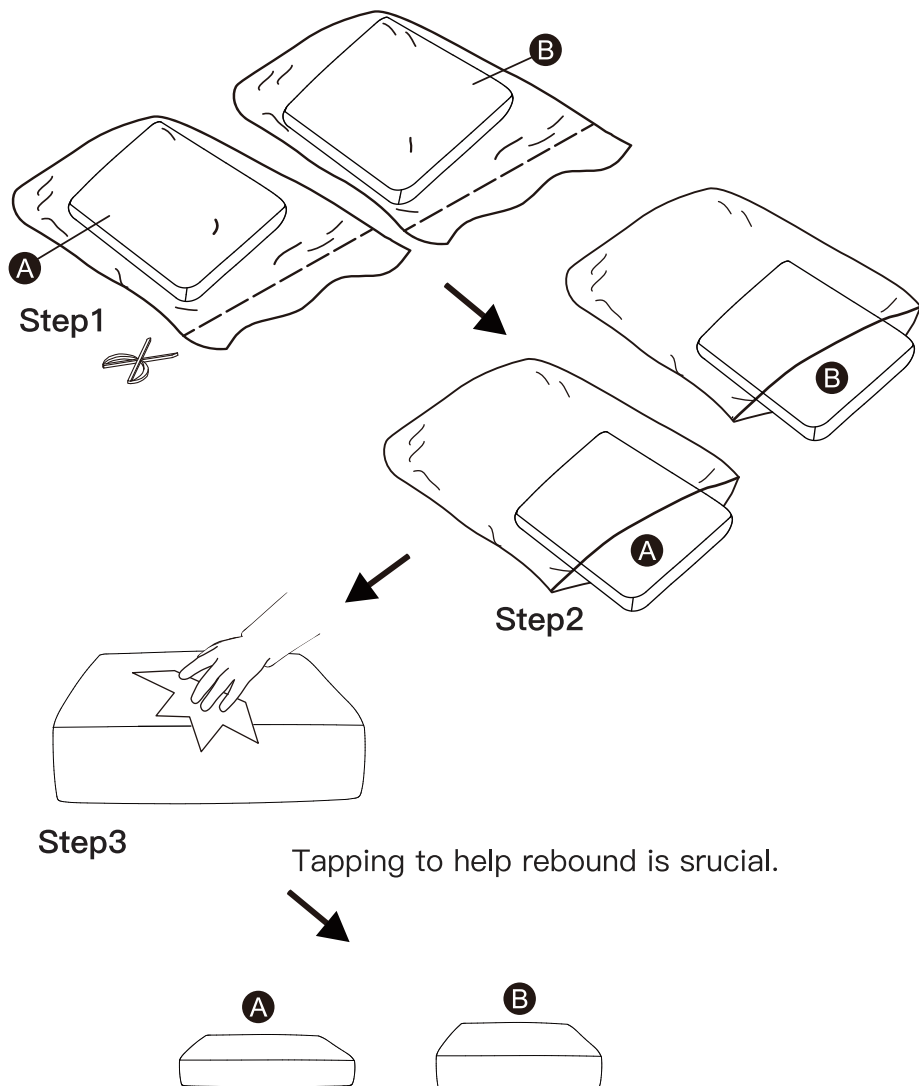
Attention:

To make the chair more stable, we recommend checking the tightness of the screws every 3 months. If there is any looseness, please tighten it again immediately.

Warm Reminder:

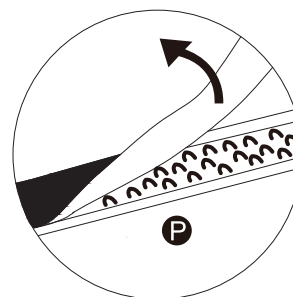
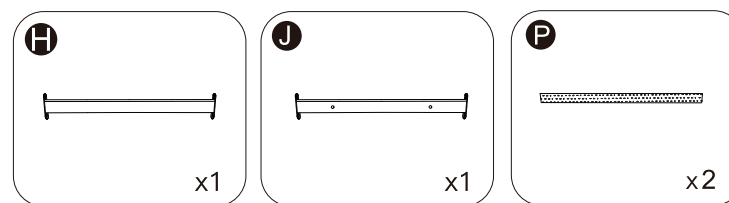
NOTICE:

- (1) All the cushions are vacuum-packed.
- (2) After opening them, please allow 72 hours to let them come back to original shapes.



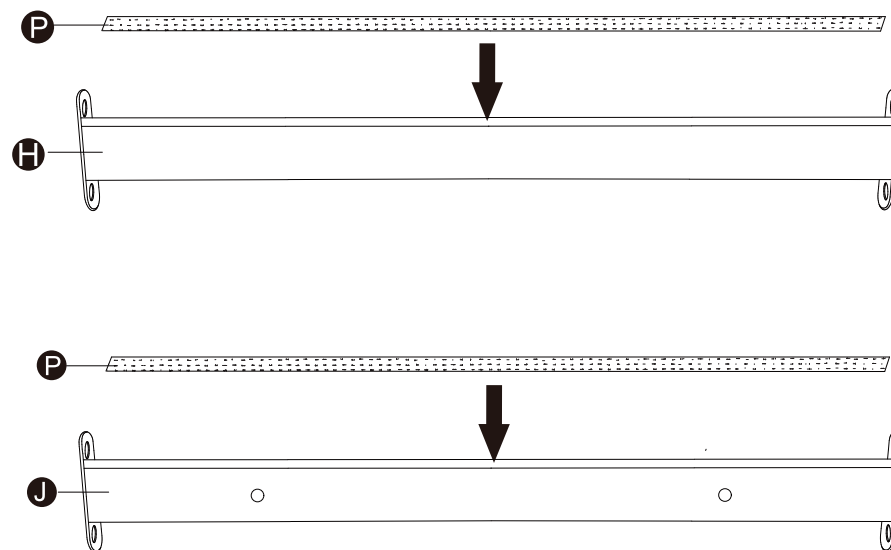
HOW TO INSTALL

STEP 1

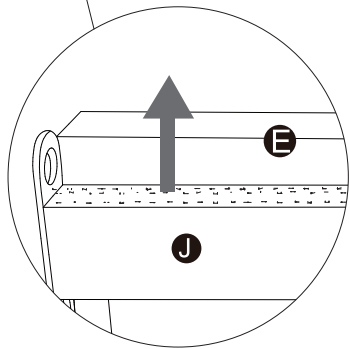
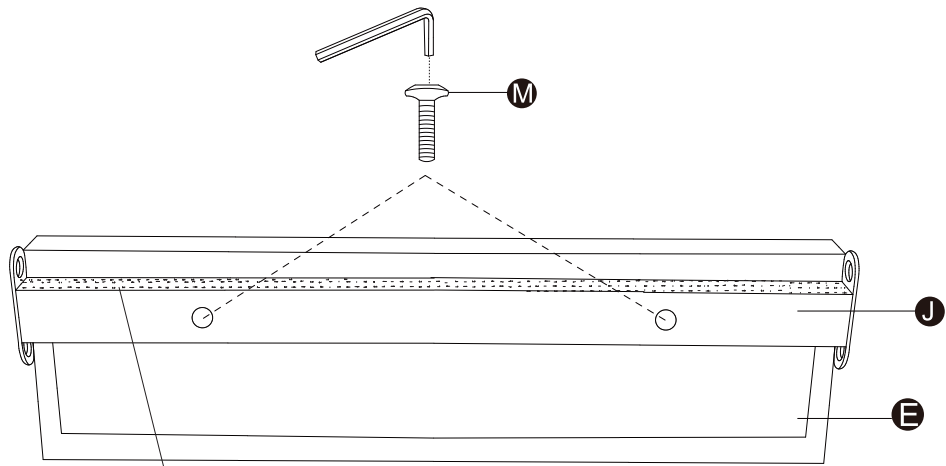
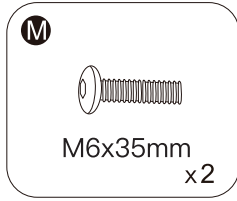
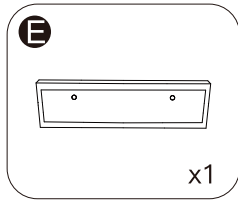


NOTICE:

When removing the Velcro, please be careful not to tear the adhesive surface.

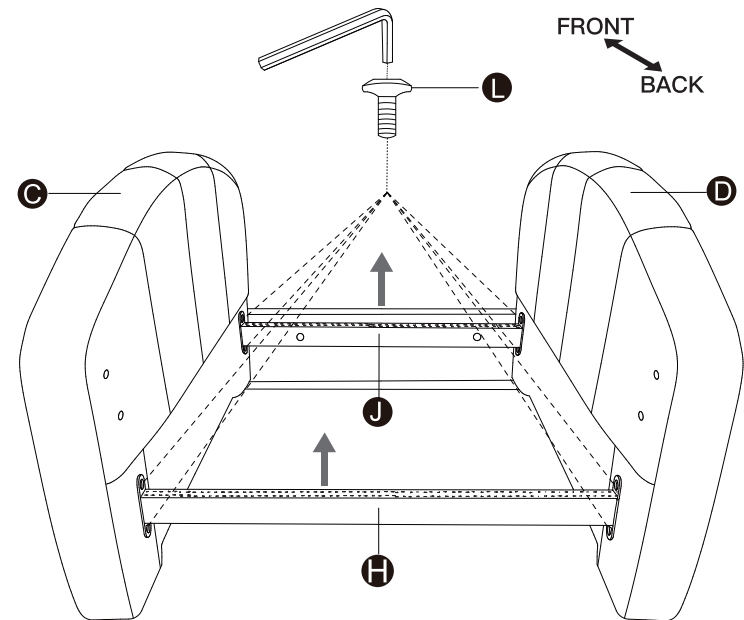
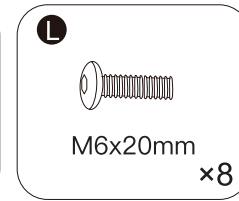
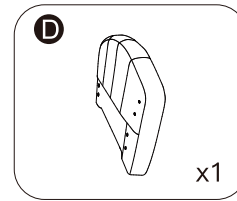
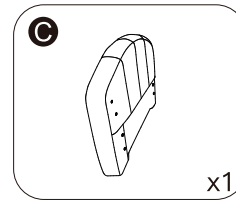


STEP 2



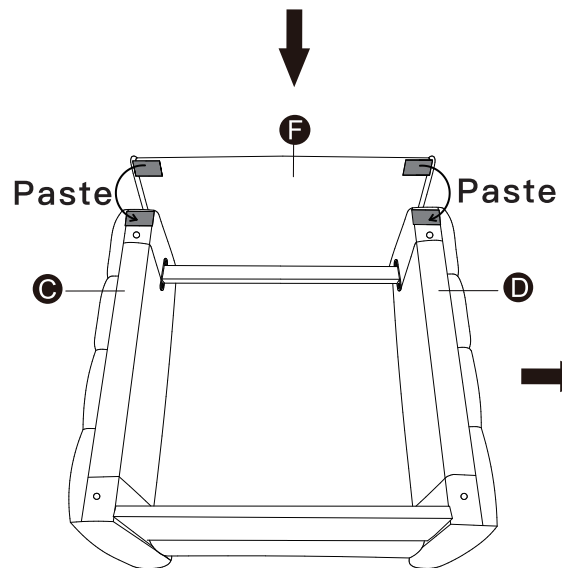
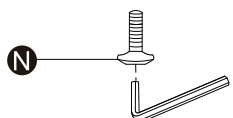
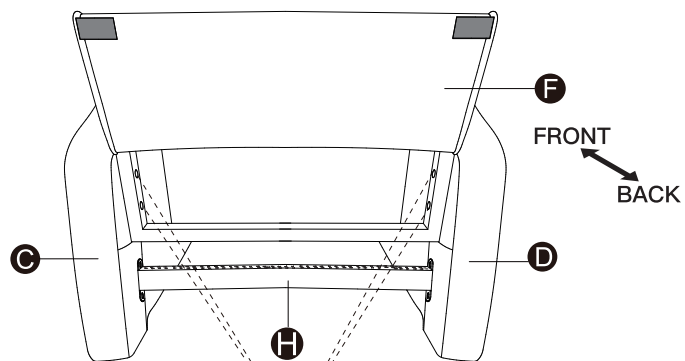
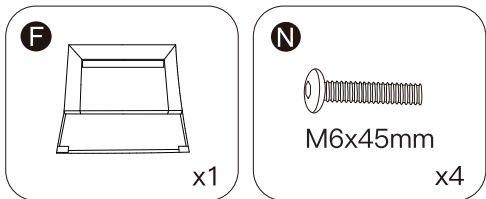
NOTICE:
Please make sure that the Velcro side of part **J** faces upward.

STEP 3

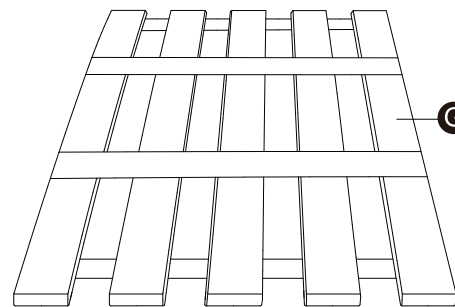
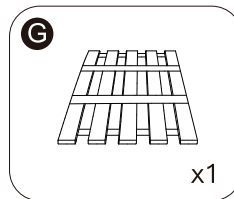


NOTICE:
Please make sure that the Velcro side of part **J** and part **H** faces upward.

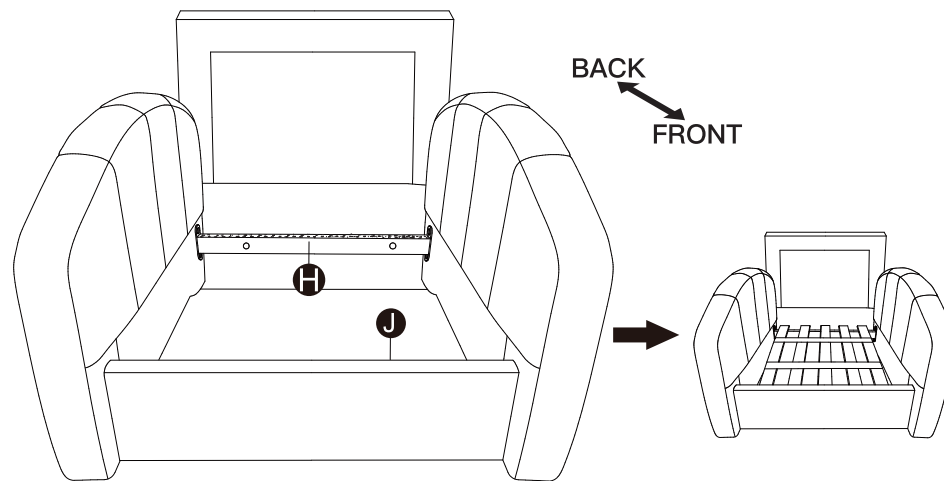
STEP 4



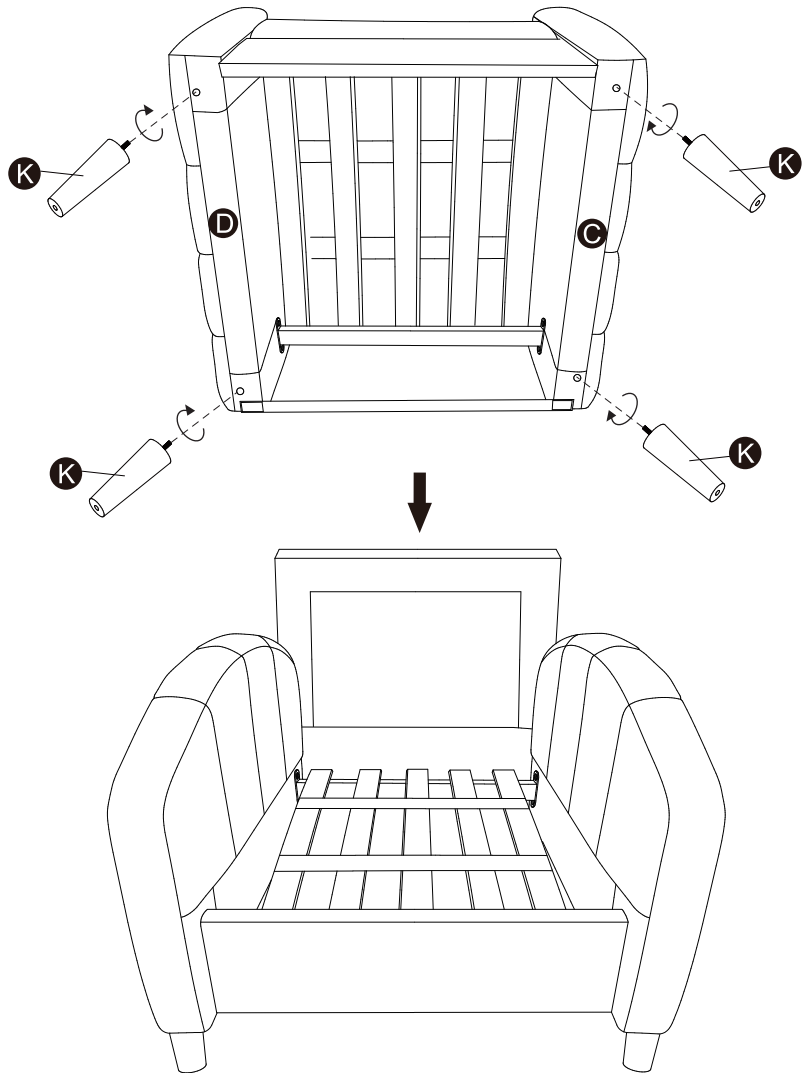
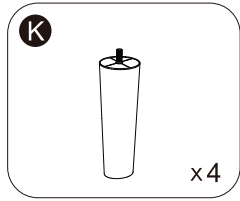
STEP 5



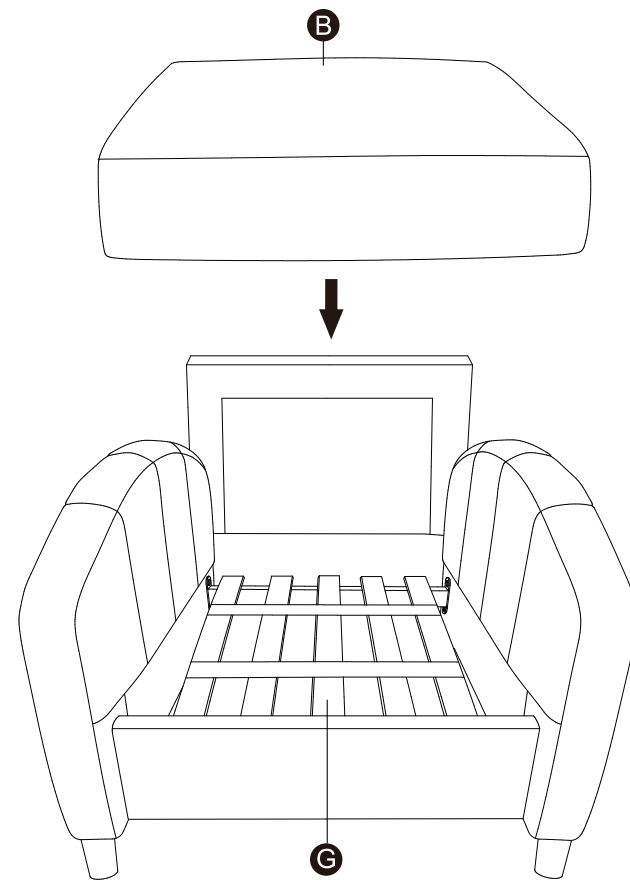
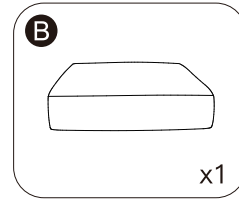
↓ Paste



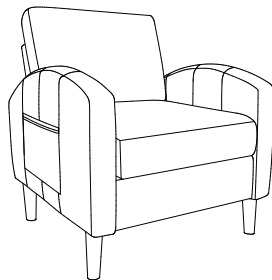
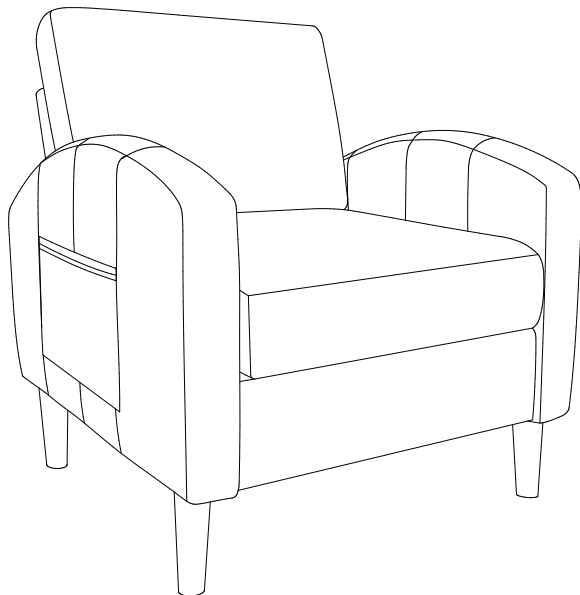
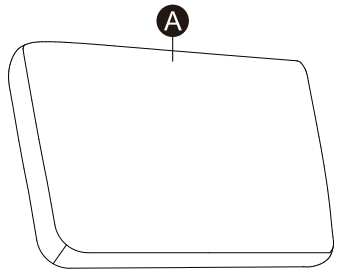
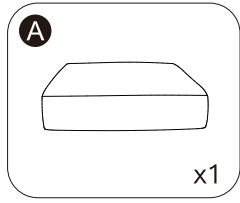
STEP 6



STEP 7



STEP 8



After-Sale Support

Dear Customer,

Thank you for choosing to purchase our products! We attach great importance to your shopping experience and hope to ensure that you are satisfied with this purchase.

Should you have any questions, please contact us through the original purchase platform. We will reply your messages as soon as possible, please kindly wait for the response from our team.

Thank you again for your understanding and support! If you have any other questions, please feel free to contact us at any time.

Best Regards,
After sales service team