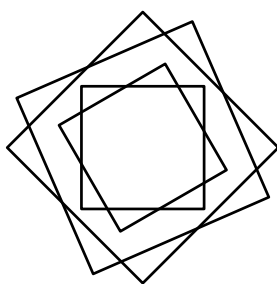
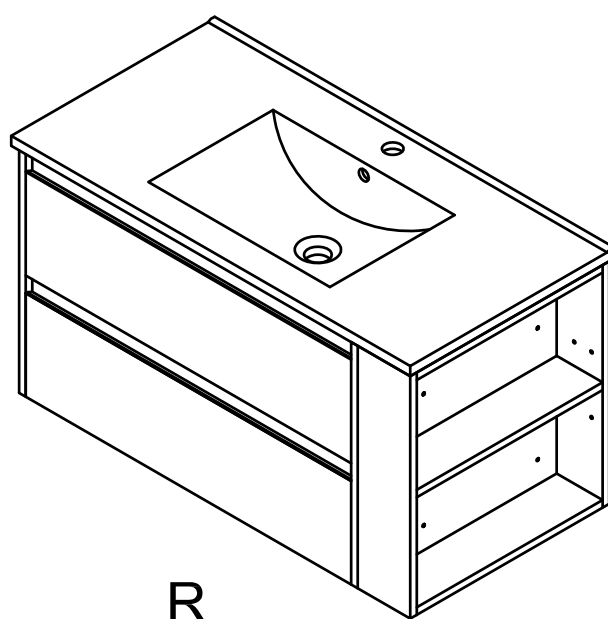
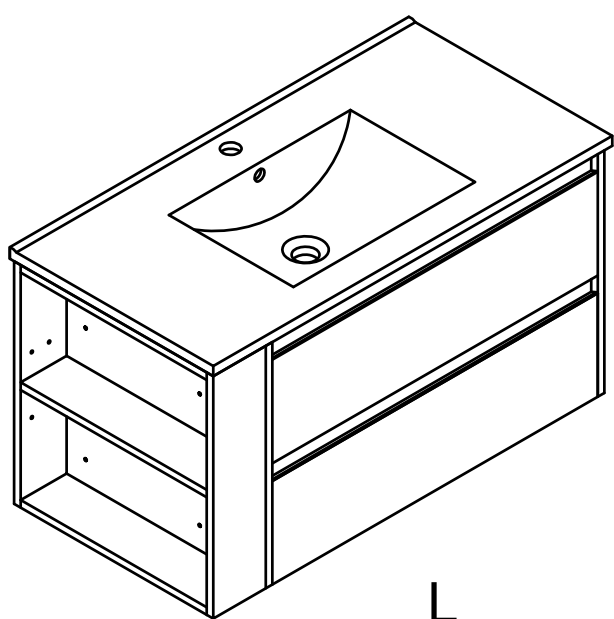


Installation Manual


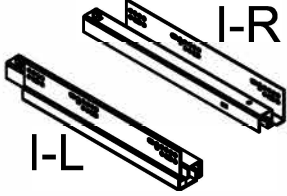
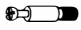





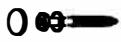





MOTIVATE
YOUR LIFE !



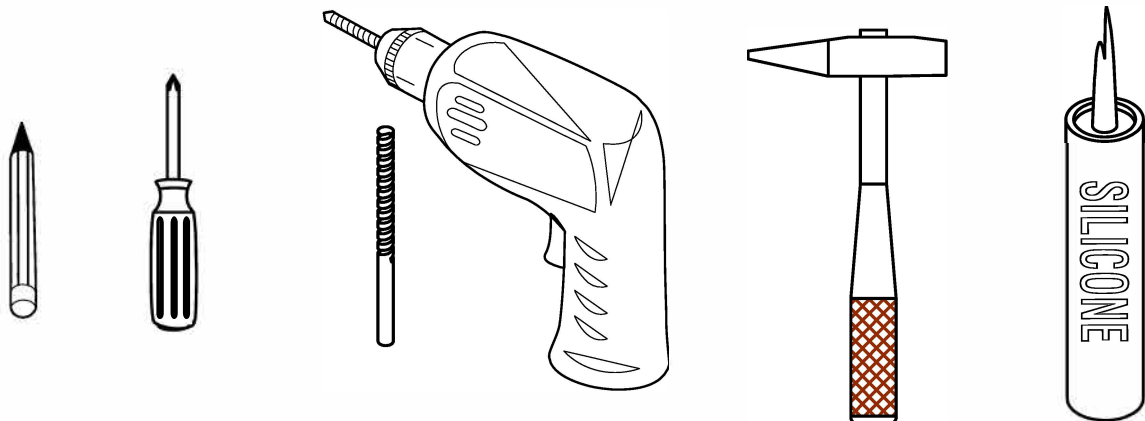
Thank you for shopping with us!

We encourage you to take a few minutes to go through this booklet. It contains important information on installation and care tips to keep your furniture looking as good as new.

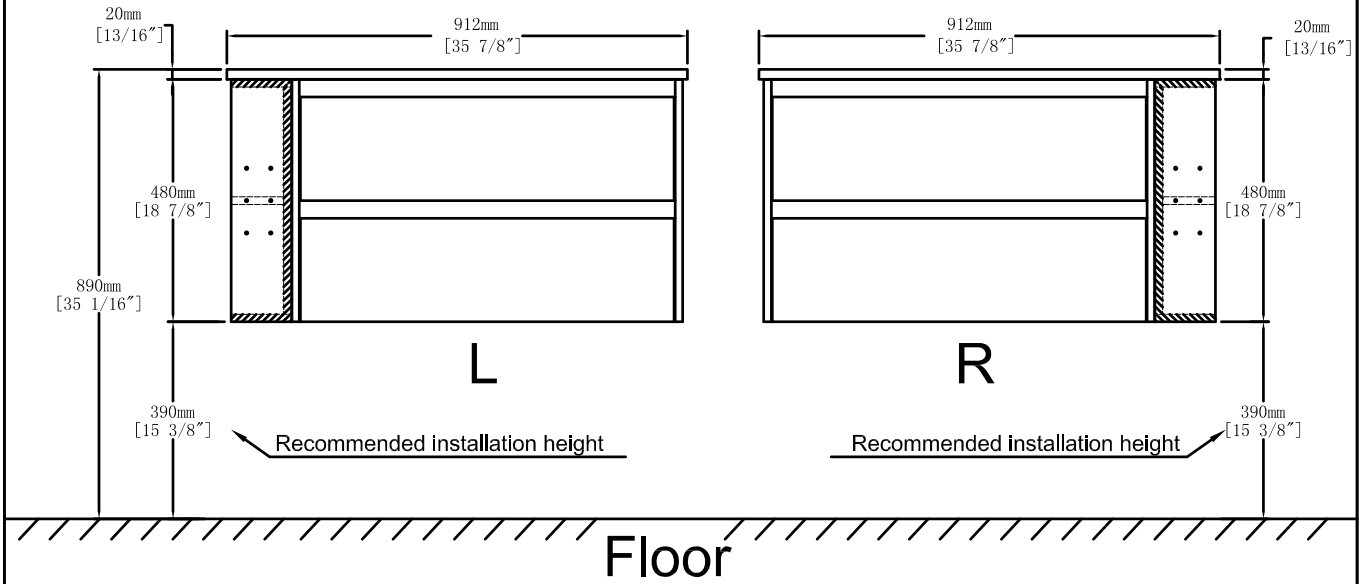
Hardware

NO.	Draw	QTY	NO.	Draw	QTY
A	 Screws Ø4x14mm	40	I	 I-R I-L Track	2
B	 Two-in-one connector	73			
C	 Two-in-one connector	73			
D	 Wood plug	2	J	 Screws Ø4x25mm	4
E	 Plastic anchor(Ø10mm)	4	K	 Screws Ø4x20mm	8
F	 Screws for fix on the wall	4	L	 Activity layer board accessories	4
G	 Bracket (53x70x44mm)	2	M	 Anti-collision gasket	8
H	 Bracket (19x19x35mm)	2	N	 Screwdriver	1

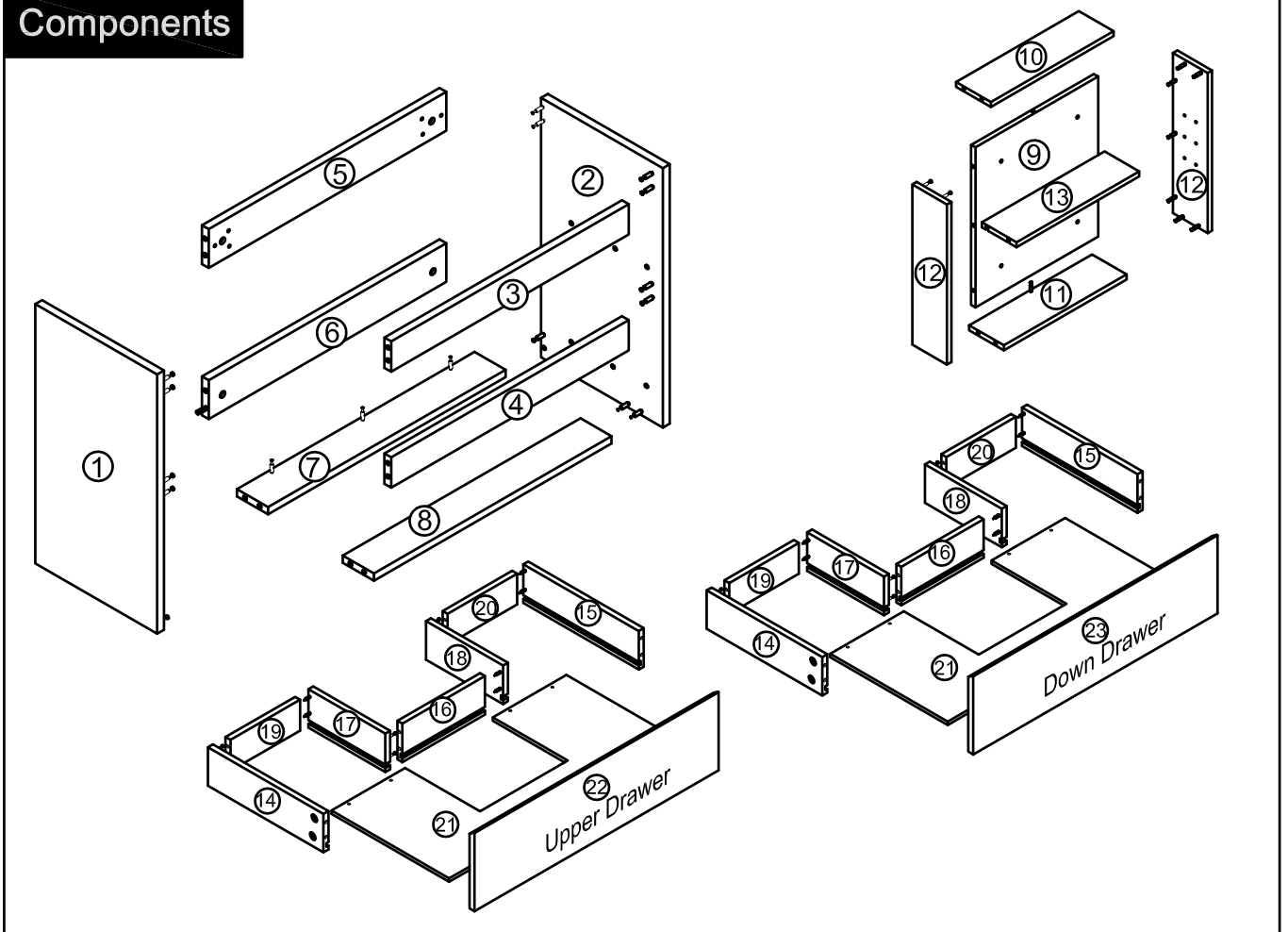
Recommended tools



Dimensions

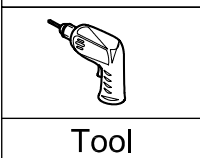
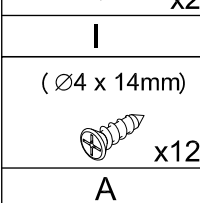
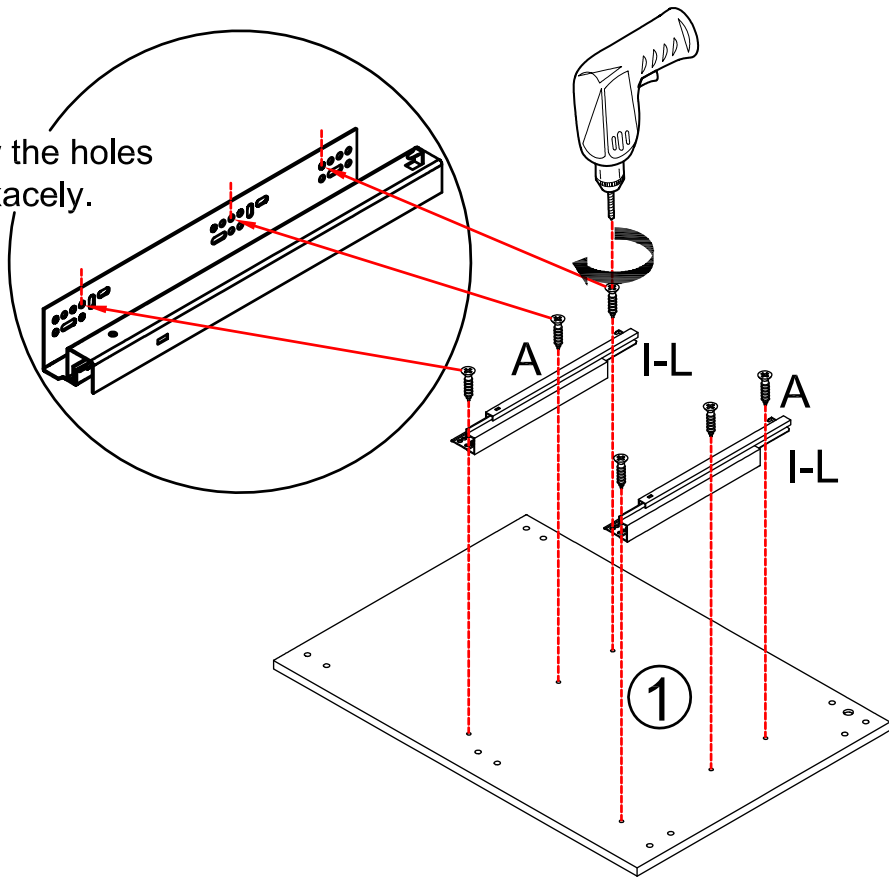


Components

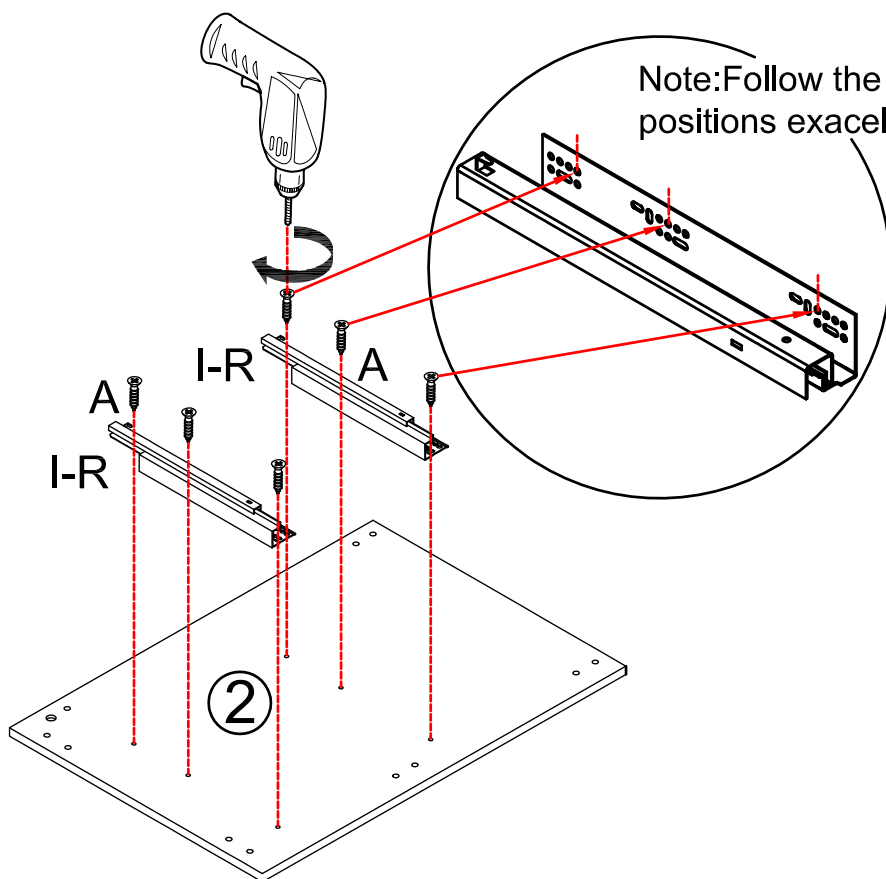


Step 1

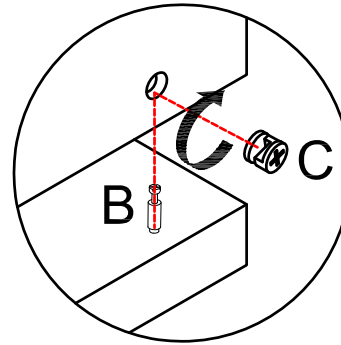
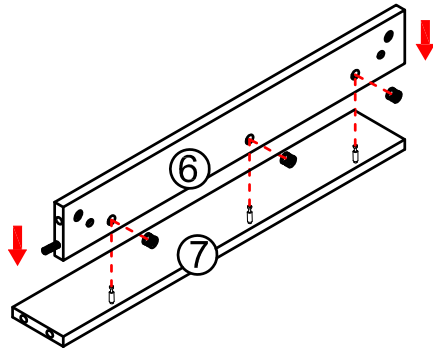
Note: Follow the holes positions exactly.






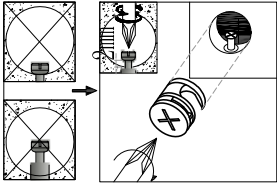
Note: Follow the holes positions exactly.



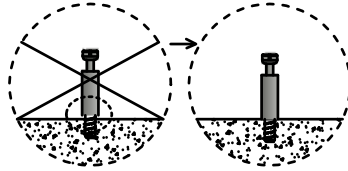
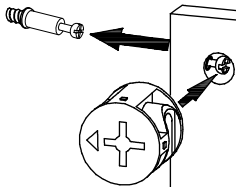
Step 2



	x3
B	
	x3
C	
	
N	

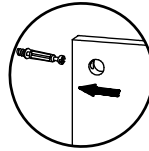


Attention: The lock handle arrow points to the side face.

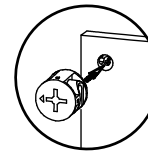


Notes: Screw installation depth as shown

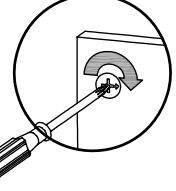
first step



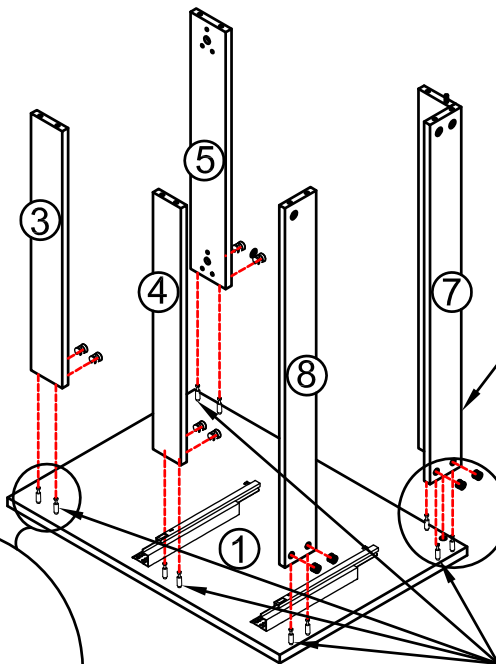
second step



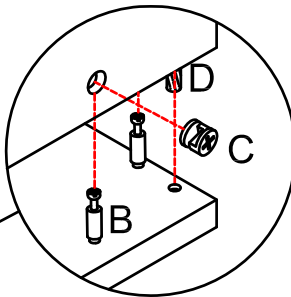
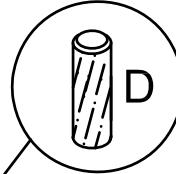
third step

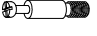





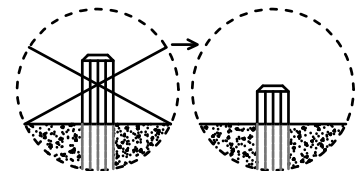
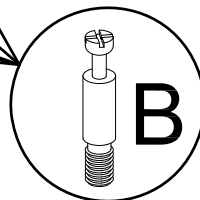
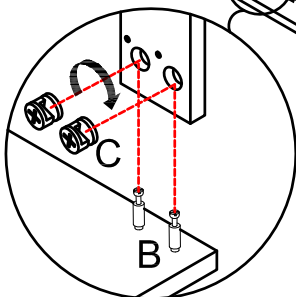
Step 3



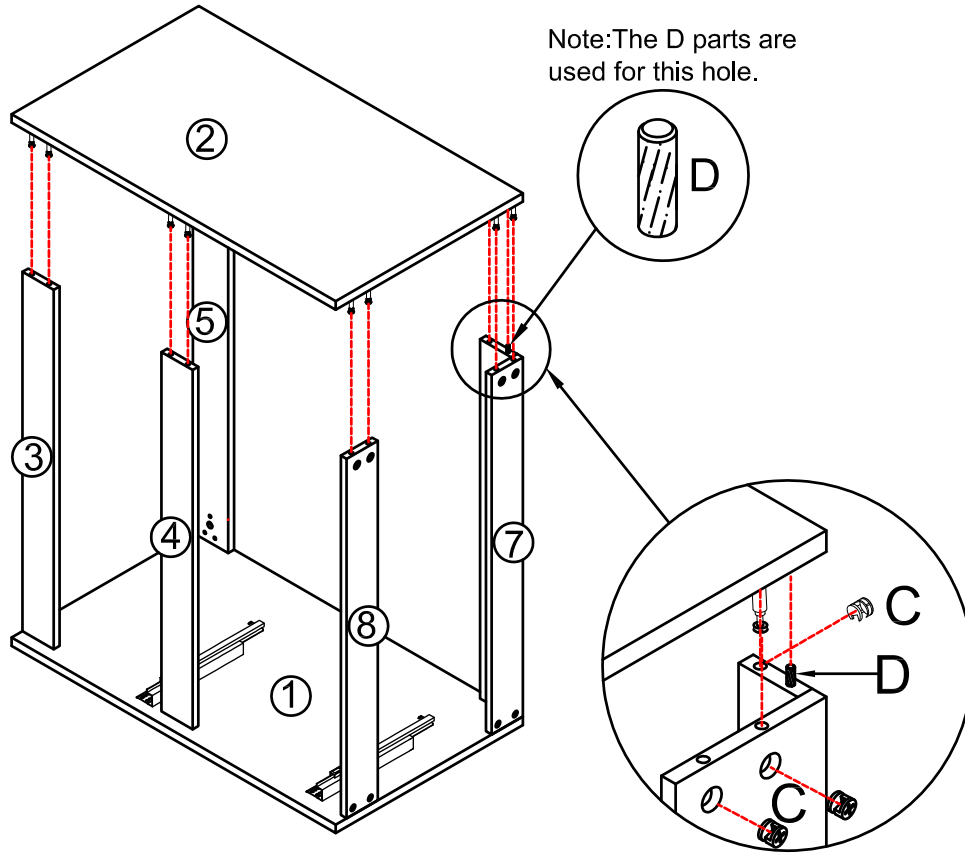
Note: The D parts are used for this hole.







	x11
B	
	x11
C	
	x1
D	
	
N	

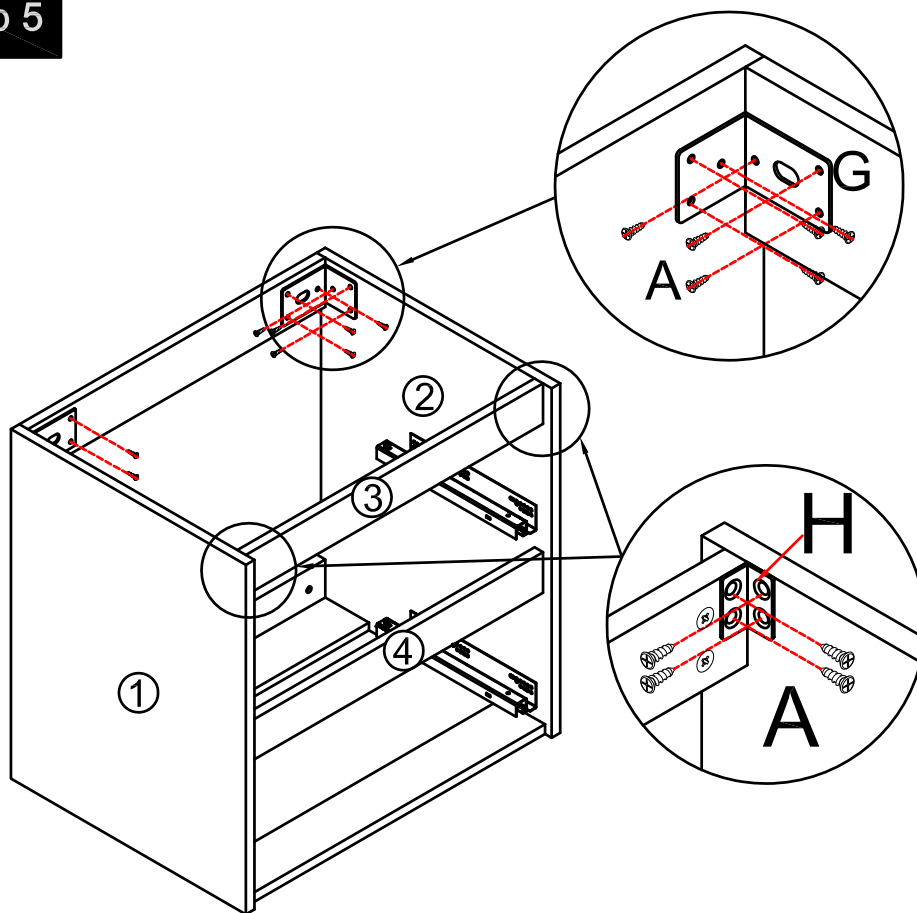


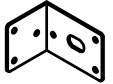



Step 4



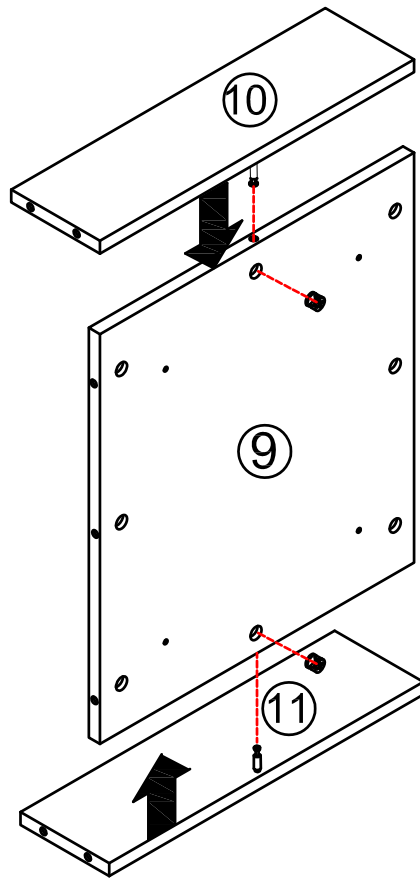
-  x11
- B
-  x11
- C
-  x1
- D
- 
- N



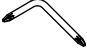
Step 5

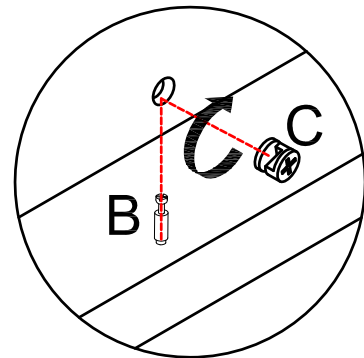


-  x2
- G
-  x2
- H
- ($\varnothing 4 \times 14\text{mm}$)
-  x20
- A
- 
- Tool

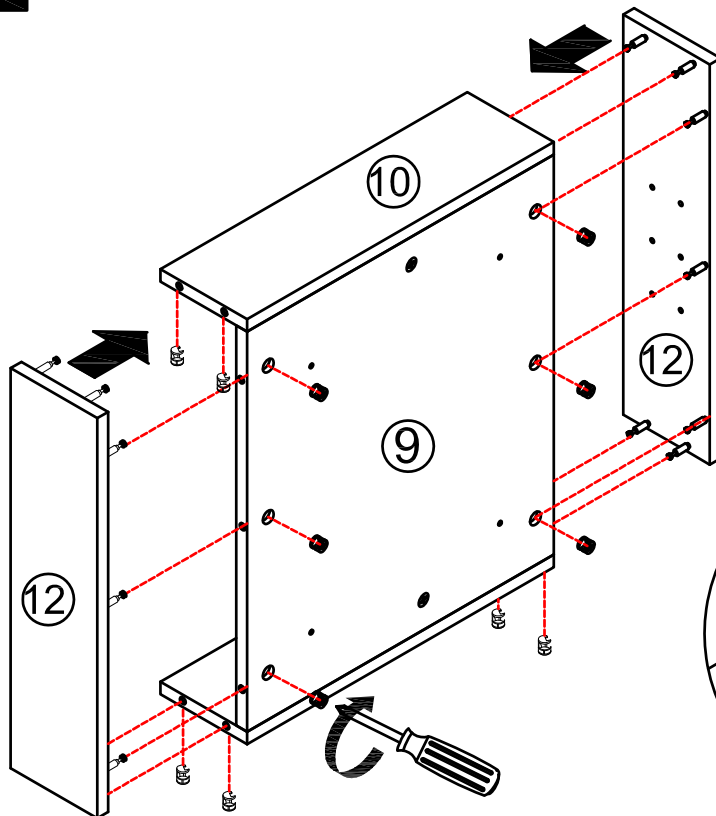
Step 6

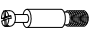

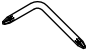


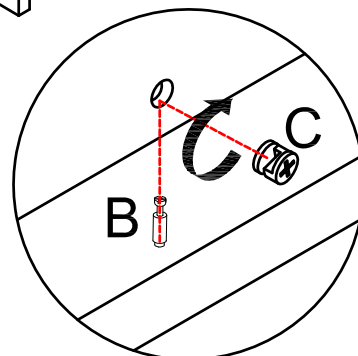
	x2
B	
	x2
C	
	
N	



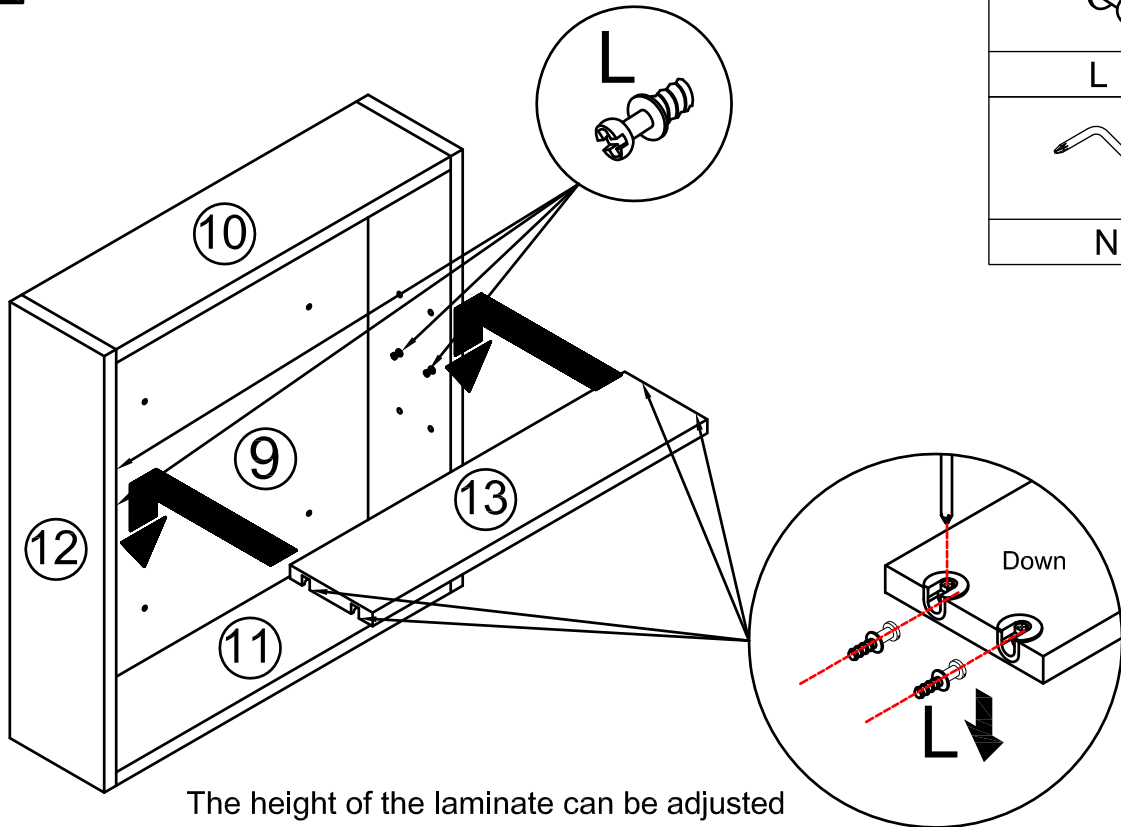
Step 7



	x14
B	
	x14
C	
	
N	



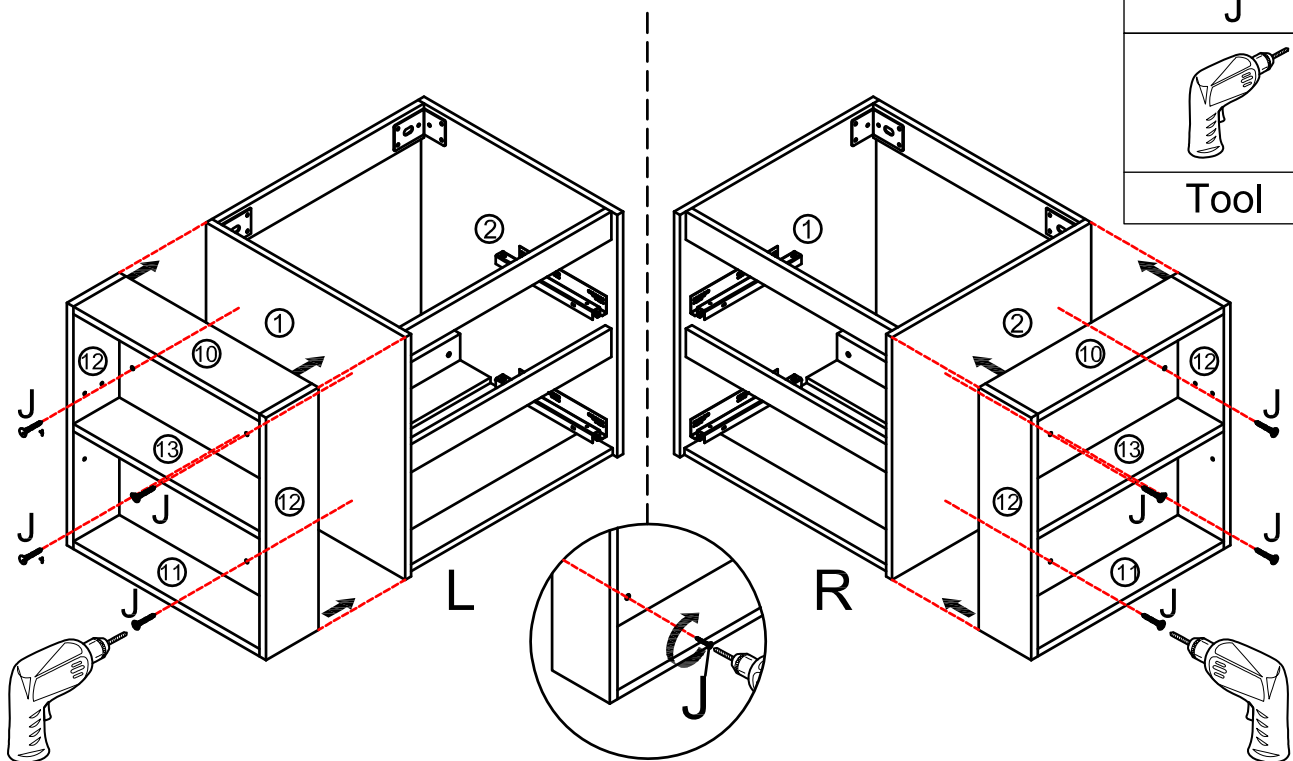
Step 8



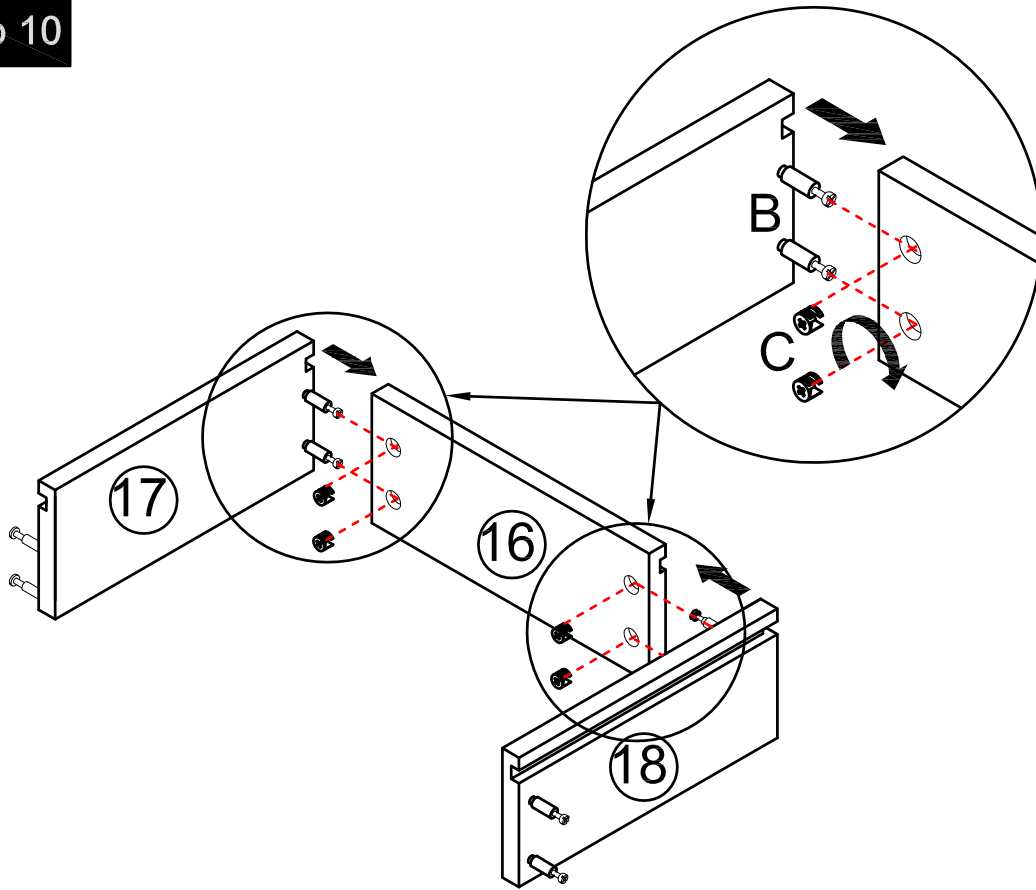
The height of the laminate can be adjusted according to the position of the holes.



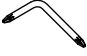
Step 9

The side shelf can be installed on the left or right side according to individual needs.

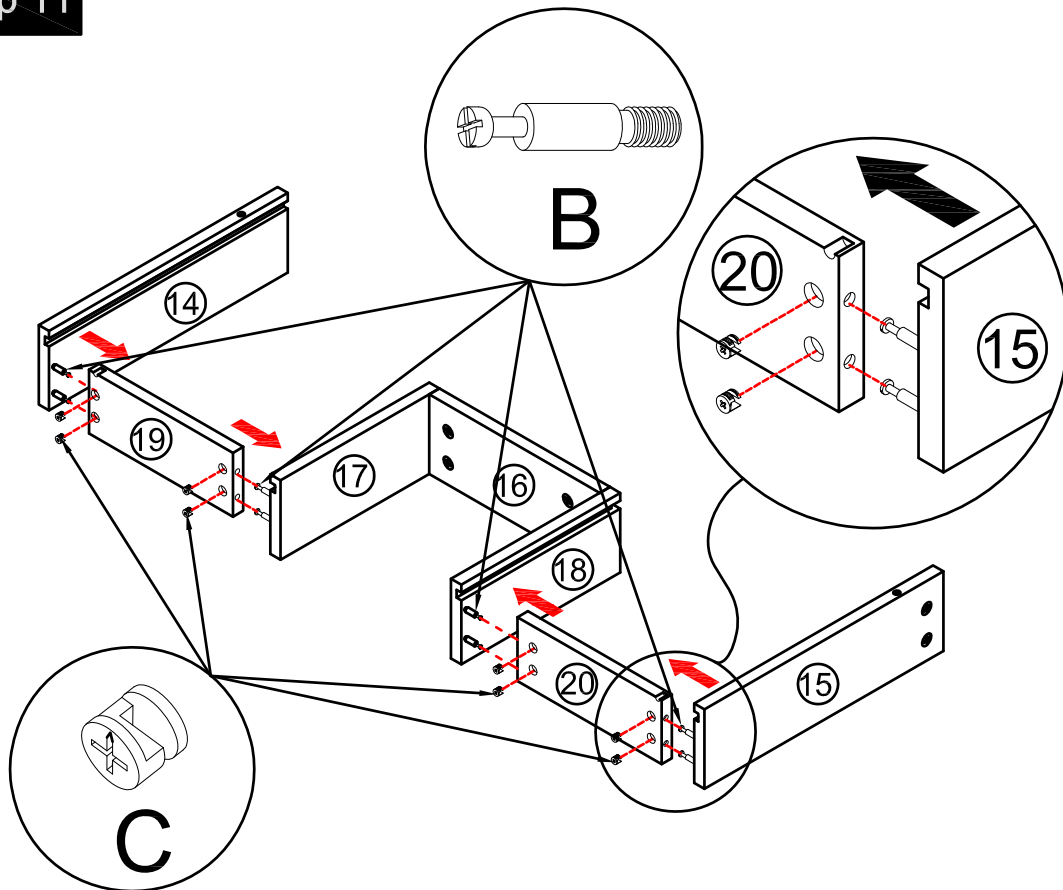




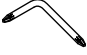
Step 10



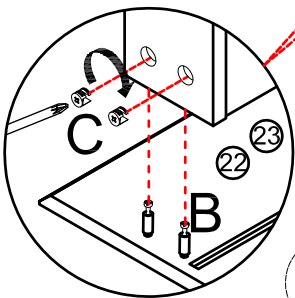
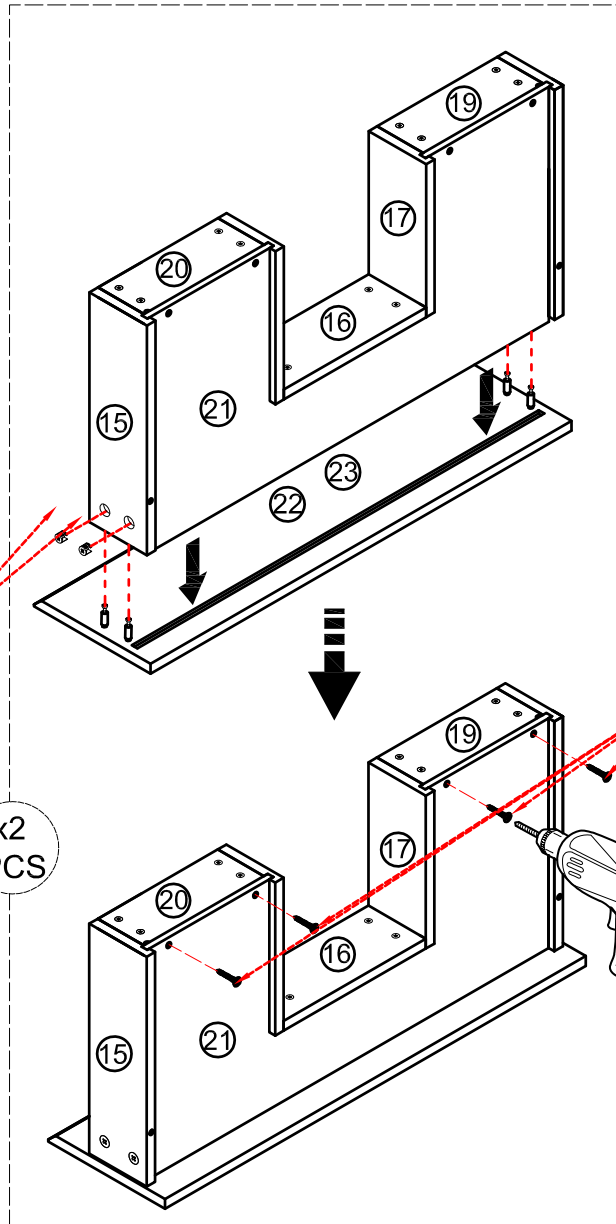
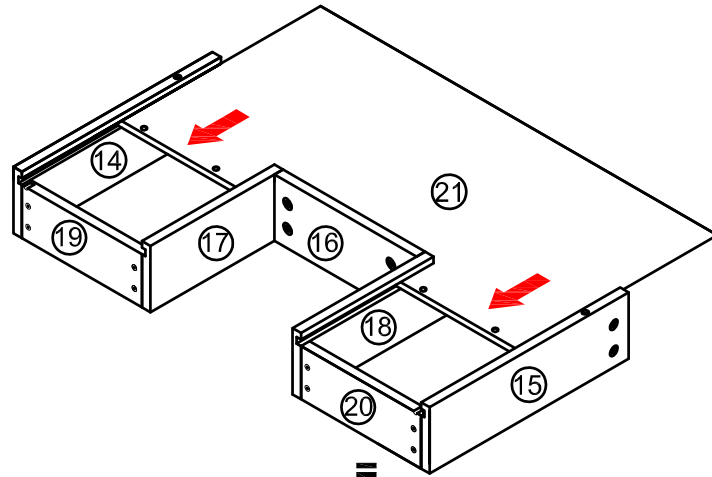
	x8
B	
	x8
C	
	
N	

Step 11

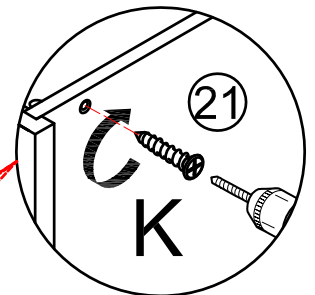


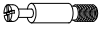

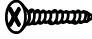
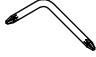

	x16
B	
	x16
C	
	
N	

Step 12



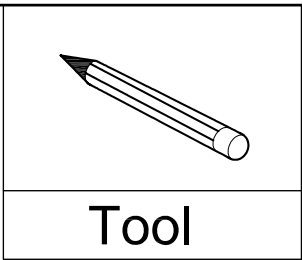
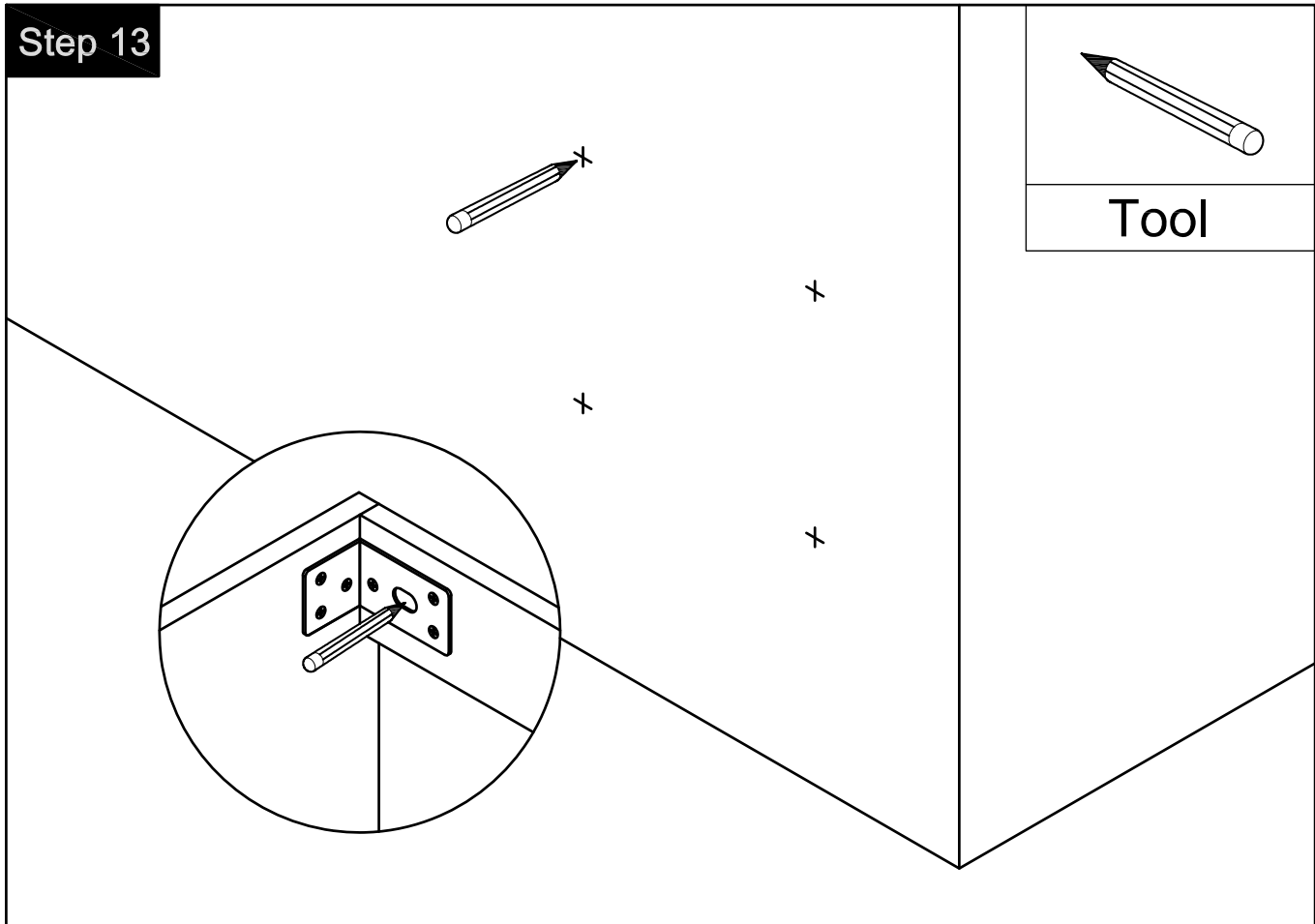
x2
PCS



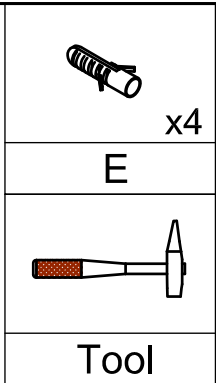
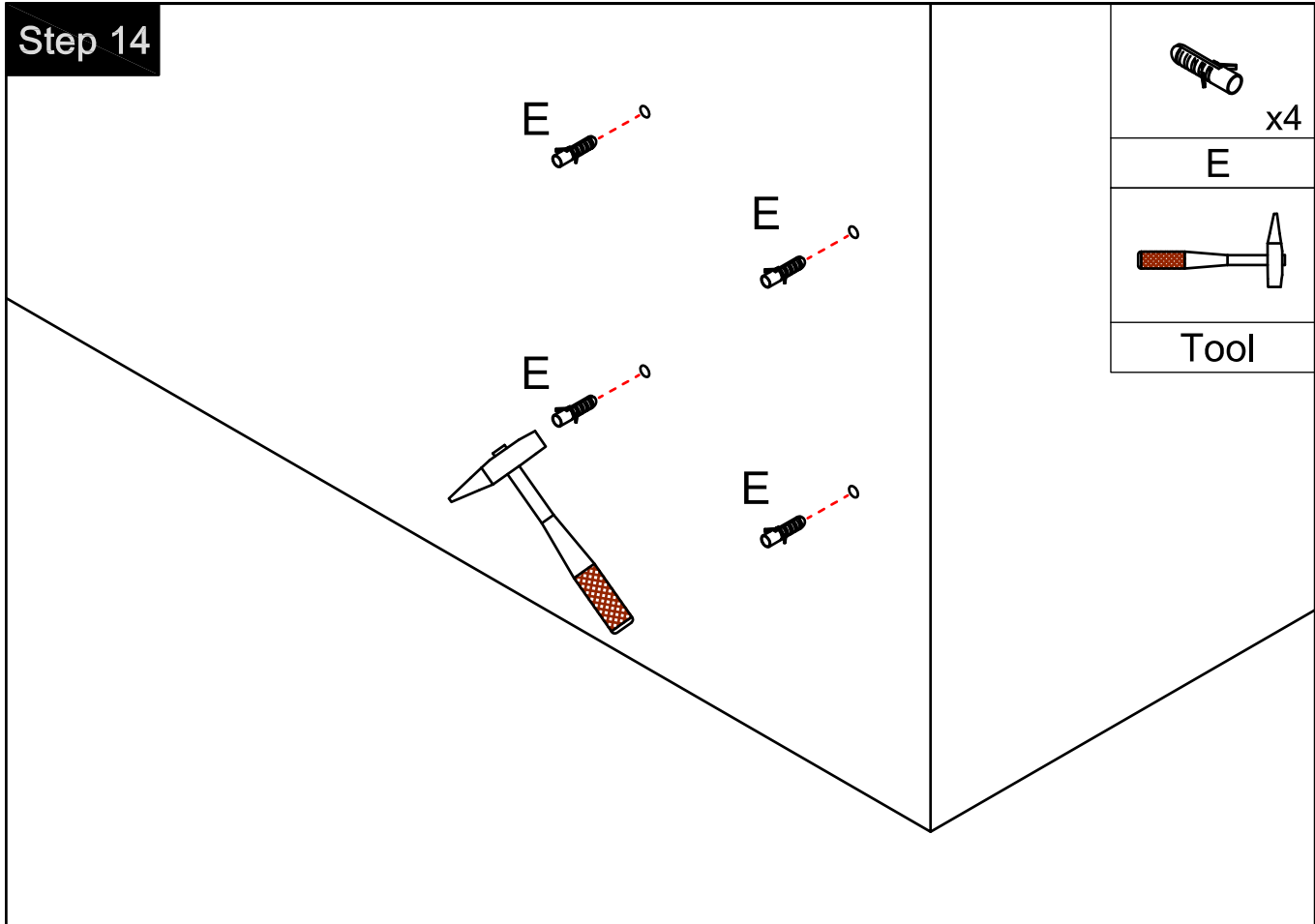
	x8
B	
	x8
C	
($\varnothing 4 \times 20\text{mm}$)	
	x8
K	
	
N	
	
Tool	

The installation of ②② and ②③ is as above.

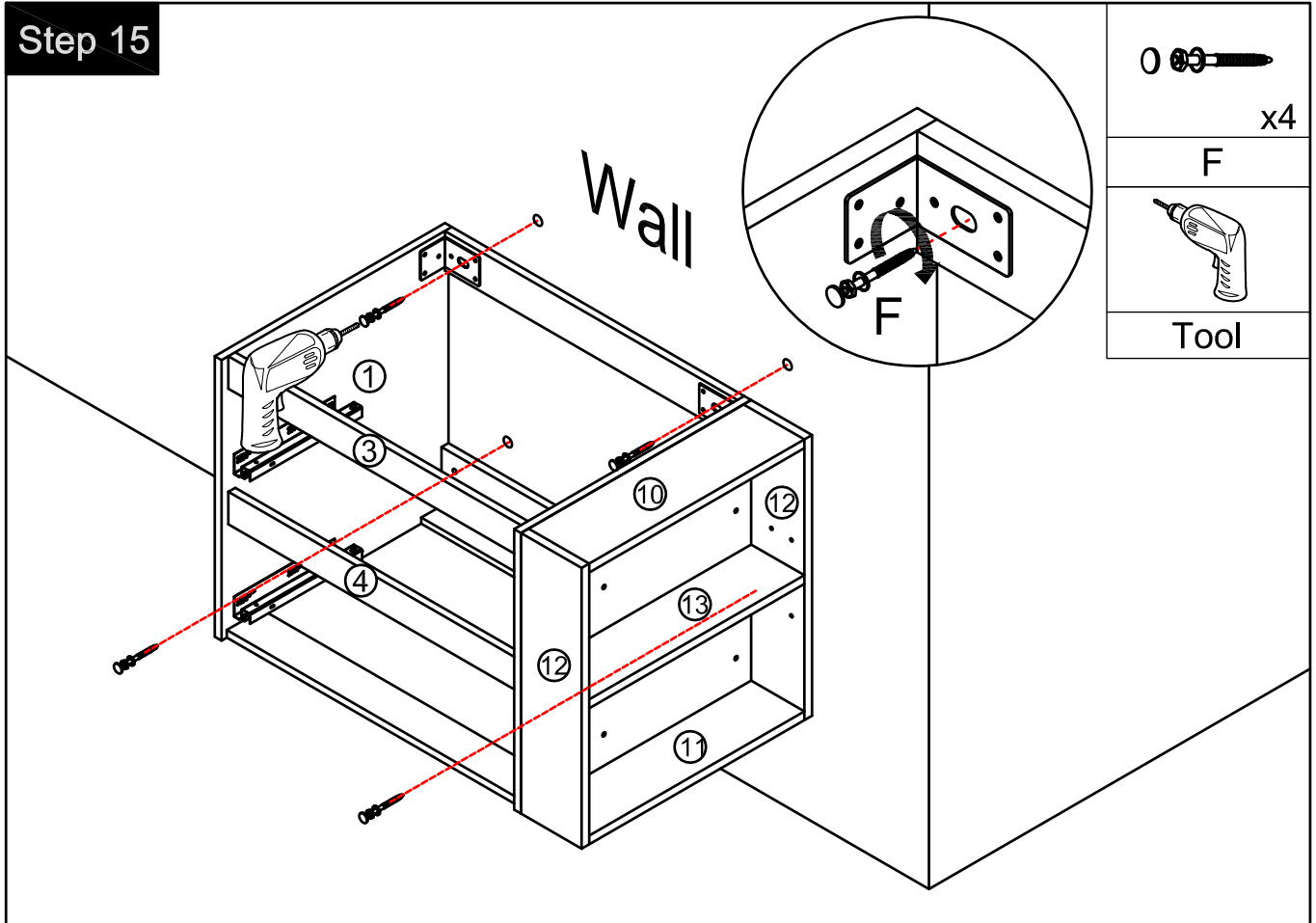
Step 13



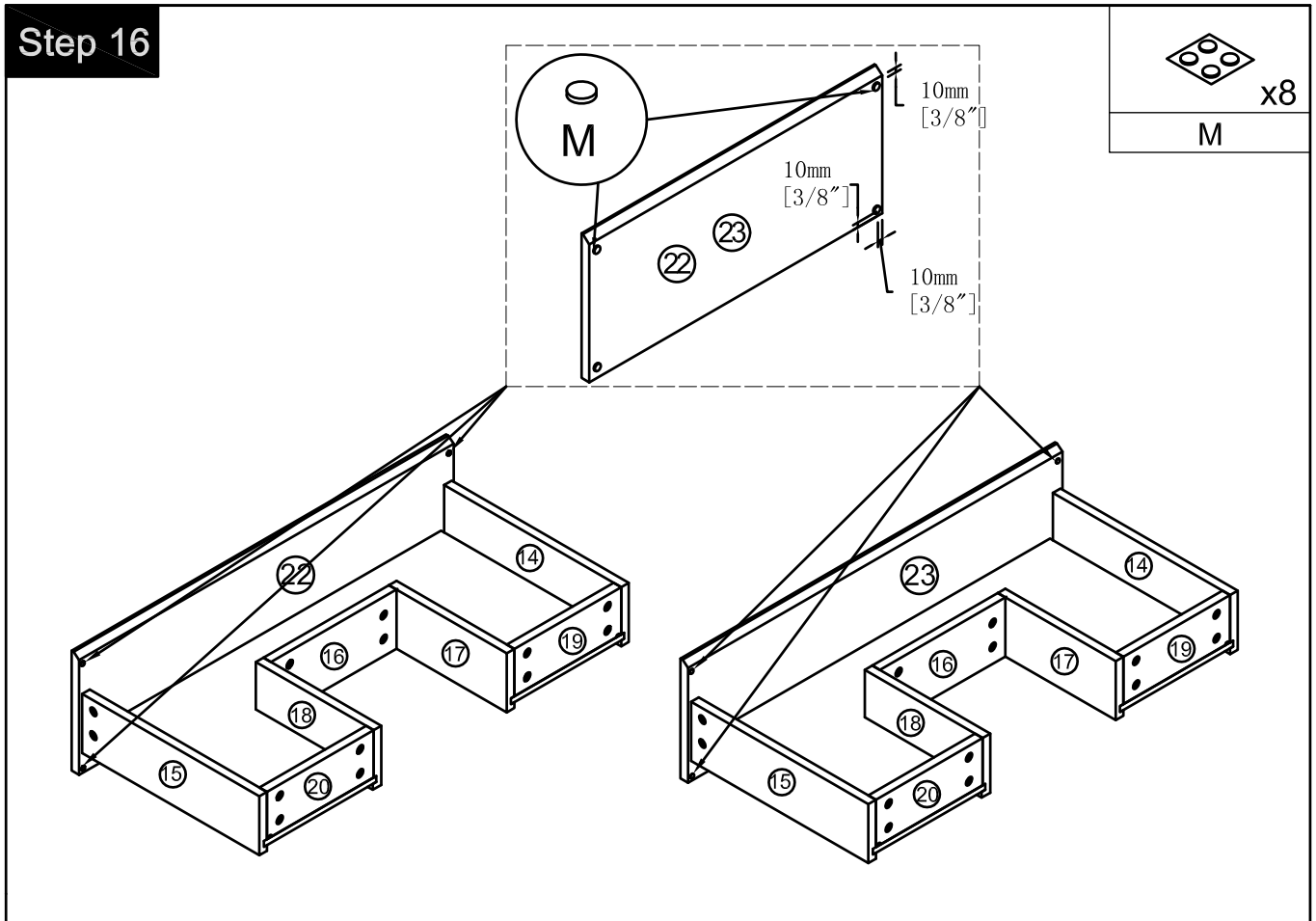
Step 14



Step 15



Step 16



Step 17

(Ø4 x 14mm)



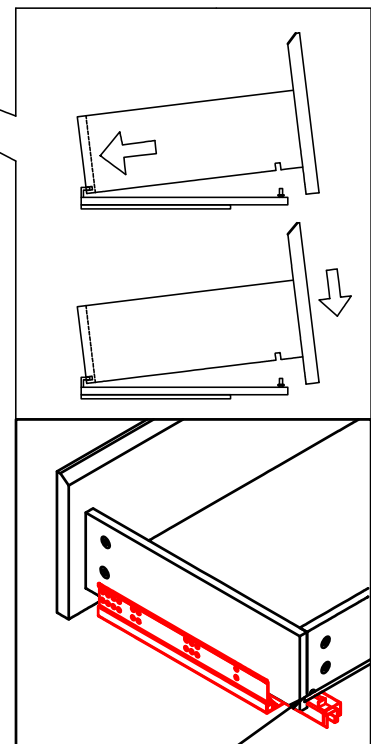
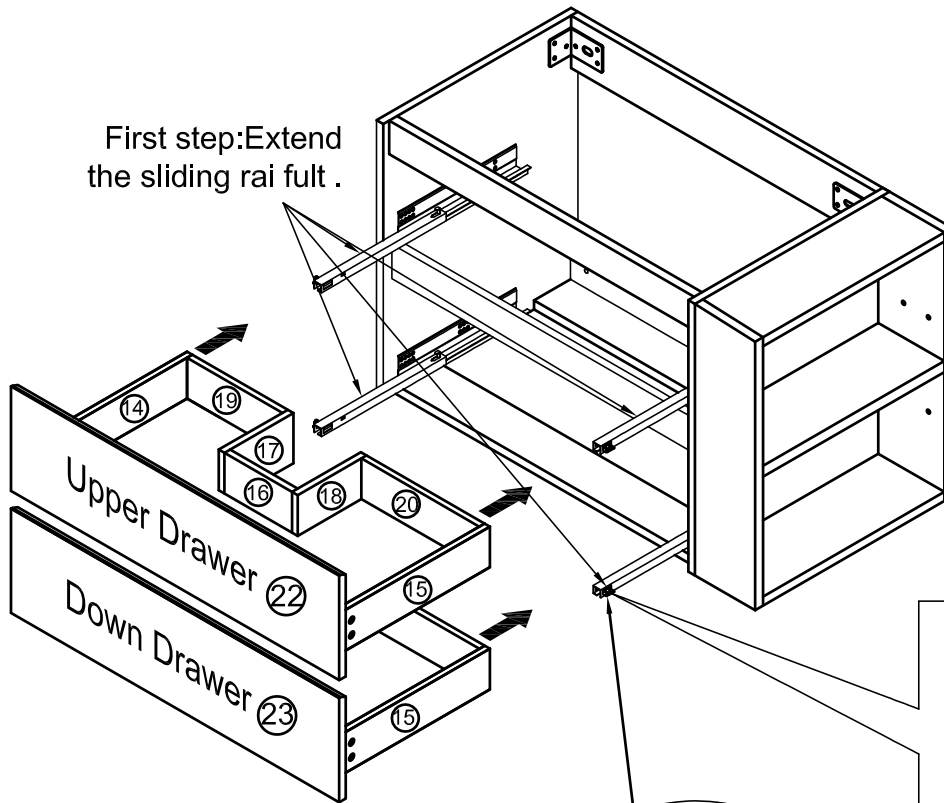
x8

A

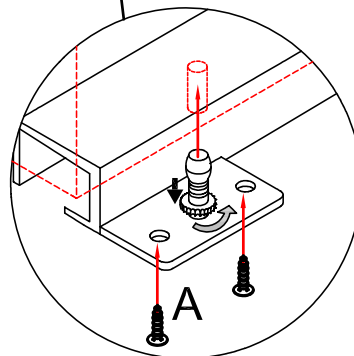


Tool

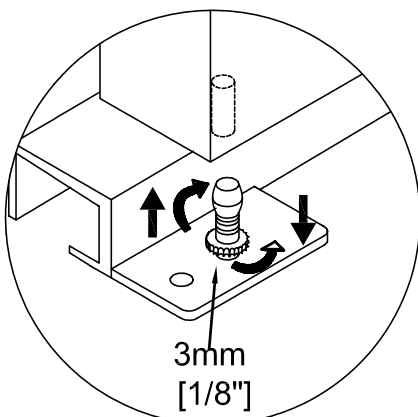
First step: Extend the sliding rail full.



Second step: Tuck the rear holes.

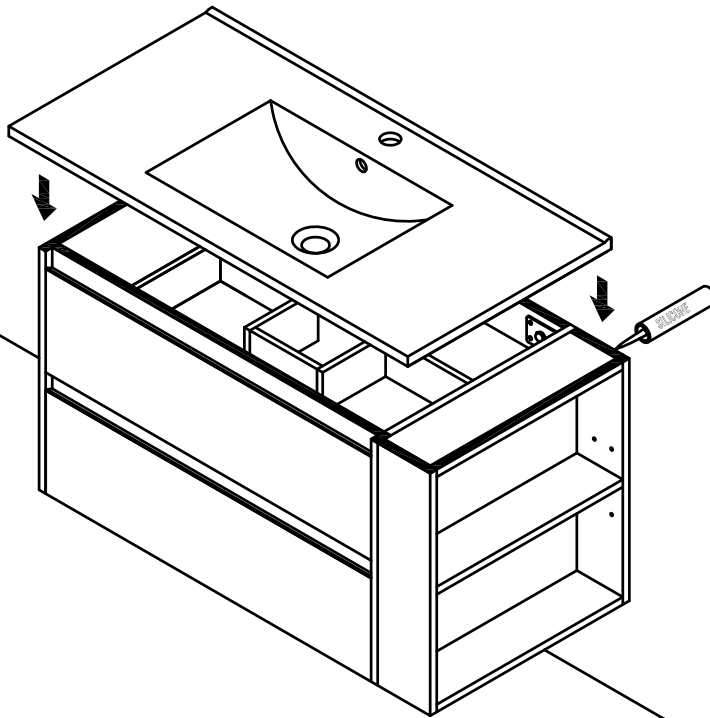


Third step: The bottom of the rail is fixed with screw A.



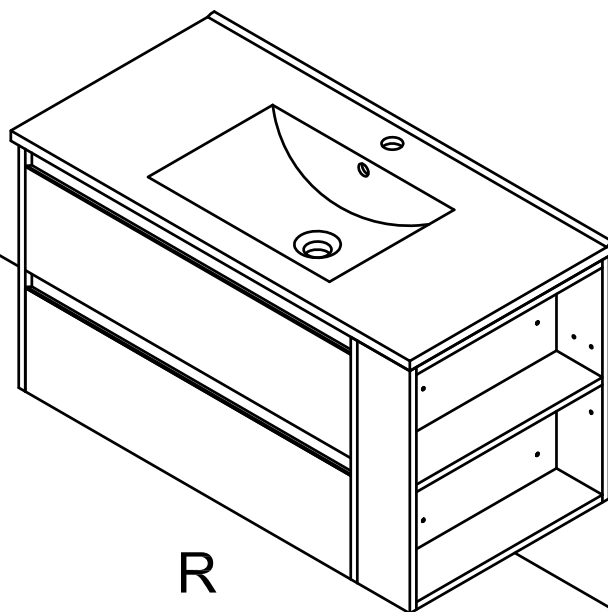
Note: The rails adjust their height 3mm.

Step 18

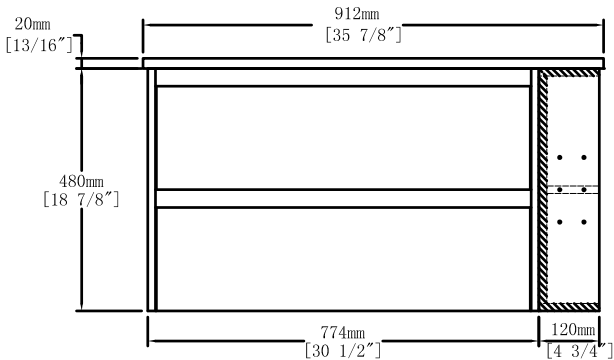


Finished

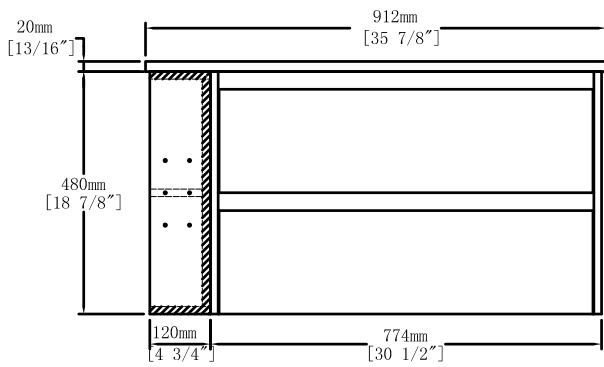
The installation of the right cabinet is shown in the diagram, and the installation method of the left cabinet is the same as that of the right cabinet.



Dimensions

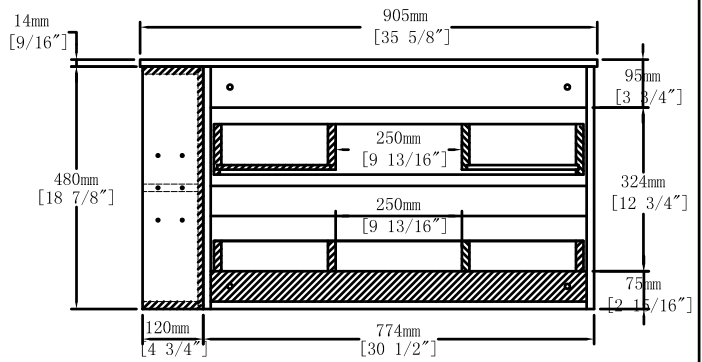


R



L

Front View



Back View

CARE CLEANING AND MAINTENANCE

1. Dust regularly with a soft , dry cloth.
2. Avoid the use of all chemicals household cleaners, abrasives, or cleaners that contain lemon, vinegar, or other acids that may damage the finish.
3. Excessive exposure to sunlight and extreme changes in temperature and moisture can damage wood furniture.
4. The sink top is resilient, but care needs to be taken to preserve its appearance.
5. Do not place hot appliances, such as curling irons and hot hair dryers directly on the countertop. Wipe spills immediately.