

## **Instruction Manual**

Thank you for shopping with us!

# Notes

## **Installation Precautions**

- The compressed cushion liner package needs to be torn open and left to stand for 120 hours before inserting the cushion liner into the cloth cover.
- It is recommended that 2 people work together to assemble the product.

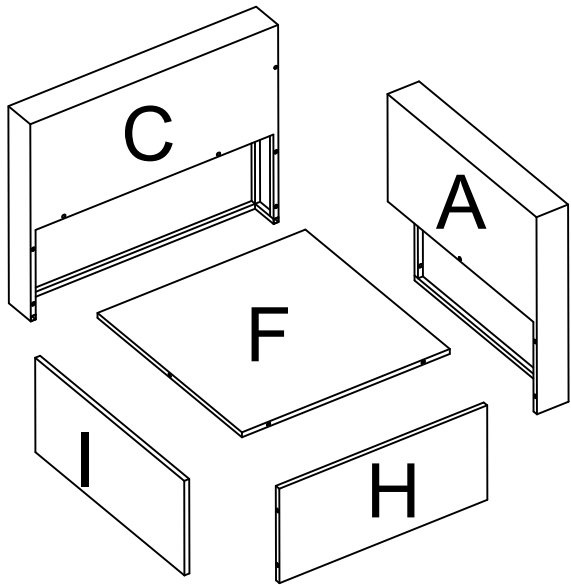
## **Return Policy**

- Contact the seller in advance for support if you choose to return the product.
- Ensure that the product is in good condition and returned with the original packaging, along with all original proof of purchase, manuals, certificates, and accessories included.
- Disassemble any items that required assembly before returning the product.

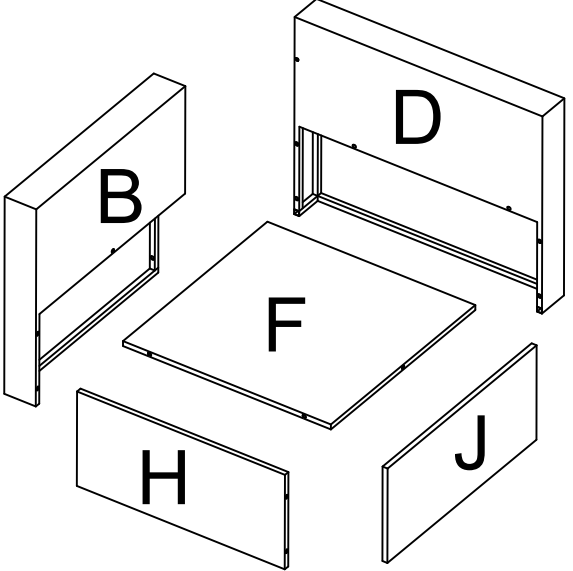
## **Warning**

Seller is responsible for the product-related issues occurred upon receipt, but will not be responsible for the personal injury, property damage or loss resulting from the incorrect assembly, improper use, inadequate maintenance or neglect of this product.

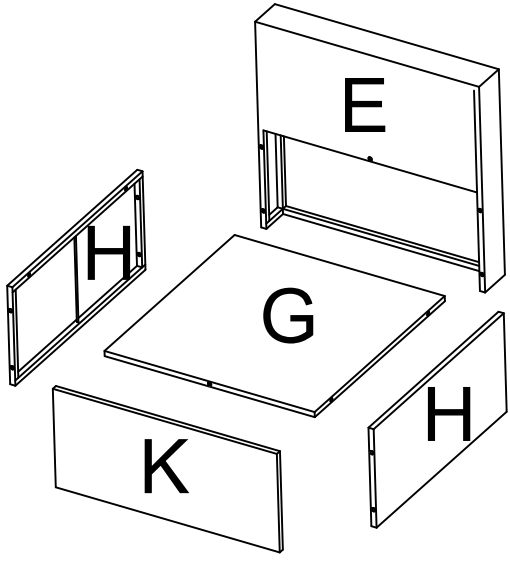
# Exploded View



Right corner sofa

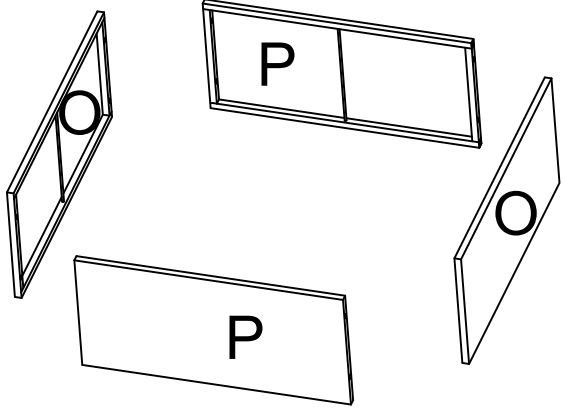


Left corner sofa



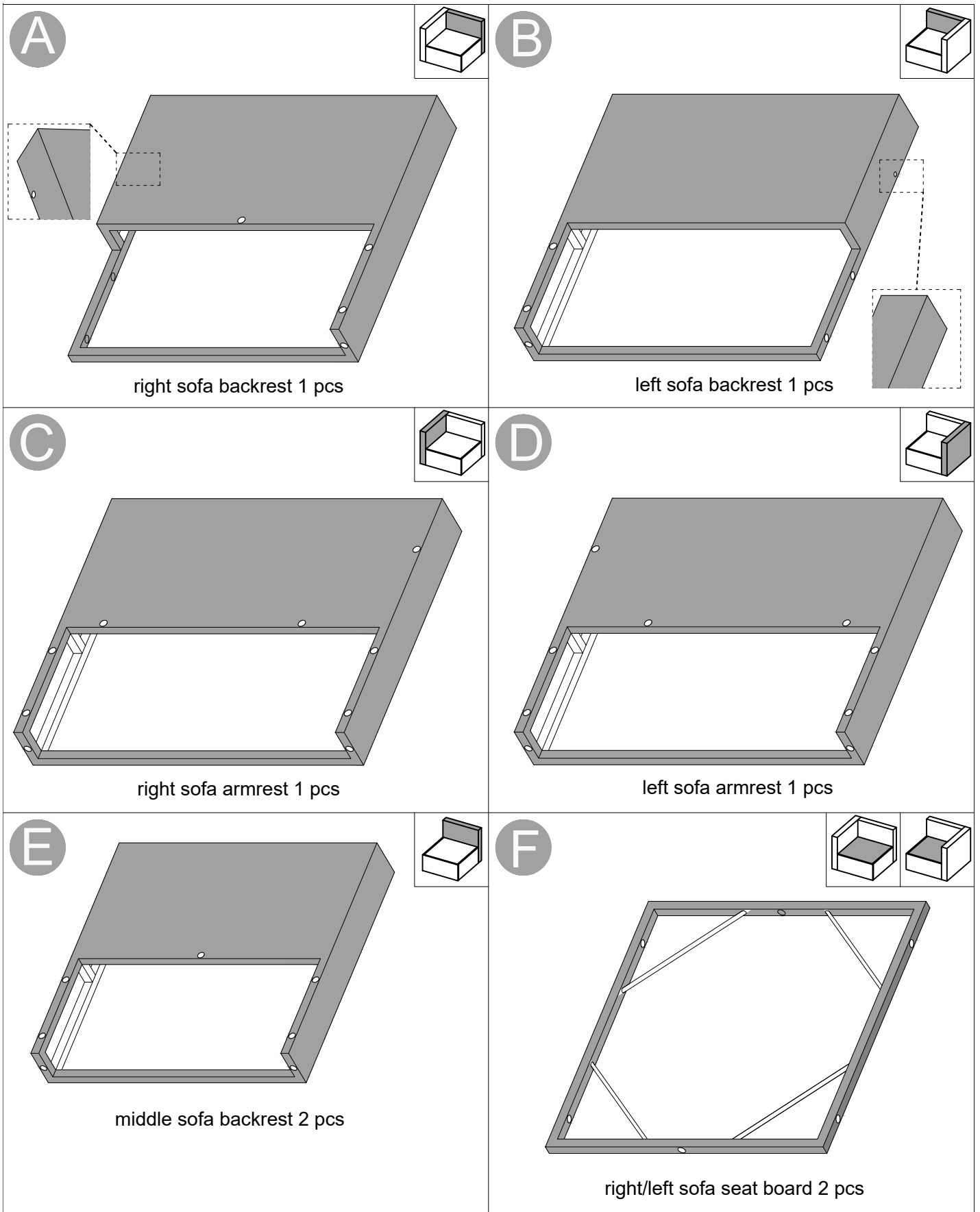
Middle sofa

x2

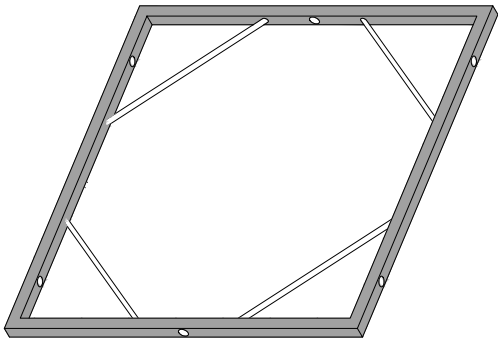


Coffee table

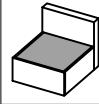
# Parts List



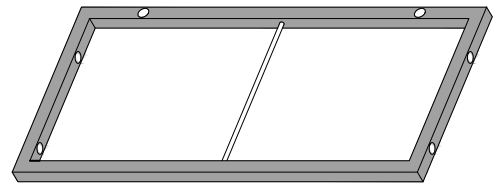
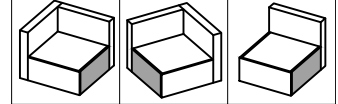
G



middle sofa seat board 2 pcs

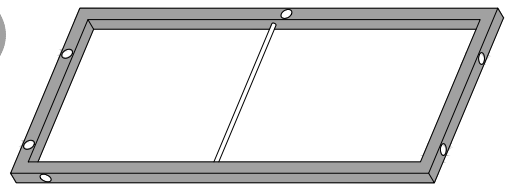


H

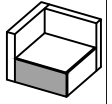


sofa side board 6 pcs

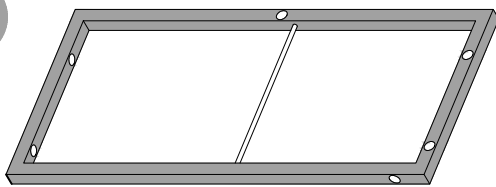
I



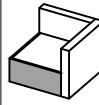
right sofa board 1 pcs



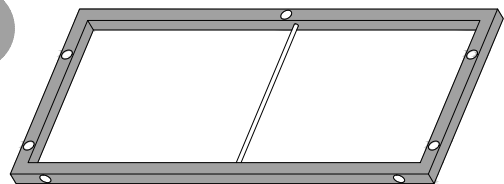
J



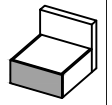
left sofa board 1 pcs



K



middle sofa board 2 pcs



O

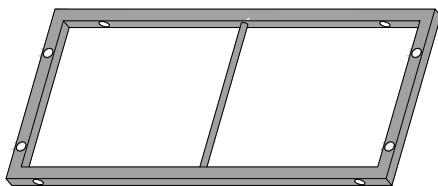
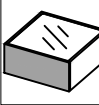


table part1 2 pcs



P

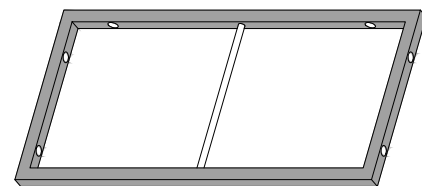
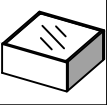


table part2 2 pcs



Q

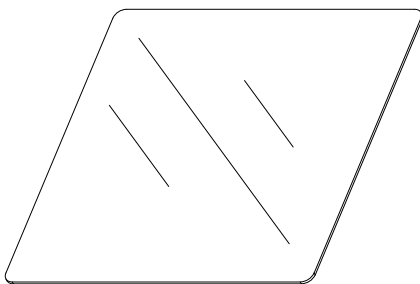
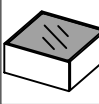
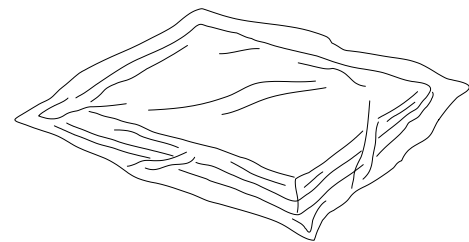


table glass 1 pcs

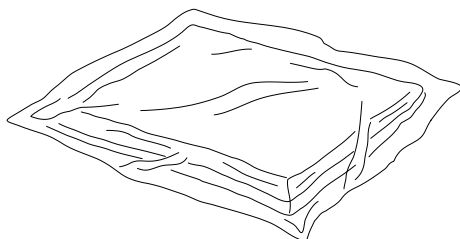


R



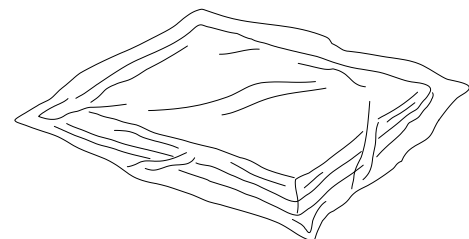
seat cushion insert  
1 pcs

S



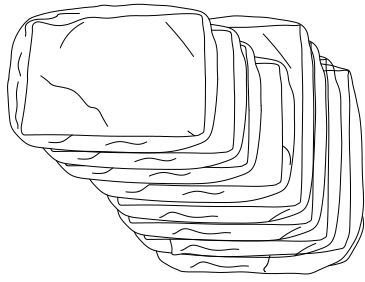
back cushion insert(M)  
2 pcs

T



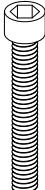
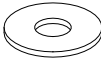

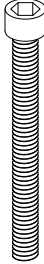
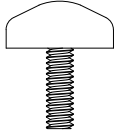
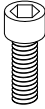
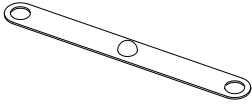


back cushion insert(S)  
1 pcs

U

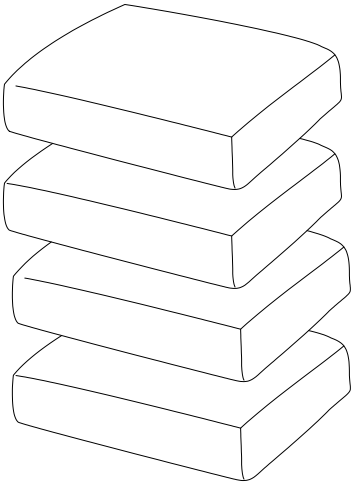


cushion cover  
10 pcs(4+4+2)

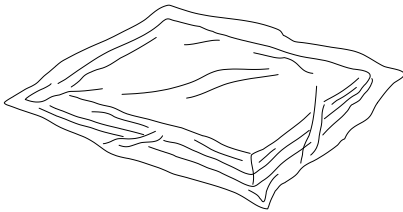
## Hardware List

<p>1</p>  <p>screw M6*35mm 38 pcs</p>	<p>2</p>  <p>shim ø16*6.4*1 92 pcs</p>	<p>3</p>  <p>nut M6 28 pcs</p>	<p>4</p>  <p>screw M6*50mm 28 pcs</p>	<p>5</p>  <p>adjustable screw 20 pcs</p>
<p>6</p>  <p>screw M6*15mm 8 pcs</p>	<p>7</p>  <p>brace bar 4 pcs</p>	<p>8</p>  <p>Inner hexagon spanner 1 pcs</p>	<p>9</p>  <p>open spanner 1 pcs</p>	

**R**

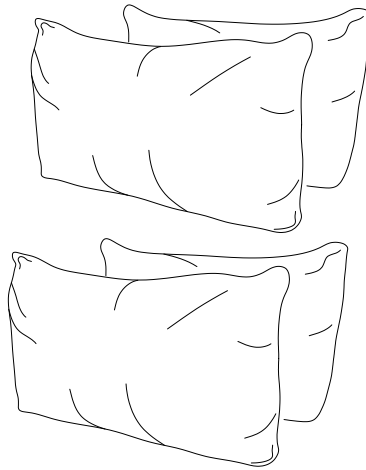


restore to their original state

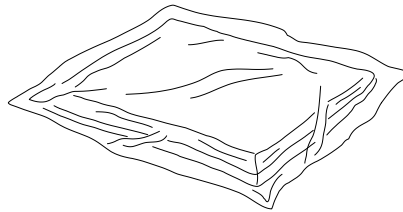


seat cushion insert  
1 pcs(4 pcs/bag)

**S**

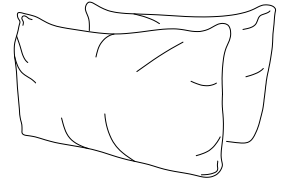


restore to their original state

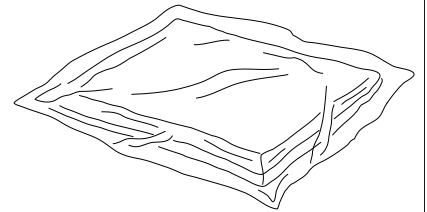


back cushion insert(M)  
2 pcs(2 pcs/bag)

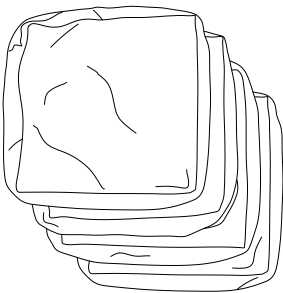
**T**



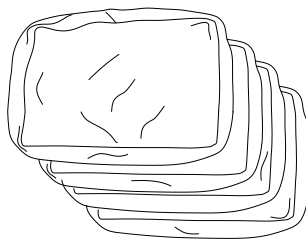
restore to their original state



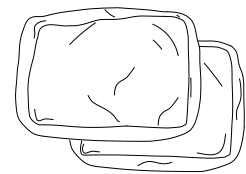
back cushion insert(S)  
1 pcs(2 pcs/bag)



seat cushion cover  
4 pcs



back cushion cover(M)  
4 pcs



back cushion cover(S)  
2 pcs



**U**

A set of cushion covers for the entire patio sectional set(4+4+2)

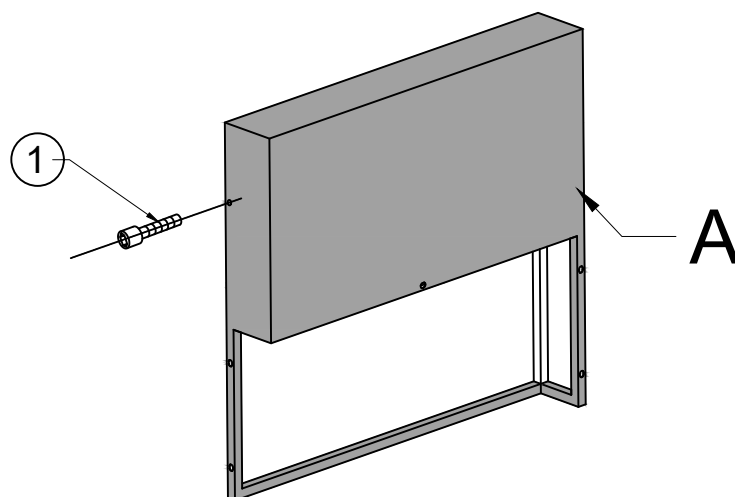
# Step 1

for right sofa  
A x 1

① x1 pcs

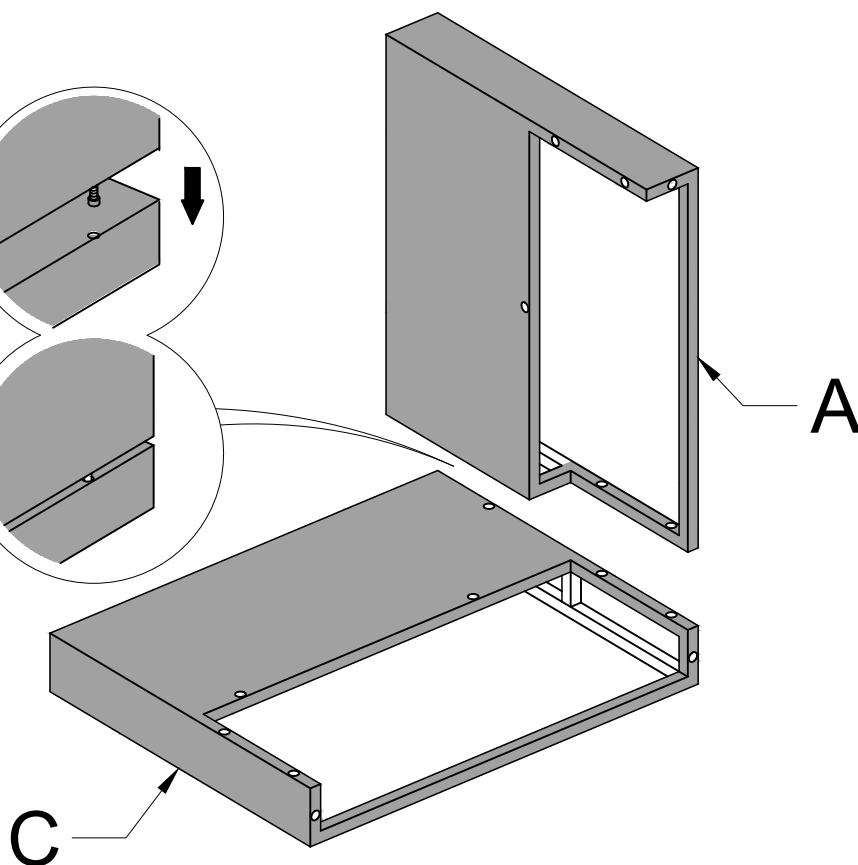
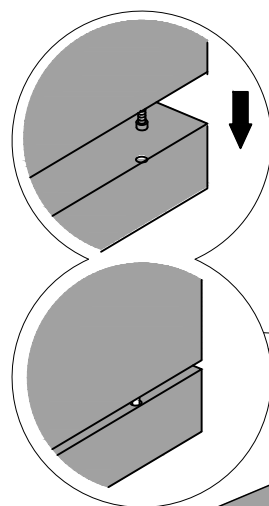


M6x35mm



# Step 2-1




for right sofa  
C x 1

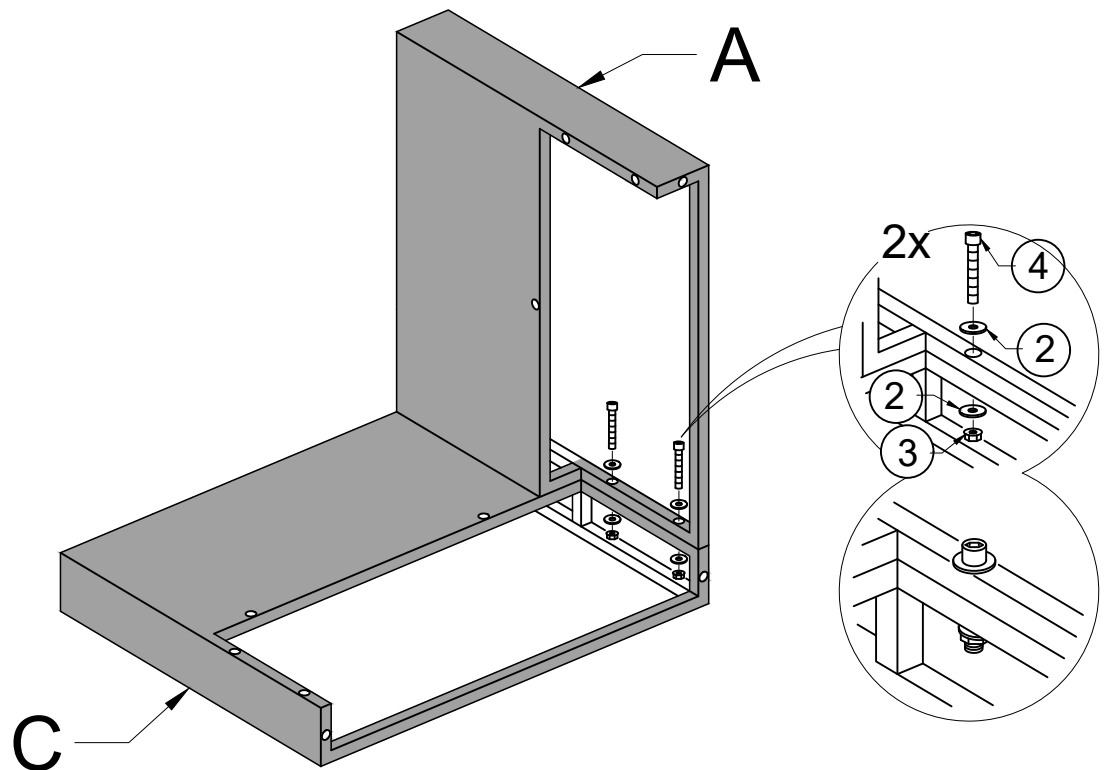




# Step 2-2

for right sofa




②	x4 pcs	③	x2 pcs	④	x2 pcs
					
ø16x6.4x1mm		M6		M6x50mm	

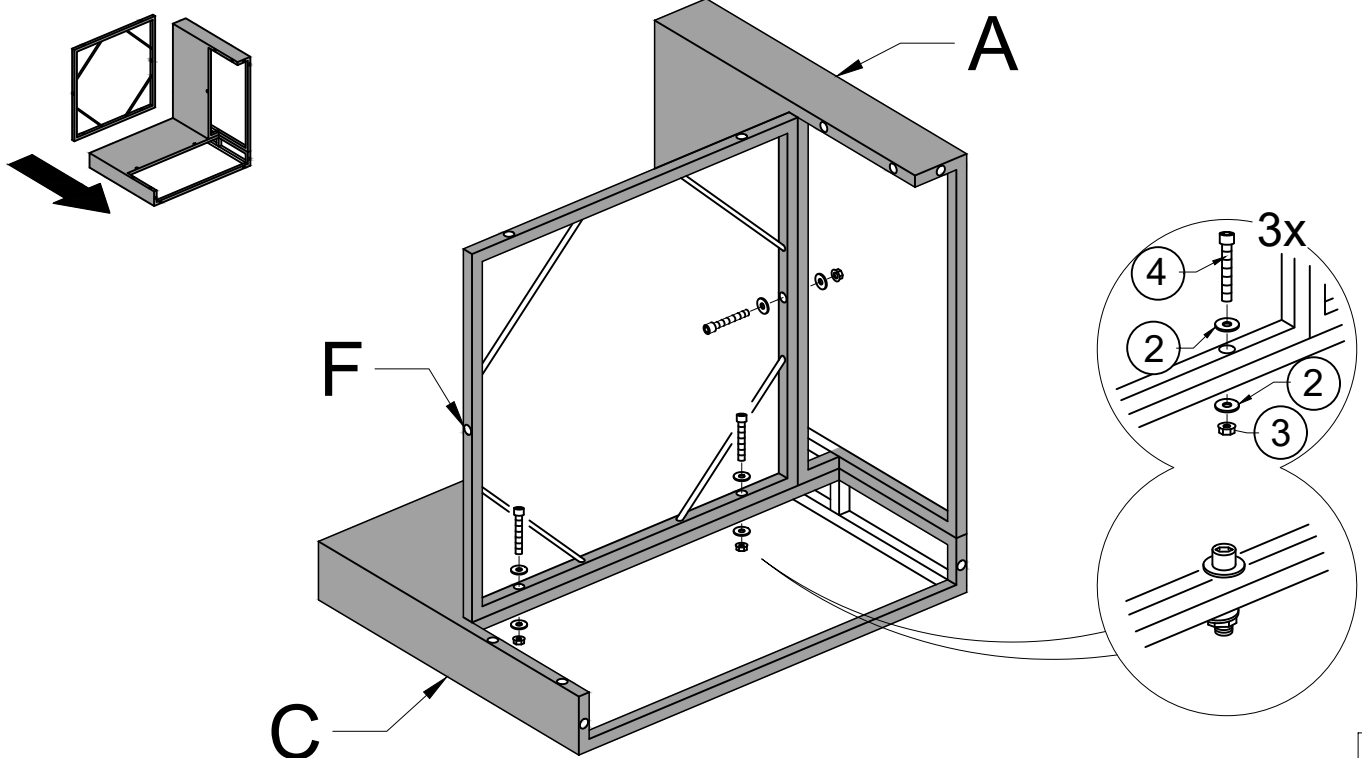


# Step 3

for right sofa

F x 1




②	x6 pcs	③	x3 pcs	④	x3 pcs
					
ø16x6.4x1mm		M6		M6x50mm	

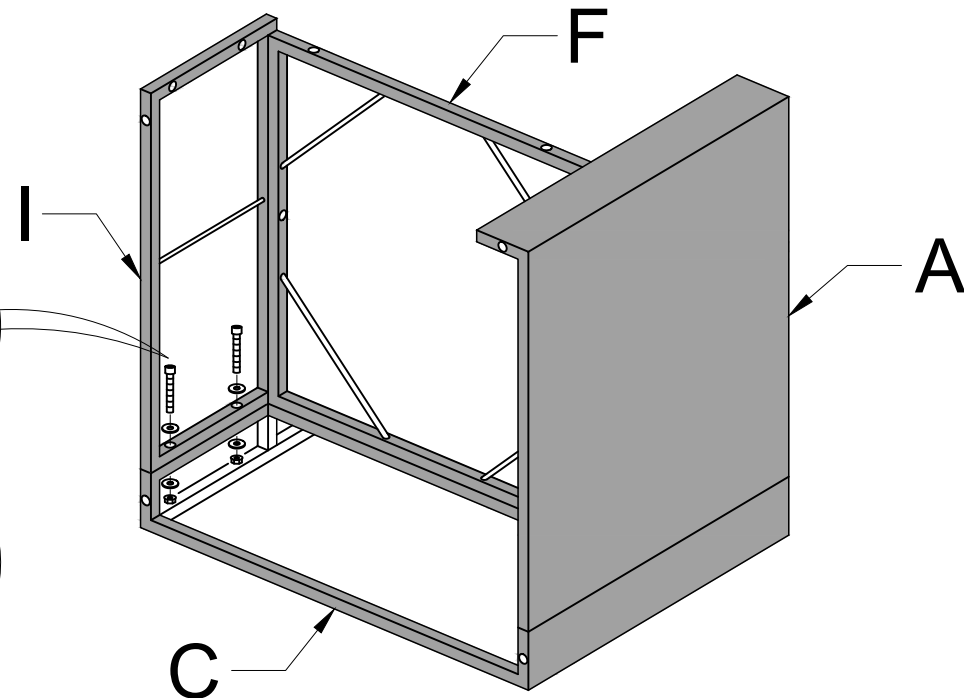
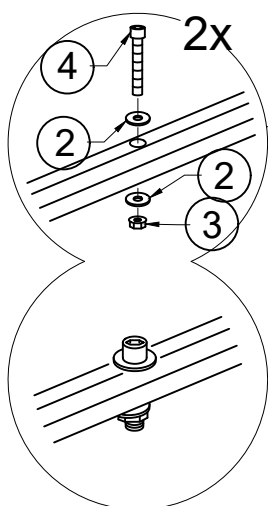
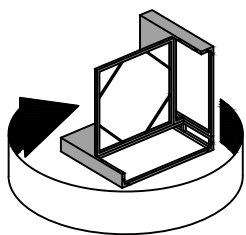


# Step 4

for right sofa

I x 1



②	x4 pcs	③	x2 pcs	④	x2 pcs
					
ø16x6.4x1mm		M6		M6x50mm	

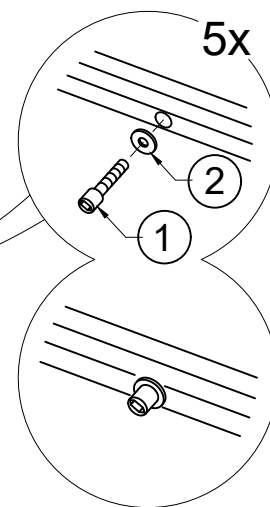
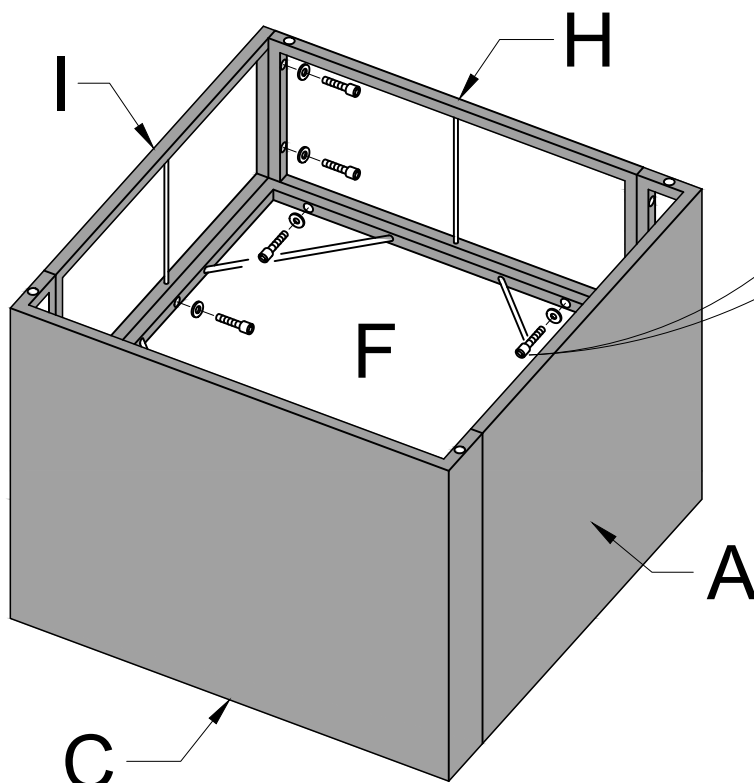
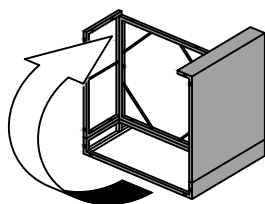


# Step 5-1

for right sofa



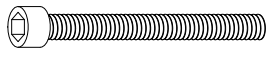
H x 1

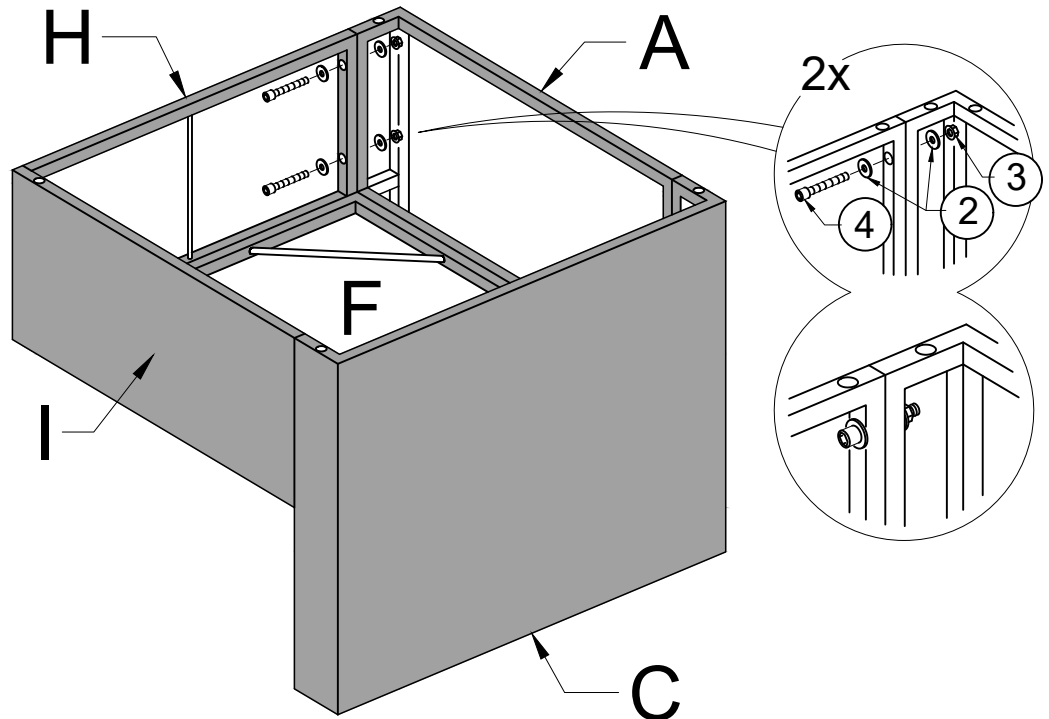
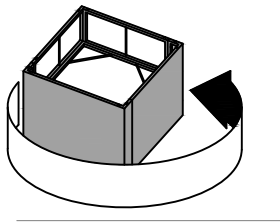
①	x5 pcs	②	x5 pcs
			
M6x35mm		ø16x6.4x1mm	



# Step 5-2

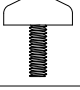
for right sofa

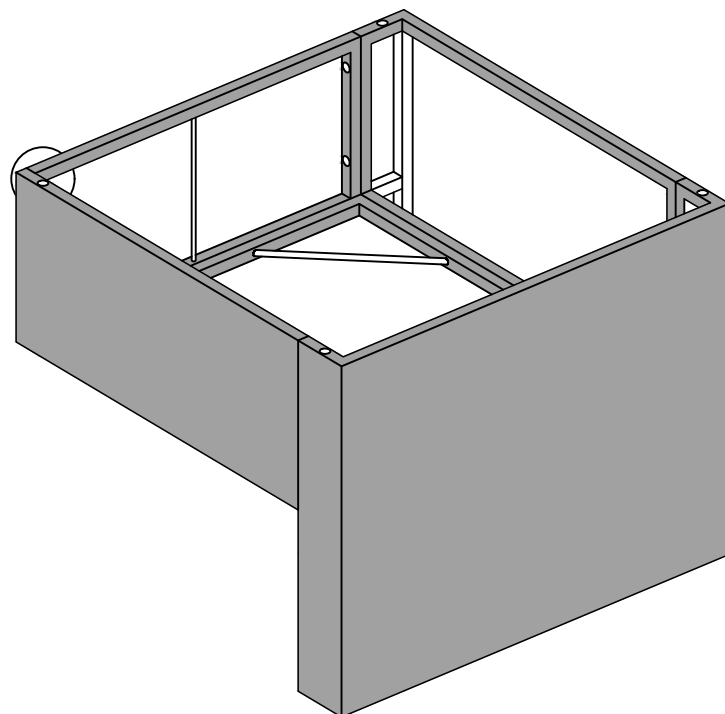
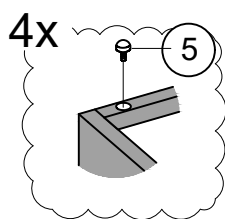
②	x4 pcs	③	x2 pcs	④	x2 pcs
					
ø16x6.4x1mm		M6		M6x50mm	



# Step 6

for right sofa

⑤	x4 pcs
	
adjustable screw	



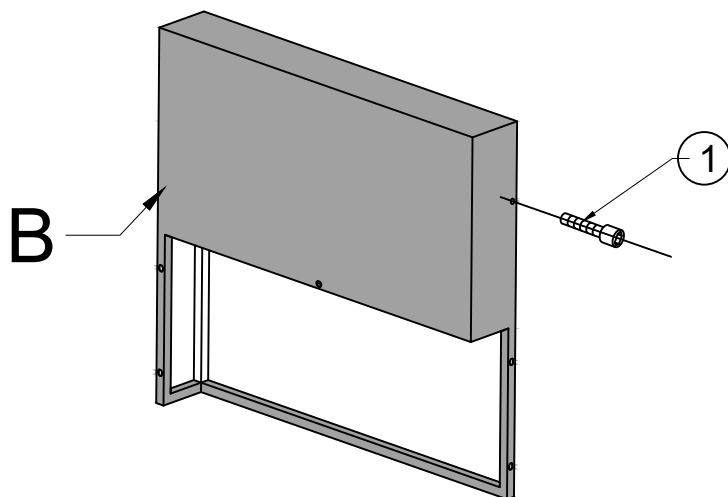
# Step 1

for left sofa  
B x 1

① x1 pcs

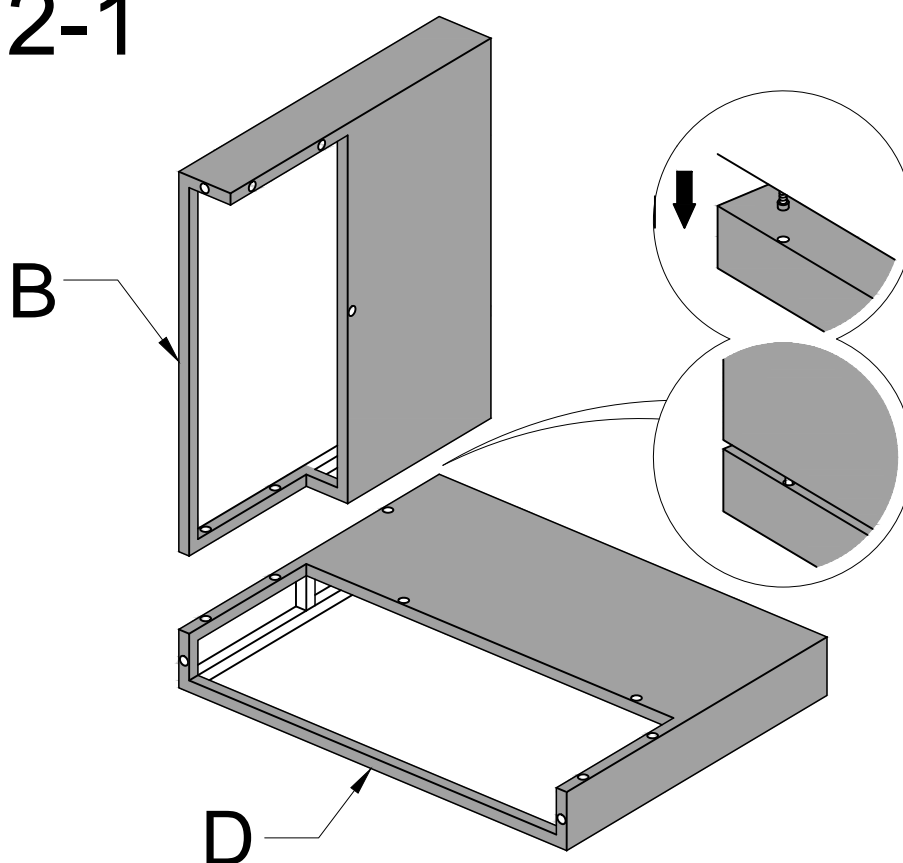


M6x35mm






# Step 2-1

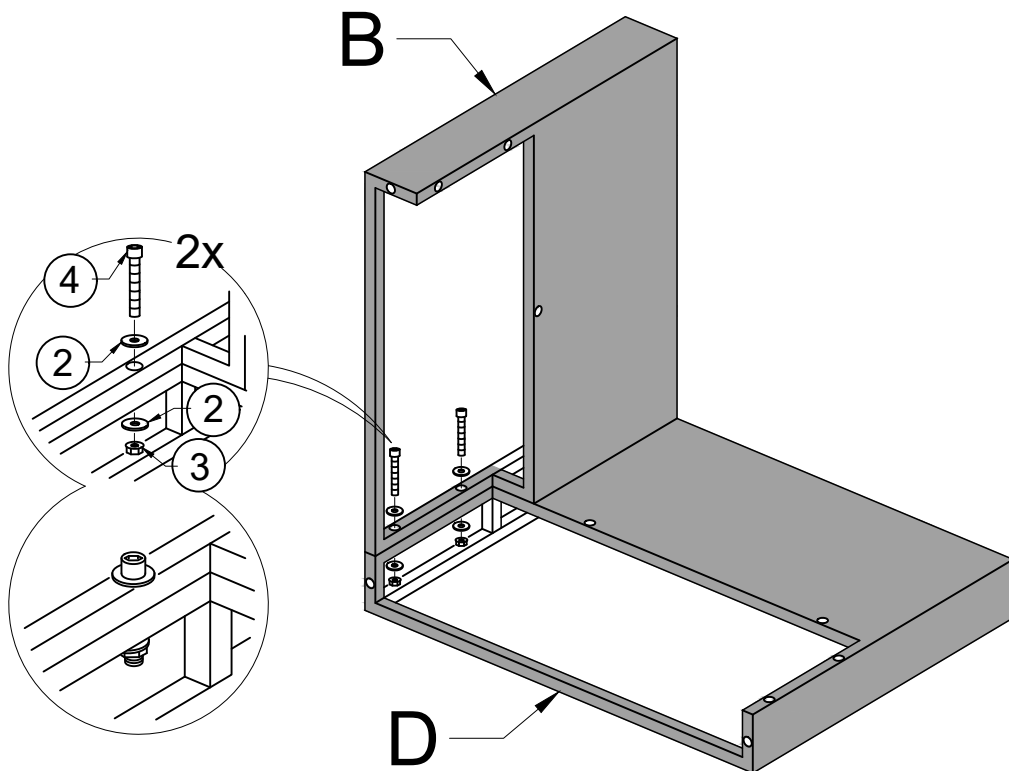
for left sofa  
D x 1



# Step 2-2

for left sofa




②	x4 pcs	③	x2 pcs	④	x2 pcs
					
ø16x6.4x1mm		M6		M6x50mm	

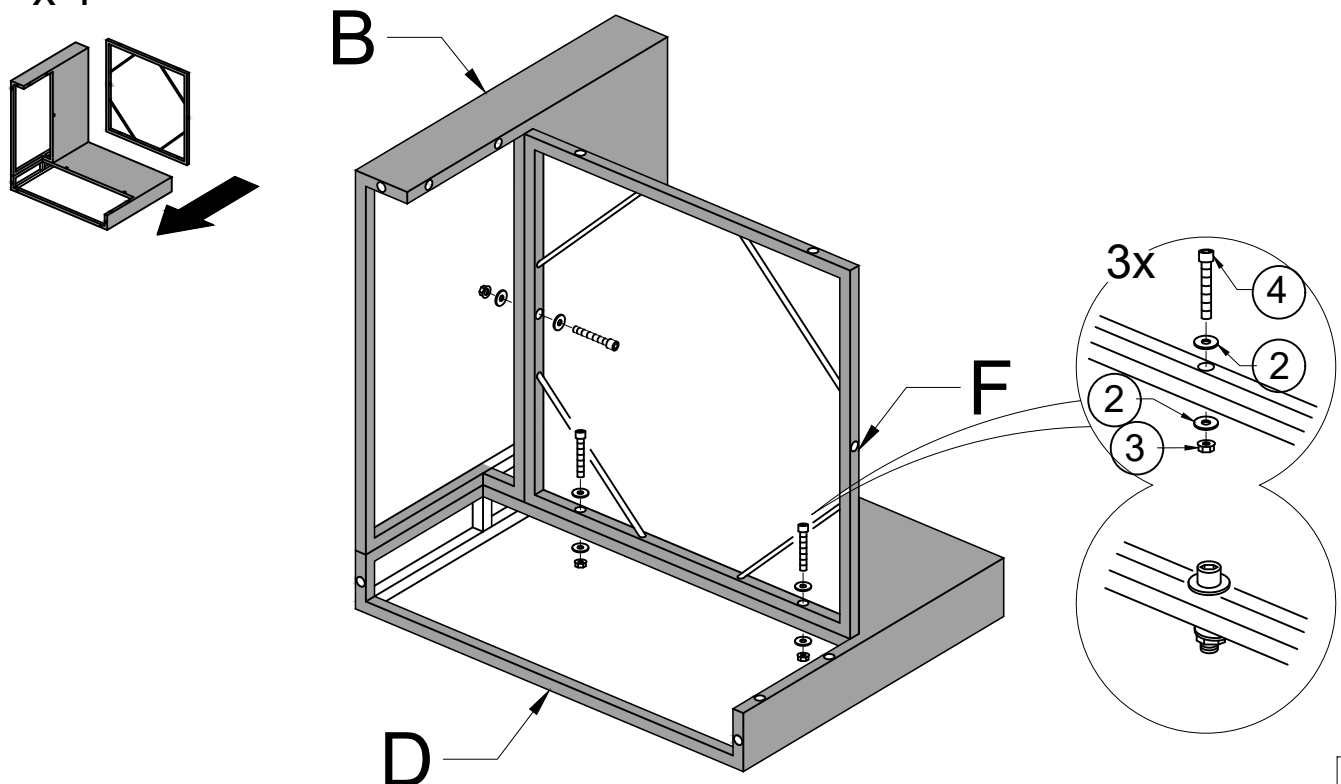


# Step 3

for left sofa

F x 1




②	x6 pcs	③	x3 pcs	④	x3 pcs
					
ø16x6.4x1mm		M6		M6x50mm	

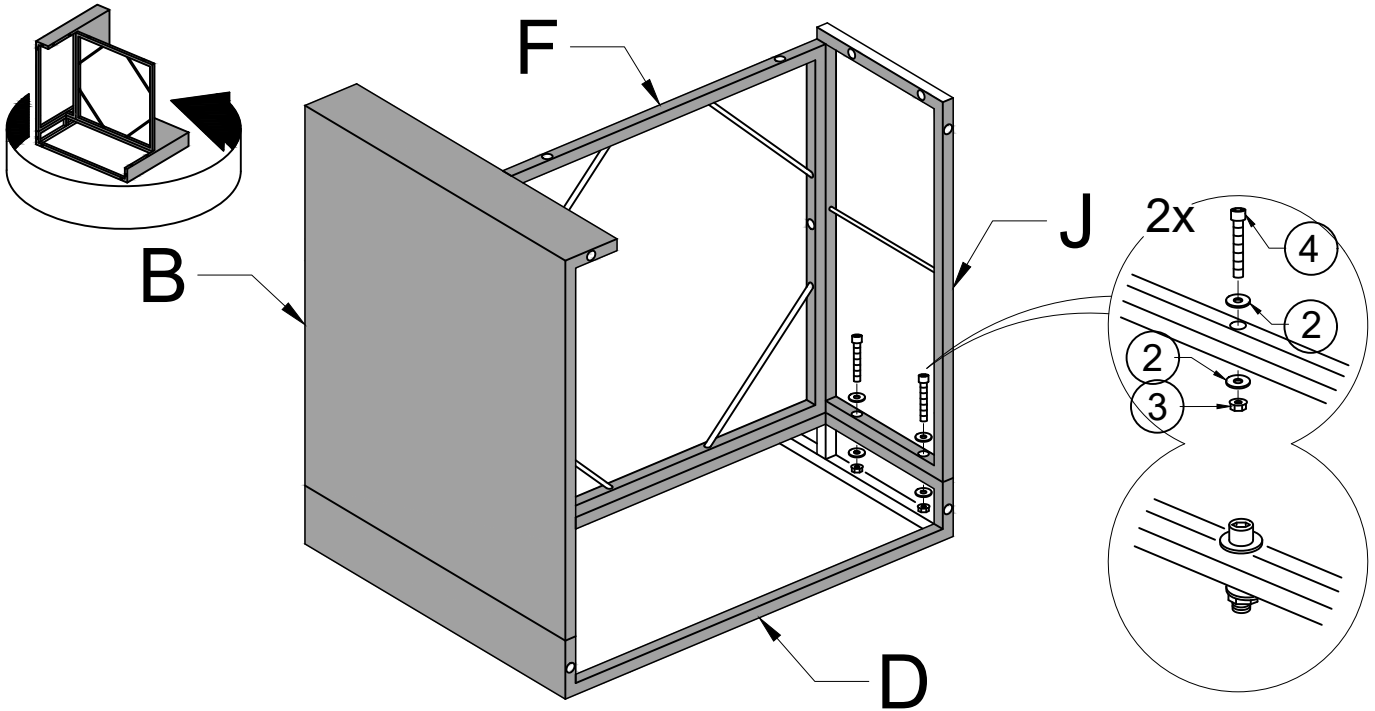


# Step 4

for left sofa

J x 1



②	x4 pcs	③	x2 pcs	④	x2 pcs
					
ø16x6.4x1mm		M6		M6x50mm	

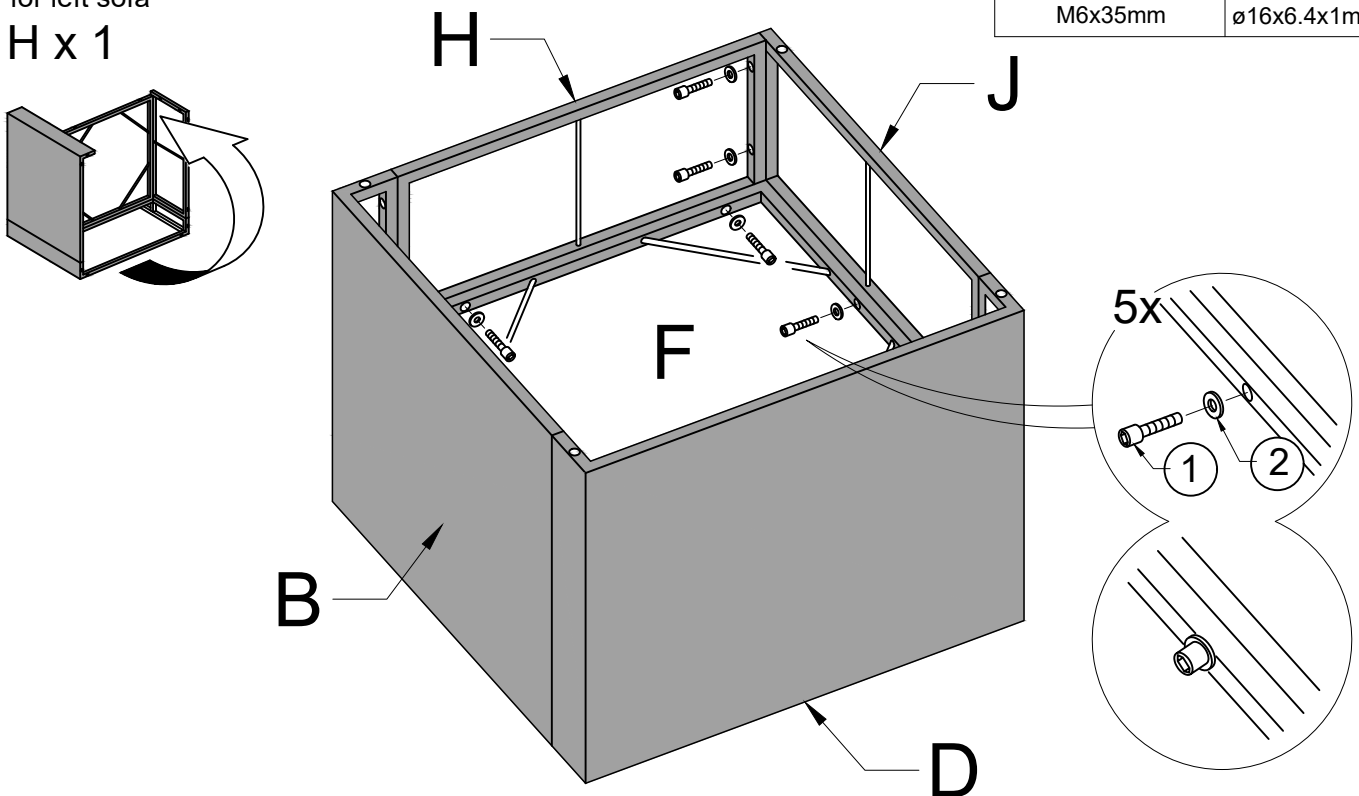


# Step 5-1

for left sofa




H x 1

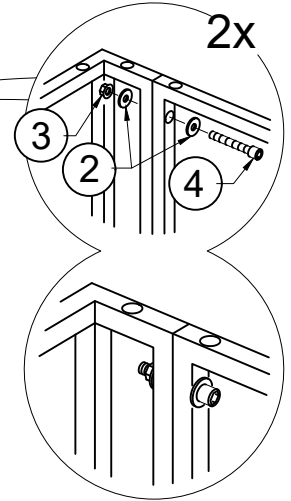
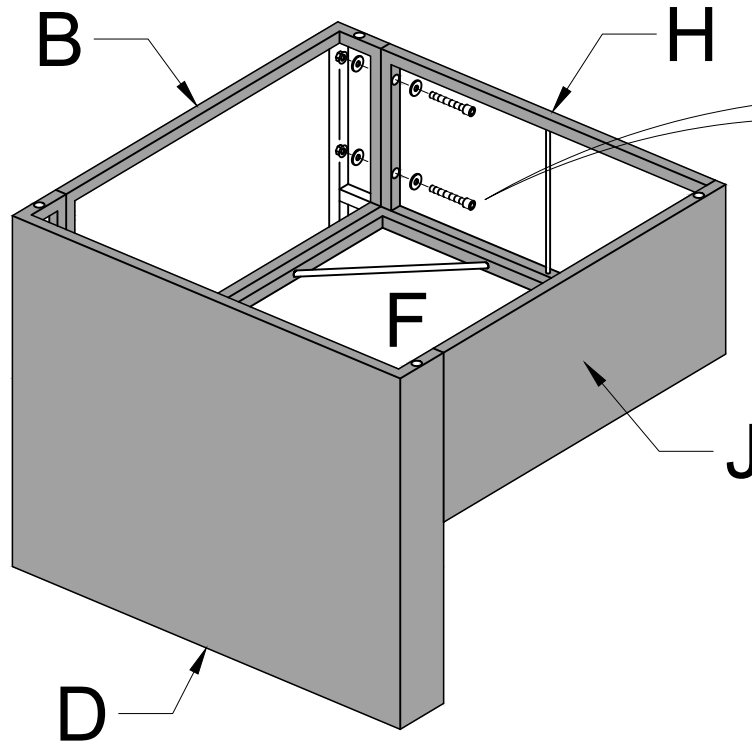
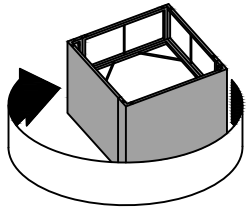
①	x5 pcs	②	x5 pcs
			
M6x35mm		ø16x6.4x1mm	



# Step 5-2

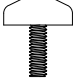
for left sofa

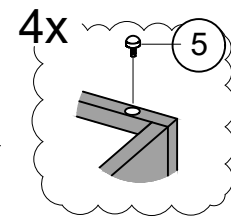
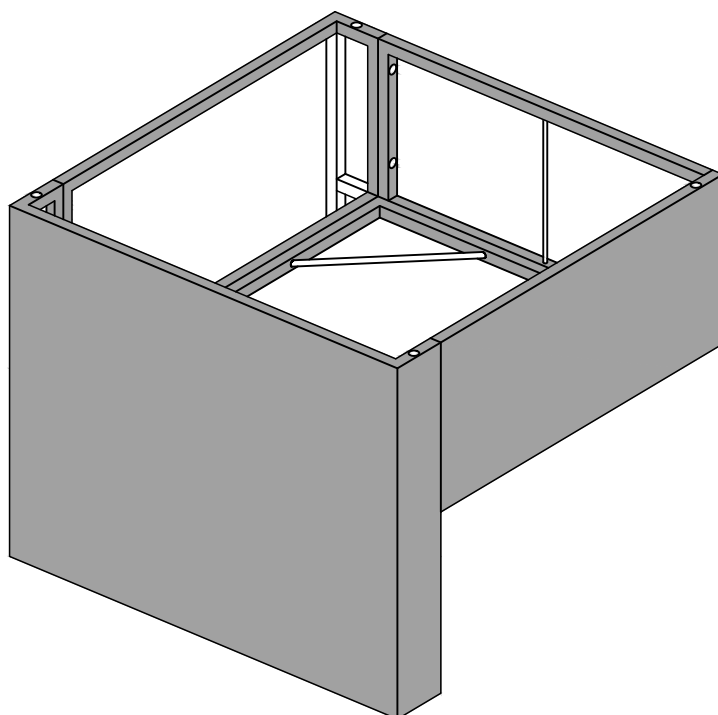
②	x4 pcs	③	x2 pcs	④	x2 pcs
					
ø16x6.4x1mm		M6		M6x50mm	



# Step 6



for left sofa

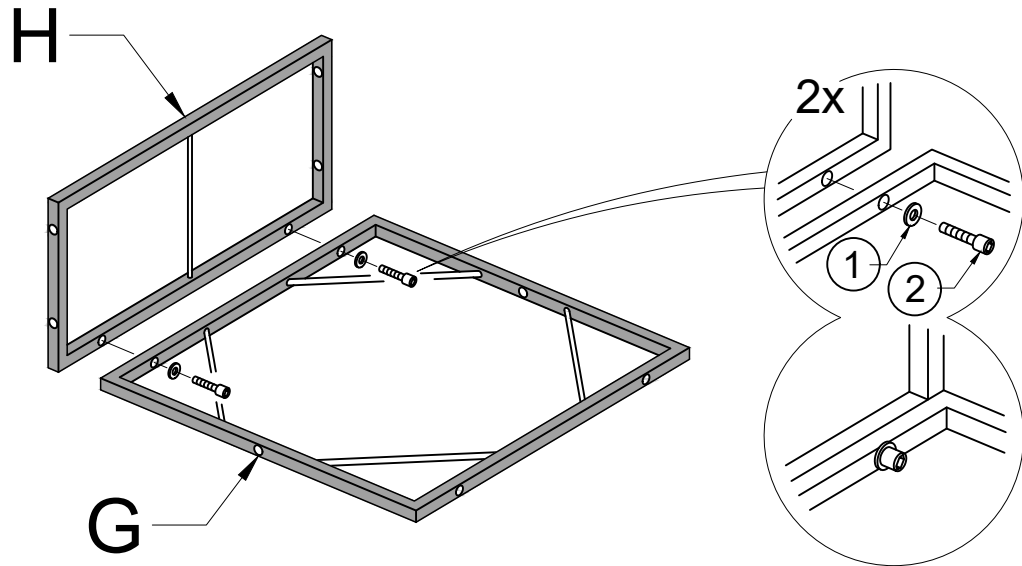
⑤	x4 pcs
	
adjustable screw	



# Step 1-1



for middle sofa  
G x 2, H x 2

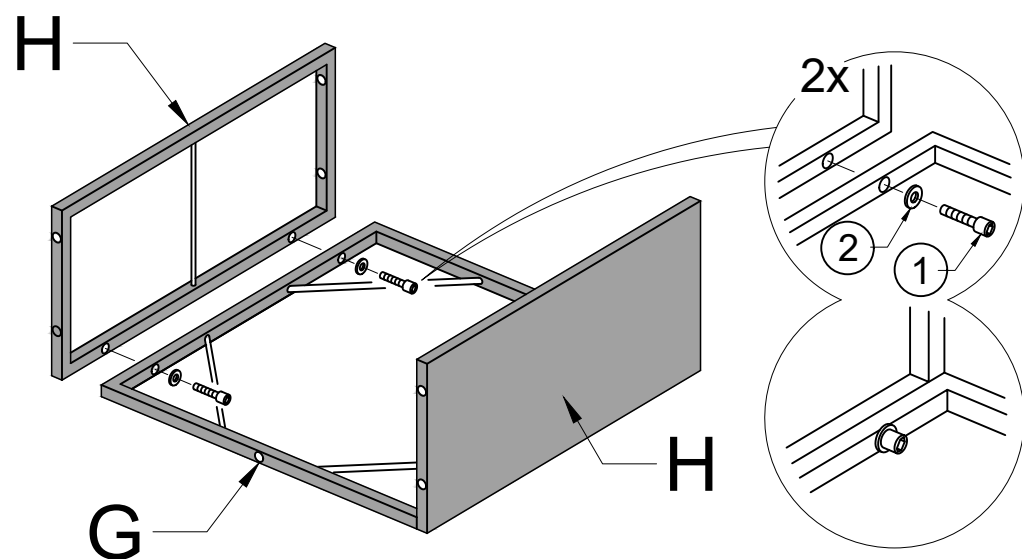
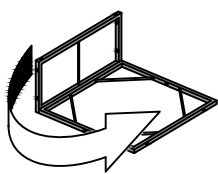
①	x4 pcs	②	x4 pcs
			
M6x35mm		ø16x6.4x1mm	



# Step 1-2

for middle sofa  
H x 2

①	x4 pcs	②	x4 pcs
			
M6x35mm		ø16x6.4x1mm	





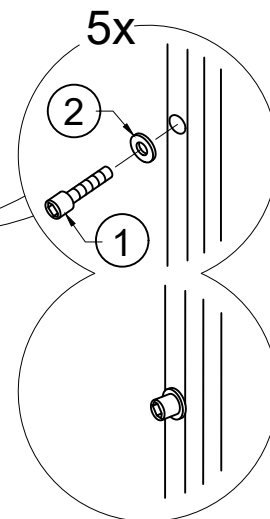
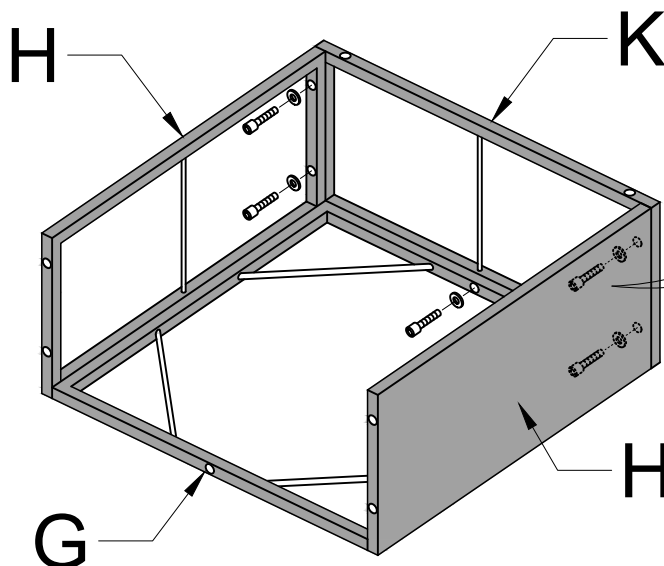
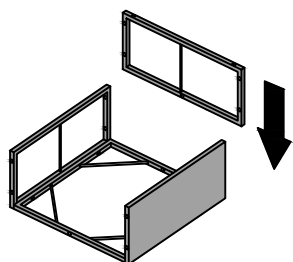


# Step 2

for middle sofa

K x 2




①	x10 pcs	②	x10 pcs
			
M6x35mm		ø16x6.4x1mm	

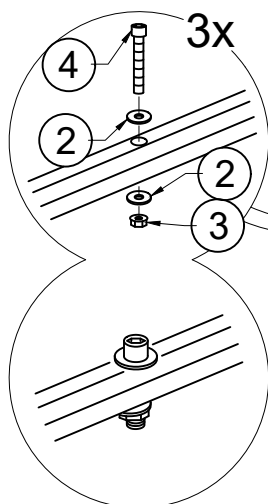
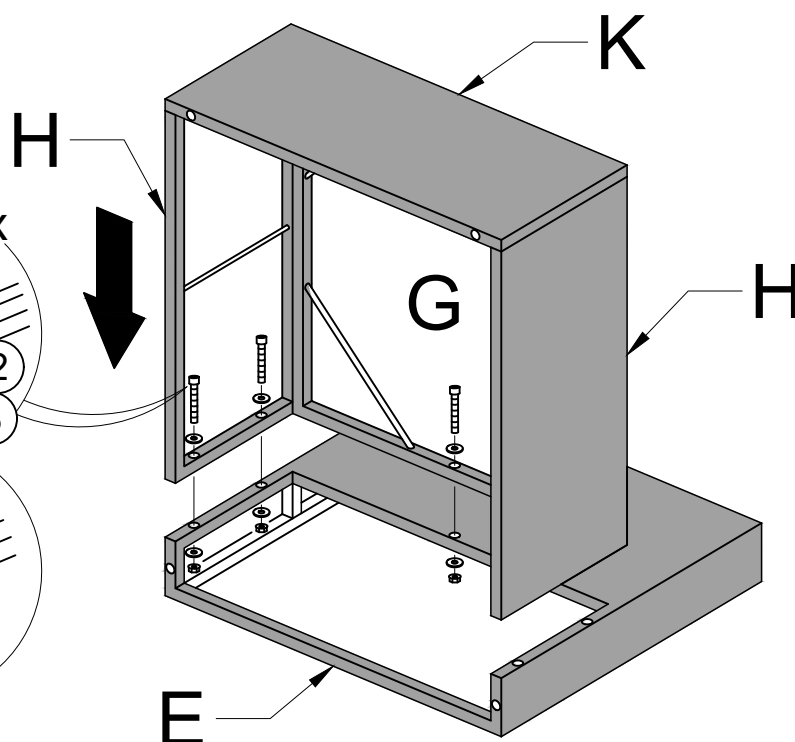
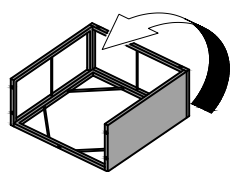


# Step 3-1

for middle sofa




E x 2

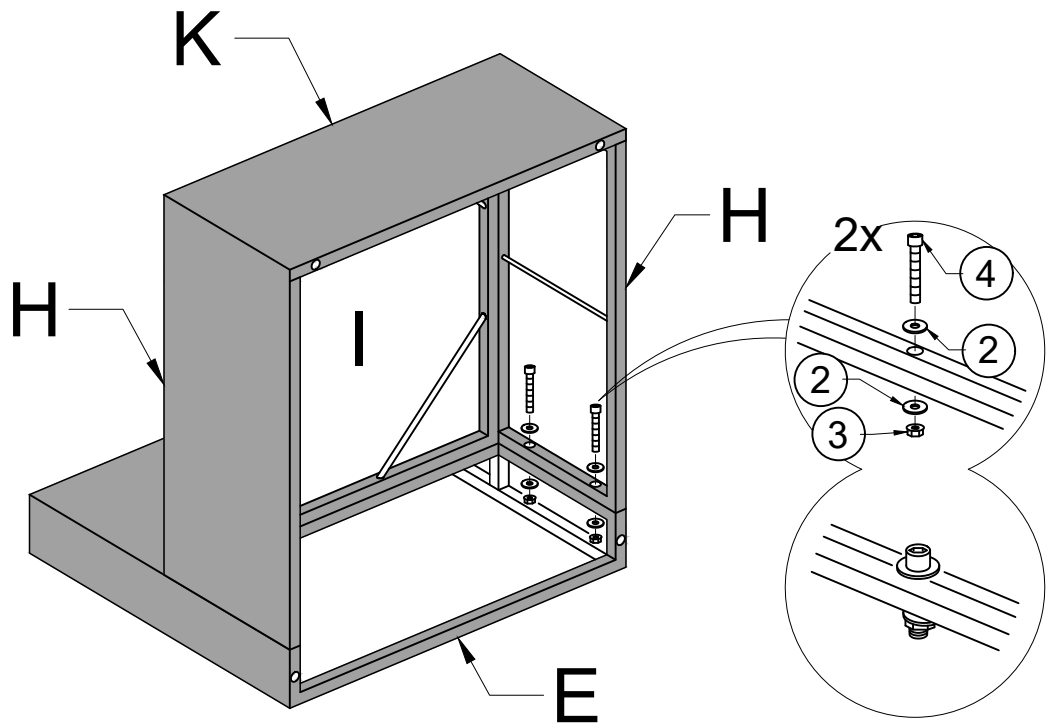
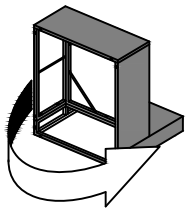
②	x12 pcs	③	x6 pcs	④	x6 pcs
					
ø16x6.4x1mm		M6		M6x50mm	



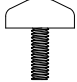
# Step 3-2

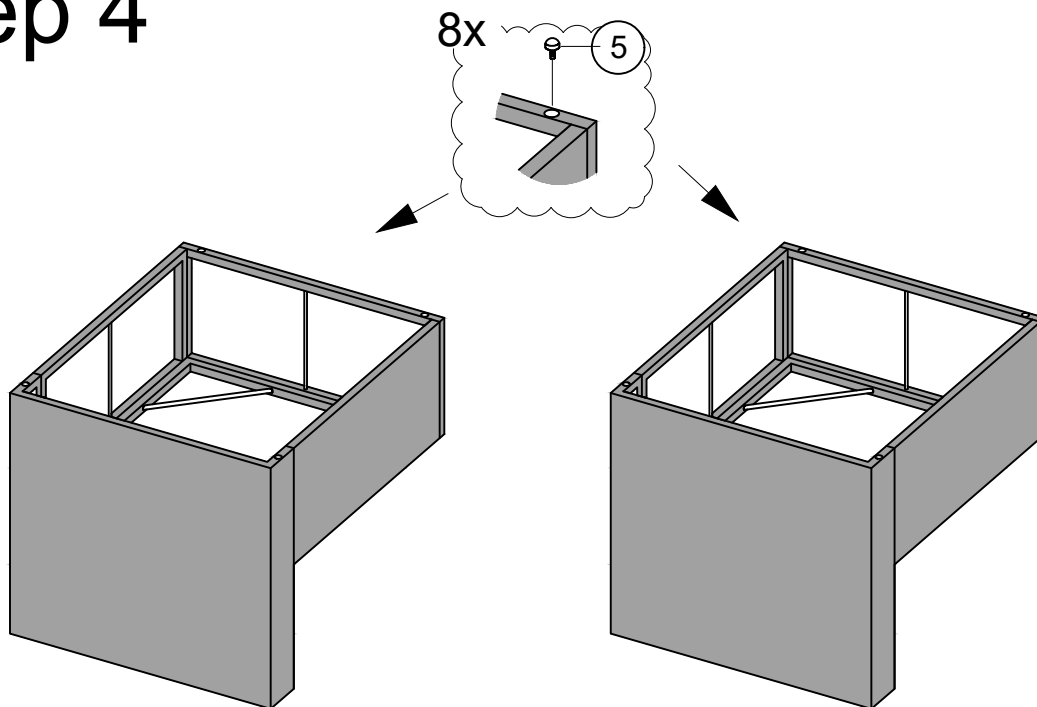
for middle sofa

②	x8 pcs	③	x4 pcs	④	x4 pcs
					
ø16x6.4x1mm		M6		M6x50mm	





# Step 4

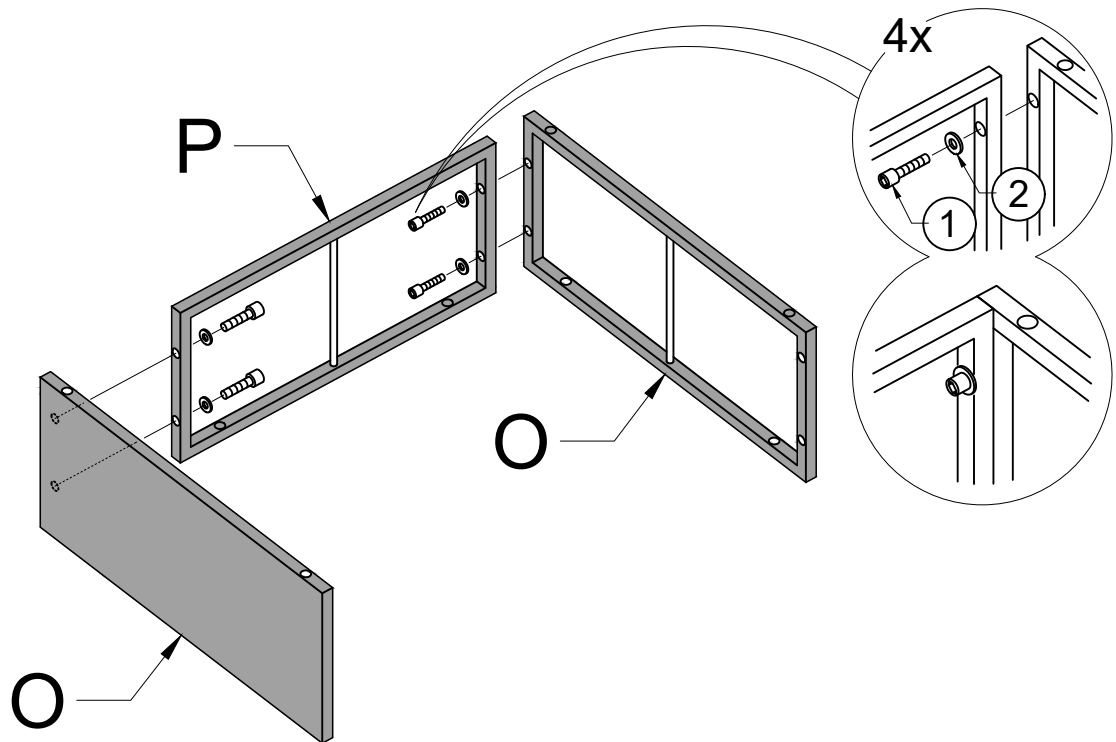
⑤	x8 pcs
	
adjustable screw	



# Step 1



for table  
O x 2, P x 1

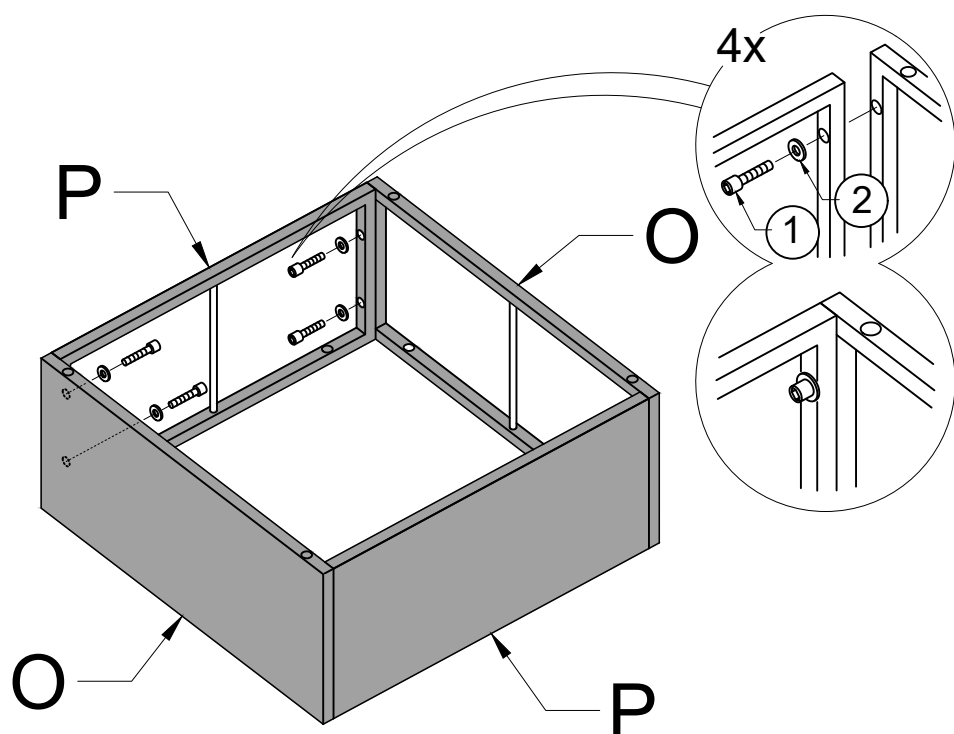
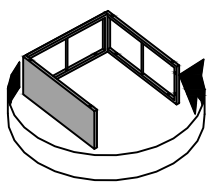
①	x4 pcs	②	x4 pcs
			
M6x35mm		ø16x6.4x1mm	



# Step 2


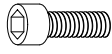
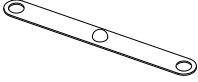
for table  
P x 1

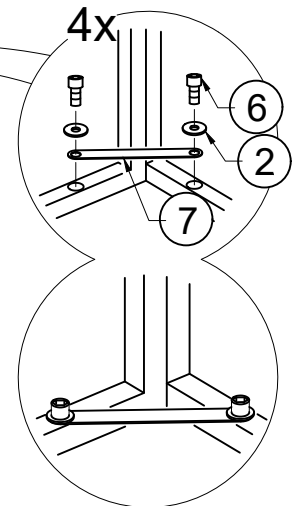
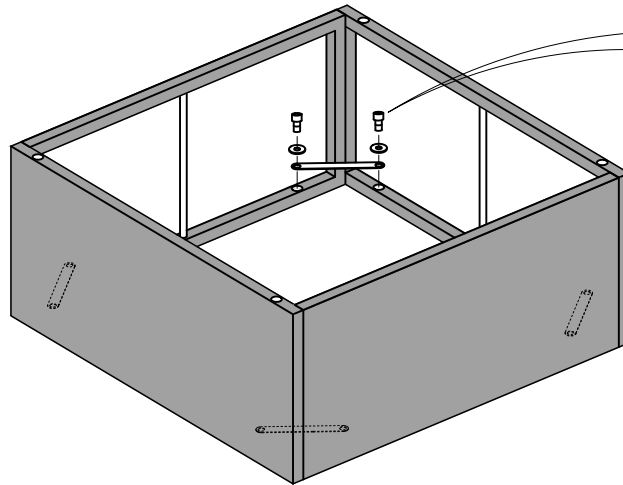
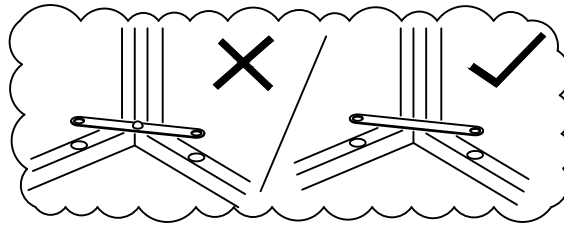
①	x4 pcs	②	x4 pcs
			
M6x35mm		ø16x6.4x1mm	



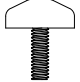
# Step 3

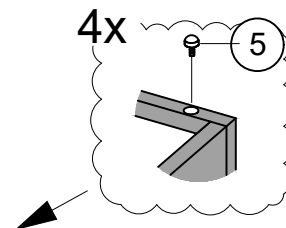
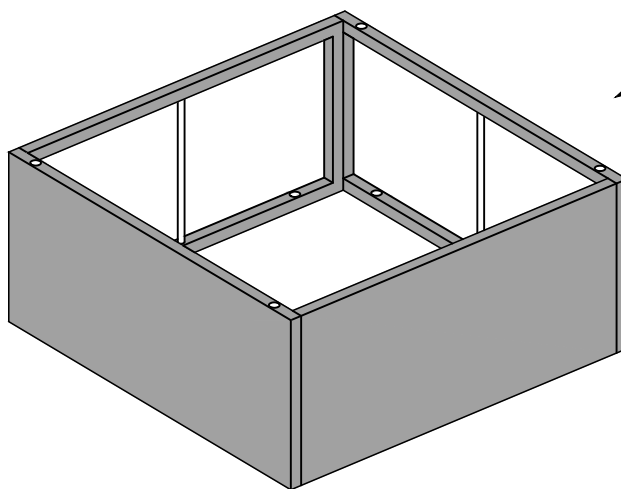
for table

②	x8 pcs	⑥	x8 pcs	⑦	x4 pcs
					
ø16x6.4x1mm		M6x15mm		brace bar	



# Step 4

⑤	x4 pcs
	
adjustable screw	



# Step 5

for table

