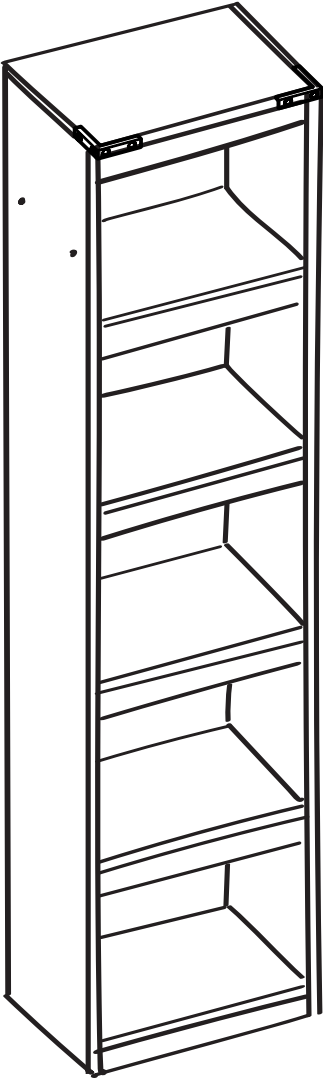


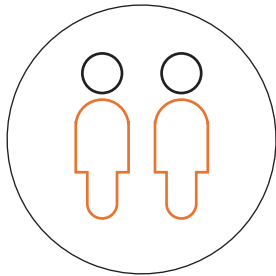
Assembly instructions for:



## HEADS UP

30  
Minutes

TIME



PEOPLE NEEDED

Pro Tip: Choose wisely.  
Your sanity depends on it.



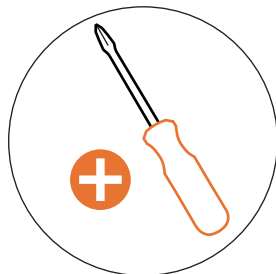
EFFORT SCALE

(you've got this)

## BUST OUT

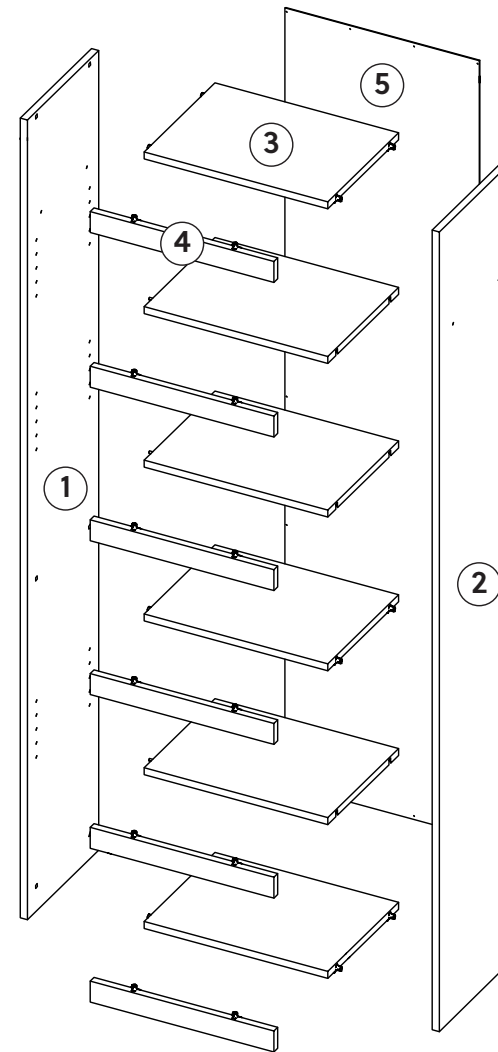


REQUIRED TOOL



REQUIRED TOOL

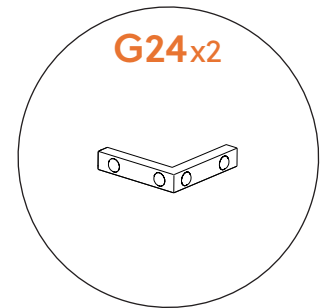
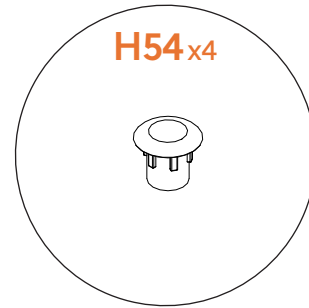
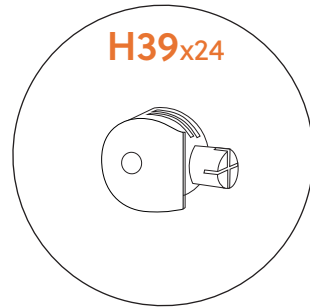
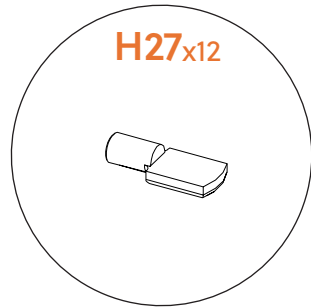
- ① LEFT SIDE (1)
- ② RIGHT SIDE (1)
- ③ SHELF (6)
- ④ FRONT RAIL (6)
- ⑤ UNIT BACK (1)



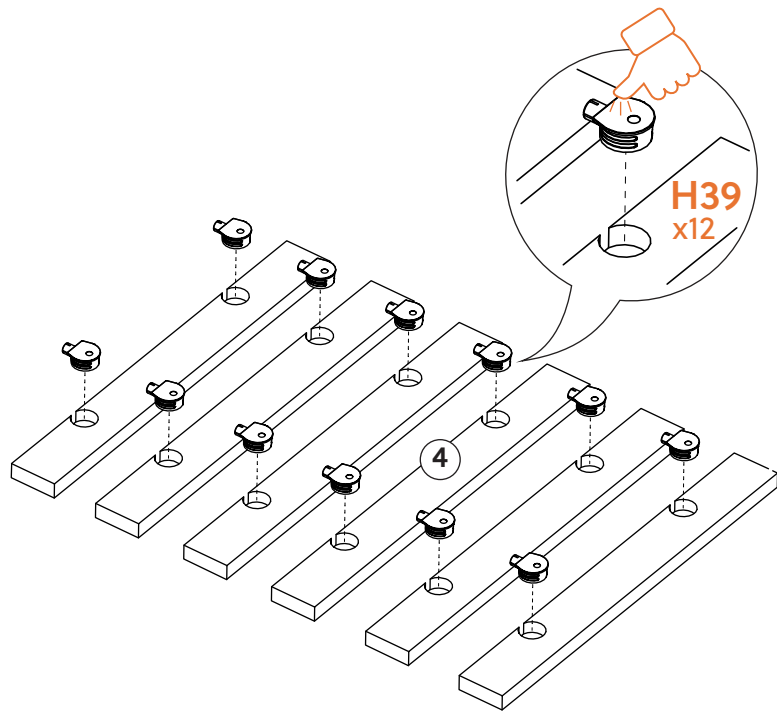
# COMPONENTS

# HARDWARE

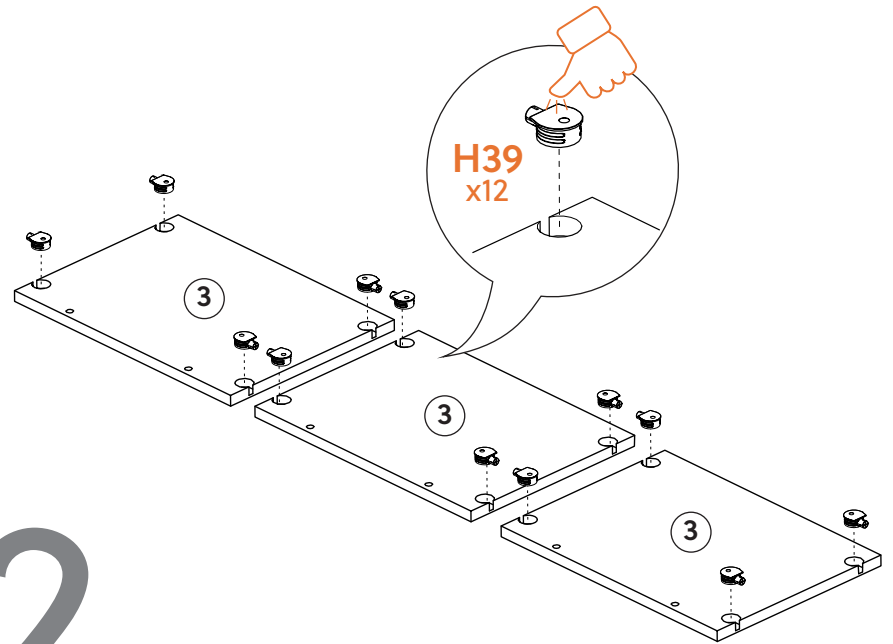
---



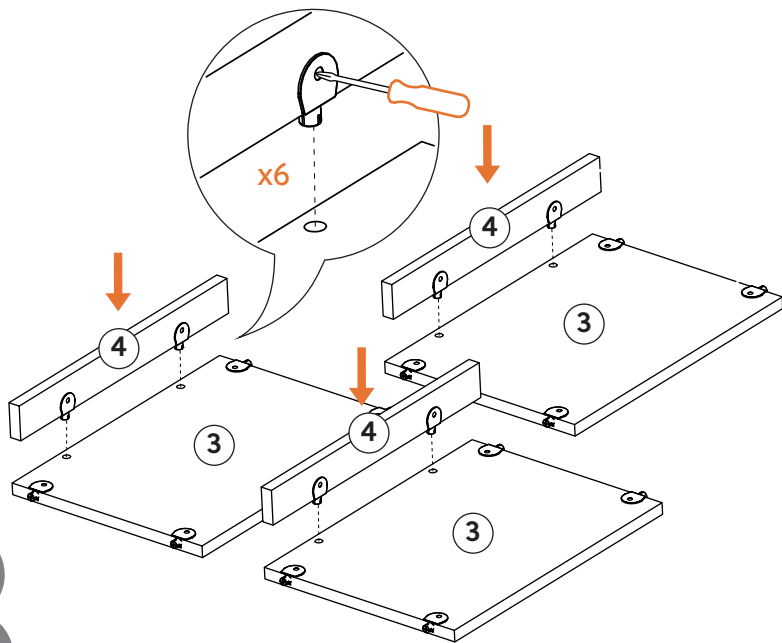
1



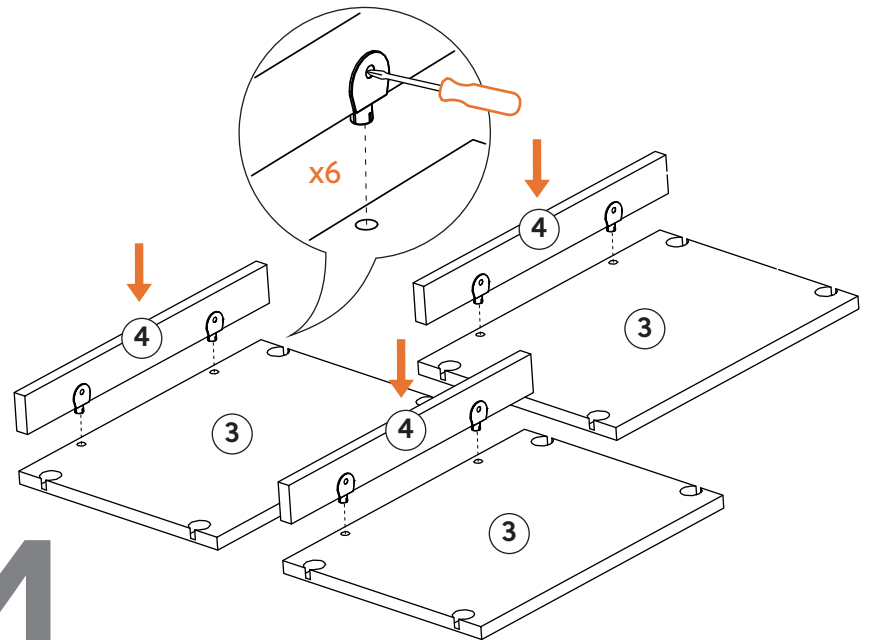
2



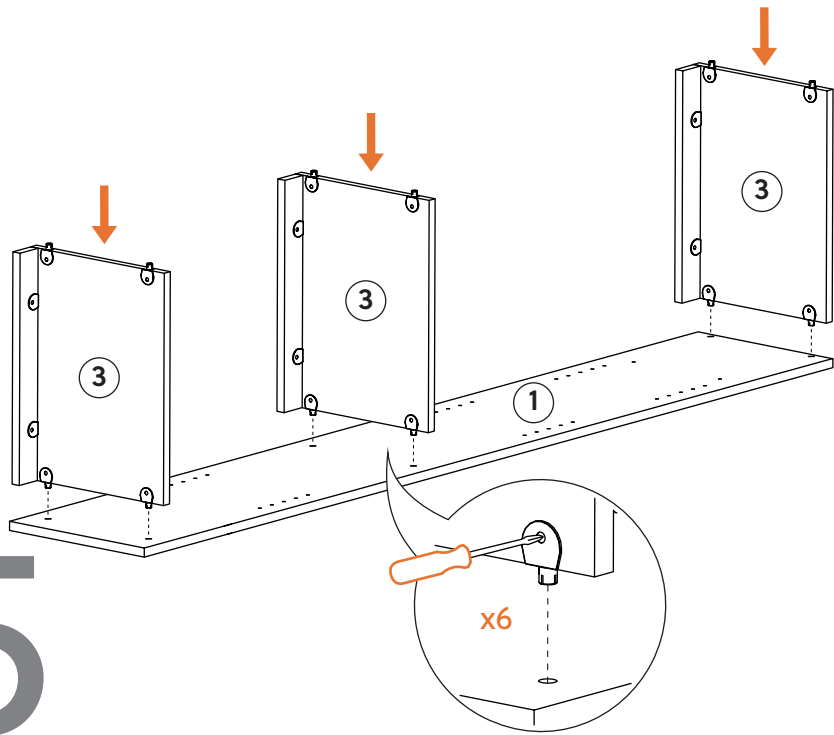
3



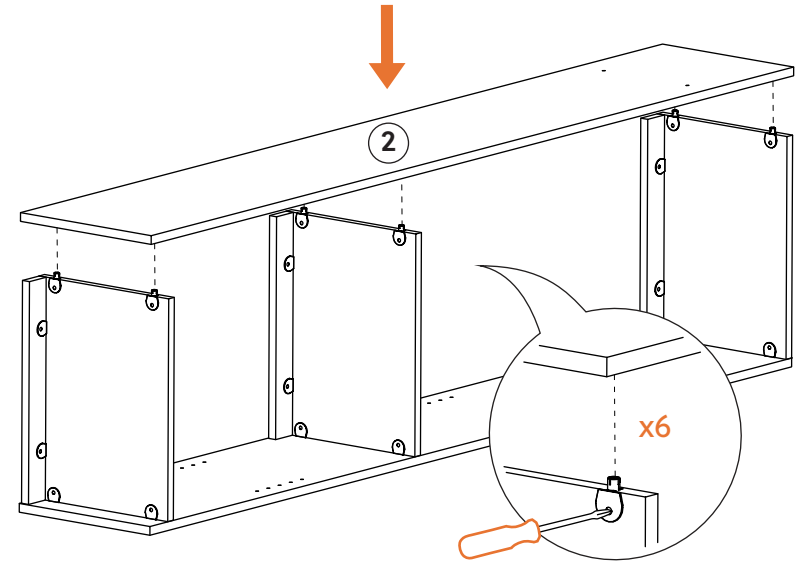
4



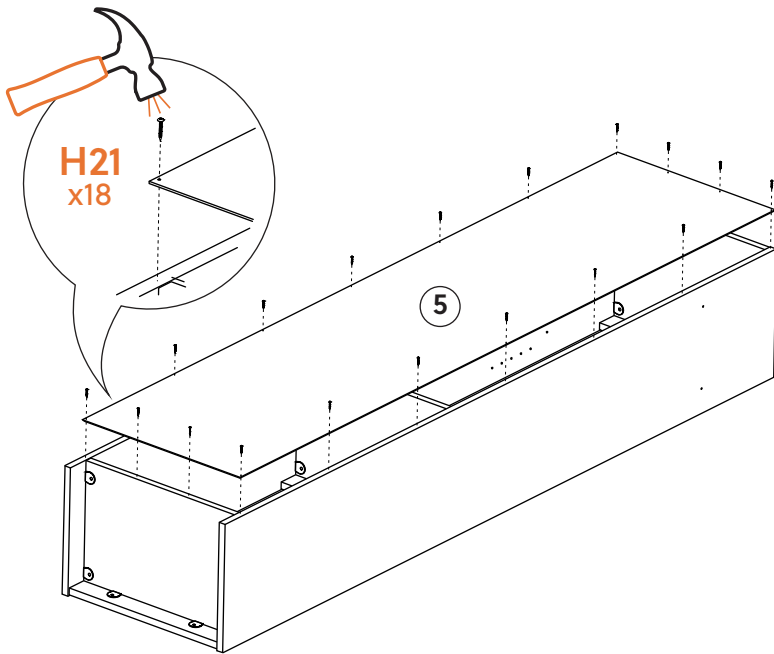
5



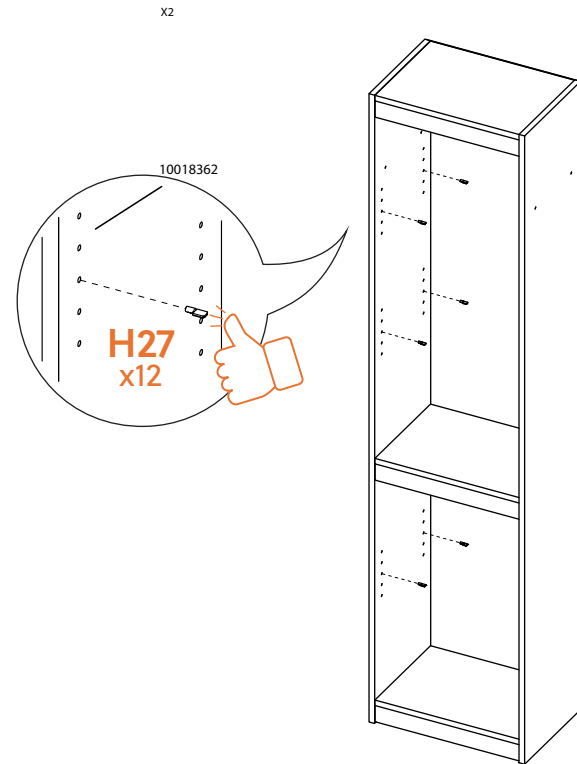
6



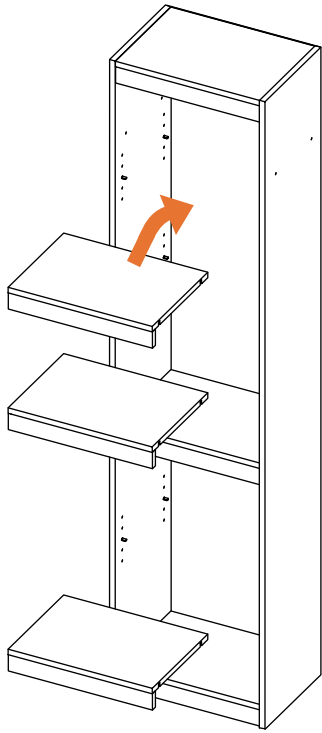
7



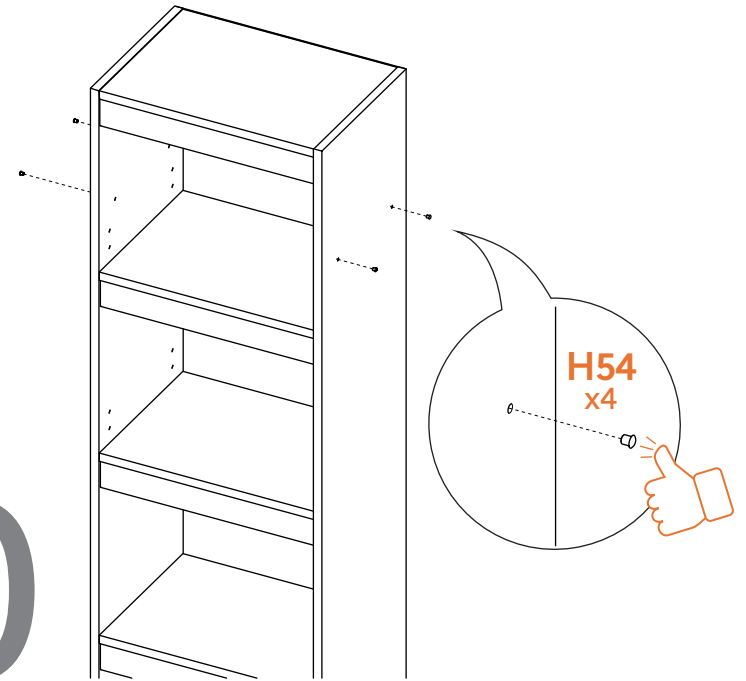
8



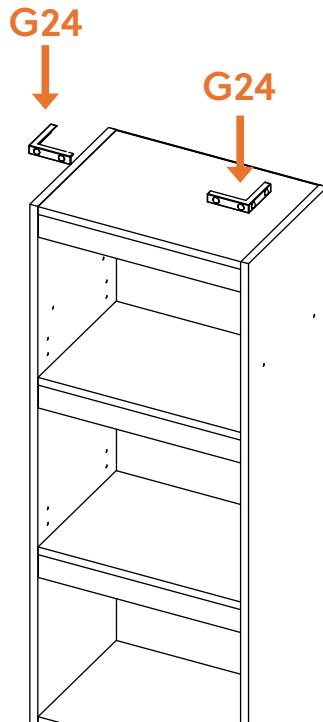
9



10



We saved you some time by using double sided adhesive instead of more screws! You're welcome.



11

12



