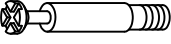

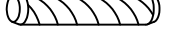
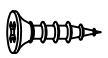




A	x42
	
M6*35mm	

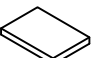
B	x42
	
Ø15X9.5mm	


C	x40
	
Ø6*30mm	

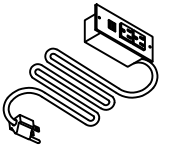
D	x18
	
Ø3*14mm	


E	x16
	
15*15*14mm	

F	x8
	
Ø3.5*48mm	

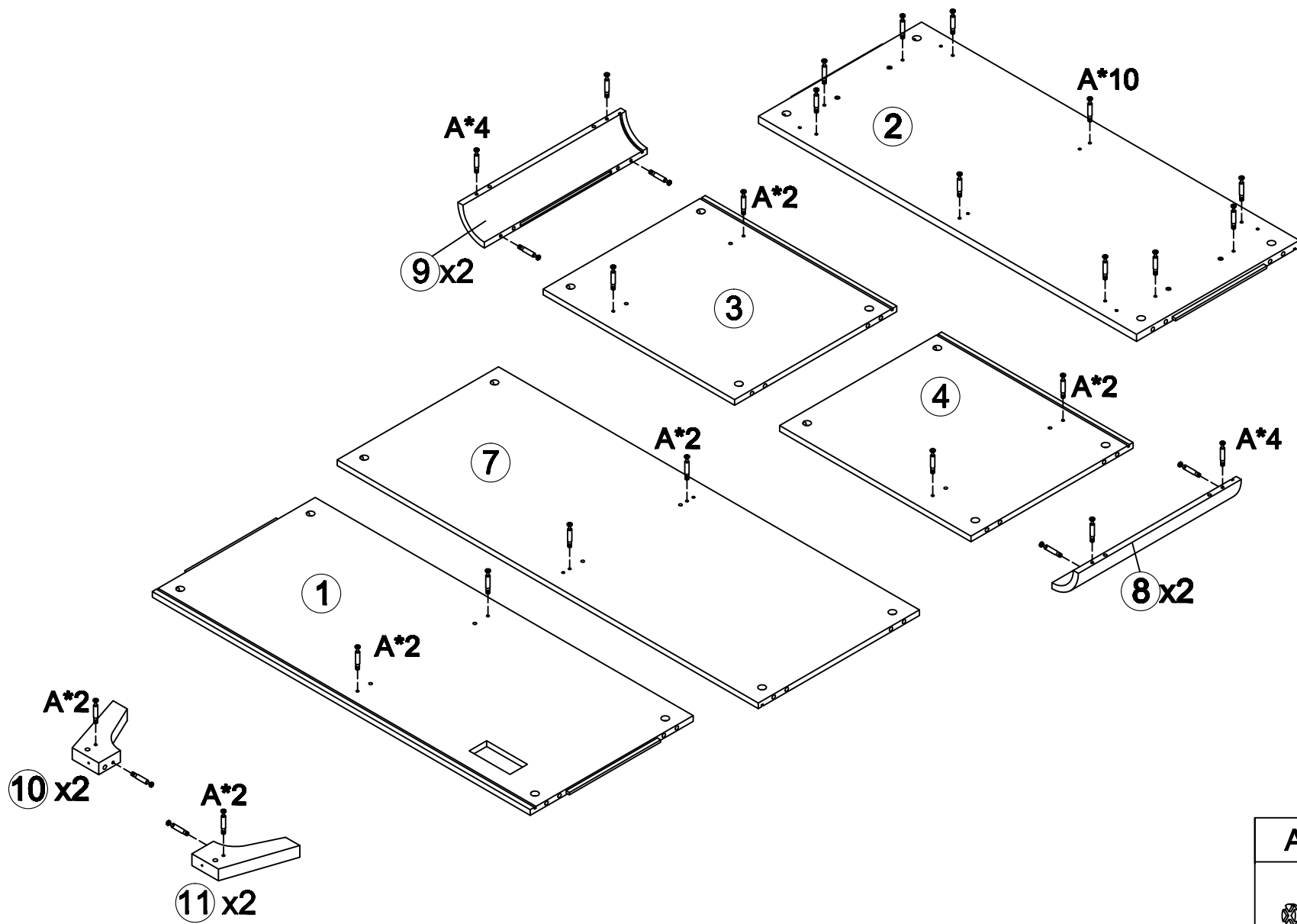
G	x4
	
Ø30*20mm	

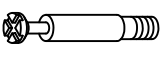
H	x24
	
Ø20mm	

I	x1
	

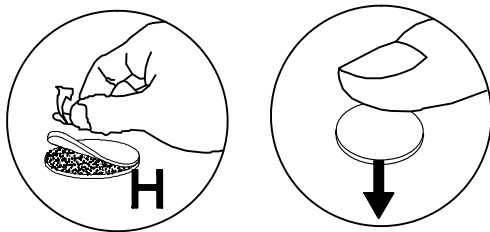
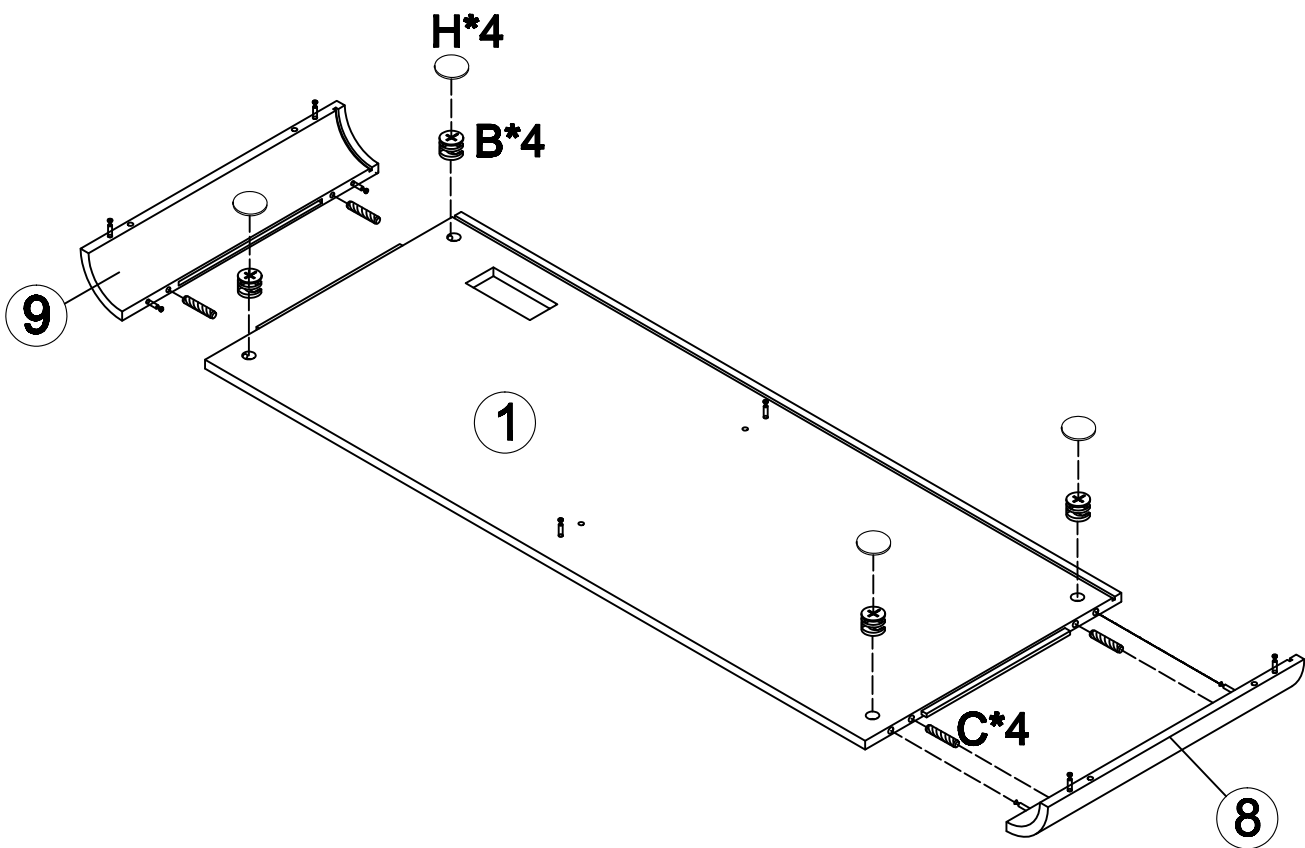
J	x1
	




1



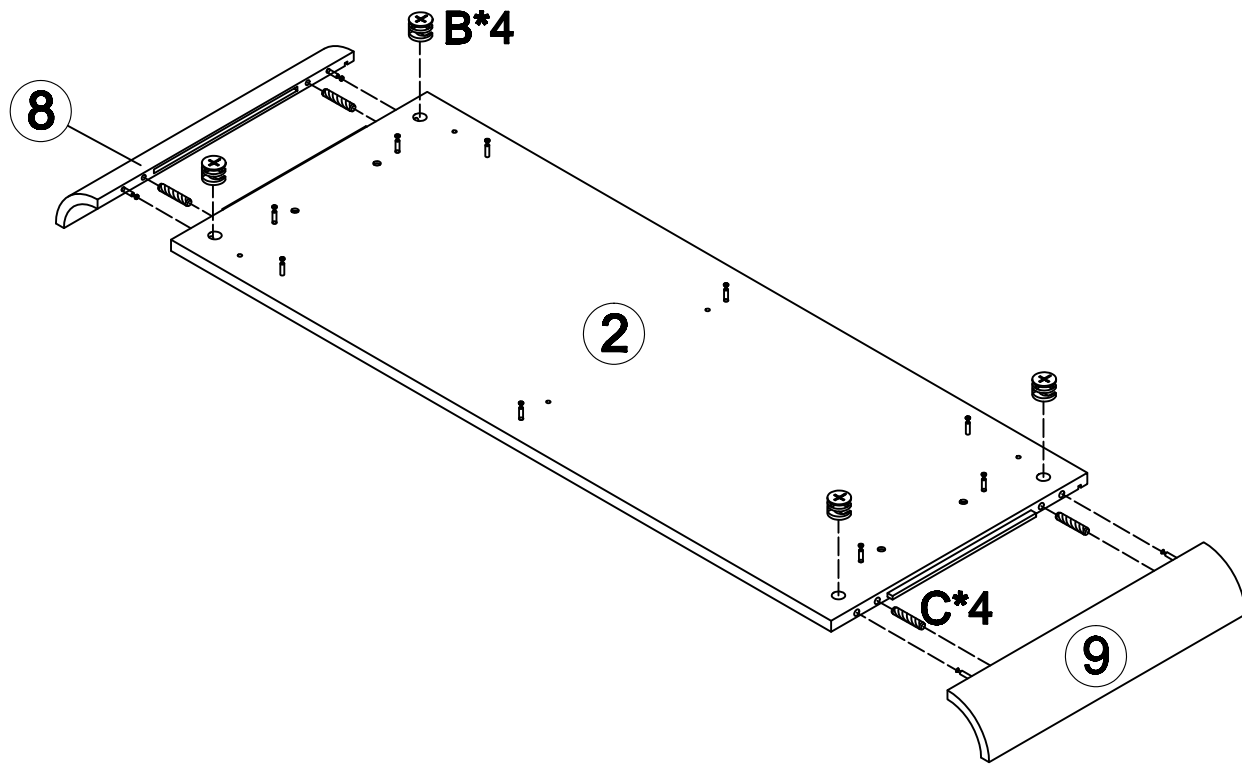
A	x42
	
M6*35mm	


2

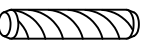


H	x4	B	x4	C	x4
					
Ø20mm		Ø15X9.5mm		Ø6*30mm	

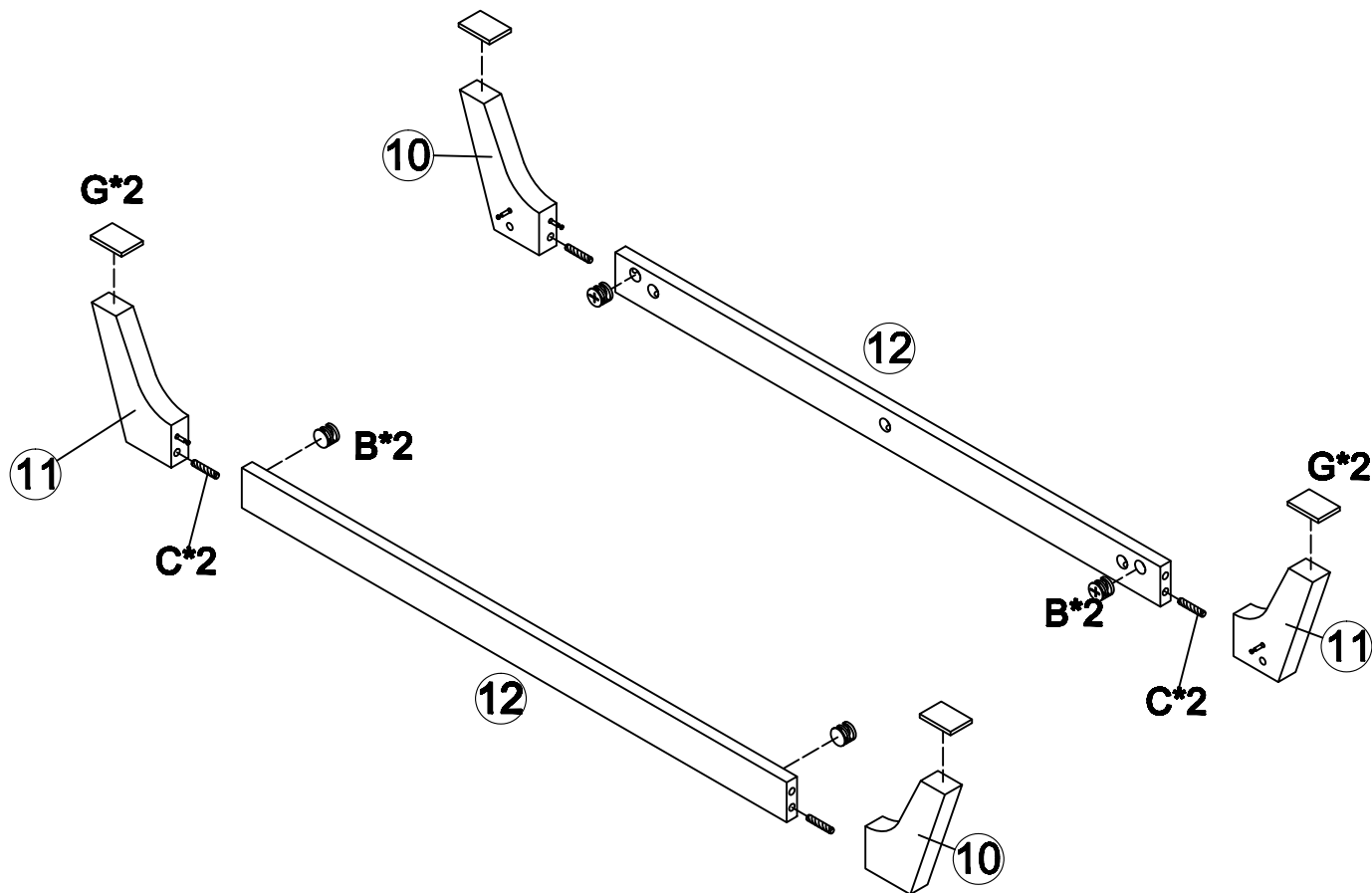
3





B	x4
	
Ø15X9.5mm	

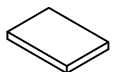
C	x4
	
Ø6*30mm	

4

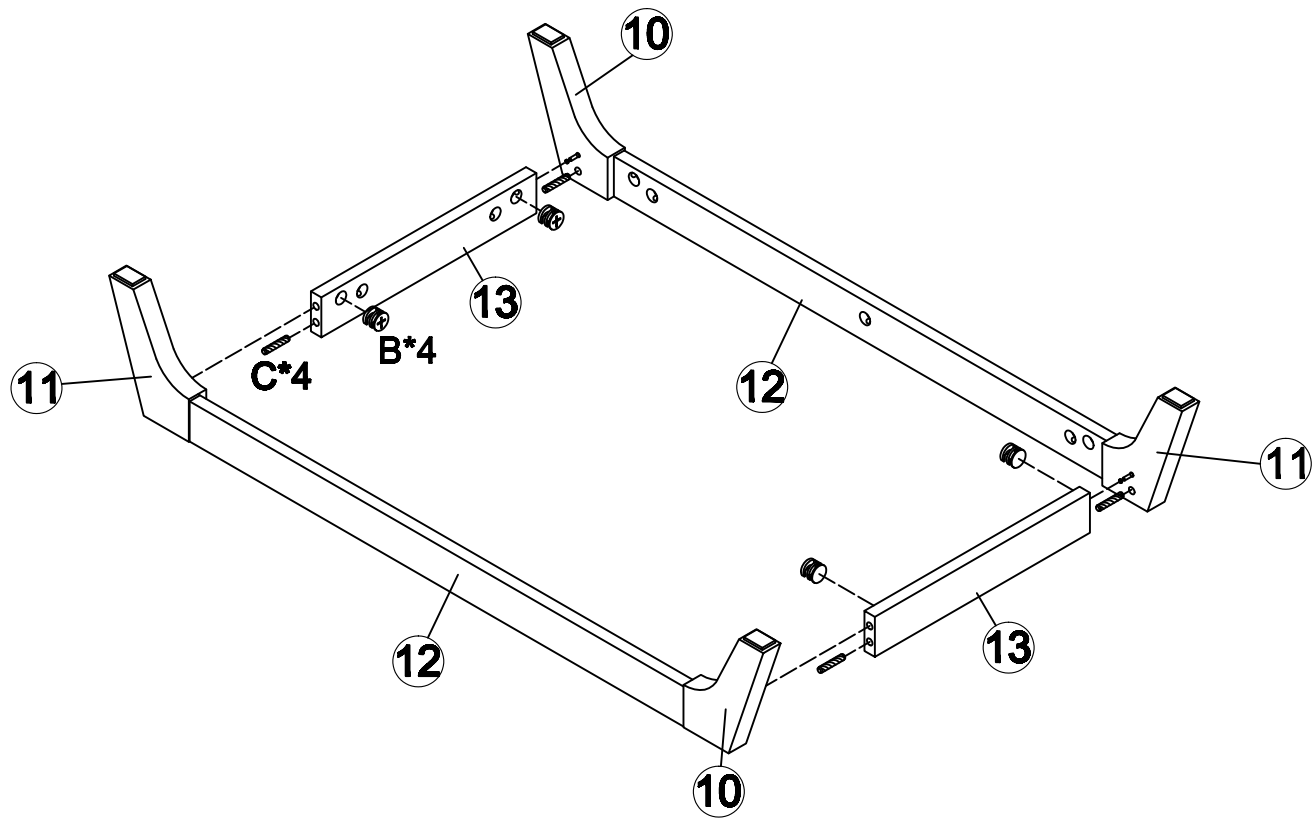



B	x4
	
Ø15X9.5mm	


C	x4
	
Ø6*30mm	

G	x4
	
30*20mm	

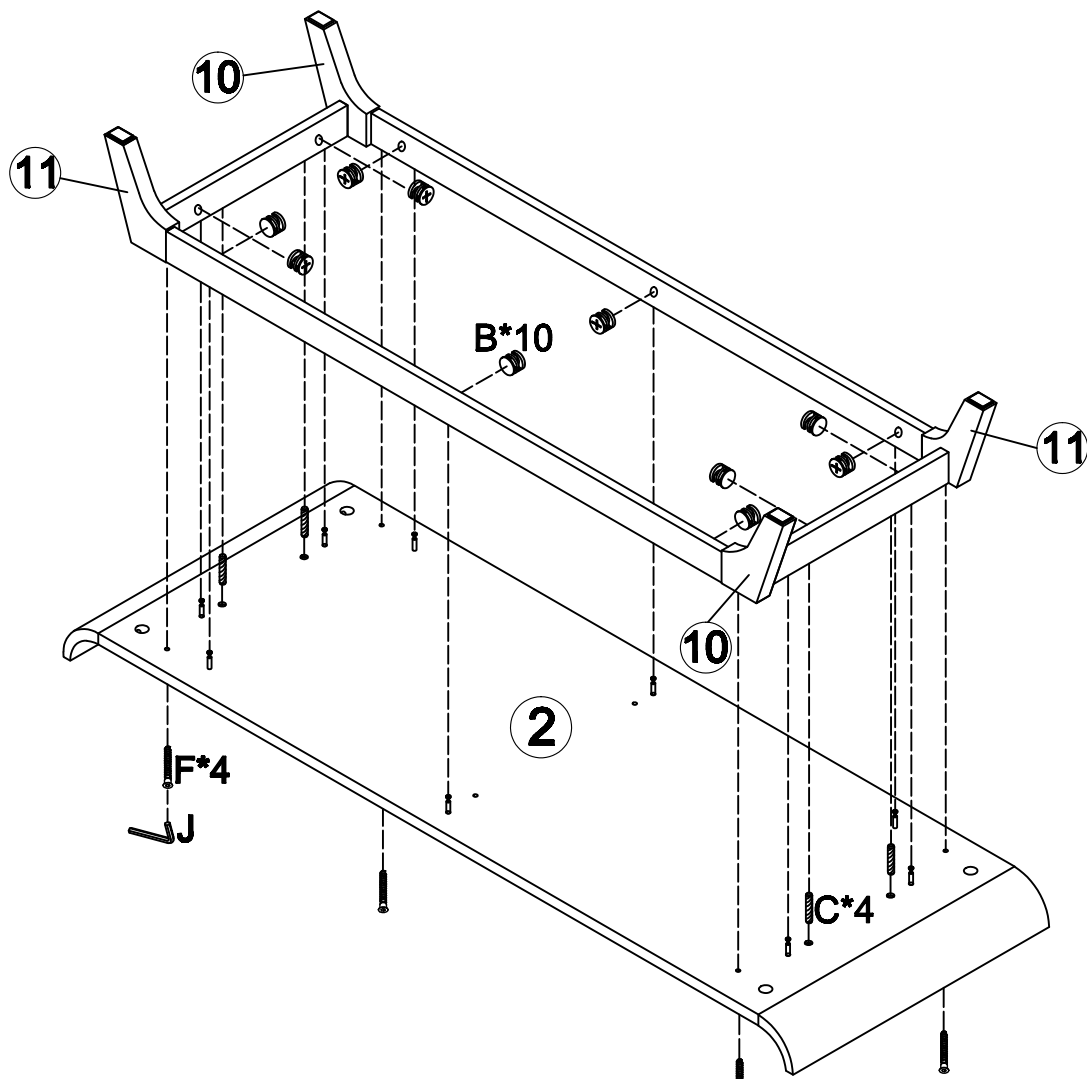
5





B	x4
	
Ø15X11mm	


E	x4
	
Ø8*30mm	

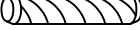
6



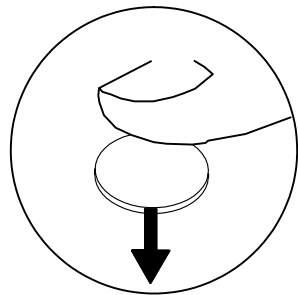
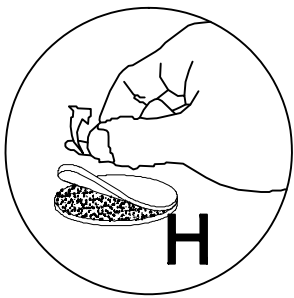
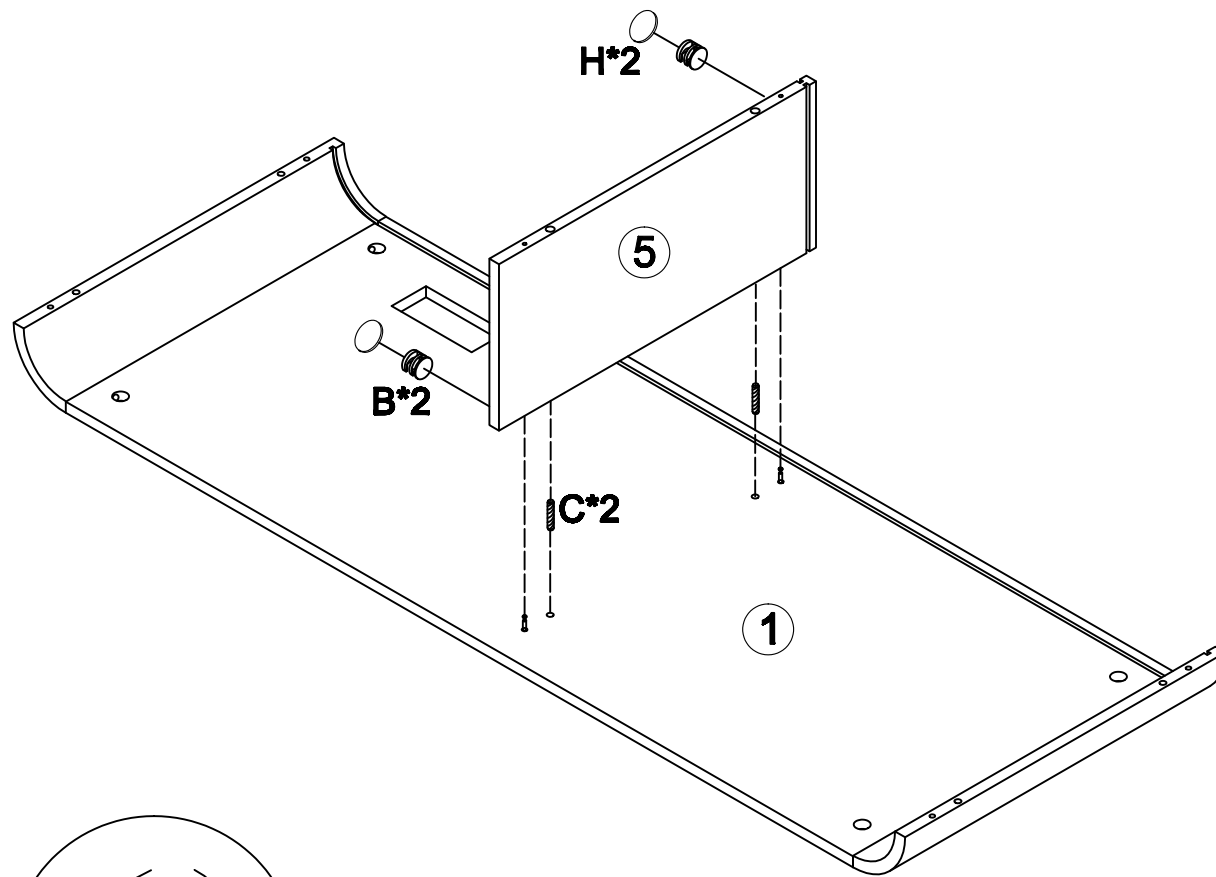
J	x1
	

F	x4
	
Ø3.5X48mm	

B	x10
	
Ø15X9.5mm	

C	x4
	
Ø6*30mm	

7

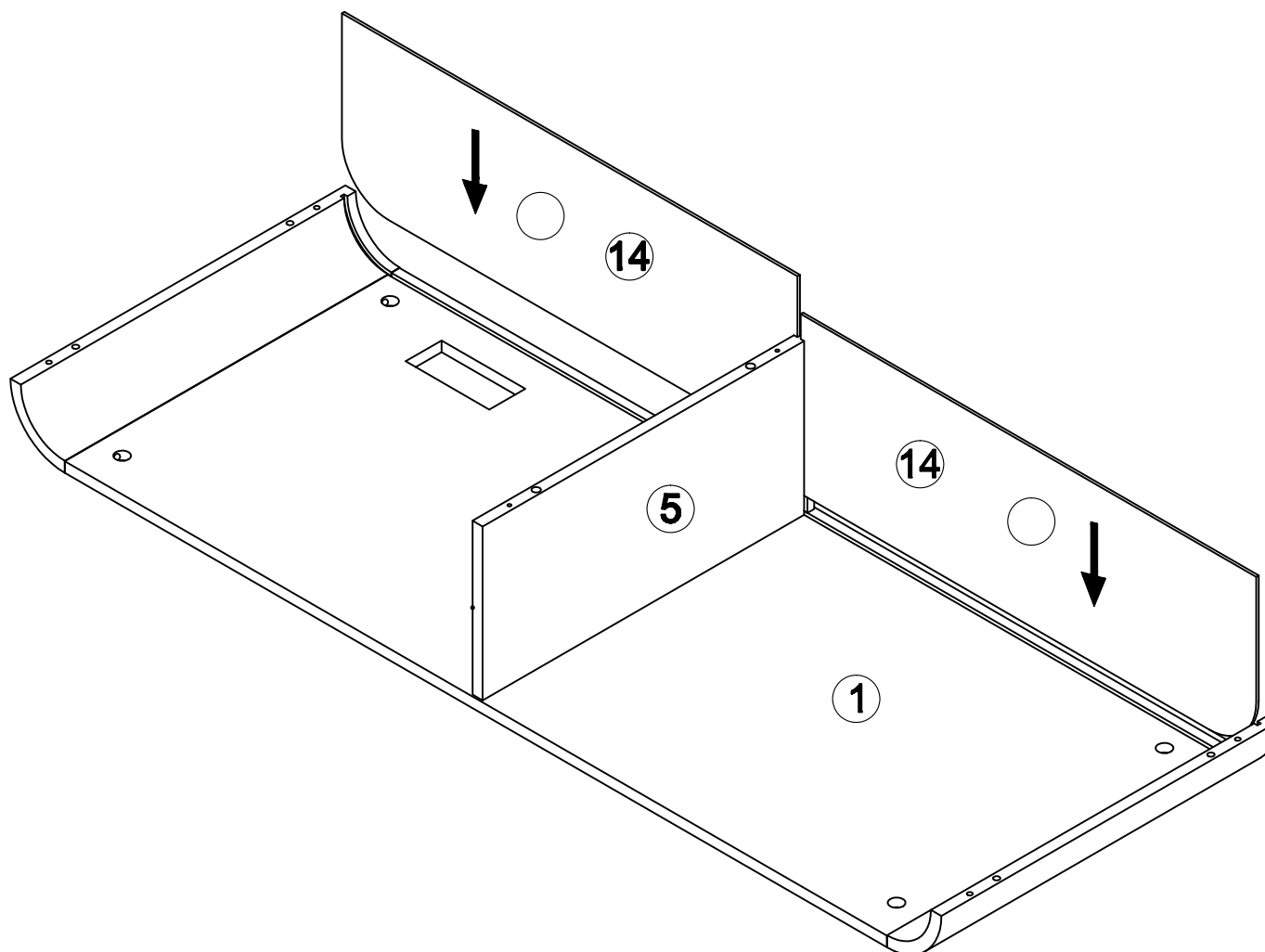


H	x2
Ø20mm	

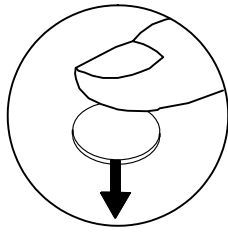
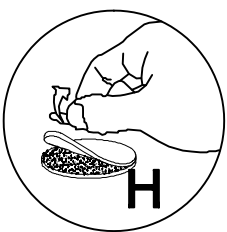
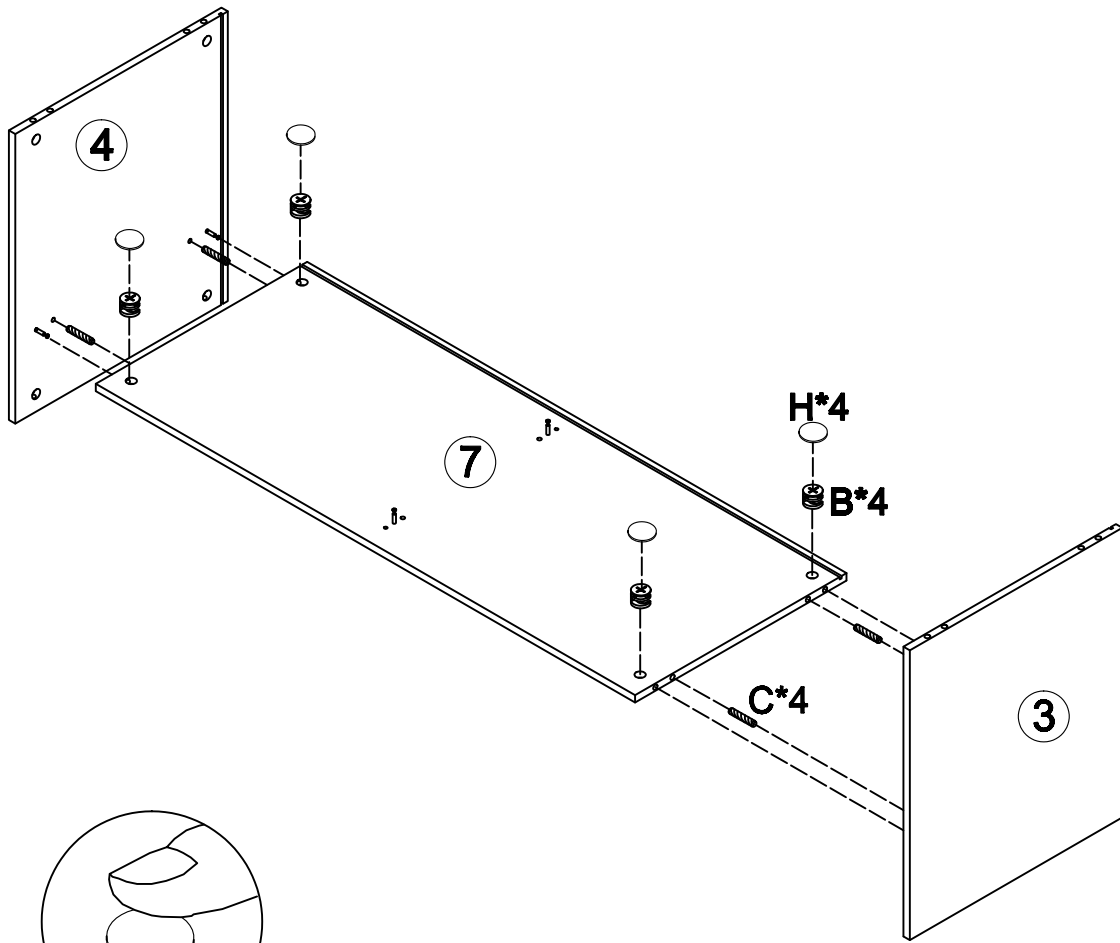
B	x2
Ø15X9.5mm	

C	x2
Ø6*30mm	

8



9

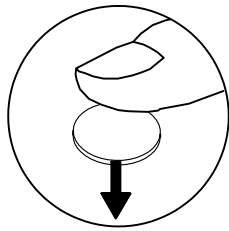
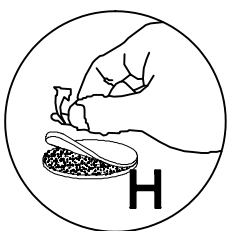
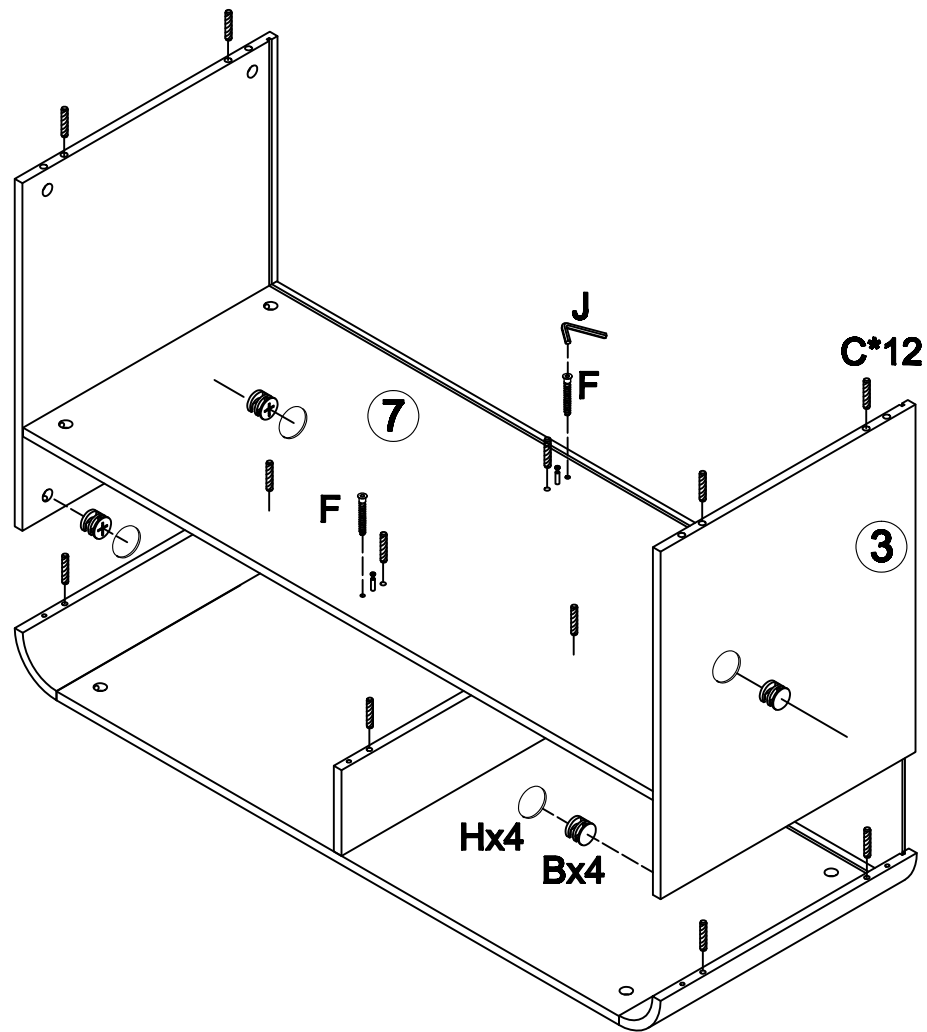


H	x4
Ø20mm	

B	x4
Ø15X9.5mm	

C	x4
Ø6*30mm	

10



J	x1

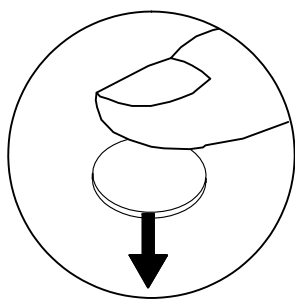
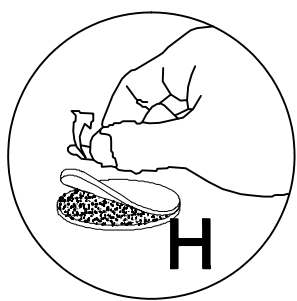
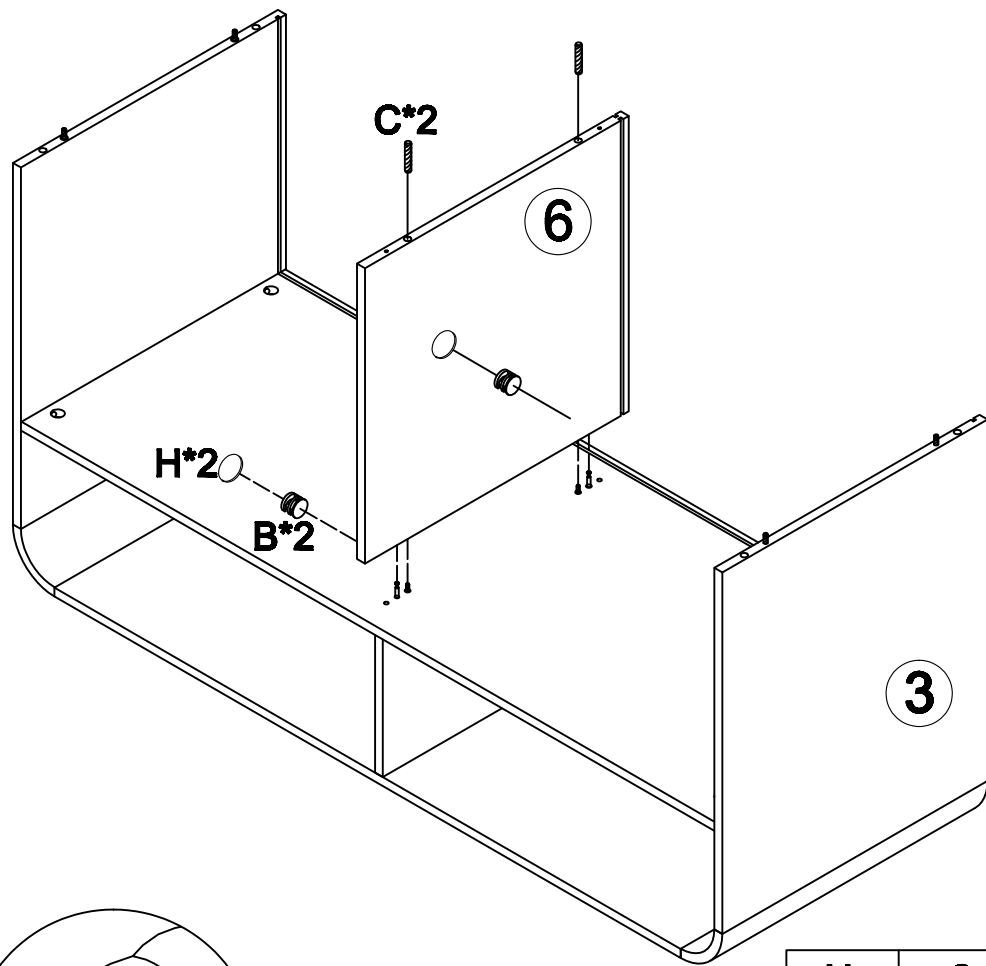
F	x2
Ø3.5X48mm	

H	x4
Ø20mm	

B	x4
Ø15X9.5mm	

C	x12
Ø6*30mm	

11

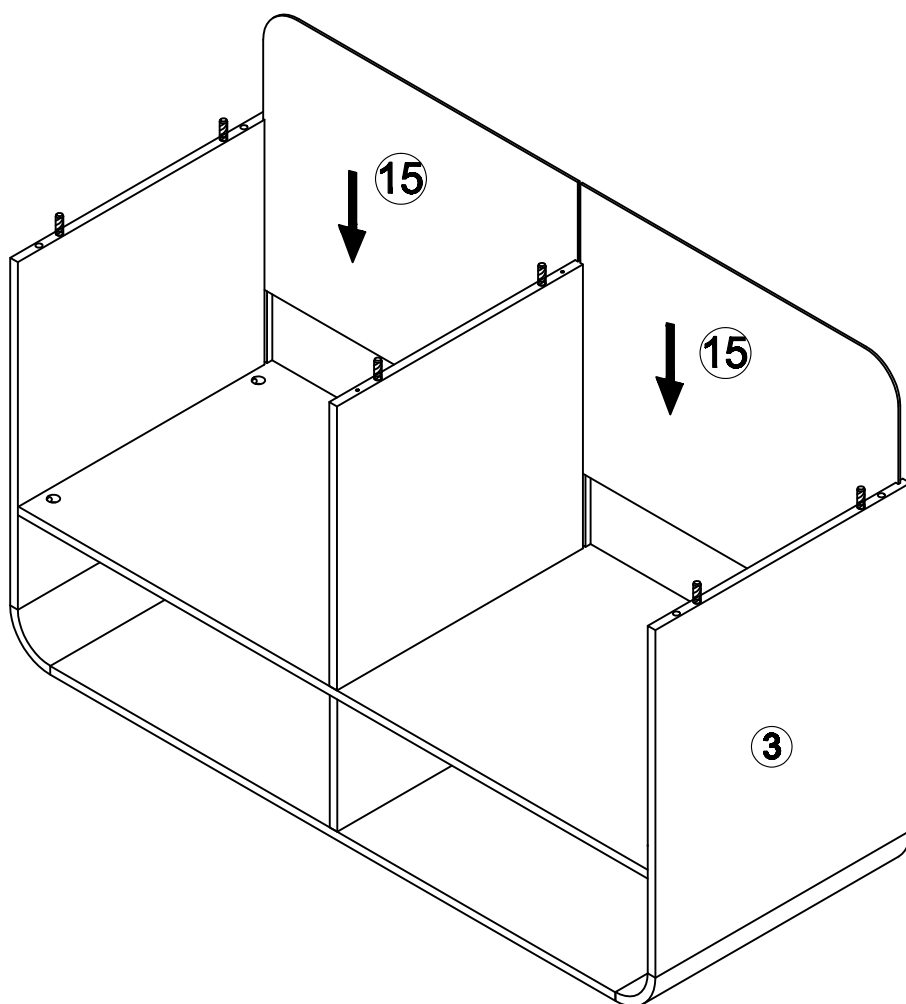


H	x2
Ø20mm	

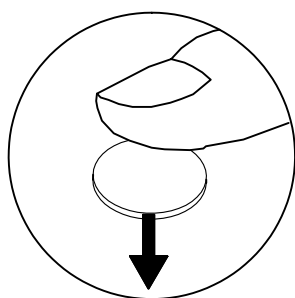
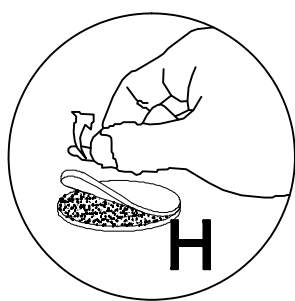
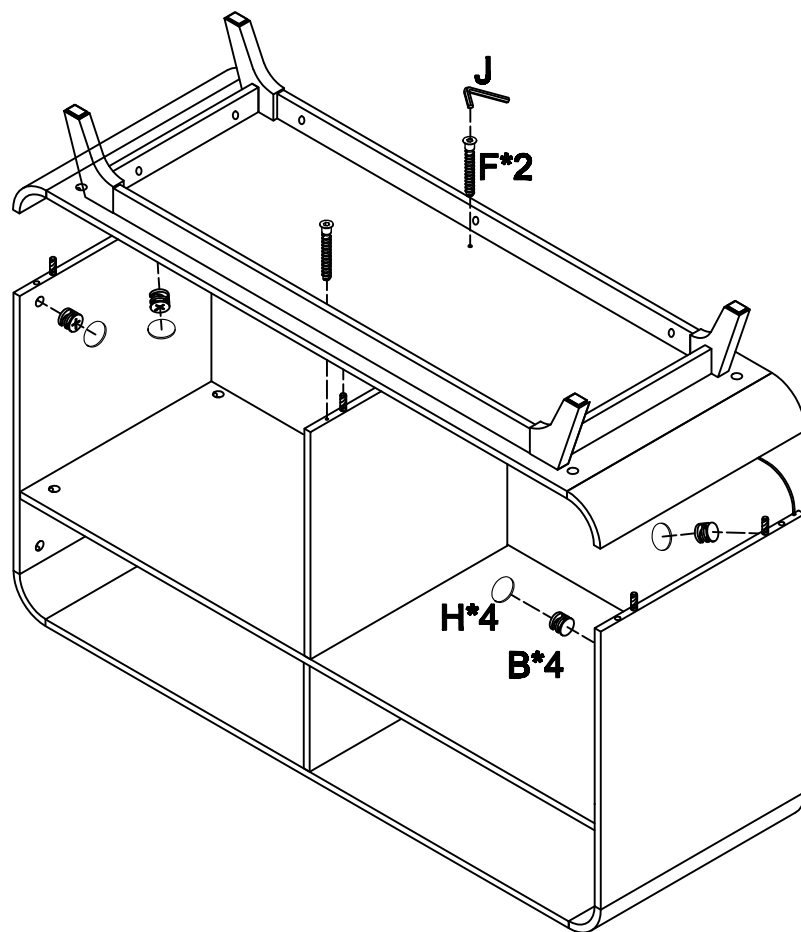
B	x2
Ø15X9.5mm	

C	x2
Ø6*30mm	

12



13



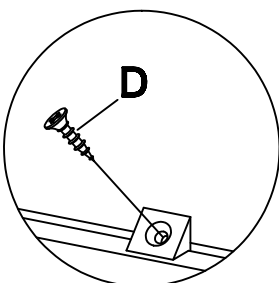
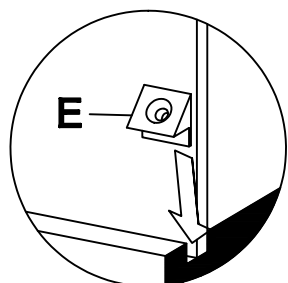
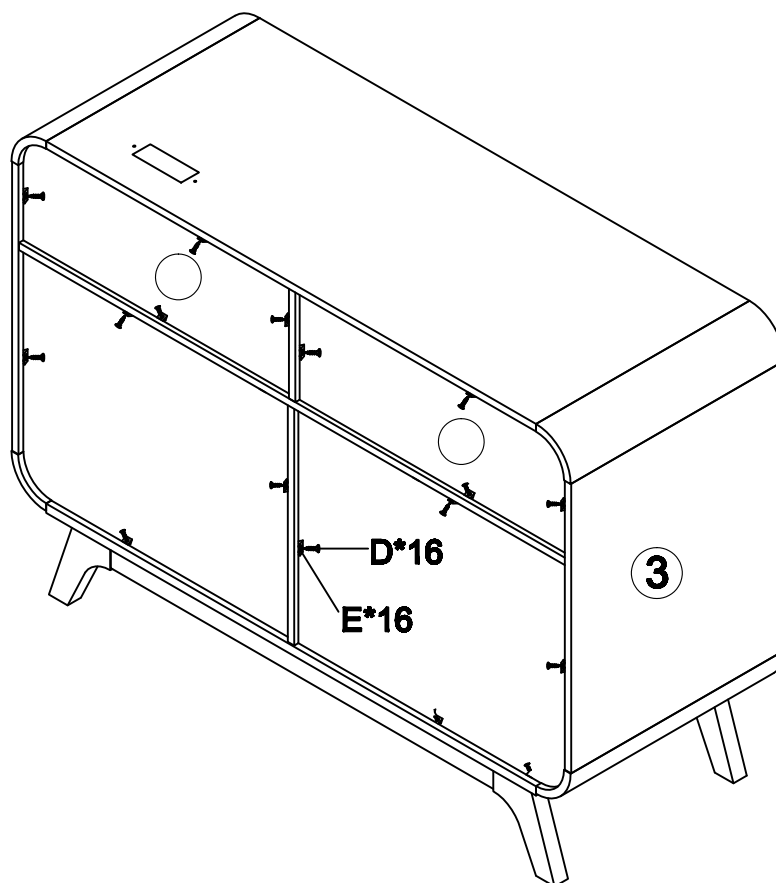
J	x1

F	x2
Ø3.5X48mm	

H	x4
Ø20mm	

B	x4
Ø15X9.5mm	

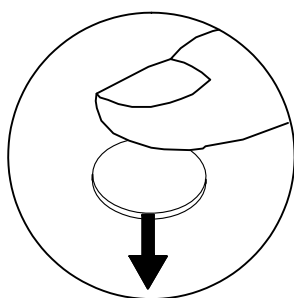
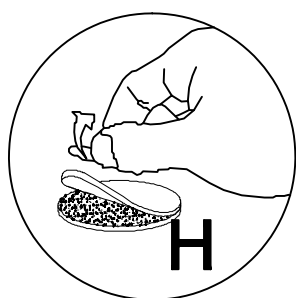
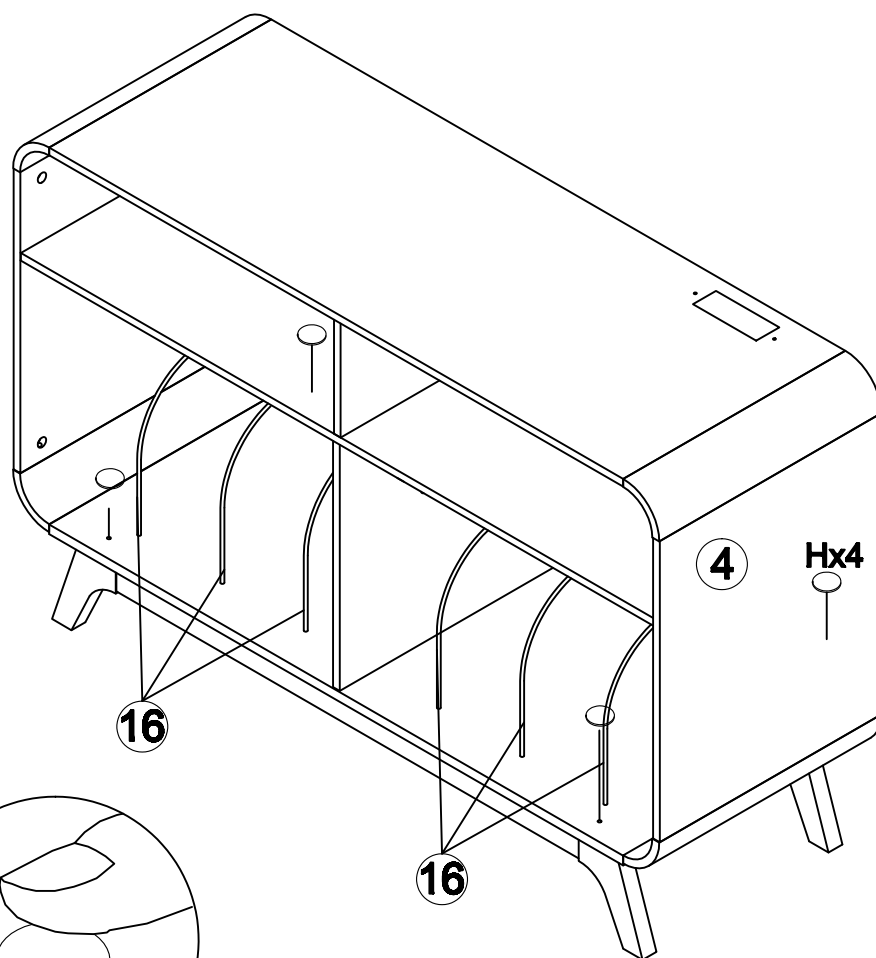
14



D	x16
Ø3.5*14mm	

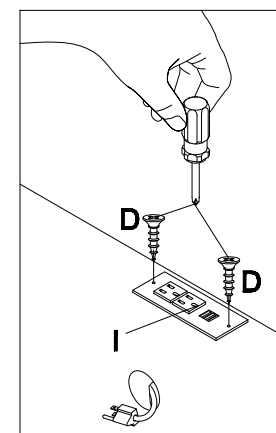
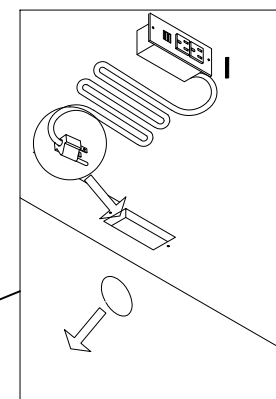
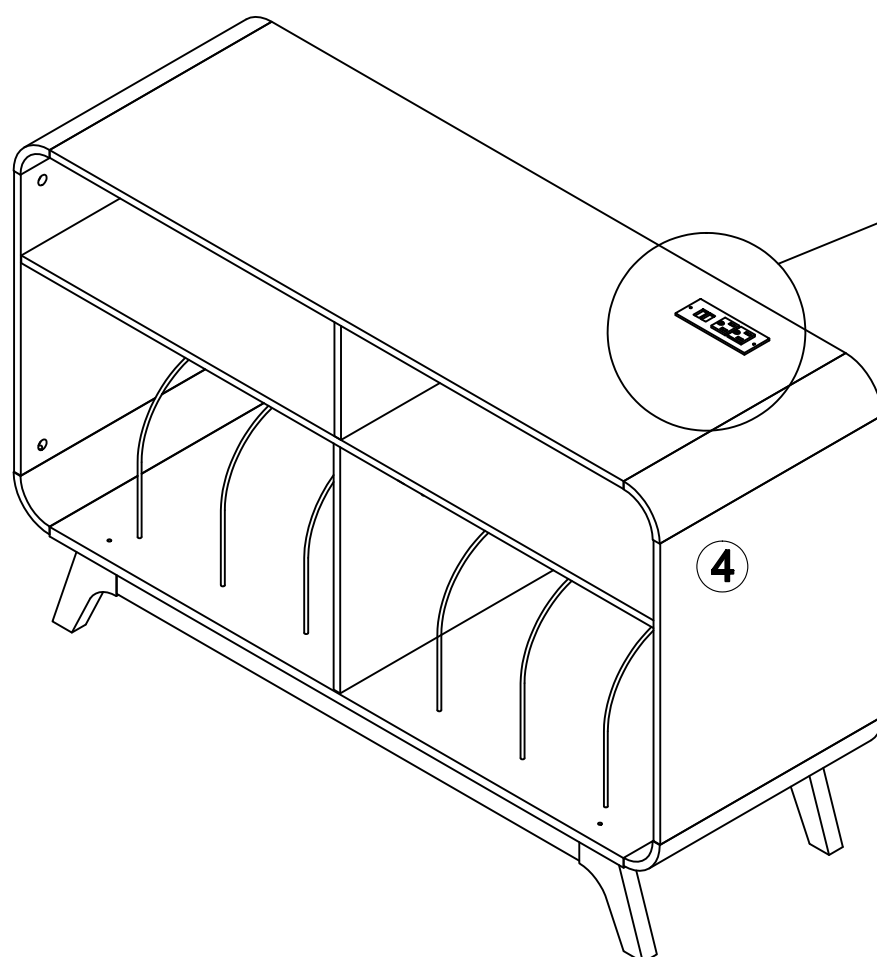
E	x16

15



H	x4
Ø20mm	

16



D	x2	I	x1
ø3.5*14mm			