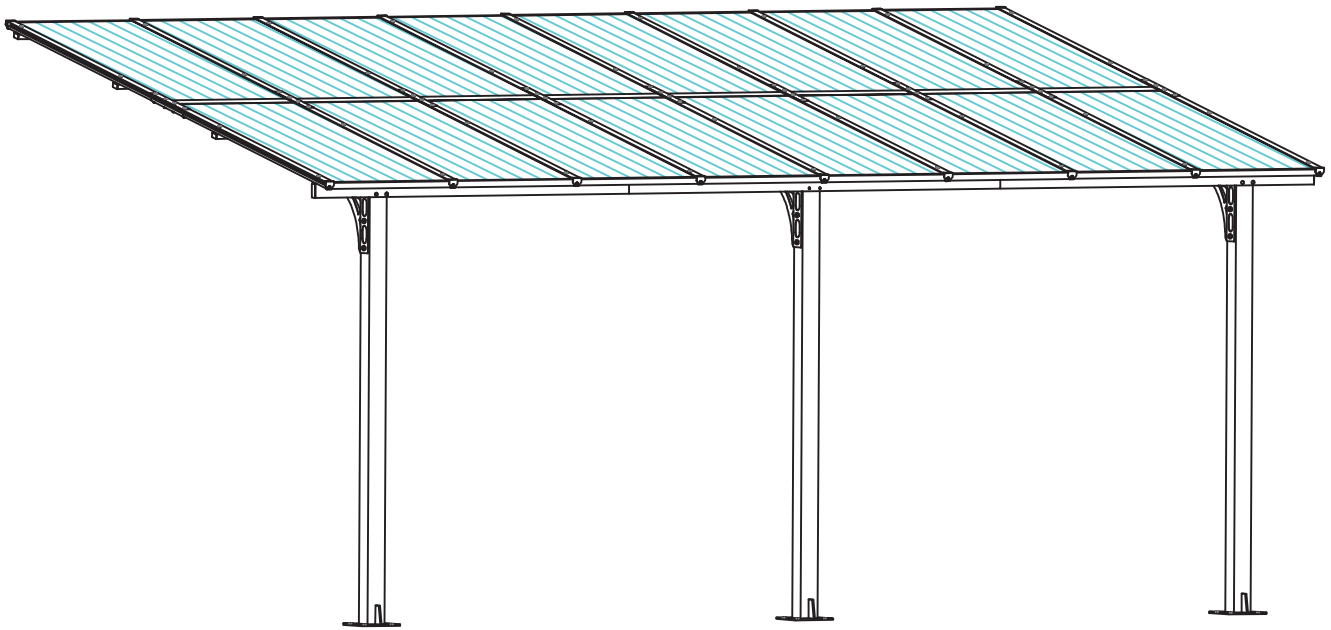


# ASSEMBLY INSTRUCTIONS SS16439

10'X16' freestanding gazebo

Thanks for choosing our product. Please kindly check parts listed below and read this manual carefully, then assemble them step by step. Please feel free to contact us for any questions.

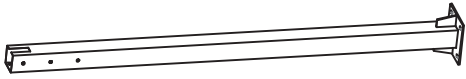


## Attention

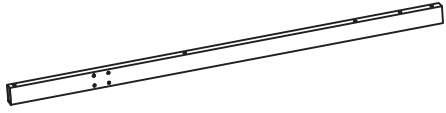
1. We care about every customer's using experience, please feel free to chat us if has anything missing or damaged or any advice, efficient solution would be offered soon.
2. Recommend 3-4 persons to assemble together.
3. Please use ladder when you install the top.
4. Please keep your children away when you assembly. This item contatins small parts which can be swallow by chilren.

# 10X16Parts List BOX A

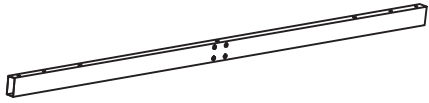
A x3



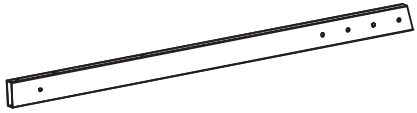
B x2



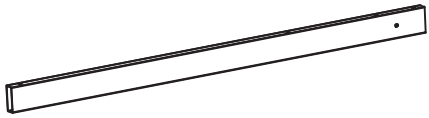
B3 x1



C x3



C2 x3



D3 x3



T x9



U2 x3



U1 x6



F x16



G x8



N2 x3



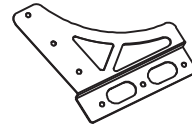
N x2



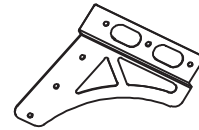
N3 x6



P x3



P1 x3



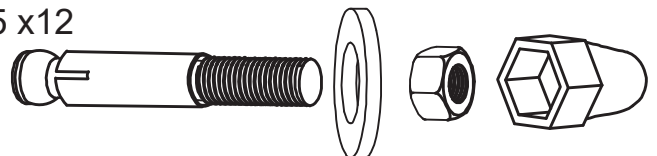
S x9



Z3



Z5 x12



## 10X16Parts List BOX A

X x18

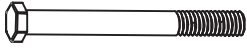


W x88



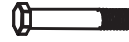
M6\*15

Z x9



M10\*95

Z2 x9



M10\*45

W4 x3



M6\*70

W3 x42



M6\*40

R x18



Y x12



M6\*12

W2 x33



M6\*45

Z1 x72



U x2



X2 x36



## 10X16Parts List BOX B

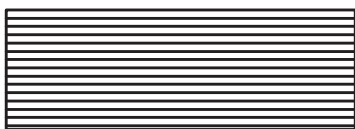
D x6



E x18



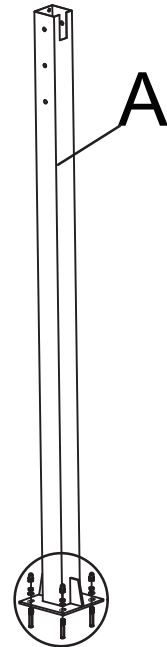
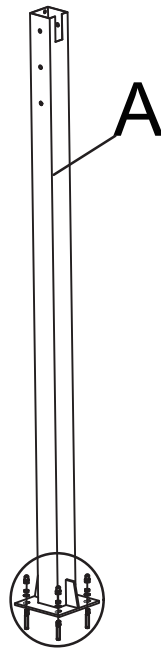
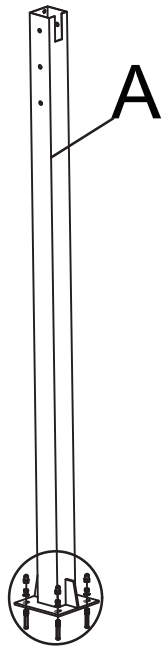
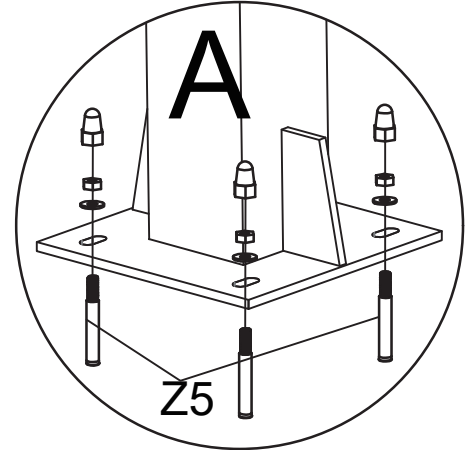
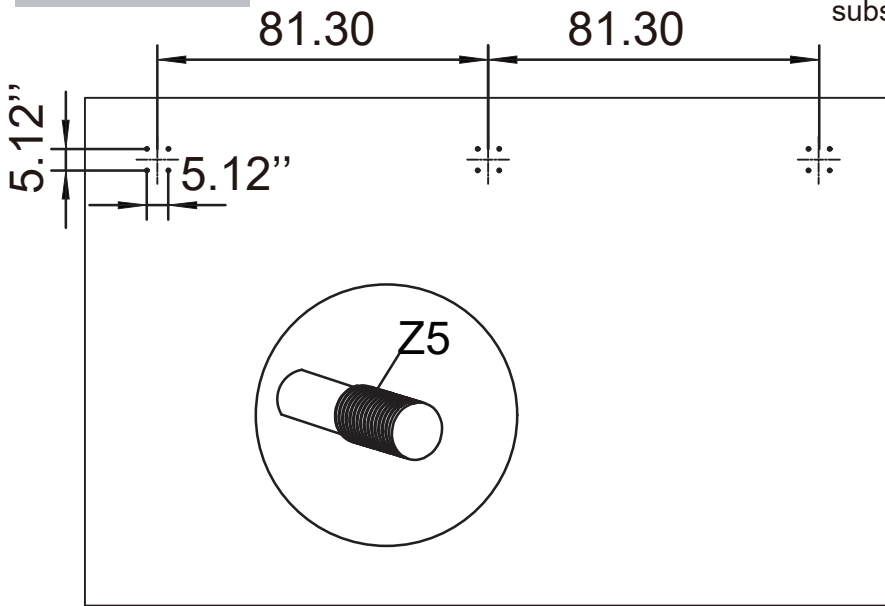
K1 x16



# Assembly Instruction

## STEP 1

Measure the distance between the two legs and fix the legs first for subsequent installation.



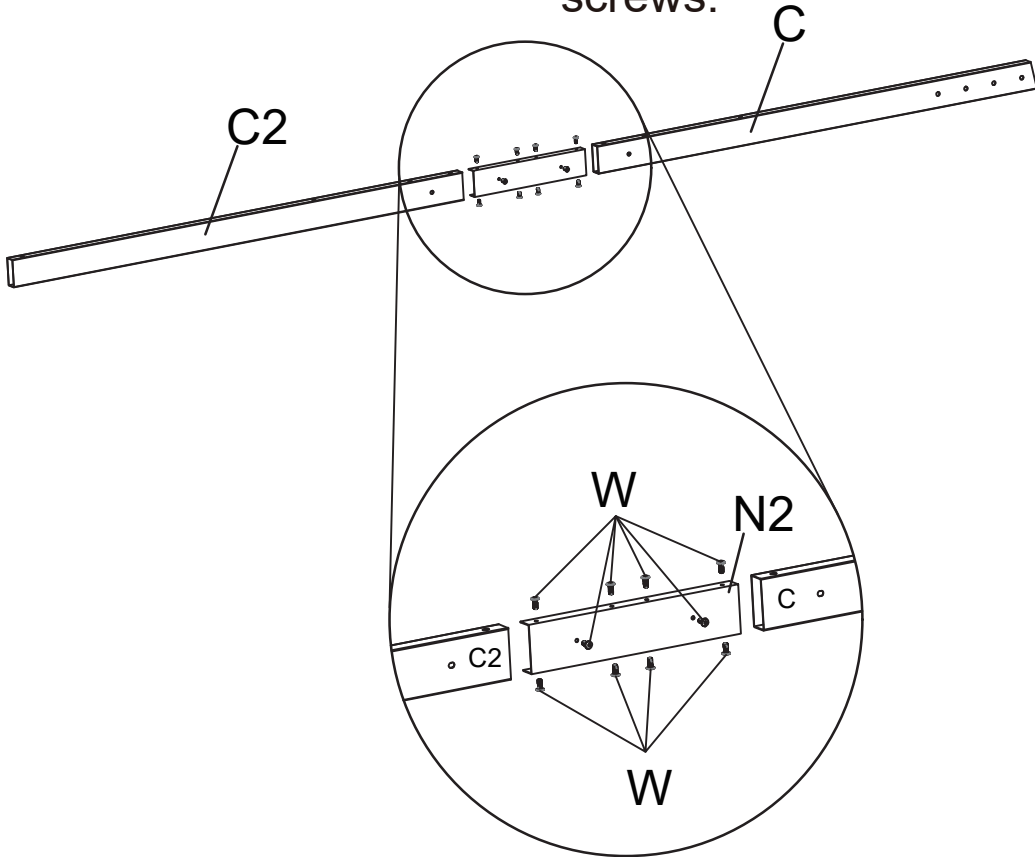
A x3



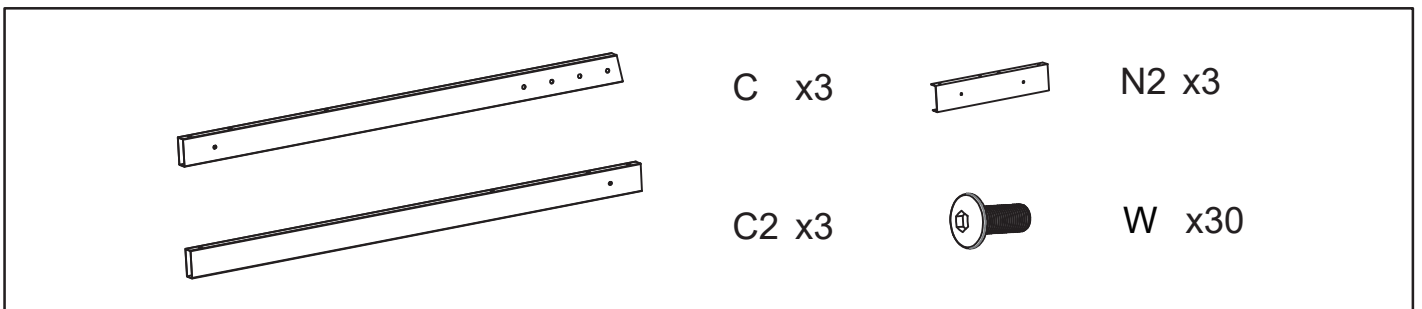
Z5 x12

STEP2

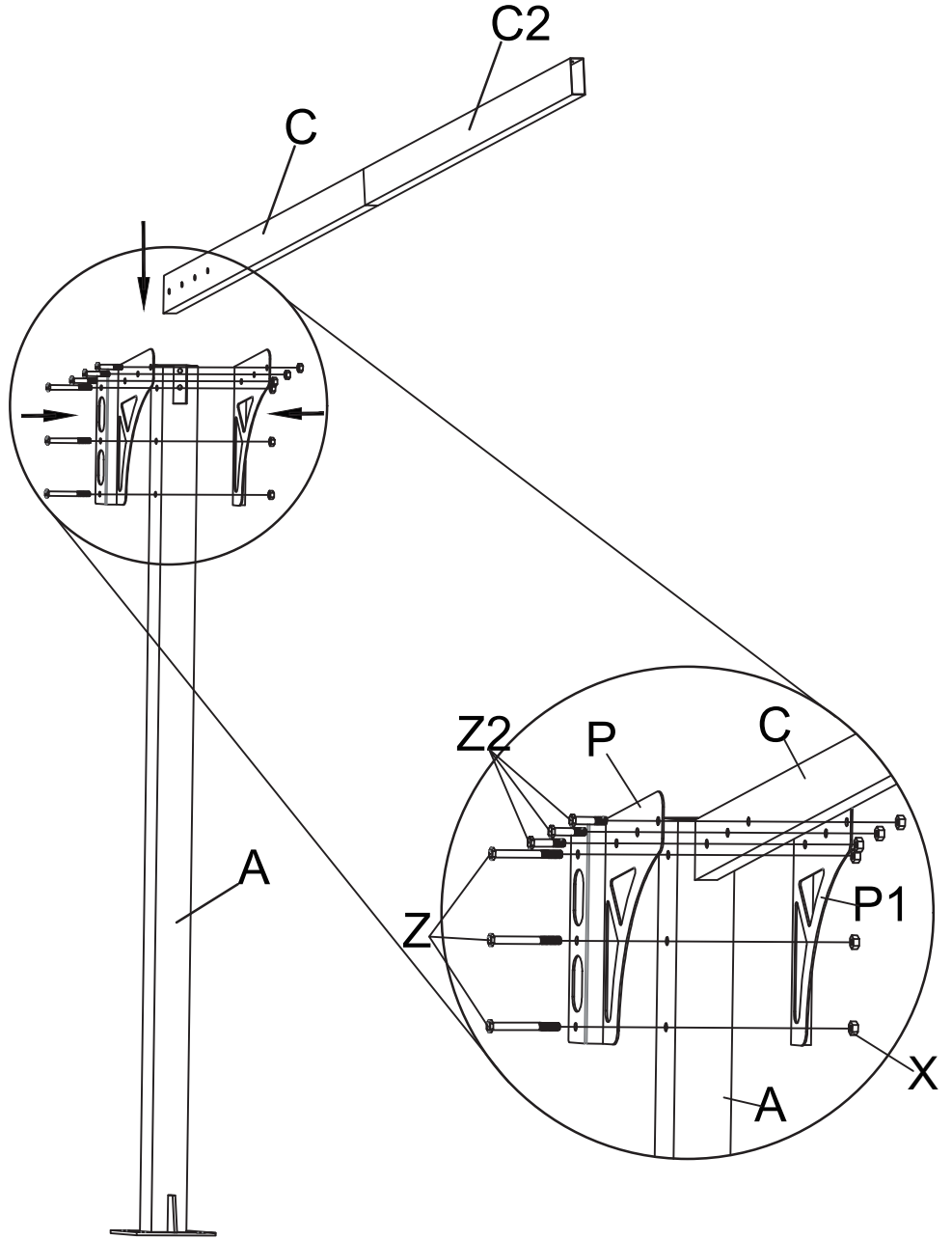
Please note the installation position of the two types of screws.



X3



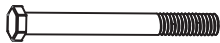
STEP 3



X3



P x3



Z x9

X x18



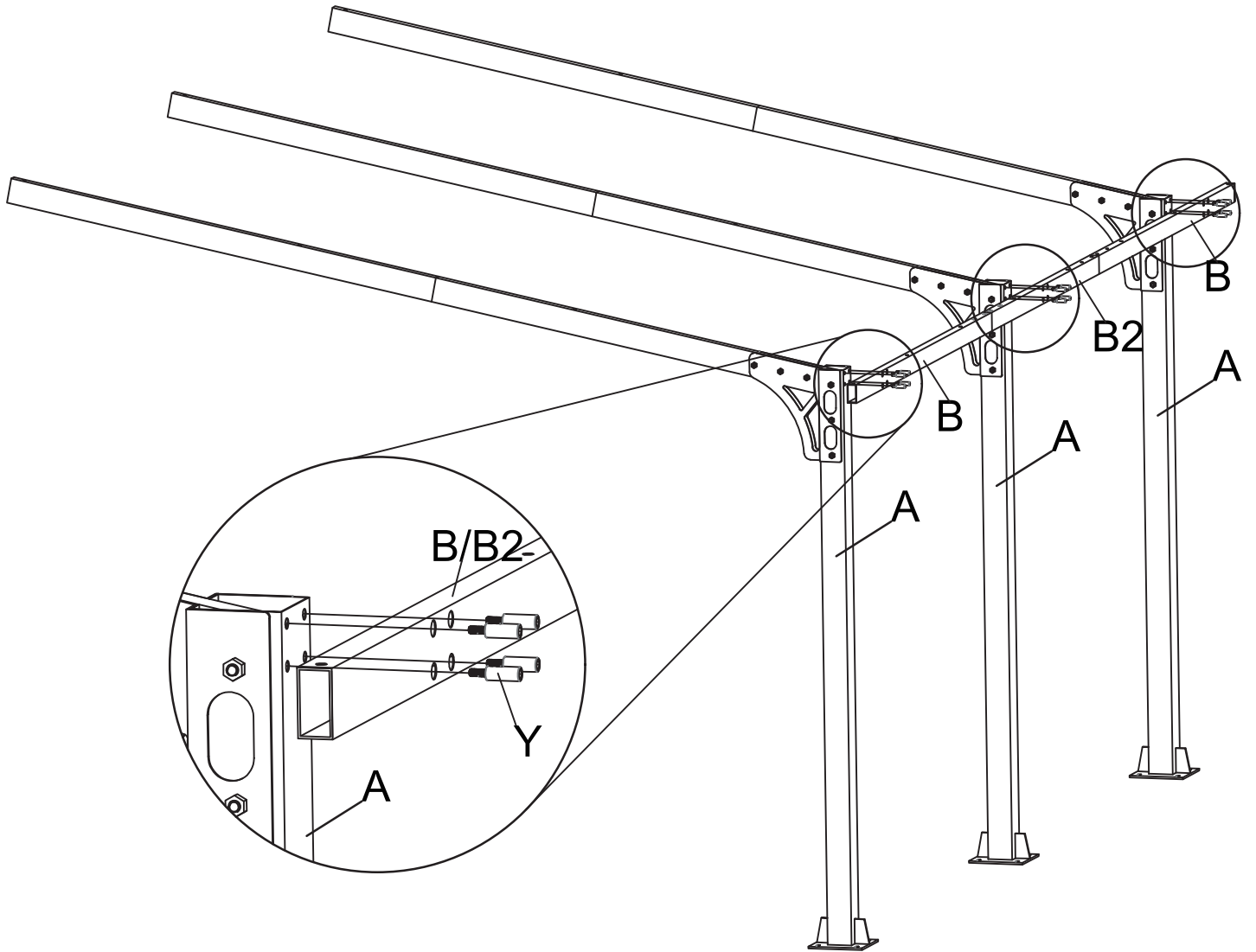
P1 x3



Z2 x9

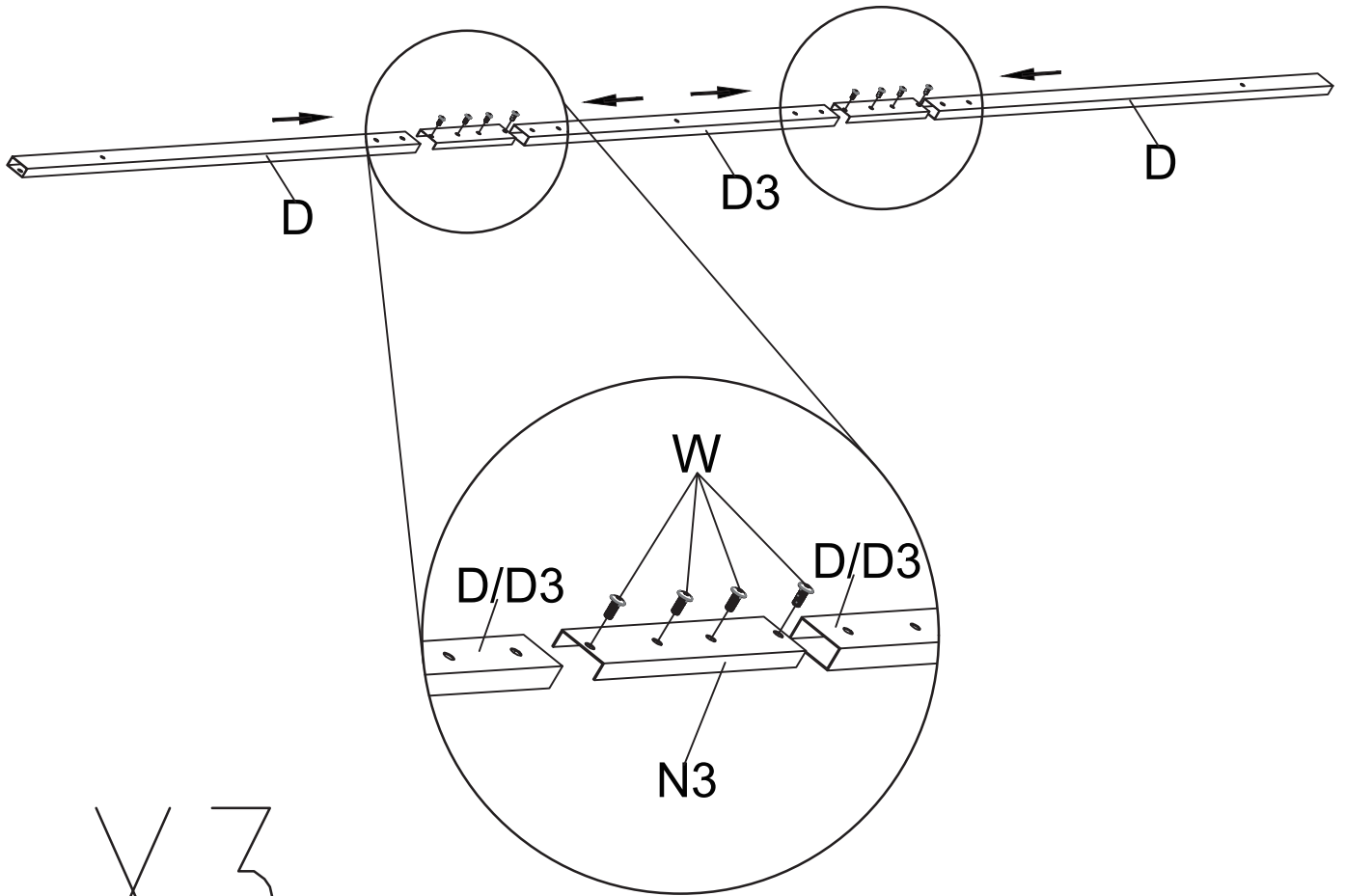


STEP 5







Y x12

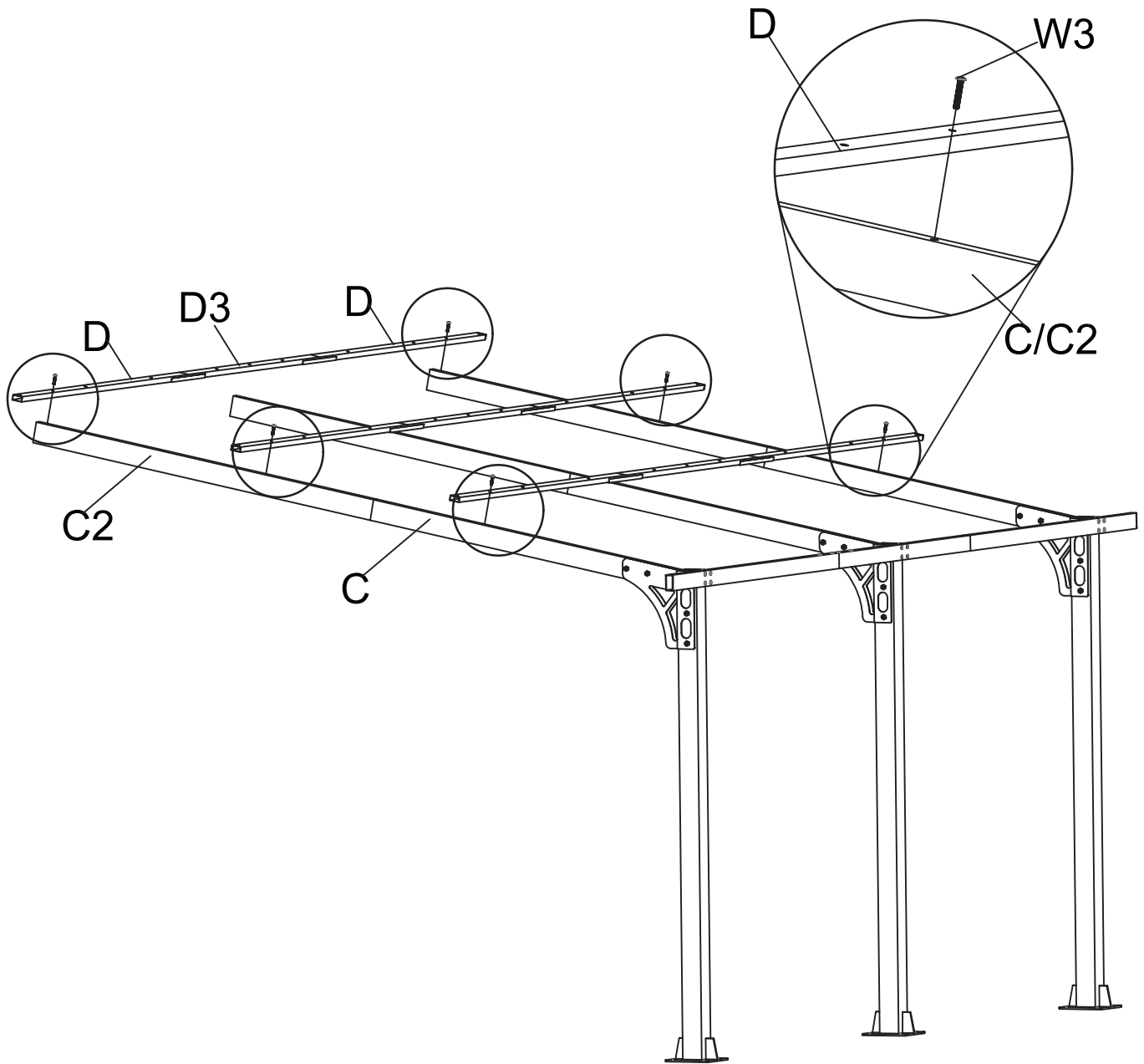
STEP 6



X3

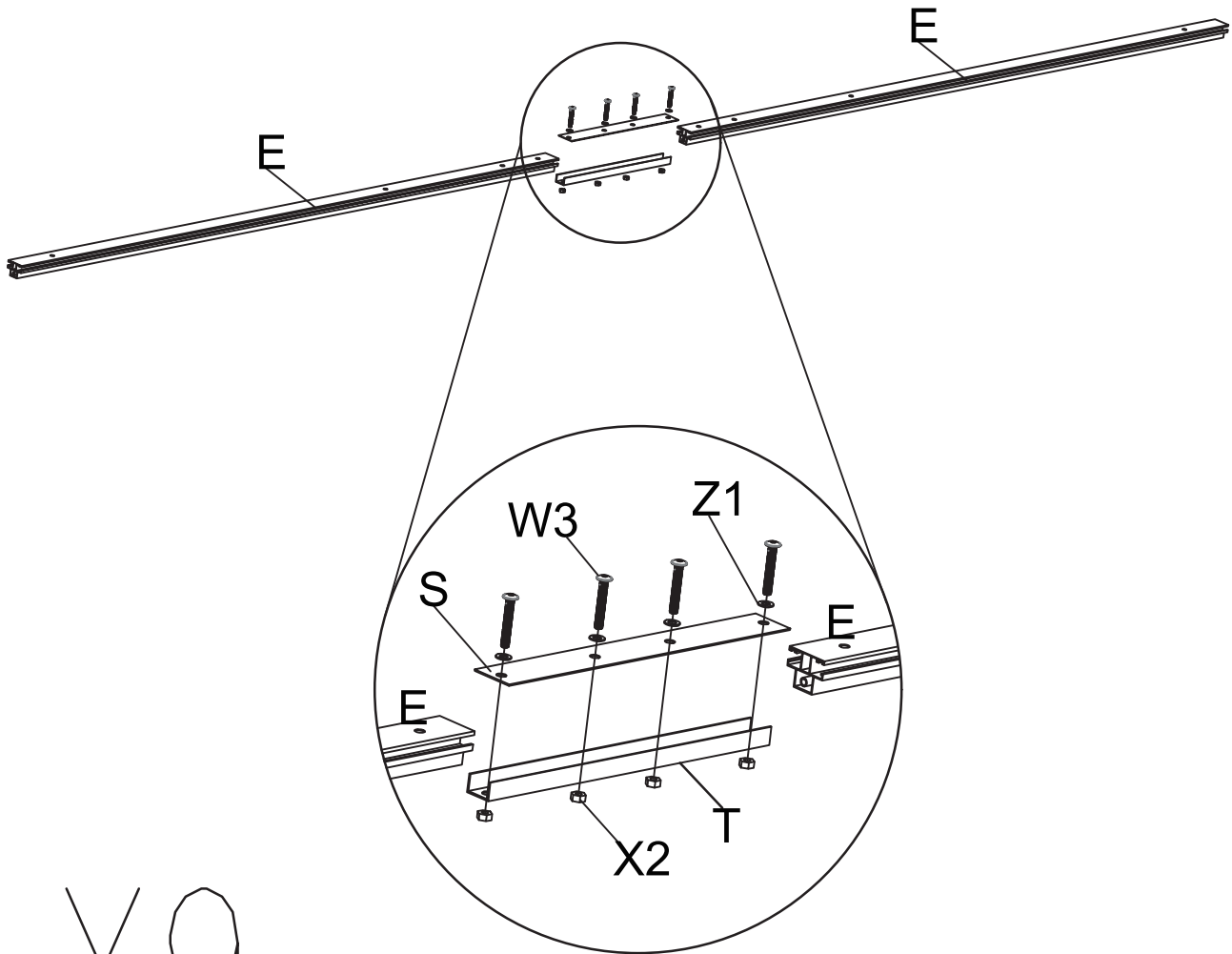
	D x6		N3 x6
	D3 x3		W x24

STEP 7









W3 x6

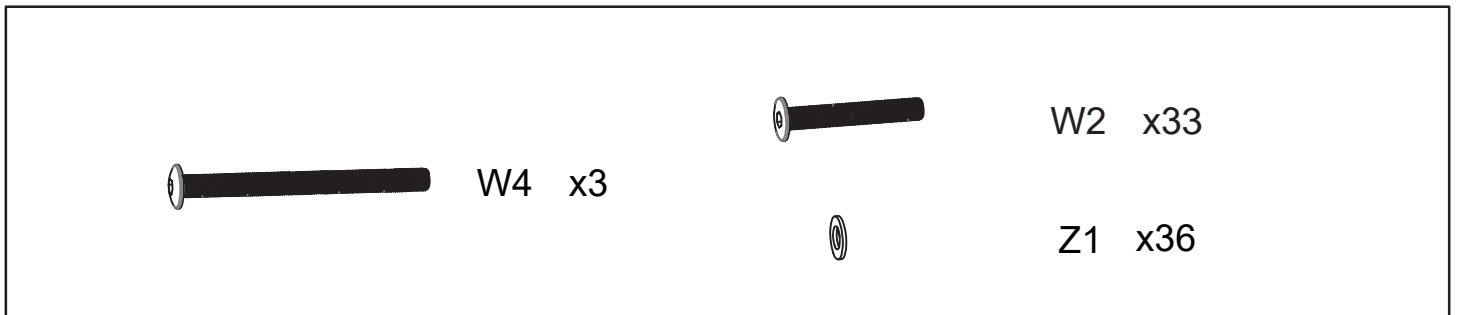
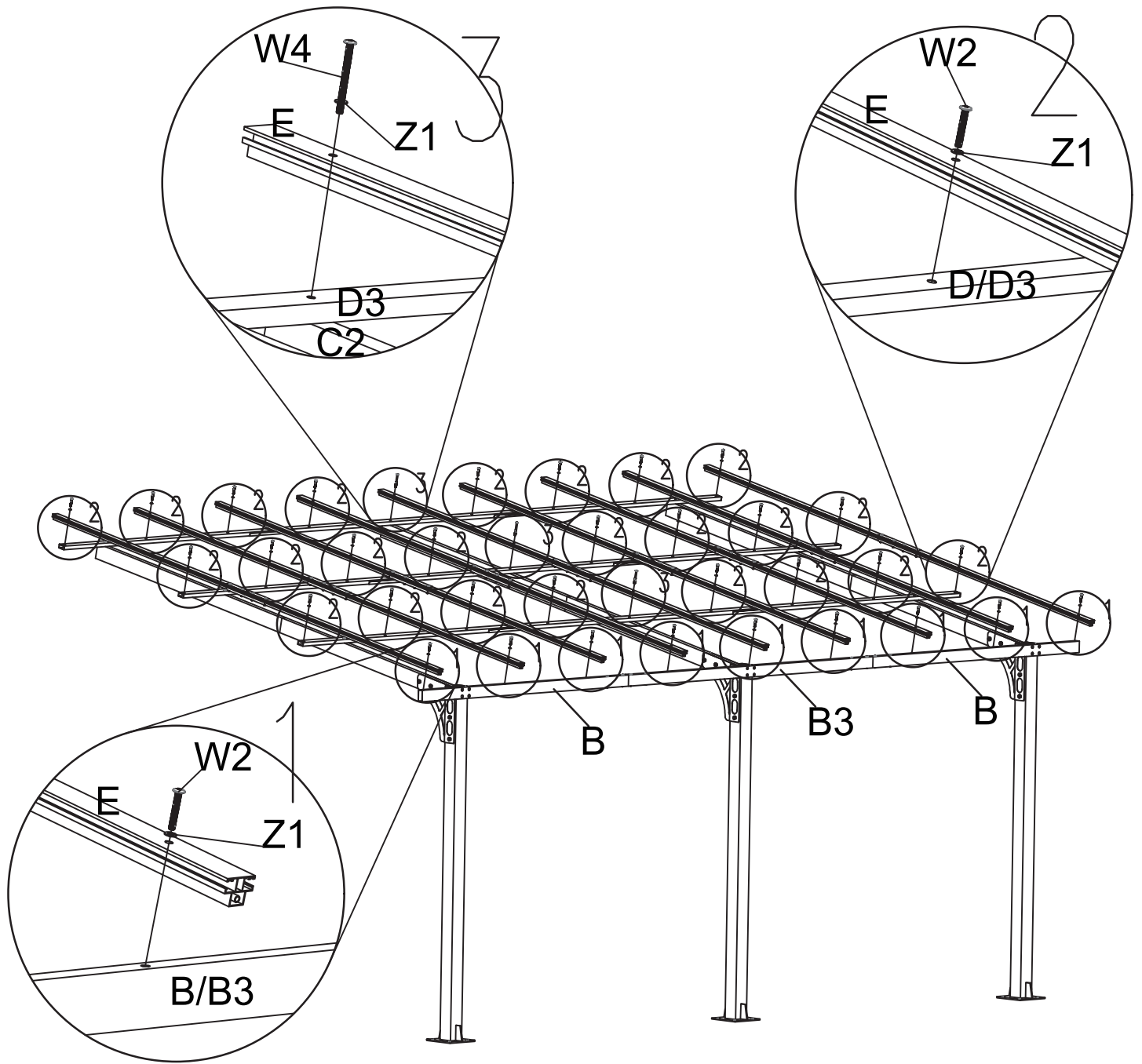
STEP 8



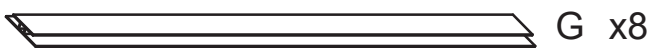
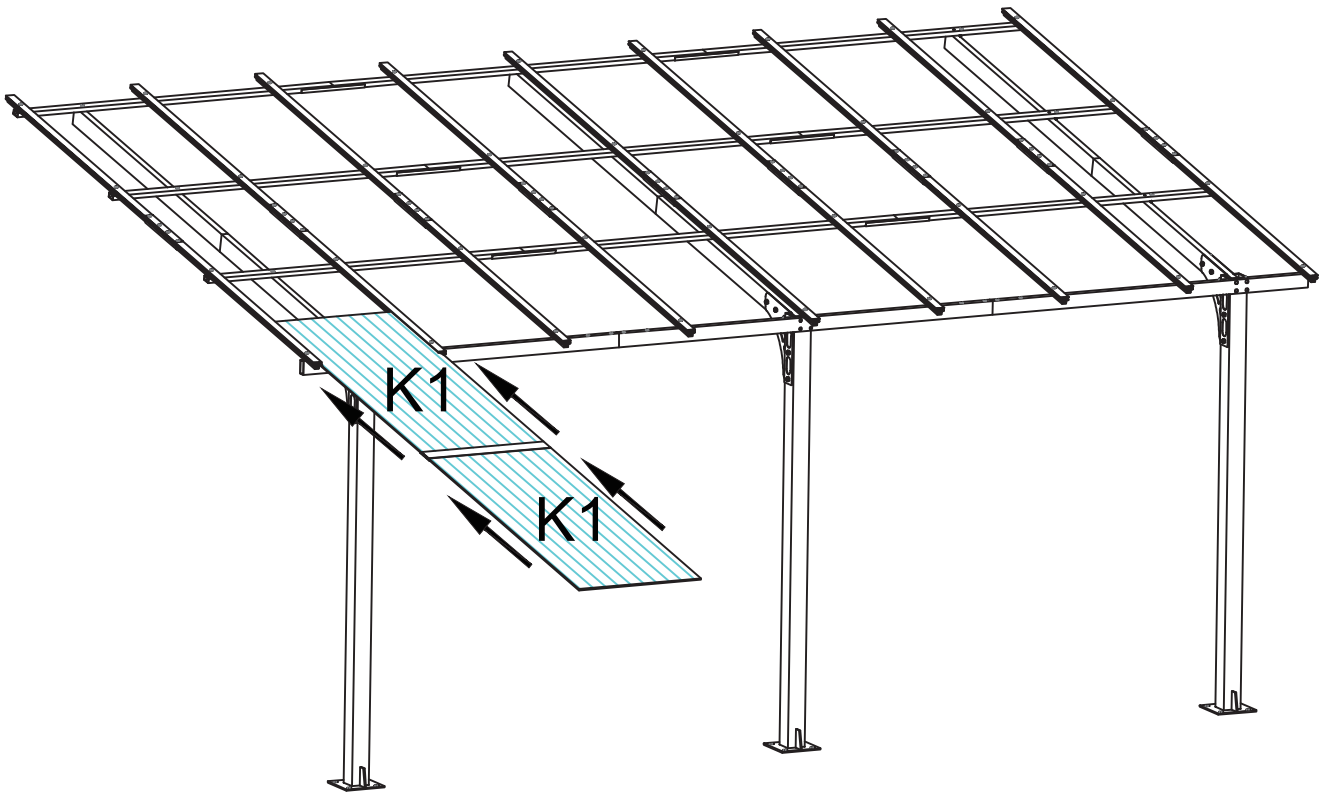
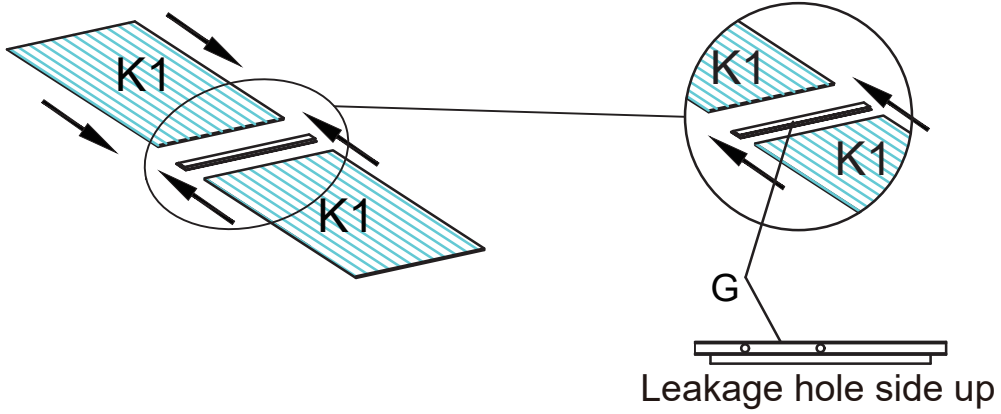
X9

 S x9	 T x9	 W3 x36
 E x18		 Z1 x36
		 X2 x36

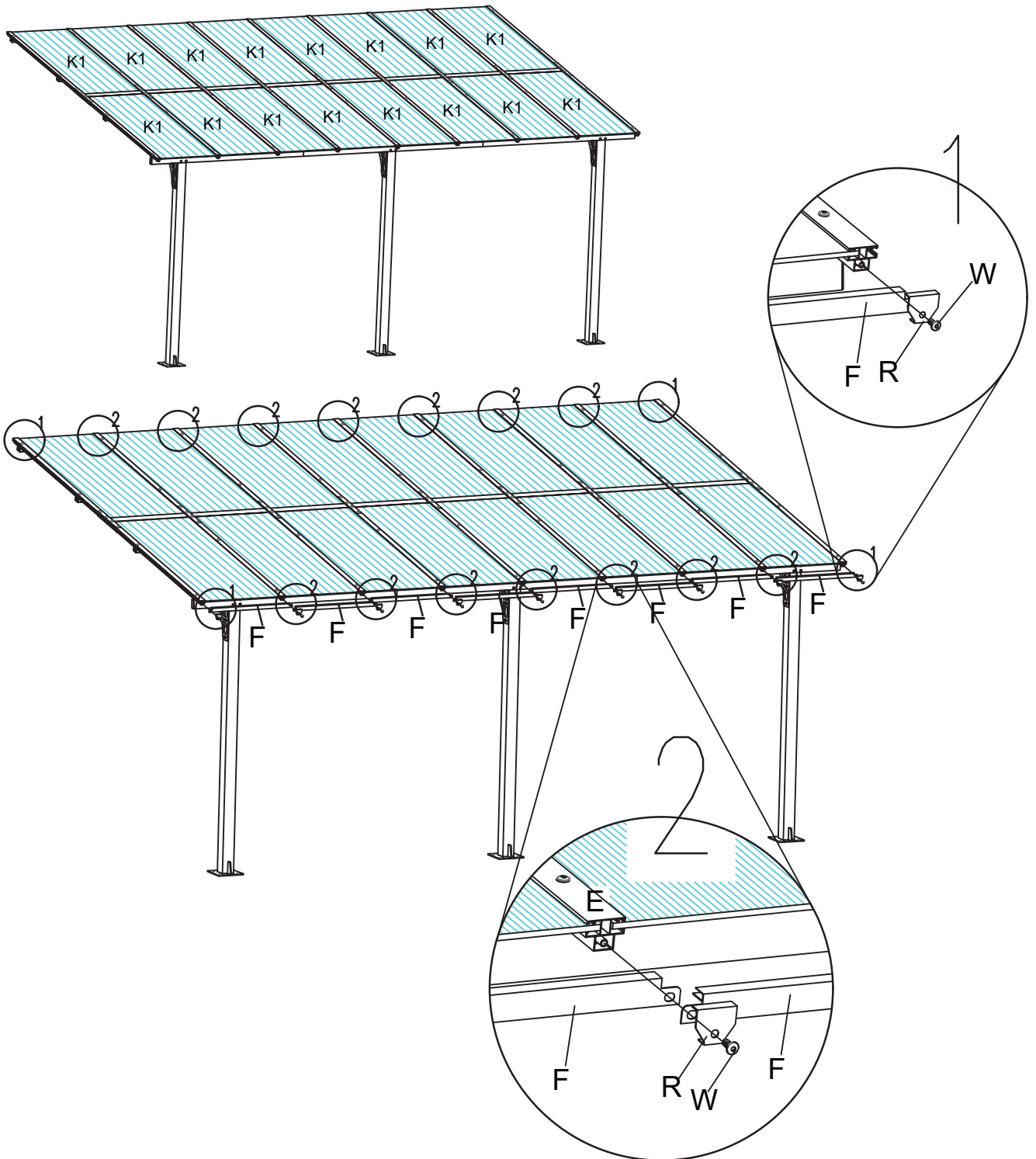
STEP 9



STEP10



STEP 11



STEP 12

