

# USER'S MANUAL

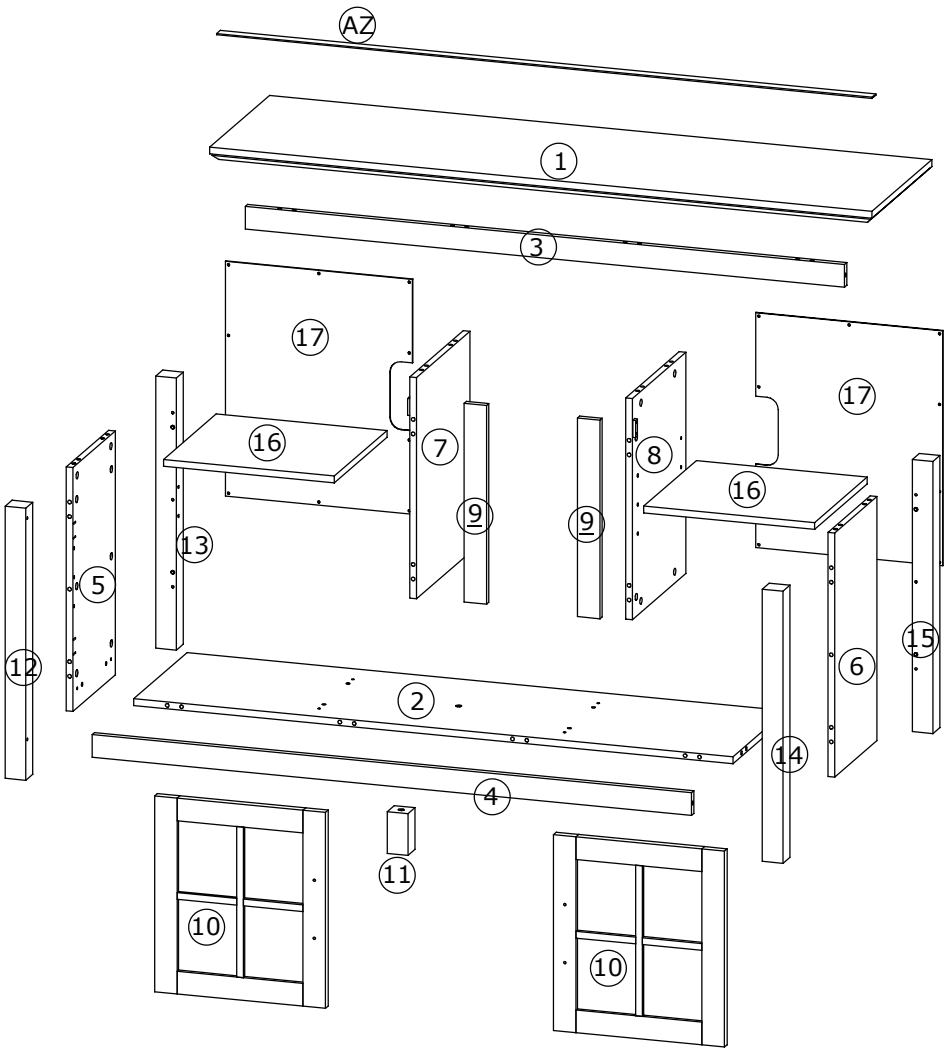
## Insert Fireplace Heater

THIS INSTRUCTION BOOKLET CONTAINS **IMPORTANT** SAFETY INFORMATION. PLEASE READ AND KEEP FOR FUTURE REFERENCE.





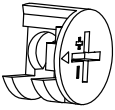
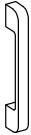


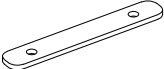



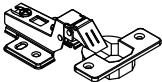
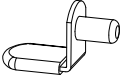

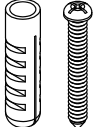


## Before You Start

- ⚠ Please read all instructions carefully.
- ⚠ Retain instructions for future reference.
- ⚠ Separate and count all parts and hardware.
- ⚠ Read through each step carefully and follow the proper order.
- ⚠ We recommend that, where possible, all items are assembled near to the area in which they will be placed in use, to avoid moving the product unnecessarily once assembled.
- ⚠ Always place the product on a flat, steady and stable surface.
- ⚠ Keep all small parts and packaging materials for this product away from babies and children as they potentially pose a serious choking hazard.




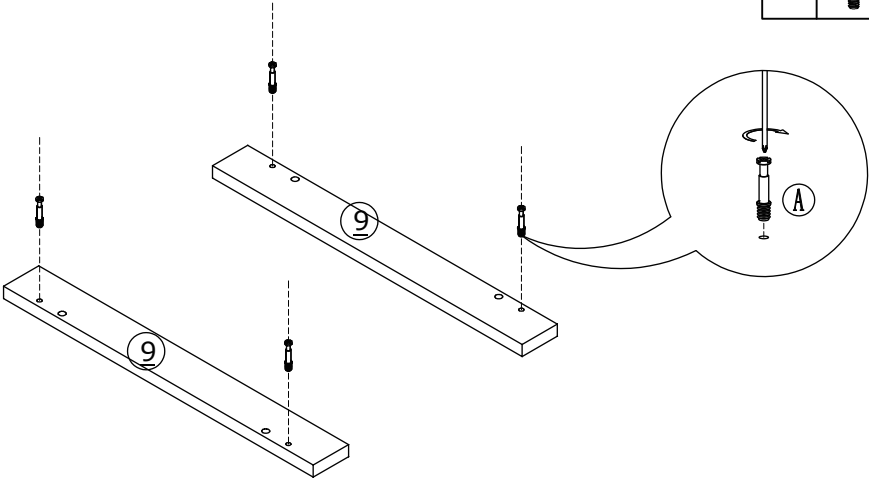
## PACKAGE CONTENT

<b>CODE</b>	<b>DESCRIPTION</b>	<b>QTY</b>
1	Countertop Board	1
2	Bottom Board	1
3	Top Front Strip	1
4	Bottom Front Strip	1
5	Left Side Plate	1
6	Right Side Plate	1
7	Left middle side plate	1
8	Right middle side plate	1
9	Middle front block	2
10	Door plank	2
11	Middle leg	1
12	Left front leg	1
13	Left hind leg	1
14	Right front leg	1
15	Right hind leg	1
16	Movable Shelf	2
17	Back Panel	2
AZ	Anti-toppling Strip	1



<p>(A)</p>  <p>x 44+1</p>	<p>(B)</p> <p>Ø8x30mm</p>  <p>x 36+1</p>	<p>(C)</p> <p>Ø15</p>  <p>x 44+1</p>	<p>(D)</p>  <p>x 2</p>
<p>(E)</p> <p>Ø3.9x15mm Silvery</p>  <p>x 24+1</p>	<p>(F)</p> <p>Ø3.5x16mm</p>  <p>x 22+1</p>	<p>(G)</p>  <p>x 2</p>	<p>(H)</p> <p>Ø5/32" x 22mm</p>  <p>x 4</p>
<p>(I)</p> <p>Ø1/4" x 30mm</p>  <p>x 1</p>	<p>(J)</p>  <p>x 34</p>	<p>(K)</p>  <p>x 4</p>	<p>(L)</p>  <p>x 8</p>
<p>(M)</p>  <p>x 2+4</p>	<p>(N)</p> <p>32*19*19mm</p>  <p>x 2+2</p>	<p>(O)</p> <p>Ø2.9x12mm</p>  <p>x 4</p>	<p>(AZ)</p>  <p>x 1</p>

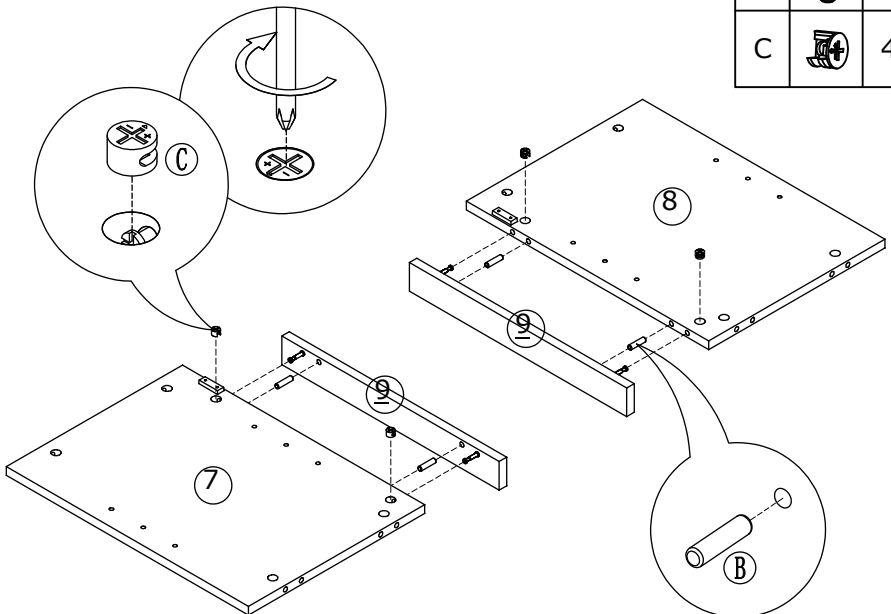
## Step 1

A		4
---	---	---

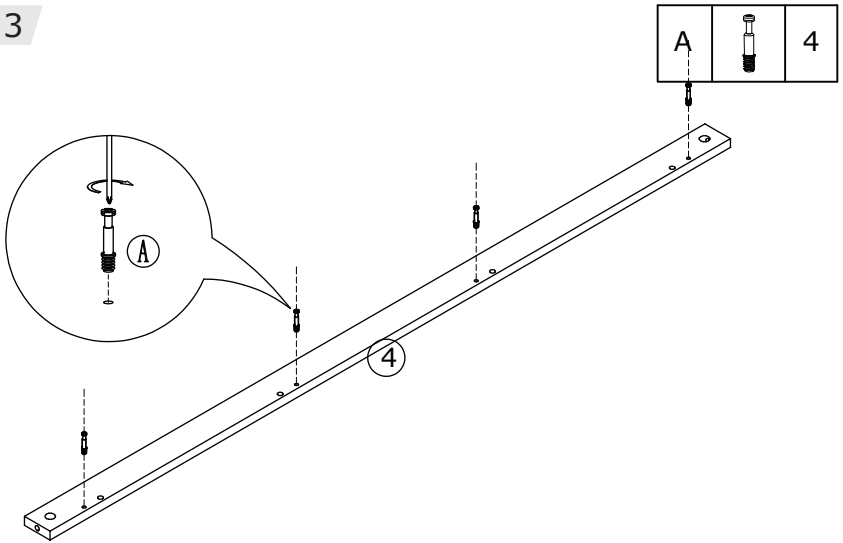


## Step 2

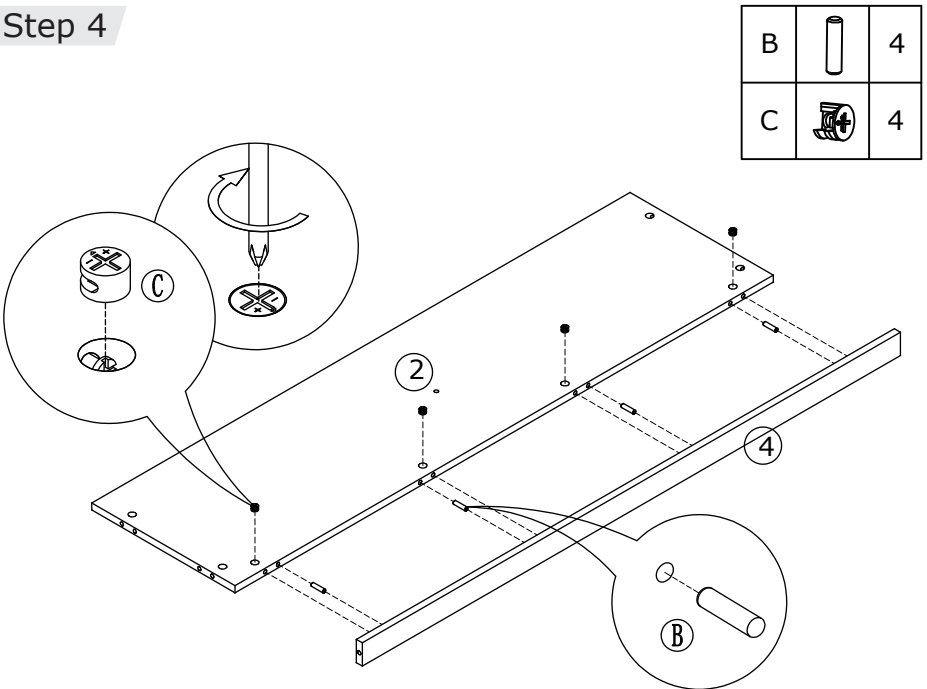
B		4
C		4




### Step 3

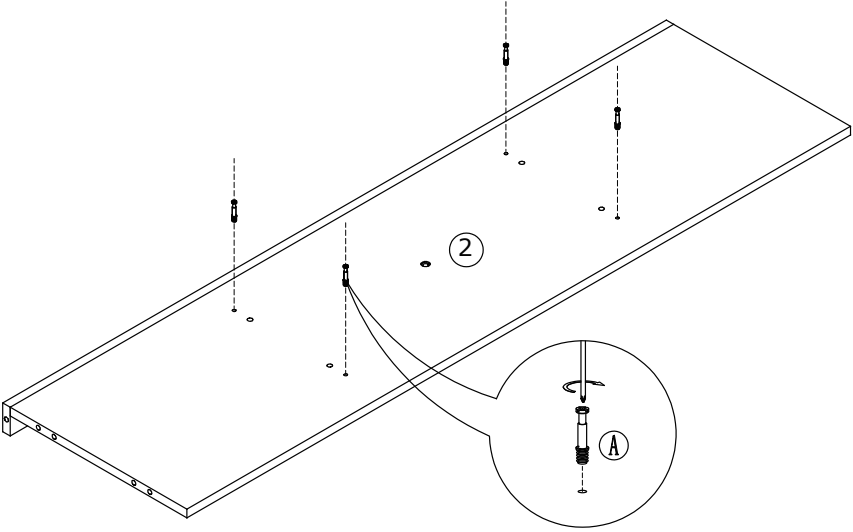


### Step 4



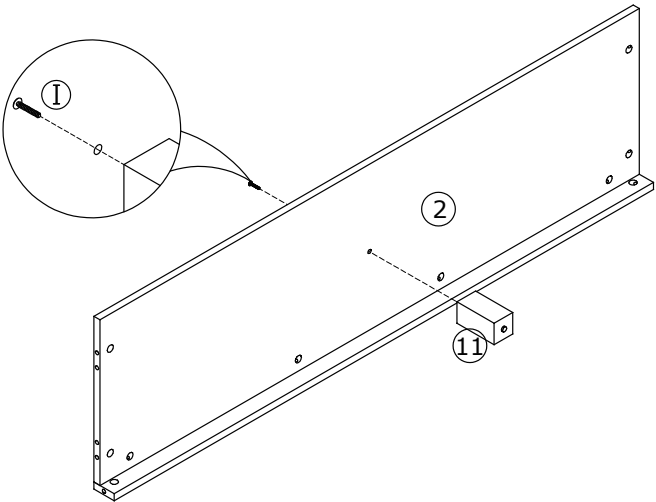
### Step 5

A		4
---	---	---

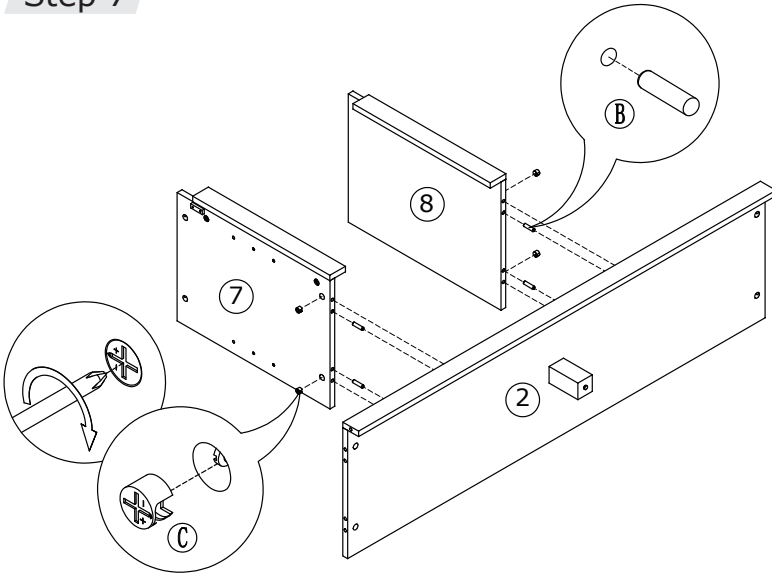




### Step 6

I		1
---	---	---

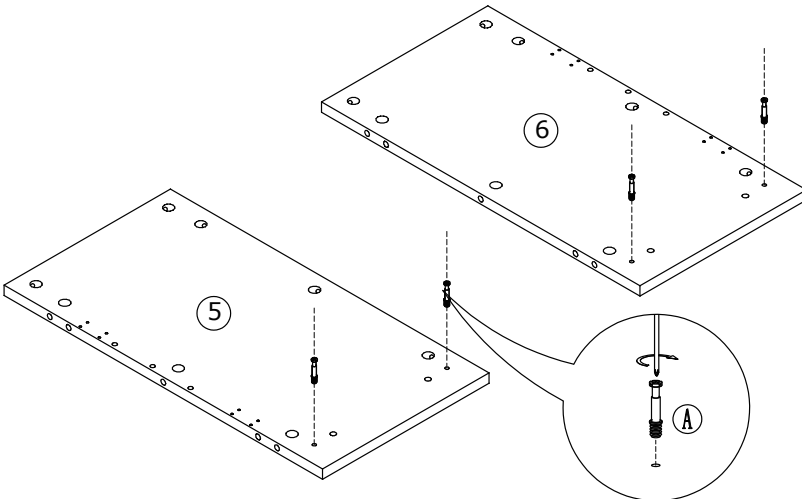



### Step 7




B		4
C		4

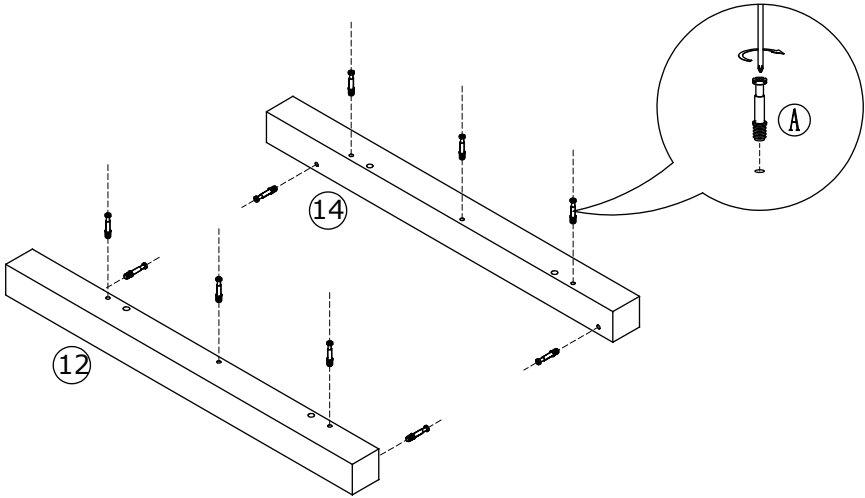
### Step 8




A		4
---	---	---

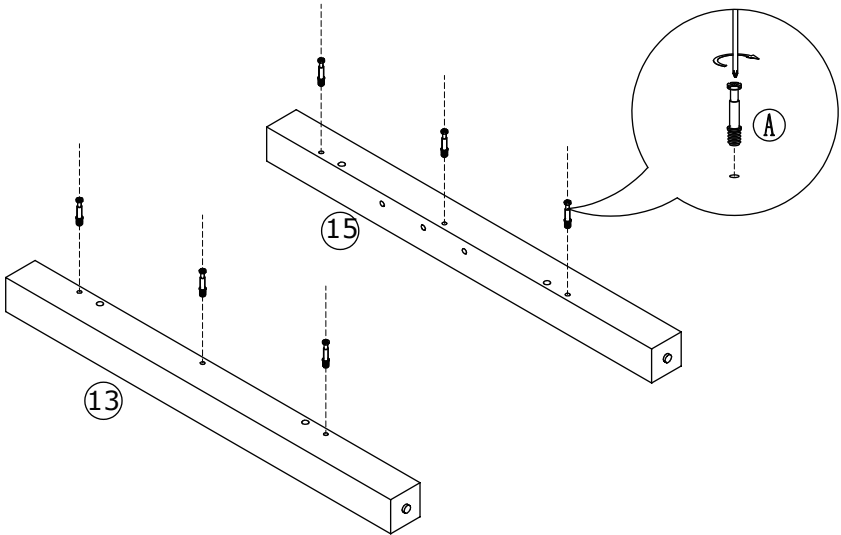
# Step 9

A		10
---	---	----

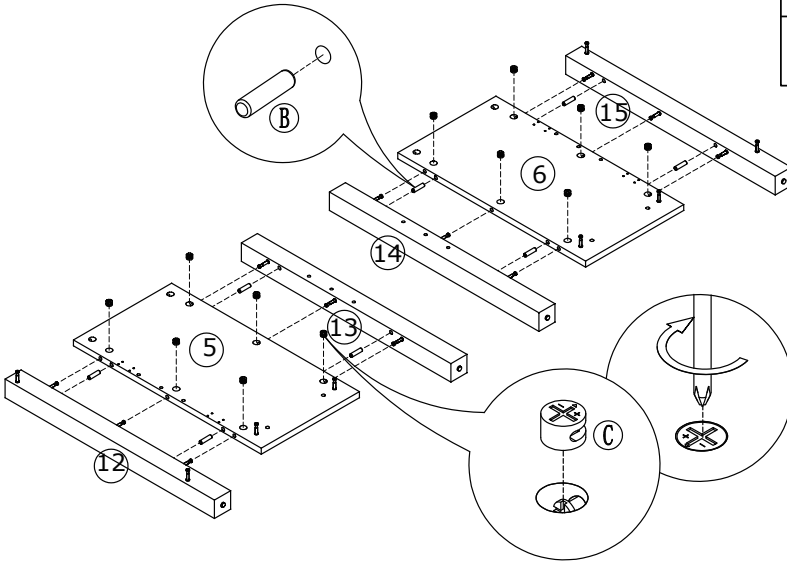




# Step 10

A		6
---	---	---

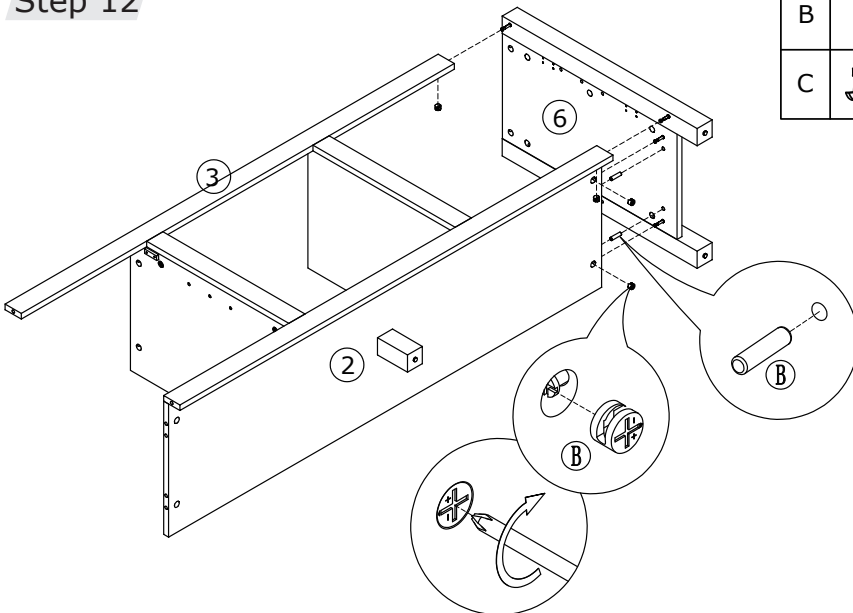




## Step 11





B		8
C		12

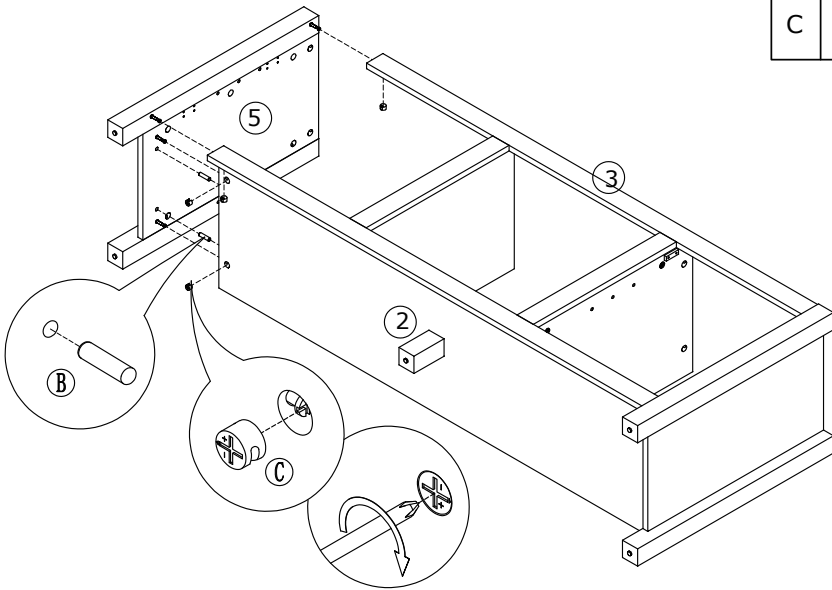
## Step 12




B		2
C		4

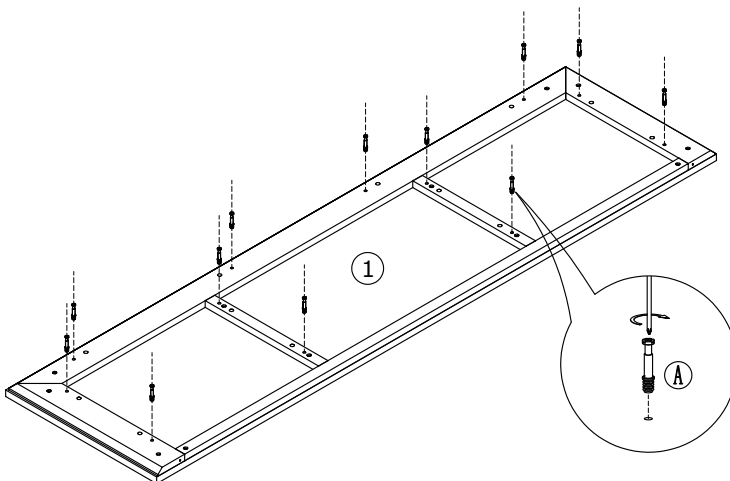
### Step 13

B		2
C		4

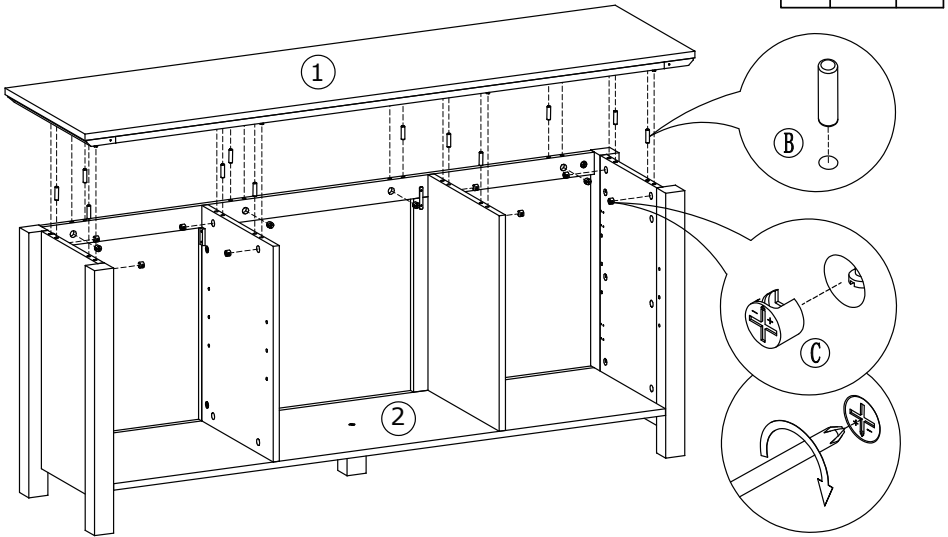


### Step 14

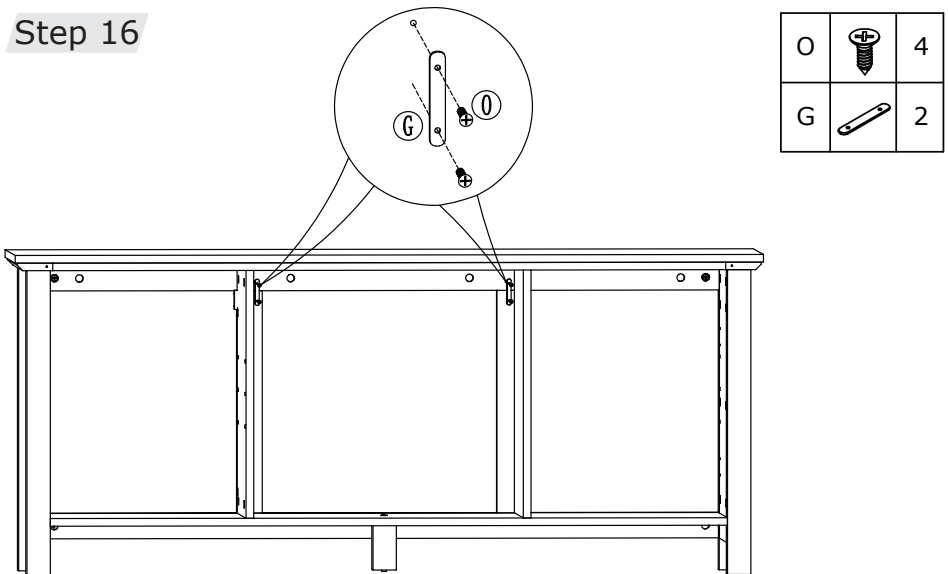
A		12
---	---	----





## Step 15

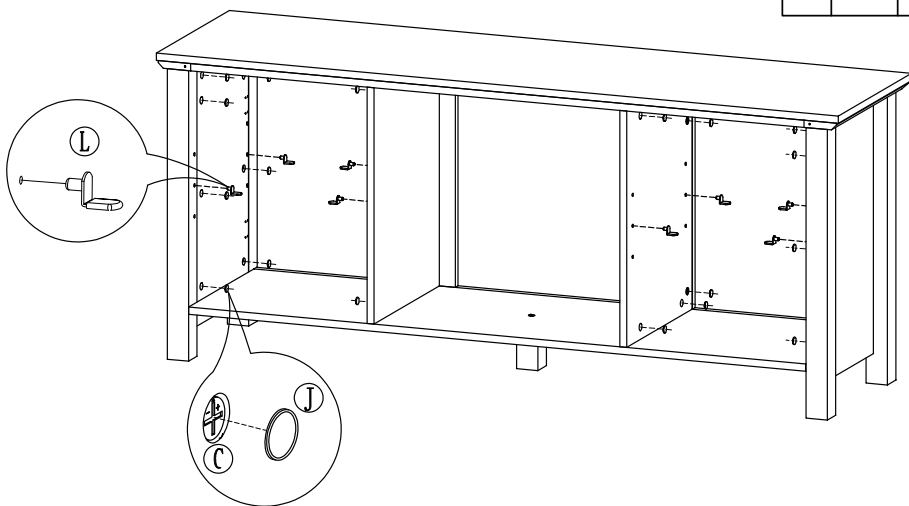


## Step 16



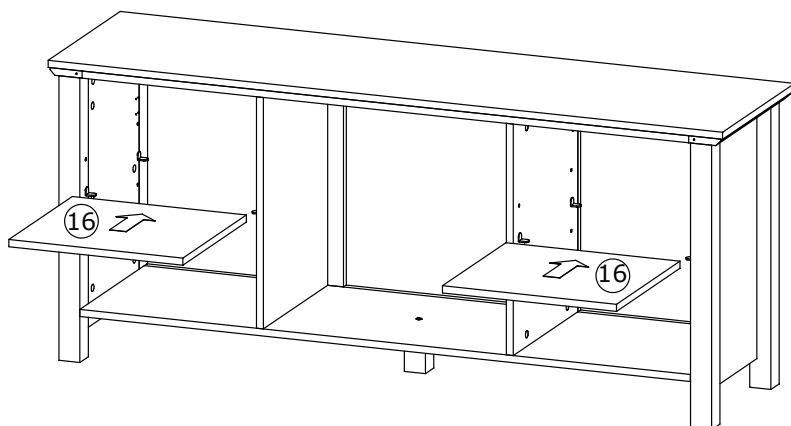
## Step 17

L		8
J		34




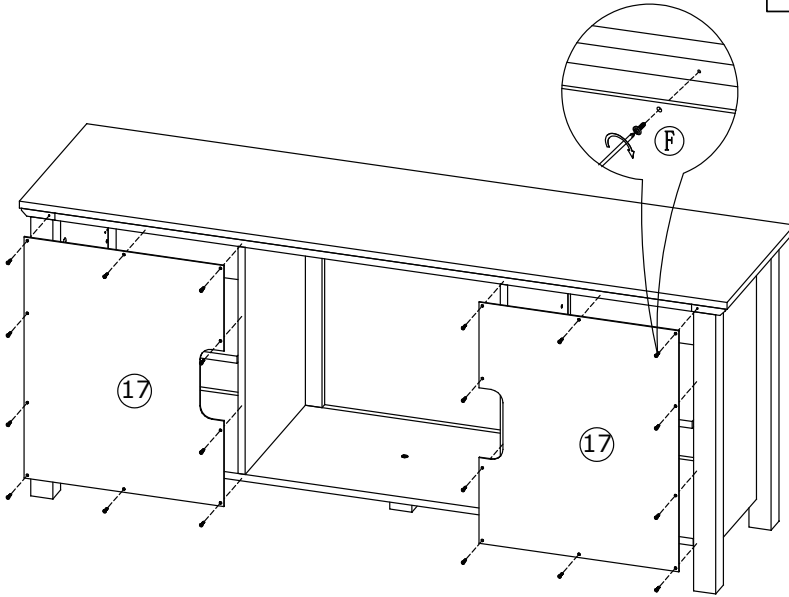
Each cam bolt (C) is equipped with a cover (J).

## Step 18







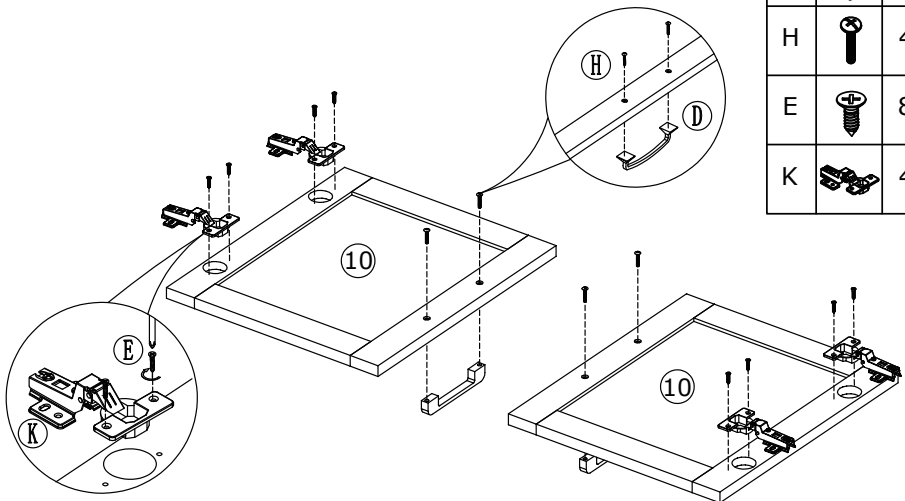
## Step 19

F		20
---	---	----




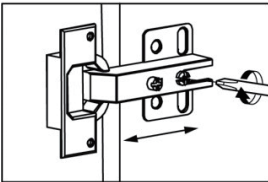
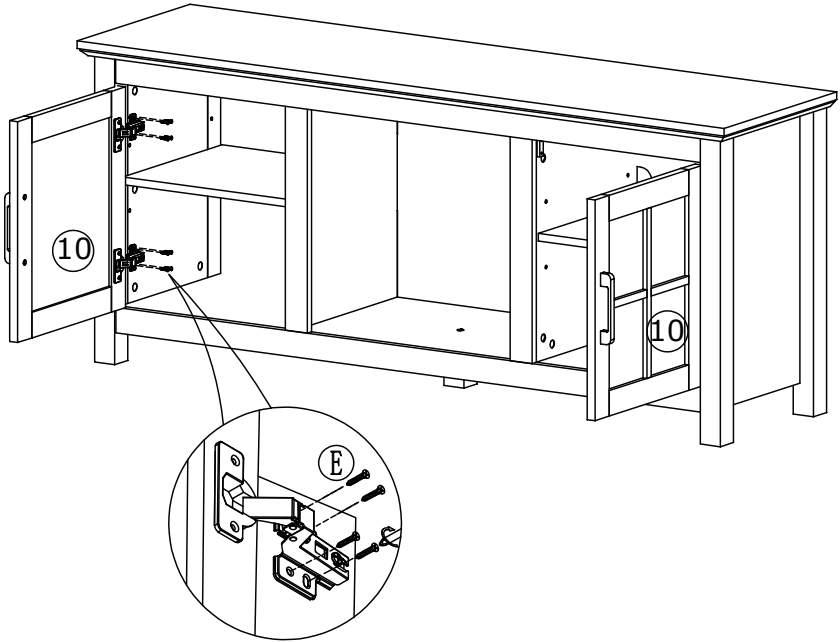
## Step 20

D		2
H		4
E		8
K		4

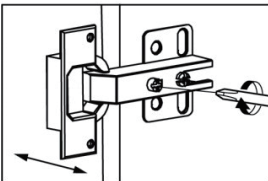


# Step 21

E		16
---	---	----

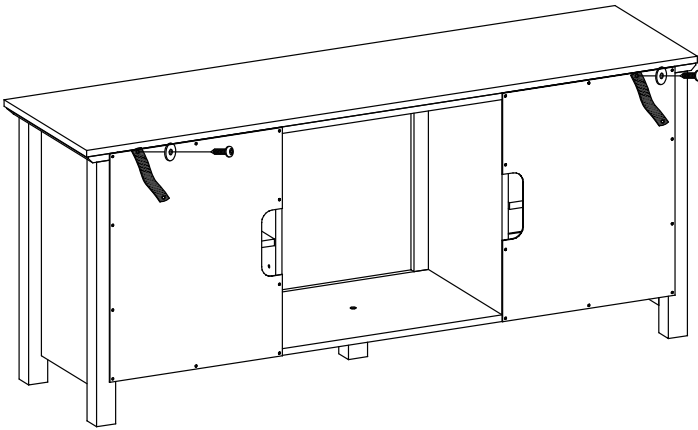


Unscrew here for the Depth adjustment of the door, then retighten.



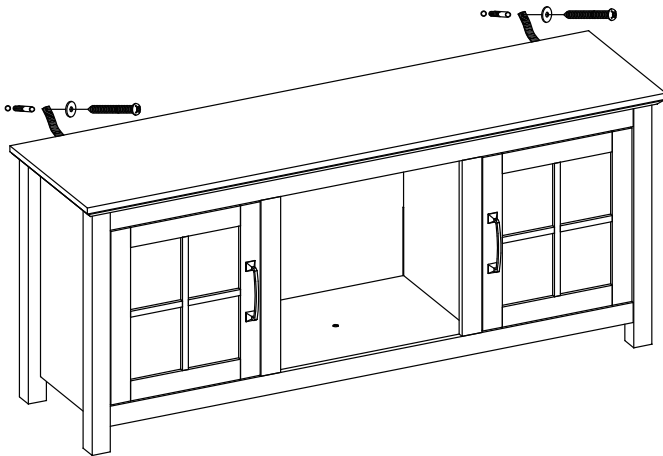
Rotate here for the horizontal adjustment of the door.

## Step 22

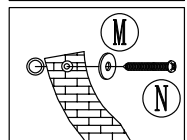
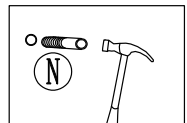
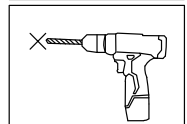
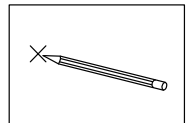


M		2
F		2
M		2


## Step 23

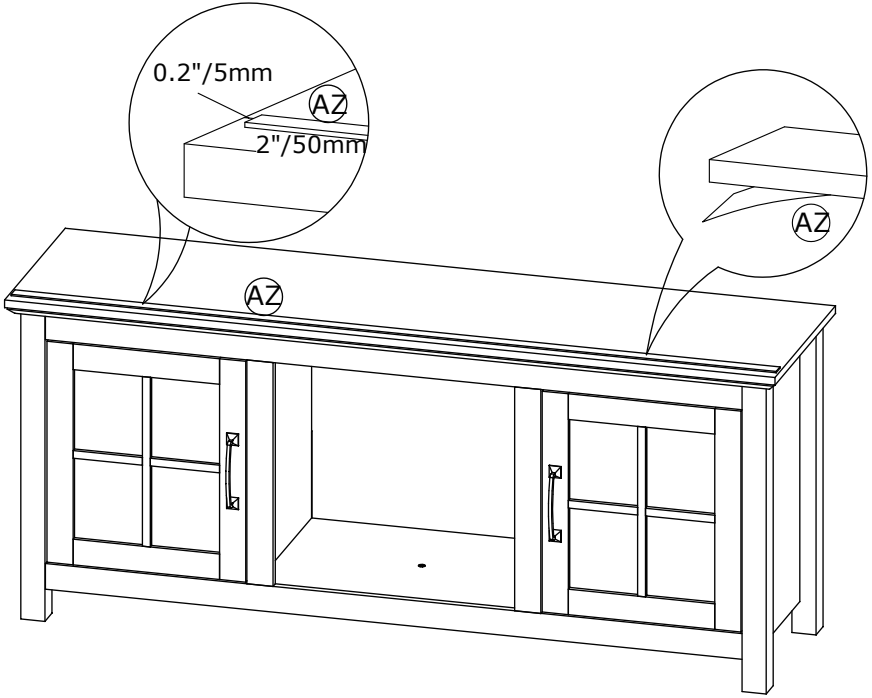


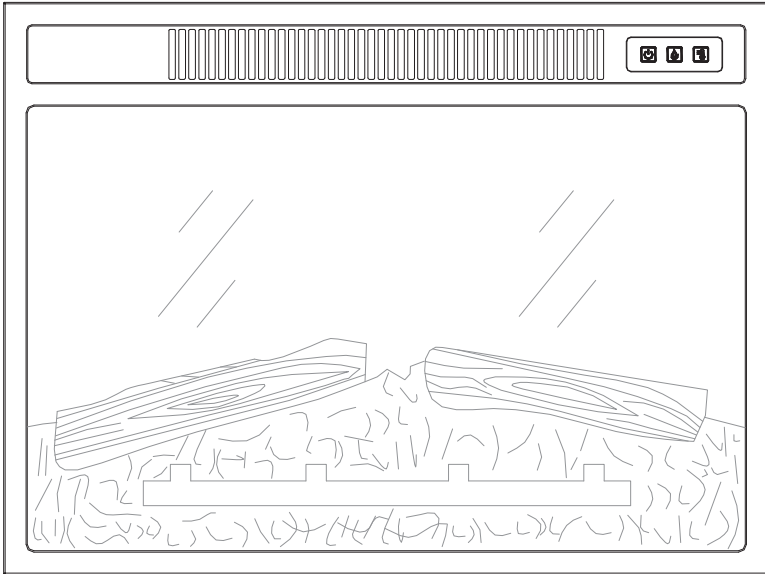
N		2
M		2



Step 24

AZ		1
----	---	---







## **18" Insert Fireplace Heater**


*When using electrical appliances, basic safety precautions should always be followed including the following:*


## **READ ALL INSTRUCTIONS BEFORE USE**


1. Read all instructions before using this heater.
2. Do not use this heater outdoors.
3. This heater is not intended for use in bathrooms, laundry areas and similar indoor locations. Never locate the heater where it may fall into a bathtub or other water container.
4. Do not run the power cord under carpeting. Do not cover the power cord with throw rugs, runners, or the like. Arrange the power cord away from traffic areas and where it will not be tripped over.
5. To disconnect the heater, turn controls to off, then remove the plug from the outlet.
6. Connect to properly grounded outlet only. Always plug heaters directly into a wall outlet/receptacle. Never use with an extension cord or reloadable power tap(outlet/power strip).
7. To prevent possible fires, please do not use fireplace heaters on soft surfaces, such as beds, carpets, which may block the opening.
8. There is a thermostat limiter inside the heater. When the inner temperature overheat or abnormal heating occurs, the thermostat protective device cuts off the power supply to avoid damage to the fireplace or risk of fire.
9. Use the heater only as described in the manual. Any other use not recommended by the manufacturer may cause fire, electric shock, or injury.


 **WARNING:** There is no user serviceable parts inside fireplace/heater. If the unit appears to malfunction, turn the unit off and unplug from the wall immediately and contact Customer Service.


 **WARNING:** This heater is hot when in use. To avoid burns, do not let bare skin touch hot surfaces. If provided, use handles when moving the heater. Keep combustible material, such as furniture, pillows, bedding, papers, clothes, and curtains at least 3ft (0.9m) from the front of the heater and keep them away from the side or rear.

 **WARNING:** Extreme caution is necessary when any heater is used by or near children or invalids and whenever the heater is left operating and unattended.

 **WARNING:** Always unplug the heater when not in use.

 **WARNING:** Do not operate any heater with a damaged cord or plug or after the heater malfunctions, has been dropped, or damaged in any manner. Return the heater to an authorized service facility for examination, electrical or mechanical adjustment, or repair.

 **WARNING:** Do not insert or allow foreign objects to enter any ventilation or exhaust openings as this may cause an electric shock or fire, or damage to the heater.

 **WARNING:** A heater has hot and arcing or sparking parts inside. Do not use in areas where gasoline, paint, or flammable liquids are used or stored.

**⚠ CAUTION:** While the heater is in use, the top center of the fireplace can get hot to the touch, and may cause serious injury or burns. Always supervise small children around the fireplace/heater. Do not place any cloth or decorations over the heater outlet or fireplace, or otherwise obstruct the heater outlet of the fireplace, as this may cause a fire and serious injury.

## TECHNICAL SPECIFICATION

Dimensions (W x D x H)	18" x 5.04" x 17.1"
Power Rating	1400 W
Voltage	120 V
Frequency	60 Hz

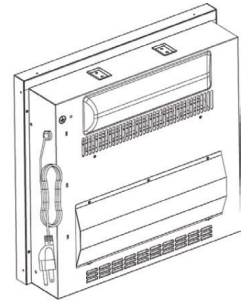
## PACKAGE CONTENT



Top Trim



Side Trim (L/R)



Fireplace Unit



Screw x18



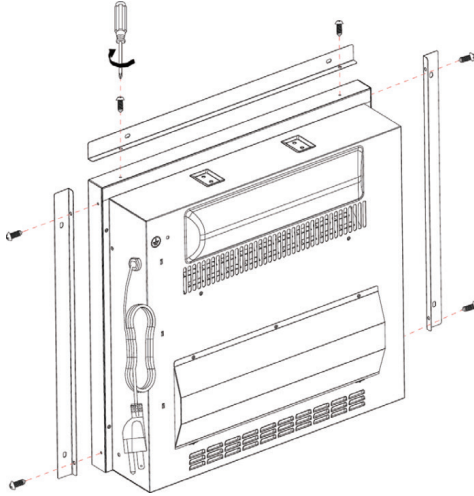
Remote Control

## ASSEMBLY INSTRUCTION



Estimated Time for Assembly

20:00



### STEP 1

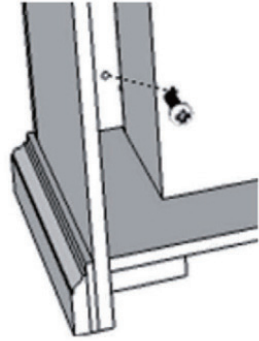
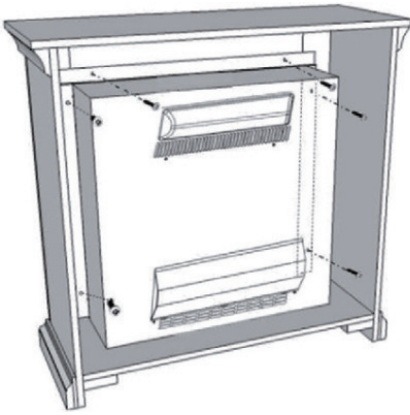
Take out the unit from the box and layout all the spare parts for easy assembly. Make sure all small items are not left in packaging materials.

### CAUTION

- This unit has a glass front panel. Use extreme caution when handling glass to prevent personal injury or damage.

### STEP 2

Attach the top trim to the top of the unit and secure it by tightening 2 screws. Make sure the right angle side faces toward the front of the unit. Align and attach two side trims to the sides of the fireplace unit. Identify the right and the left and make sure the right angle side is facing the front of the unit.



### **STEP 3**

Carefully set the unit from the back of the mantel and center it in the opening.

Check the alignment and attach the unit of the mantel by inserting screws through the drilled holes on the trim of the mantel.

**NOTE:** Do not attempt to install the unit from the front of the mantel. It will not fit.

## **USER INSTRUCTION**

### **Before use**

Check that the air intake and exhaust is not covered or obstructed in anyway.

Keep combustible objects at least 3ft away from the unit.

Plug the unit to a grounded power socket.

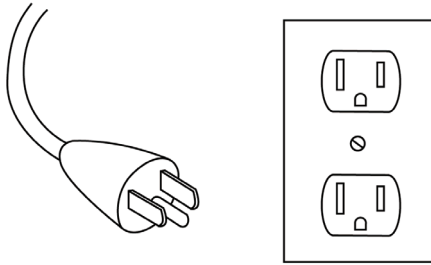
### **Grounding**

This product must be grounded. If it should malfunction or breakdown, grounding provides a path of least resistance for electric current to reduce the risk of electric shock.

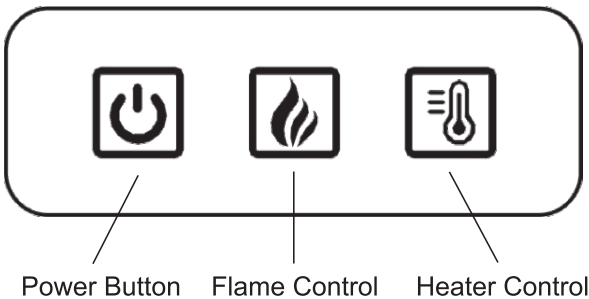
This unit comes standard with a 6ft (1.8m) long, three wired cord. Always plug the unit into a wall outlet. An extension or relocate tab should never be used.

## CAUTION / WARNING

- Improper connection of the equipment grounding conductor can result in a risk of electric shock. Check with a qualified electrician or serviceman if you are in doubt as to whether the product is properly grounded.
- DO NOT modify the plug provided with the product nor using any bypass device if the plug does not fit the outlet. Have a proper outlet installed by a qualified electrician.



## USER INSTRUCTION (CONTROL PANEL)



## Control Panel

The control panel is located on the top right corner of the unit.

### Power ON / OFF

Press the power button to turn on the unit. Press again to turn off the unit.

NOTE: NOTE: There is a thermostat limiter inside the unit. When the inner temperature is too hot, the unit will automatically turn off to avoid damage to the product or risk of fire.

## CAUTION / WARNING

- DO NOT unplug the unit when it is still "ON".

### Flame Control

Press the flame control button to rotate and set flame effect levels. The flame setting are as follows.

Button Press	Flame Level	Fireplace Appearance
1st Press	Low	Low flame, logs glow
2nd Press	Medium	Medium flame, logs glow
3rd Press	High	High flame, logs glow
4th Press	OFF	OFF

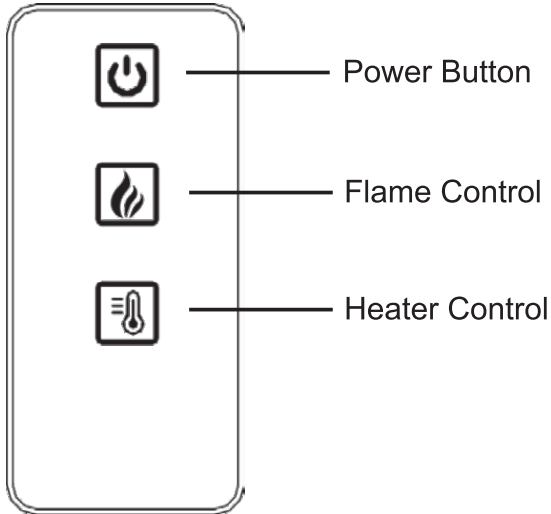
NOTE: When the heater is turned on, the flame effect level can only rotate and set between High, Medium, and Low.

### Heater Control

Press the heater control to turn on and off the heater.

NOTE: Turning on the heater will automatically turn on the flame control to the highest mode.

## USER INSTRUCTION (REMOTE CONTROL)



### Remote Control

The operation of the remote control buttons work the same as the button on the control panel.

The remote control has an effective range up to 13 ft.

### Install / Replace Battery

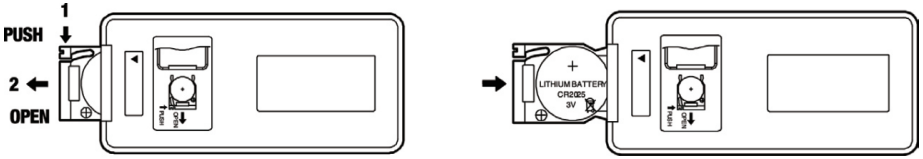
The remote control is provided with a CR2025 battery. Remove the plastic insulating sheet before using.

To replace or remove old battery, push in the clip and pull the battery bracket out simultaneously.

Insert a new battery with the button side into the seated.

To replace the bracket, simply push it into the remote control. Make sure the bracket snaps into position.

NOTE: Remove battery from remote control if not use for an extended period of time.



### **⚠ CAUTION / WARNING**

- Dispose old / used battery at a suitable recycling point or according to local regulations.
- DO NOT ingest battery. If accidentally swallowed, seek for medical help immediately.

## **CARE AND MAINTENANCE**

### **Cleaning the unit:**

Always turn off and unplug the unit from power outlet before cleaning. Allow the unit to cool down completely before performing any maintenance or cleaning.

Use a vacuum cleaner or duster to regularly remove any accumulated dust on the unit

Use a damp soft cloth to clean the surface and buff with a dry cloth.

Do not use abrasive cleansers, liquid sprays or any cleaner that could scratch the surface.

## TROUBLE SHOOTING

<b>Problem</b>	<b>Solution</b>
The unit does not turn on	Make sure the unit is plugged into a standard 120V grounded power source. Press the power button on the control panel.
Flame effect is on, but there is no flame effect	Open the top and back panel to check if the flame spindle has fallen off from the spindle motor.
The heater does not blow warm air	Make sure the set temperature is higher than the room temperature.
The heater does not work	Turn all switches to OFF and unplug the unit for 5 minutes. Plug the unit back to power and operate as normal.
Error Code 88 shown on the indicator	Reset the unit by unplugging the unit from power source for 5 minutes and then plug it back.
Remote control does not work	Use it closer to the unit / change battery / remove insulating plastic sheet.