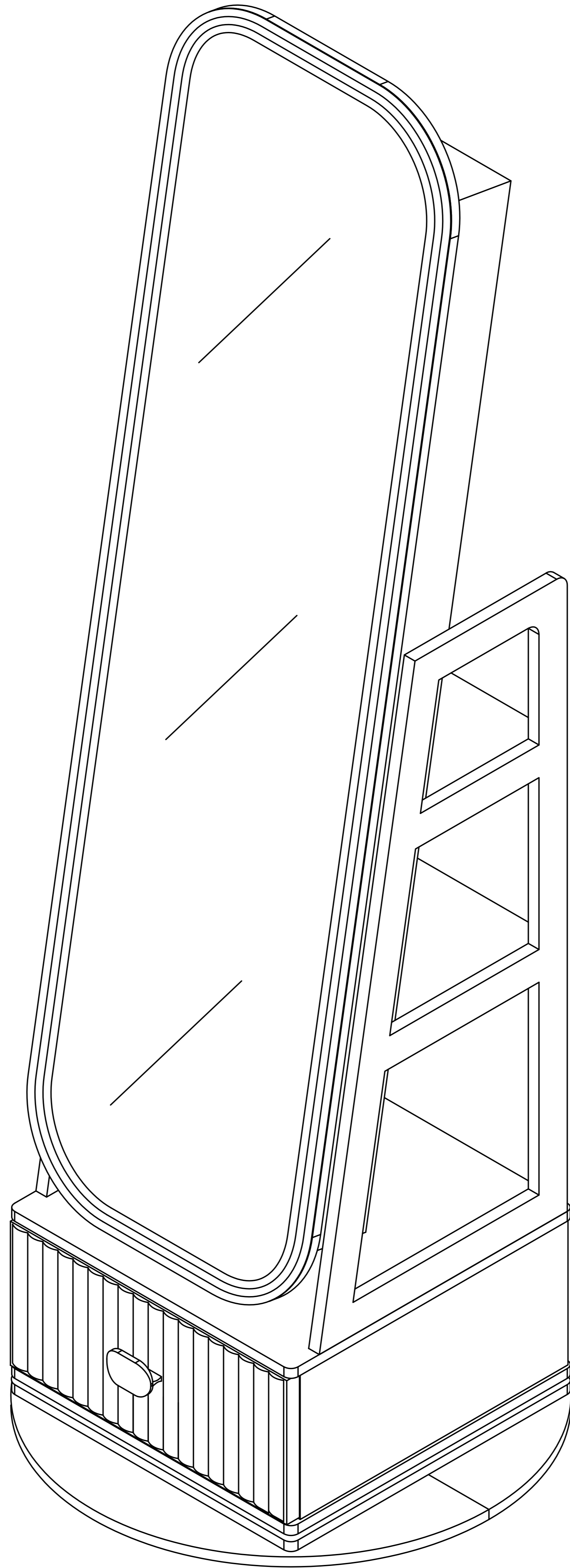
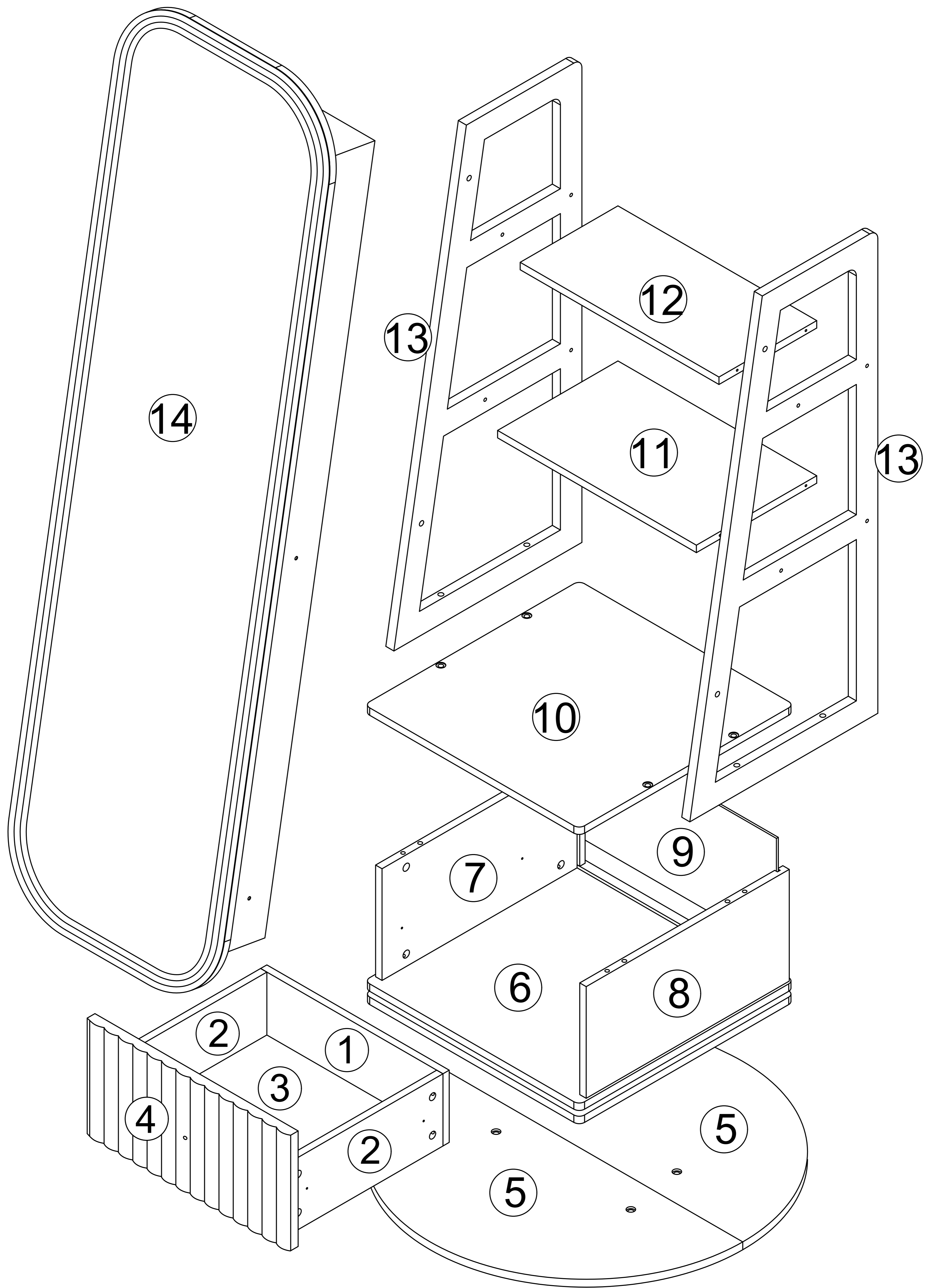
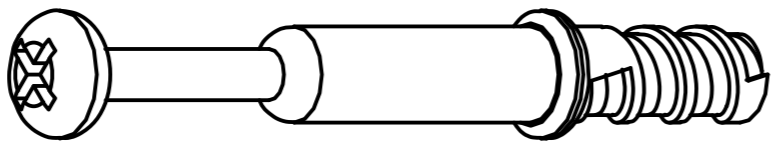
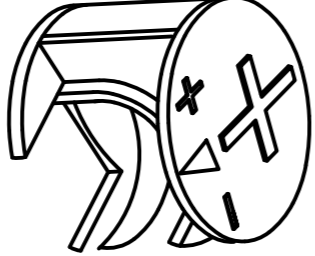

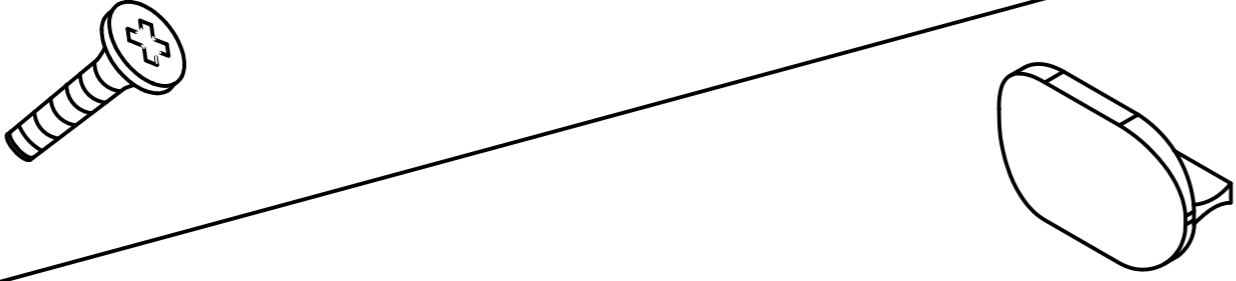
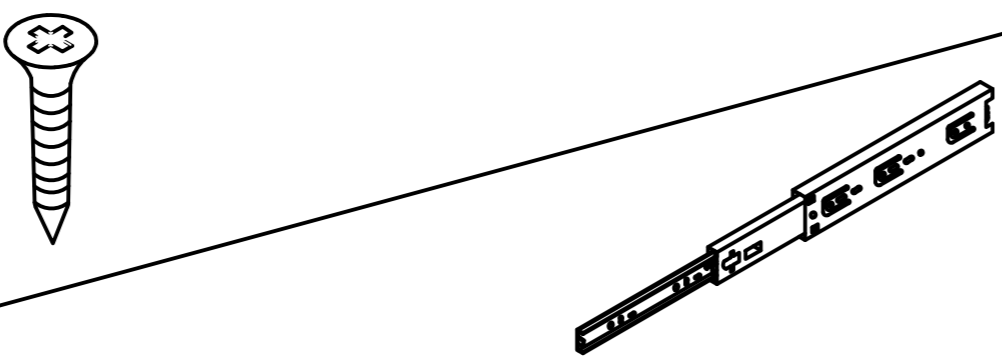
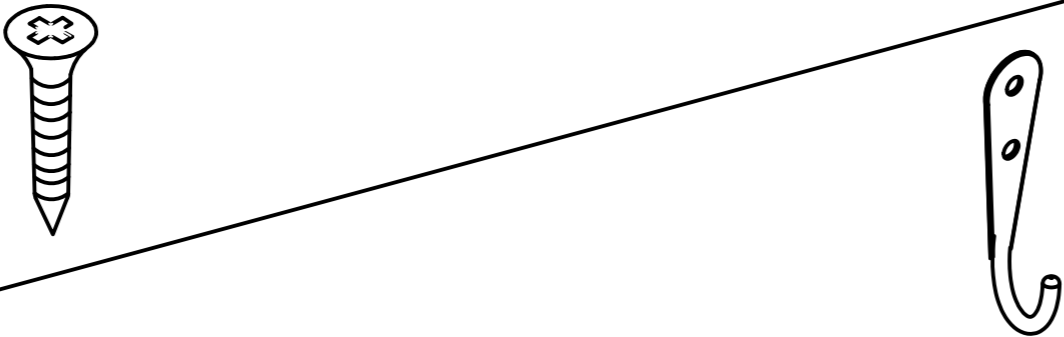
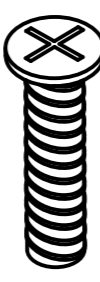
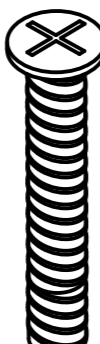
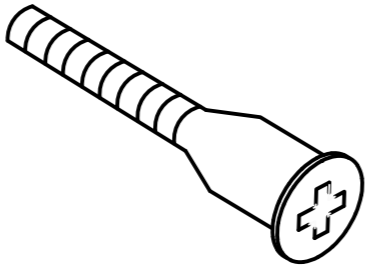
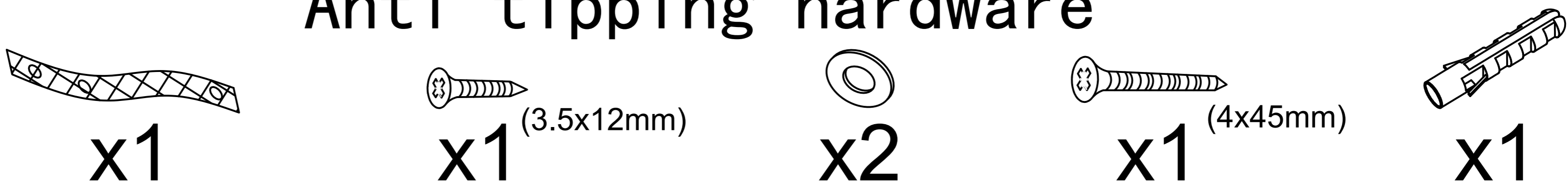
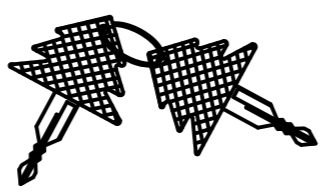

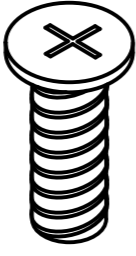


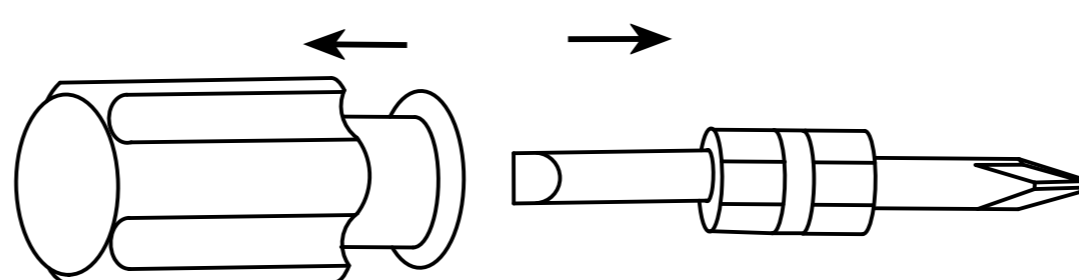
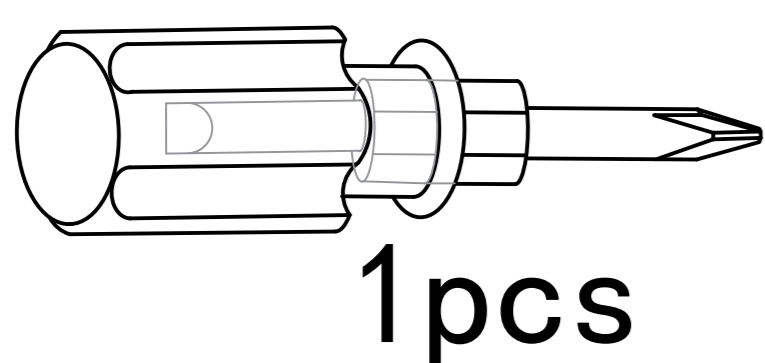
MIRROR JEWELLERY CABINET





Accessories list

A		Two In One Screw (6x28mm)	16pcs +2pcs
B		Two In One Nut (10x12mm)	16pcs +2pcs
C		Wood Chipping (6x30mm)	8pcs +2pcs
D		Screw & Handle (4x18mm)	1pcs 1pcs
E		Screw & Guide (3x12mm)	10pcs +2pcs 2pcs
F		Screw & Hooks (3x12mm)	4pcs +2pcs 2pcs
G		Screw (6x25mm)	6pcs +1pcs
H		Screw (6x50mm)	4pcs +1pcs
I		Screw (5x40mm)	8pcs +1pcs
J	<p style="text-align: center;">Anti tipping hardware</p>  <p style="text-align: center;"> x1 x1 (3.5x12mm) x2 x1 (4x45mm) x1 </p>		
K		The key	1pcs
L		Non-slip pads (370x6x6mm)	2pcs +1pcs
M		Screw (6x22mm)	4pcs +1pcs

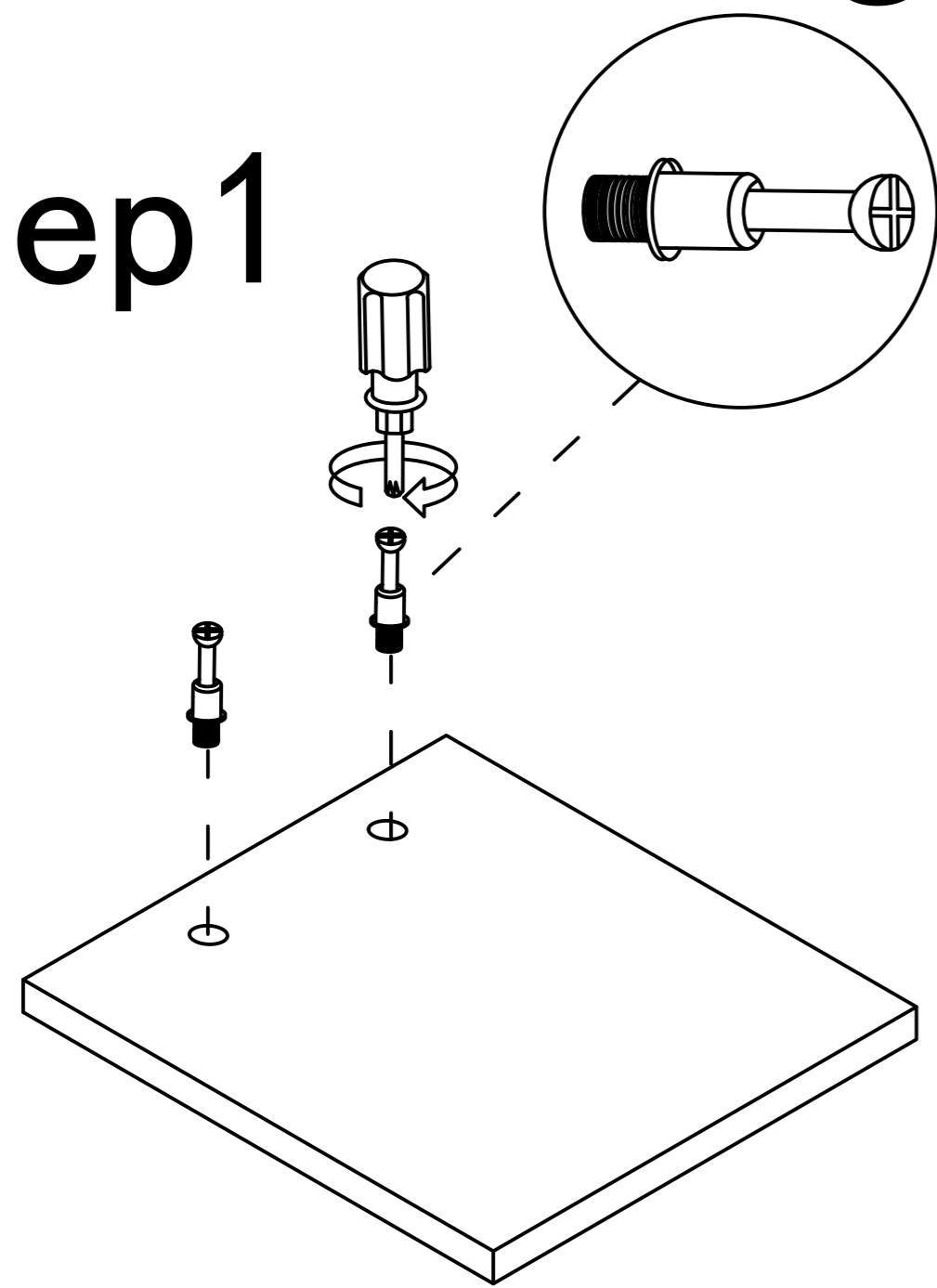


Double-head screwdriver, use as required

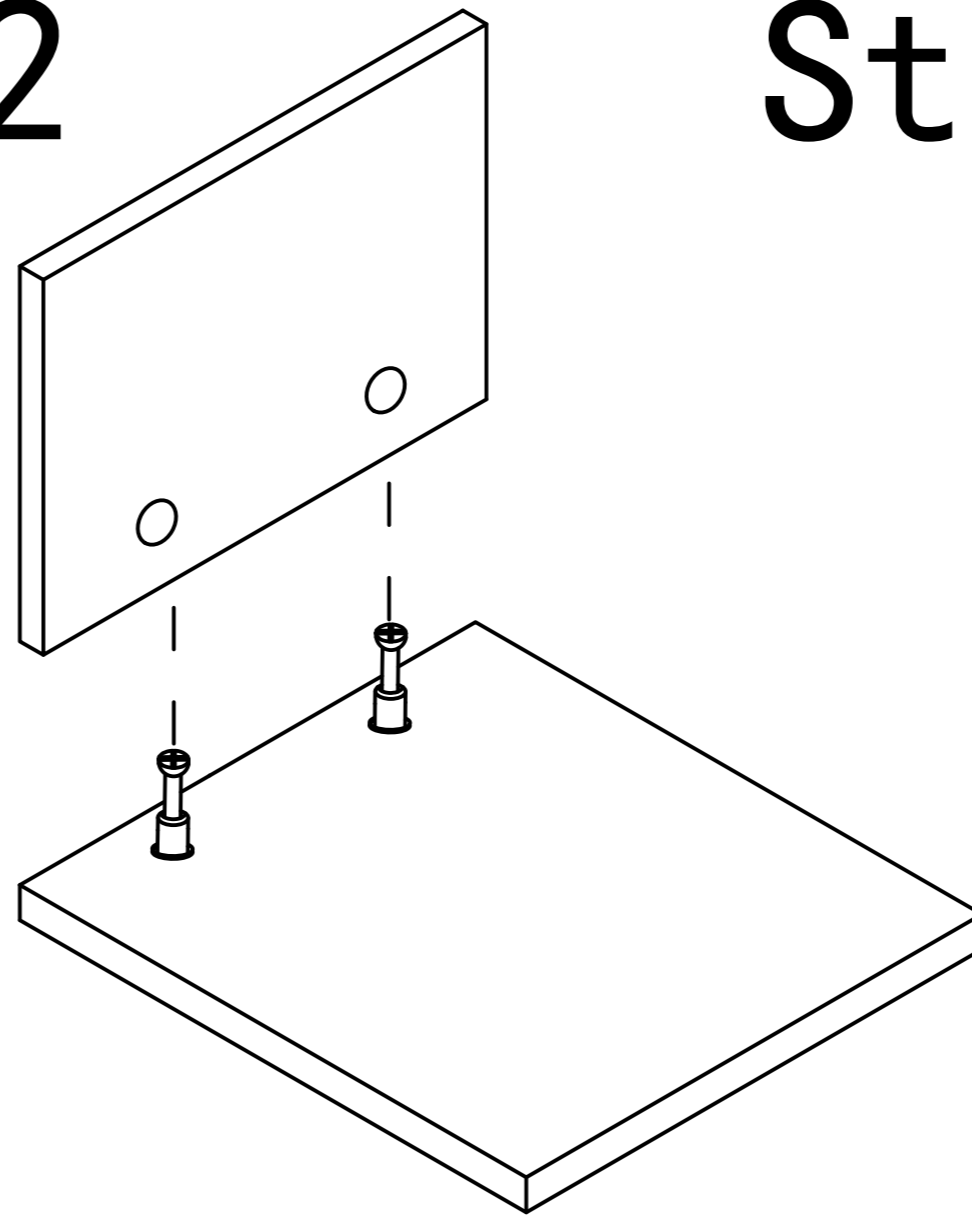


Use parts A and B

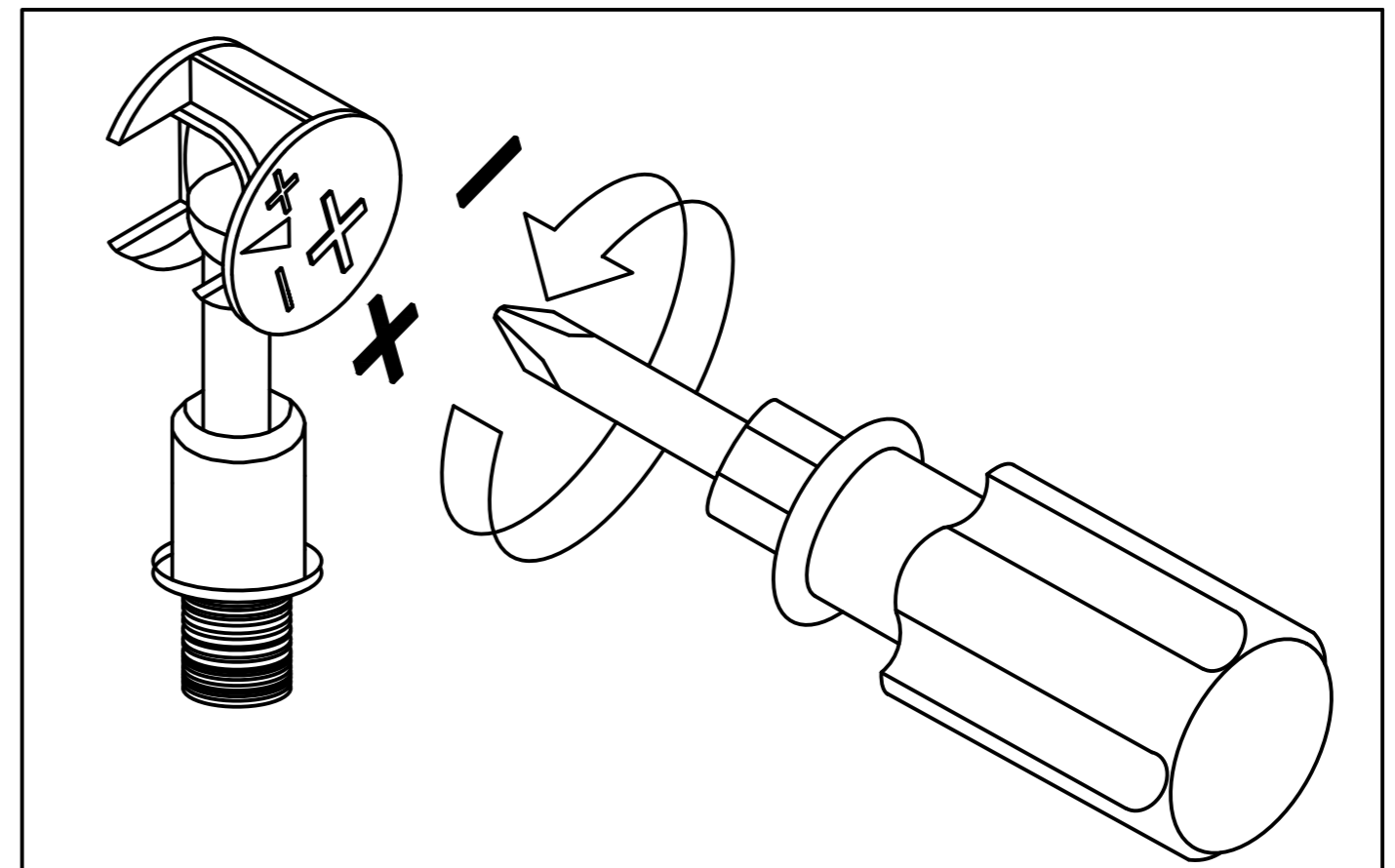
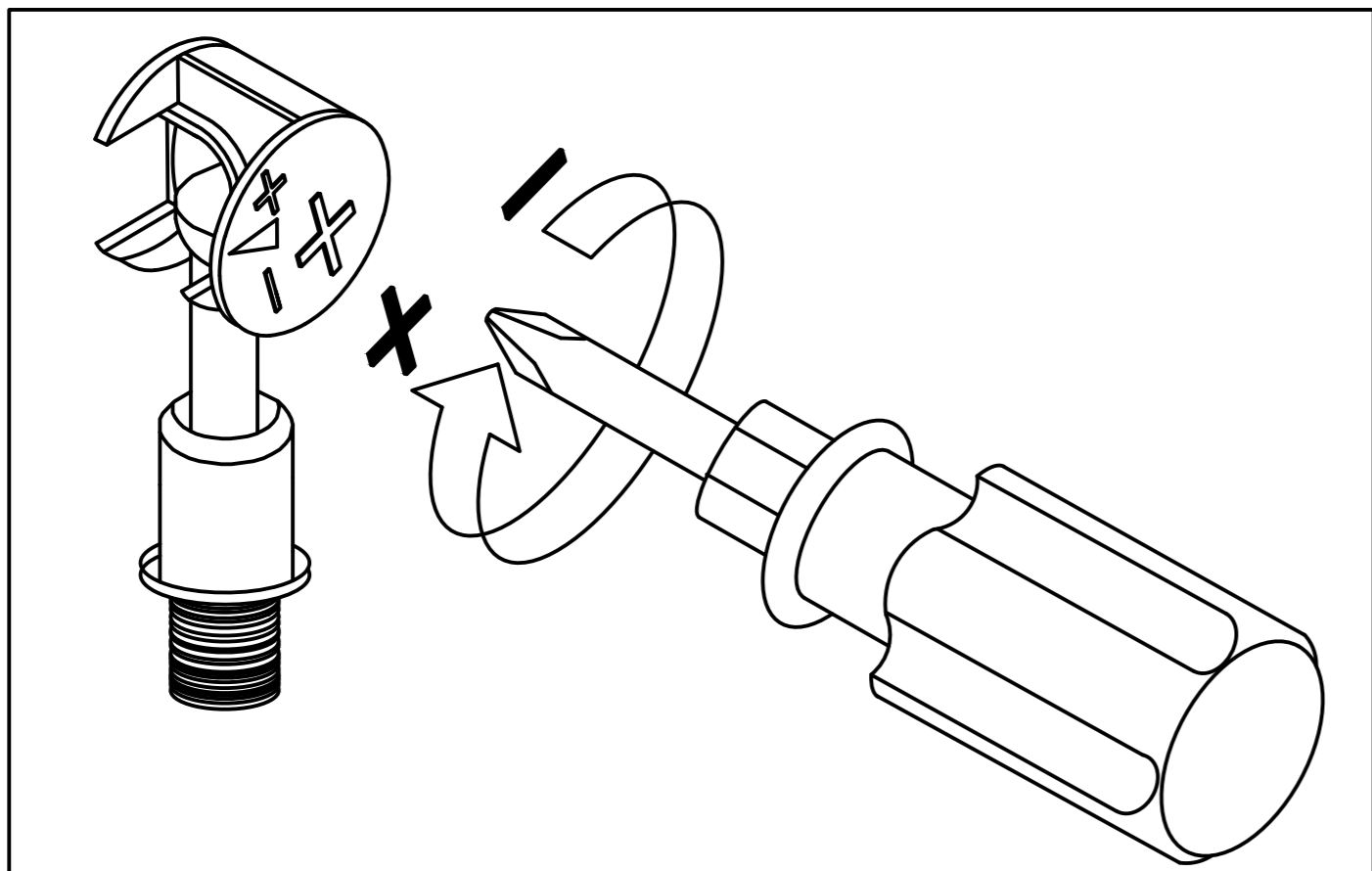
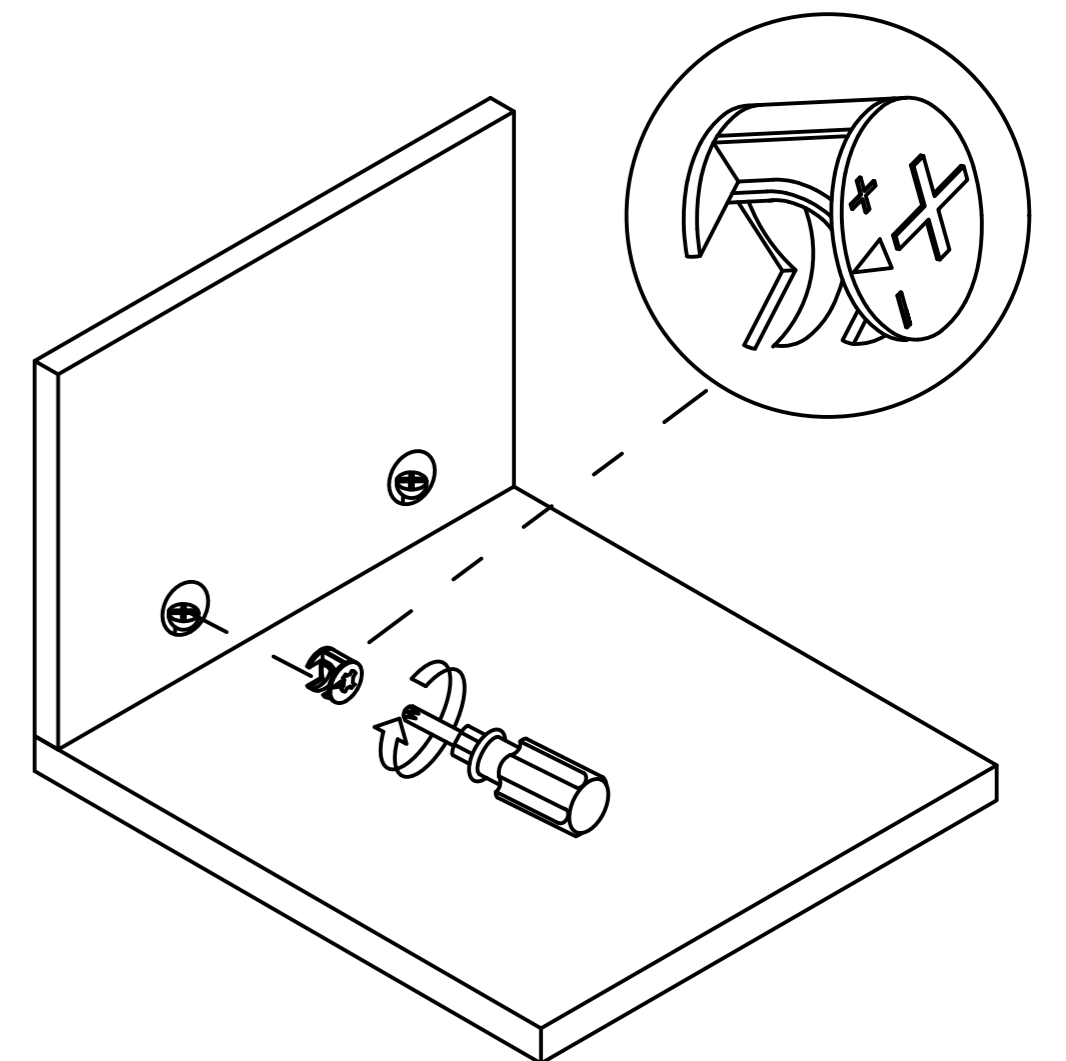
Step 1



Step 2



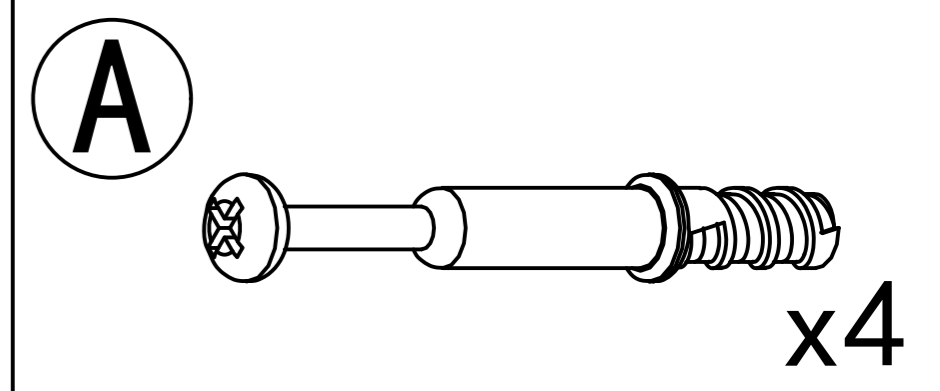
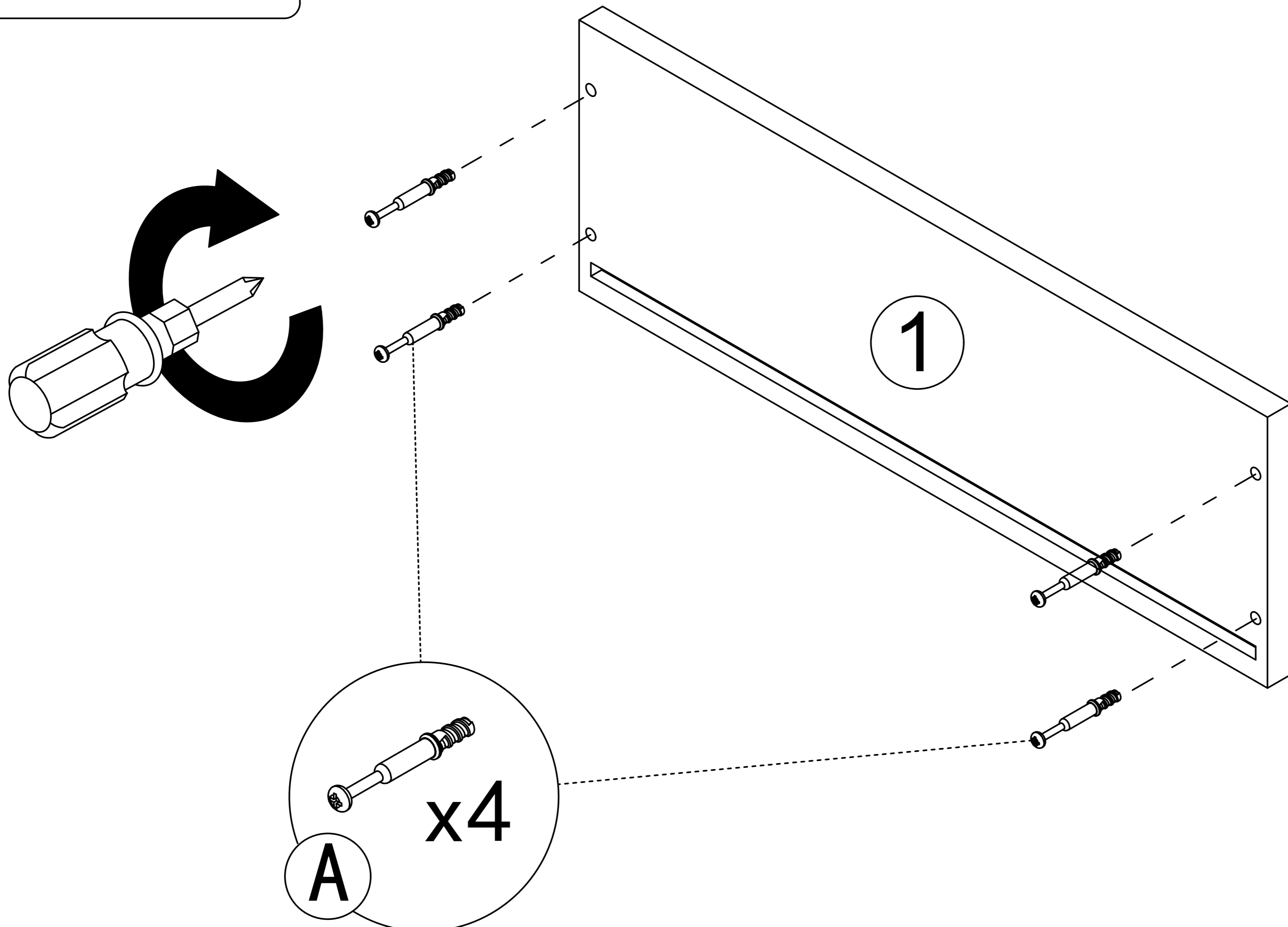
Step 3



Use a screwdriver to lock in the direction of the "+" sign

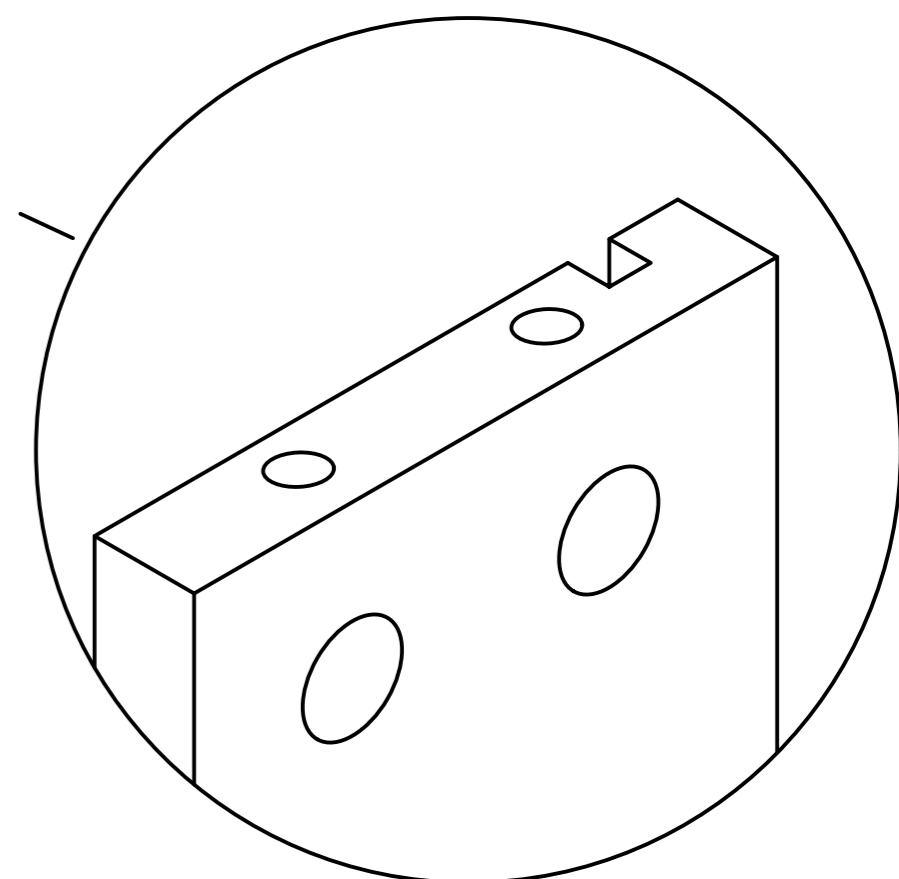
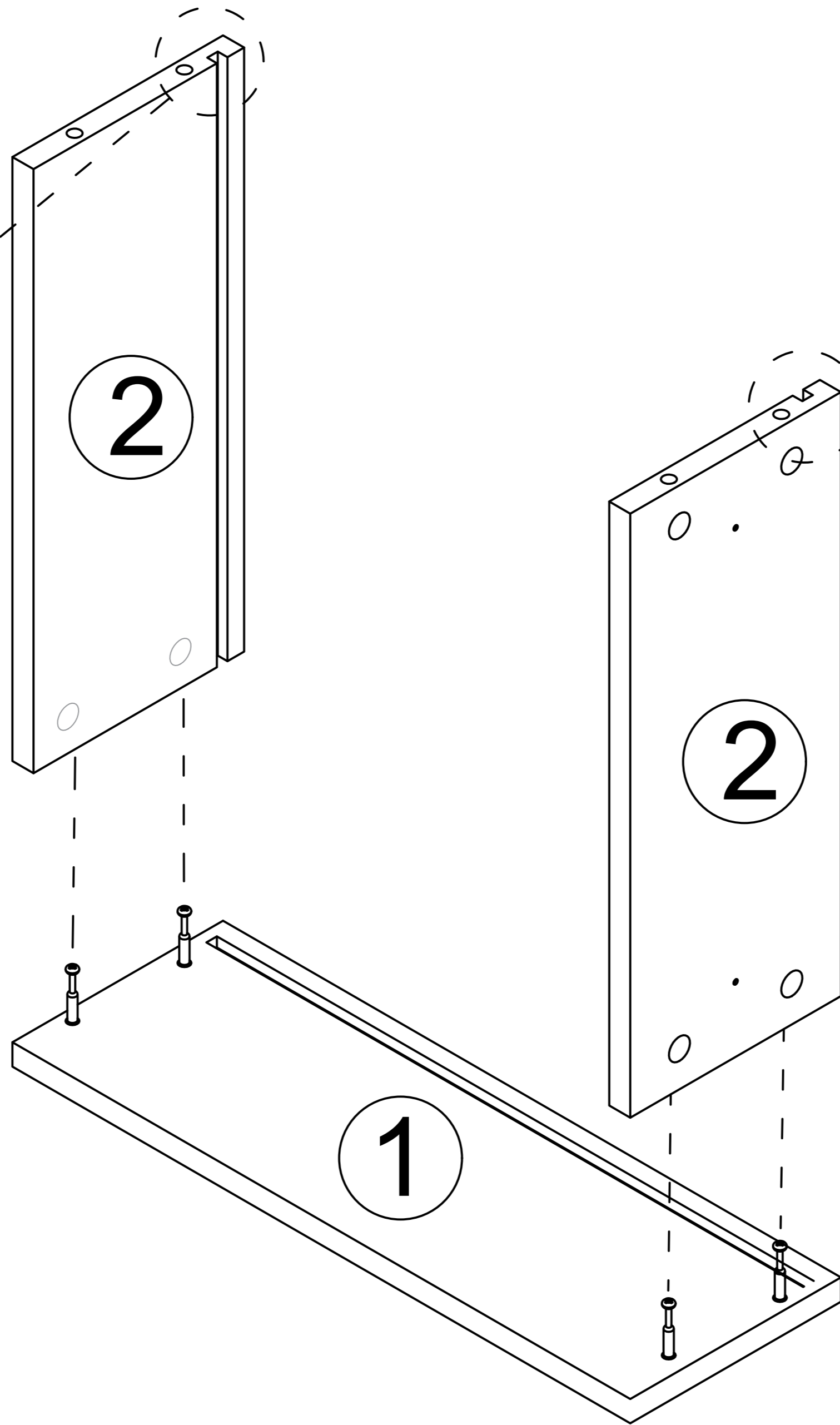
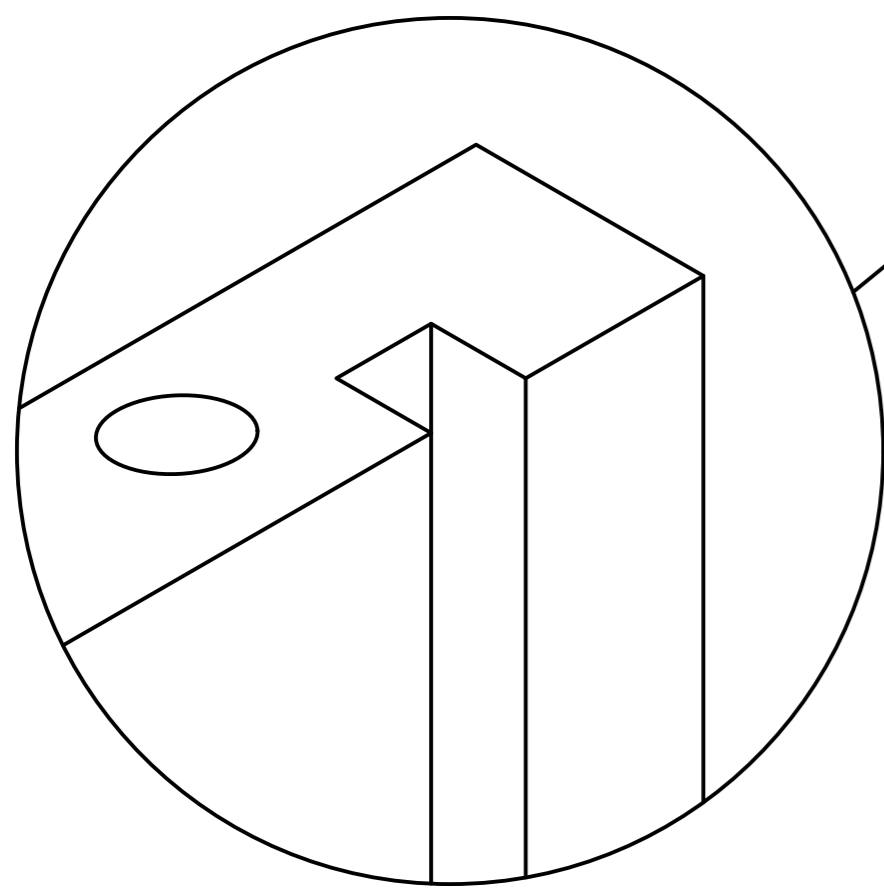
Disassemble along the direction of "-" sign

Step 1

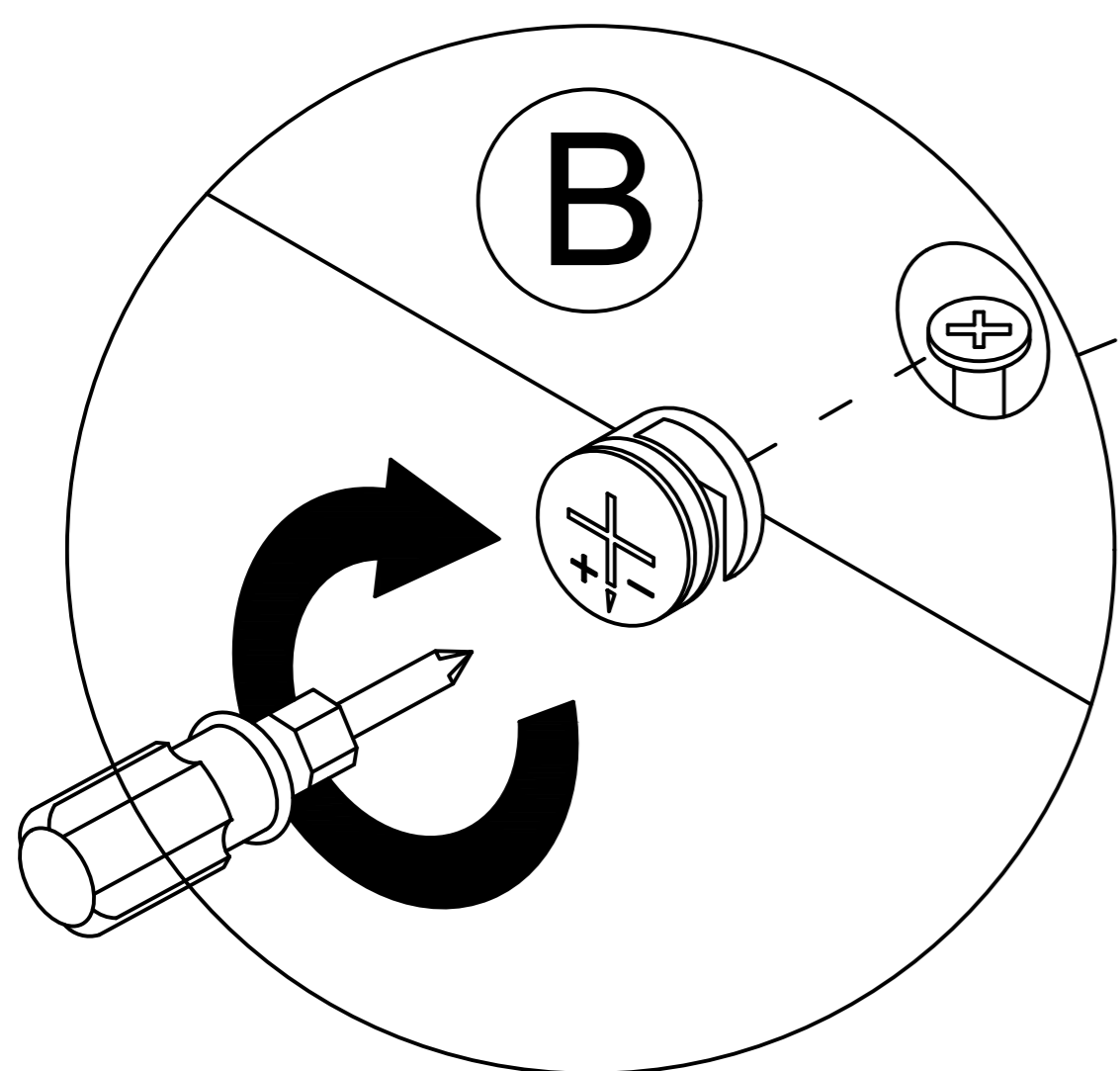
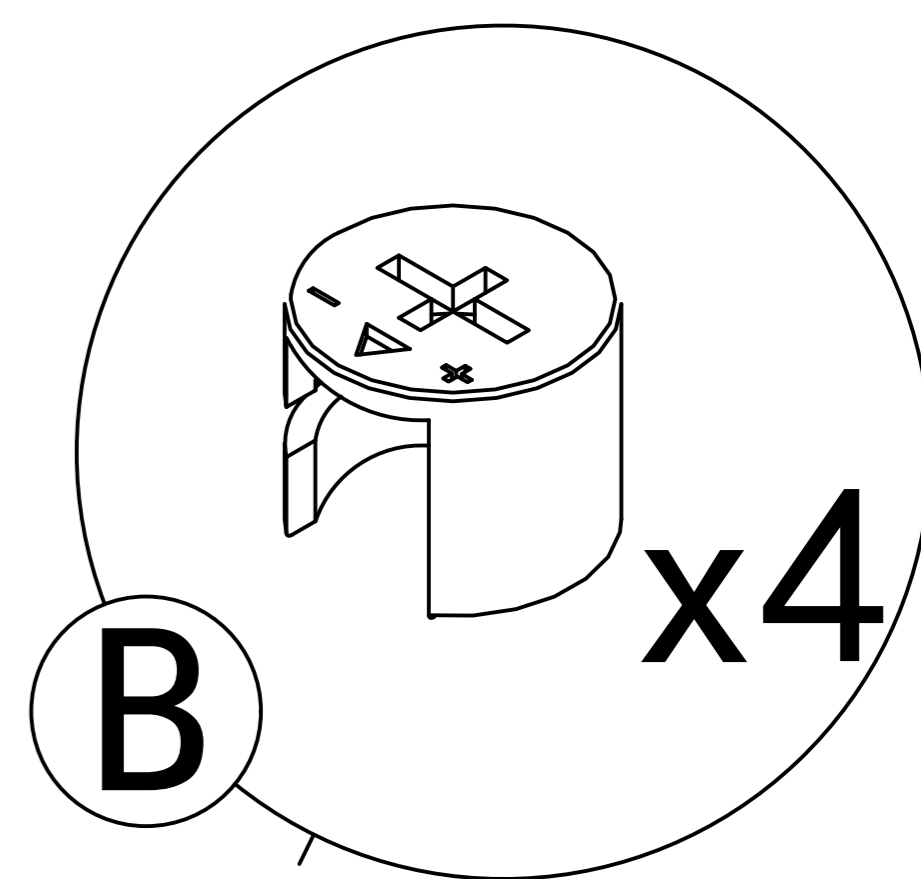
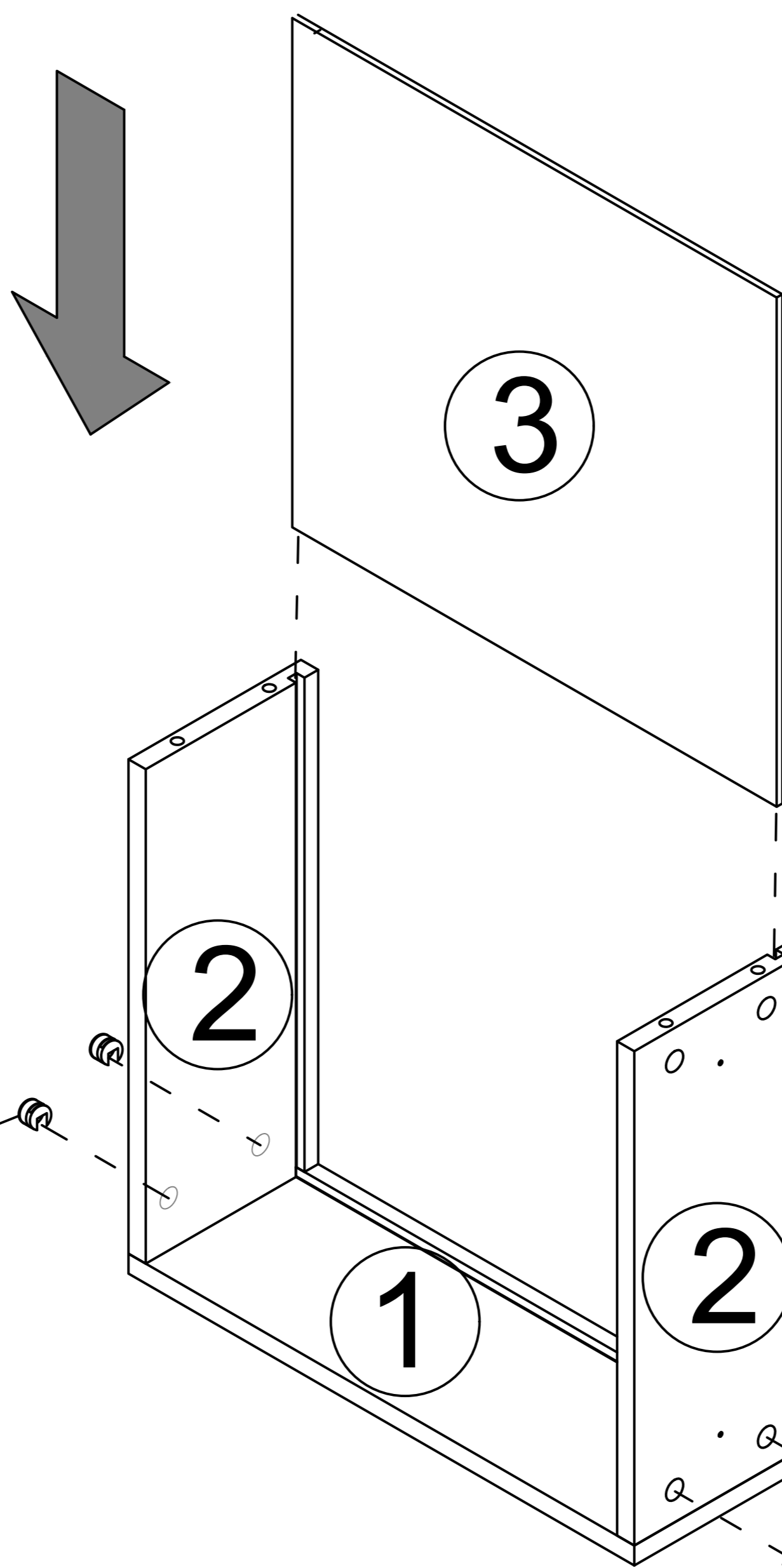
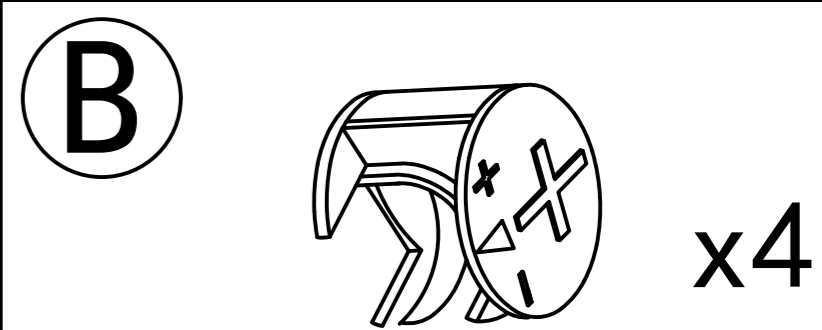


3

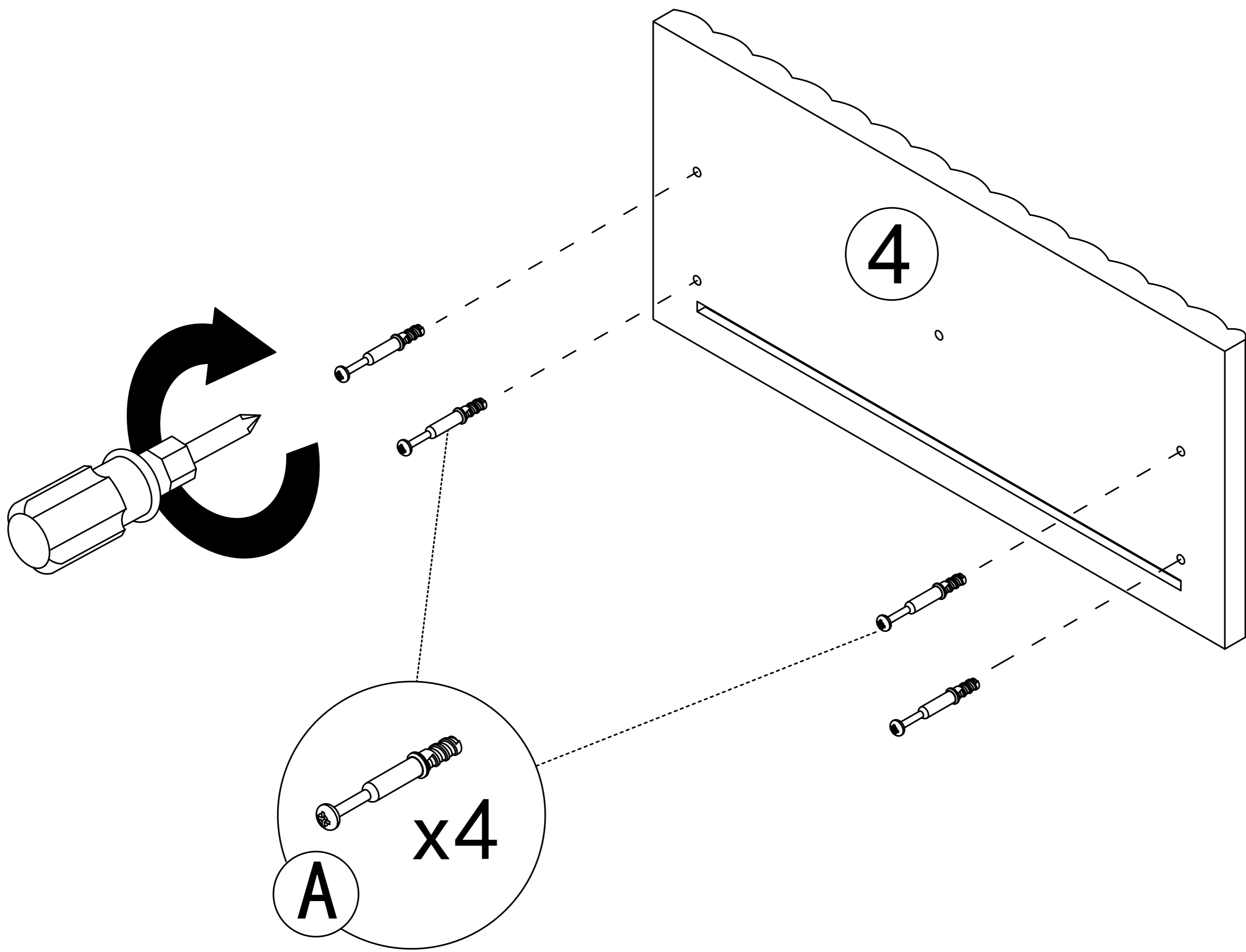
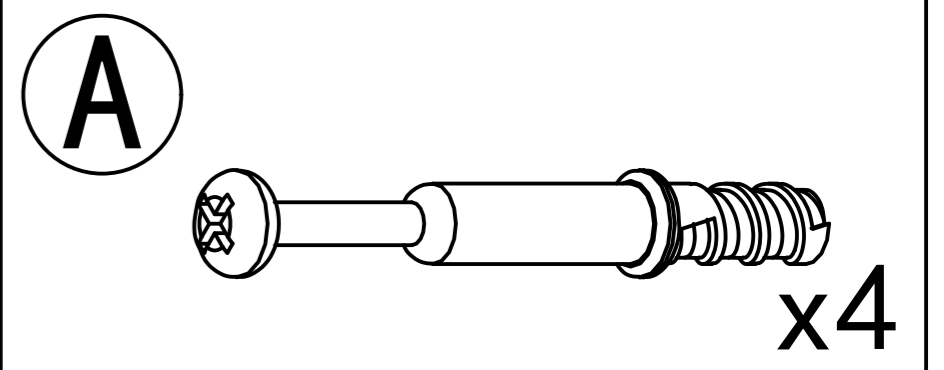
Step 2



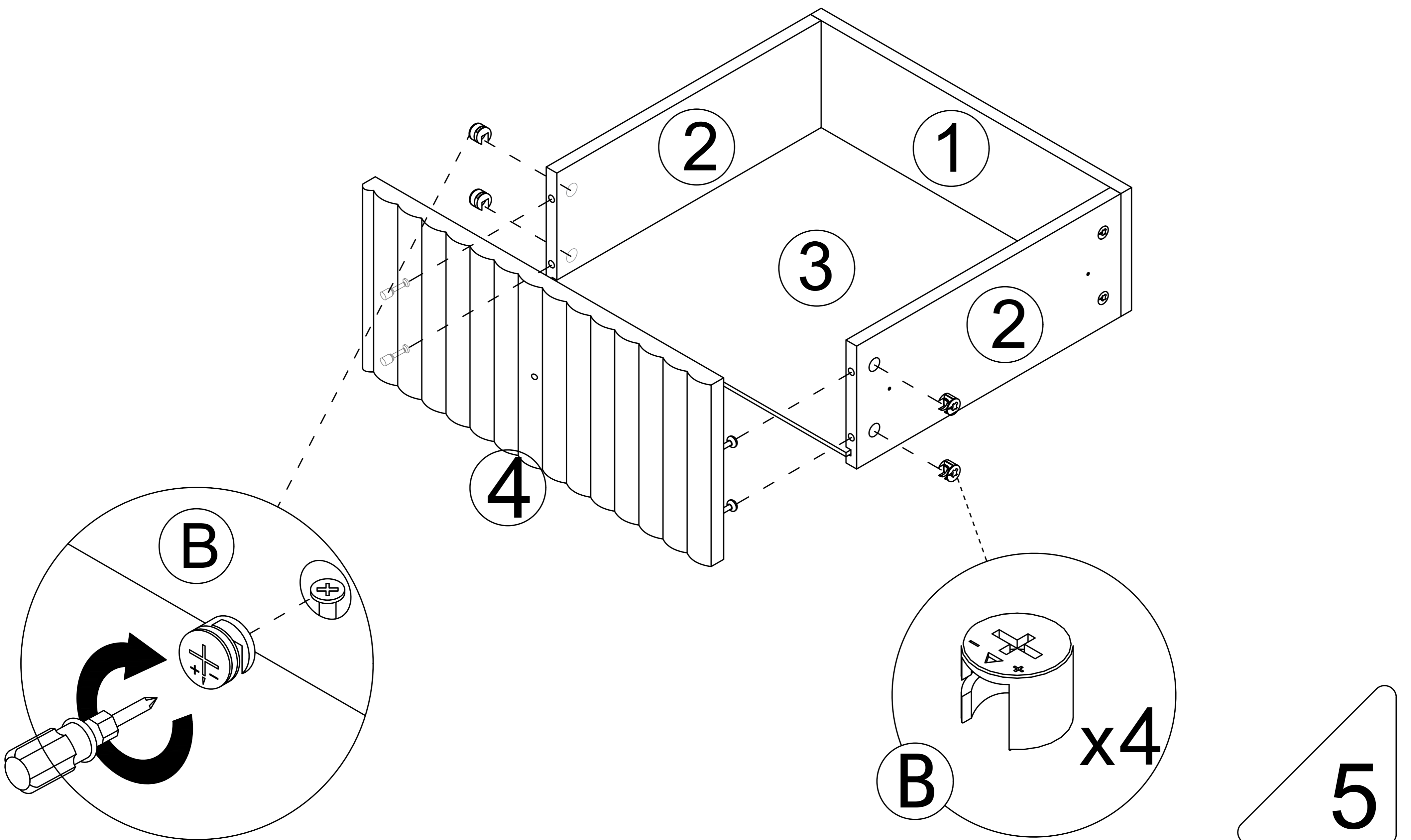
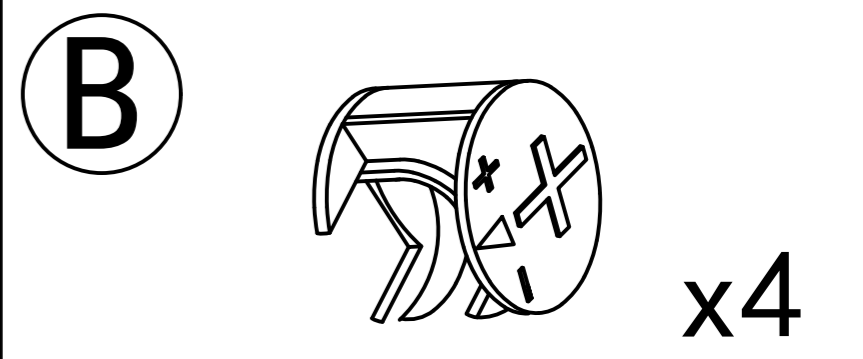
Step 3



Step 4

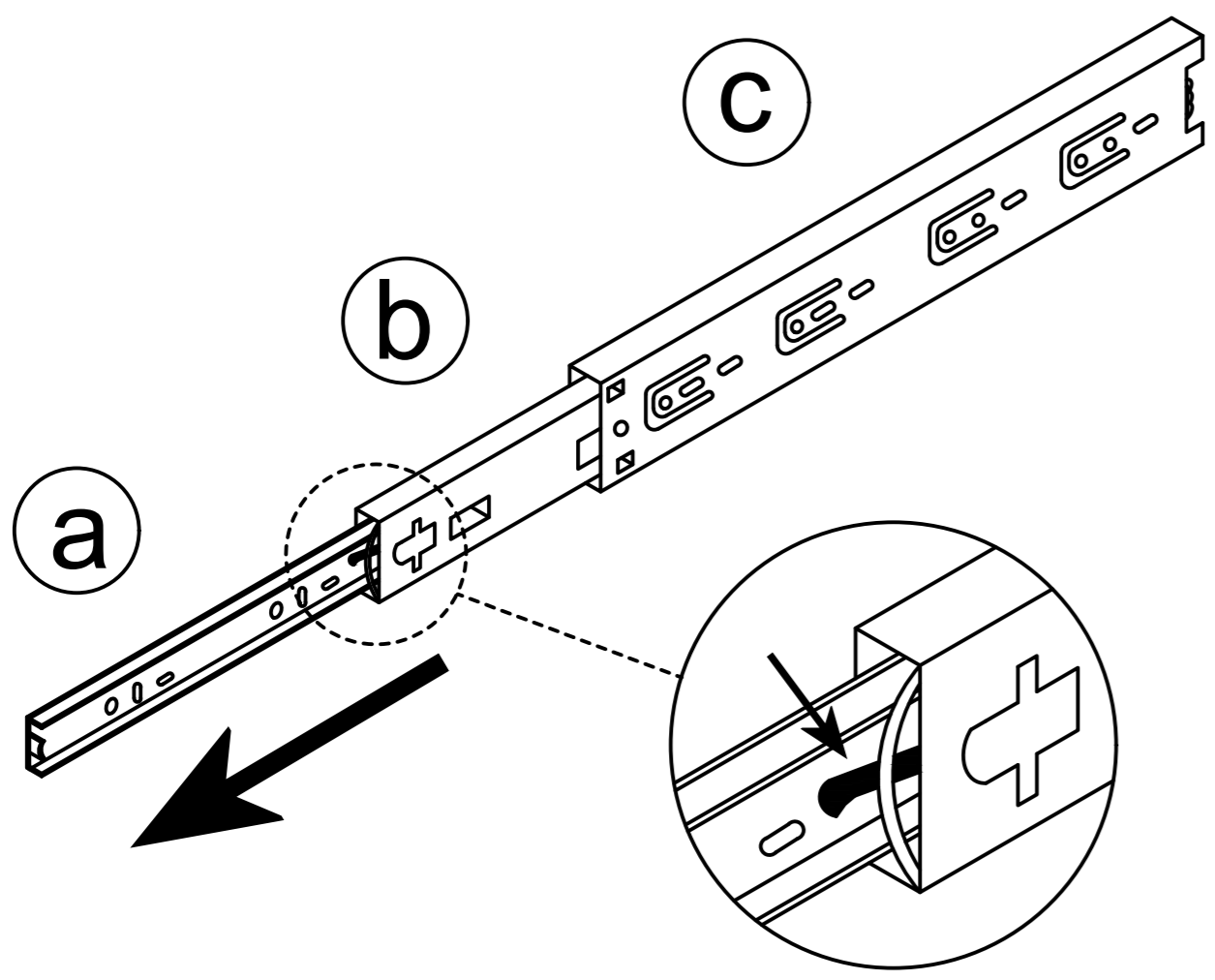


Step 5



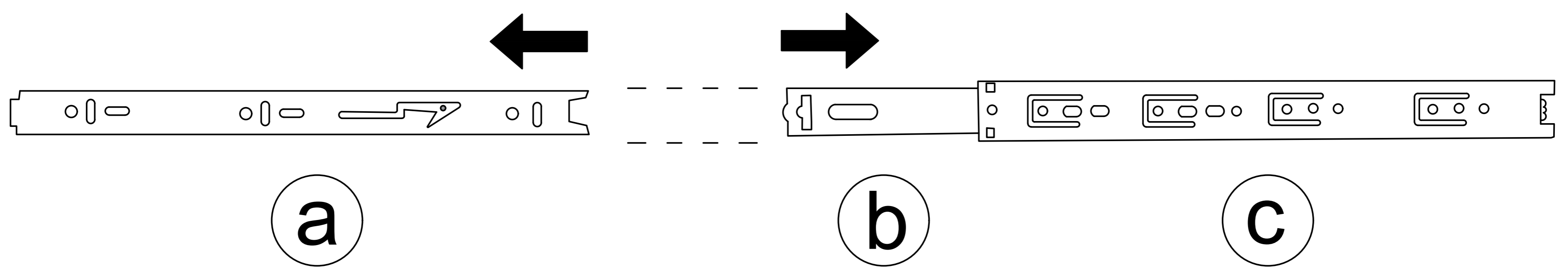
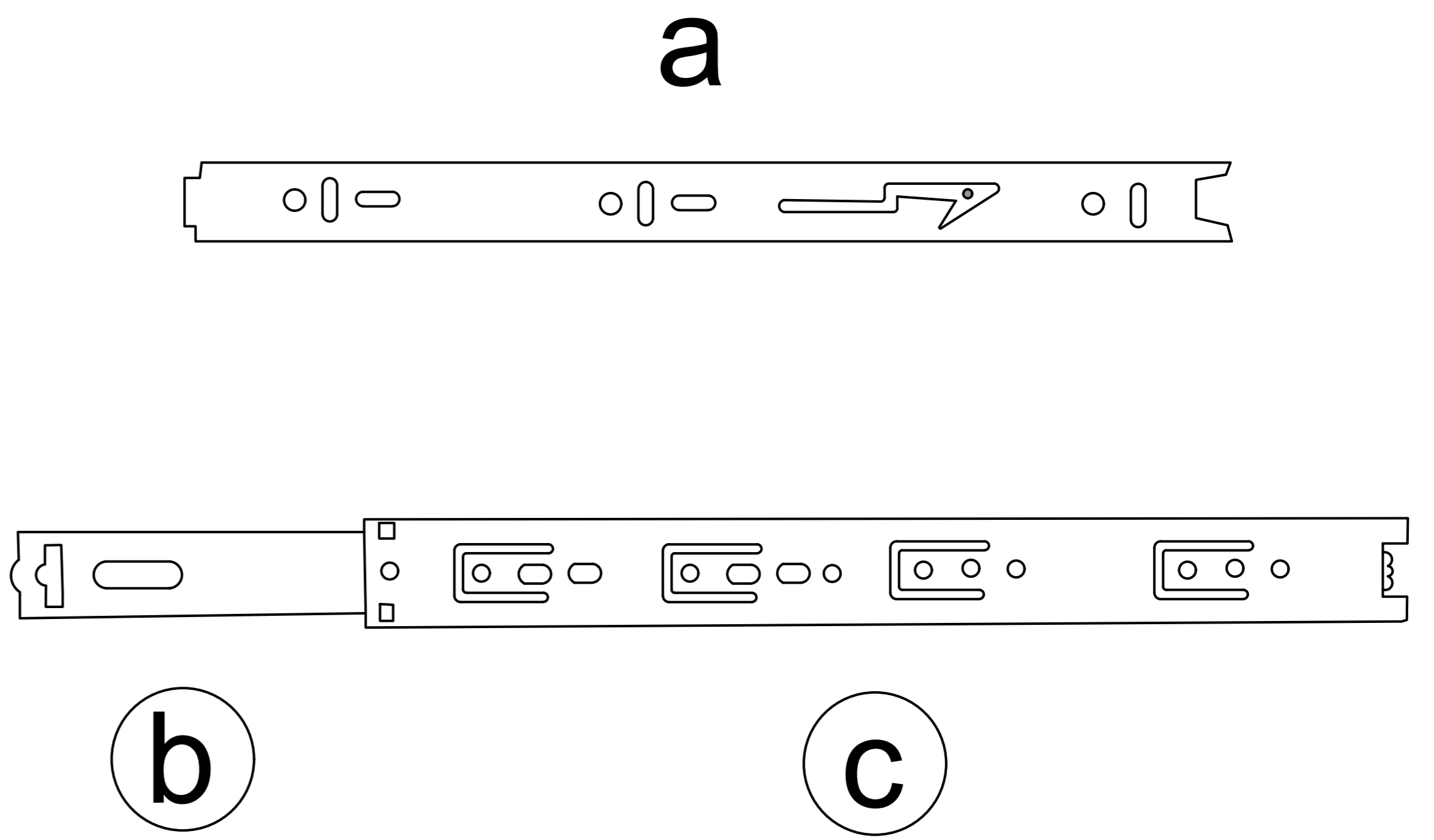
Use parts (E)

Drawer rail breakdown diagram

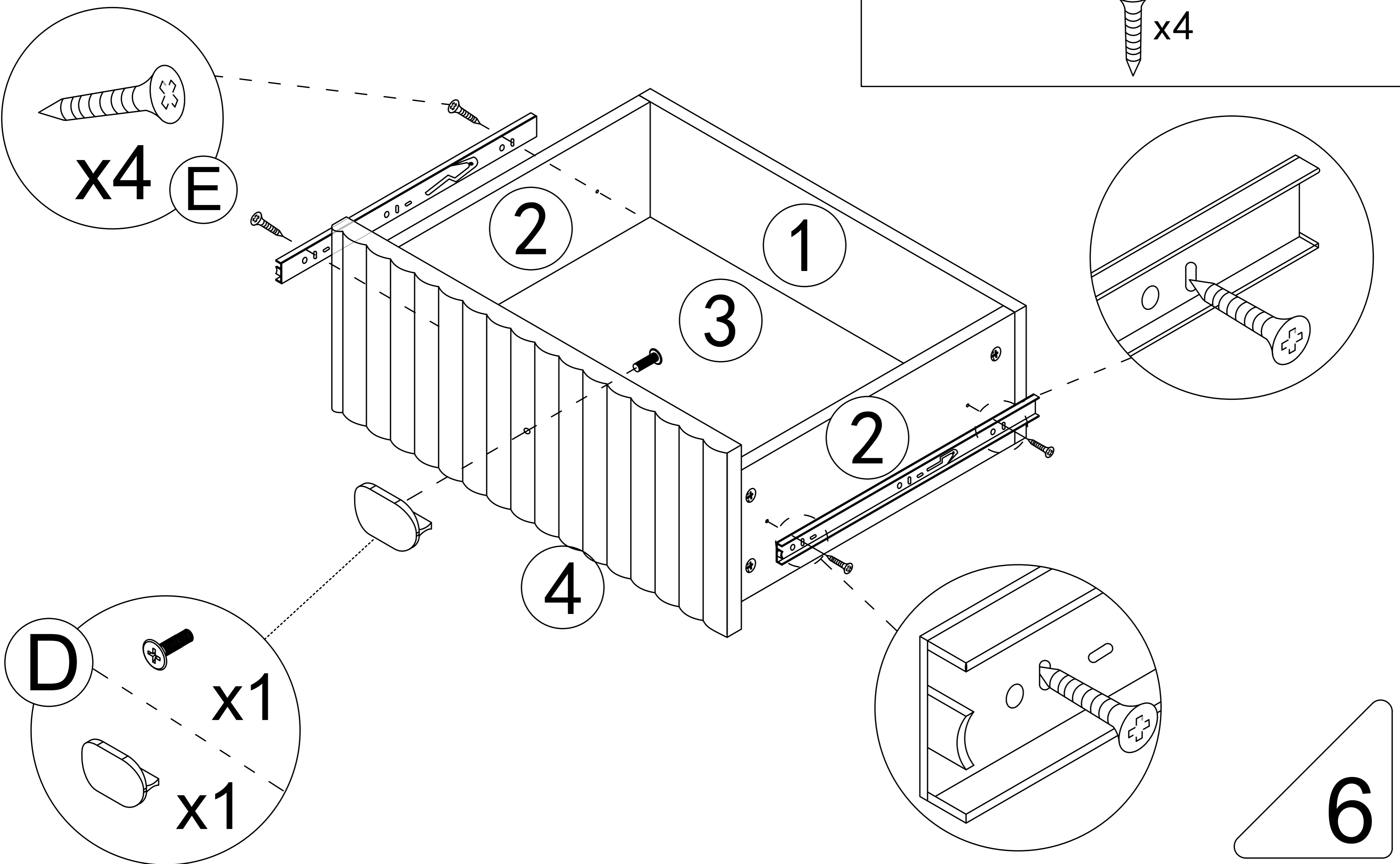
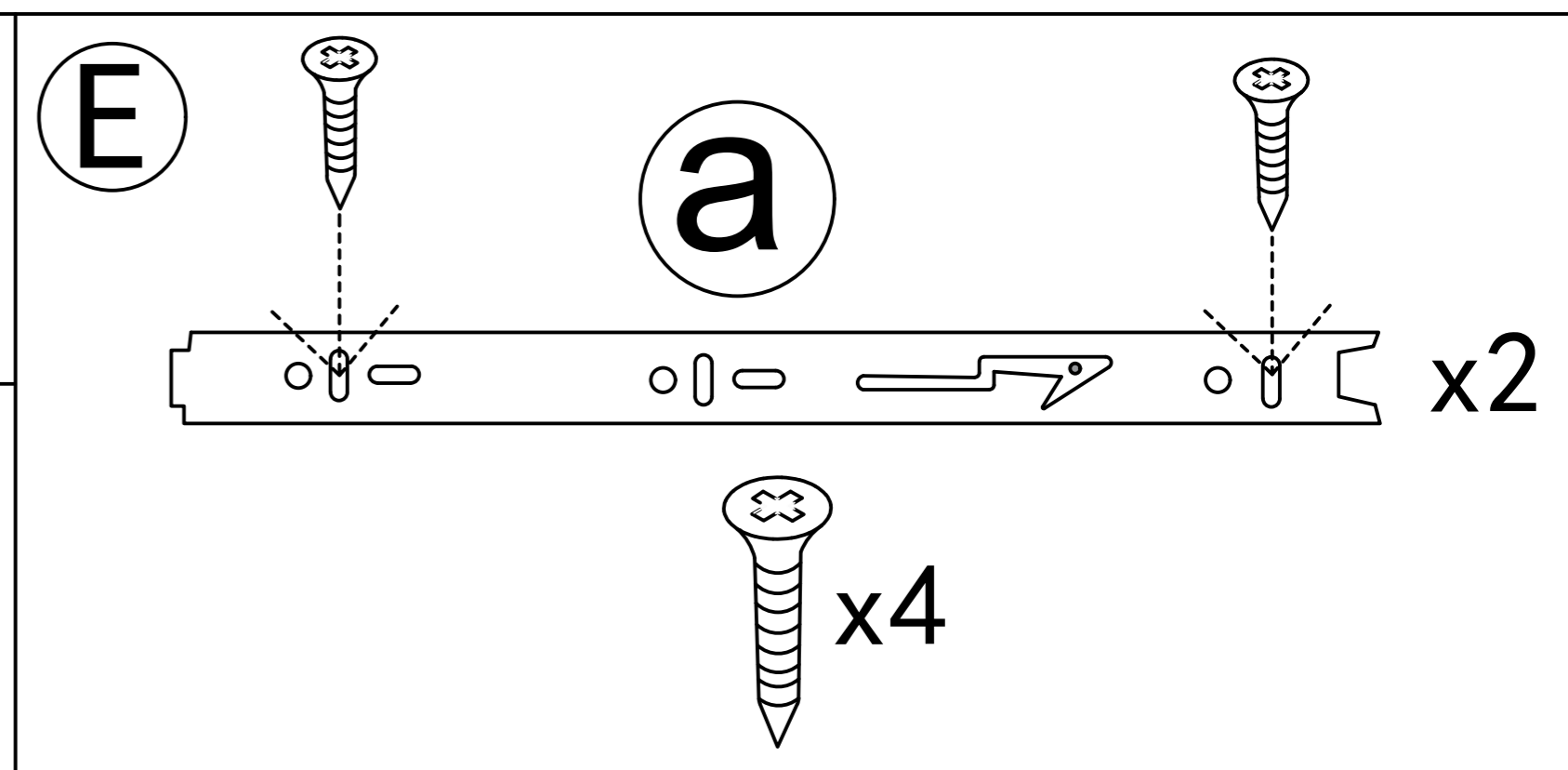
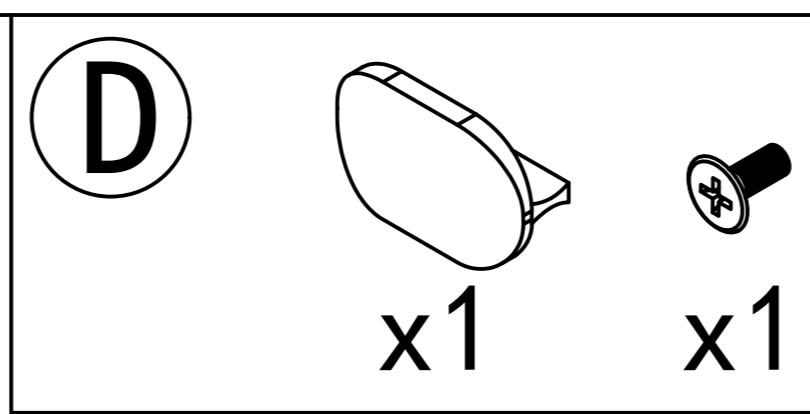


Step 1 : Pull the rails apart

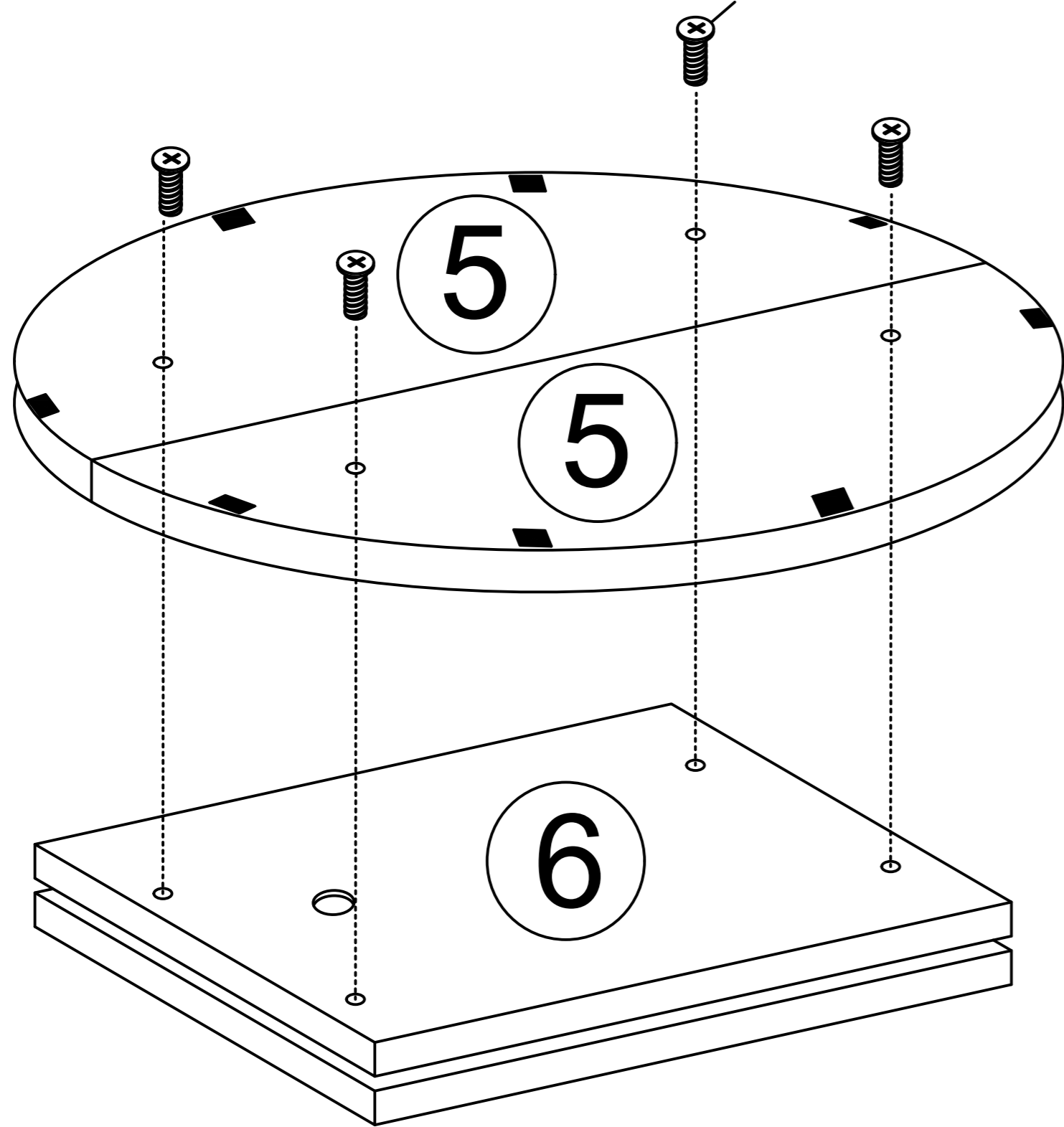
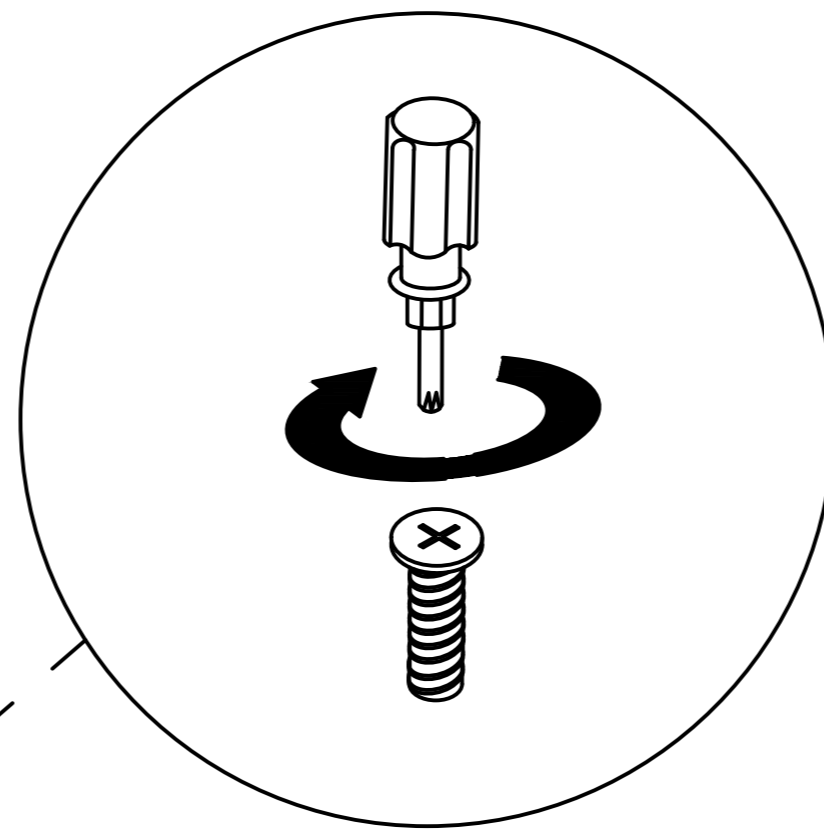
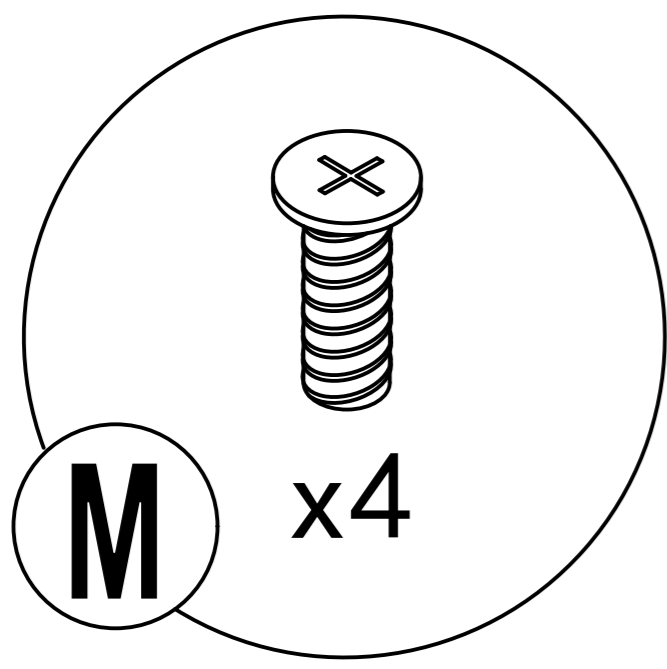
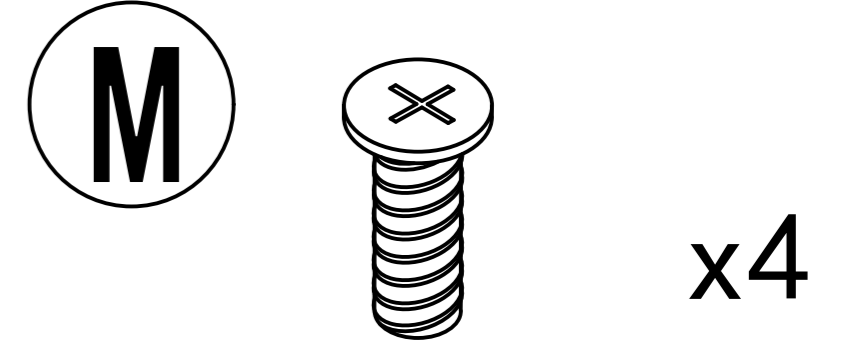
Step 2 : Push the nylon buckle outward (a)



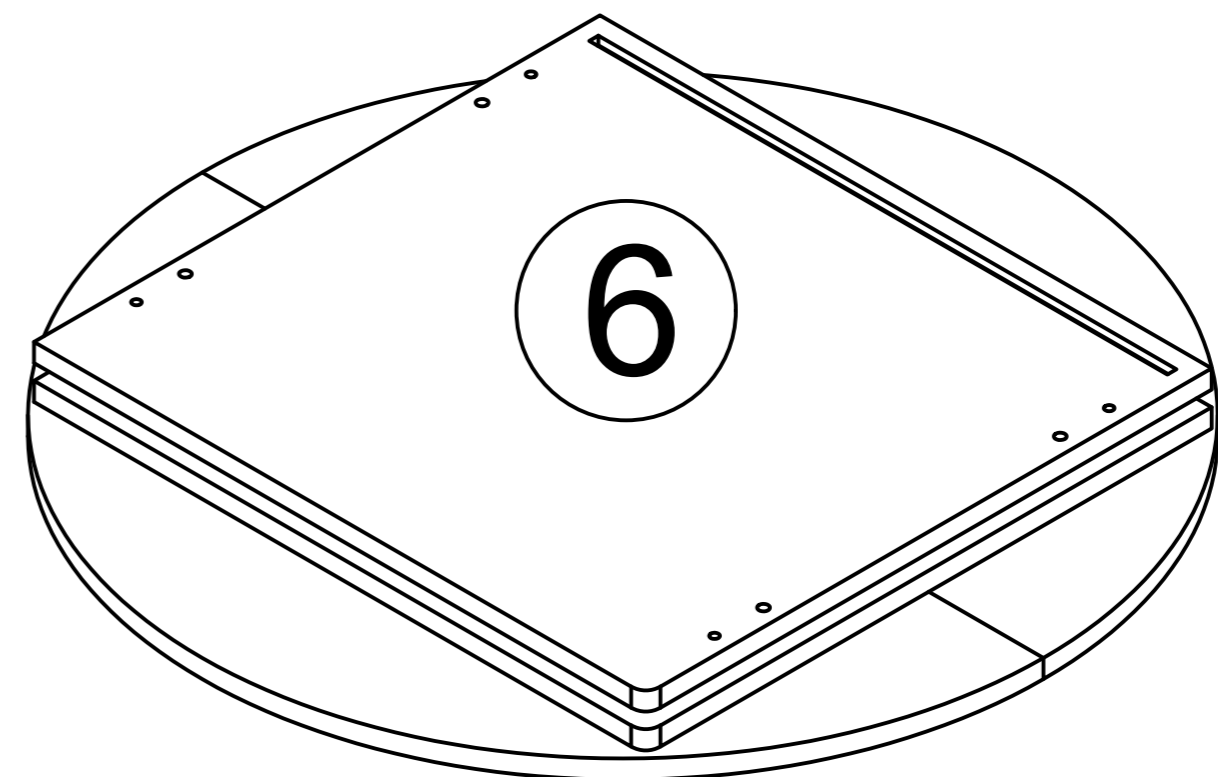
Step 6



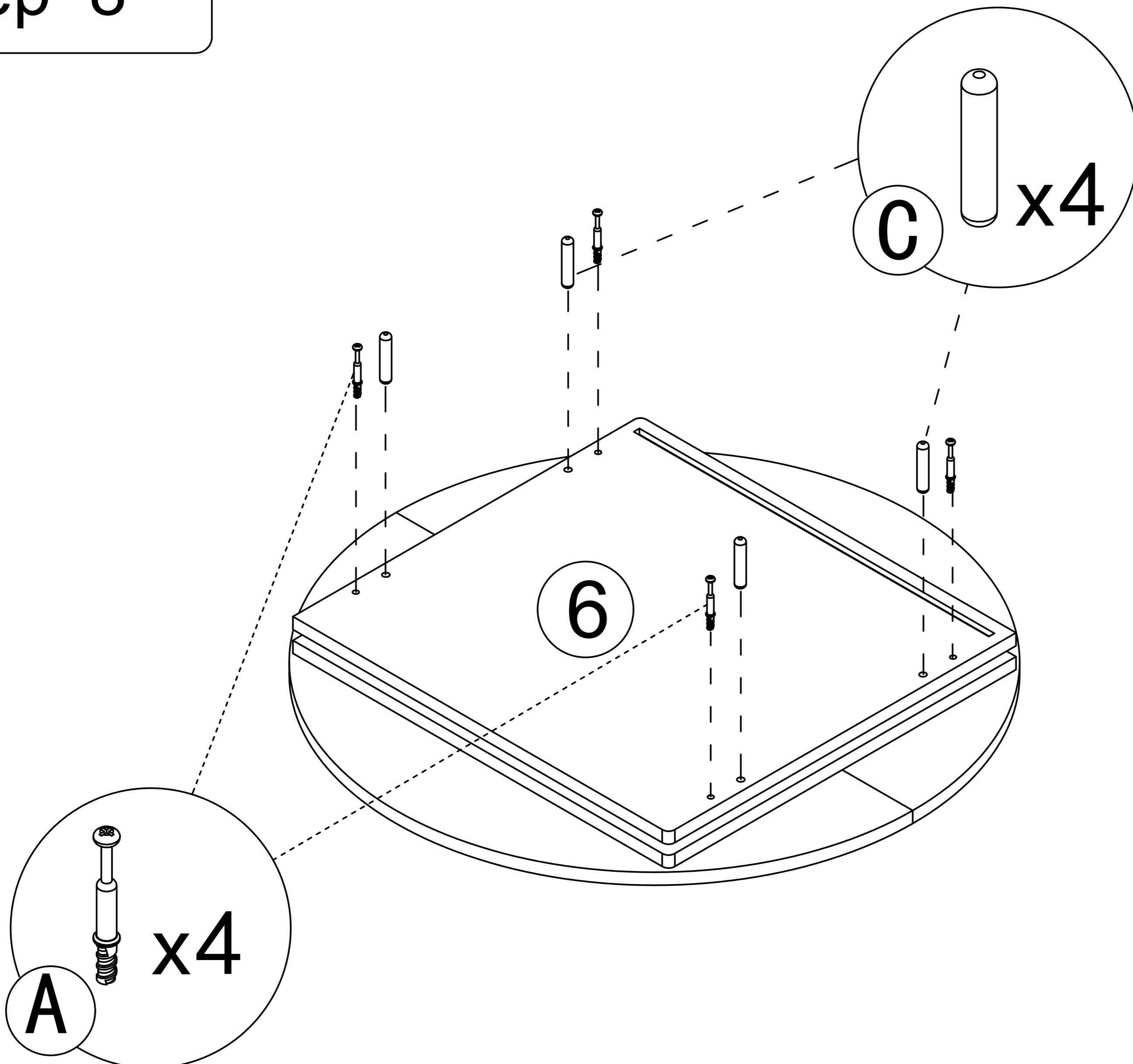
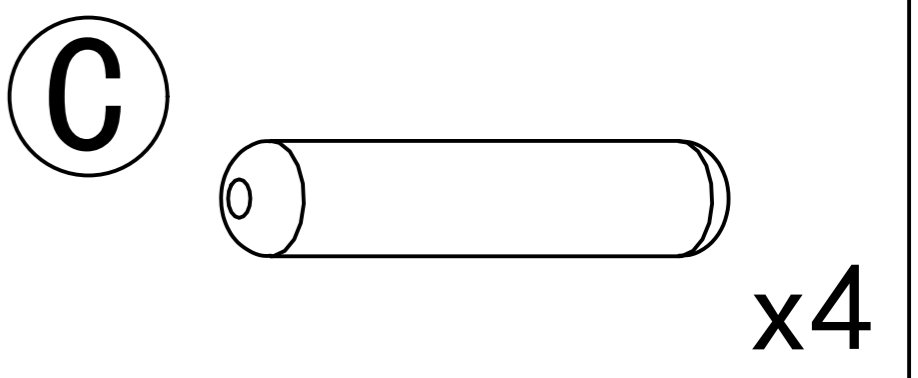
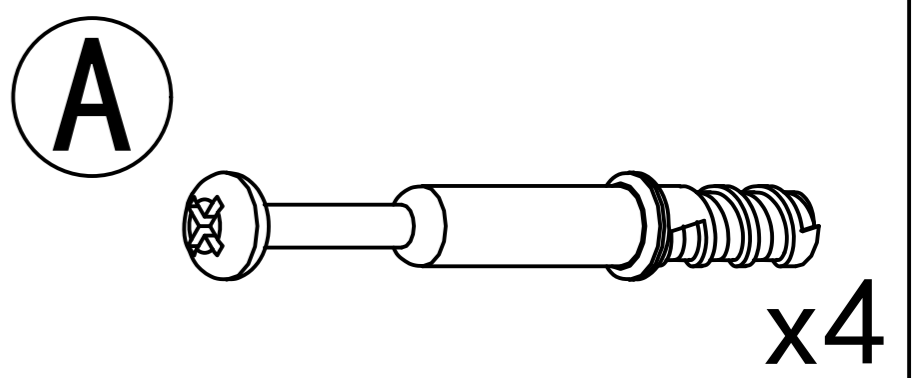
Step 7



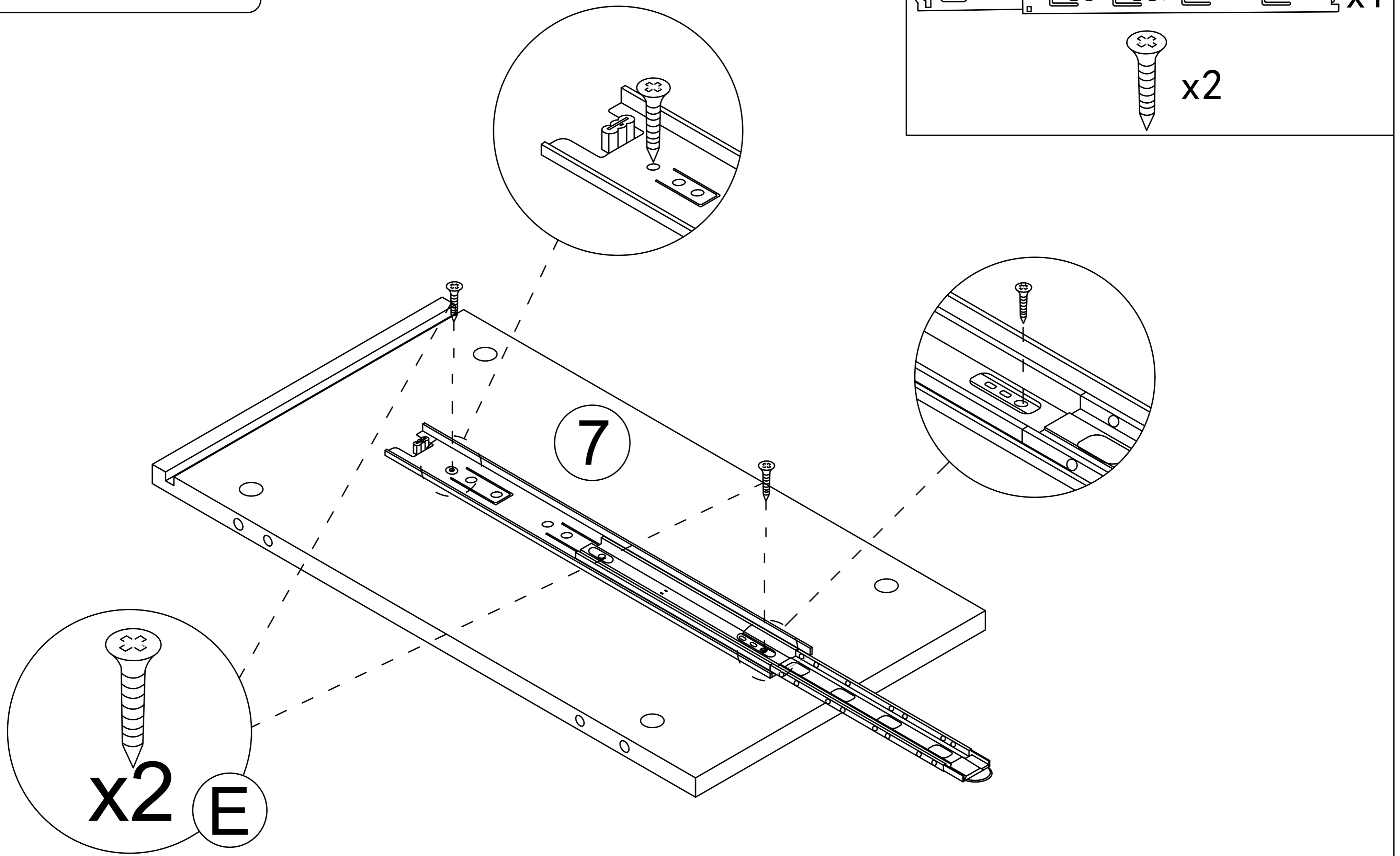
Turn the plank and screw it on



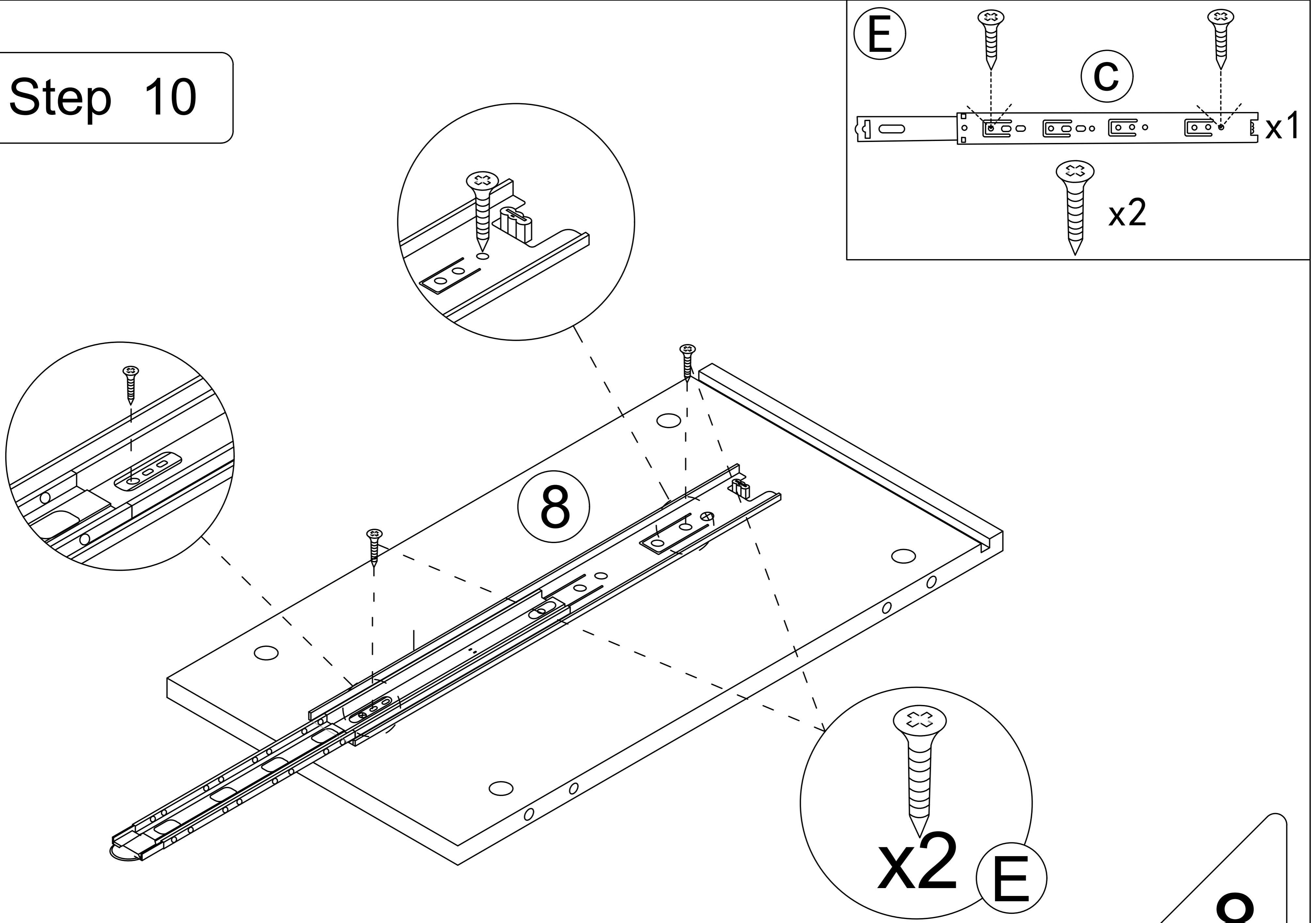
Step 8



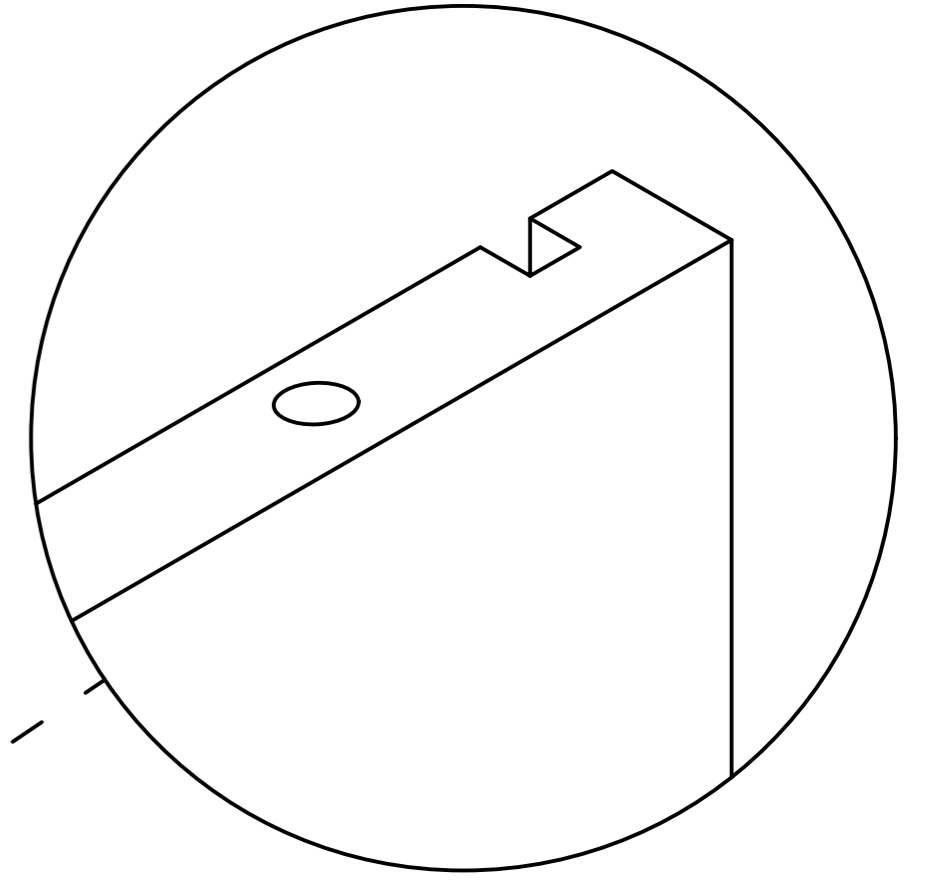
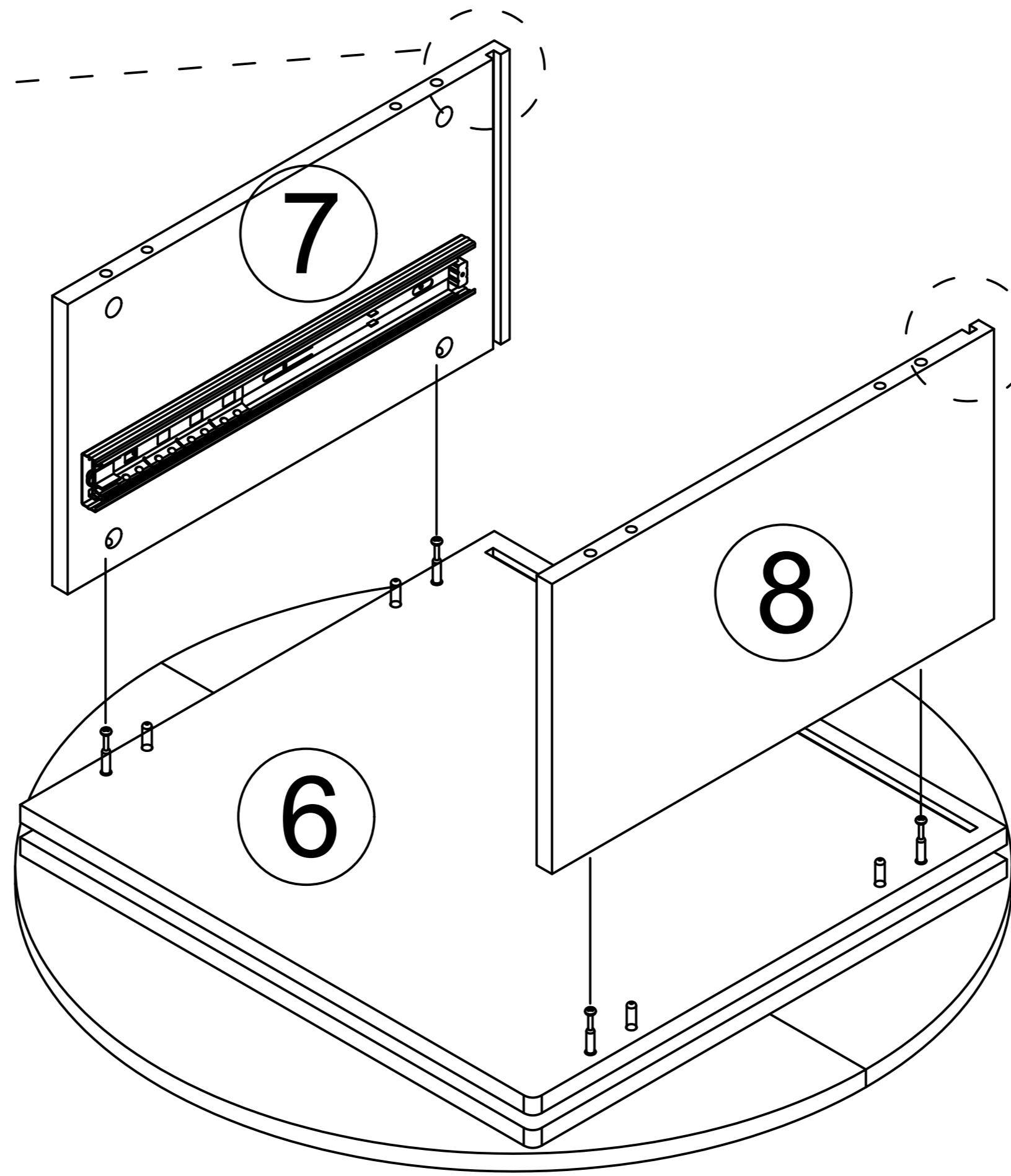
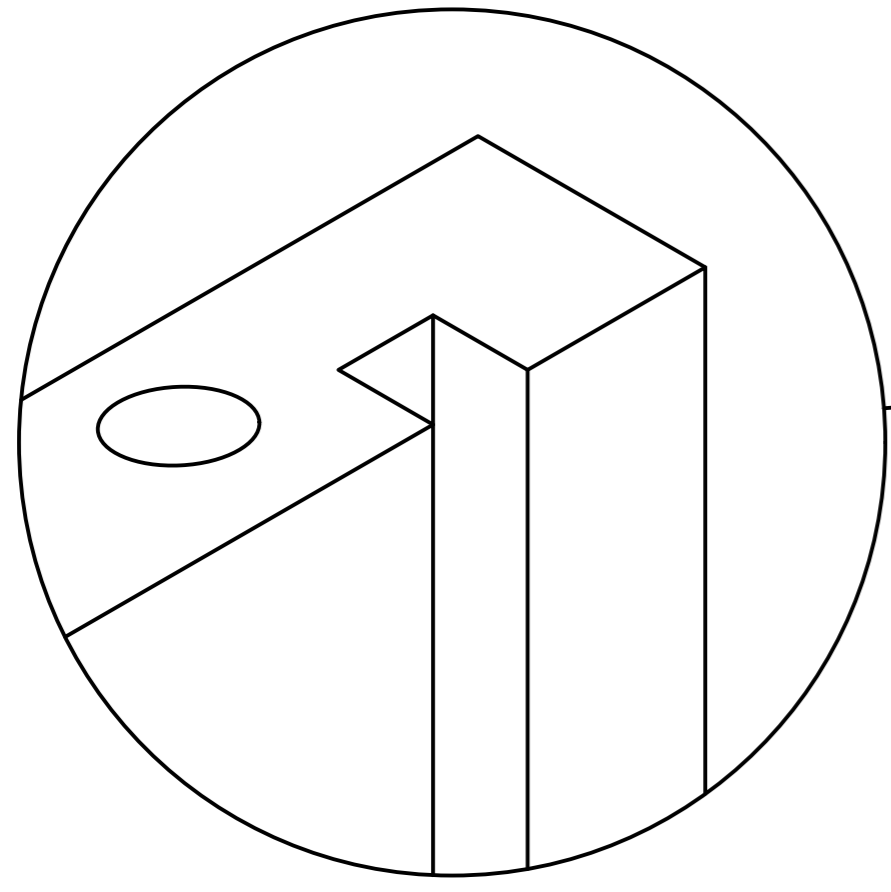
Step 9



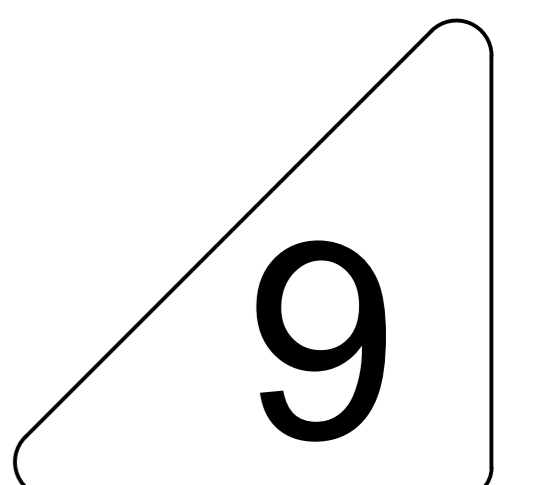
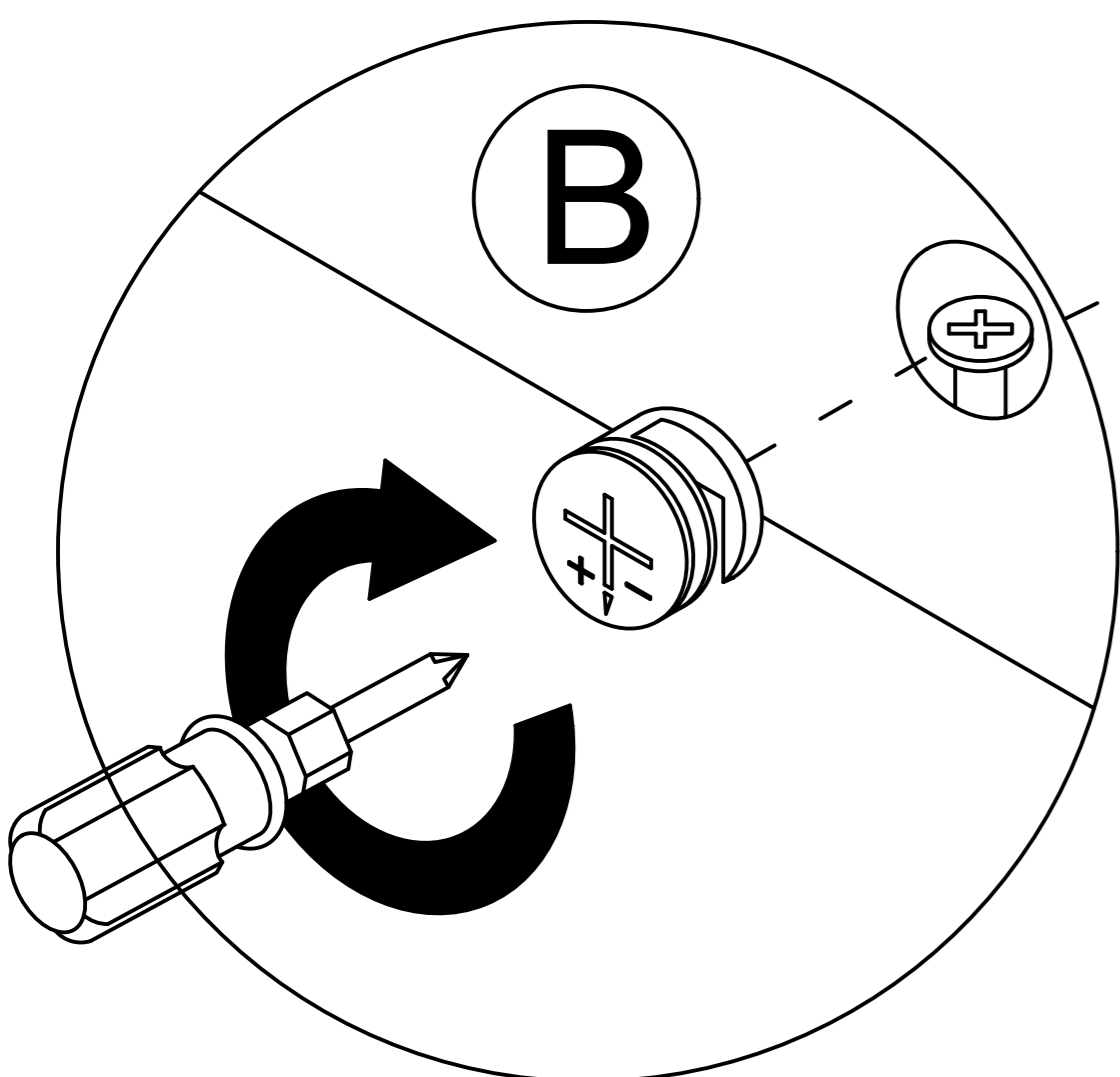
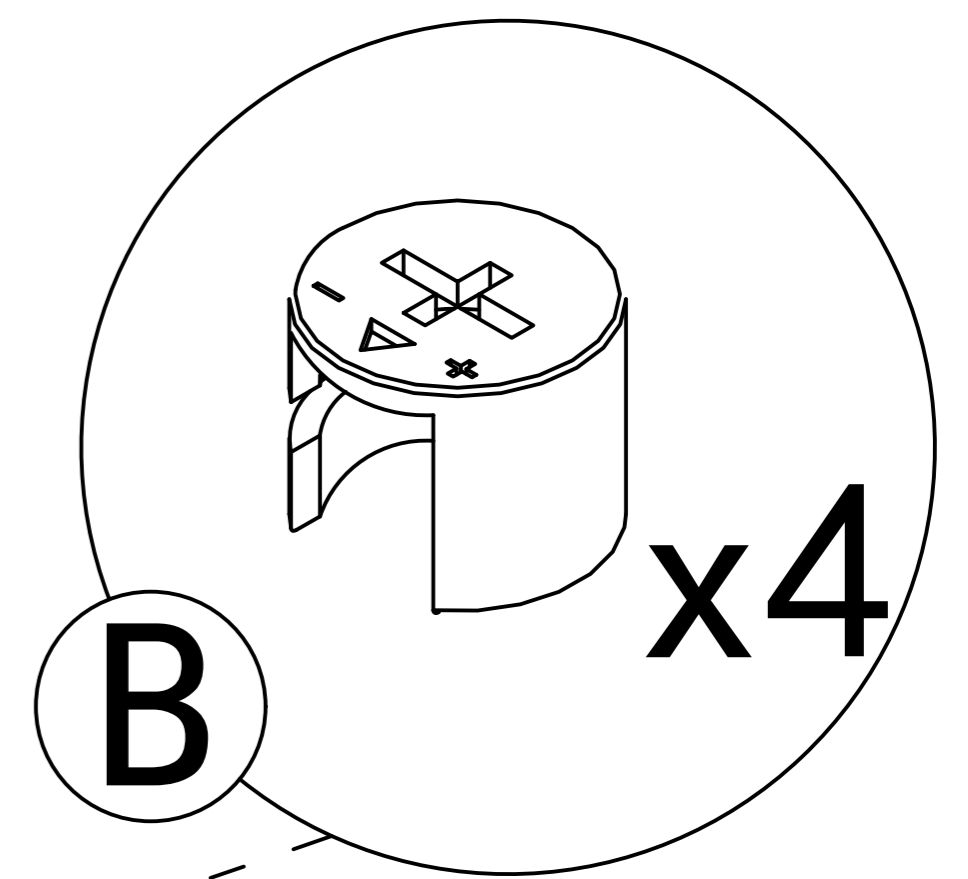
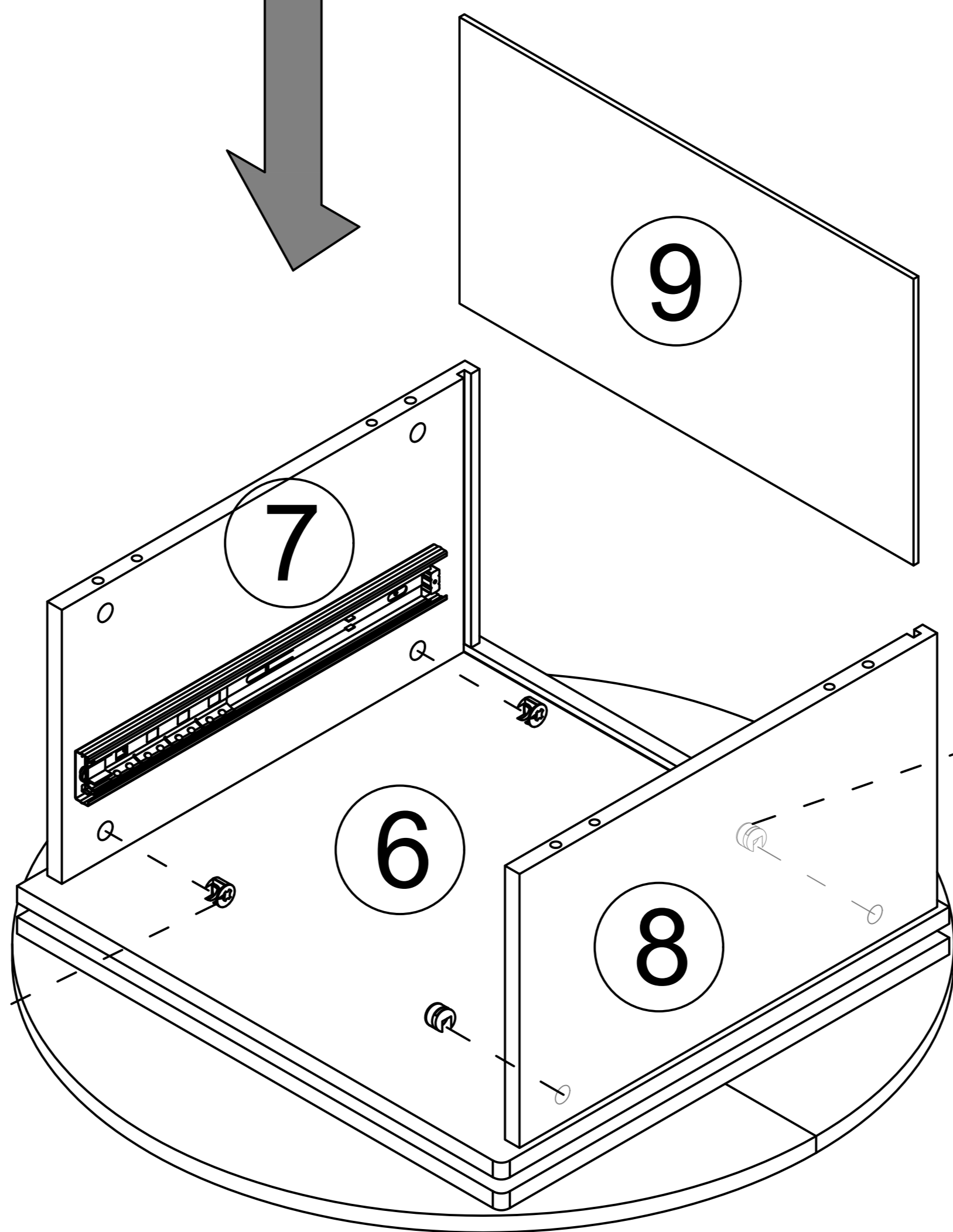
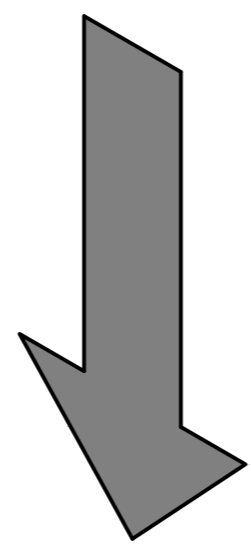
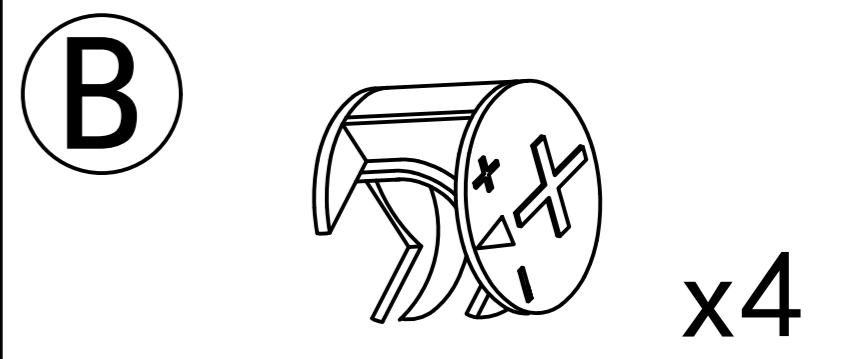
Step 10



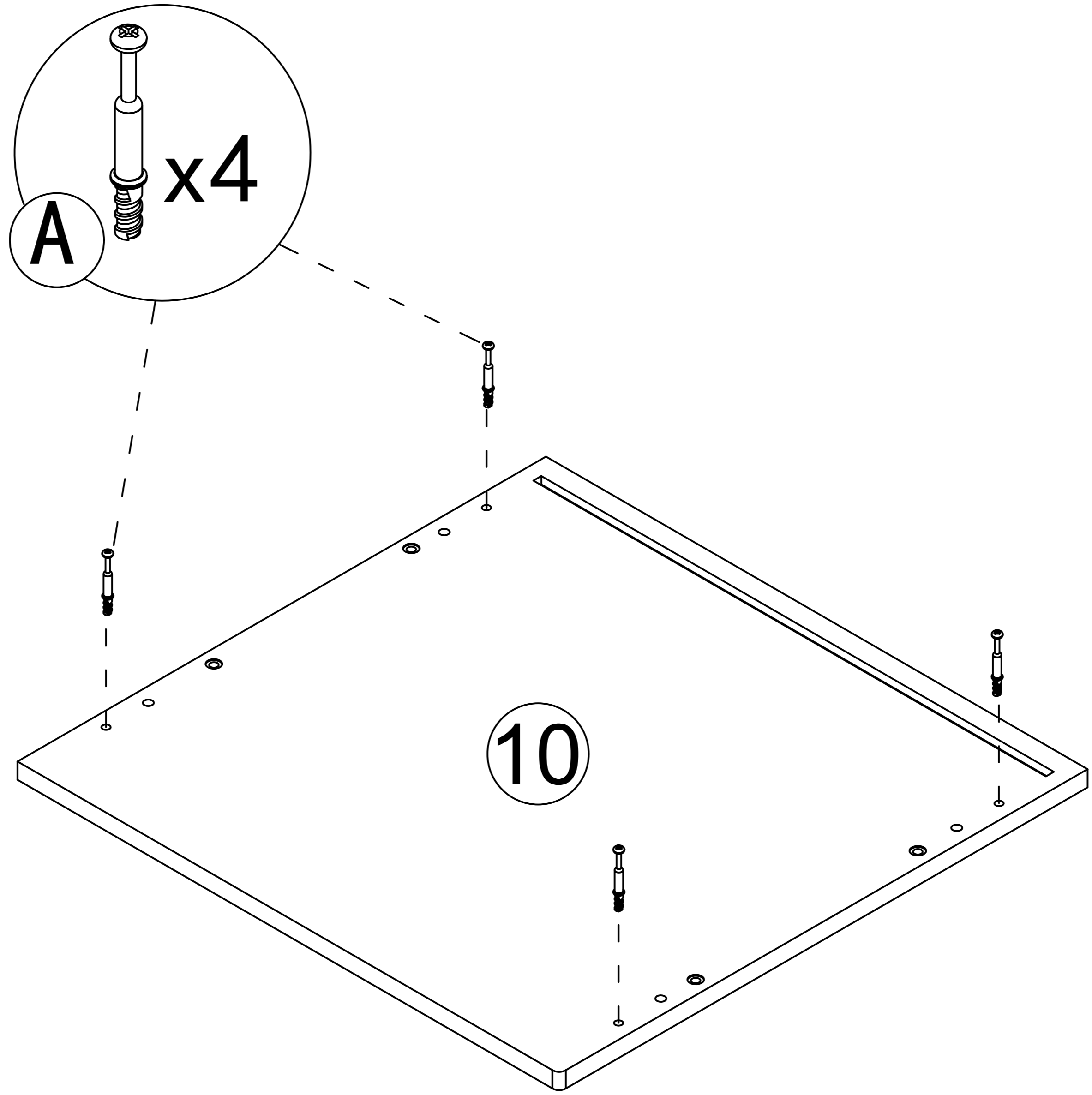
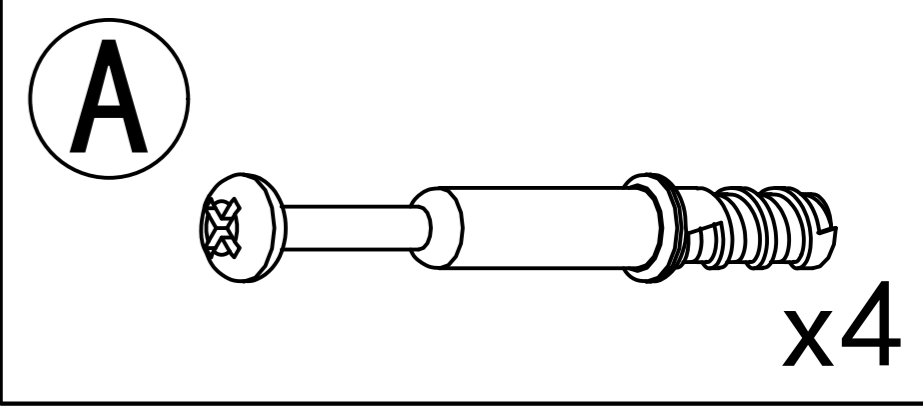
Step 11



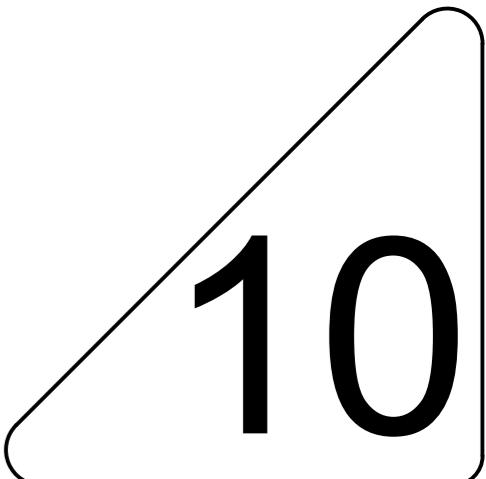
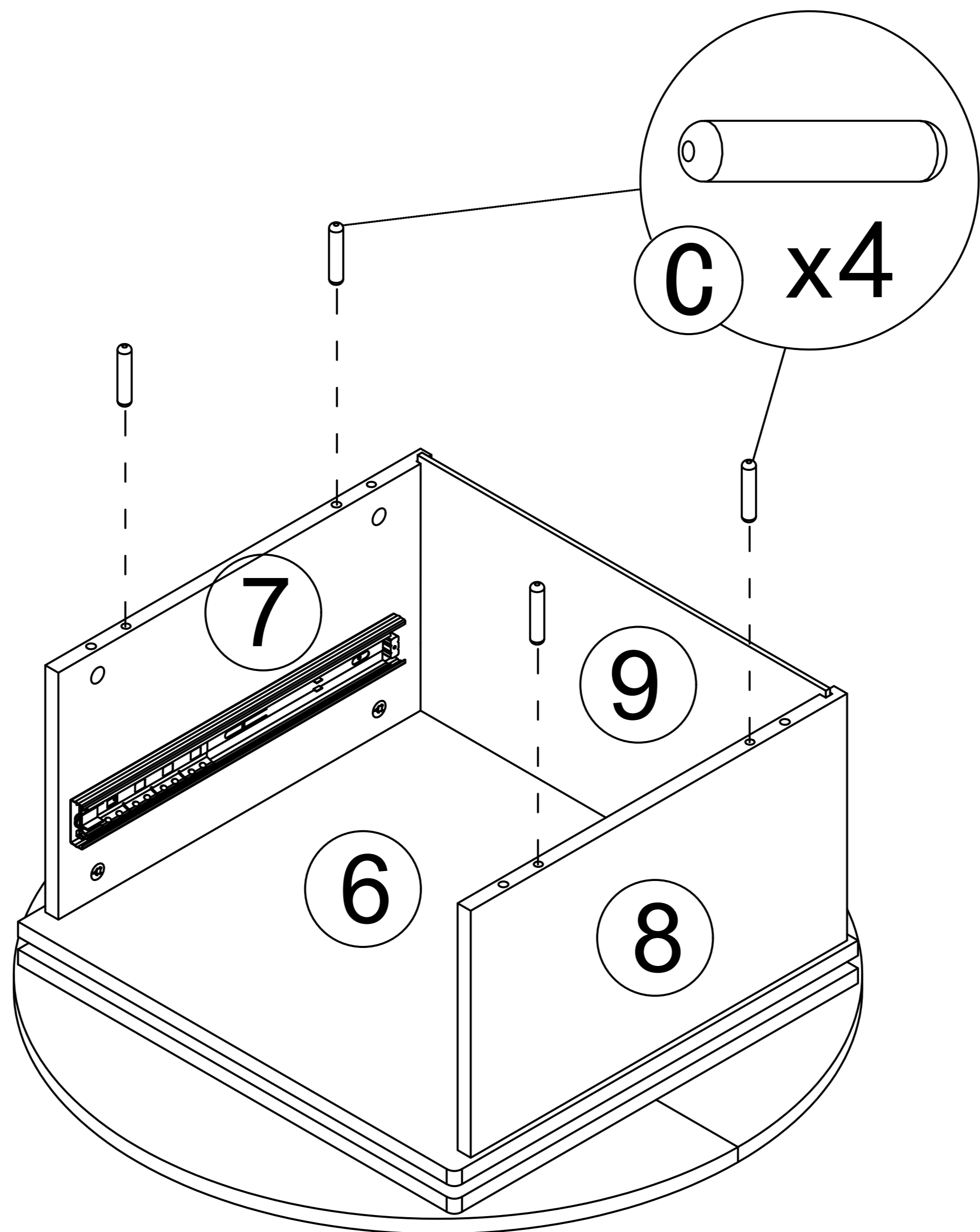
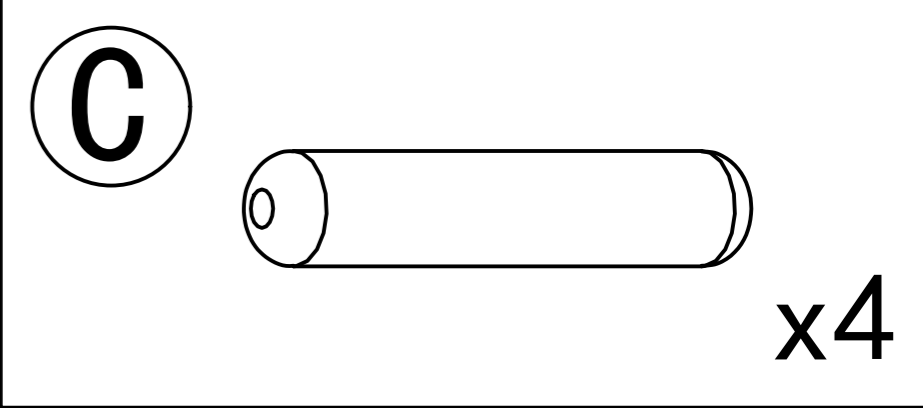
Step 12



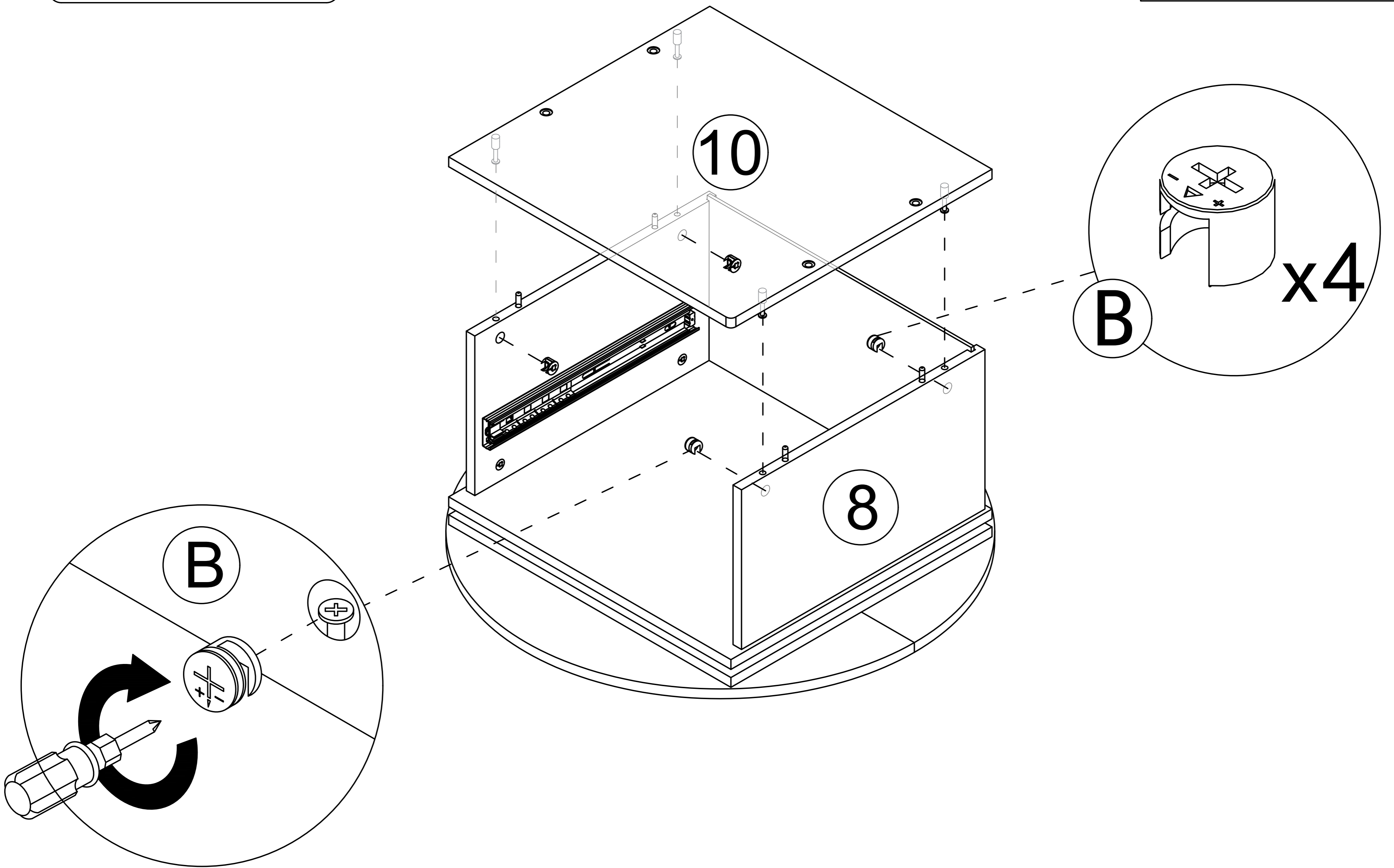
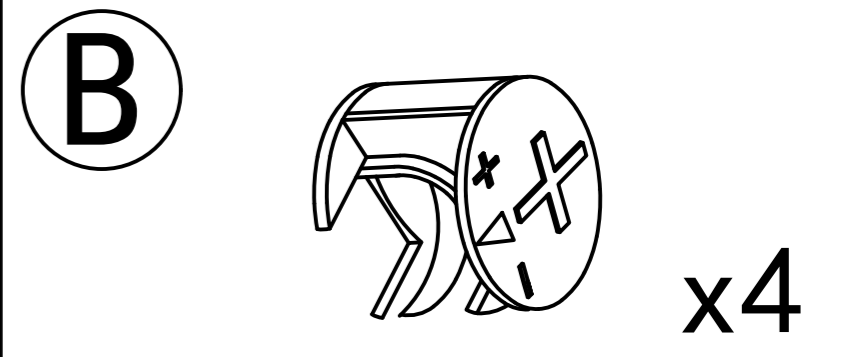
Step 13



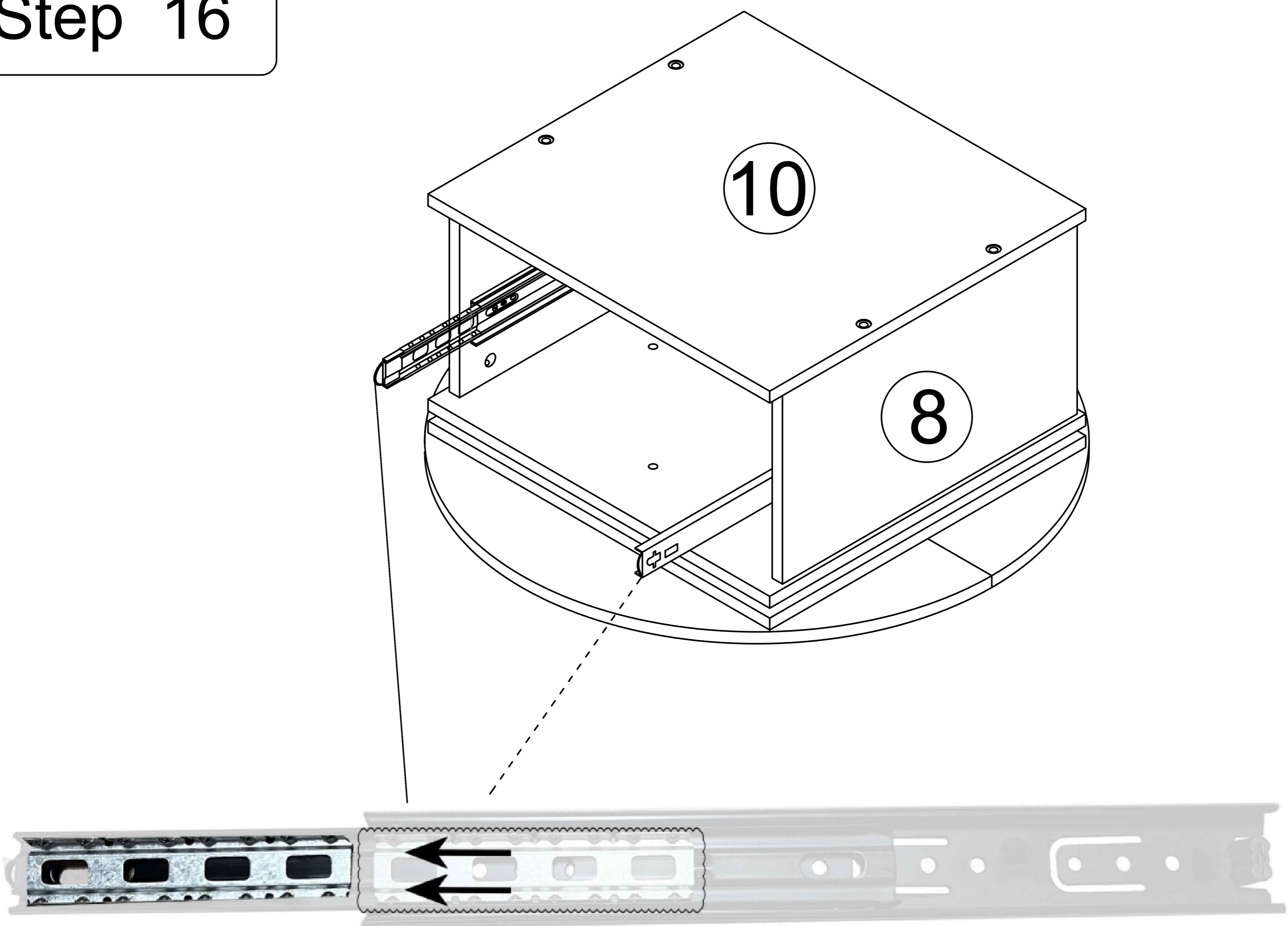
Step 14



Step 15

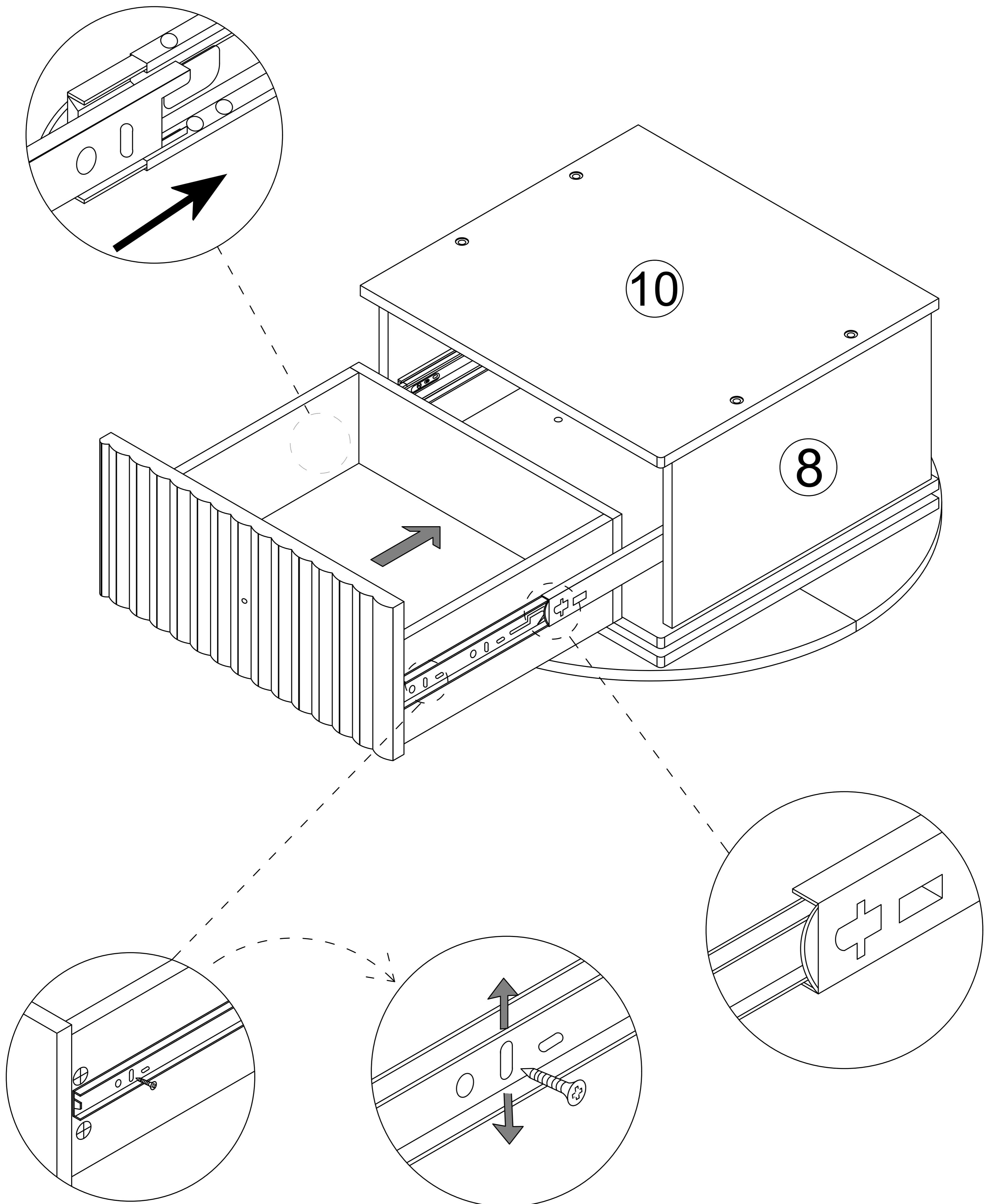


Step 16



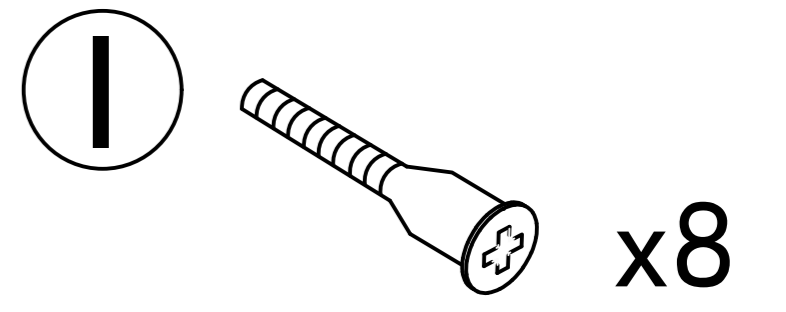
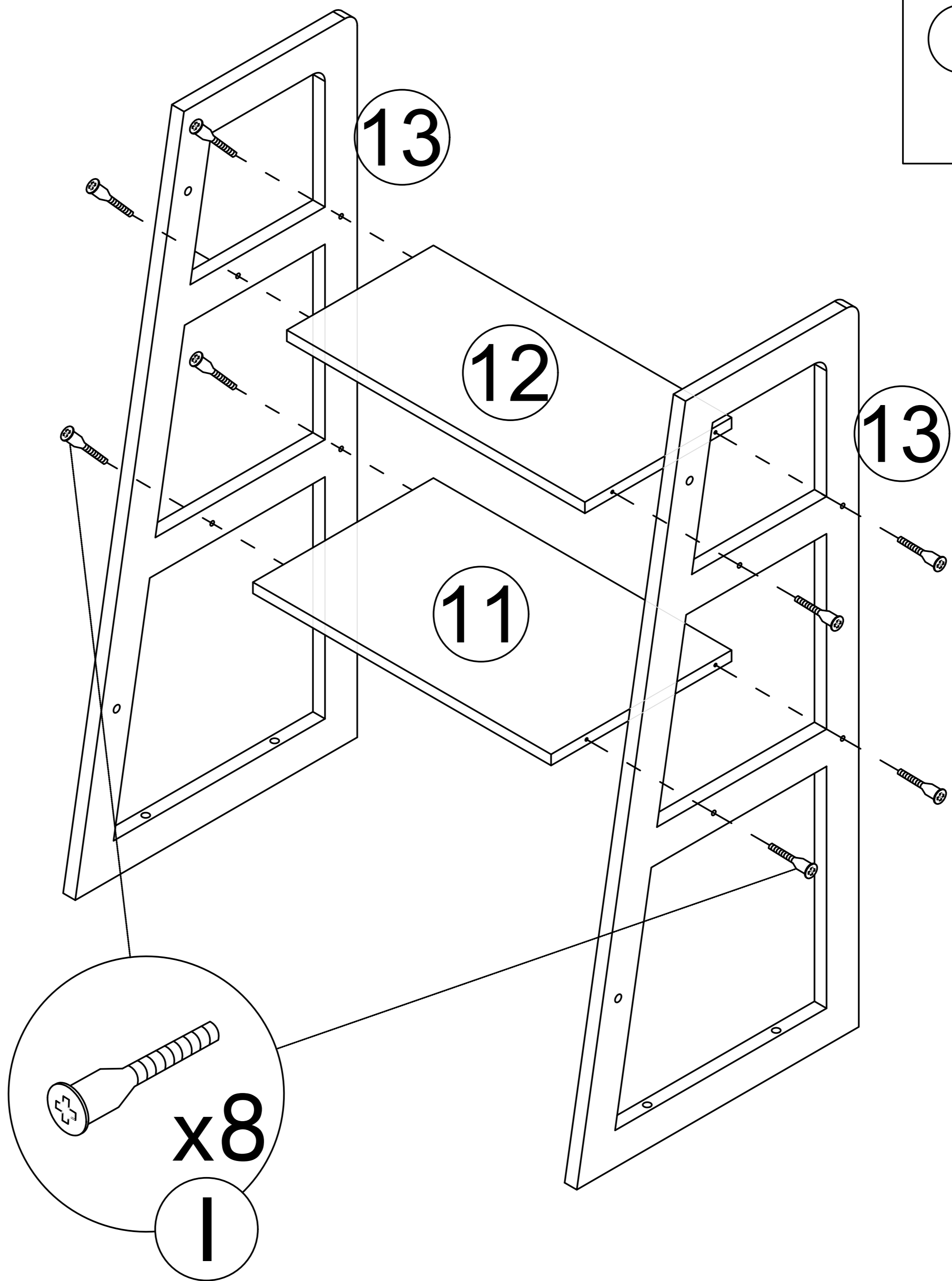
As shown, When installing the drawer, pull the guide rail out first, Slide beads are also pulled out.

Step 17

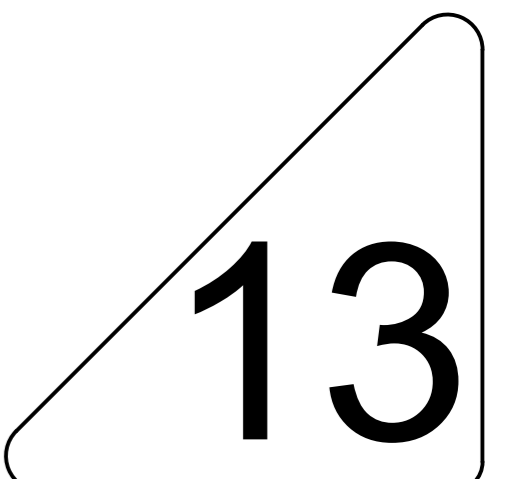
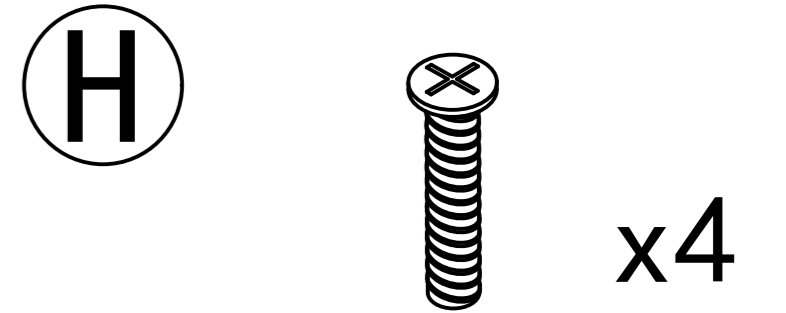
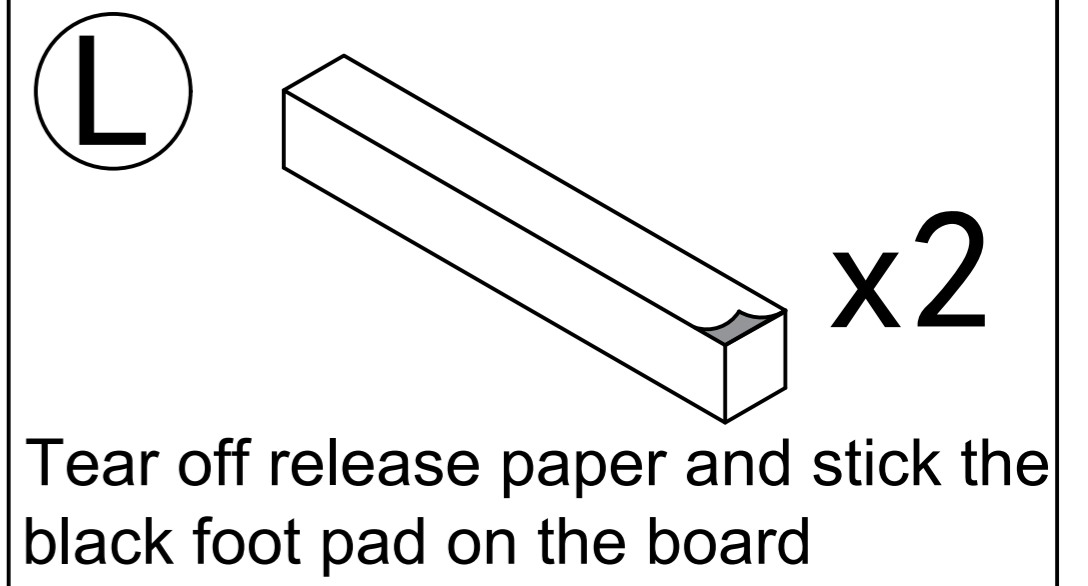
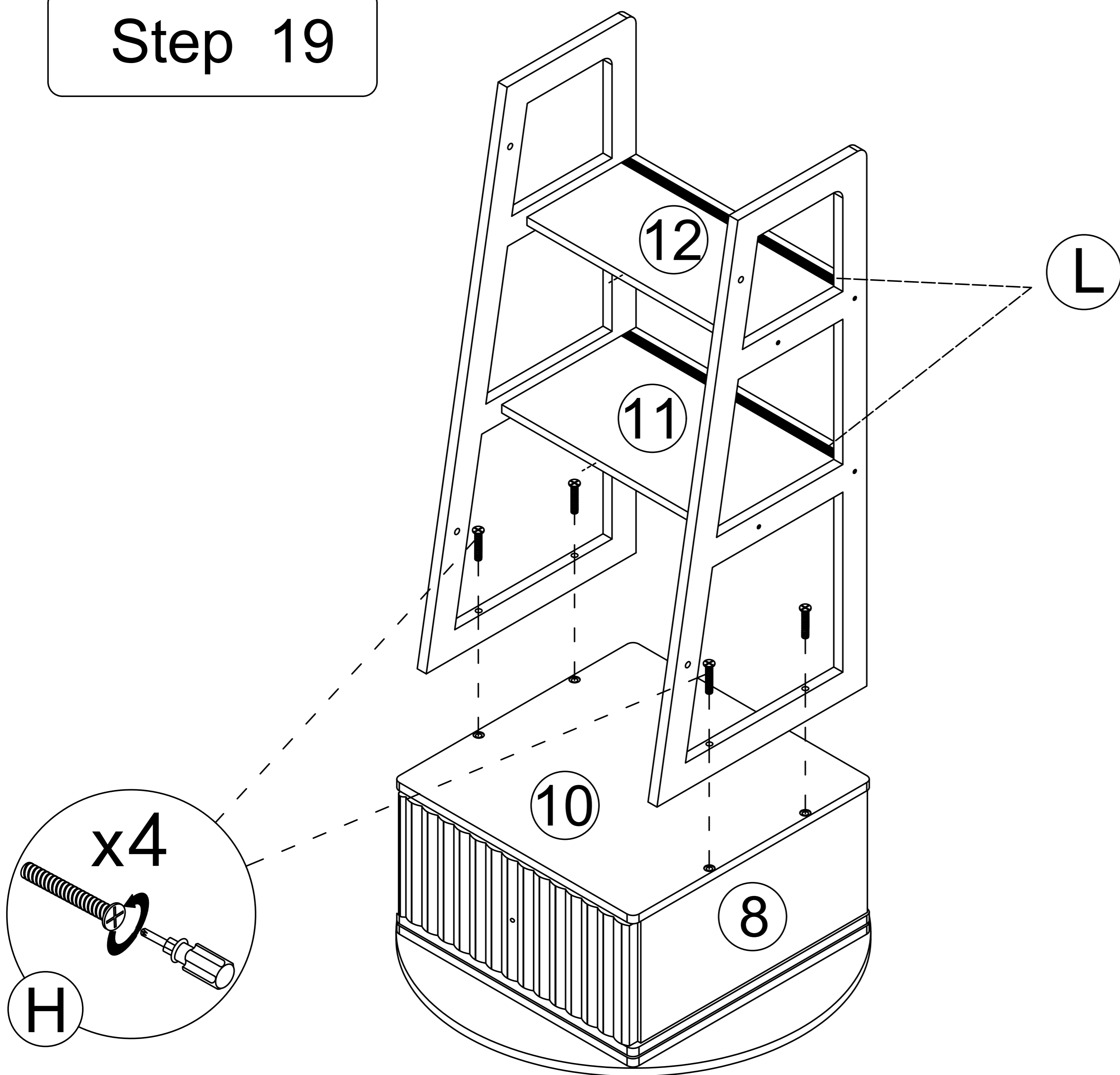


If a large gap is found after installing the drawer the slide rail can be moved up and down to adjust the gap

Step 18

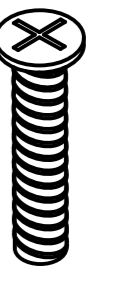


Step 19

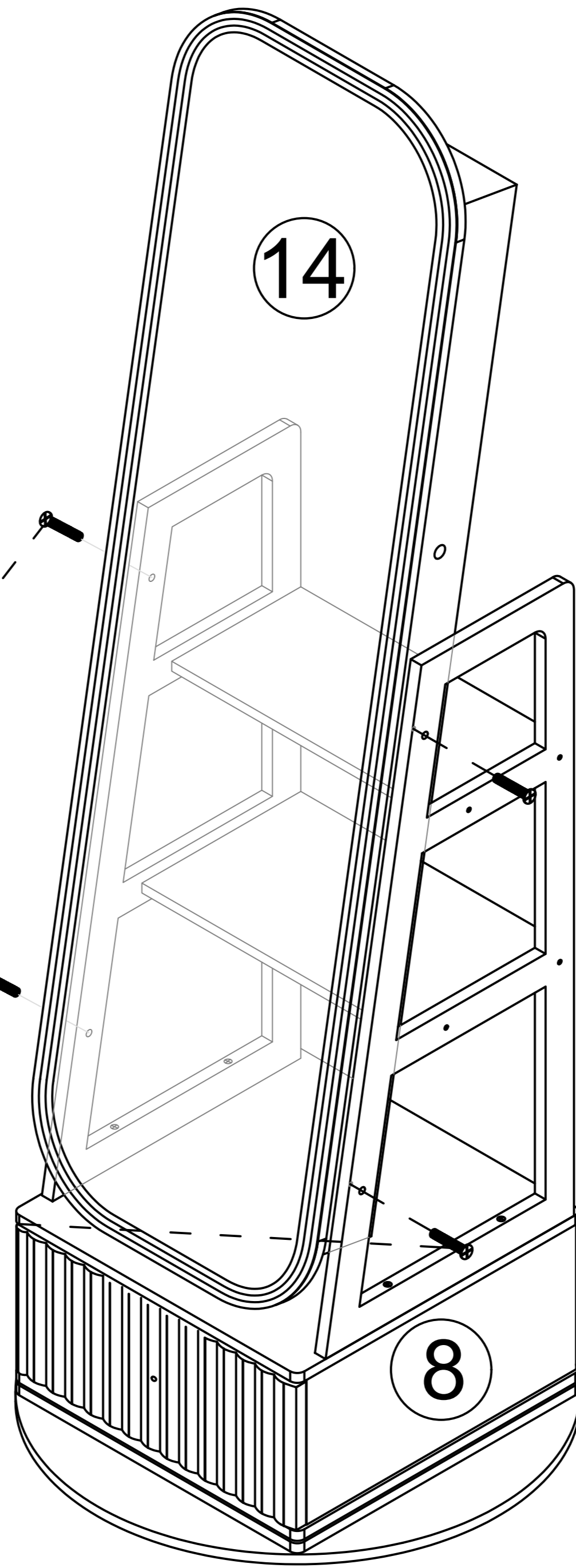
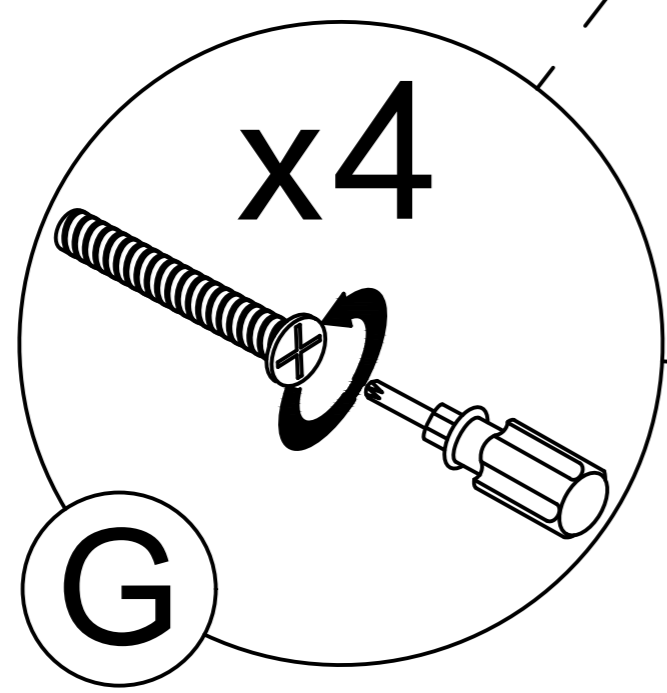


Step 20

G

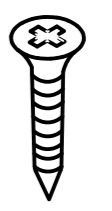


x4



Step 21

F



x4



x2

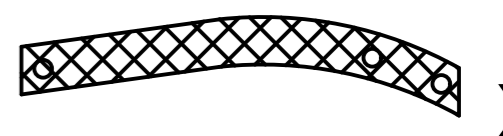
J



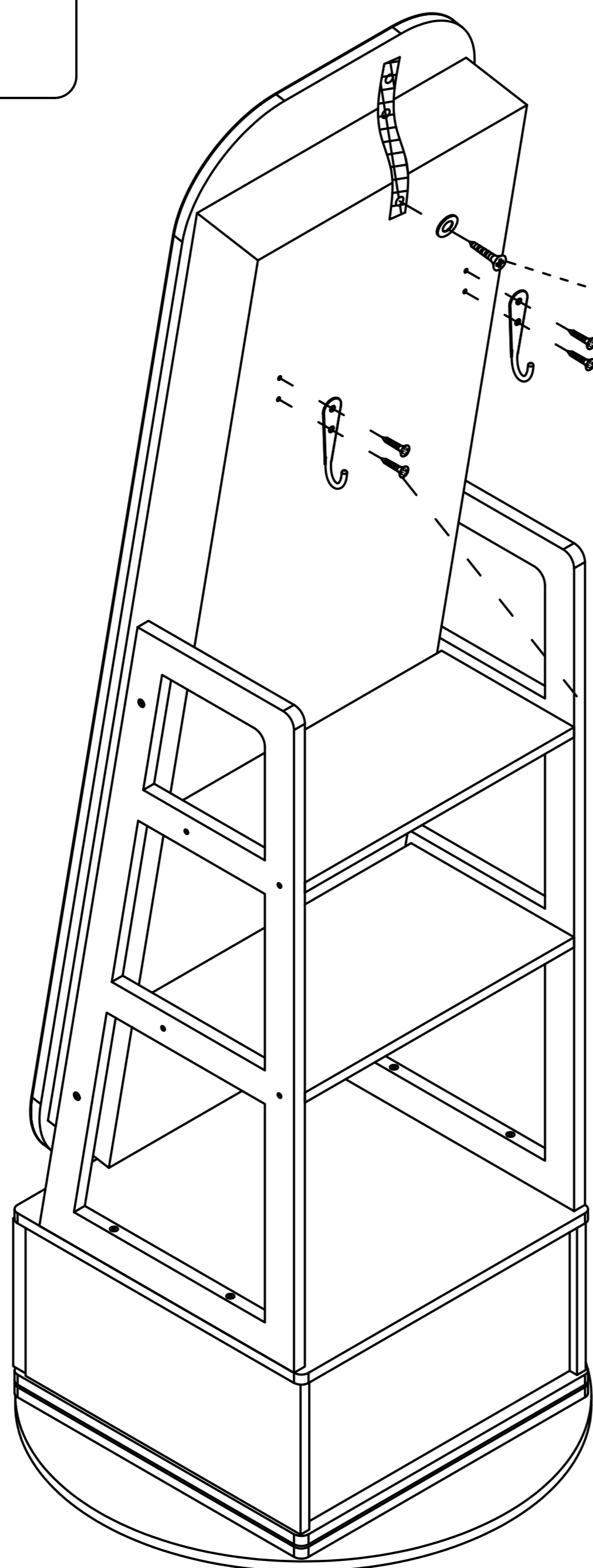
x1



x1



x1



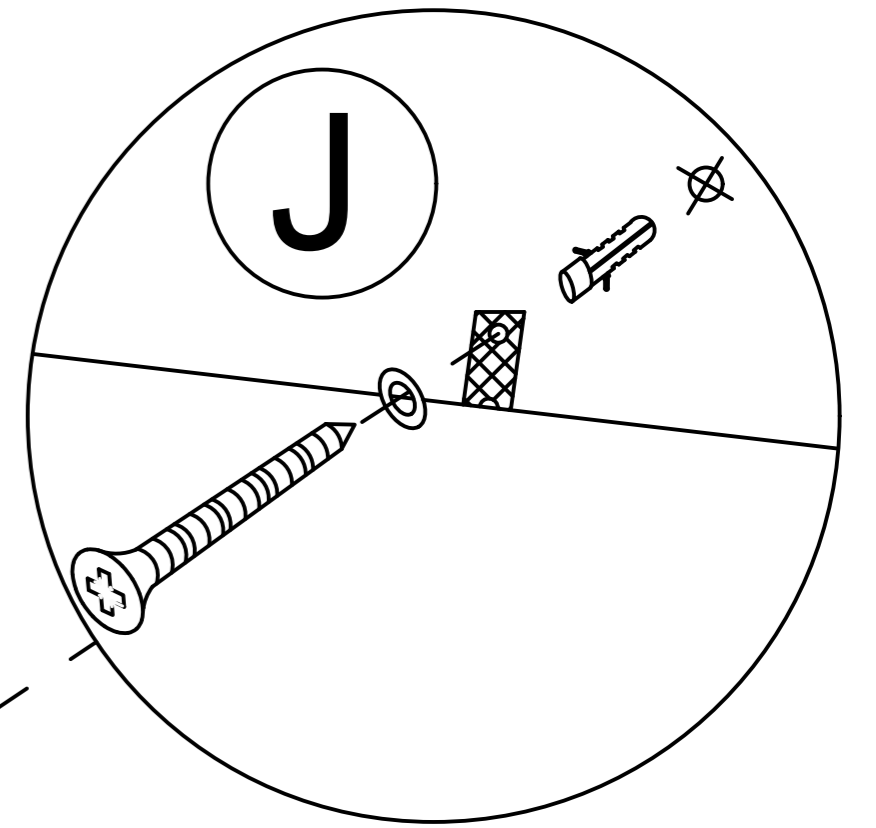
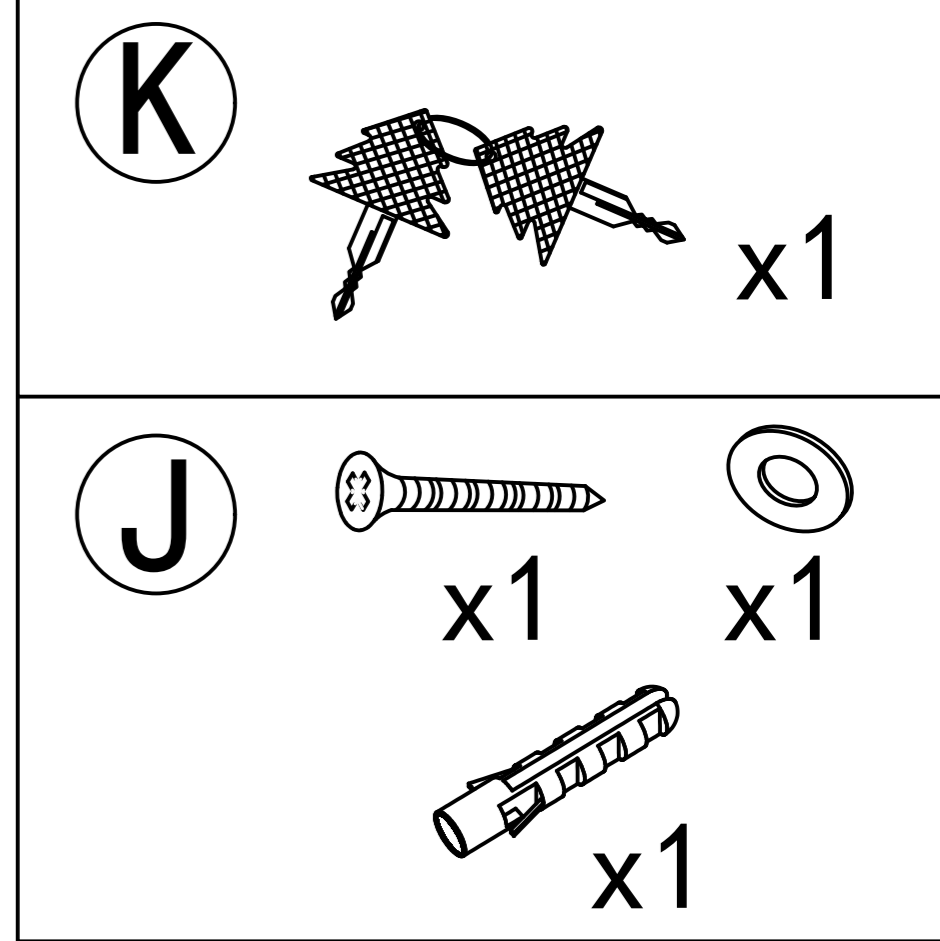
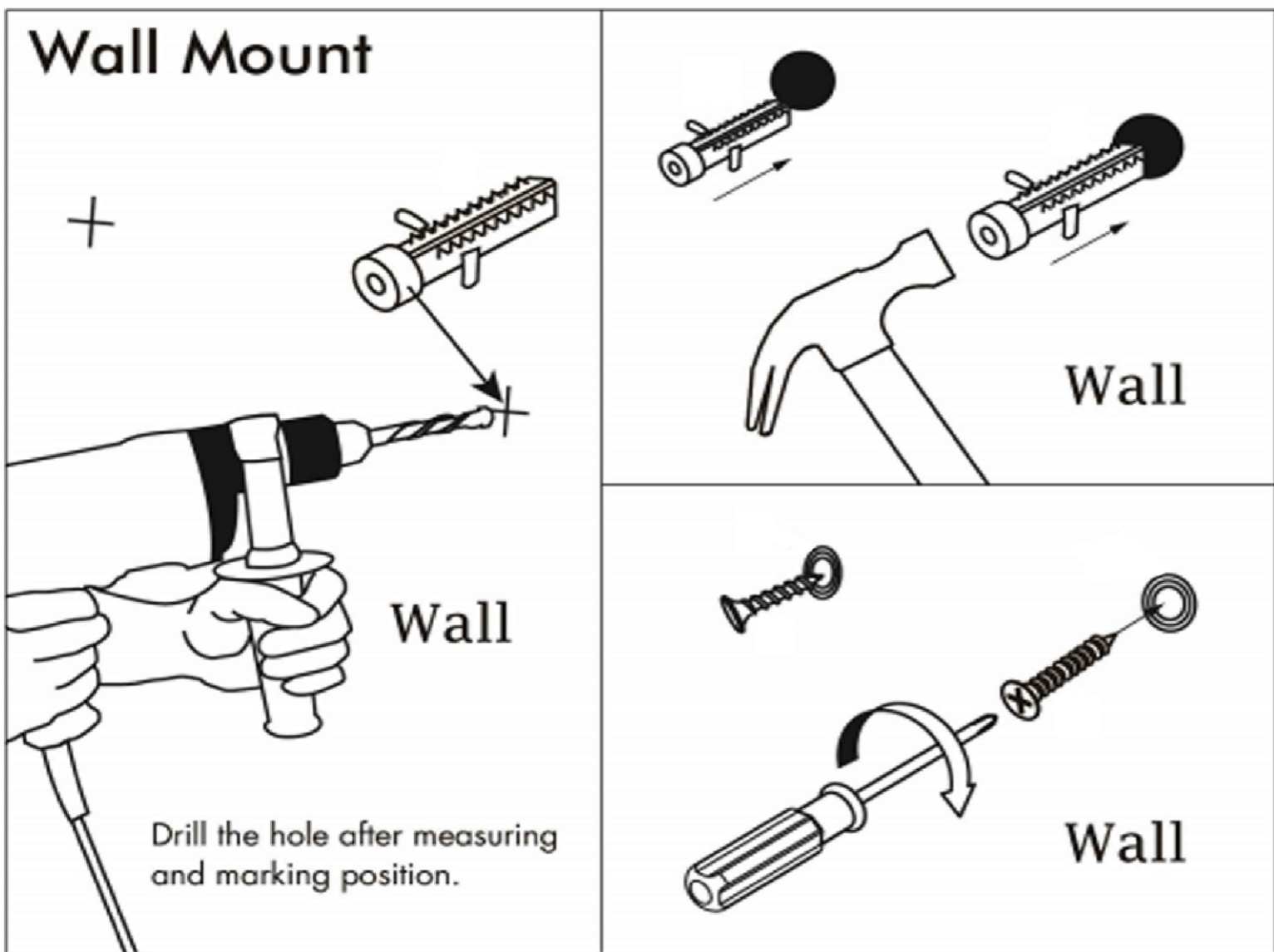
J

F

x4

x2

Step 22



Battery installation

(Tip: use 3 AA Batteries)

