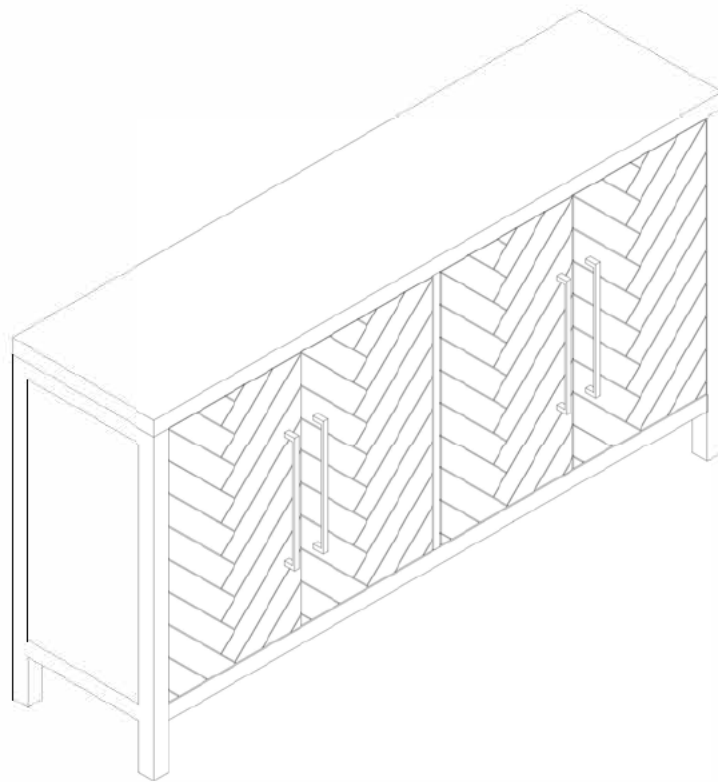
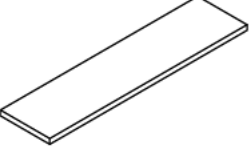

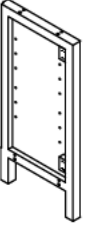
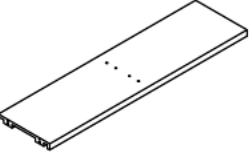

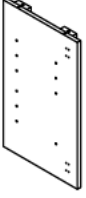



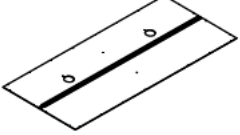















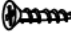




Sideboard



PART LIST

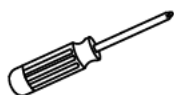
A 	B 	C 	D 	E₂ 
Top Panel 1 PC	Left Panel 1 PC	Right Panel 1 PC	Bottom Panel 1 PC	Adjustable Shelf 4 PCS
F 	G 	H 	I 	J₂ 
Middle Panel 1 PC	Left Door 2 PCS	Right Door 2 PCS	Middle Leg 1 PC	Back Panel 1 PC
K 				
Cover 2 PCS				

HARDWARE LIST

 $\phi 1/4 \times 2"$	 $\phi 1/4 \times 1-1/4"$	 $\phi 1/4"$	 $\phi 1/4 \times 16\text{mm}$	 $\phi 8 \times 30\text{mm}$
Long Bolt 4 PCS (Extra 1)	Short Bolt 8 PCS (Extra 1)	Spring Washer 12 PCS	Flat Washer 12 PCS	Wood Dowel 12 PCS (Extra 1)
 Handle 4 PCS	 $\phi 5/32 \times 25\text{mm}$ Round Head Bolt 8 PCS	 Double Magnet 2 PCS	 $\phi 3 \times 14\text{mm}$ Round Head Screw 4 PCS	 Shelf Holder 16 PCS (Extra 1)
Handle 4 PCS	Round Head Bolt 8 PCS	Double Magnet 2 PCS	Round Head Screw 4 PCS	Shelf Holder 16 PCS (Extra 1)
 $\phi 3 \times 14\text{mm}$ Screw 26 PCS (Extra 1)	 Bend Hinge 8 PCS	 $\phi 3.5 \times 14\text{mm}$ Long Screw 48 PCS (Extra 1)	 Allen Wrench 1 PC	 Safety Strap Kit 1 SET
Screw 26 PCS (Extra 1)	Bend Hinge 8 PCS	Long Screw 48 PCS (Extra 1)	Allen Wrench 1 PC	Safety Strap Kit 1 SET
 Binding Post 2 SET	 M2 Small Allen Wrench 1 PC			
Binding Post 2 SET	Small Allen Wrench 1 PC			

ADDITIONAL TOOLS (Not Provided)

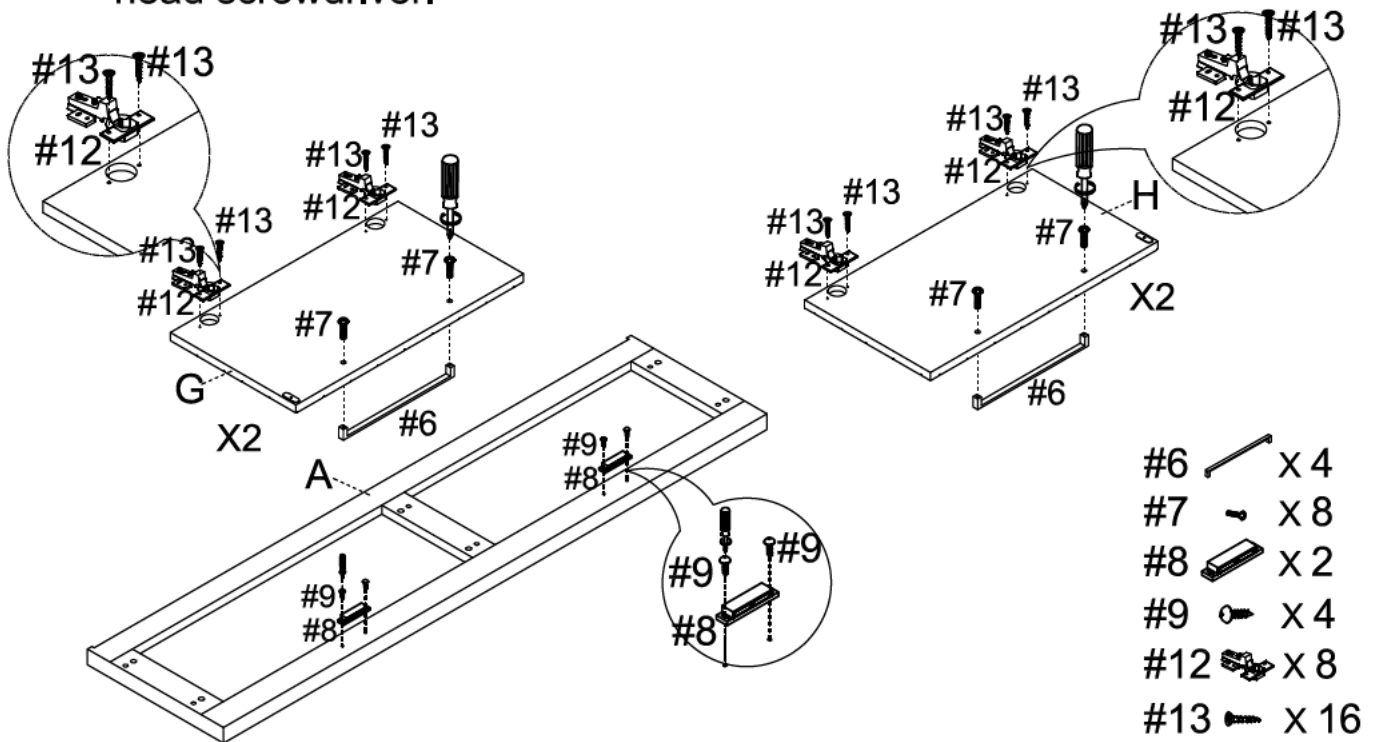
Note: It is not recommended to use power tools during assembly.



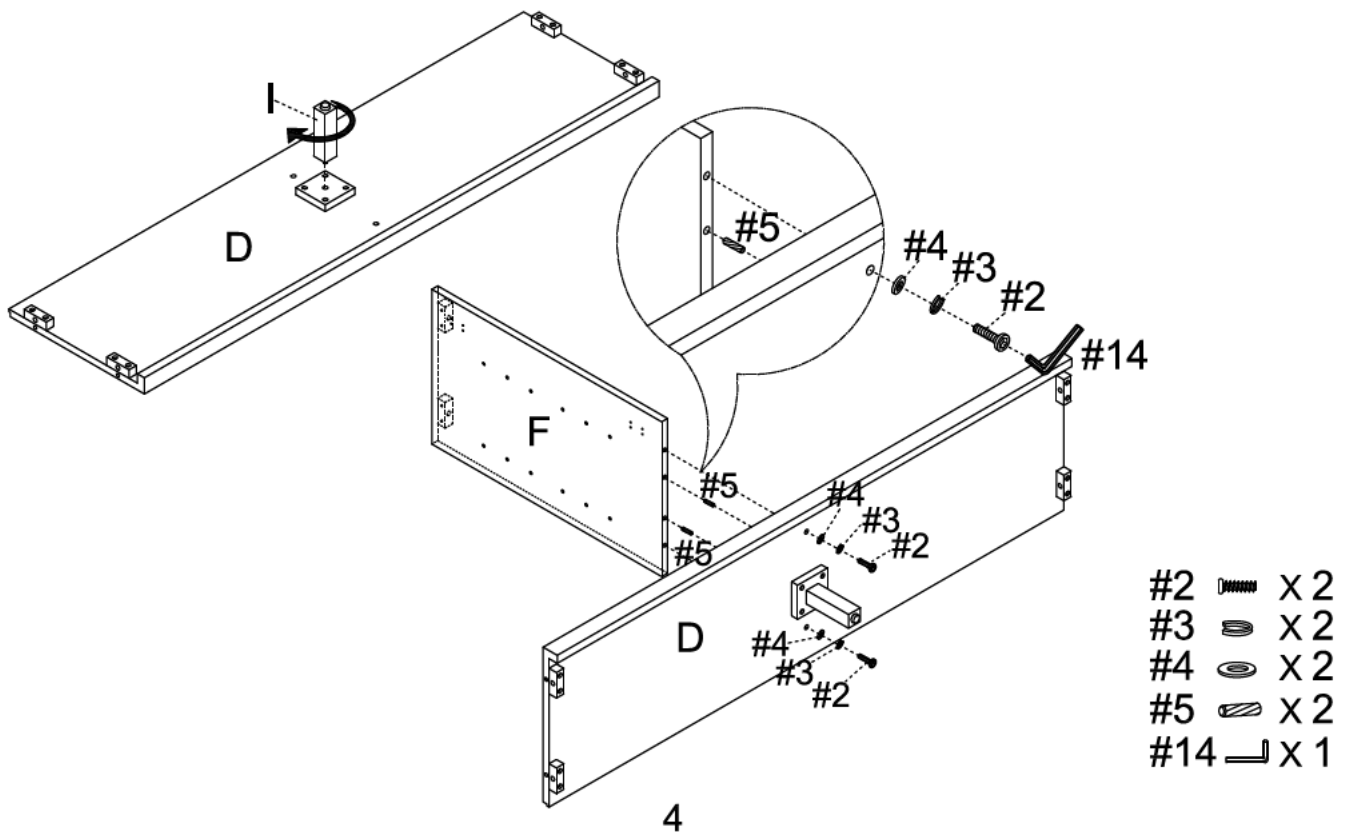
Phillips Head Screwdriver

Note: Wood dowels are intended for alignment. Additional clearance between wood dowel and pre-drilled hole is intentional for ease of assembly.

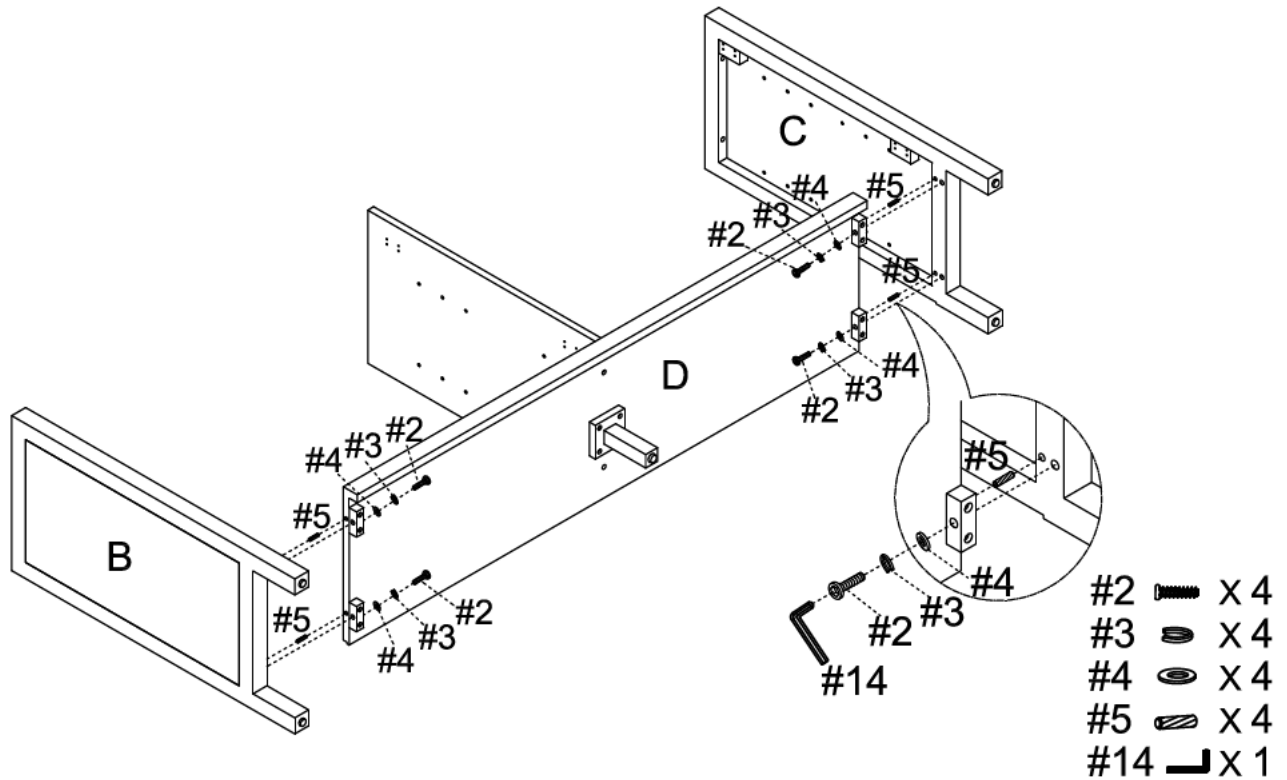
Step 1. Attach handles (part #6) to doors (parts G & H) using round head bolts (part #7) and phillips head screwdriver. Attach bend hinges (part #12) to doors (parts G & H) using long screws (part #13) and phillips head screwdriver. Attach double magnets (part #8) to top panel (part A) using round head screws (part #9) and phillips head screwdriver.



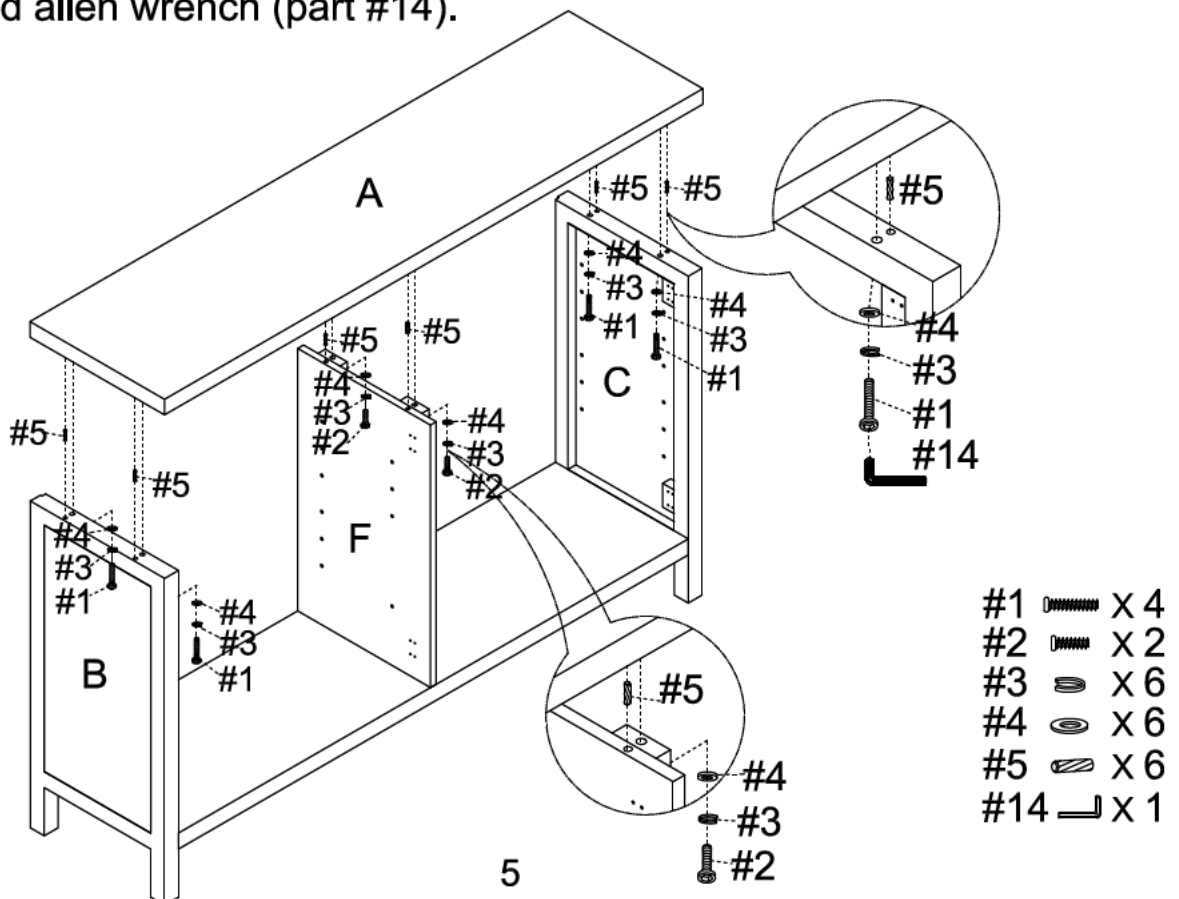
Step 2. Attach middle leg (part I) to bottom panel (part D) rotate to secure. Attach middle panel (part F) to bottom panel (part D) using wood dowels (part #5), short bolts (part #2), spring washers (part #3), flat washers (part #4) and allen wrench (part #14).



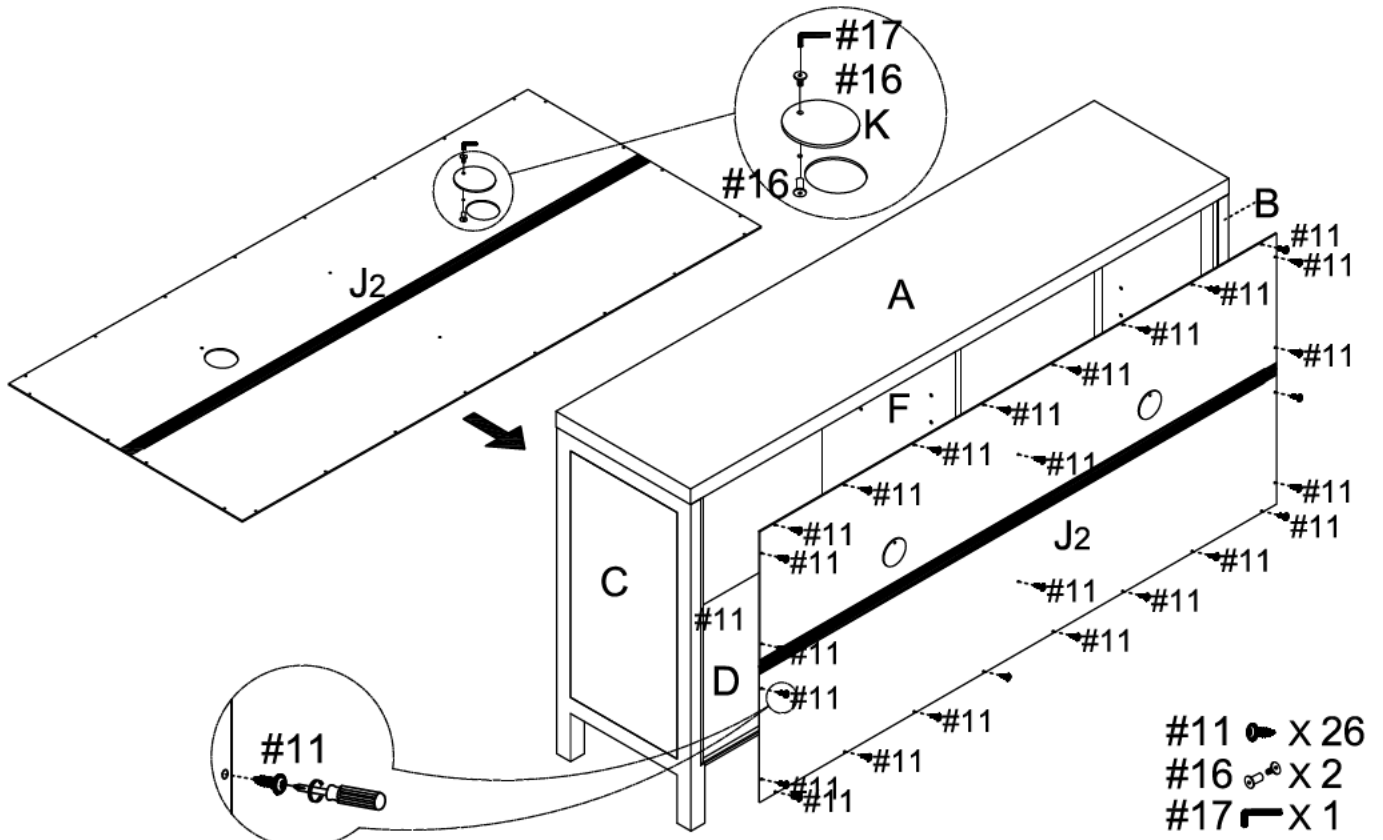
Step 3. Attach panels (parts B & C) to bottom panel (part D) using wood dowels (part #5), short bolts (part #2), spring washers (part #3), flat washers (part #4) and allen wrench (part #14).



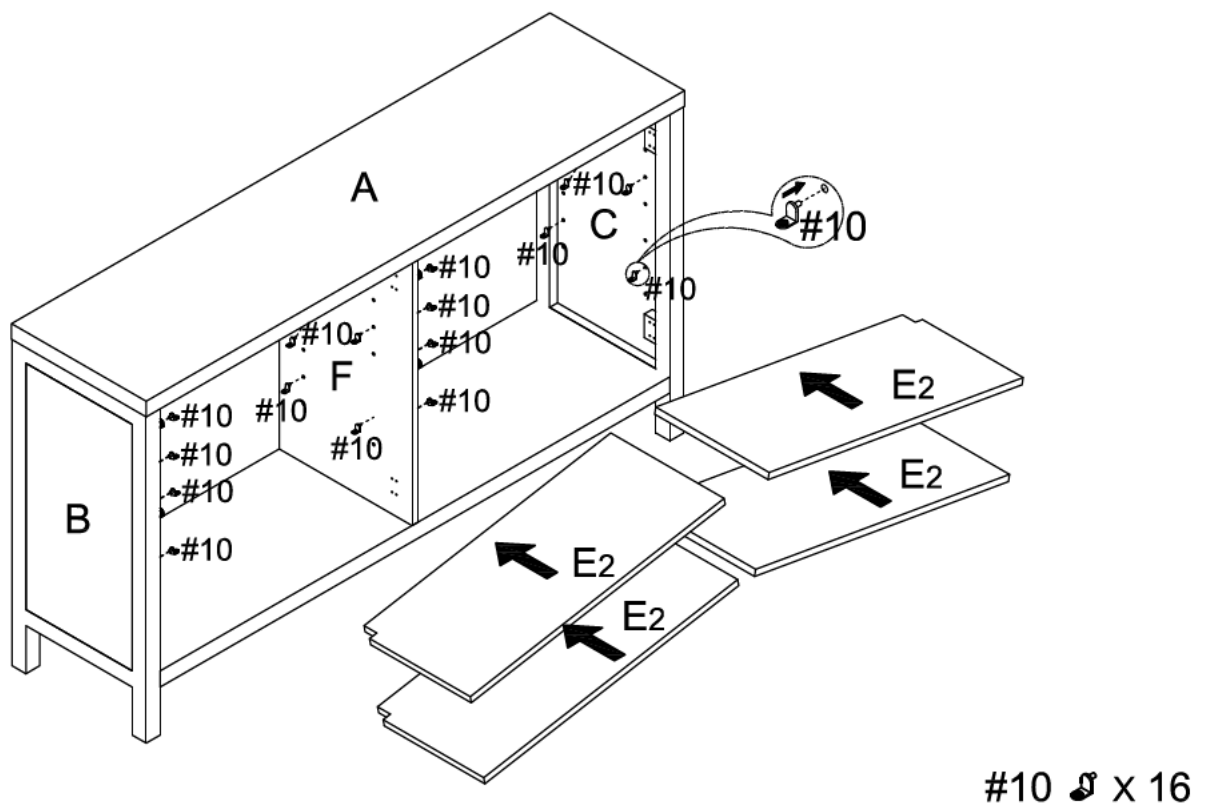
Step 4. Carefully turn unit upright. Attach top panel (part A) to assembled unit (parts B, C & F) using wood dowels (part #5), long bolts (part #1), short bolts (part #2), spring washers (part #3), flat washers (part #4) and allen wrench (part #14).



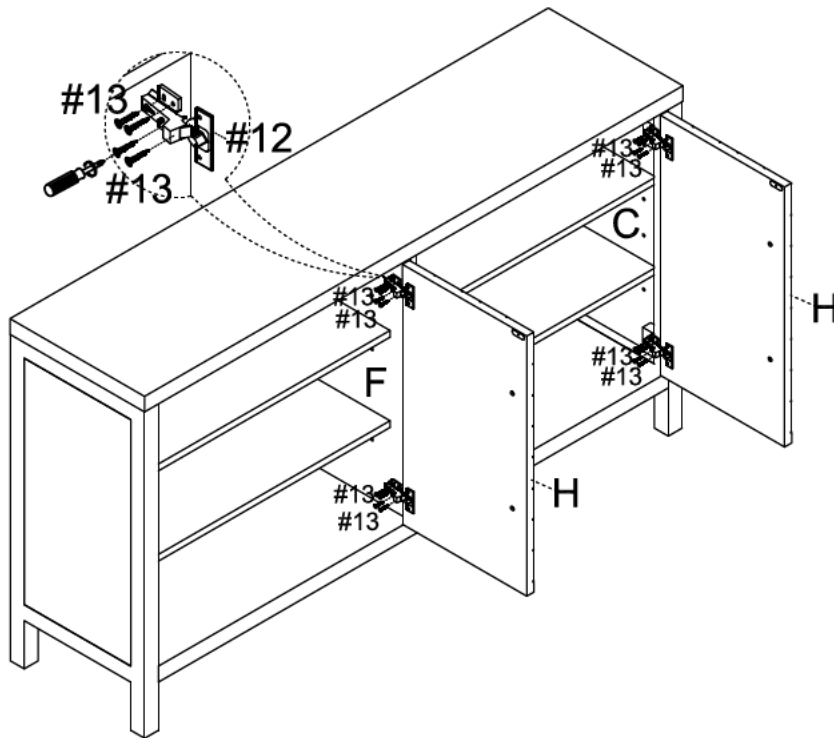
Step 5. Attach cover (part K) to back panel (part J2) using binding posts (part #16) and small allen wrench (part #17).
 Attach back panel (part J2) to assembled unit (parts A, B, C, D & F) using screws (part #11) and phillips head screwdriver.



Step 6. Place shelf holders (part #10) into desired position and slide adjustable shelves (part E2) into place.



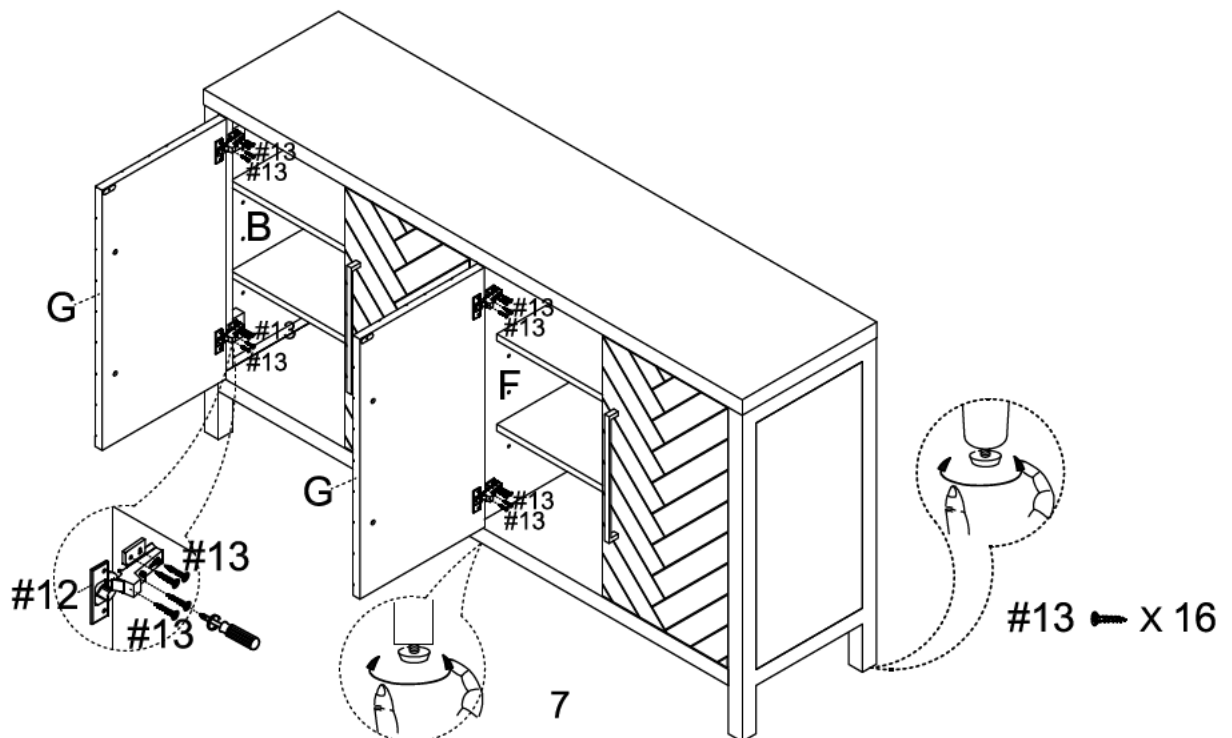
Step 7. Attach right doors (part H) to panels (parts C & F) using long screws (part #13) and phillips head screwdriver.









Step 8. Attach left doors (part G) to panels (parts B & F) using long screws (part #13) and phillips head screwdriver.

Note: It is important to adjust levelers once fully assembled and upright. Extend adjustable leveler until it's firmly in contact with the floor. If relocating, adjust leveler as needed until it's firmly in contact with the floor in new location.

Important: Safety strap kit (part #15) must be installed to prevent tipping, damage and/or injury.



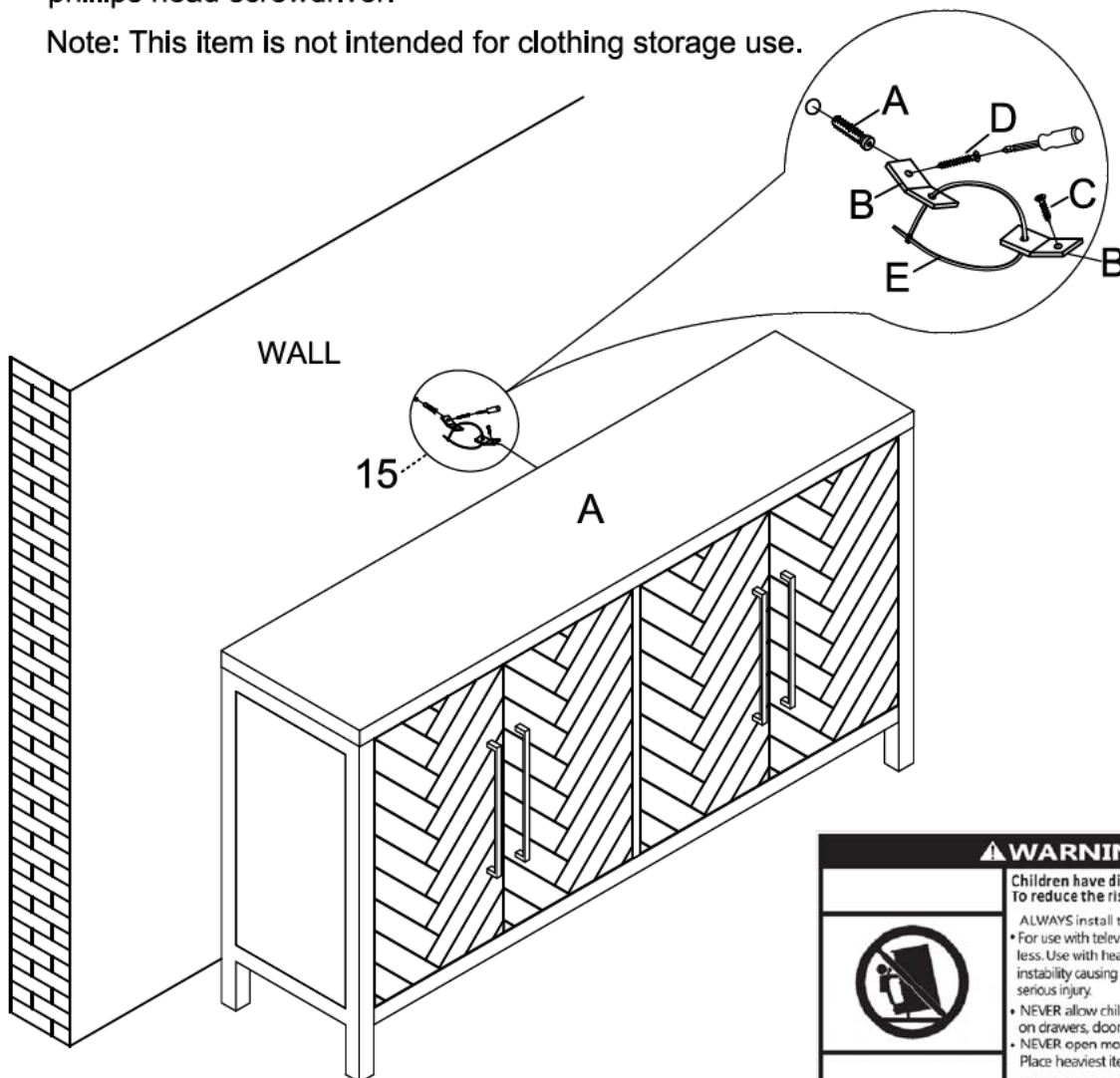
#15	A	B	C	D	E
					
Safety Strap Kit 1 SET	Wall Anchor 1 PC	Bracket 2 PCS	5/8"x ϕ 3xD8 Short Screw 1 PC	1-1/2"x ϕ 4xD8 Long Screw 1 PC	Safety Wall Strap 1 PC

SAFETY WALL STRAP INSTALLATION

Note: It is highly recommended to install this safety strap kit to prevent tipping, damage and/or injury.

1. Insert short screw (C) and safety wall strap (E) through bracket (B) and attach to top panel (part A) using phillips head screwdriver.
2. Drill a 11/32" hole where you want to secure the unit. The drilled hole will be at the same height as the hole in top panel (part A) where bracket (B) is attached. Tap wall anchor (A) into the hole.
3. Insert long screw (D) and safety wall strap (E) through bracket (B) into wall anchor (A) using phillips head screwdriver.

Note: This item is not intended for clothing storage use.

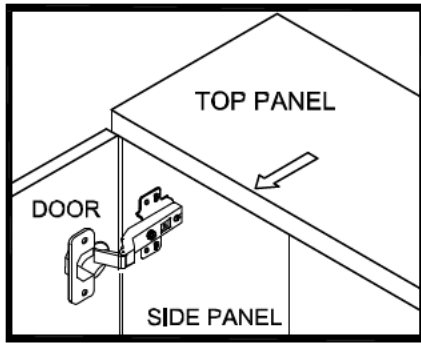


⚠ WARNING	
	Children have died from furniture tipover. To reduce the risk of furniture tipover:
	ALWAYS install tipover restraint provided.
	<ul style="list-style-type: none"> • For use with televisions weighing 50lbs(23kg) or less. Use with heavier televisions may result in instability causing tip-over resulting in death or serious injury. • NEVER allow children to stand, climb or hang on drawers, doors, or shelves. • NEVER open more than one drawer at a time. Place heaviest items in the lowest drawers.
<i>This is a permanent label. Do not remove!</i>	

ADJUST YOUR DOORS TO MAKE THE GAPS MORE EVEN (OPTIONAL).

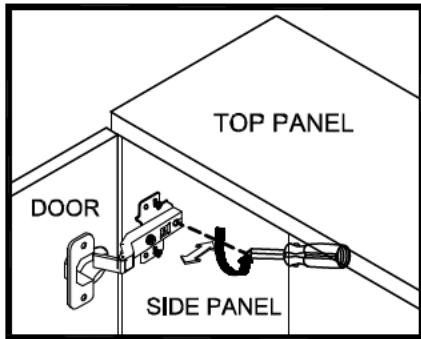
STEP 1

Open the door



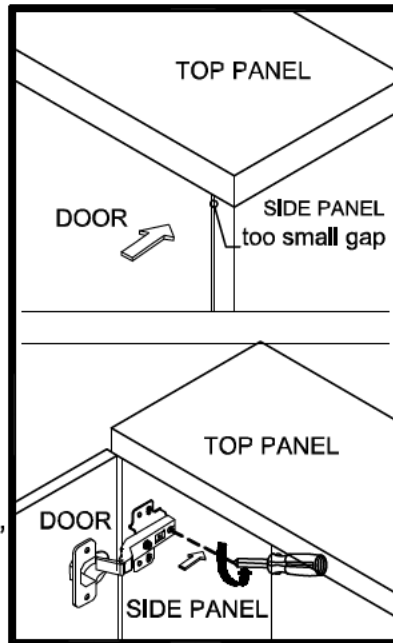
STEP 2

Adjust the gap between door panel and side panel



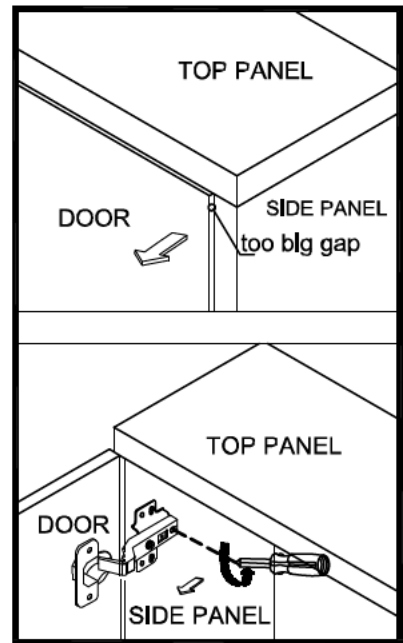
Loosen the screw indicated a little, adjust the hinge to right position (see step 2a & 2b), then tighten the screw.

STEP 2a MOVE DOOR IN



Push the hinge back a little.

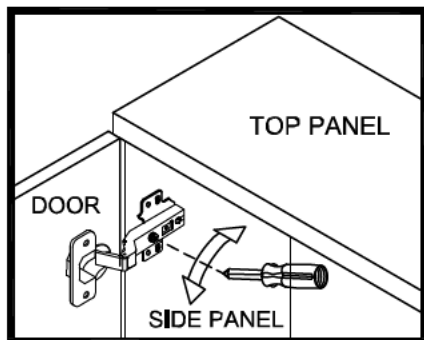
STEP 2b MOVE DOOR OUT



Pull the hinge forward a little.

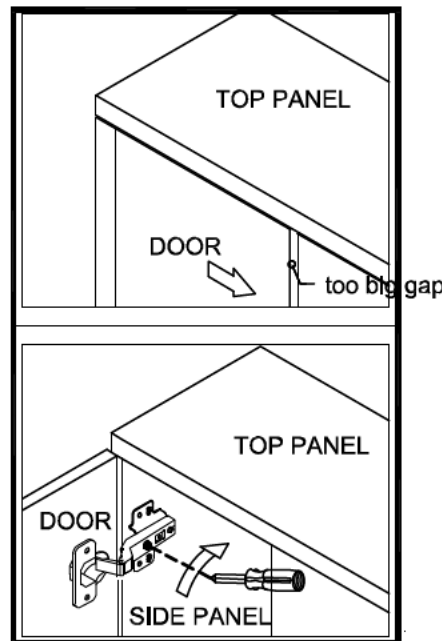
STEP 3

To adjust the gap between two door



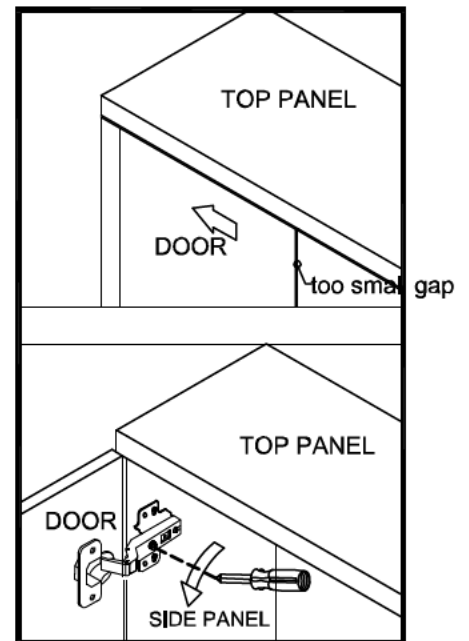
Loosen or tighten the screw indicated a little to adjust the gap between doors panels (see step 3a & step 3b)

STEP 3a MOVE DOOR RIGHT



Turn the screw clockwise a little as shown to make the gap small.

STEP 3b MOVE DOOR LEFT



Turn the screw counterclockwise a little as shown to make the gap big.