


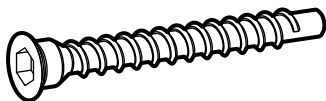


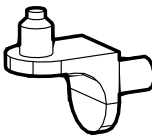
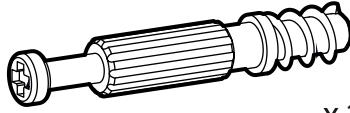
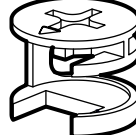
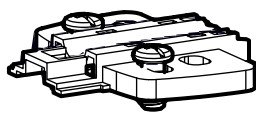
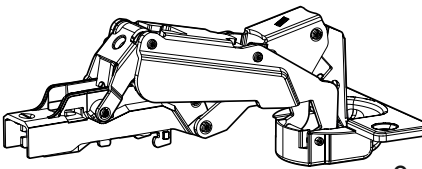
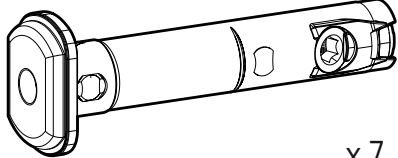
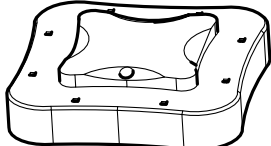
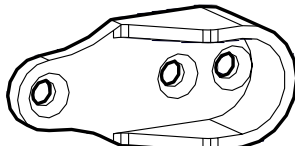
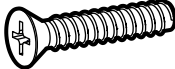
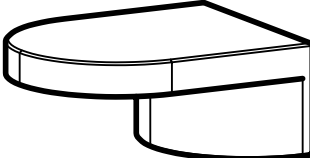
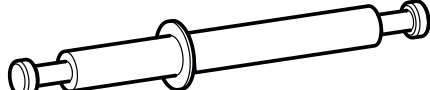
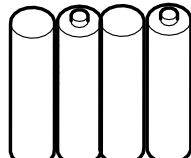
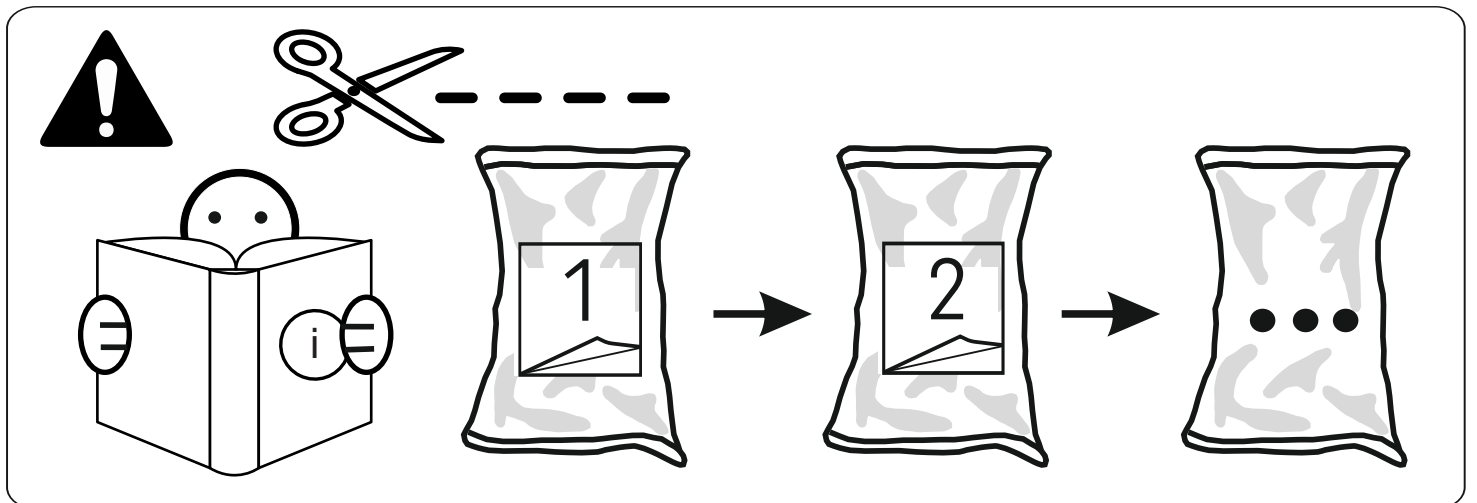
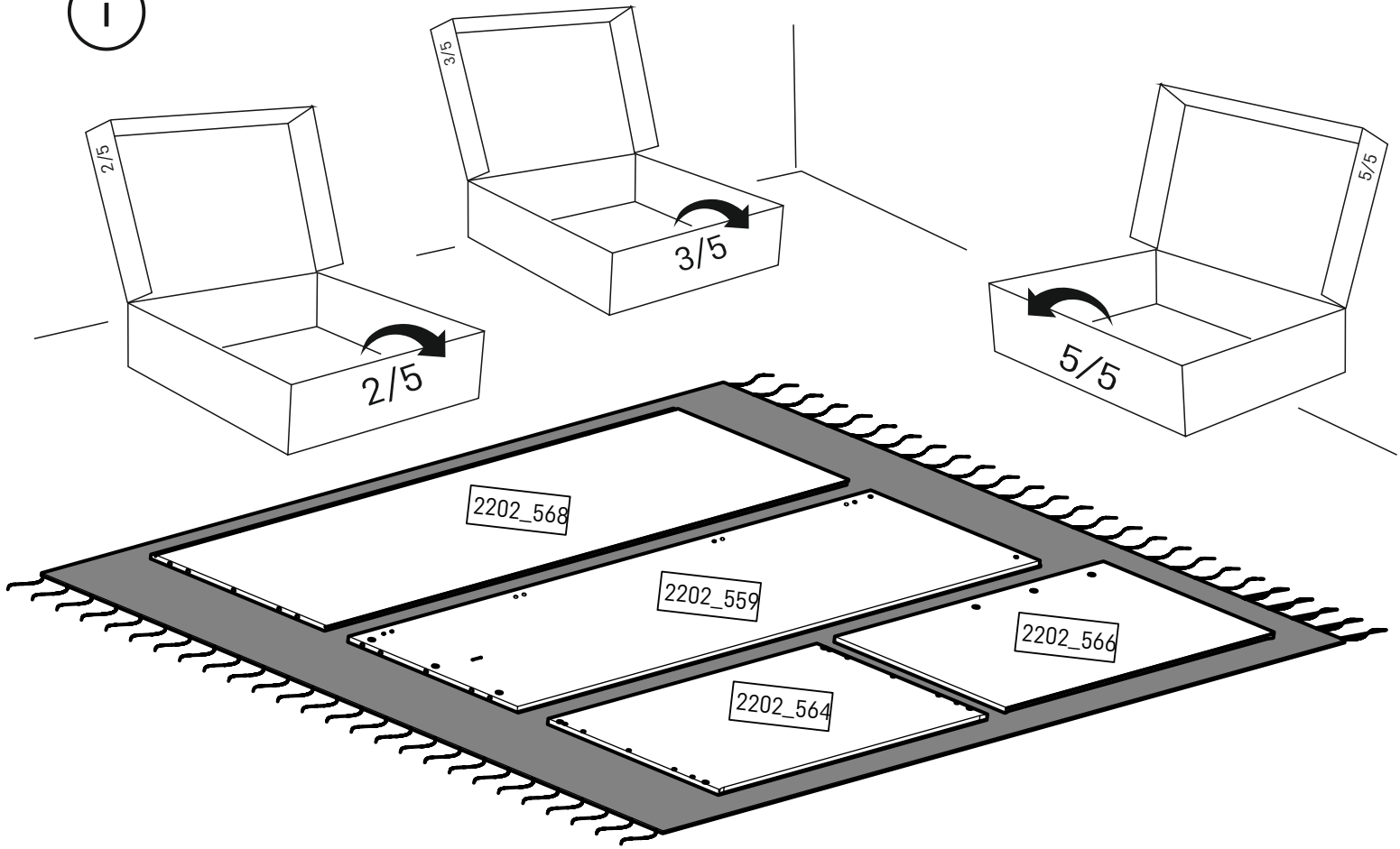


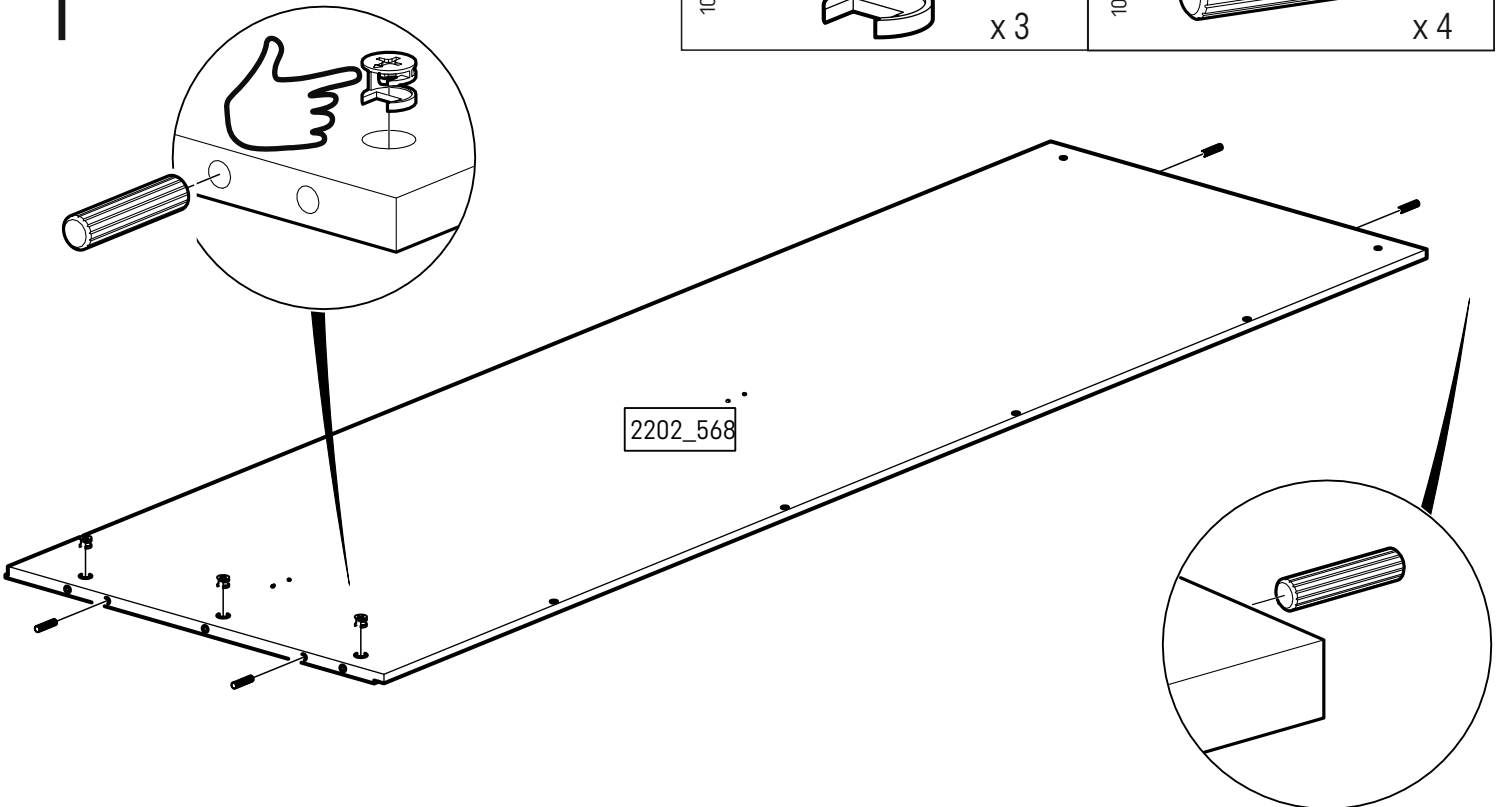
1000806  x 1	1005857  x 20	1000893  x 1
1005876  x 15	1006012  x 86	1005681  x 16
1001262  x 16	1006091  x 11	1005990  x 23
1003526  x 8	1121276  x 8	1104123  x 7
1104157  x 1	1000783  x 4	1005590  x 2
1121251  x 1	1005581  x 6	1105204  x 1



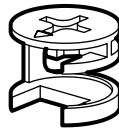
i



1



1005990



x 3

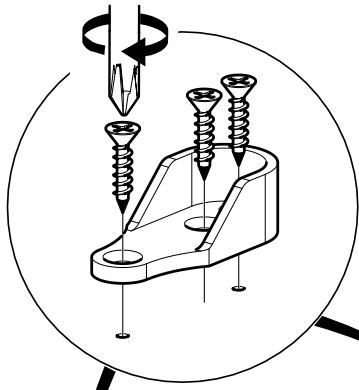
1005857


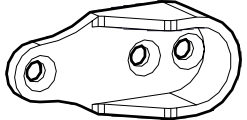


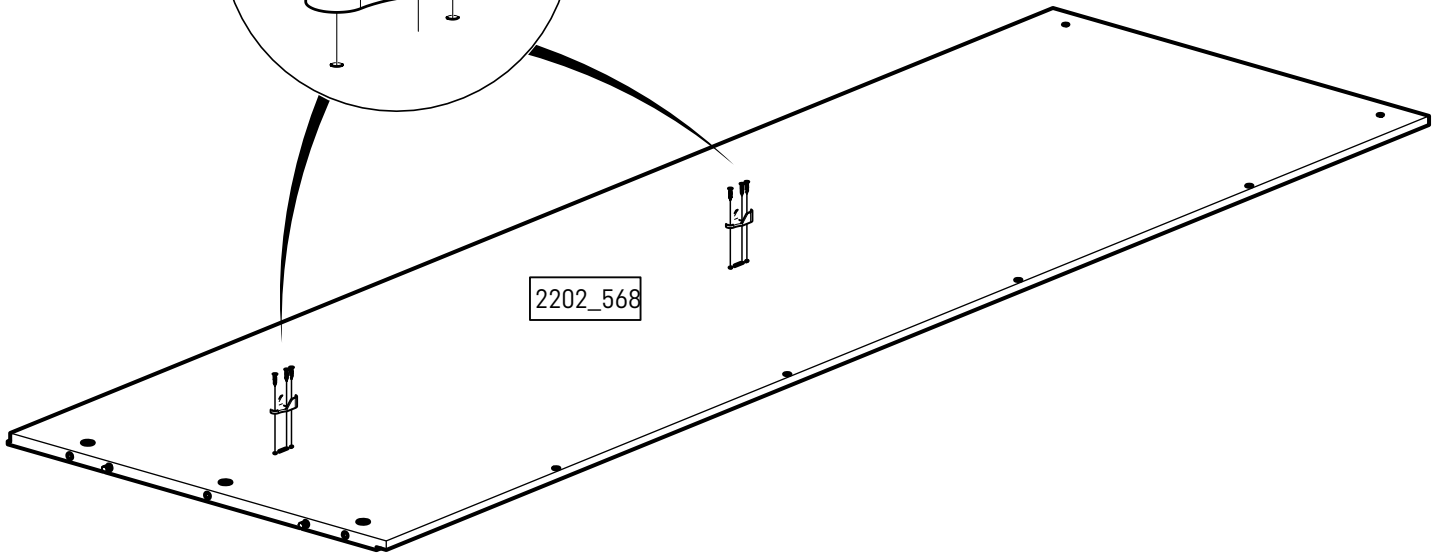
x 4

1

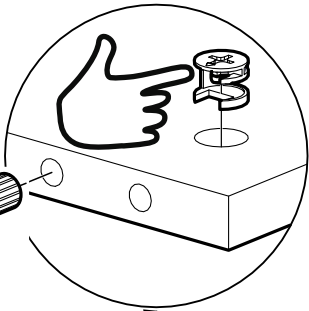
2

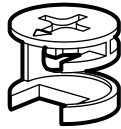
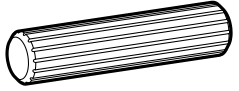


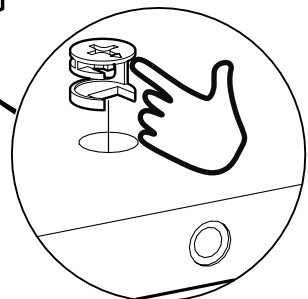
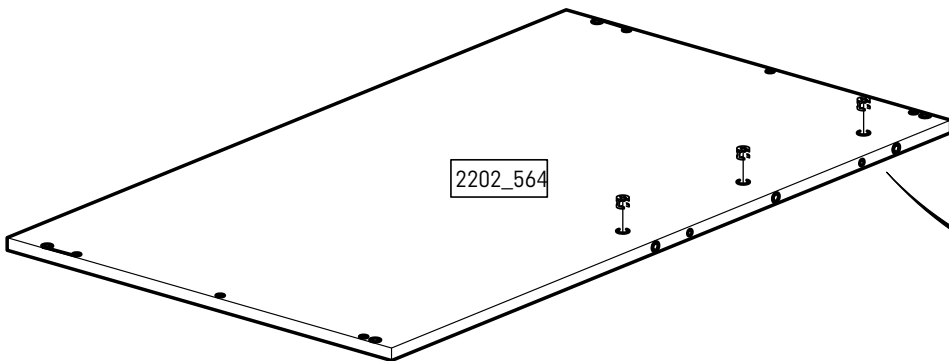
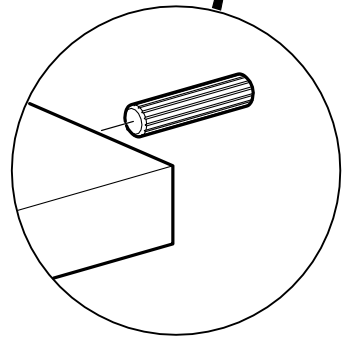
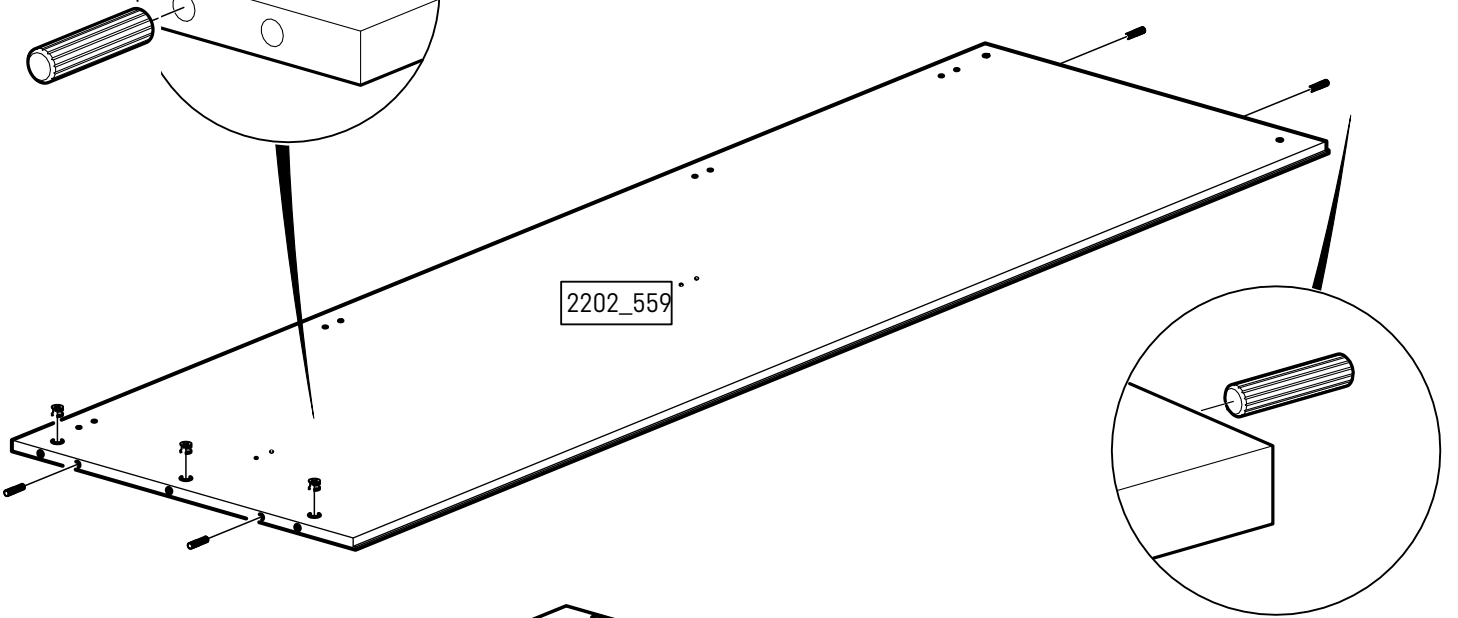
<p>1006012</p>  <p>x 6</p>	<p>1000783</p>  <p>x 2</p>
---	--



3

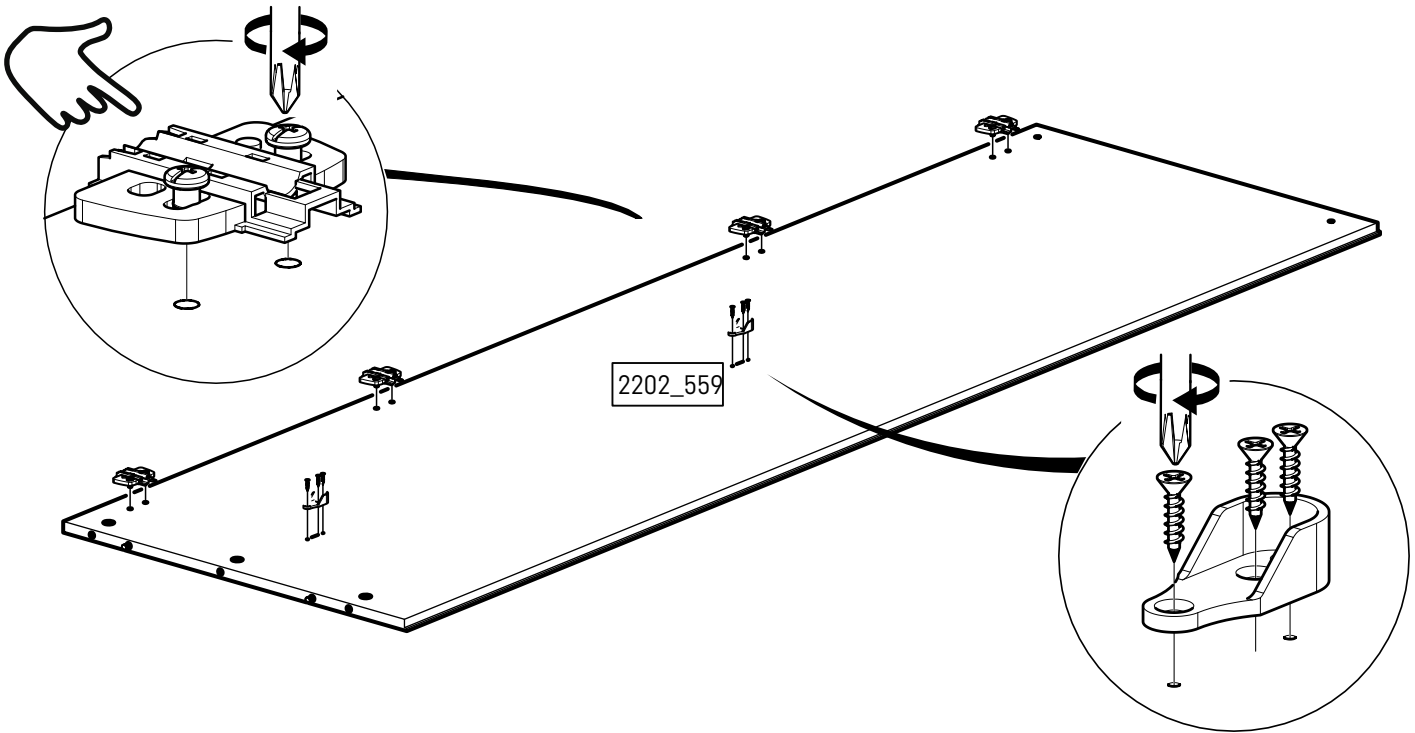
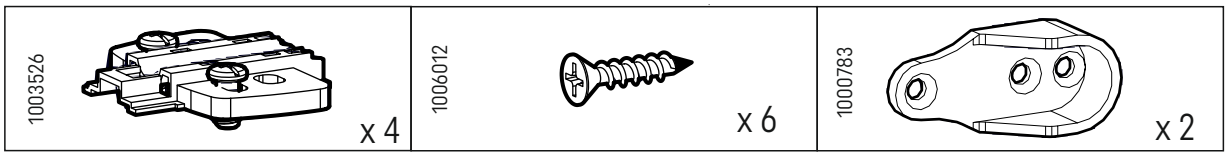


<p>1005990</p>  <p>x 6</p>	<p>1006857</p>  <p>x 4</p>
--	--

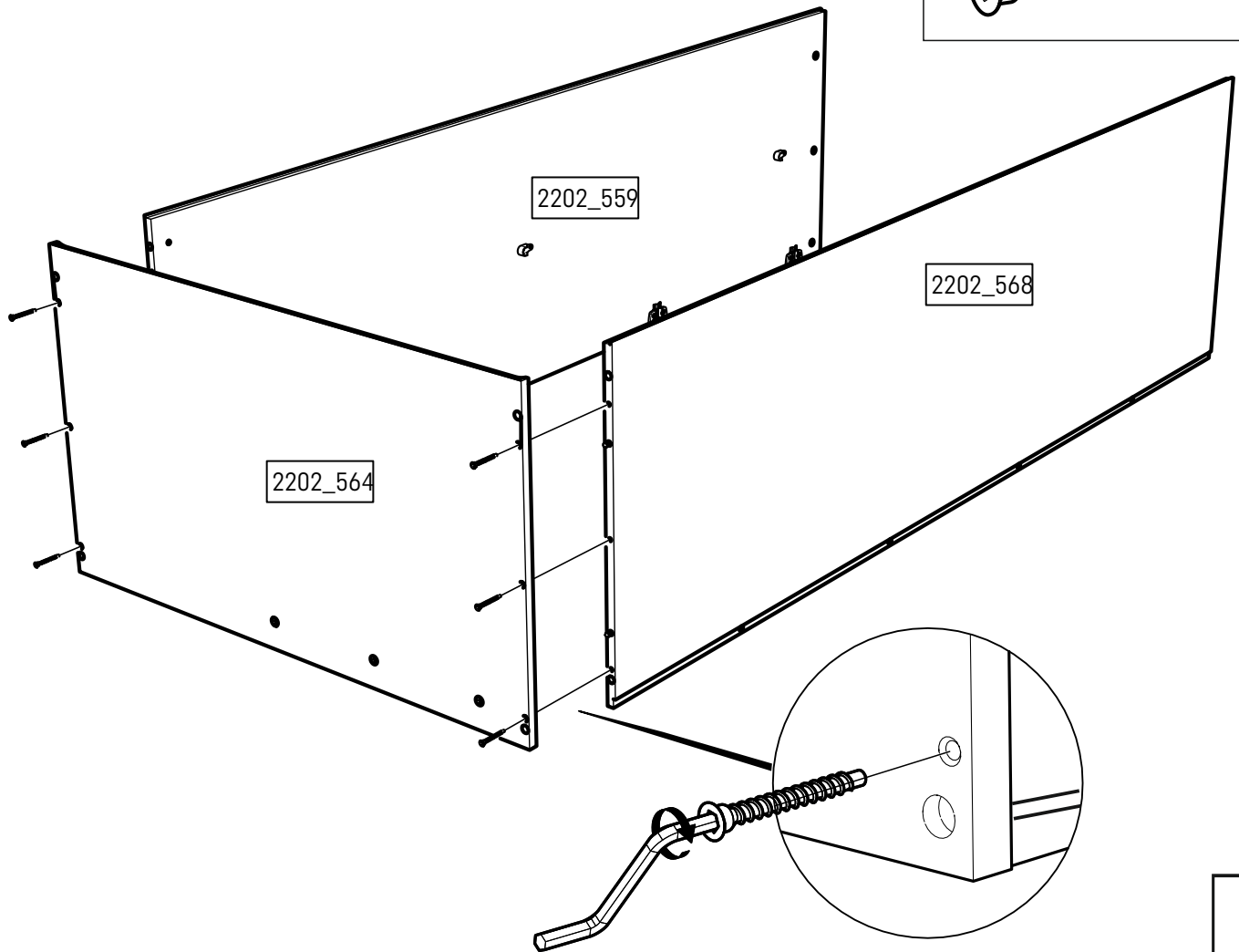
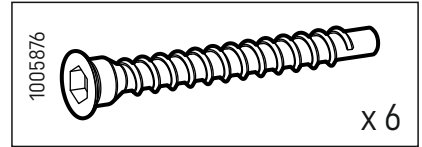


2

4

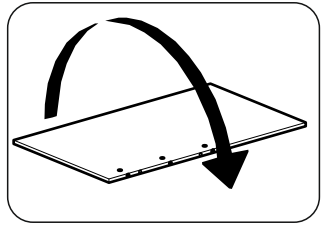
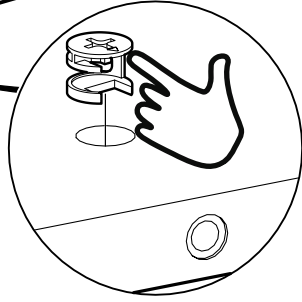
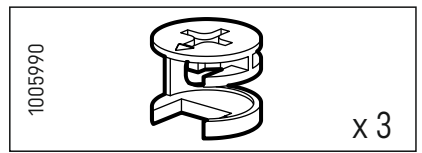
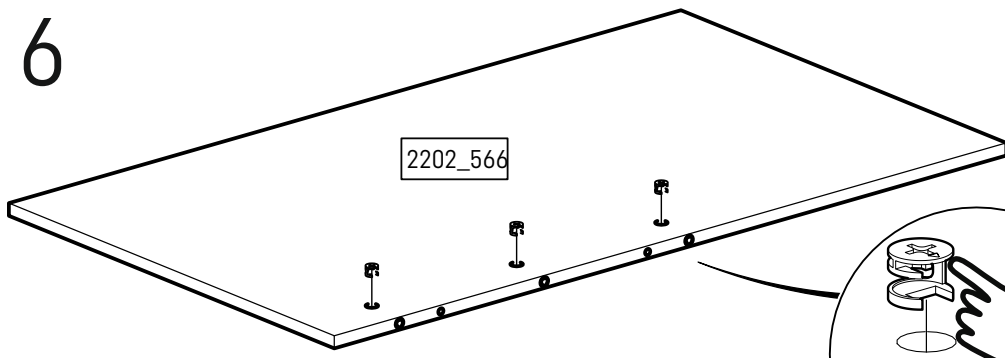


5

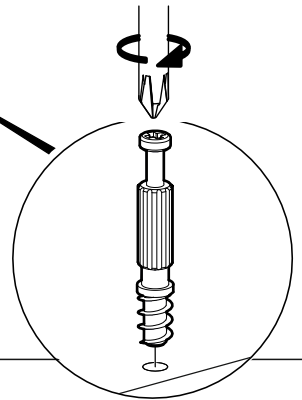
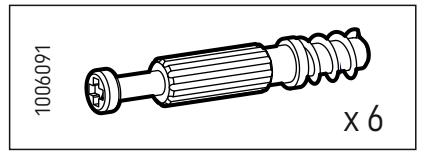
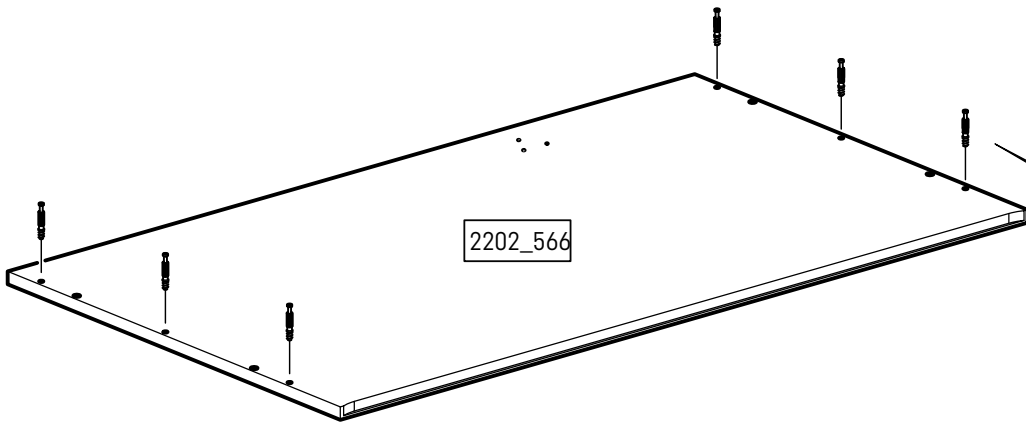


3

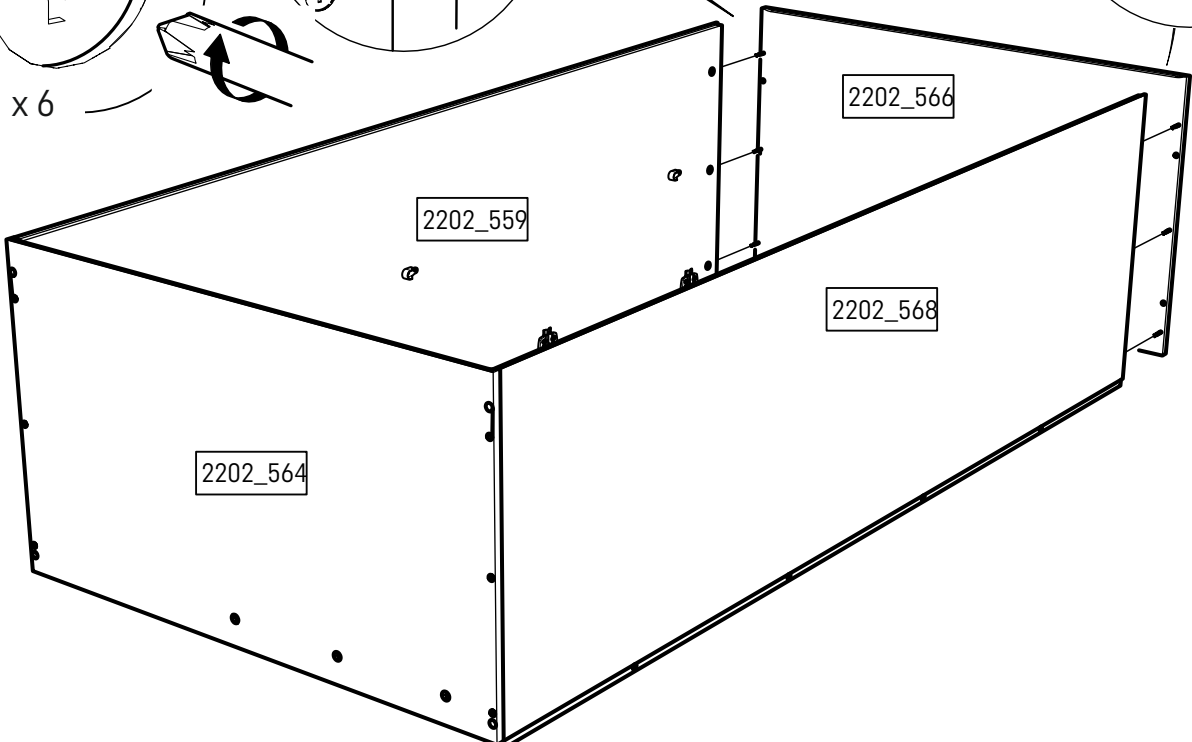
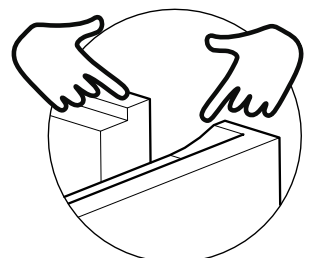
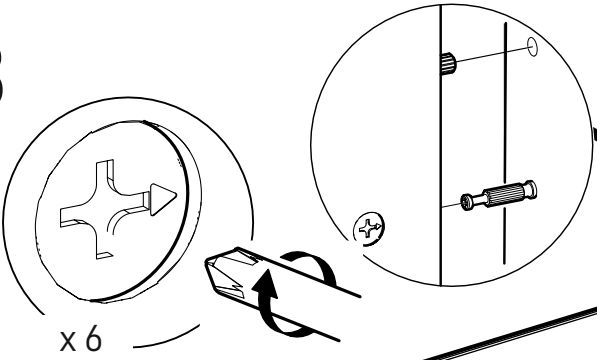
6



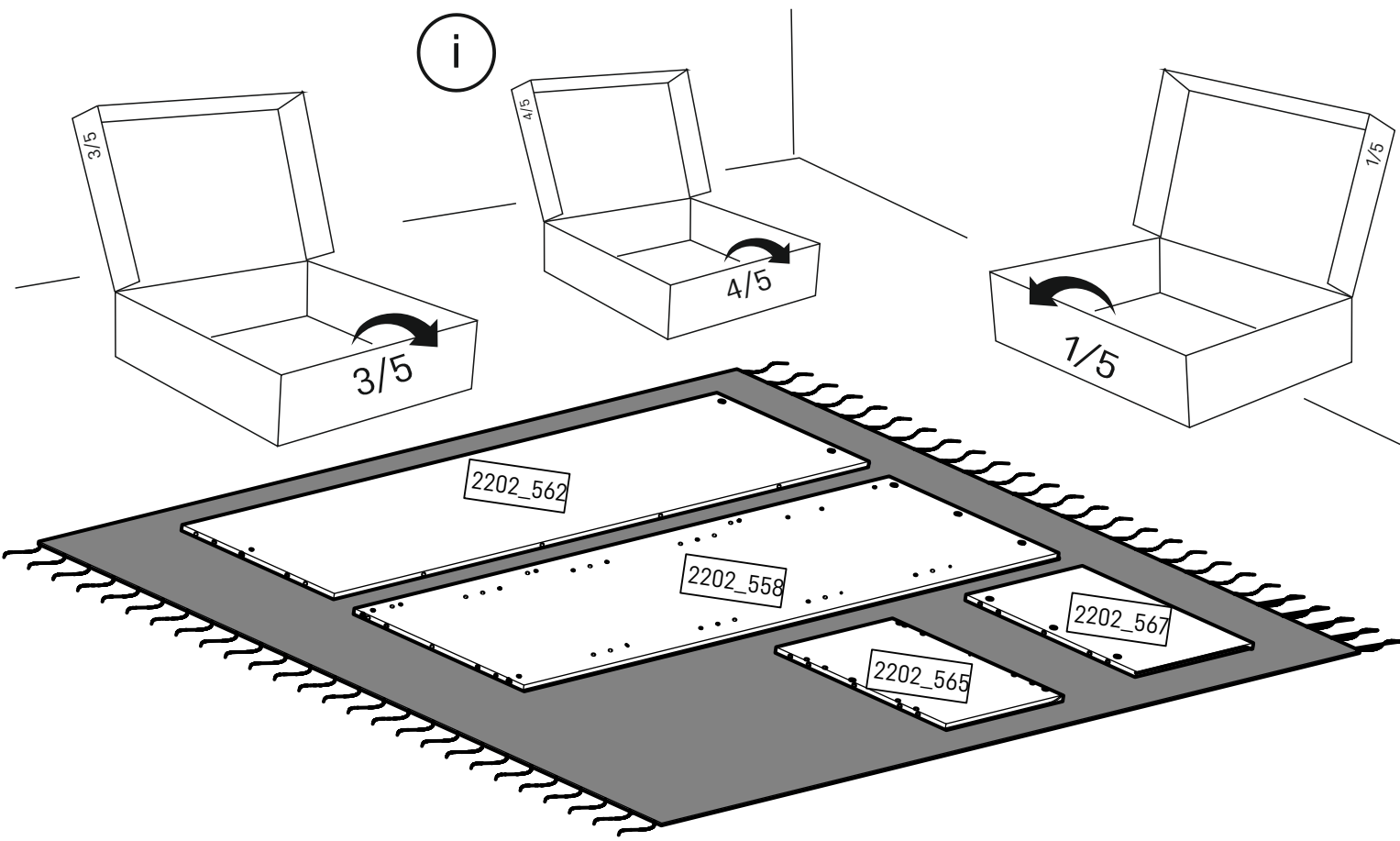
7



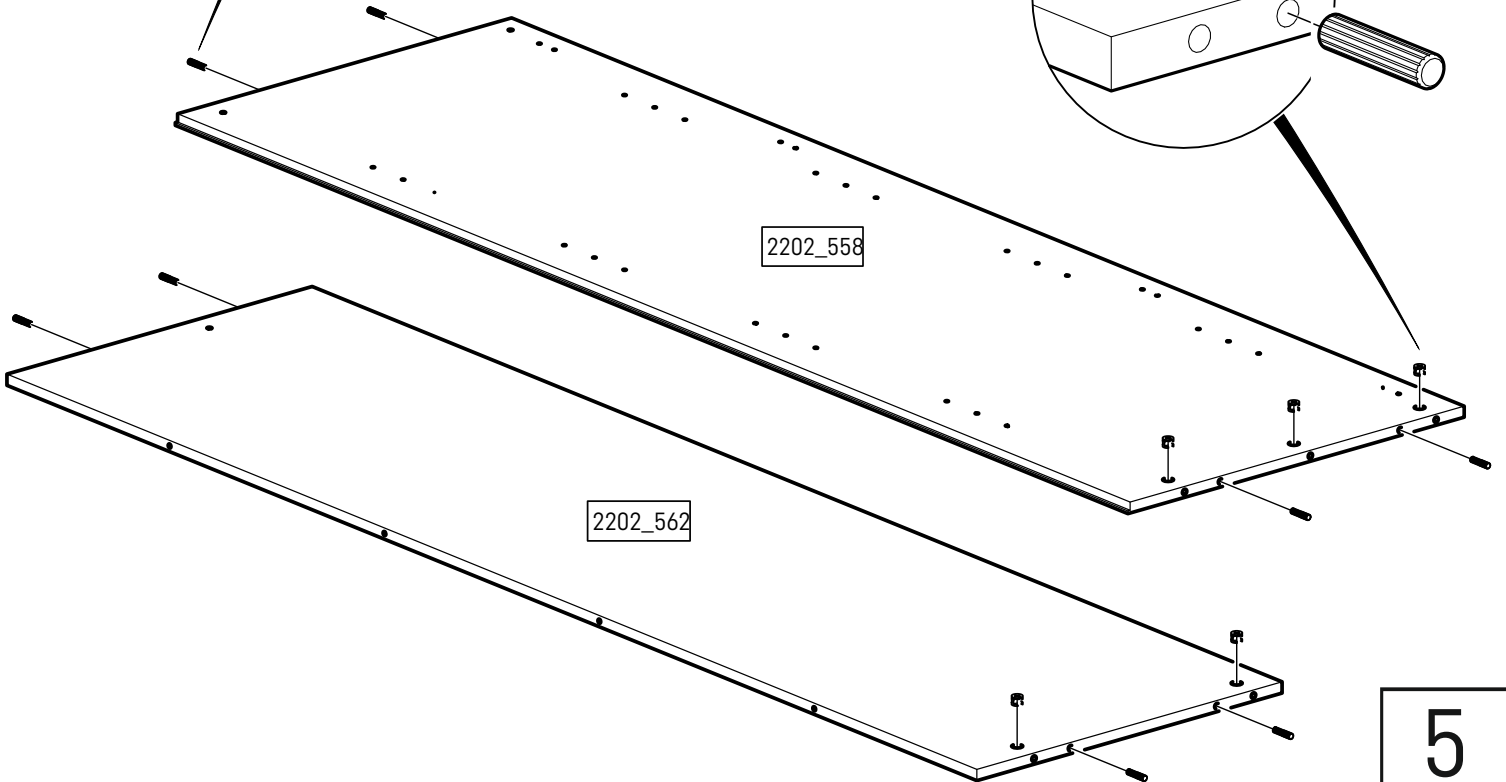
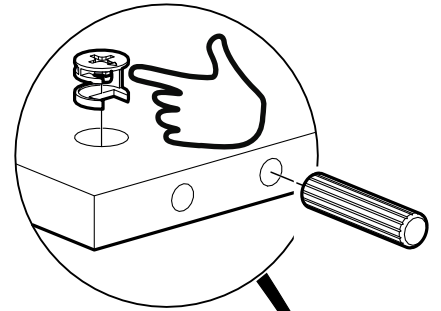
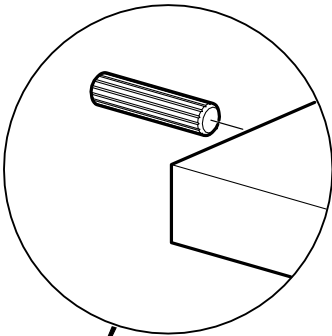
8



i

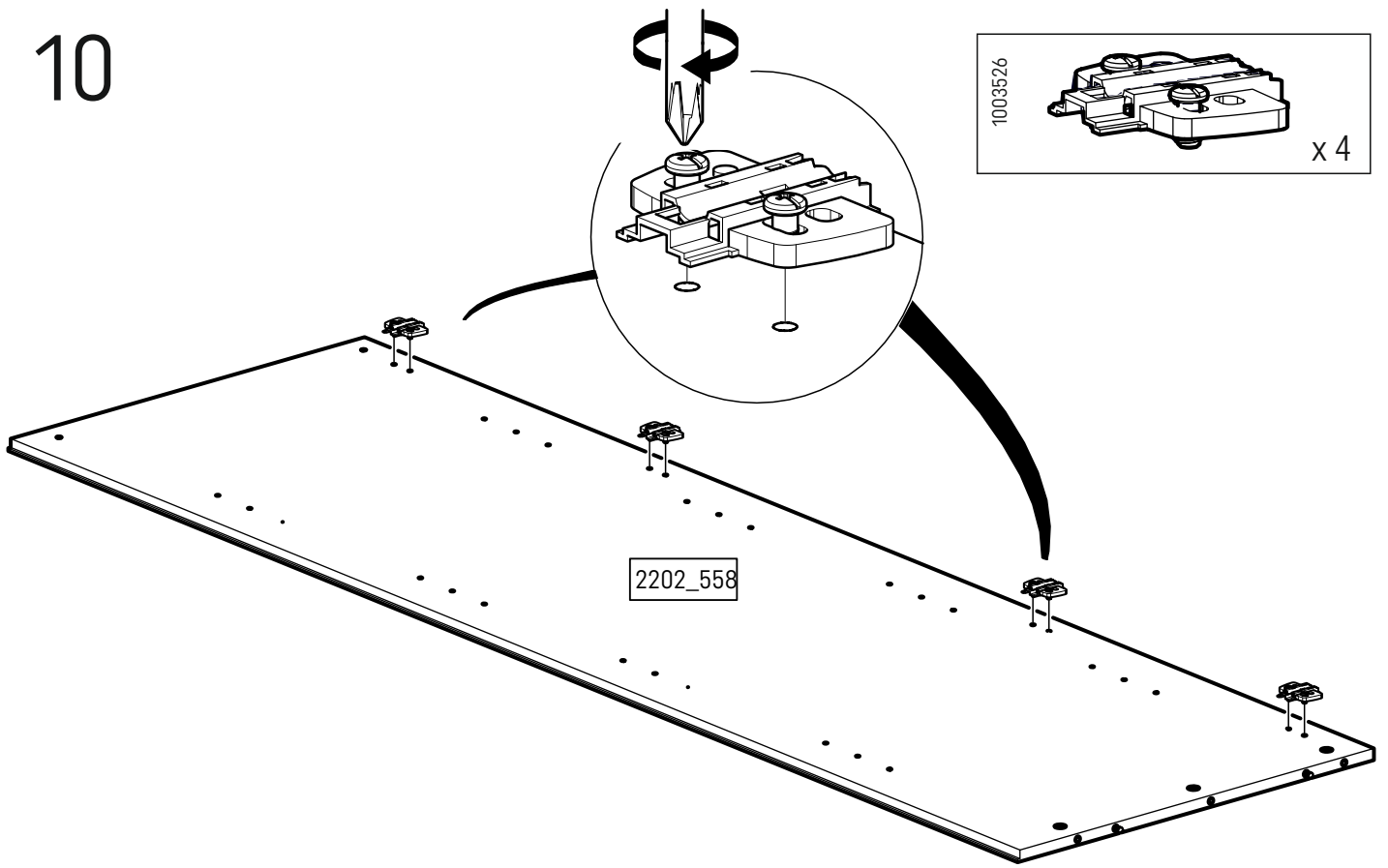


9

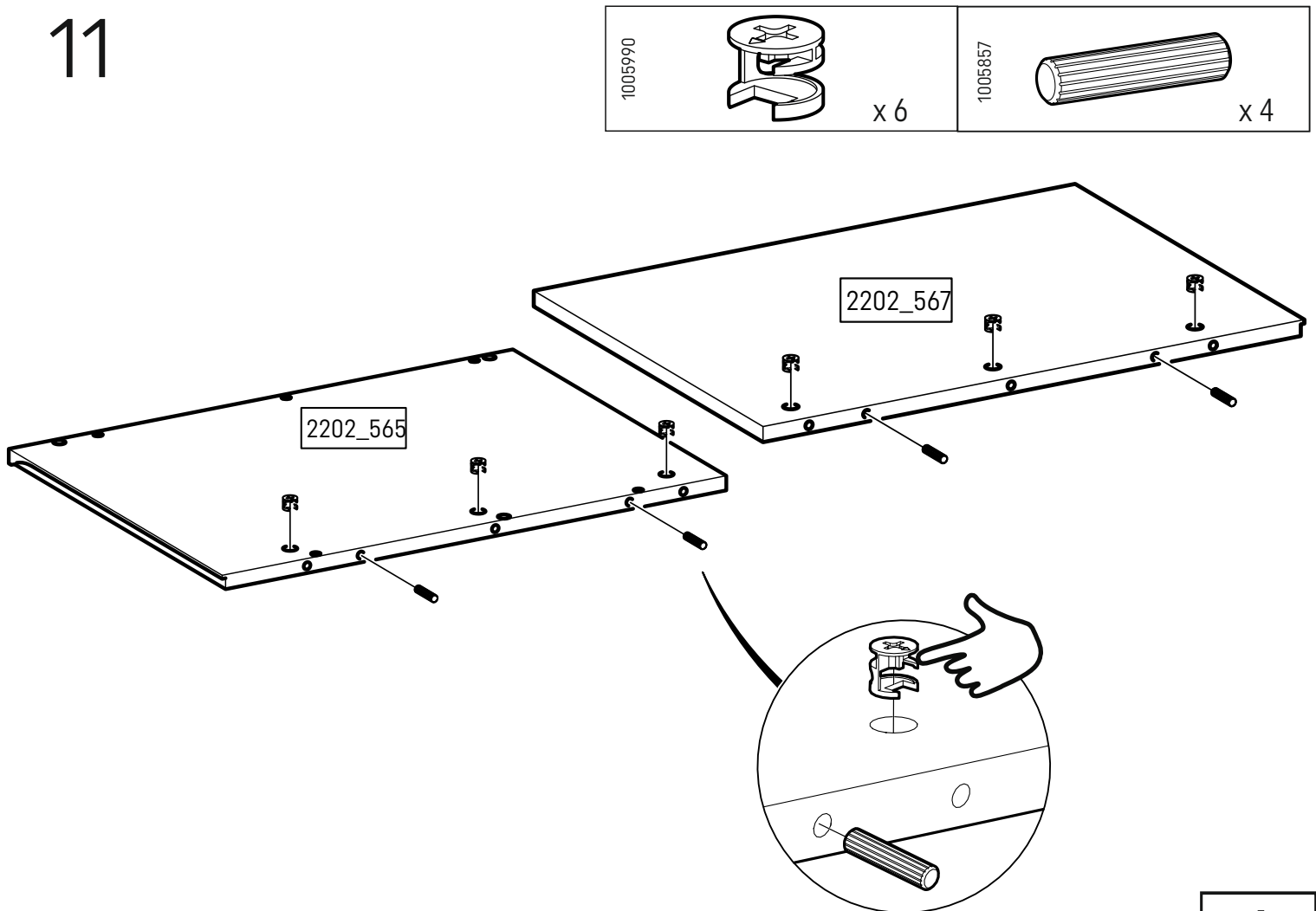


5

10

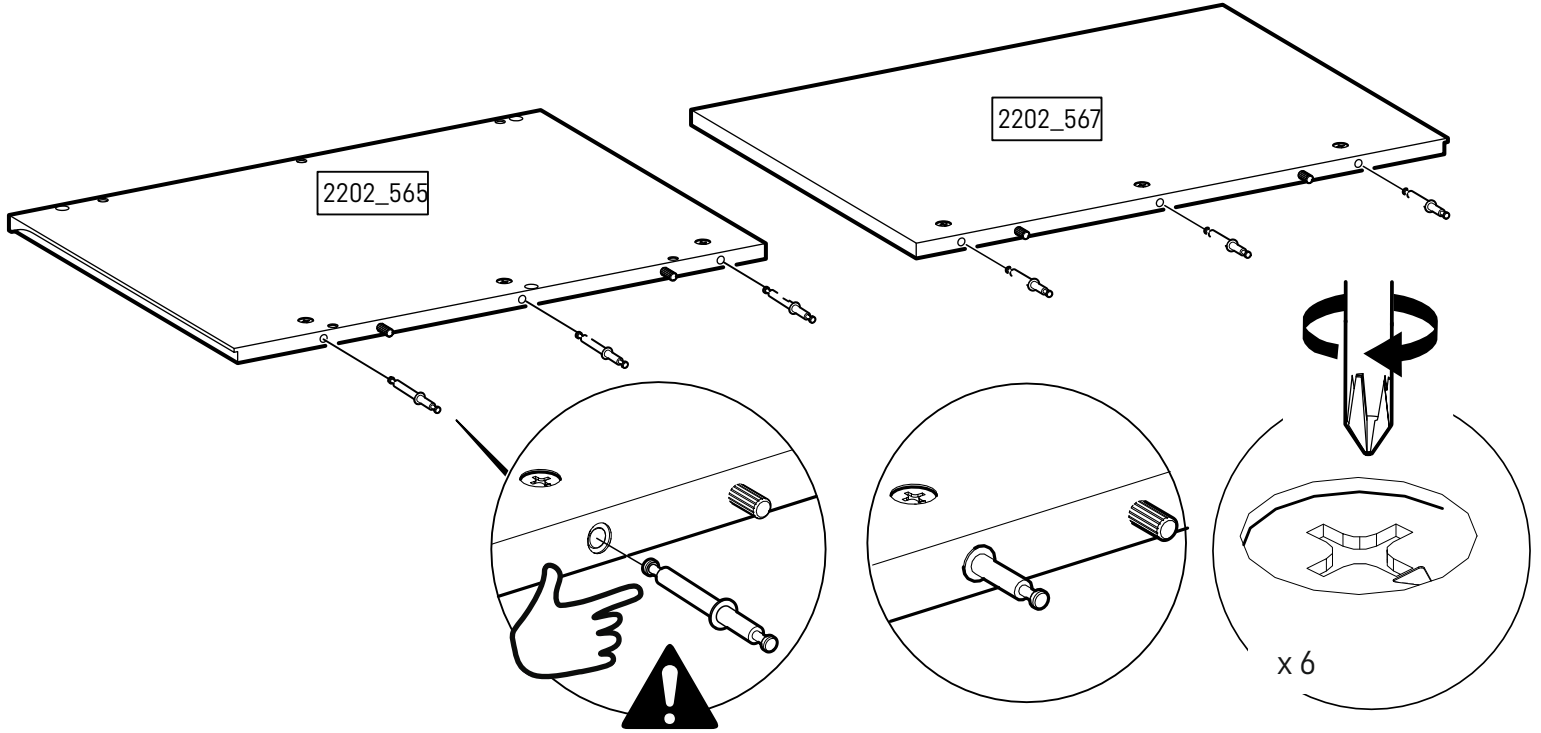
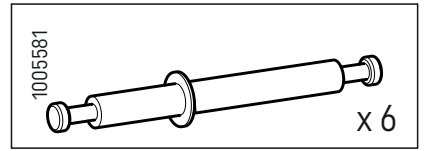


11

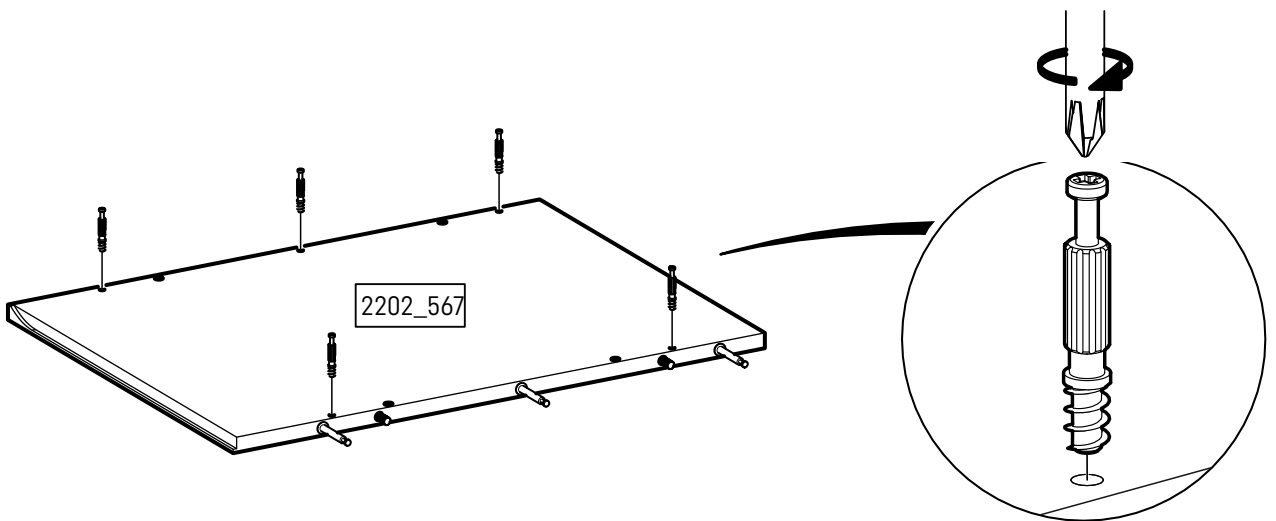
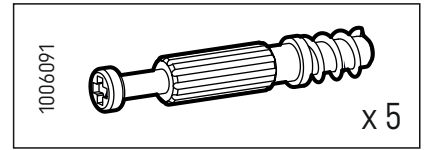
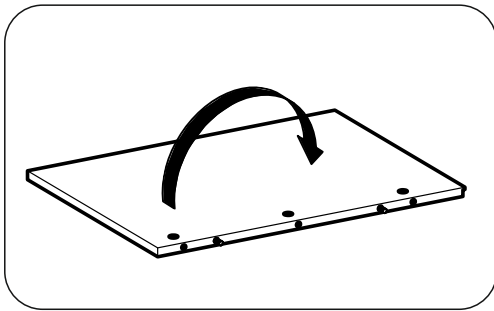


6

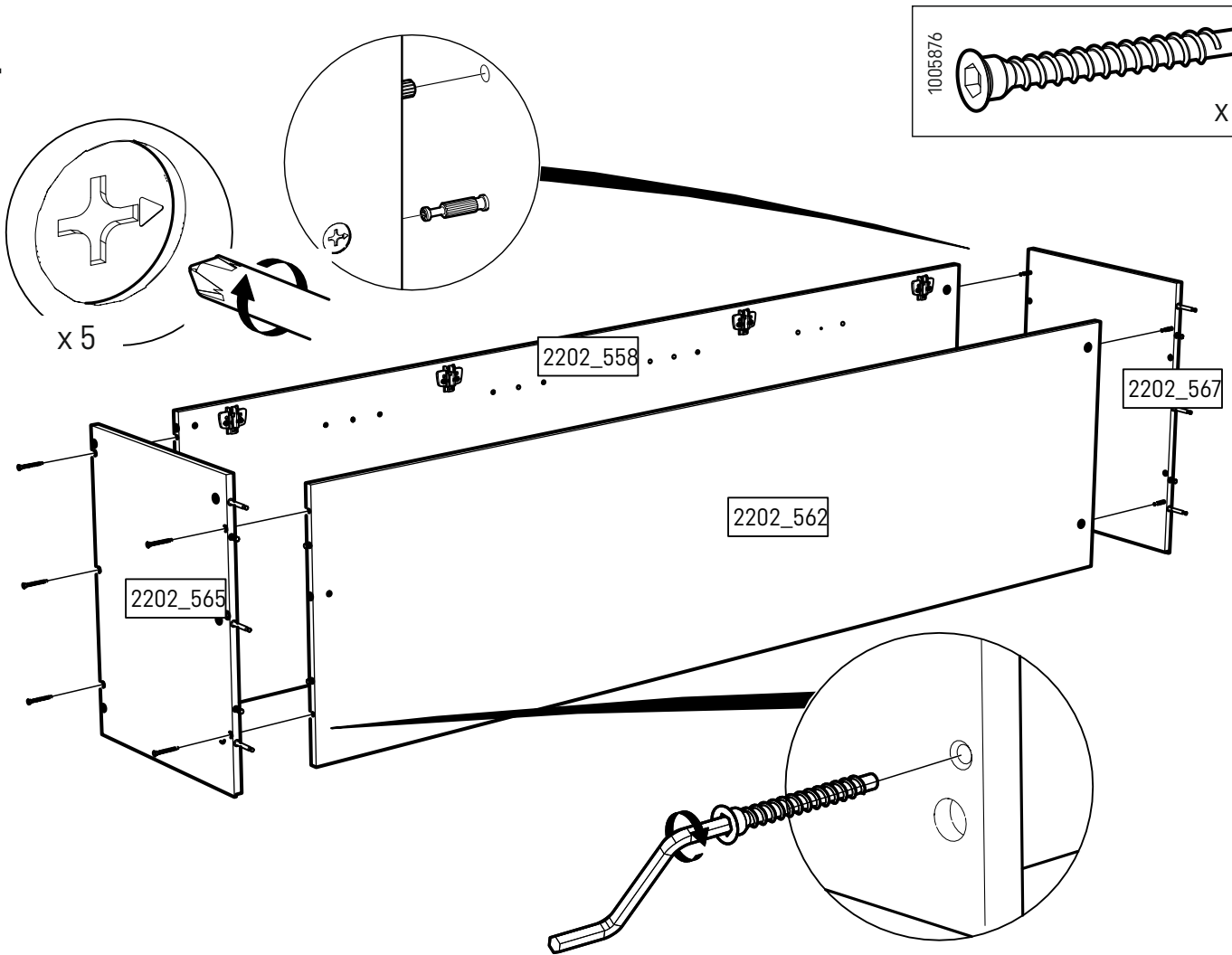
12



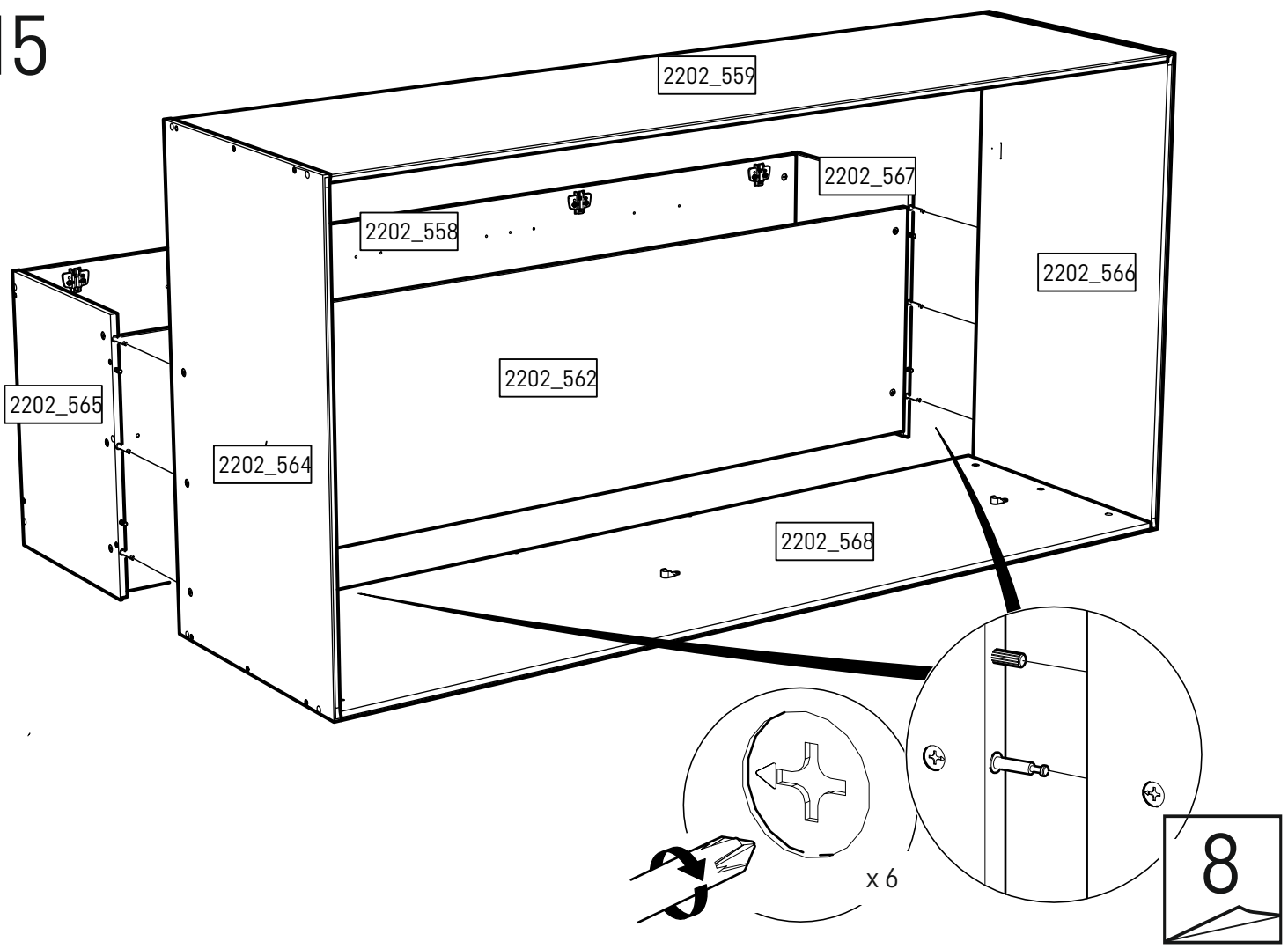
13



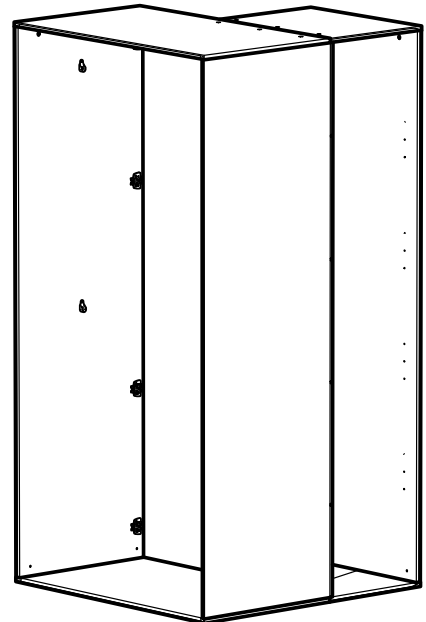
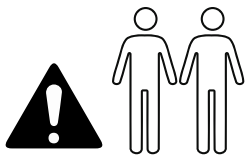
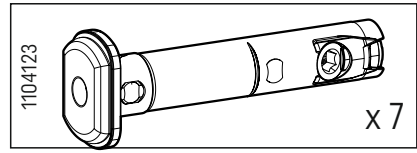
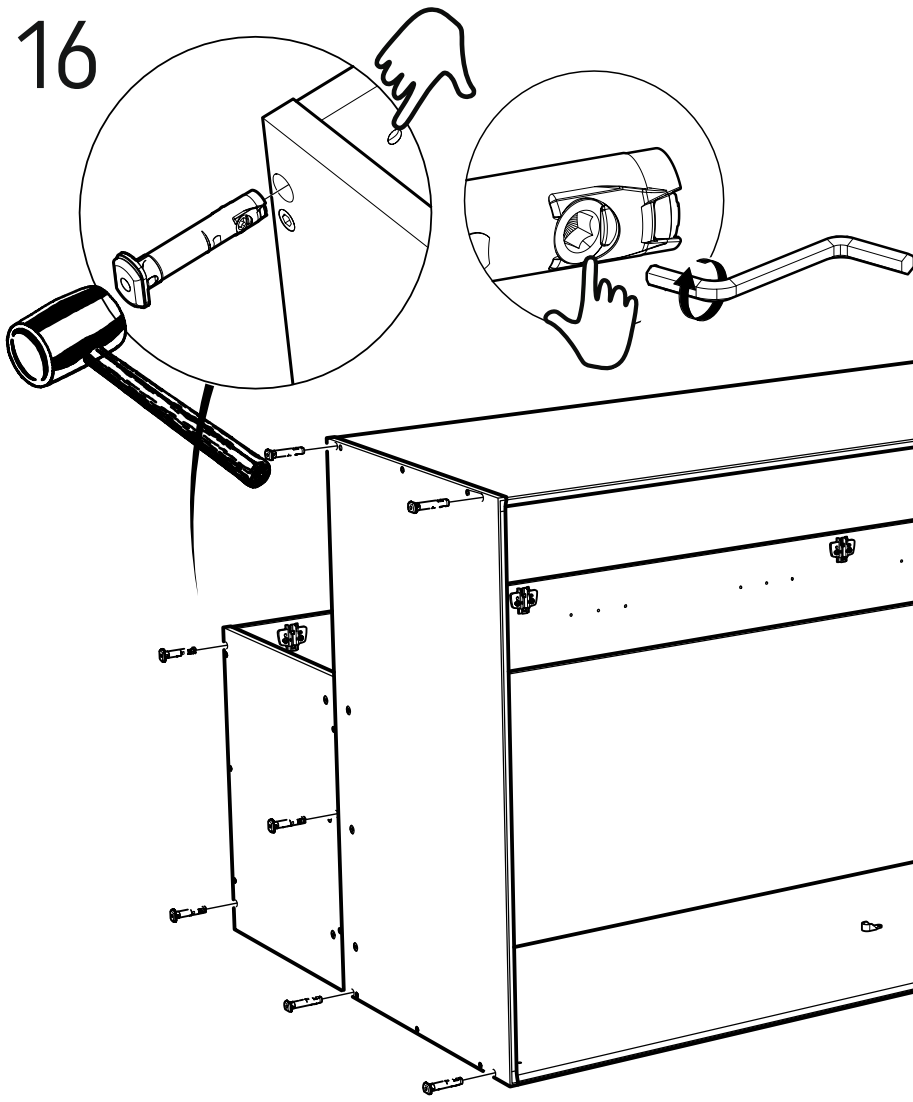
14



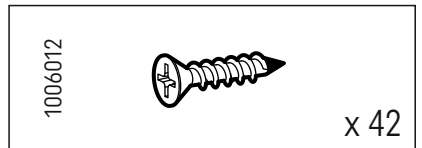
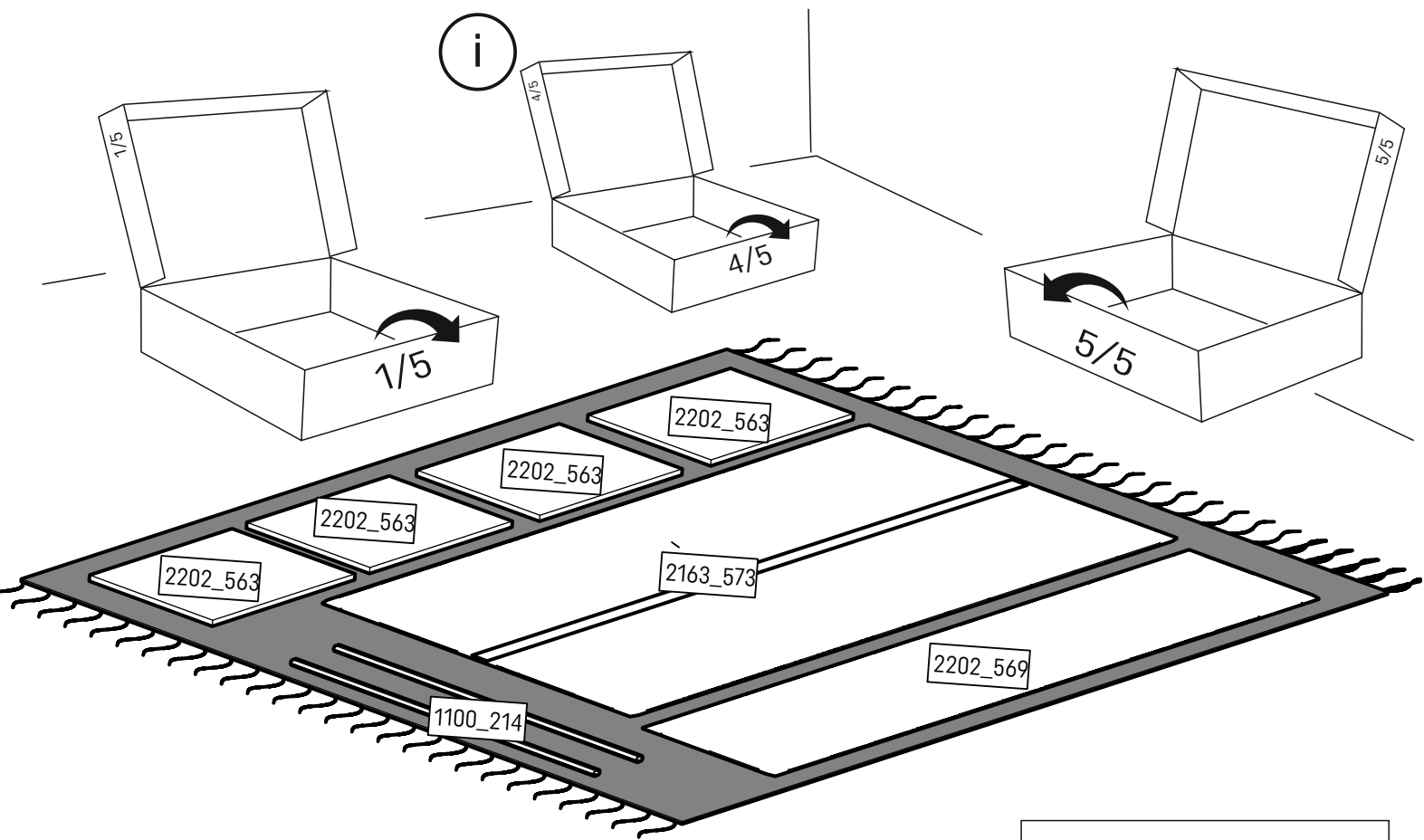
15



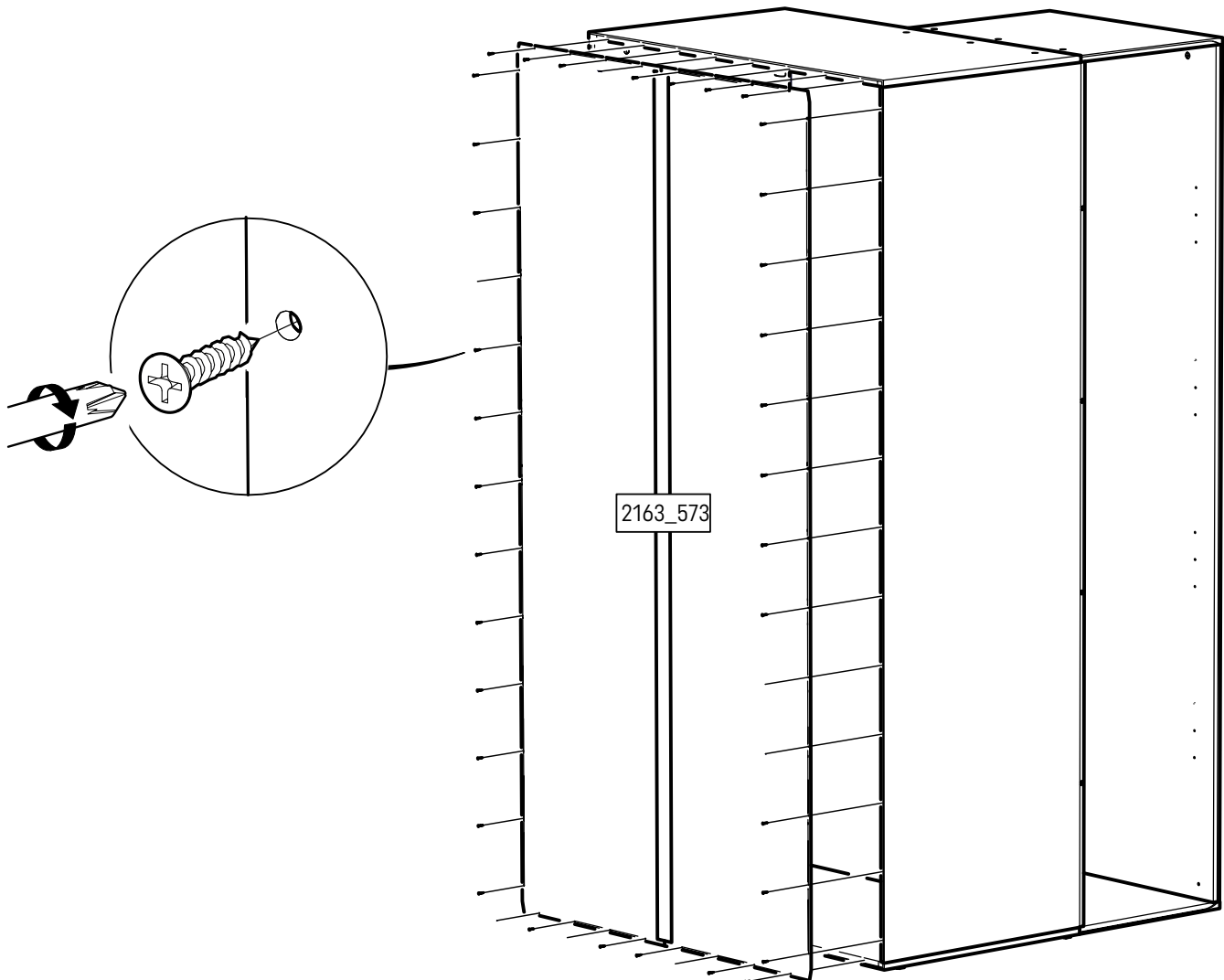
16



9

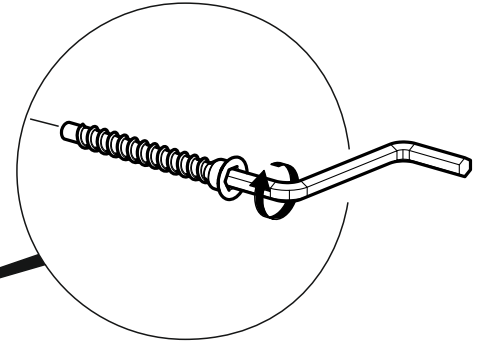
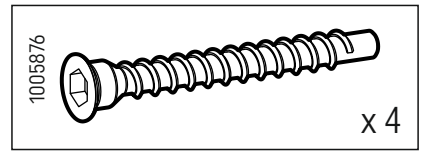
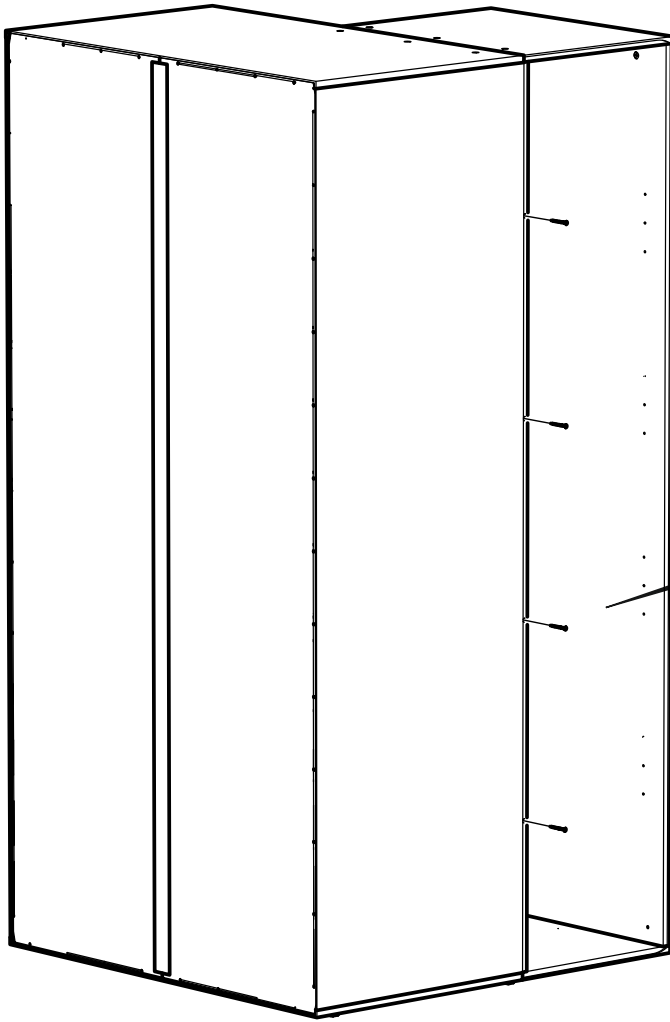


17

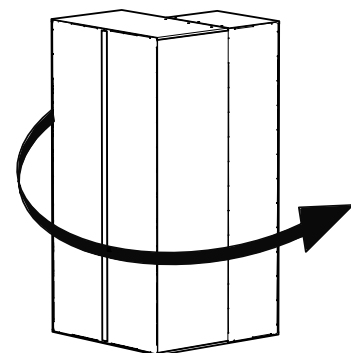
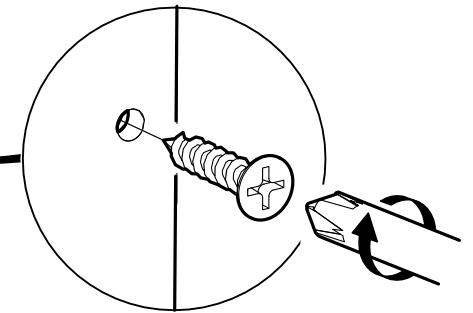
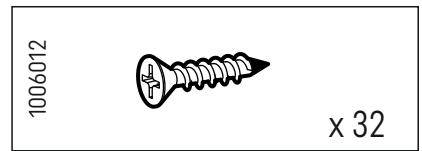
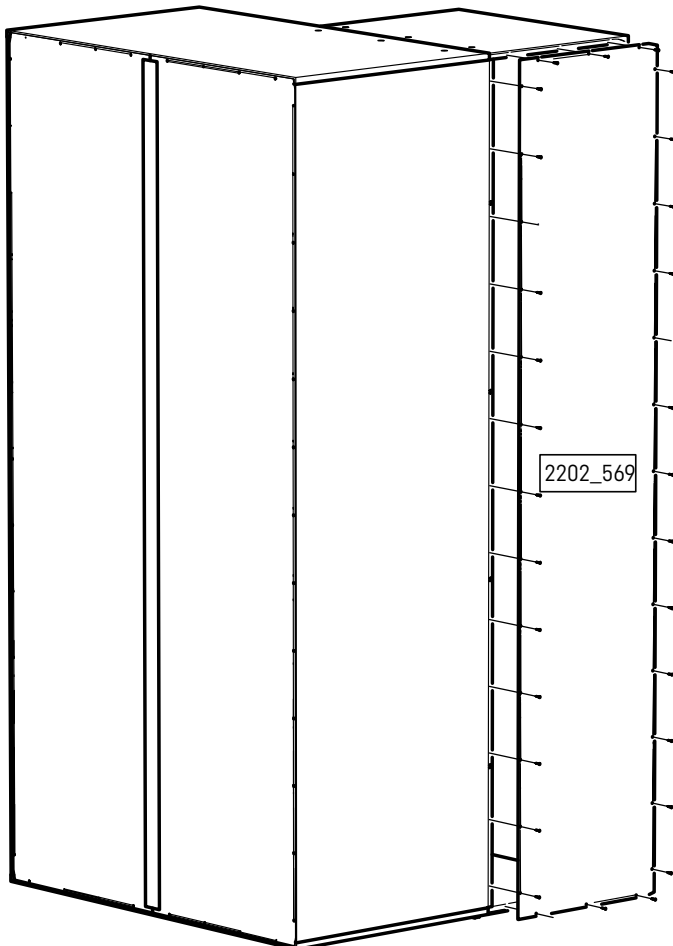


10

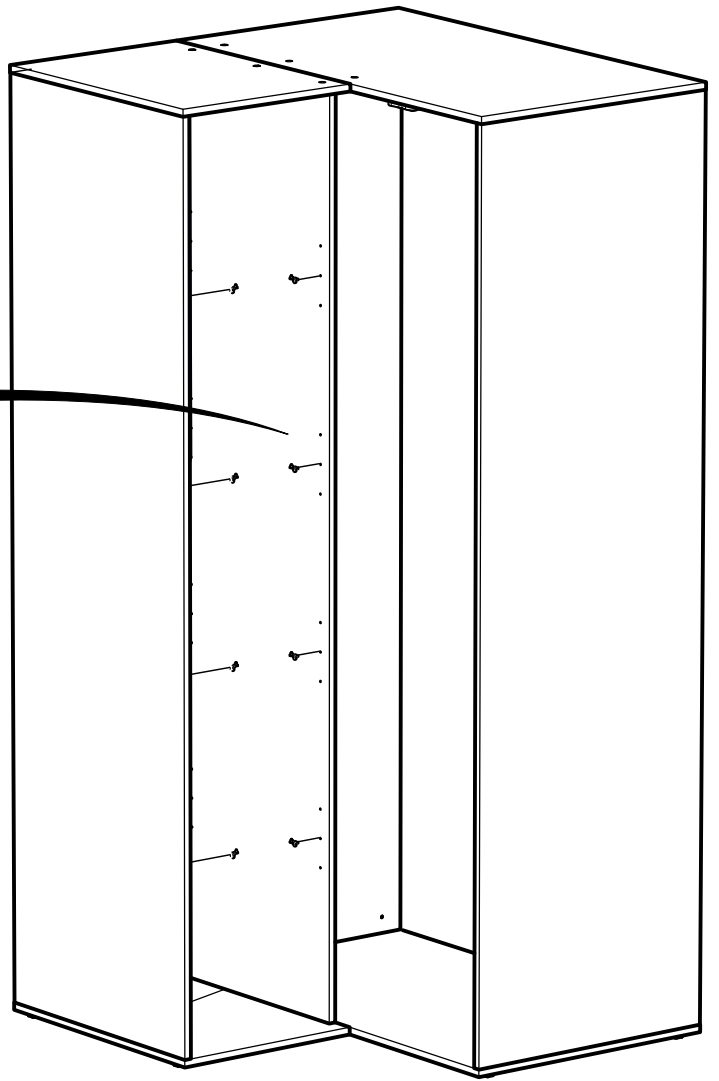
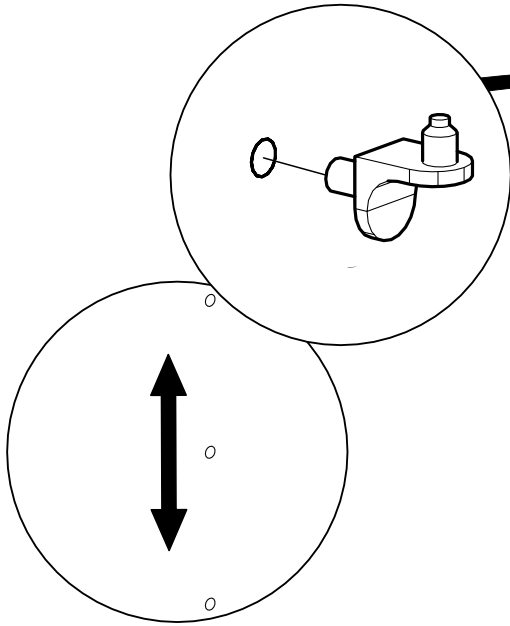
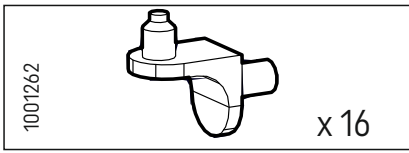
18



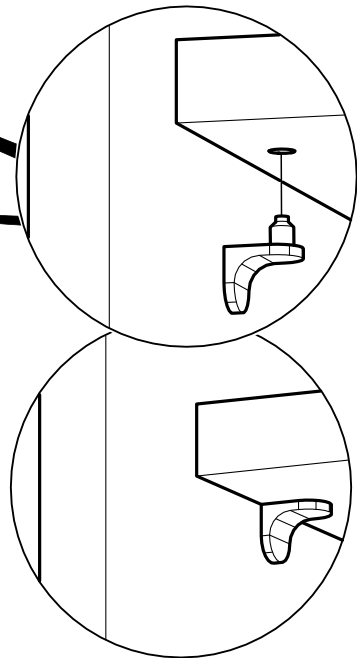
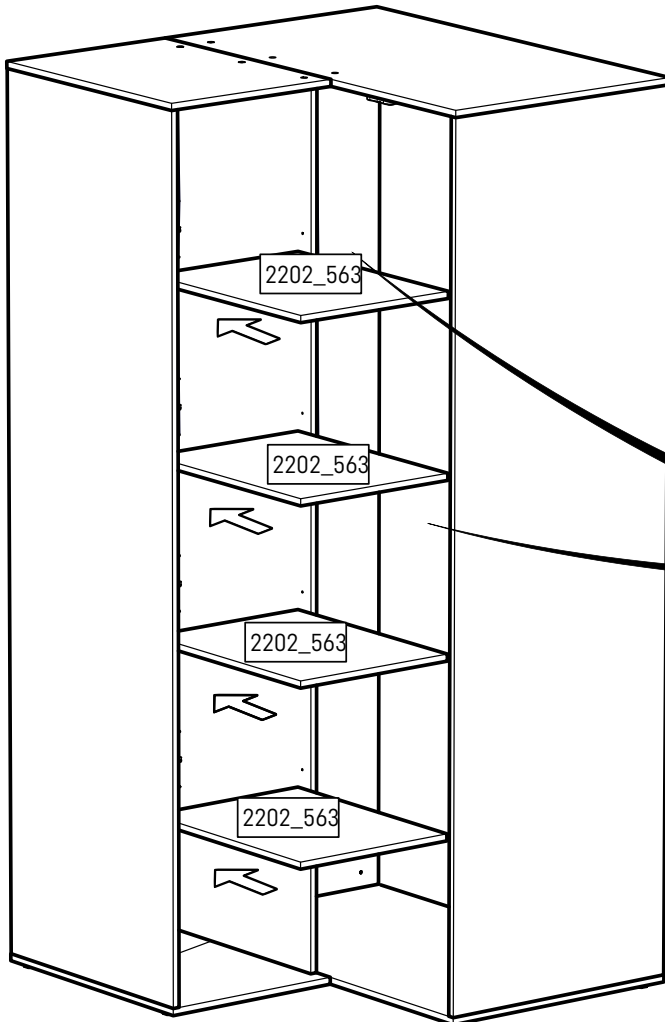
19



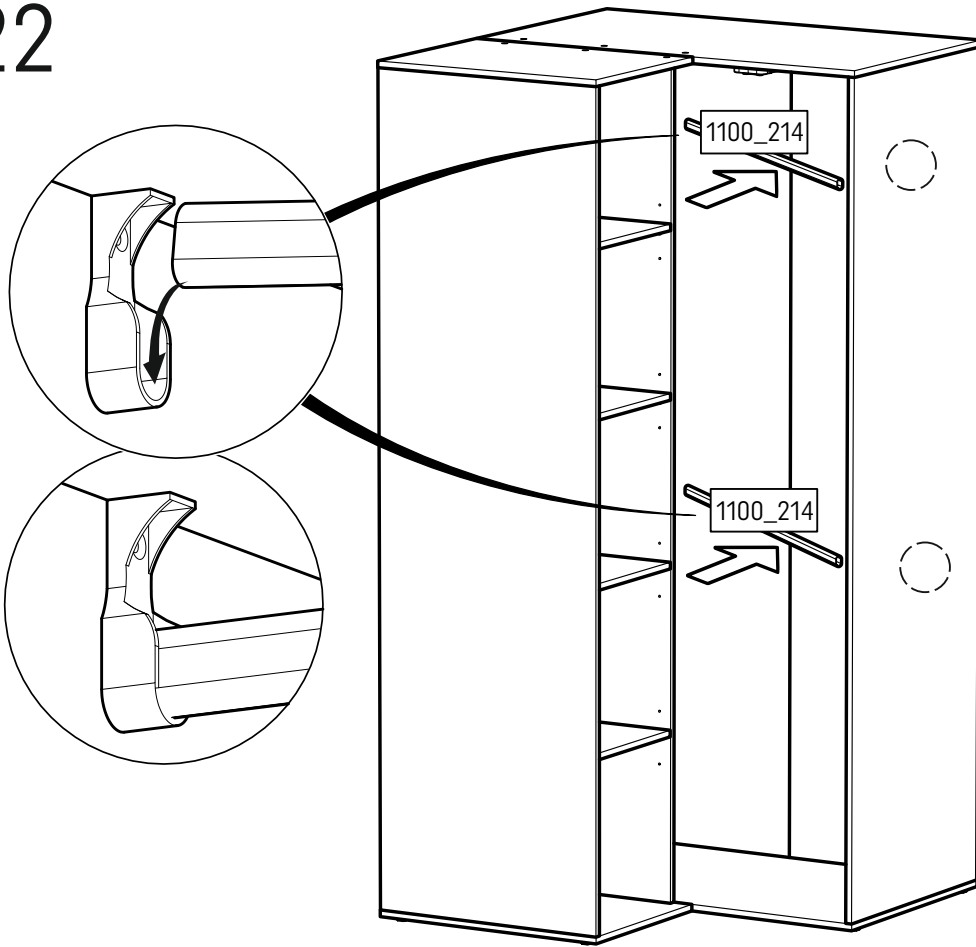
20



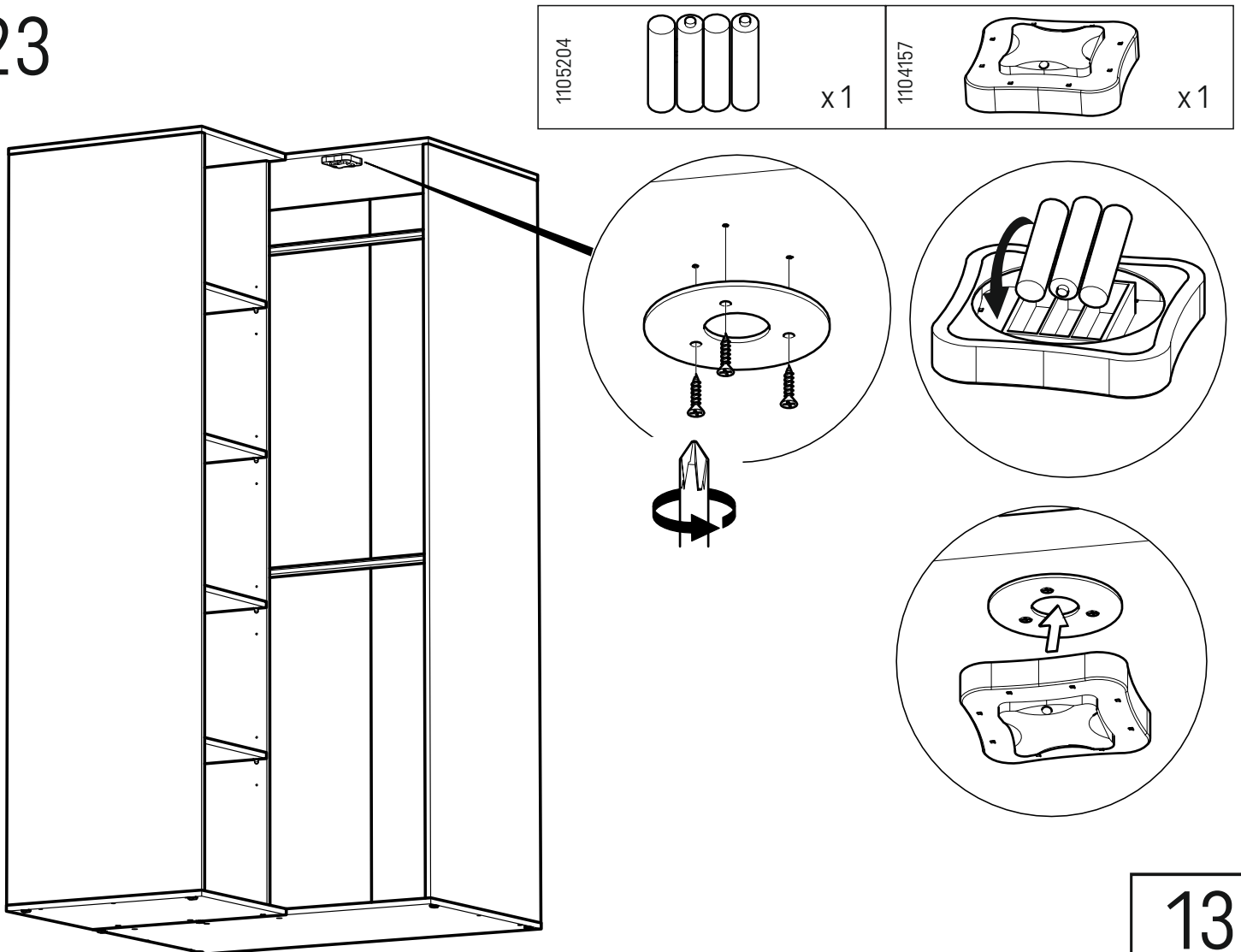
21



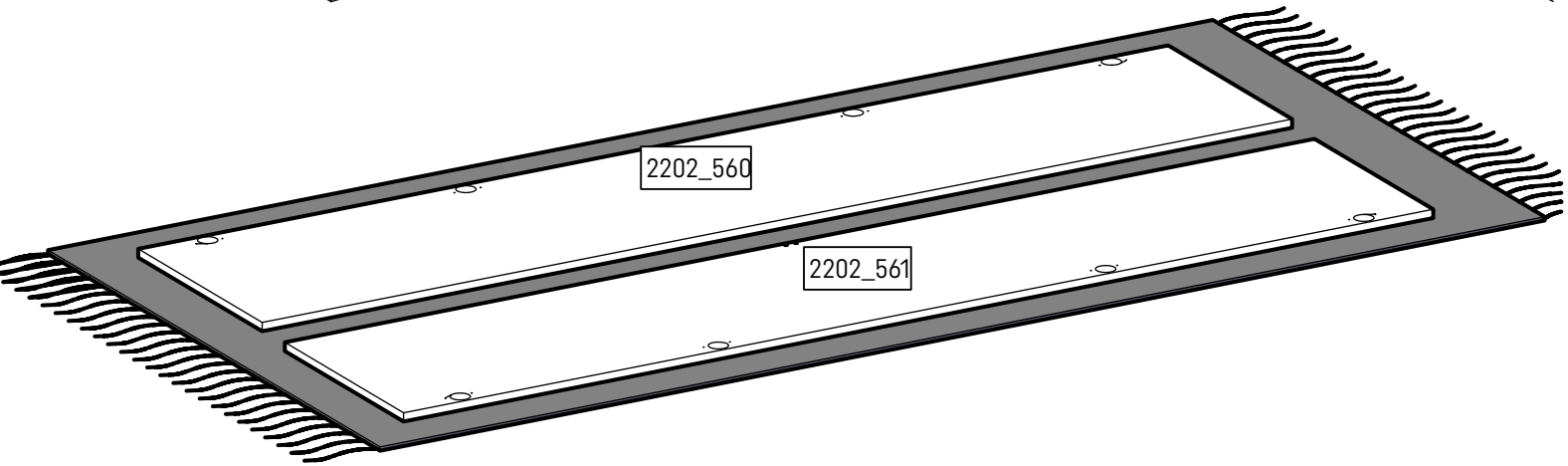
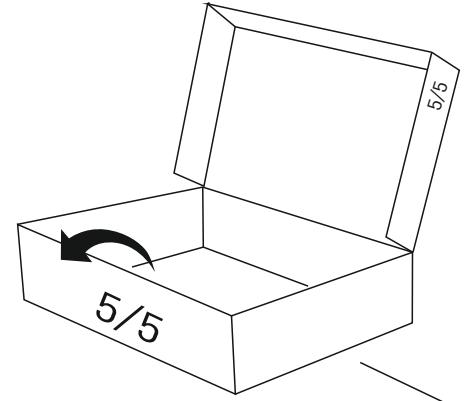
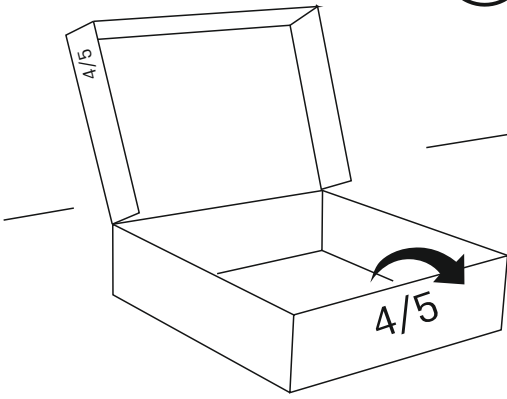
22



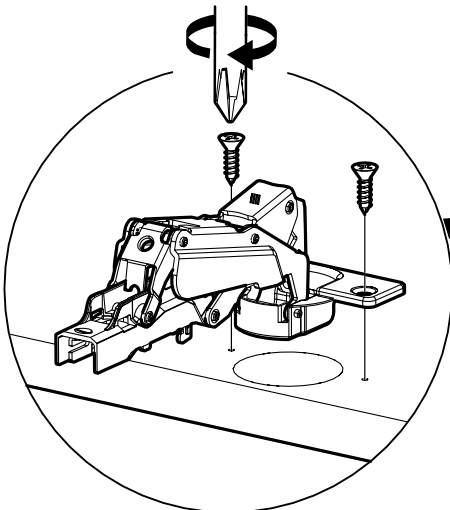
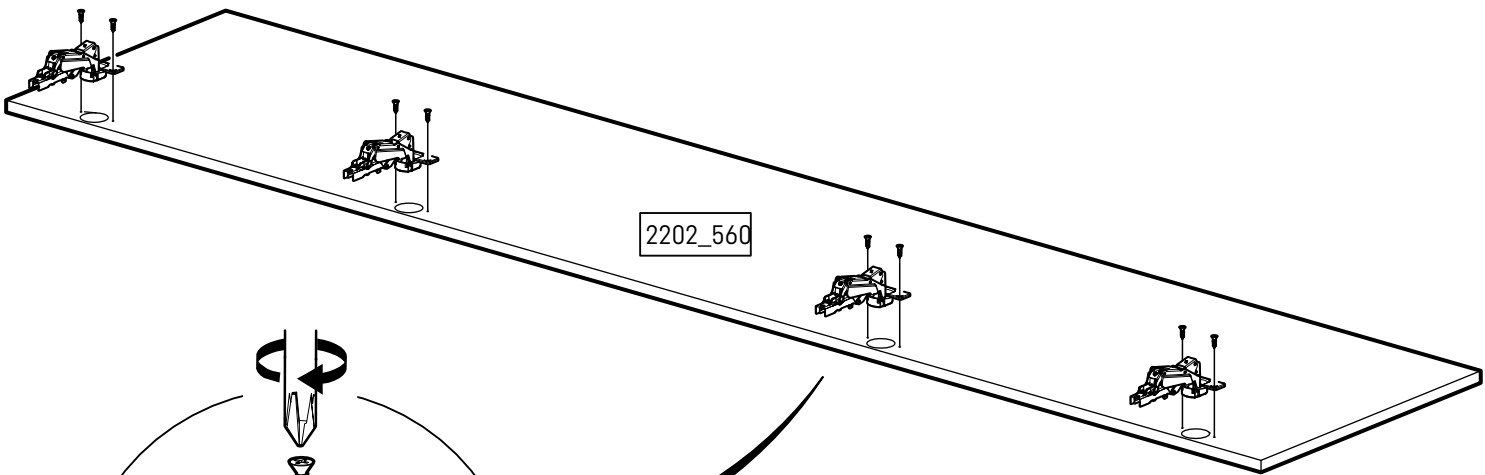
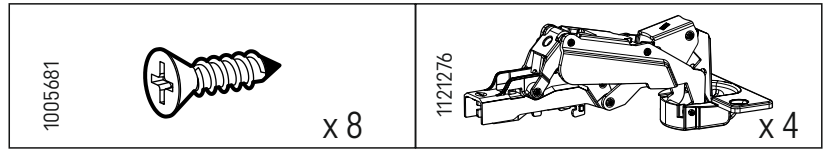
23



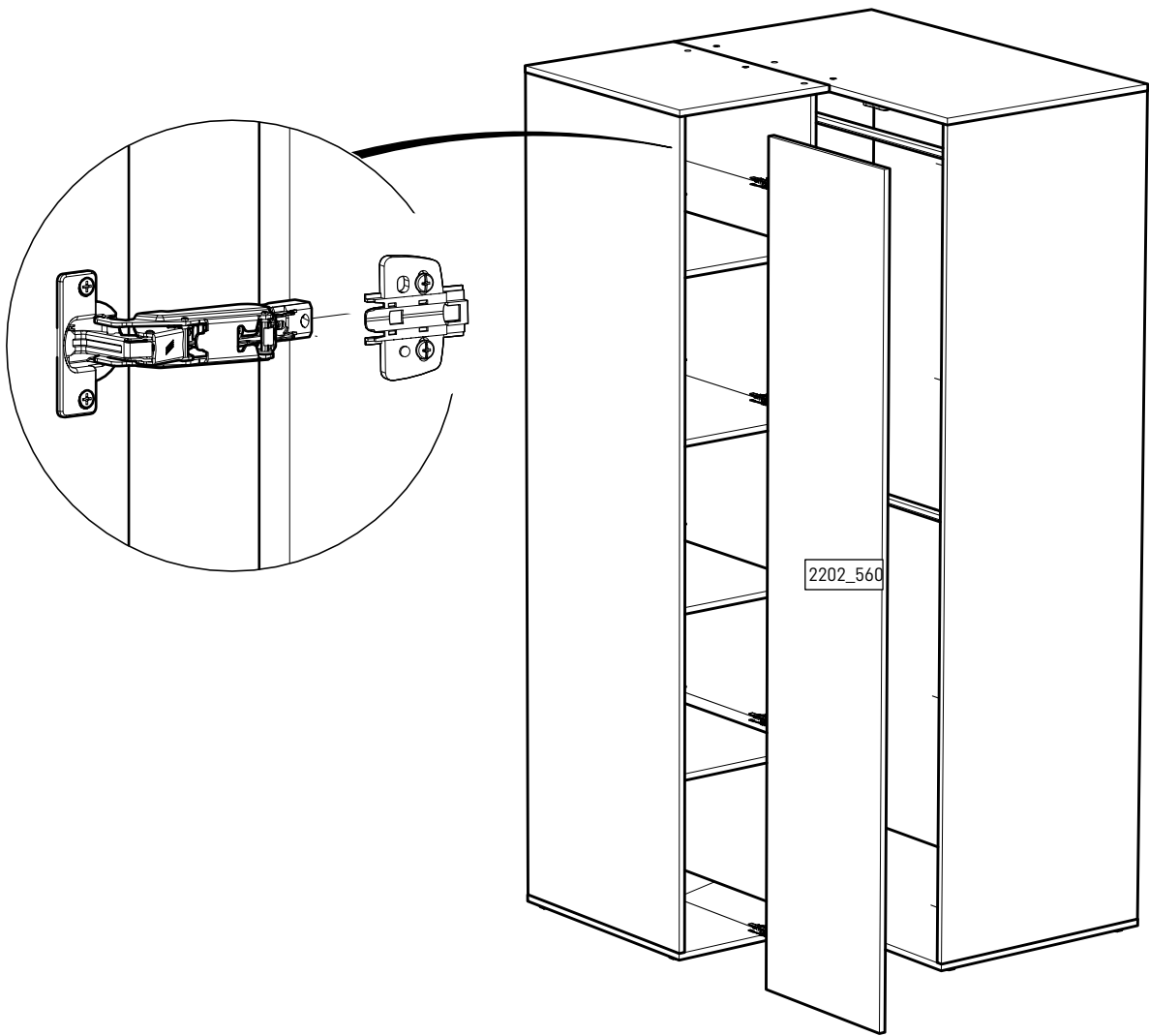
i



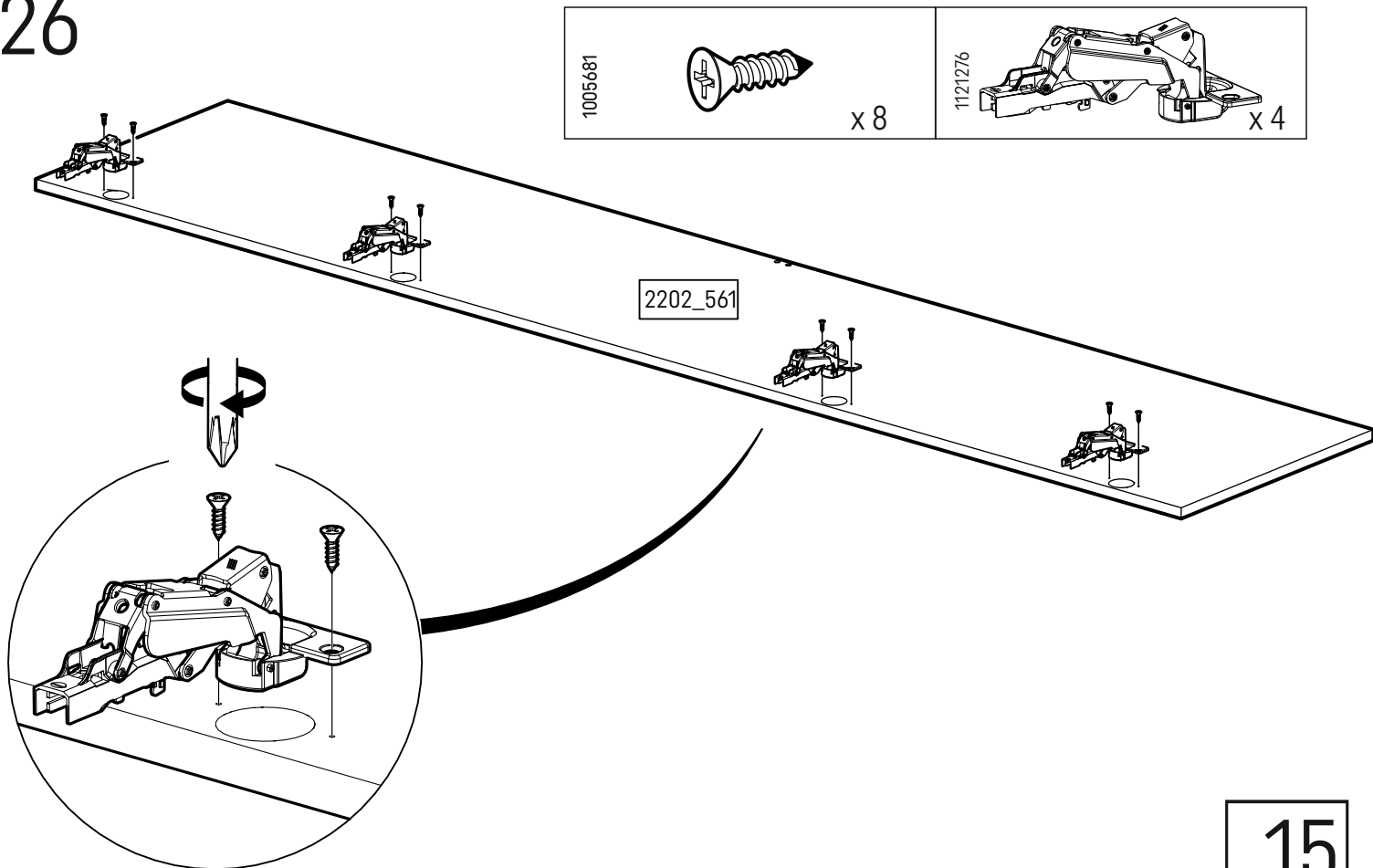
24



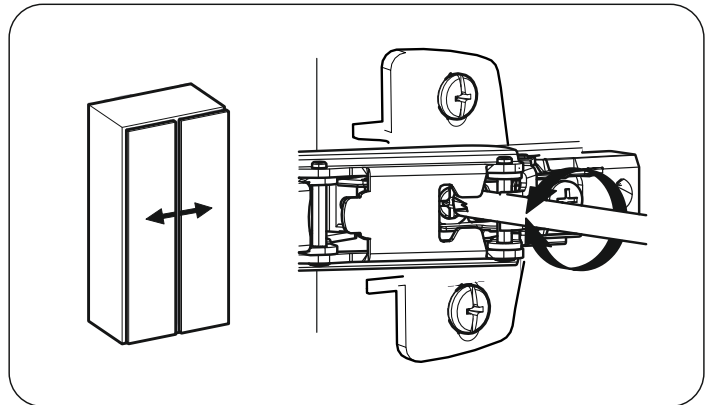
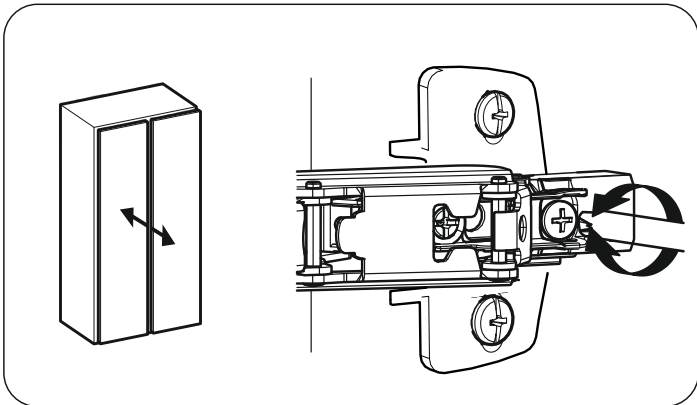
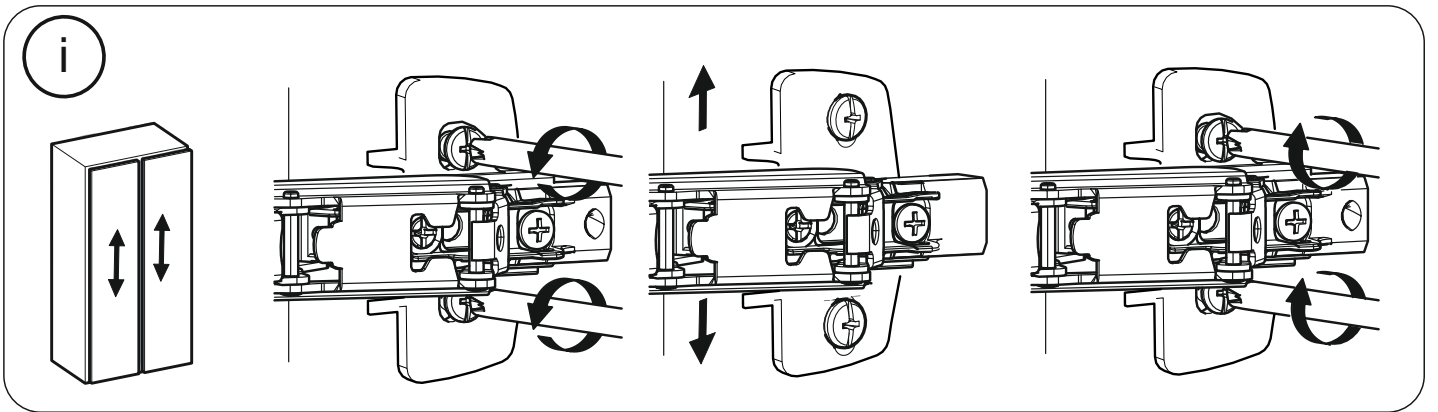
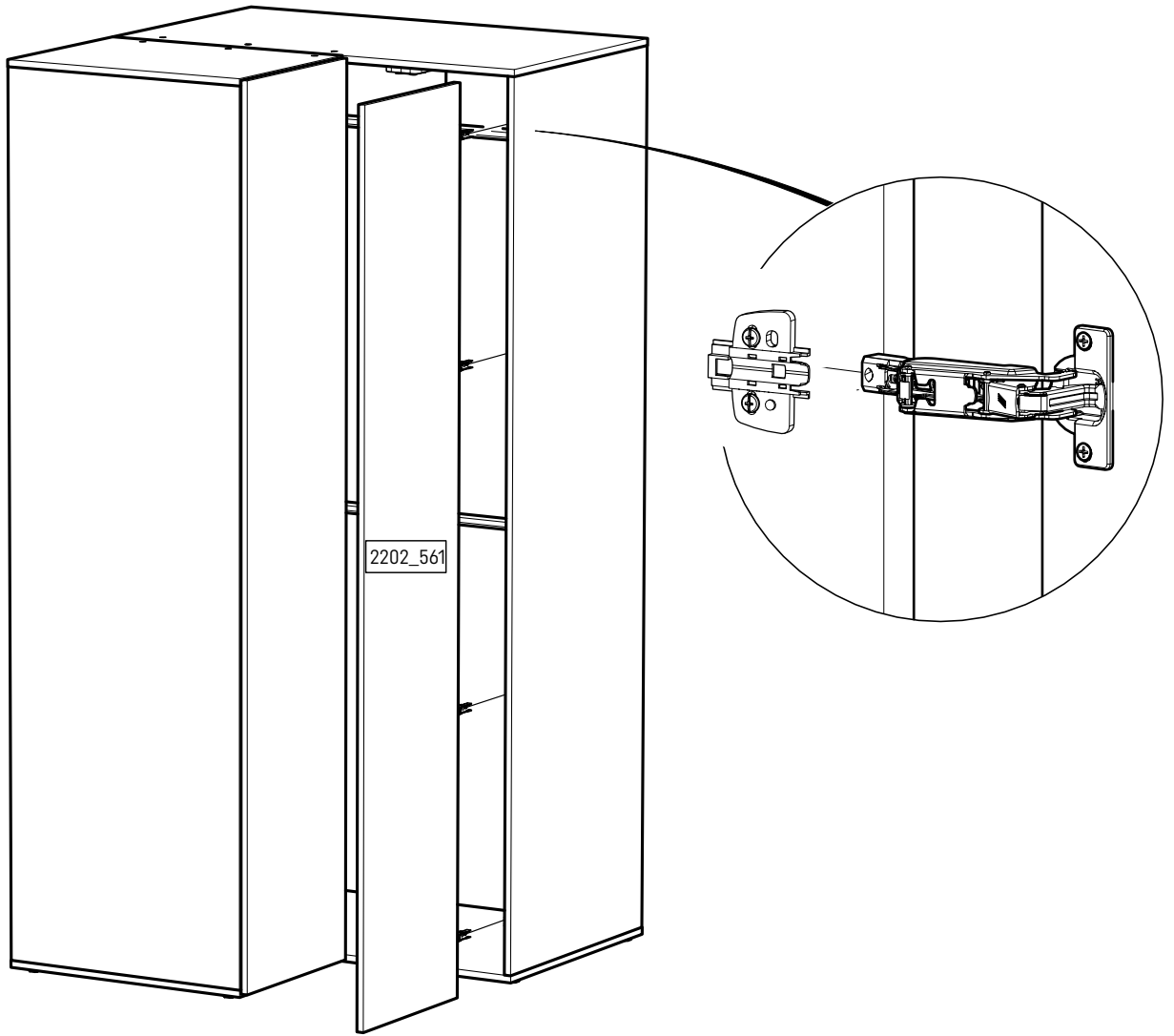
25



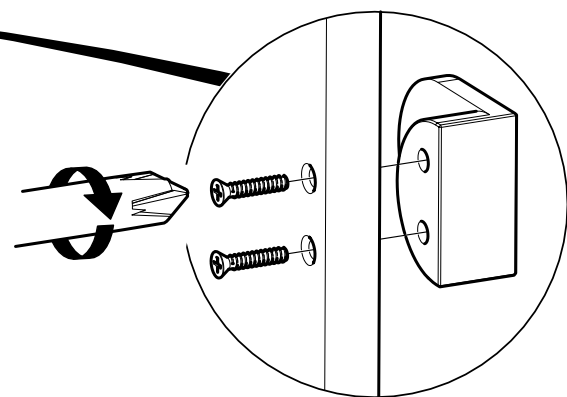
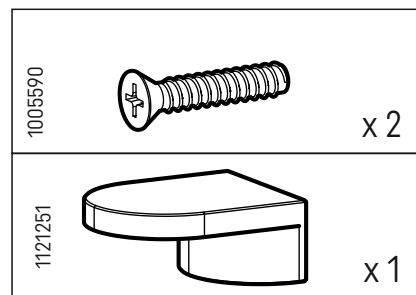
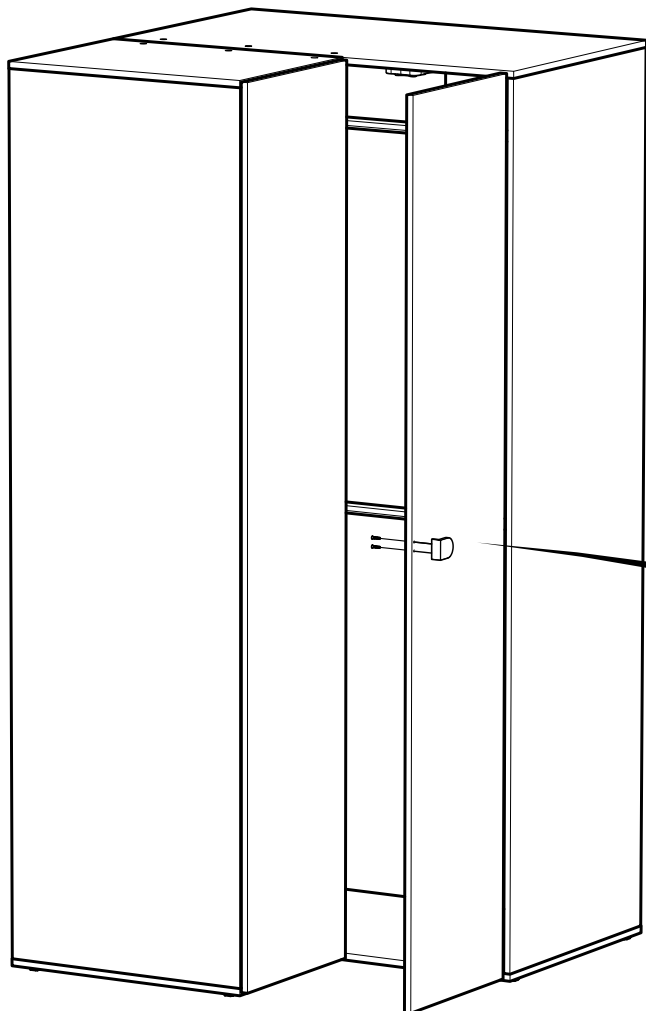
26



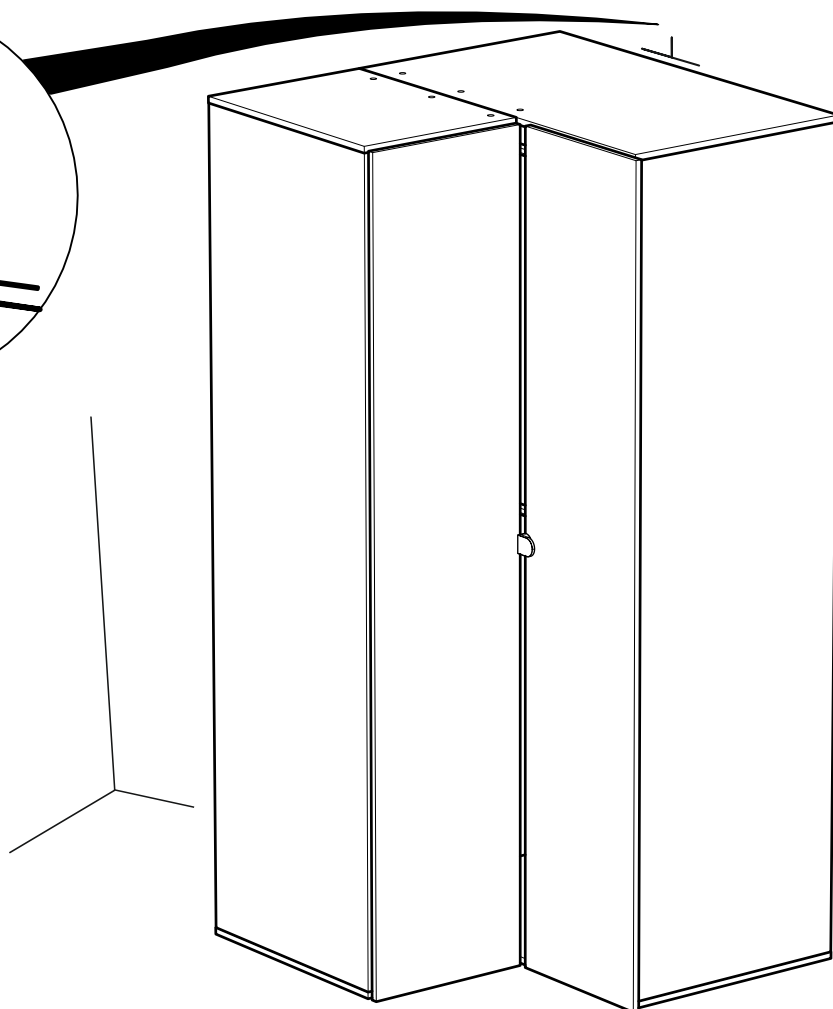
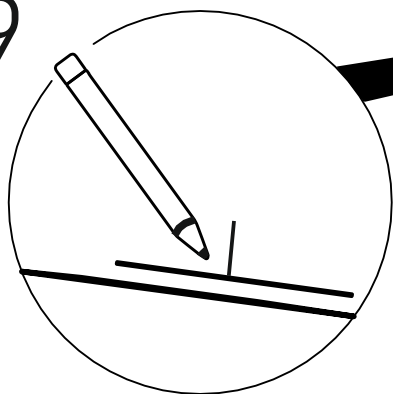
27



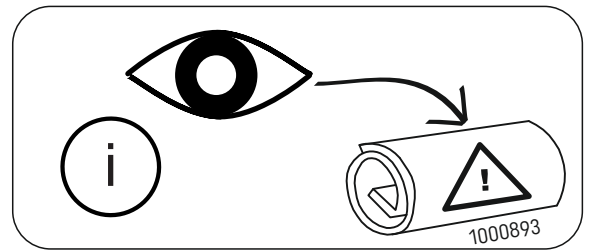
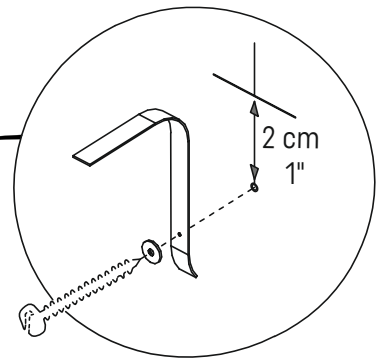
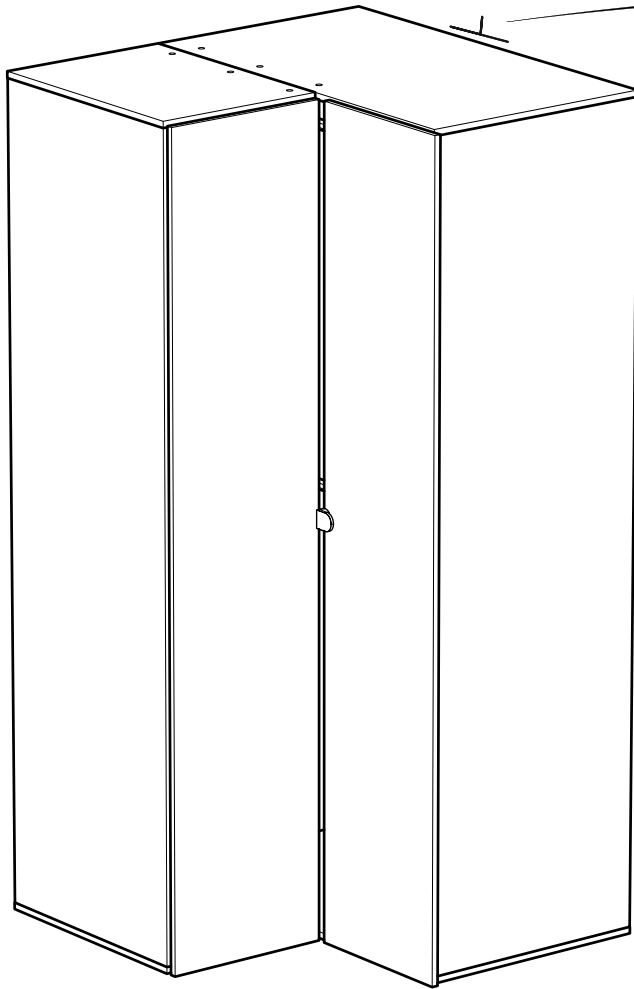
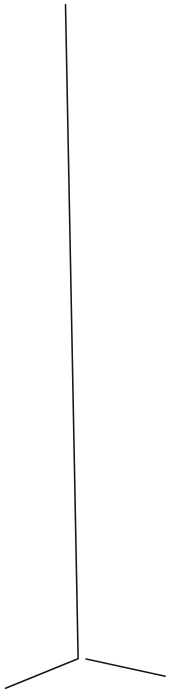
28



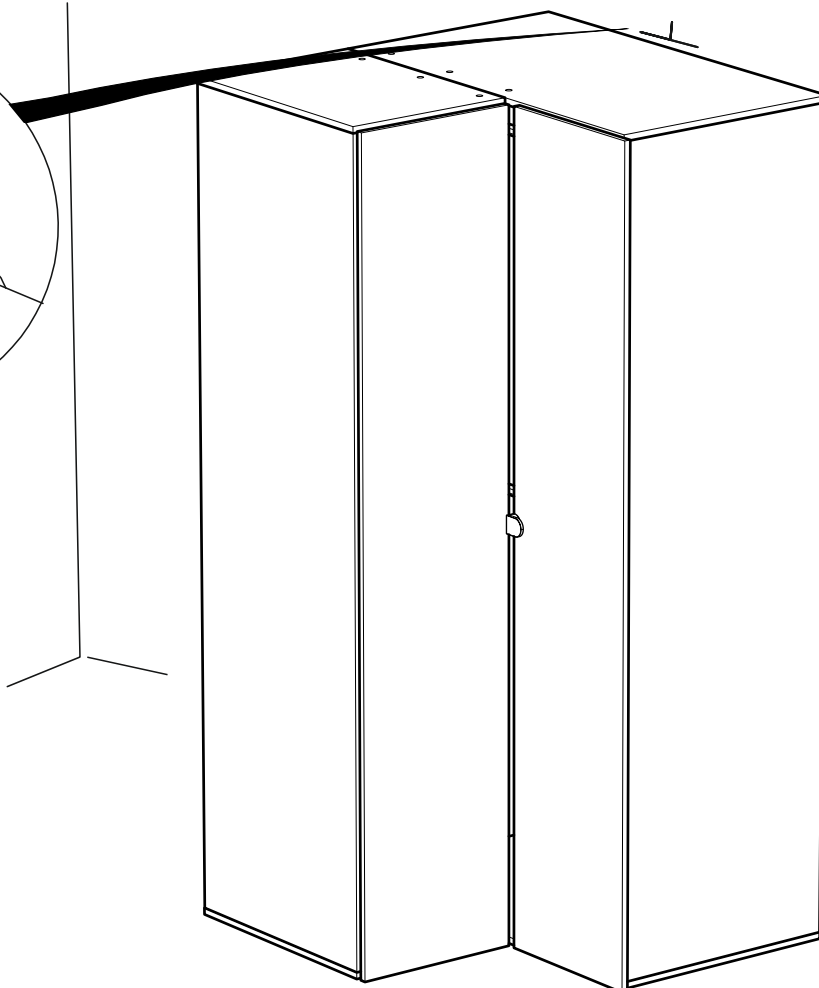
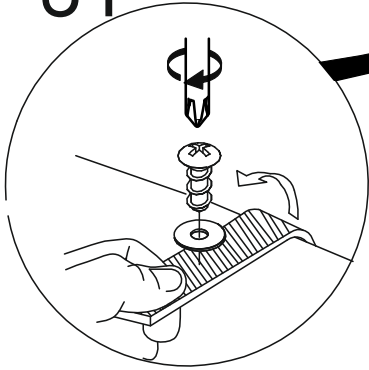
29



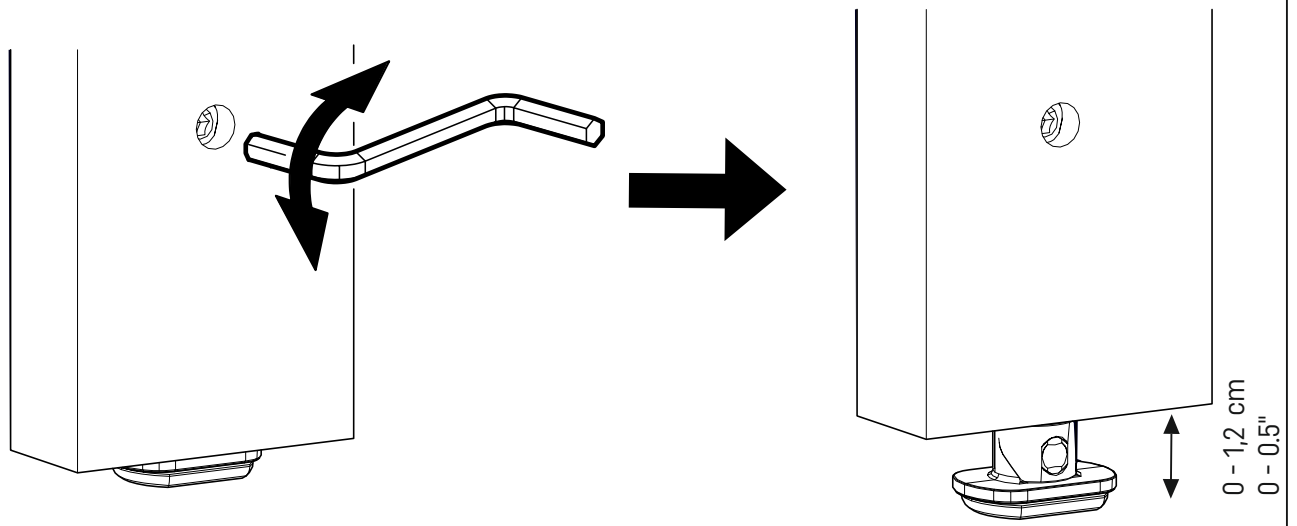
30



31



i



i

kg
max 15 kg / 33 lb

kg
max 15 kg / 33 lb

