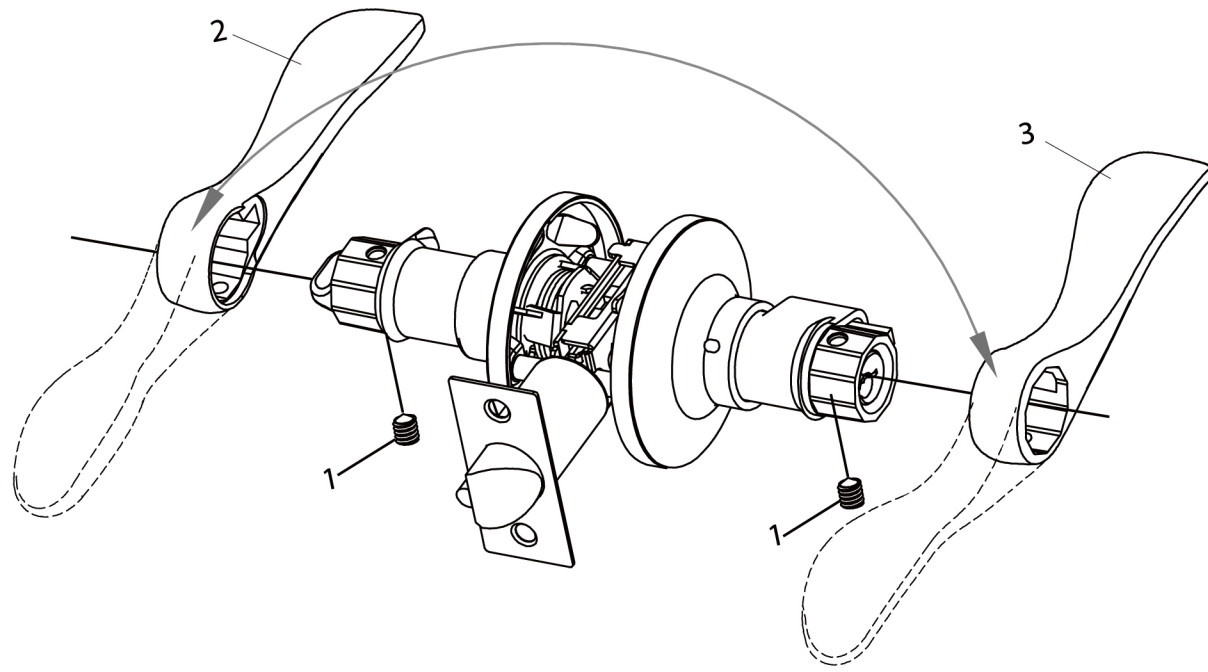


Reversible handle



1. Set Screw 2. Handle 3. Handle

The "Reversible Lever" function allows you to install the leverset on either a left hand, or a right hand configured door. The interior lever can be removed from the rosette assembly and switched with the exterior lever. This prevents the levers from being upside down when installation is complete

Step 1. Loosen and remove set screw (1)

Step 2. Slide handle off and rotate 180° (2-3)

Step 3. Slide handle back on and tighten set screw

HOW TO INSTALL THIS LEVER LOCK SET

- USE TEMPLATE TO MARK HOLES
- DRILL TWO HOLES
- INSTALL LATCH
- INSTALL STRIKE PLATE

1

38" (914 mm) From Finished Floor

Fold template onto high edge of door bevel

Backset must match lock (2-3/8" or 2-3/4")

38" from finished floor

2

Locate template against door stop as shown.

Mark center for 25mm (1") dia. hole in jamb same distance from floor as center of latch bolt located in step 1.

Mark location of mounting screws on same centerline as 25mm (1") dia hole.

Drill 25mm (1") dia. hole 16mm (5/8") deep into doorjamb.

1. Bore 1" diameter hole for Latch

2. Bore 2-1/8" diameter hole Lever cylinder trim

Chisel 3mm (1/8") diameter or until latch face is flush

3

Insert latch in hole, keeping it parallel to face of door. Mark outline and remove latch. Chisel 3mm (1/8") deep or until latch face is flush with door edge.

Insert latch and tighten screws.

For round face (drive-in) latch installation, insert latch into 25mm (1") dia. hole. Keep latchbolt "flat" parallel with face of door. Press latch until it is flush with door edge. No chiseling is required.

1/8" (3mm)

Insert Latch

4

Align mounting holes in strike with marks on doorjamb. Outline outside edges of strike. Chisel 2mm (1/16") deep or until strike is flush with jamb.

(Adjustable tang on strike may be bent in or out to eliminate loose fit between door and door stop.)

One (1) 1" (25 mm) hole 5/8" (16 mm) deep

1/8" (3 mm)

Align and Chisel and mount

- INSTALL OUTSIDE KNOB
- INSTALL INSIDE TRIM
- KNOB PIECES

5

Lever Handle is Reversible on left hand or right hand door

NOTE: For keyed entrance, position keyway as shown. Insert spindle through hole in latch. Slide knob toward door until flush.

6

Lever Handle is Reversible on left hand or right hand door

Align holes in inside knob with holes on outside knob. For keyed entrance ONLY: Rotate thumbturn until slot in knob is aligned with spindle. Insert two screws into holes on knob and tighten.

SCREW

INSIDE LEVER

SCREW

LATCH

STRIKE PLATE

PLASTIC BOX

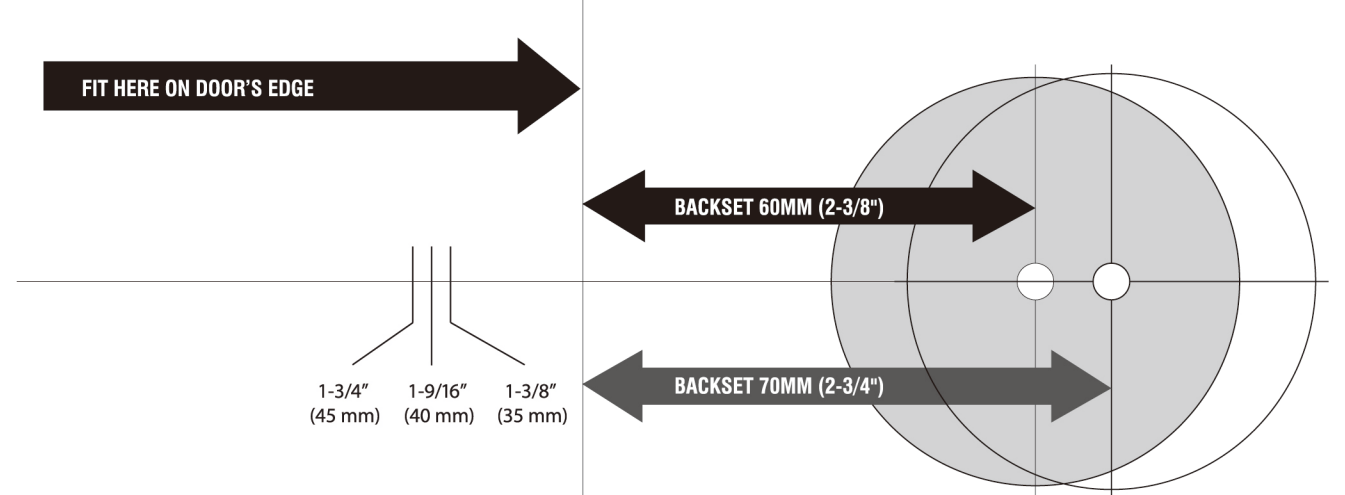
SCREW

OUTSIDE LEVER

SCREW

Cut here for paper maker template

NOTE: CHECK FOR PROPER OPERATION BEFORE CLOSING DOOR



Make a hole in center of door edge cylindrical lock and deadbolt: 23mm (15/16") tubular lock:25mm (1")

MAKE 54MM (2-1/8") CYLINDER HOLE