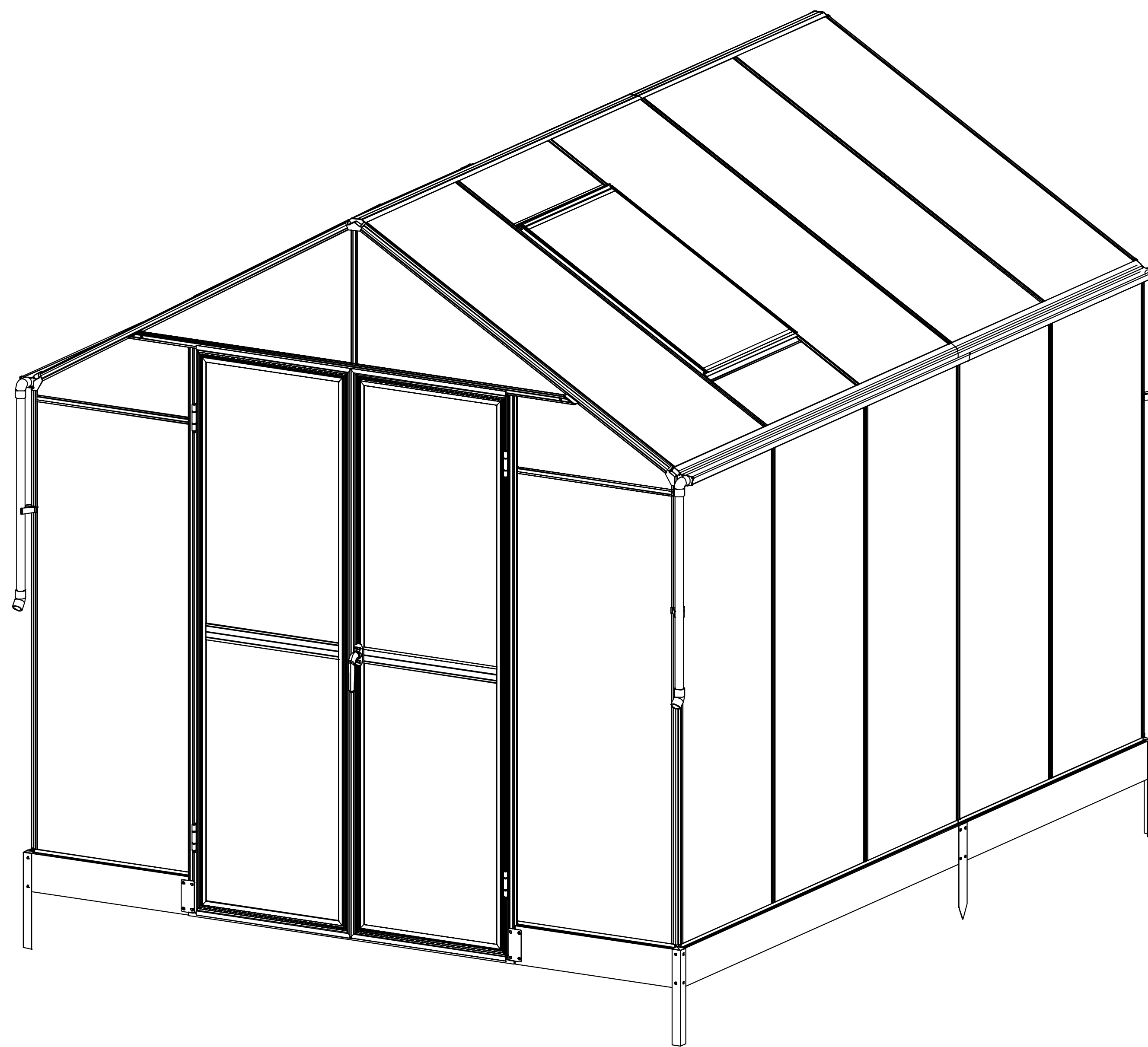


# Assembly Instructions

MODEL:GM-A810

PRODUCT SIZE(LxWxH): 8X10X7.5 FT

PLEASE READ CAREFULLY BEFORE ASSEMBLY



## Greenhouse 8x10 FT Assembly Instruction

SKU:

1007040119A

1007040120A

Arrive in 2 separate boxes and may not be part of the same shipment; Please install the product after receiving all the packages.

Email [Address:cs@howedirect.com](mailto:cs@howedirect.com)

Tel: 901-347-2181

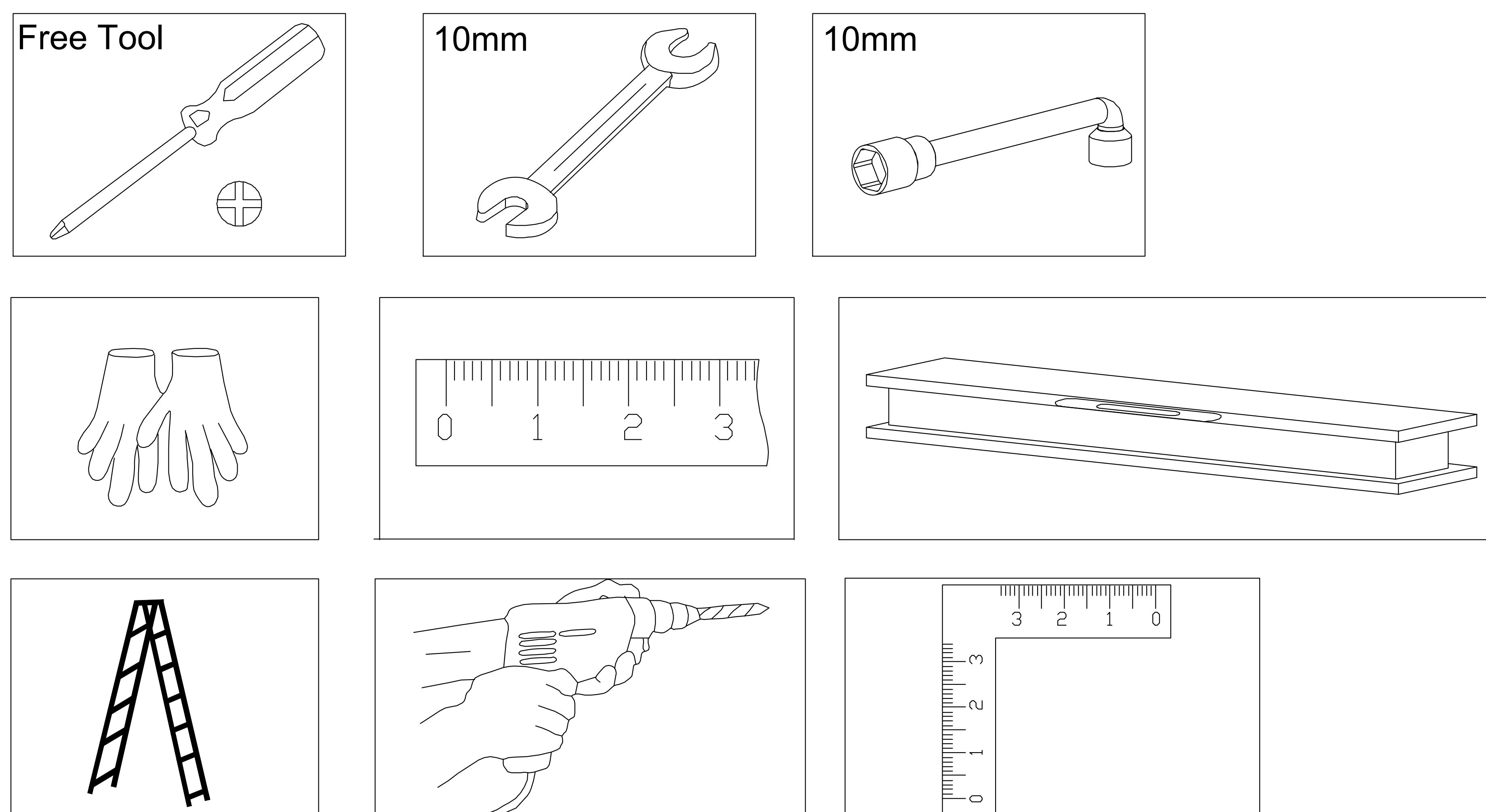
Service Time: 8 am - 5 pm (central time) Monday- Friday.

If no one picks up, please call several more times

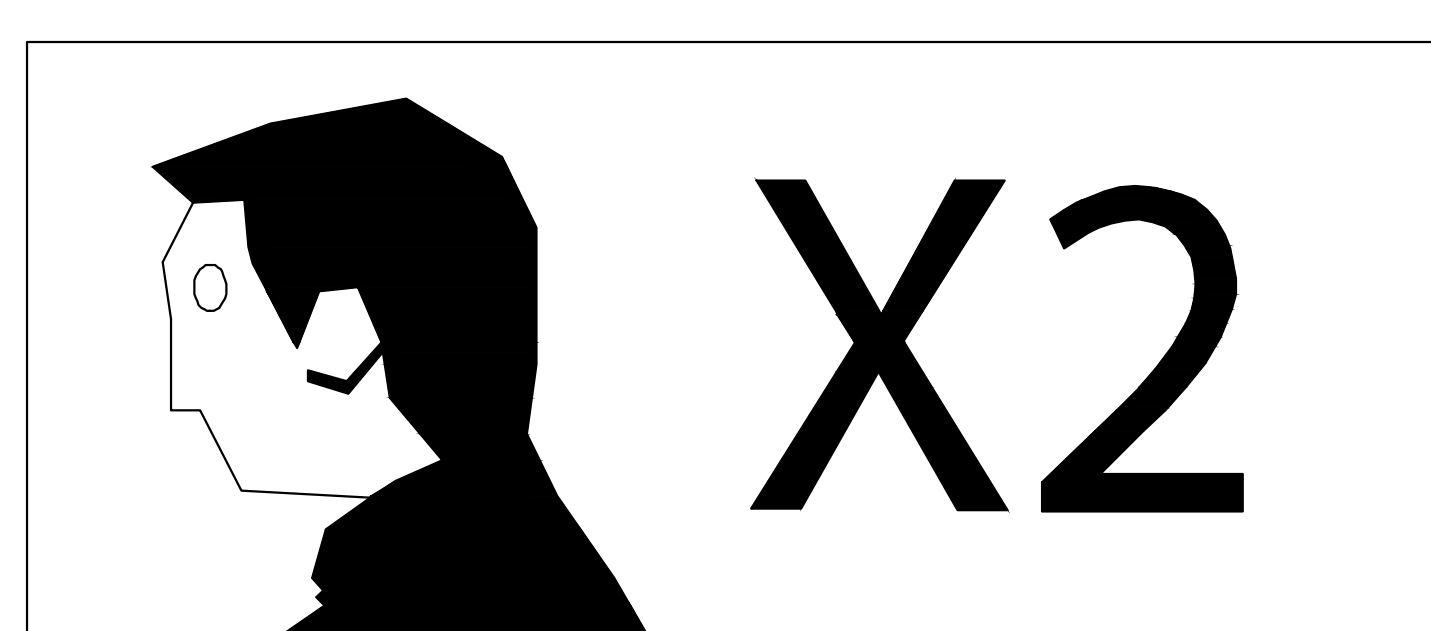
## Assembly and Maintenance Advice

1. For safety purposes, we strongly recommend that this product is assembled by at least two people.
2. Some components have sharp metal edges. Please be careful when handling metal components. Please wear gloves, shoes and safety goggles during assembly.
3. Lay all of the components on a soft carpet or blanket to avoid any scratches or damages.
4. DO NOT climb or stand on the roof. Heavy articles should not be leaned against the greenhouse.
5. Keep the roof and gutter clear of snow, dirt & leaves. Allowing snow to build up on the roof may damage the product.
6. Unlike steel, if the paint finish is scratched this will not harm the aluminium underneath.
7. When your product needs cleaning, use a mild detergent solution and rinse with cold clean water. Do not use acetone, abrasive cleaners or strong detergents to clean the panels.

## Tools Required when Assembly (Not Provided)



Assembly at least by two Persons



## Important:

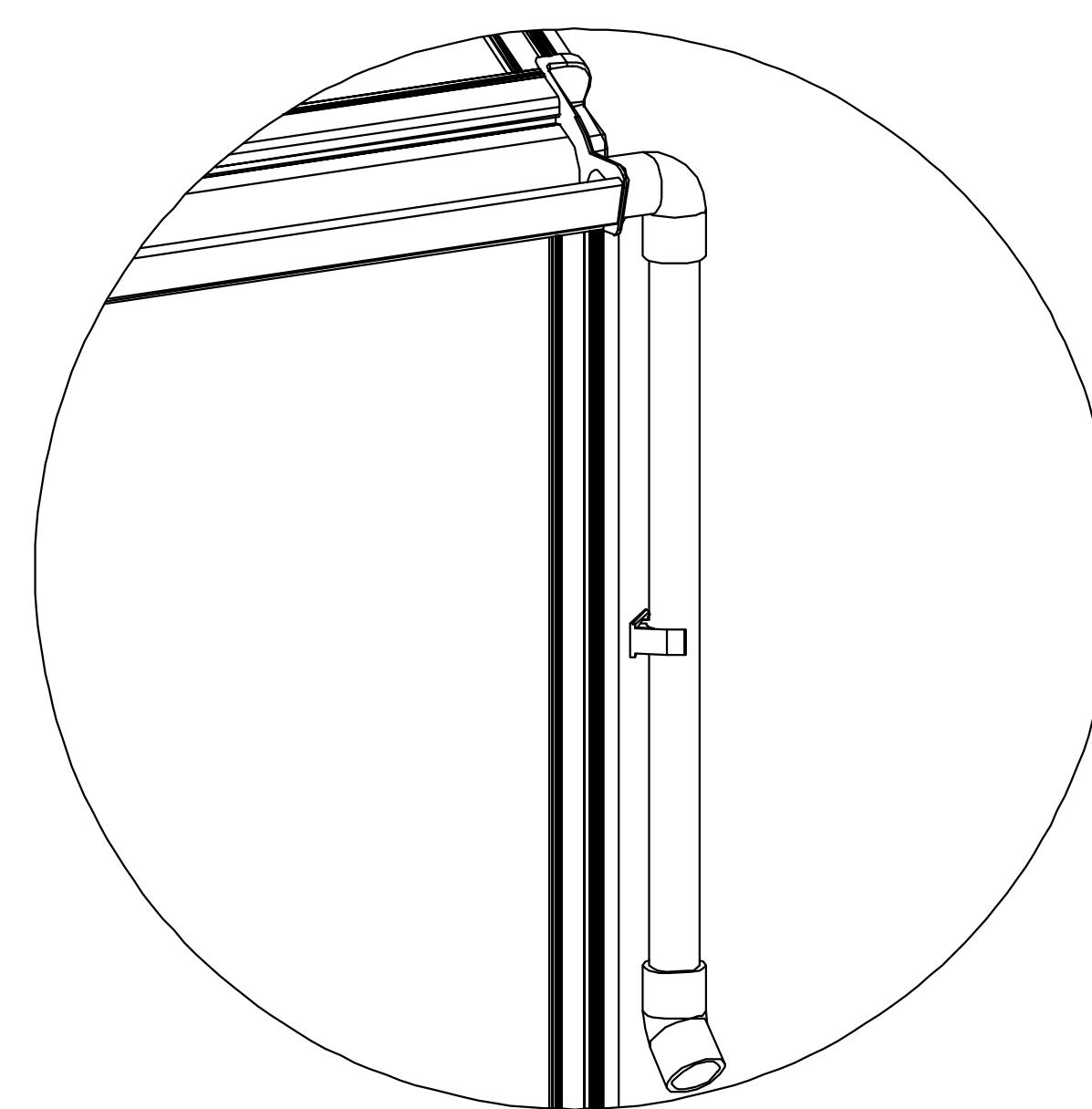
Rubber is not provided if you choose polycarbonate sheet as glazing panel.

# CONTENTS

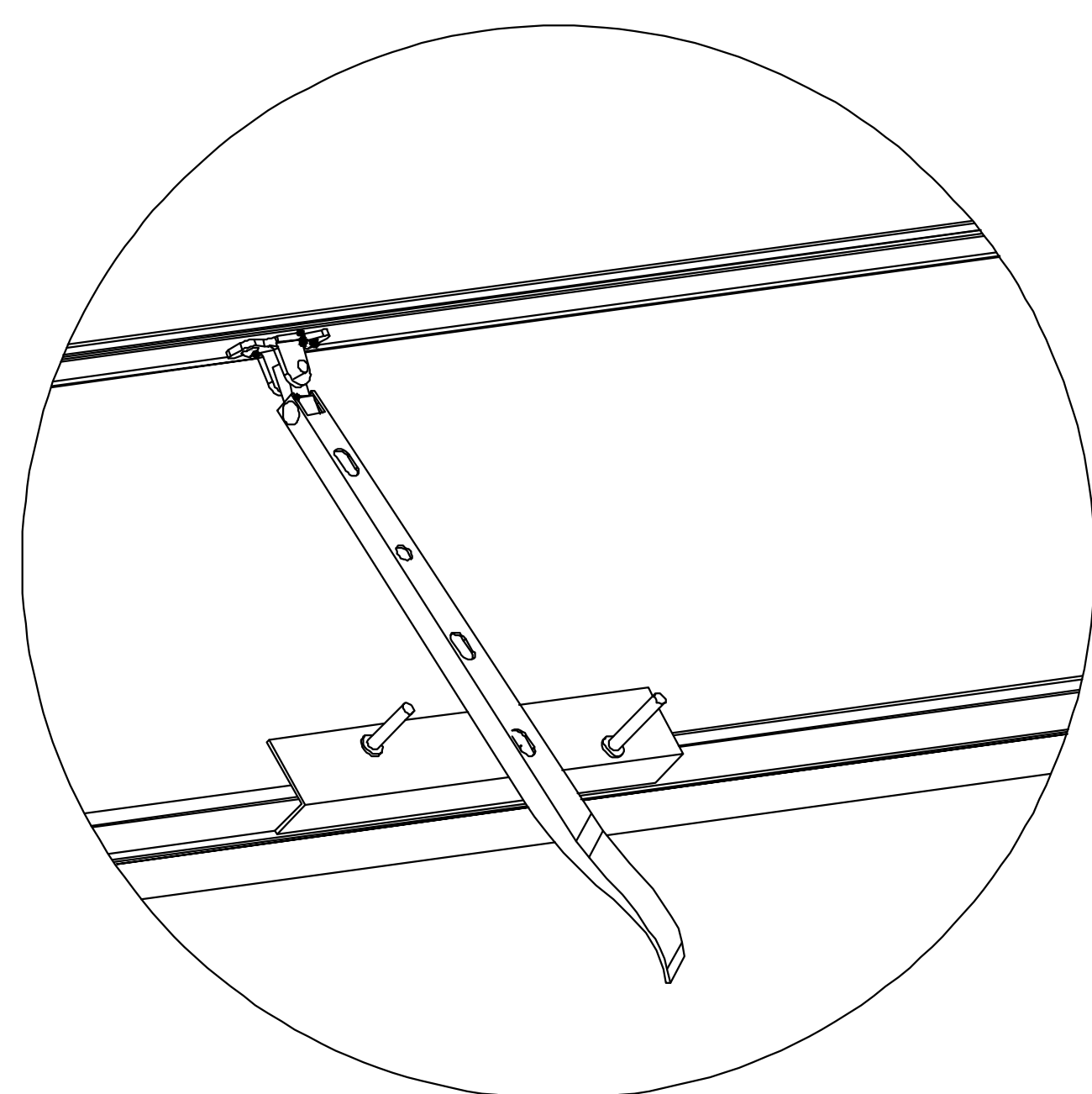
1. Assembly Advice .....	Page 1
2. Product Features .....	Page 2
3. Parts List .....	Page 3 -5
4. Door Assembly .....	Page 6 - 10
5. Roof Vent Assembly .....	Page 11 - 12
6. Base Assembly .....	Page 13-16
7. Framework & Glazing Assembly .....	Page 17 - 39

## Functions and Features:

1. The strong two part eaves beam includes an integral gutter. Downpipes are also included as standard so you can collect rainwater.

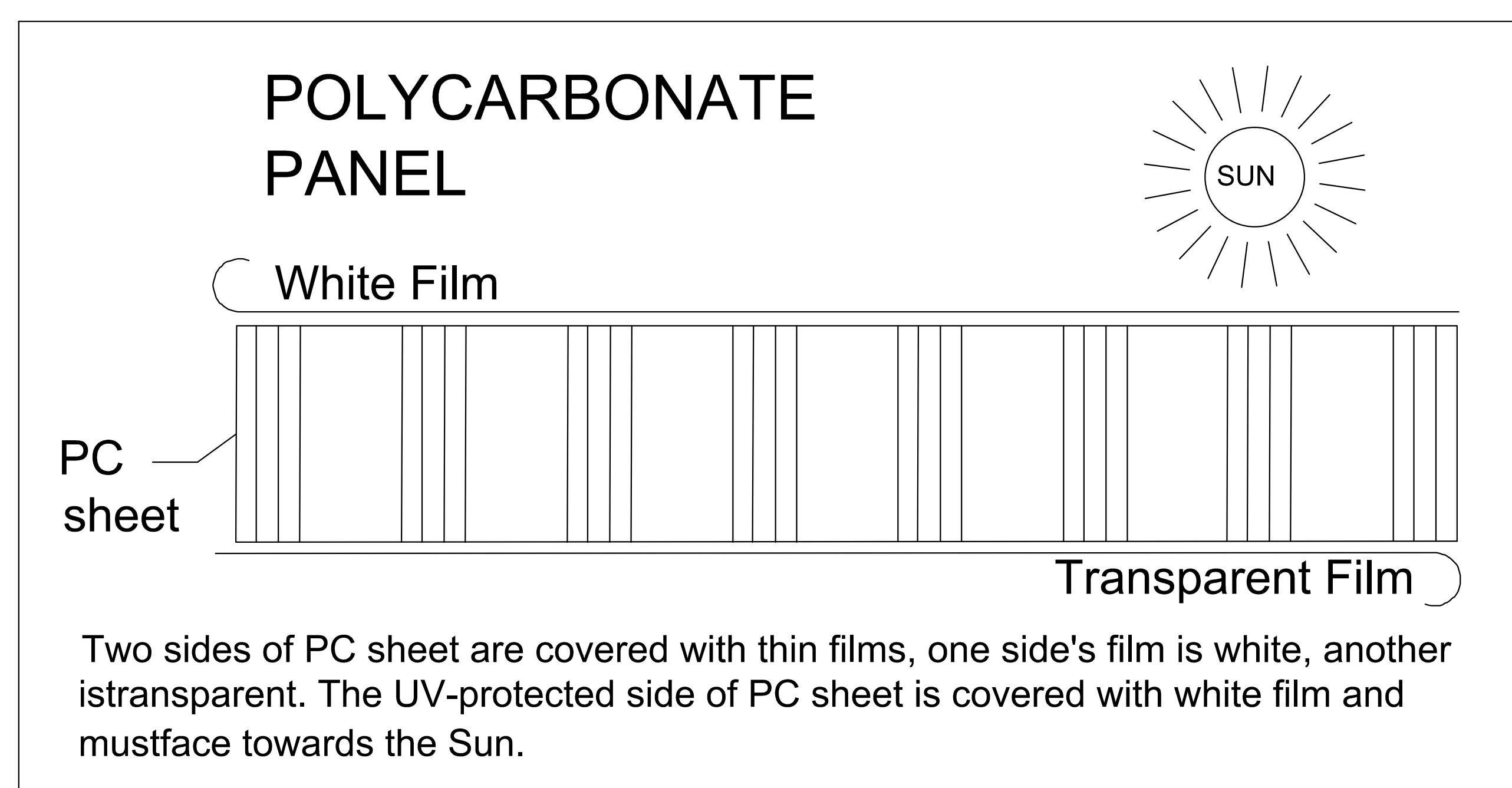


2. Manual window handles are included as standard with the roof vents.

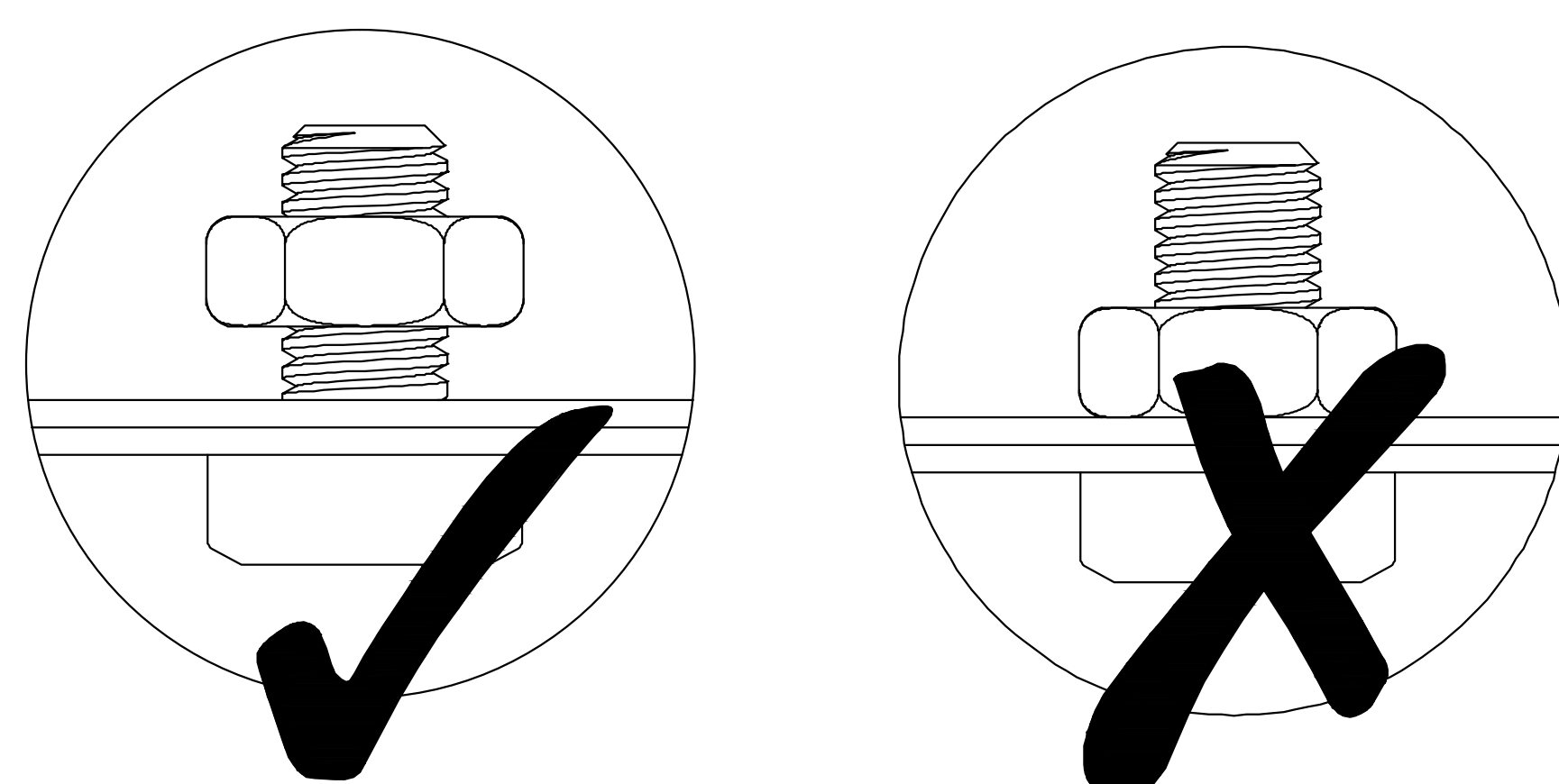


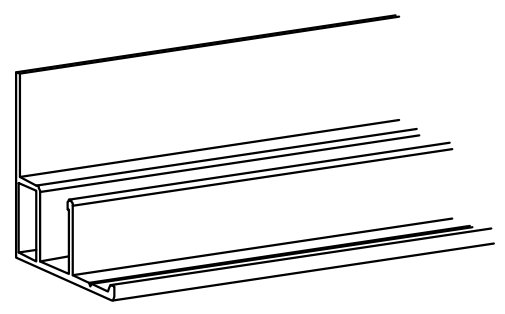
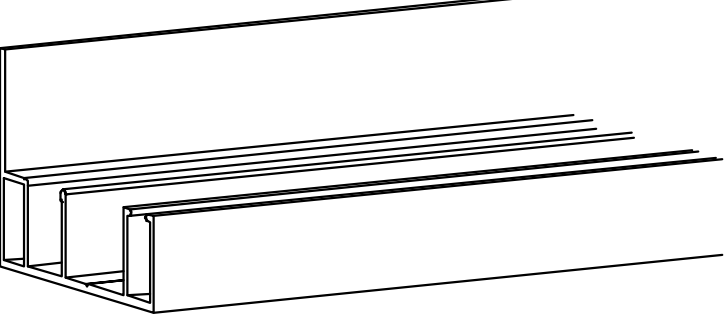
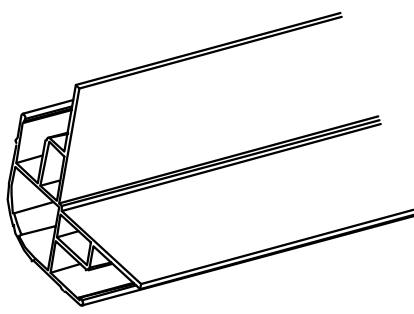
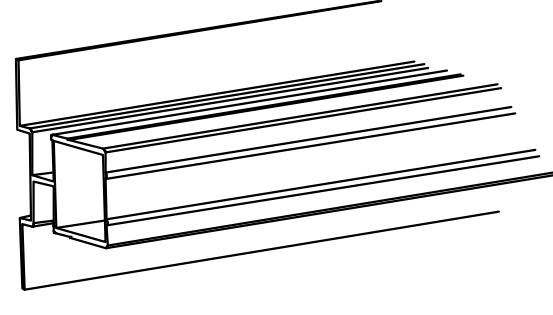
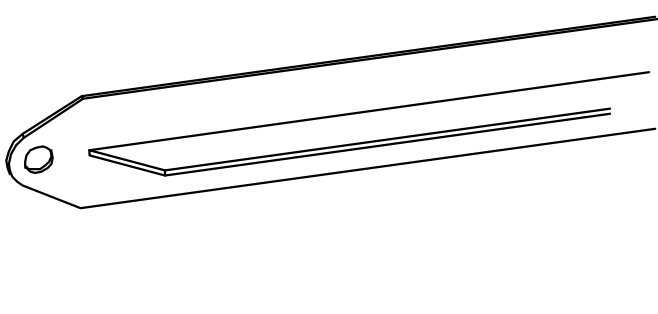
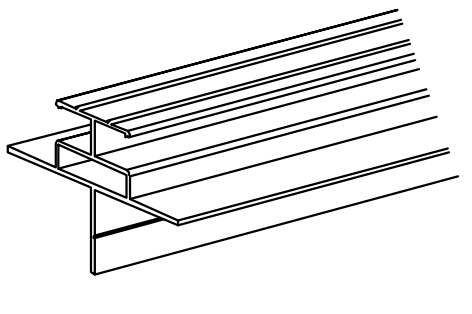
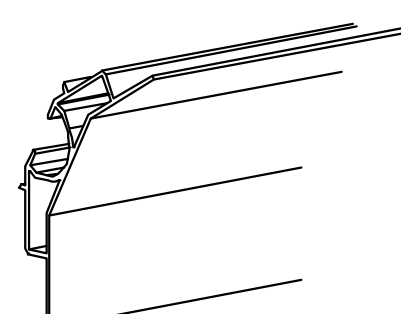
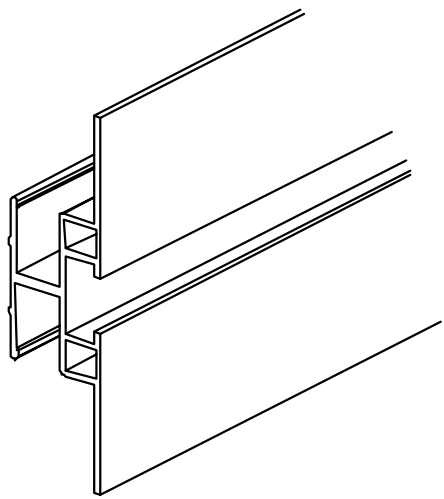
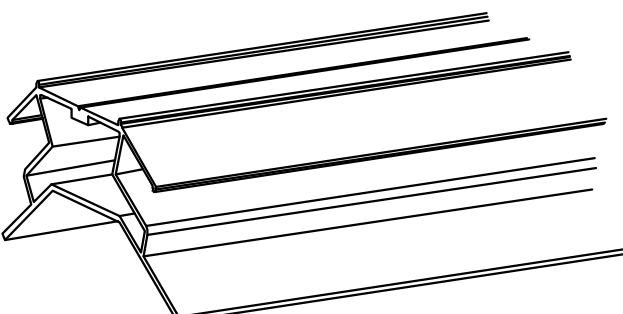
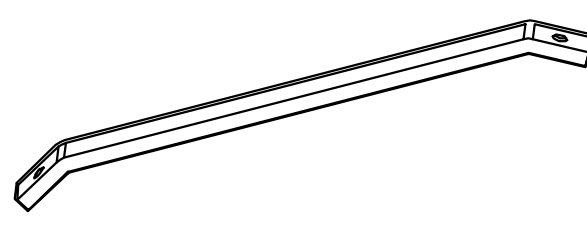
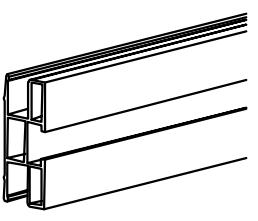
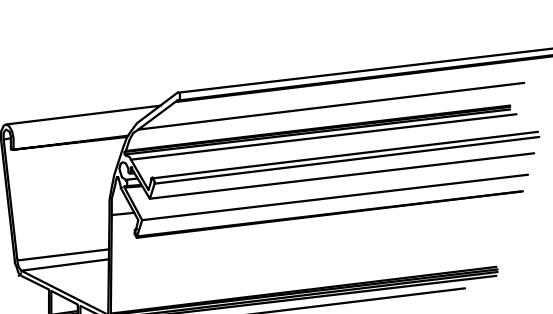
Manual Opener

3. Remove approximately 2 inches of film from all sheet edges before installing and remove all film immediately after the construction is completed. Please ensure that the side with the white film faces outwards.

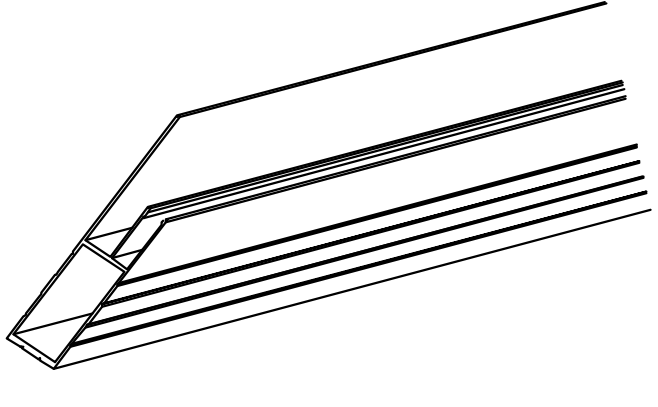
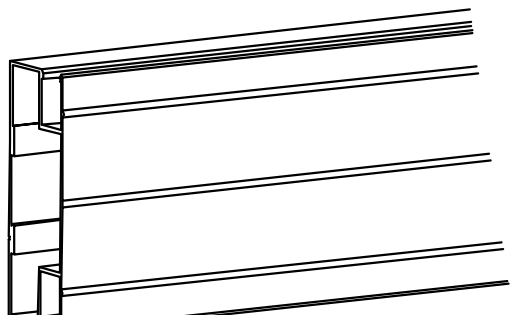
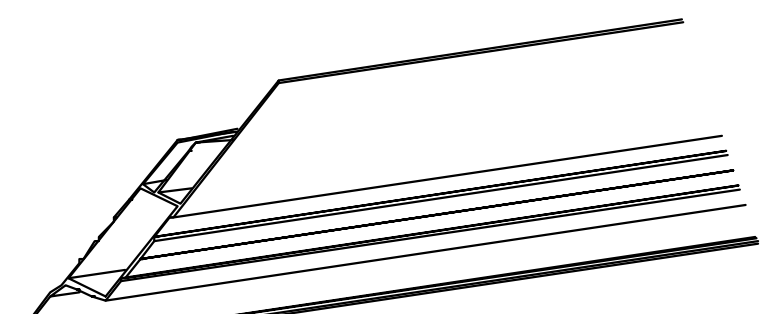


4. This quality greenhouse features self-tapping screws to provide strong joints. As the name suggests, the screws tap their own thread. Driving in self-tapping screws requires more force than conventional screws. A powered screwdriver is therefore recommended.
5. Nuts not to be tightened before the end of assembly! Unless otherwise stated, do not tighten the bolts/nuts/screws until the shed is finally erected!

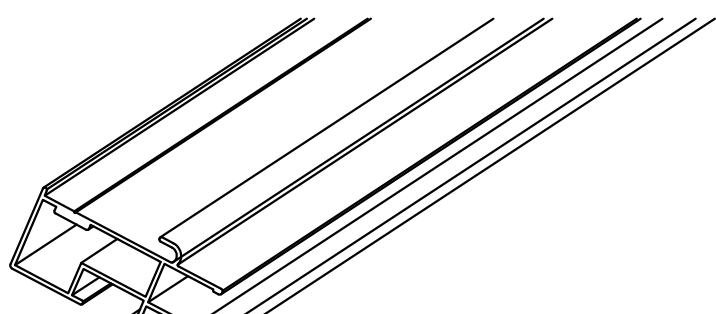
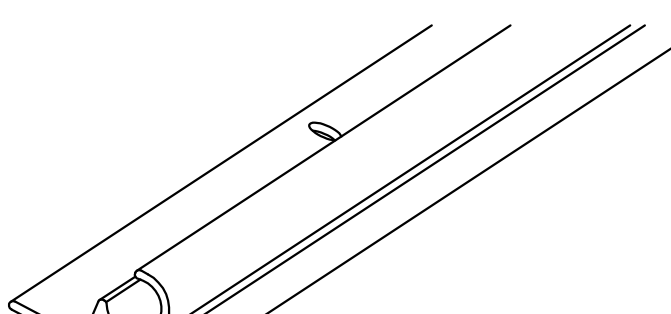
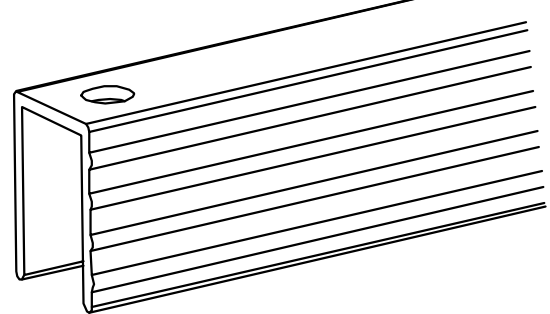
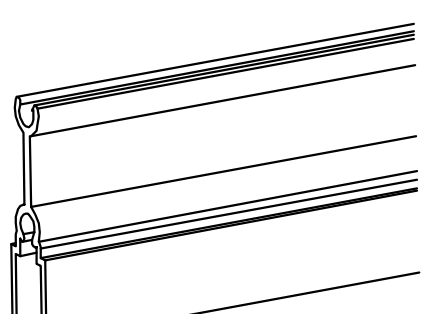
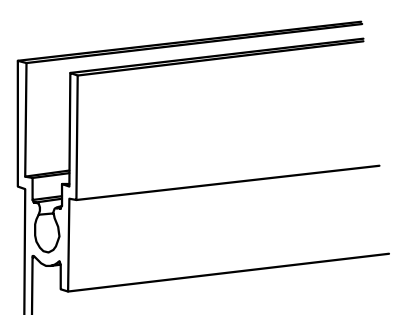


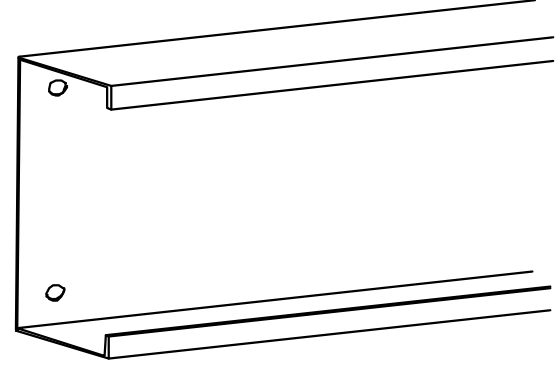
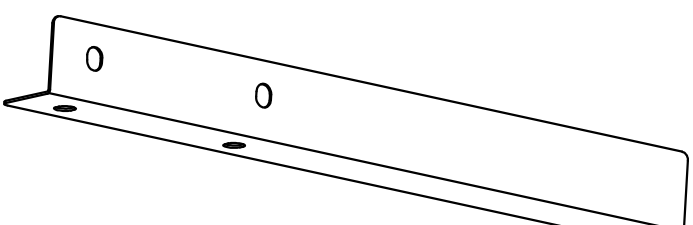
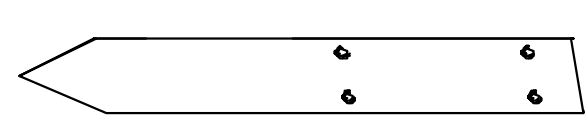

PART	NO	QTY	LEN(mm)
	1A	2	1121
	1B	2	1682
	1C	1	550
	1D	1	550
	2A	2	560
	2B	1	1122
	2C	1	1143
	3A	1	1447
	3B	1	1447
	3C	1	1447
	3D	1	1447
	3E	2	1247
	3F	2	1247
	4A	1	1776
	4B	1	1776
	4C	2	1656
	4D	1	1656
	4E	1	1610
	4F	1	1610
	5A	4	1663
	5B	6	1101
	5C	3	600
	5D	2	541
	6A	2	1447
	6B	2	1447
	7A	2	1121
	7B	2	1682
	8A	6	1447
	8B	6	1247
	8C	2	420
	8D	6	540
	9A	1	1121
	9B	1	1682
	11	3	333
	12	2	540
	16A	2	1122
	16B	2	1683

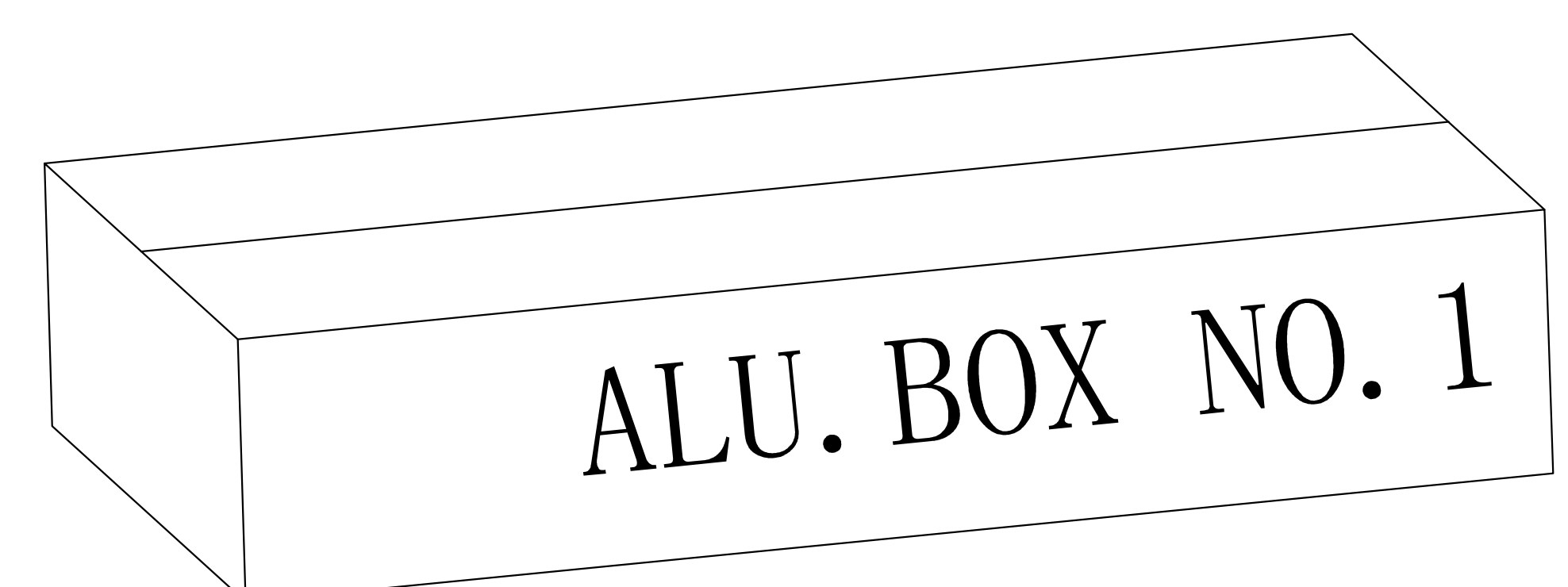
## door

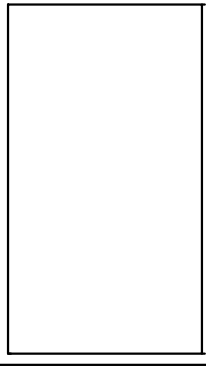

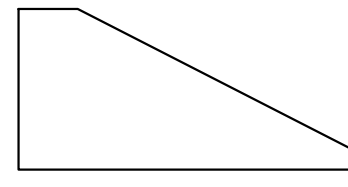
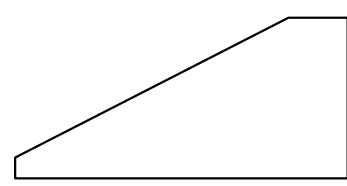
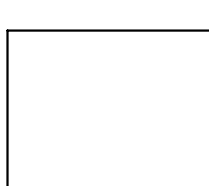
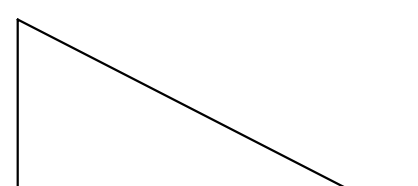
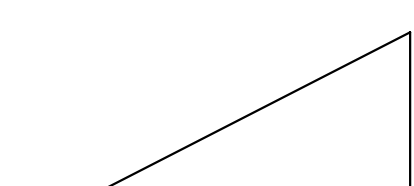


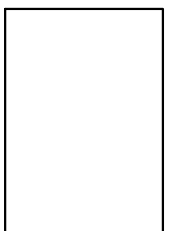
PART	NO	QTY	LEN(mm)
	18	2	1760
	19	2	464
	20A	2	546
	20B	2	546
	20C	1	1791
	20D	1	1791

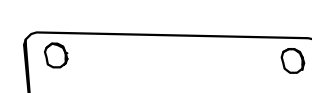
## window

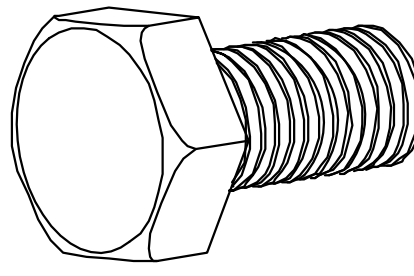
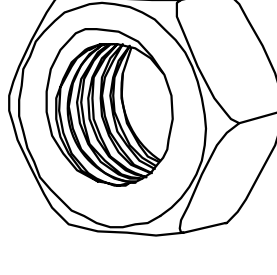
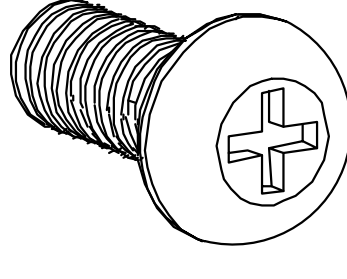
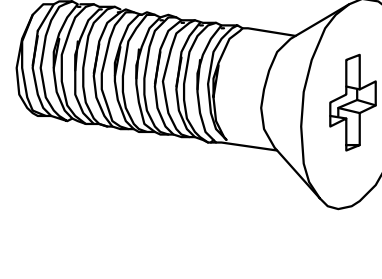
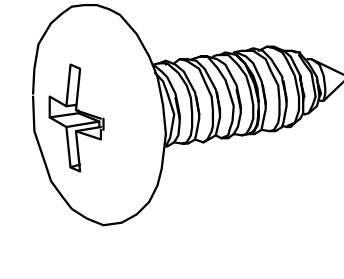
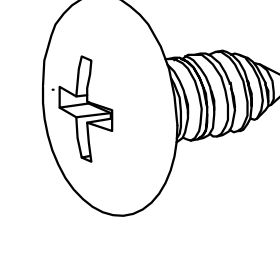
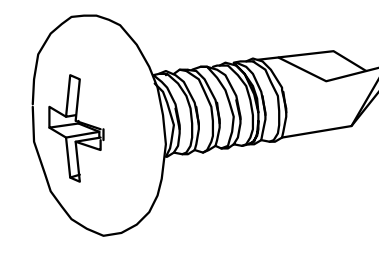
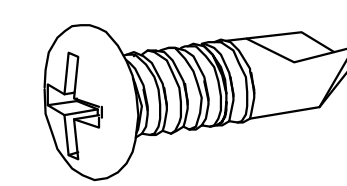
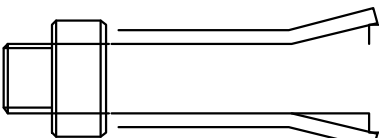
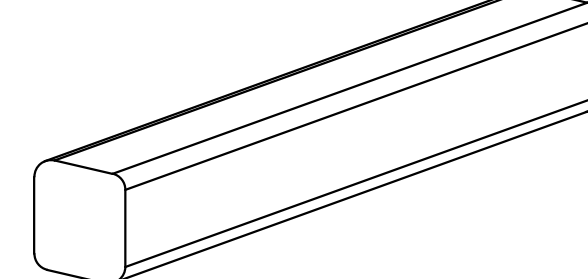
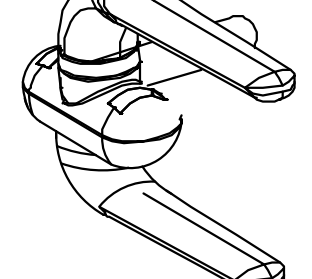
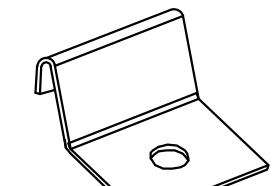
PART	NO	QTY	LEN(mm)
	14	2	540
	15	2	554
	22	4	748
	23	2	554
	24	2	554

PART	NO	QTY
	B1	2
	B2	4
B1:579 B2:1150 B3:1712	B3	2
	B4	4
	B5	3
	T5	4

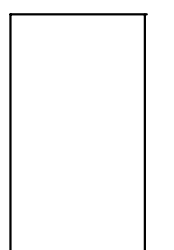
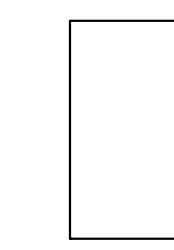
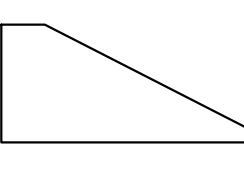
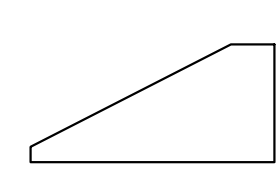
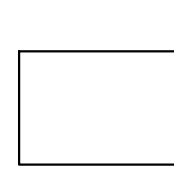
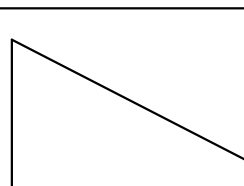
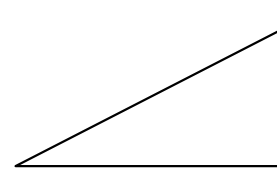
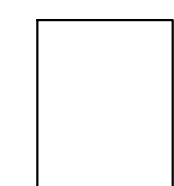
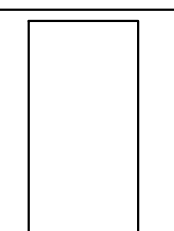
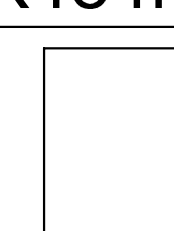


PART	NO	QTY
 1425X558mm	P1	6
 1468X558mm	P2	10
 245X558mm	P3	2
 245X558mm	P4	2
 243X558mm	P5	6
 448X776mm	P6	2
 448X776mm	P7	2
 726X552mm	P8	2
 841X484mm	P9	4
 1271X558mm	P10	8

PART	NO	QTY
	J55	2
	J56R	2
	J56L	2
	J165	4
	J166	4
	S7	4
	S8	4
	S9	2
	T4	4
	10	1
	13	2
	17	2
	21	8
	B6	5
	B7	4
	B8	2
	Z1	2

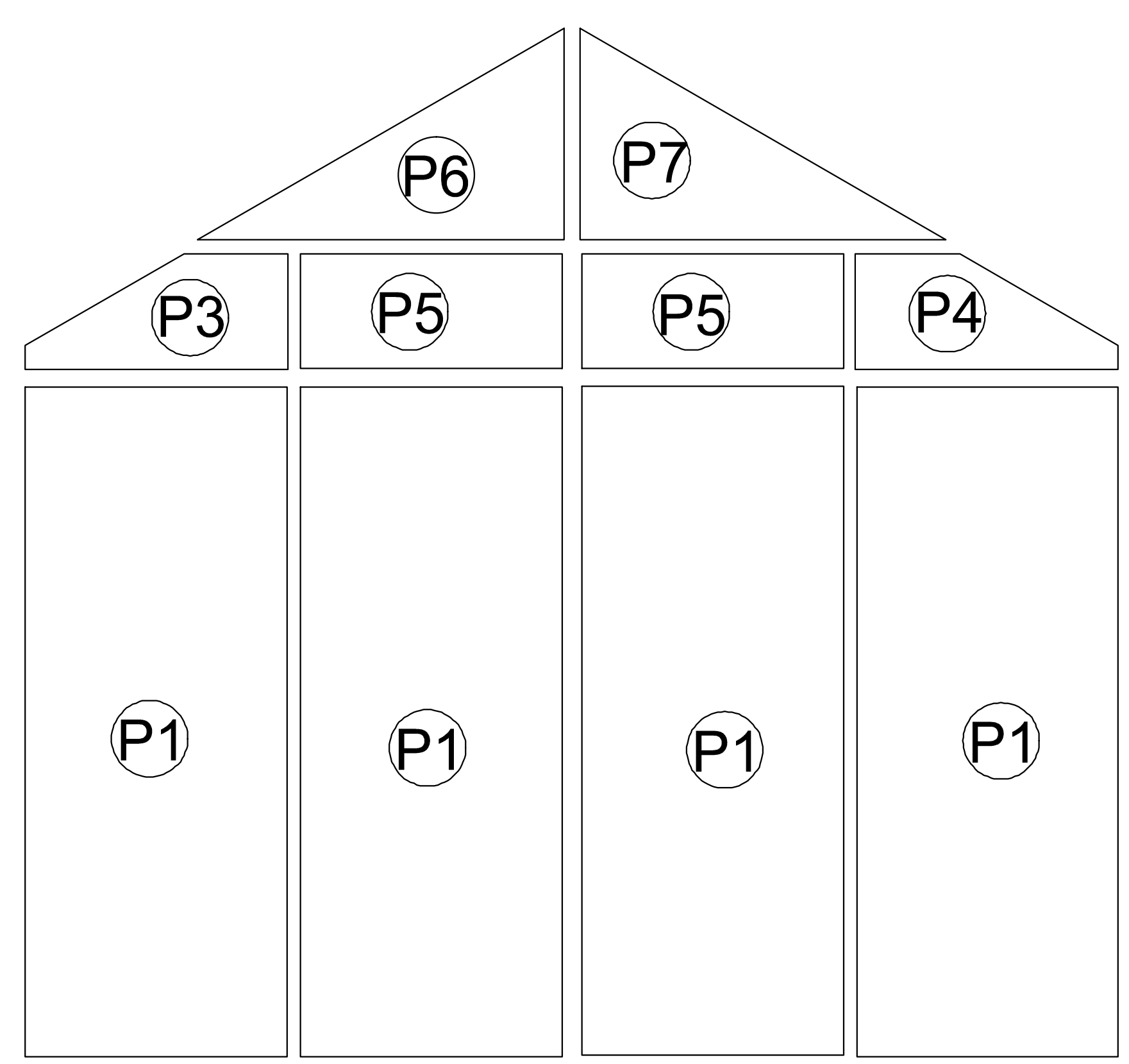
PART	NO	QTY
	F1 M6X12	258
	M6 M6	258
	F2 M5X12	12
	F3 M5X12	16
	F4 Ø4.2X10	20
	F5 Ø4.2X5	4
	F6 Ø4.2X13	72
	F7 Ø3.5X16	6
	F8 M6X60	16
	T2	1
	T3	1
	B9	16

PC/Plastic  
NO. 2

PART	NO	QTY
	P1	6
1425X558mm		
	P2	10
1468X558mm		
	P3	2
245X558mm		
	P4	2
245X558mm		
	P5	6
243X558mm		
	P6	2
448X776mm		
	P7	2
448X776mm		
	P8	2
726X552mm		
	P9	4
841X484mm		
	P10	8
1271X558mm		

# Panel Exploded View

## Back Wall

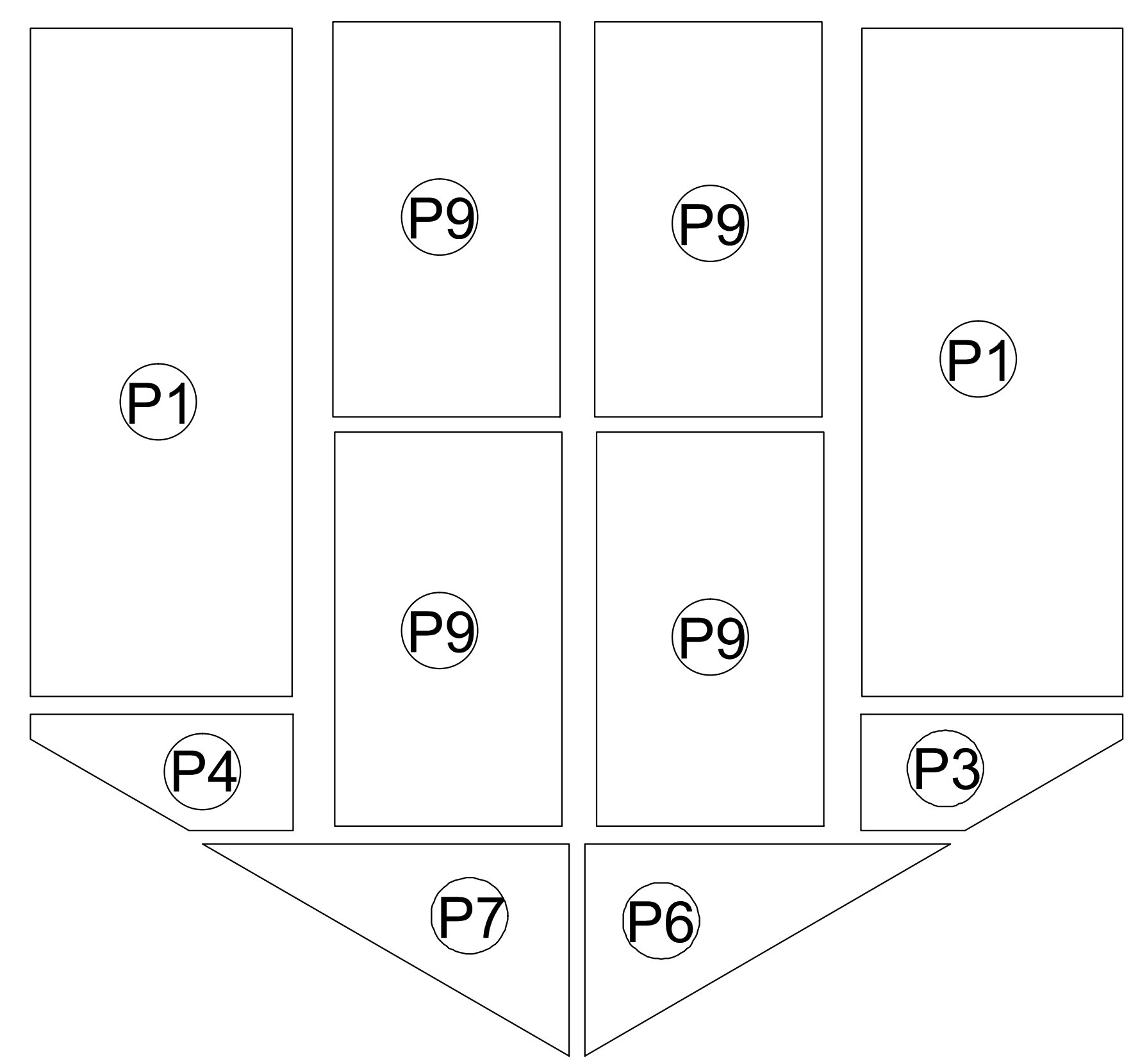


## Side Wall

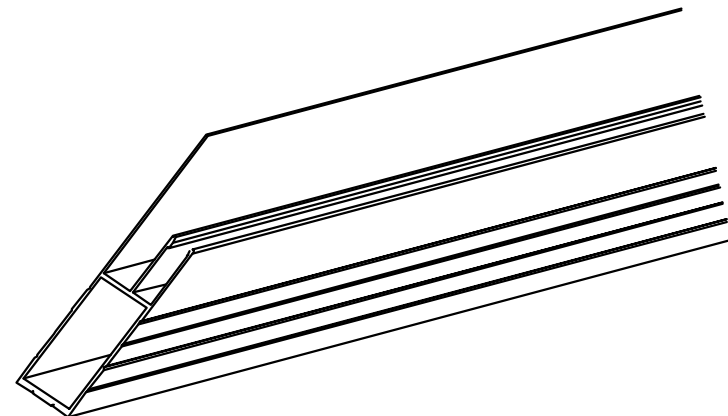
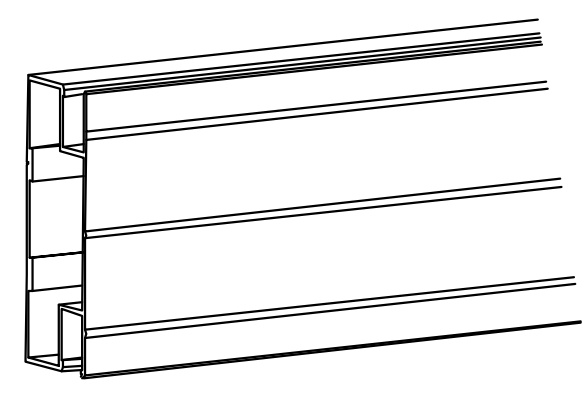
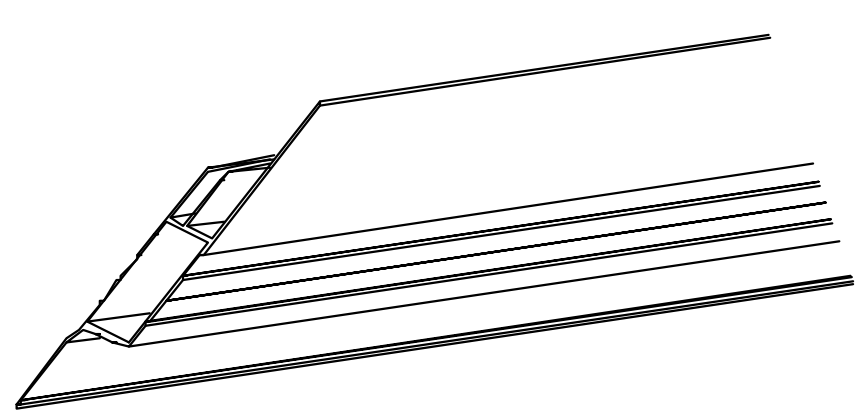
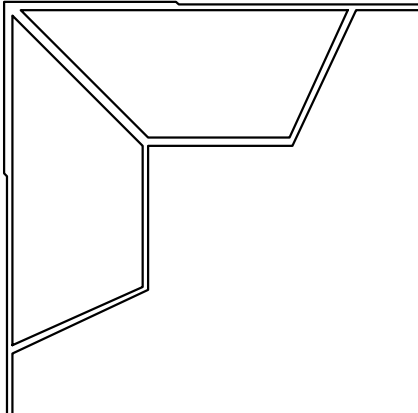
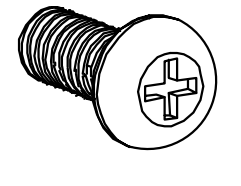
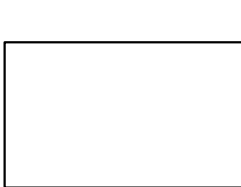


## Side Wall

## Front Wall

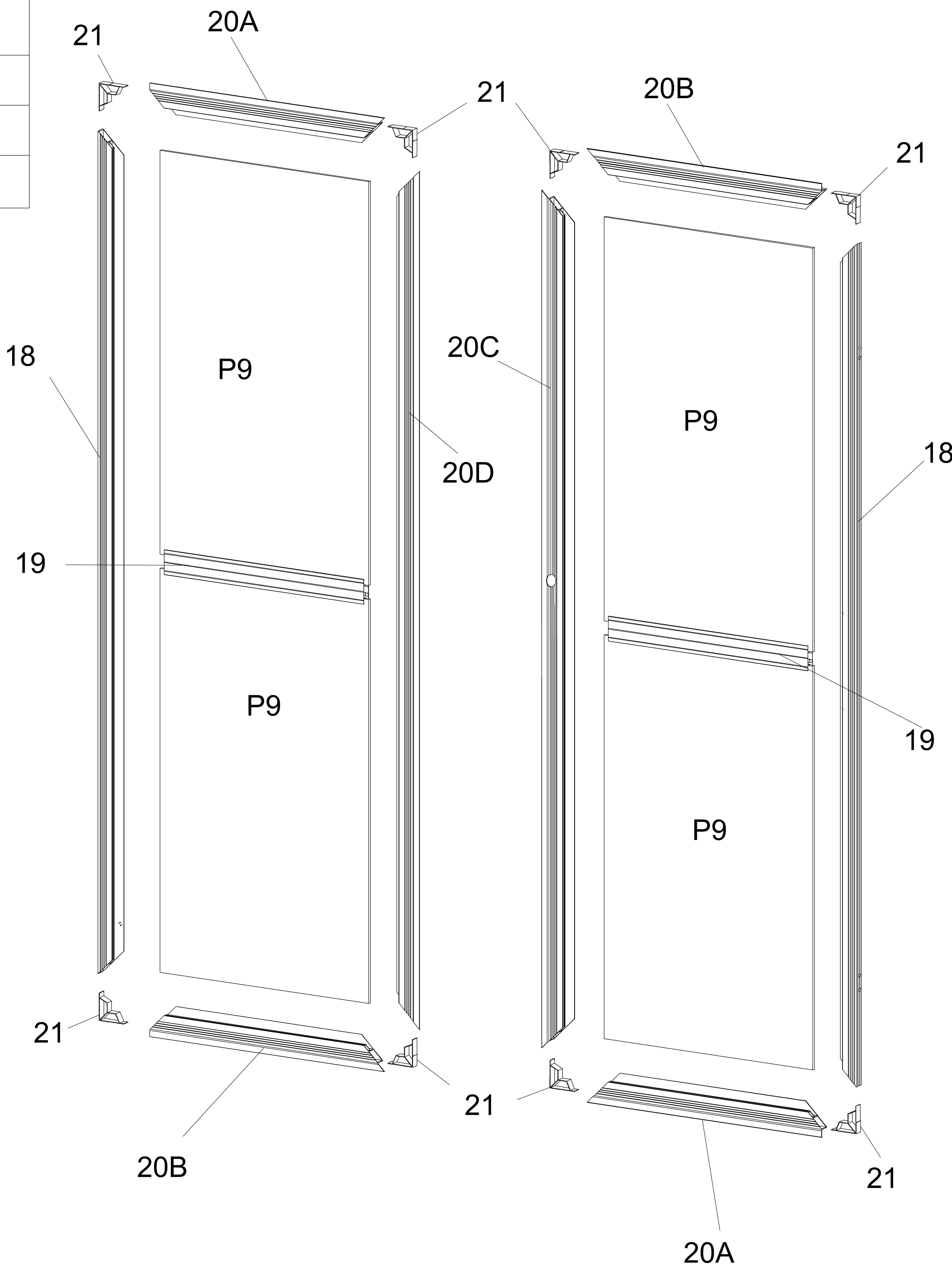


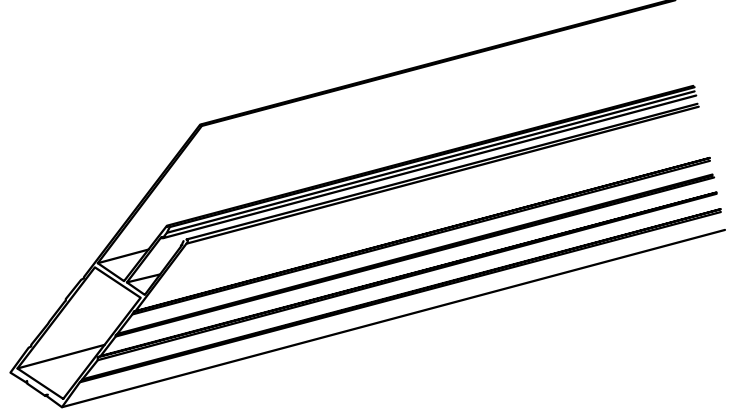
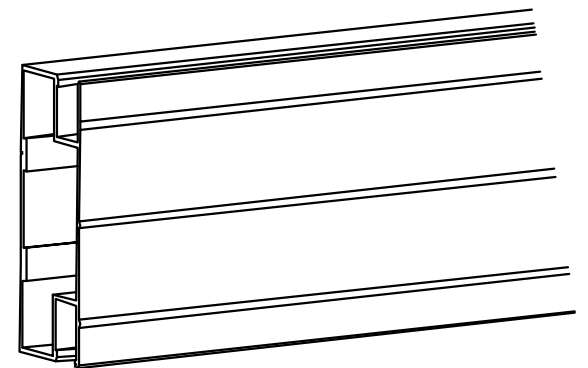
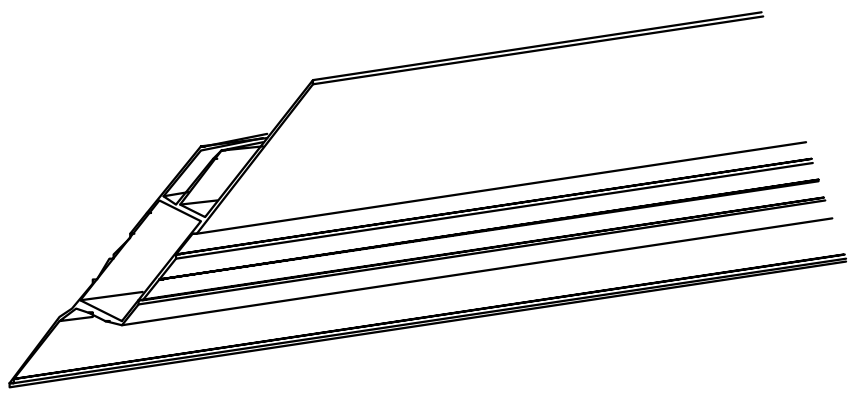
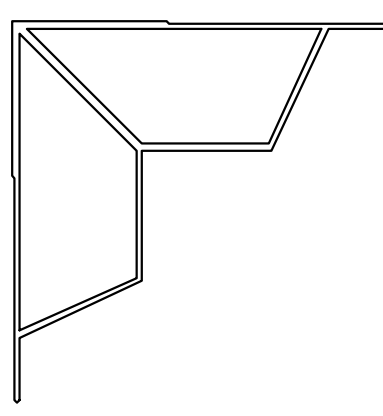
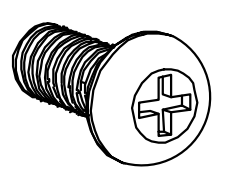
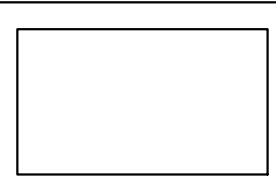
# Exploded View

PART	NO	QTY
	18	2
	19	2
	20A	2
	20B	2
	20C	1
	20D	1
	21	8
	F2 M5X12	8
	F6 M4.2X13	32
	P9	4

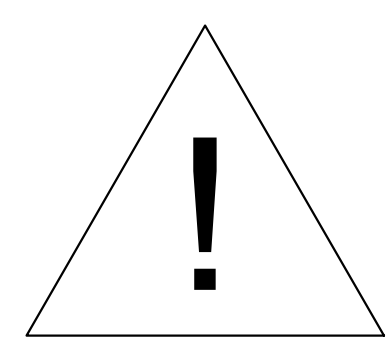
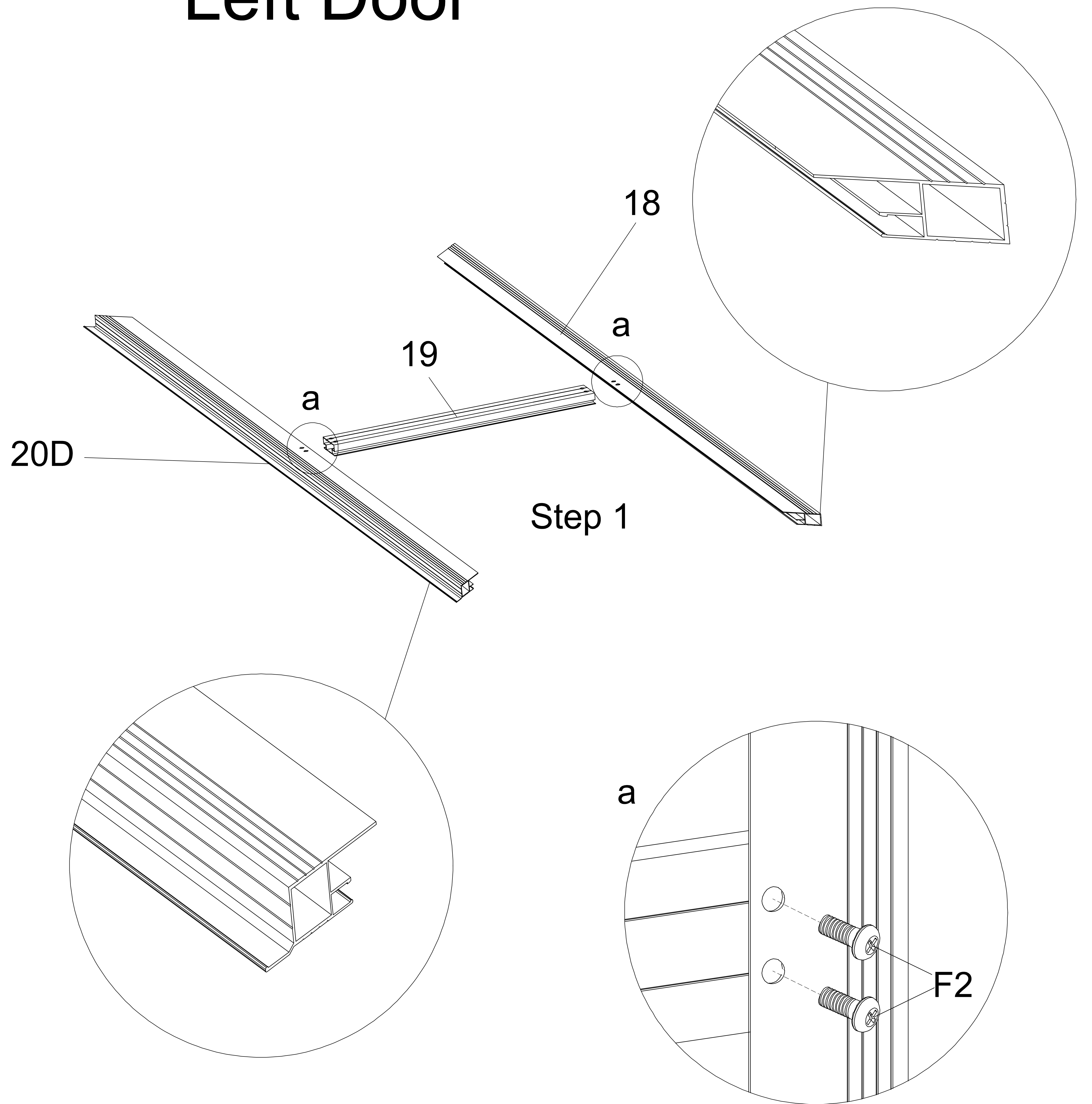
## Left Door

## Right Door

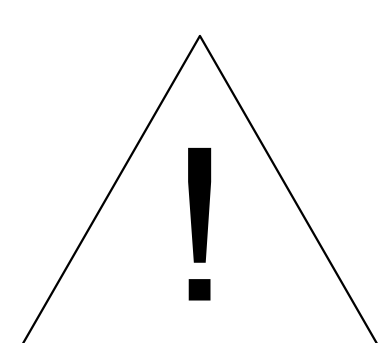
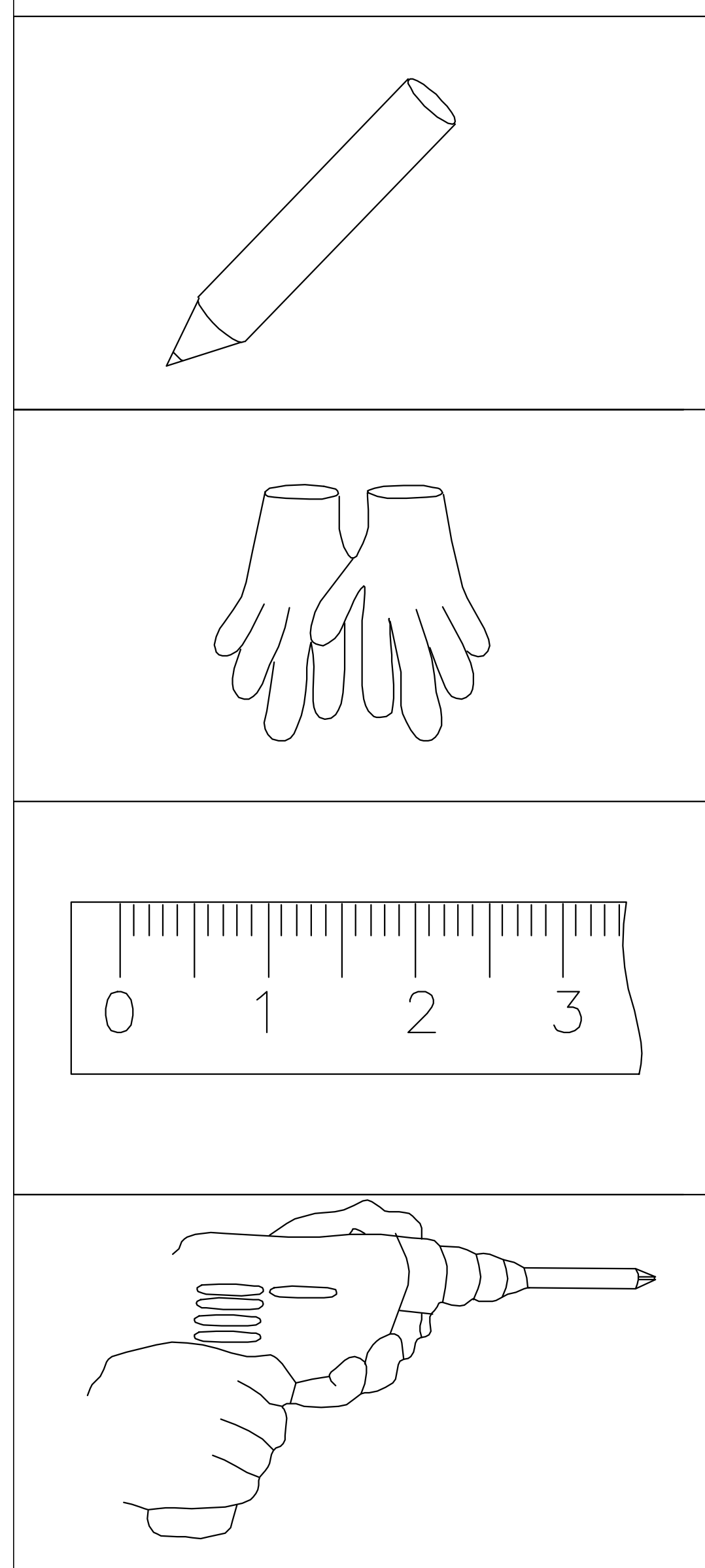
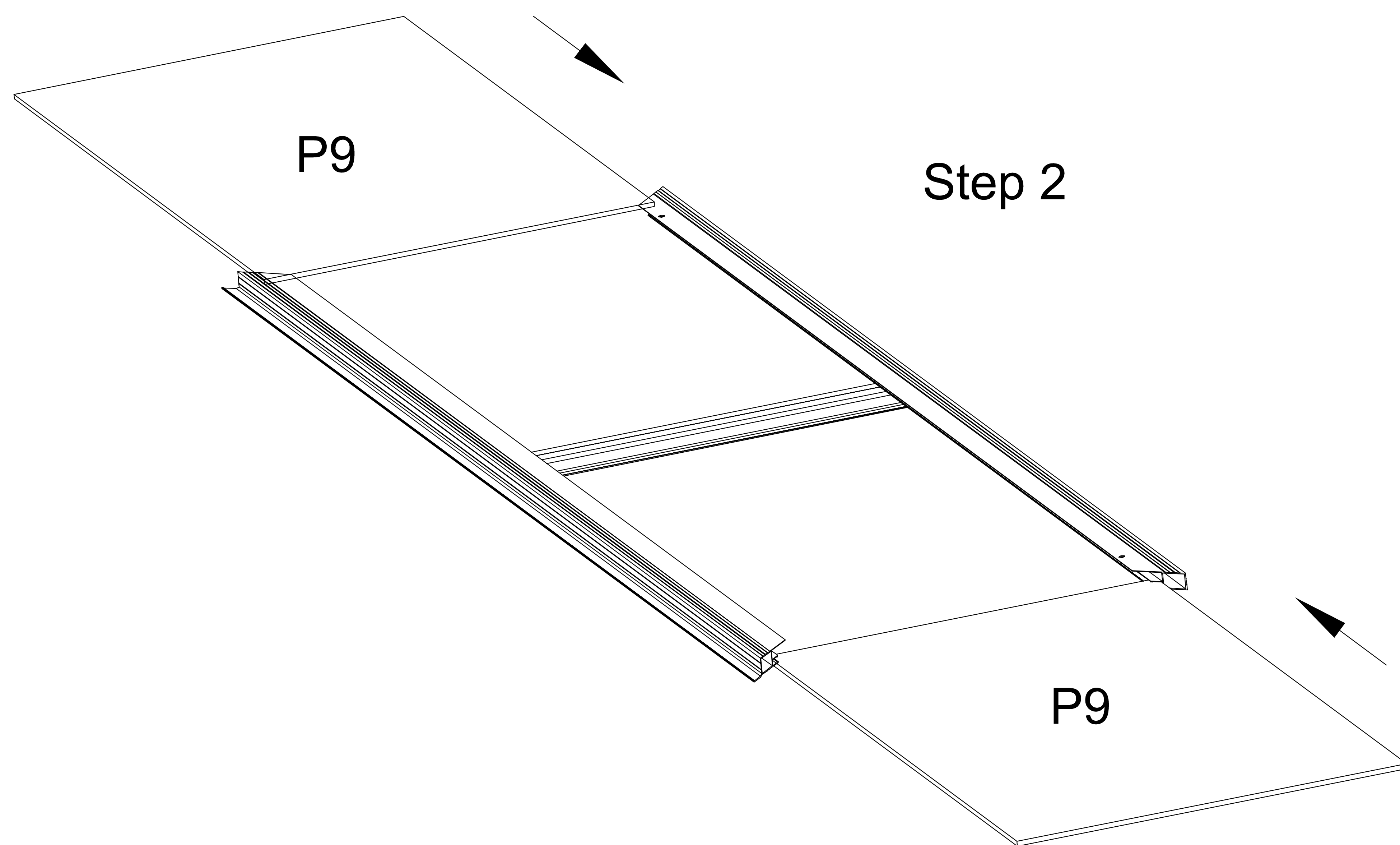


PART	NO	QTY
	18	1
	19	1
	20A	1
	20B	1
	20D	1
	21	4
	F2 M5X12	4
	F6 M4.2X13	16
	P9	2

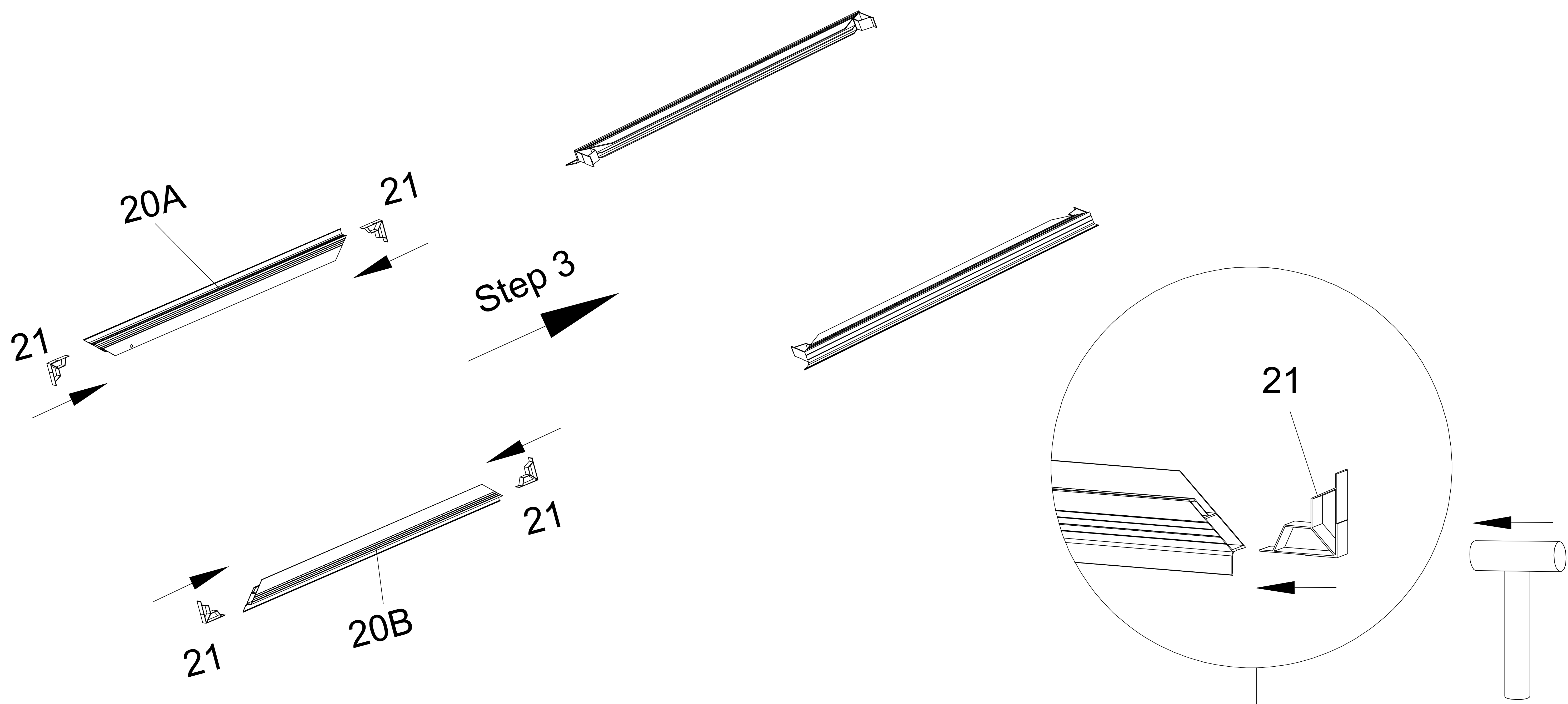
# Left Door



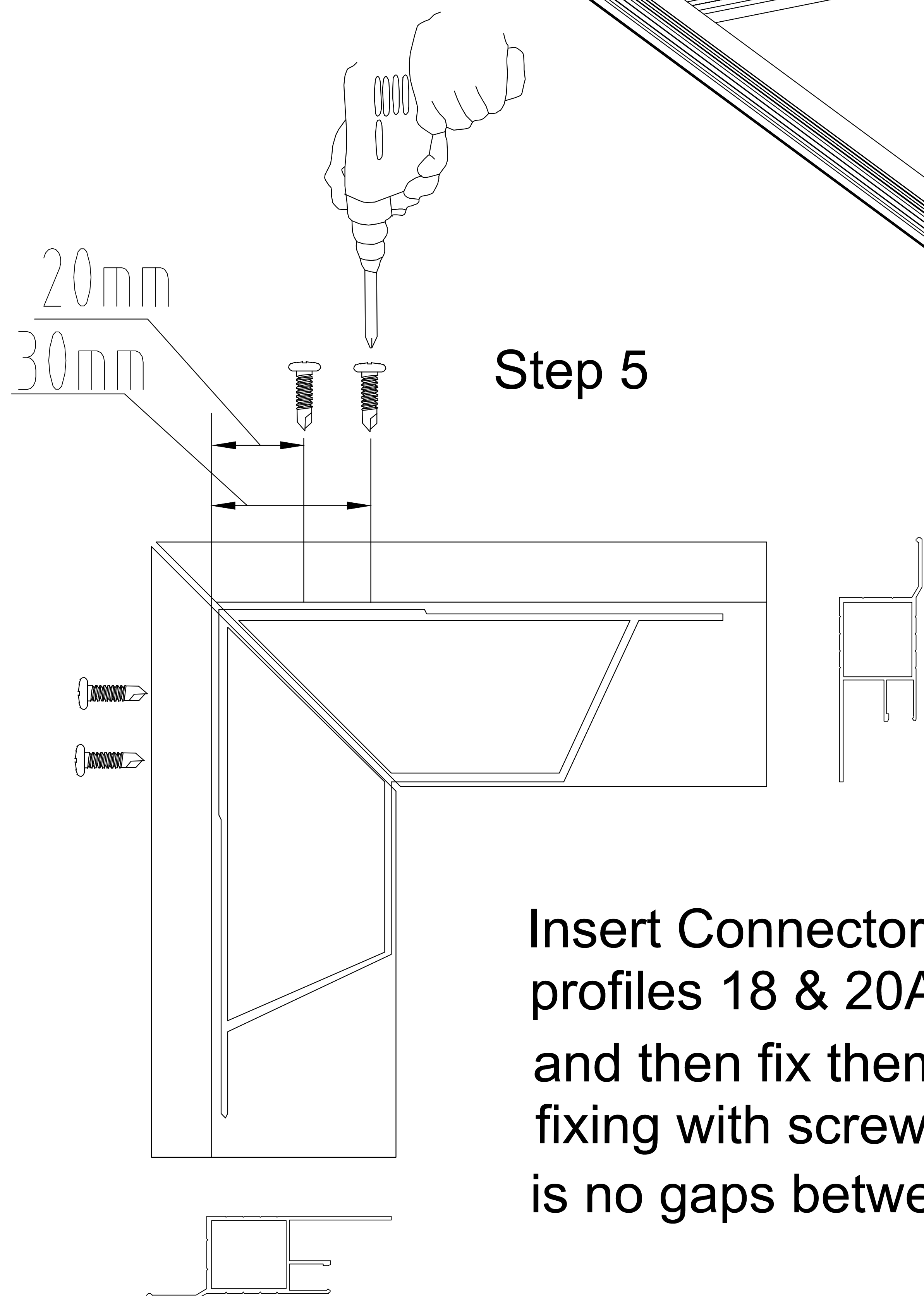
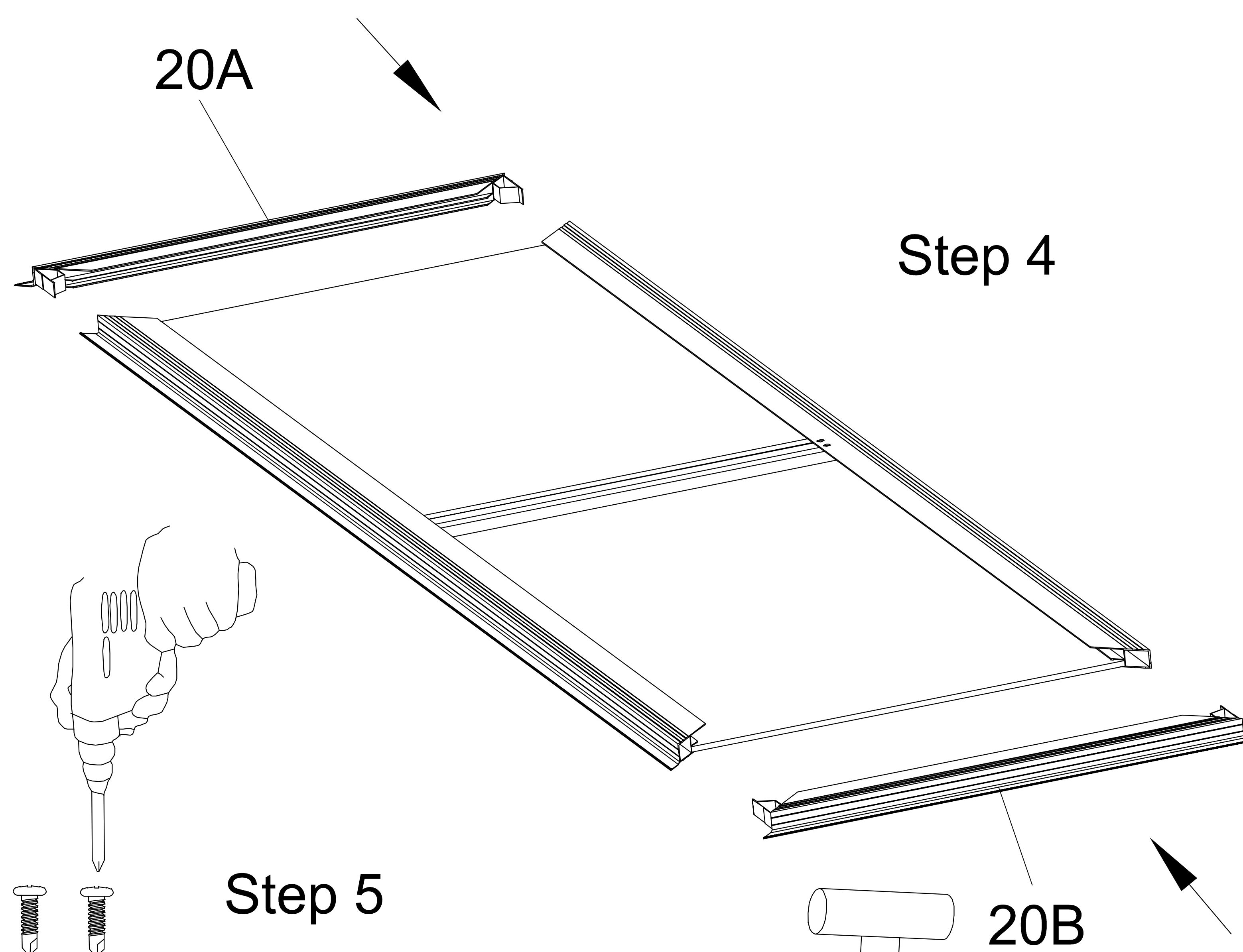
! Attention: Check the direction of the accessories



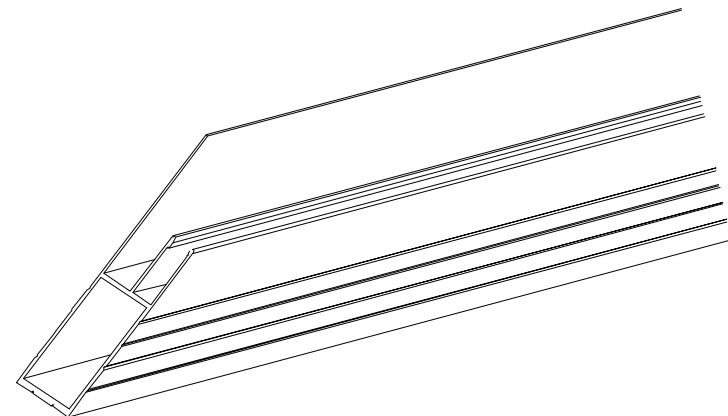
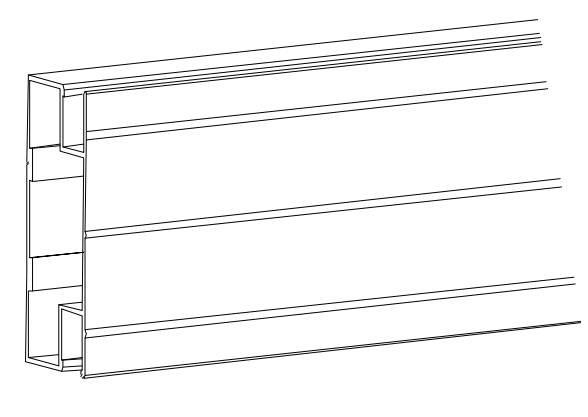
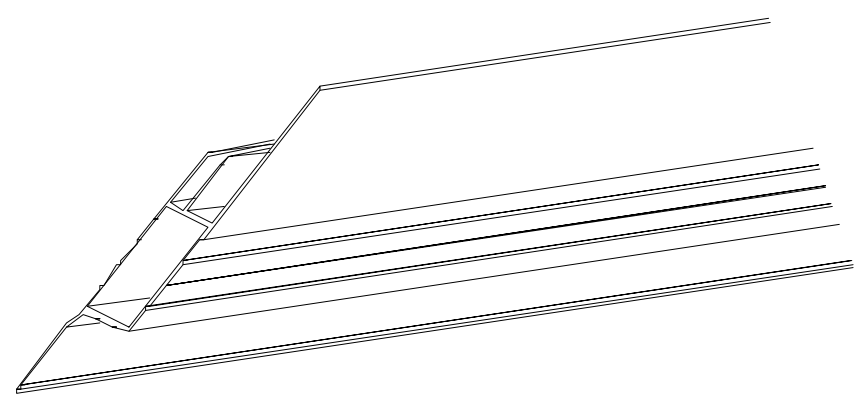
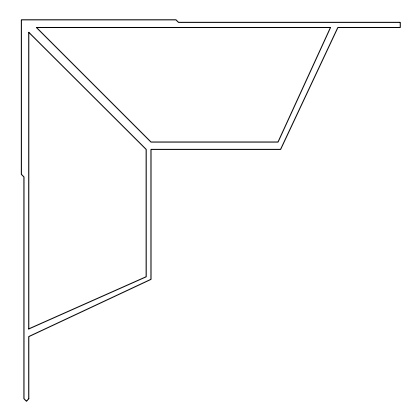
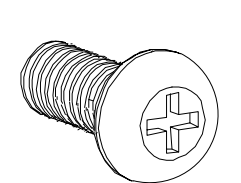
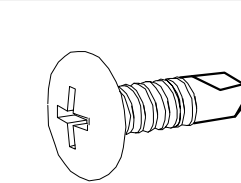
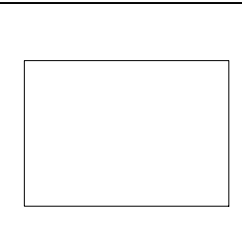
! Attention: Remove the protective films from both sides of each polycarbonate panel, before inserting into aluminum channels. Ensure the milky white film faces towards the Sun.



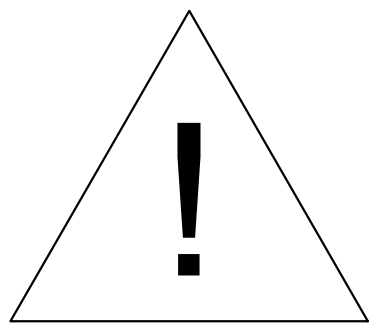
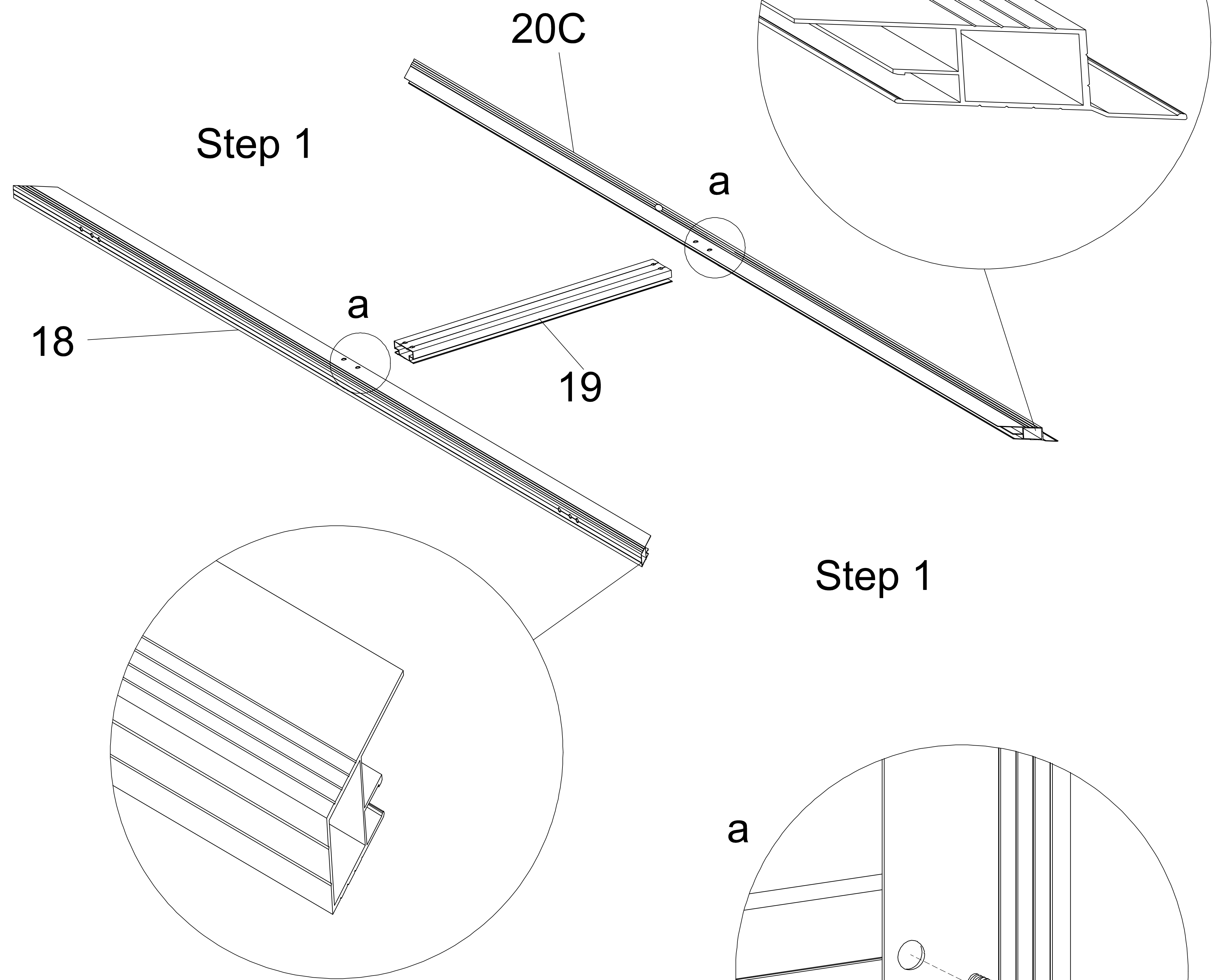
**!** Attention! When installing the Connector 21, you need to use a rubber mallet to lightly tap the snap into.



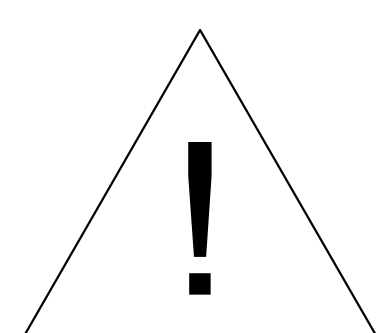
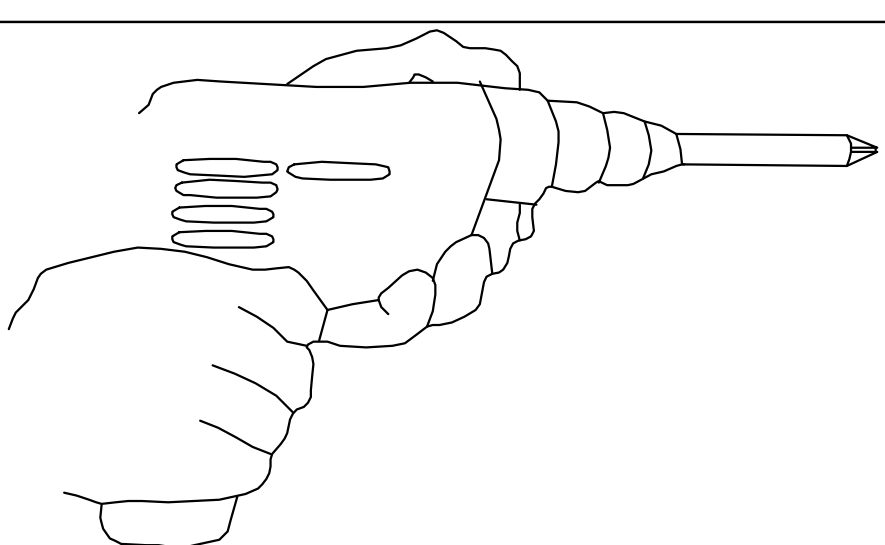
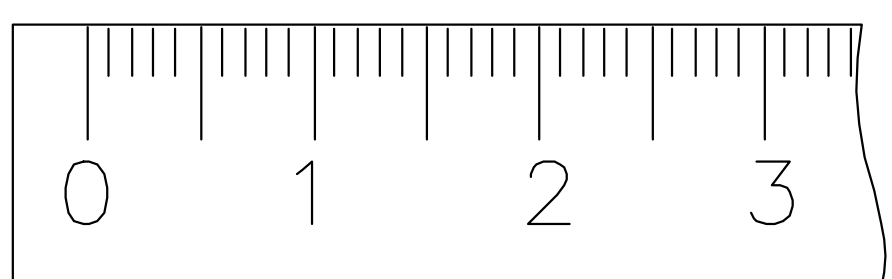
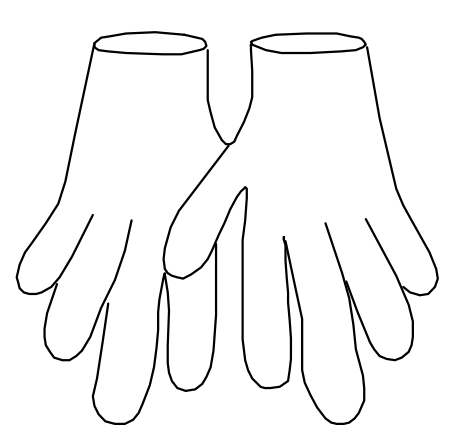
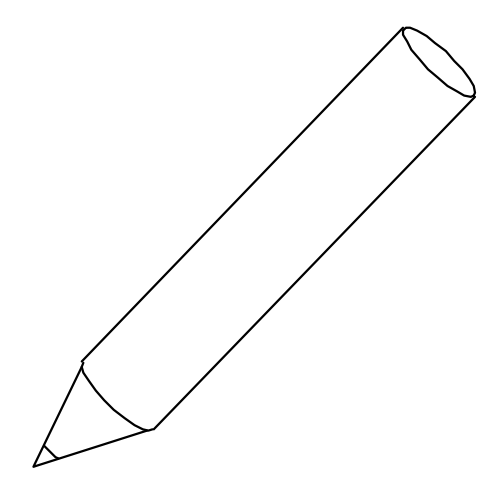
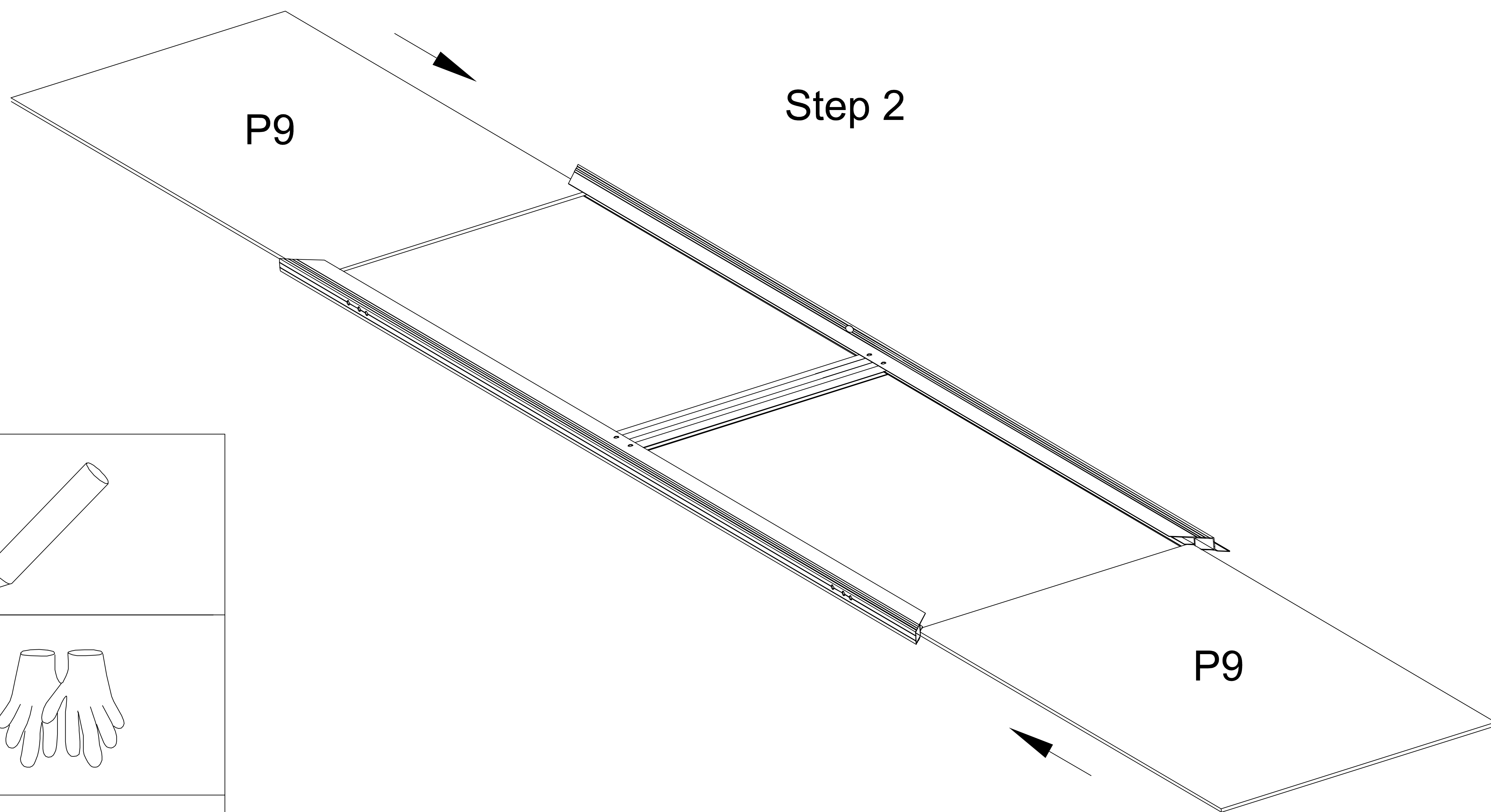
Insert Connector 21 into each end of frame profiles 18 & 20A & 20B & 20D, and then fix them with screws F6. fixing with screws, and make sure there is no gaps between each profile.

PART	NO	QTY
	18	1
	19	1
	20A	1
	20B	1
	20C	1
	21	4
	F2 M5X12	4
	F6 M4.2X13	16
	P9	2

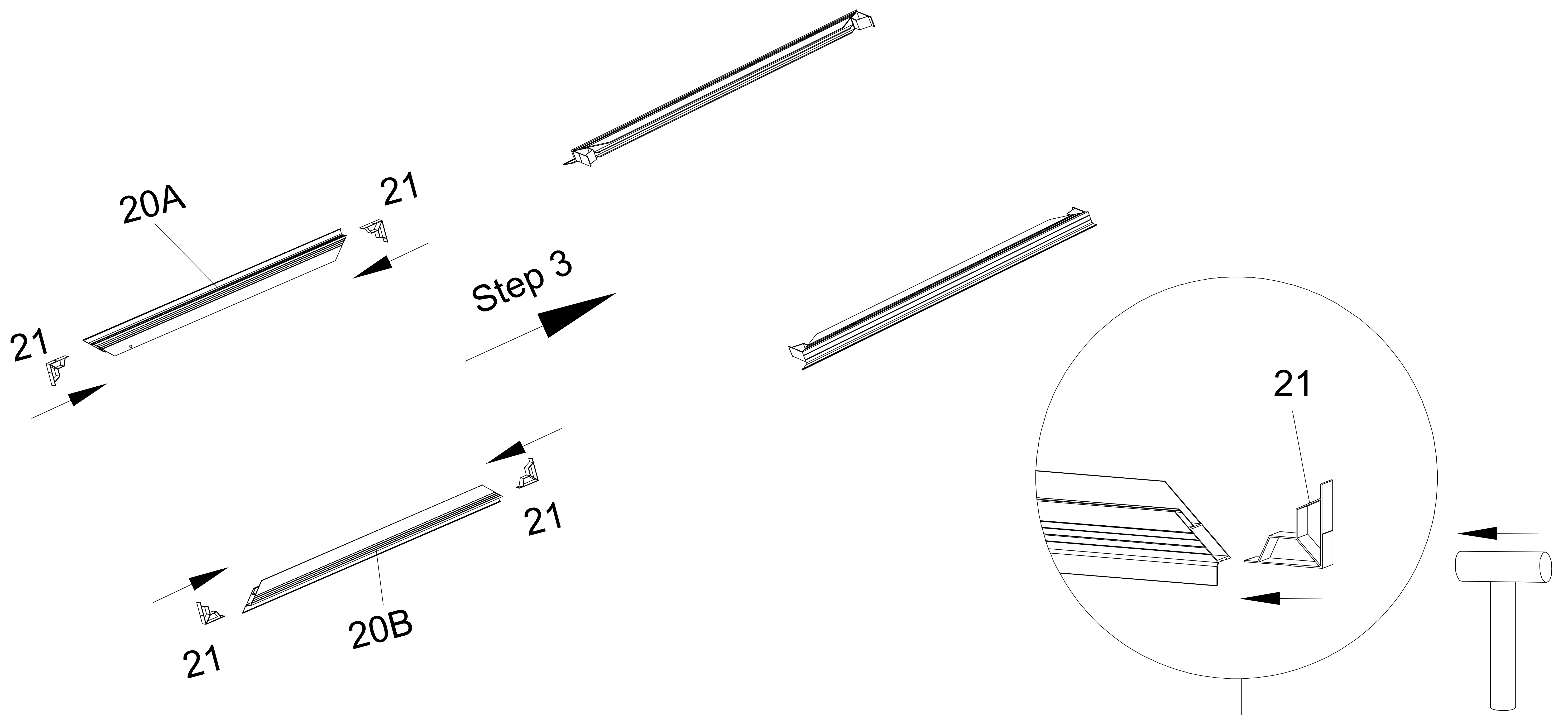
# Right Door



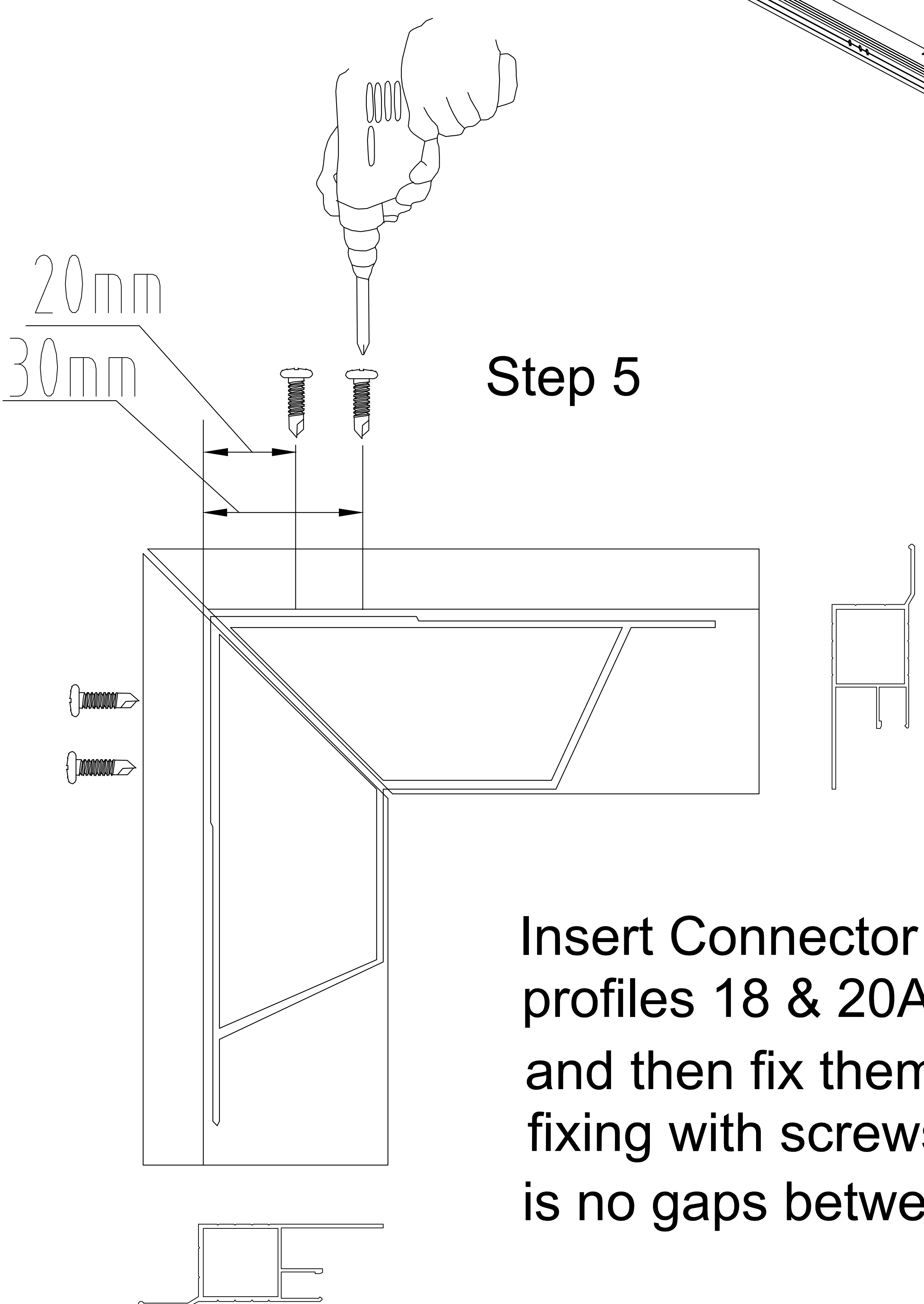
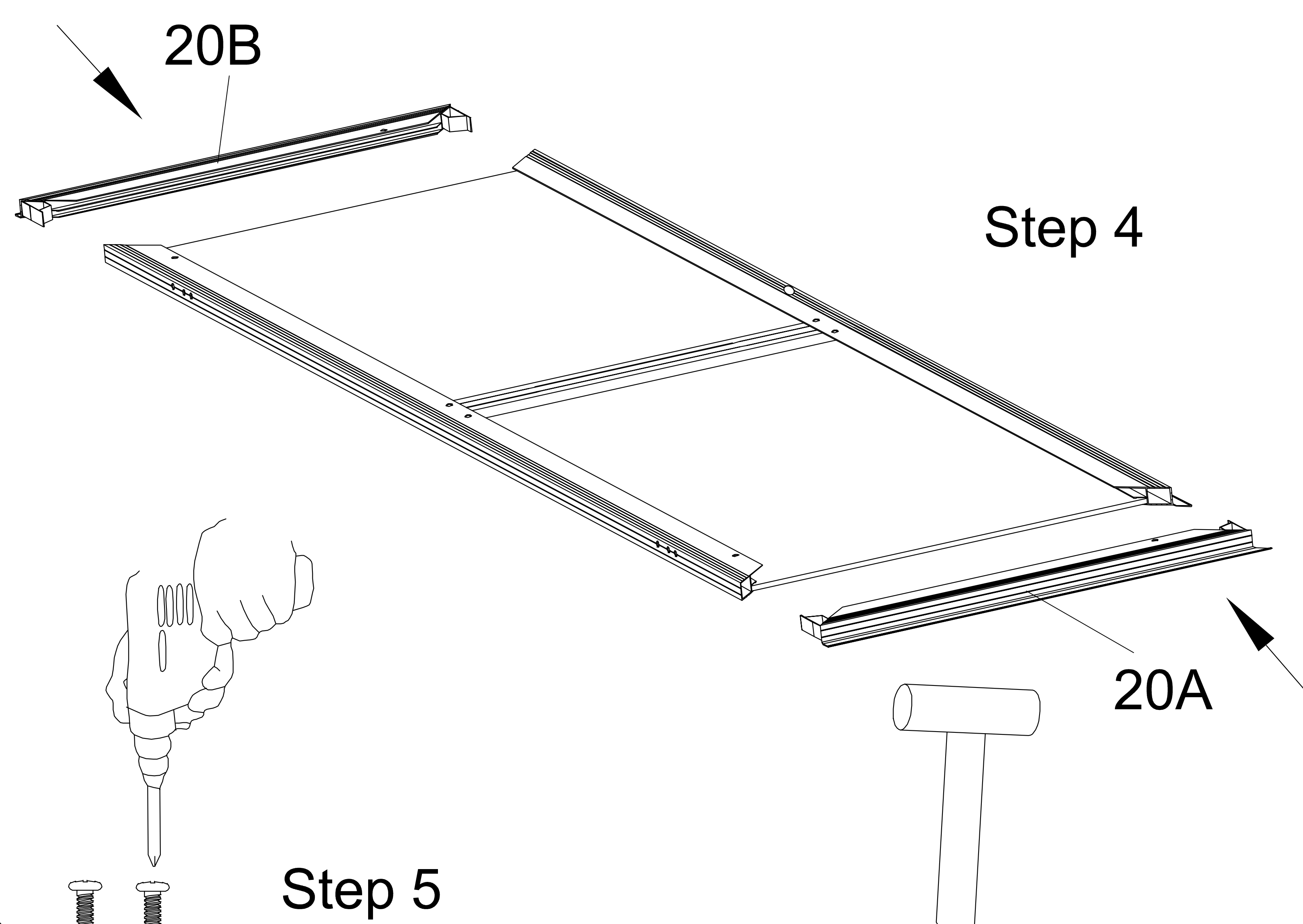
**! Attention: Check the direction of the accessories**



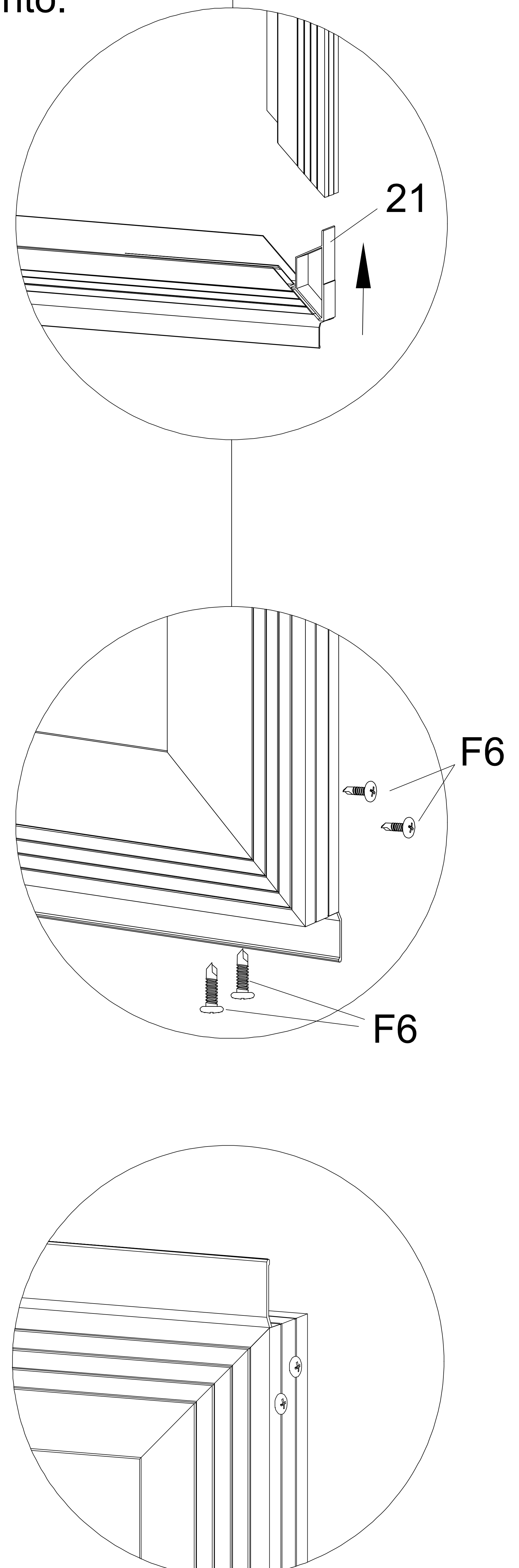
**! Attention: Remove the protective films from both sides of each polycarbonate panel, before inserting into aluminum channels. Ensure the milky white film faces towards the Sun.**

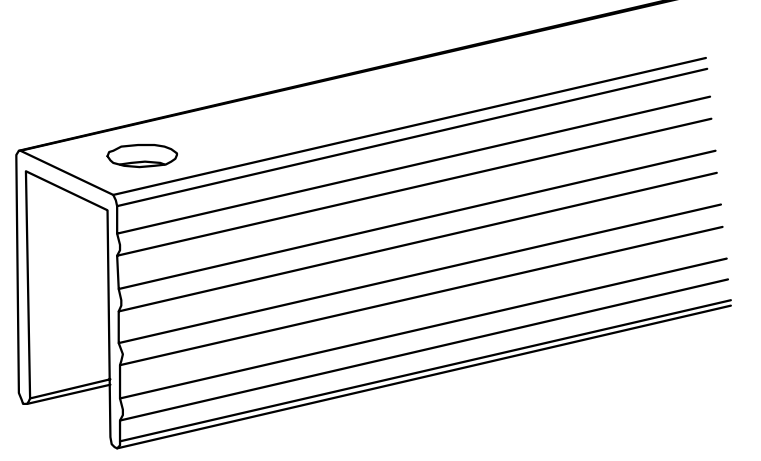
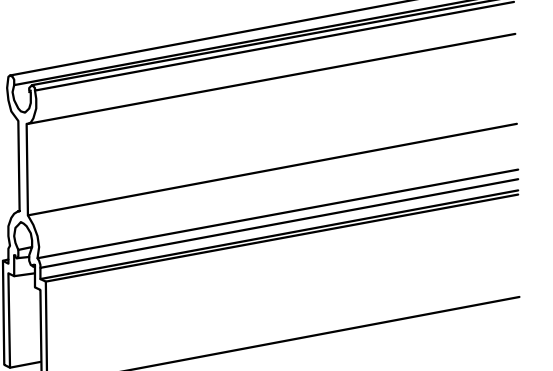
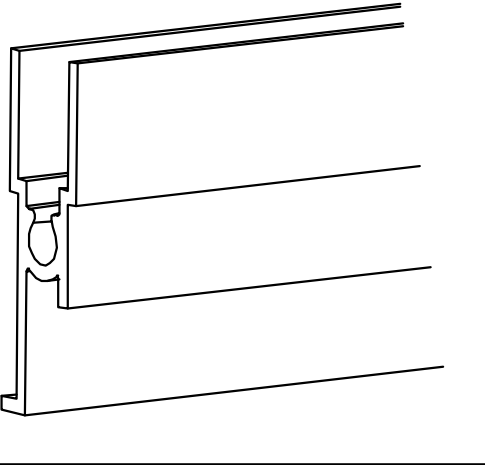

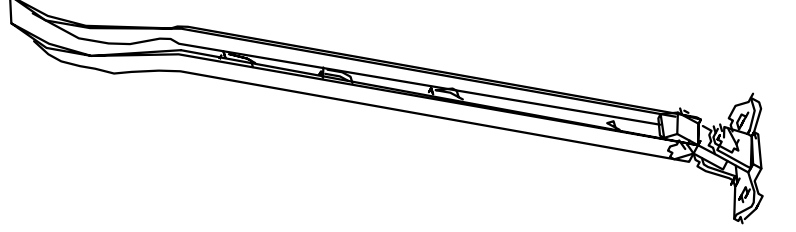
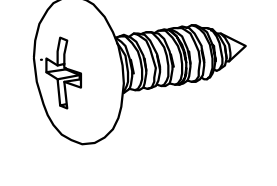
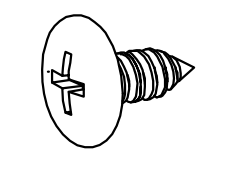
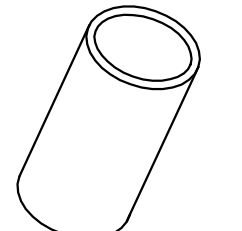


**!** Attention! When installing the Connector 21, you need to use a rubber mallet to lightly tap the snap into.



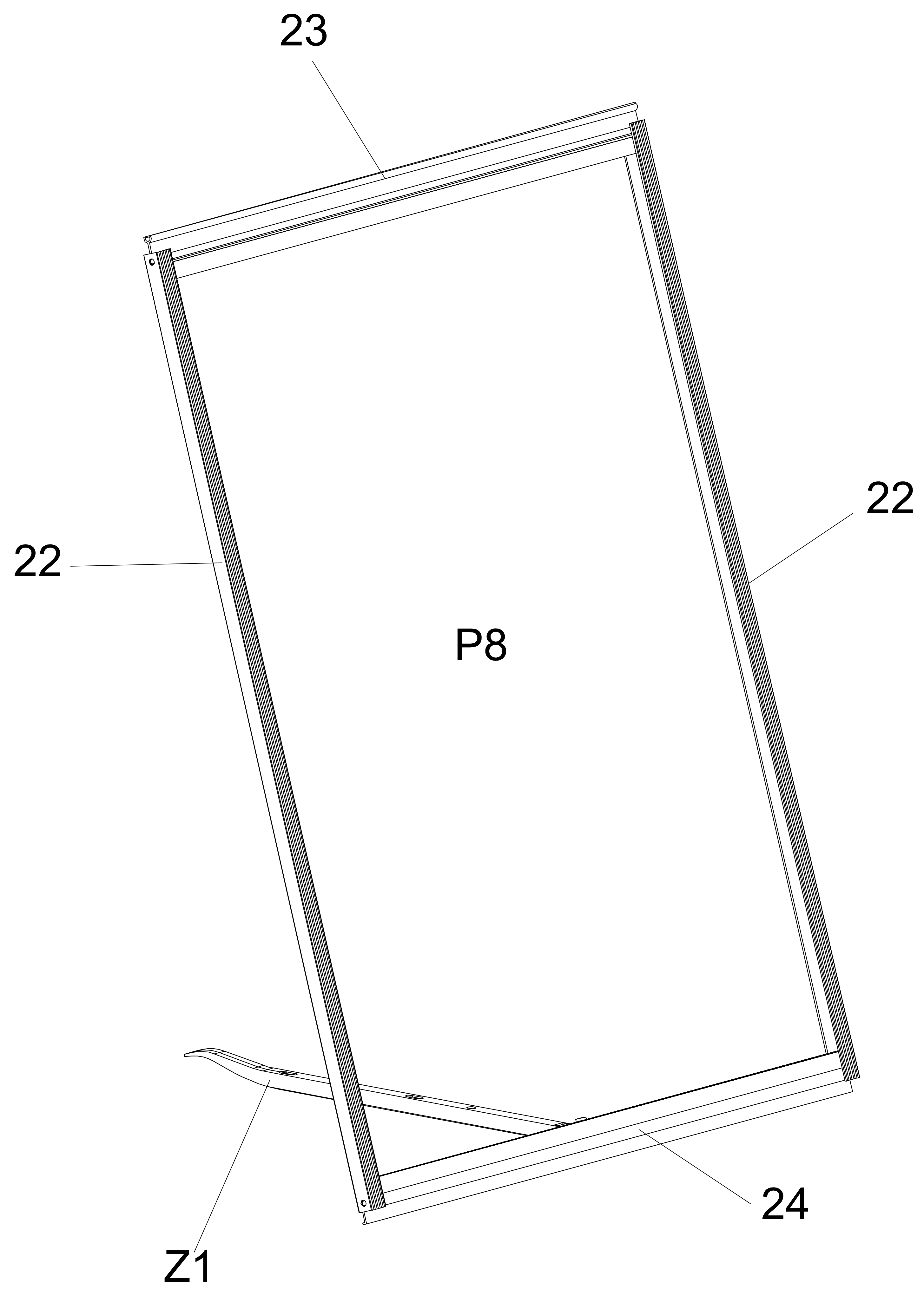
Insert Connector 21 into each end of frame profiles 18 & 20A & 20B & 20C, and then fix them with screws F6. fixing with screws, and make sure there is no gaps between each profile.

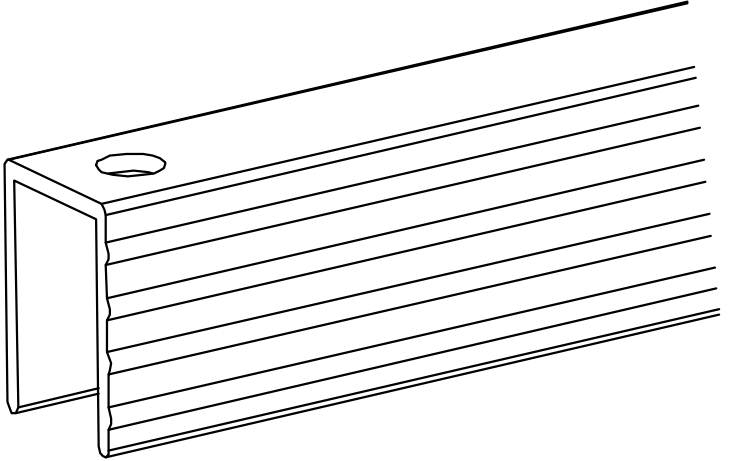
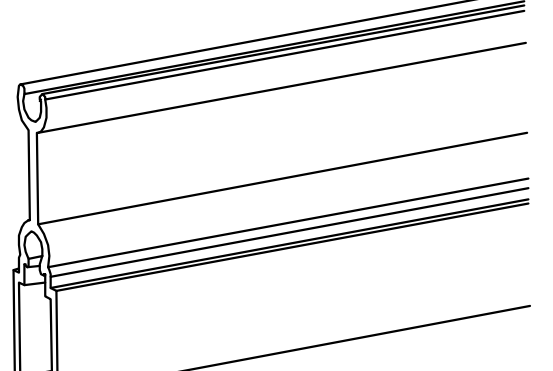
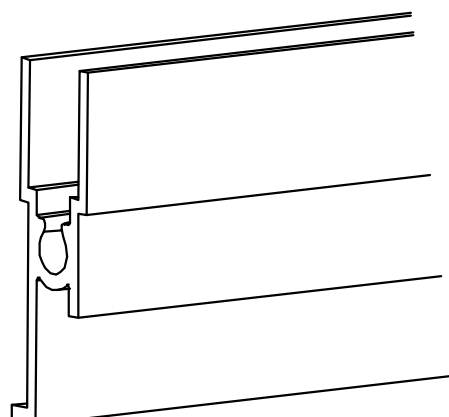


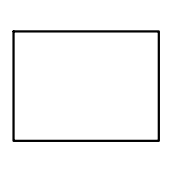
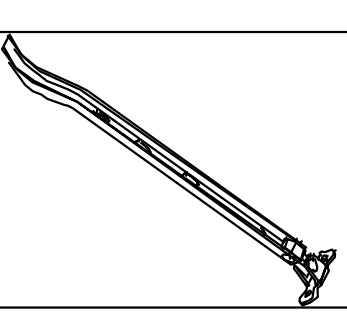
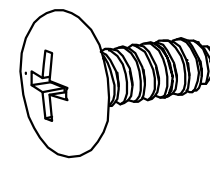
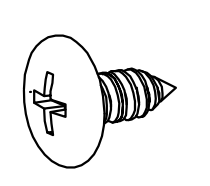
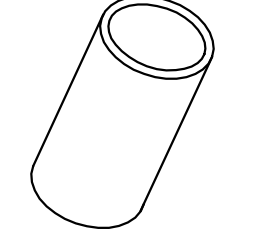
PART	NO	QTY
	22	4
	23	2
	24	2
	P8	2
	Z1	2
	F4 Ø4.2X10	8
	F5 Ø4.2X5	4
	S9	2

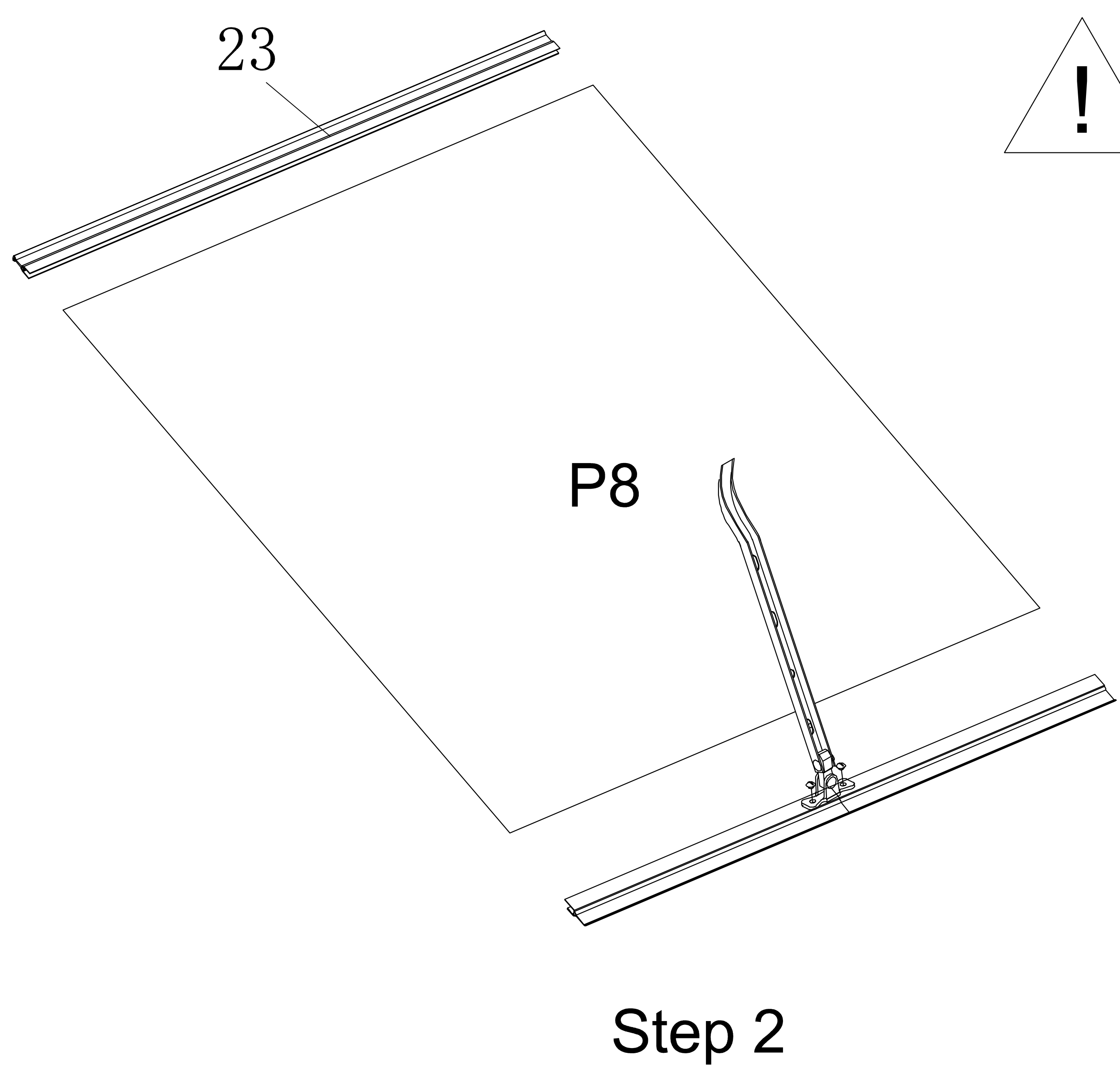
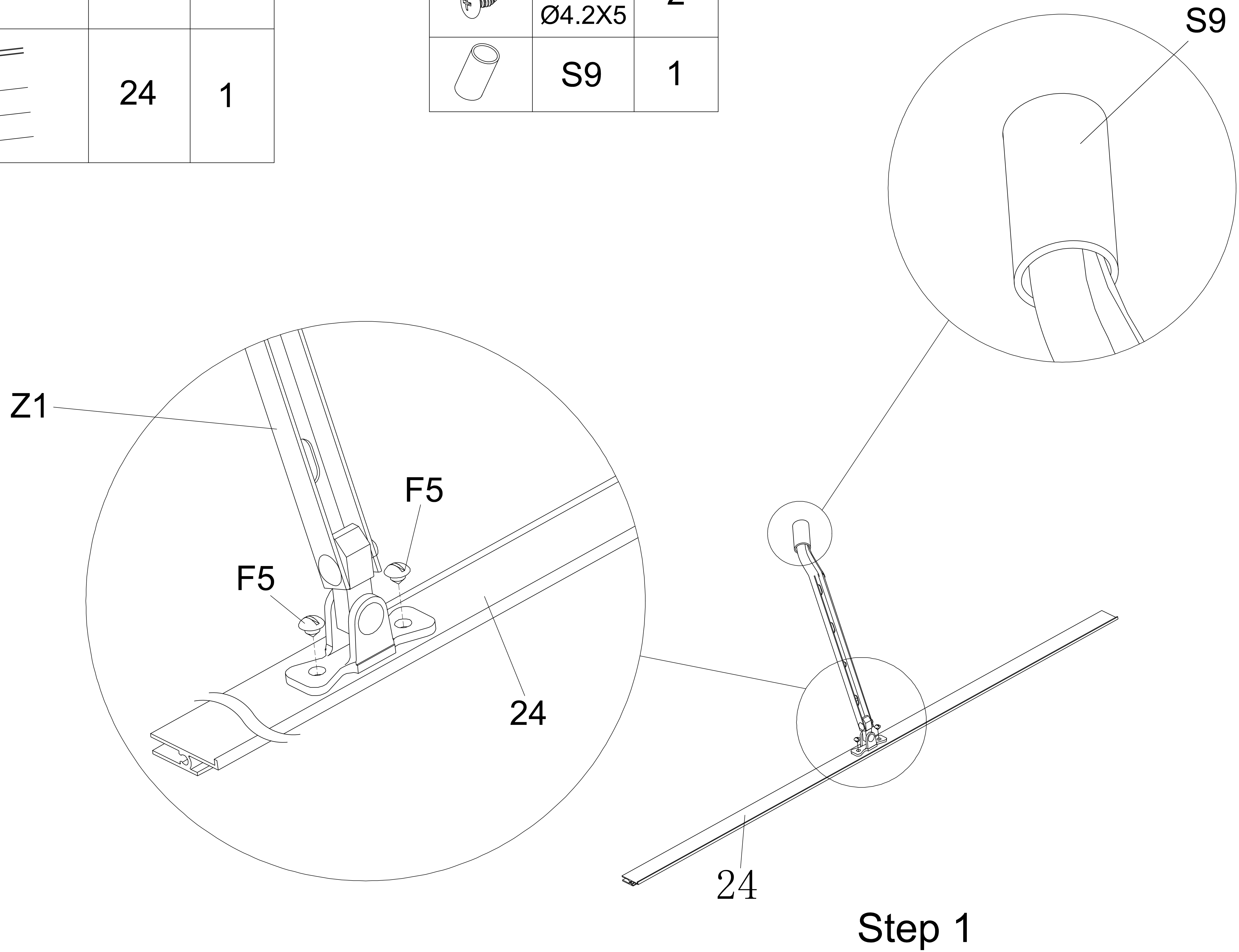
# Exploded View

## Window X 2

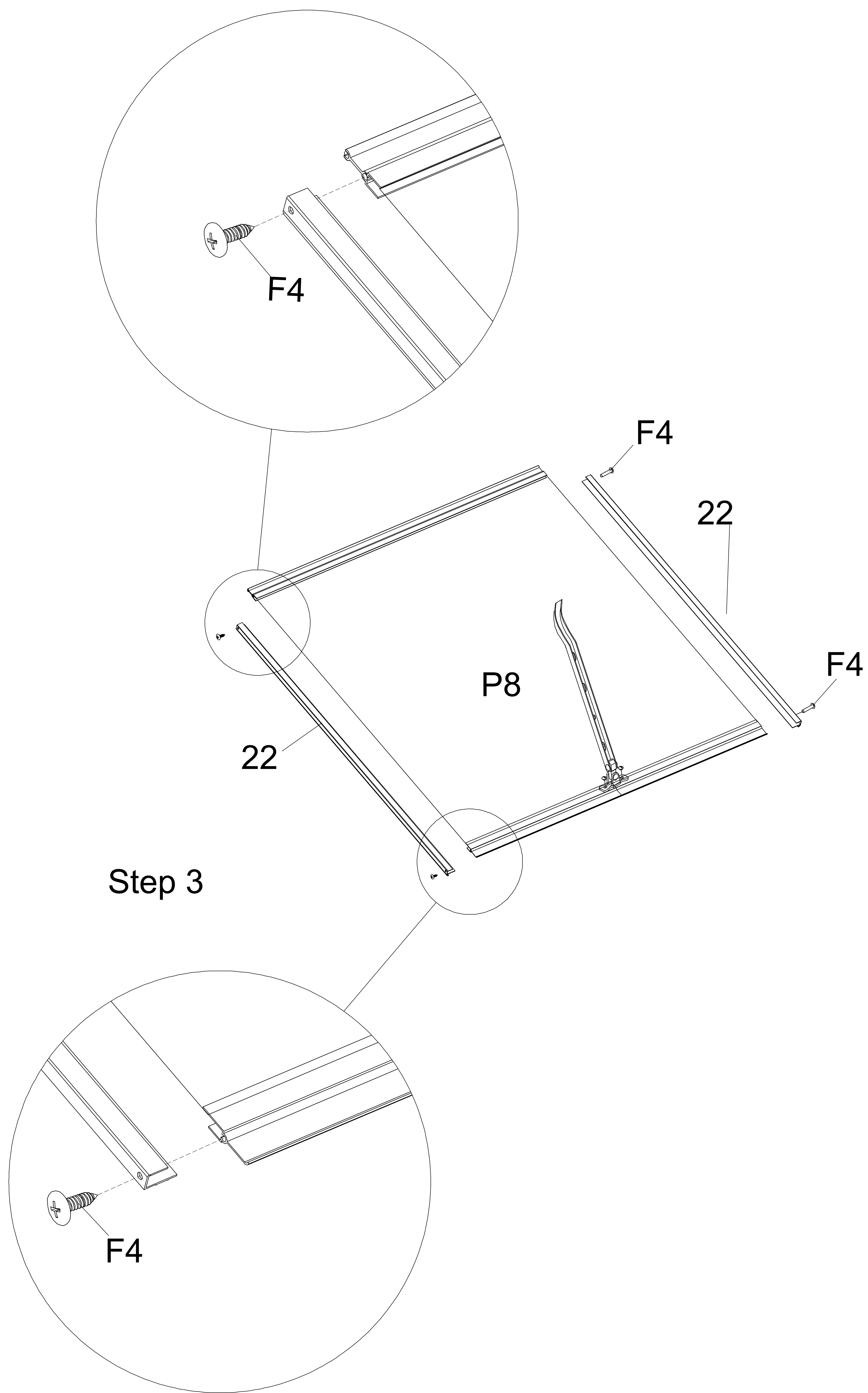


PART	NO	QTY
	22	2
	23	1
	24	1

PART	NO	QTY
	P8	1
	Z1	1
	F4 Ø4.2X10	4
	F5 Ø4.2X5	2
	S9	1





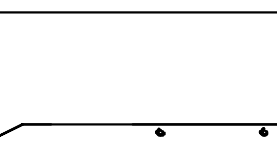




**! Attention:** Remove the protective films from both sides of each polycarbonate panel, before inserting into aluminum channels. Ensure the milky white film faces towards the Sun.

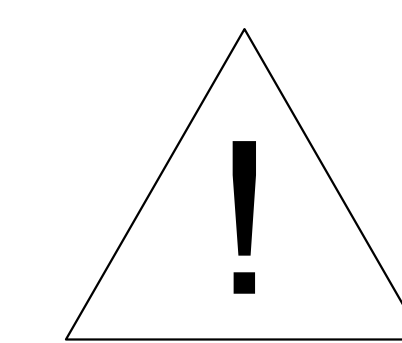
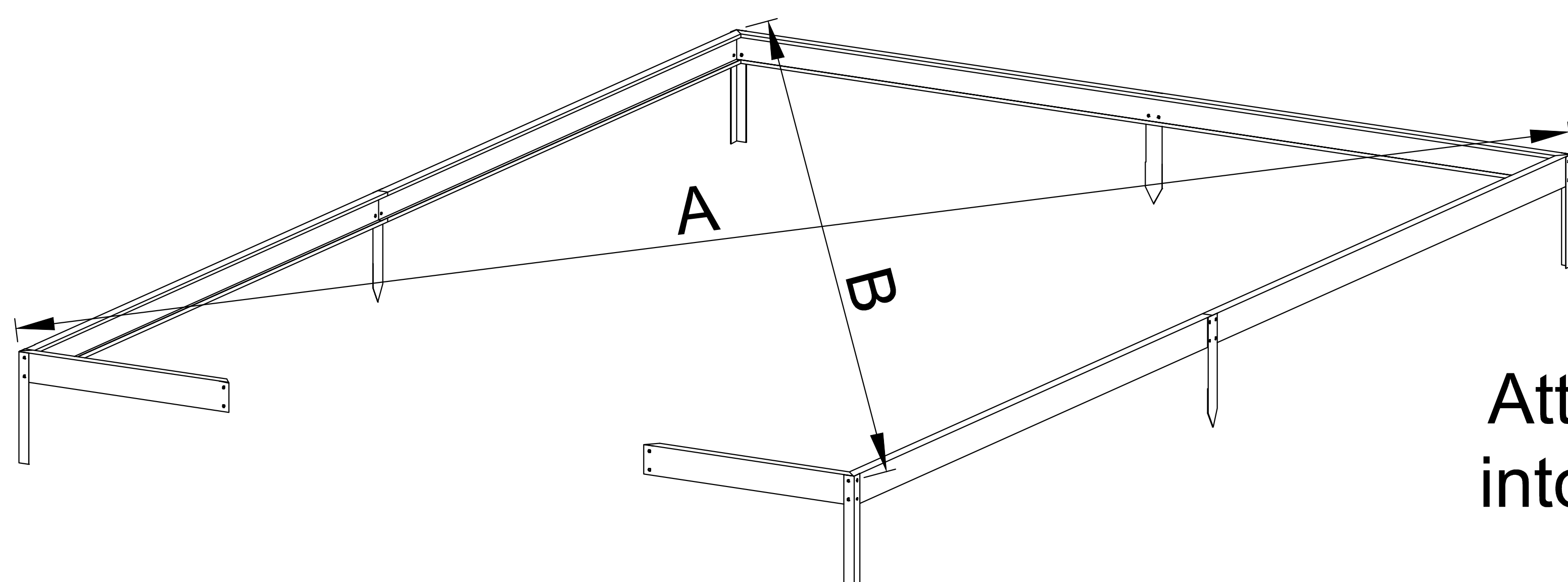
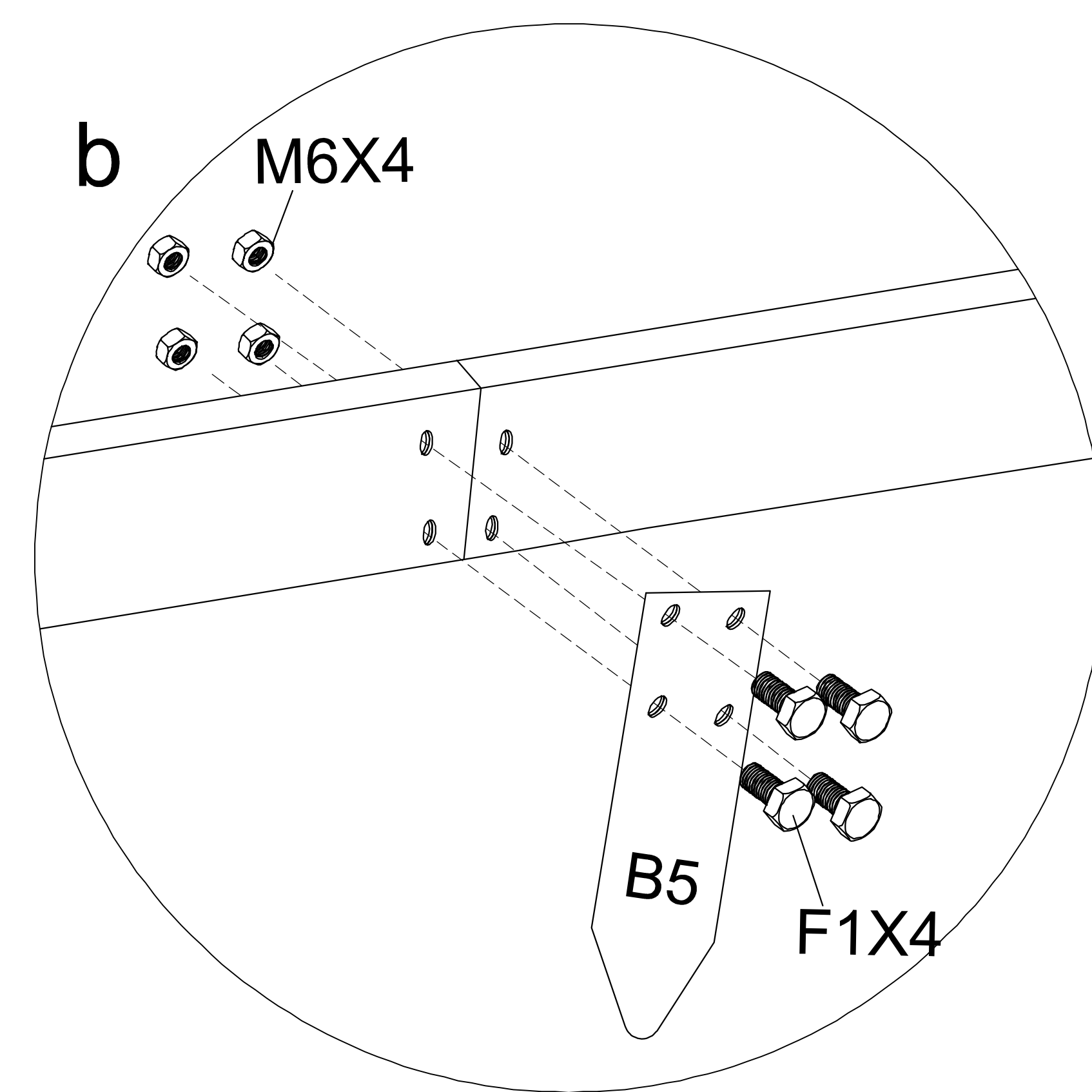
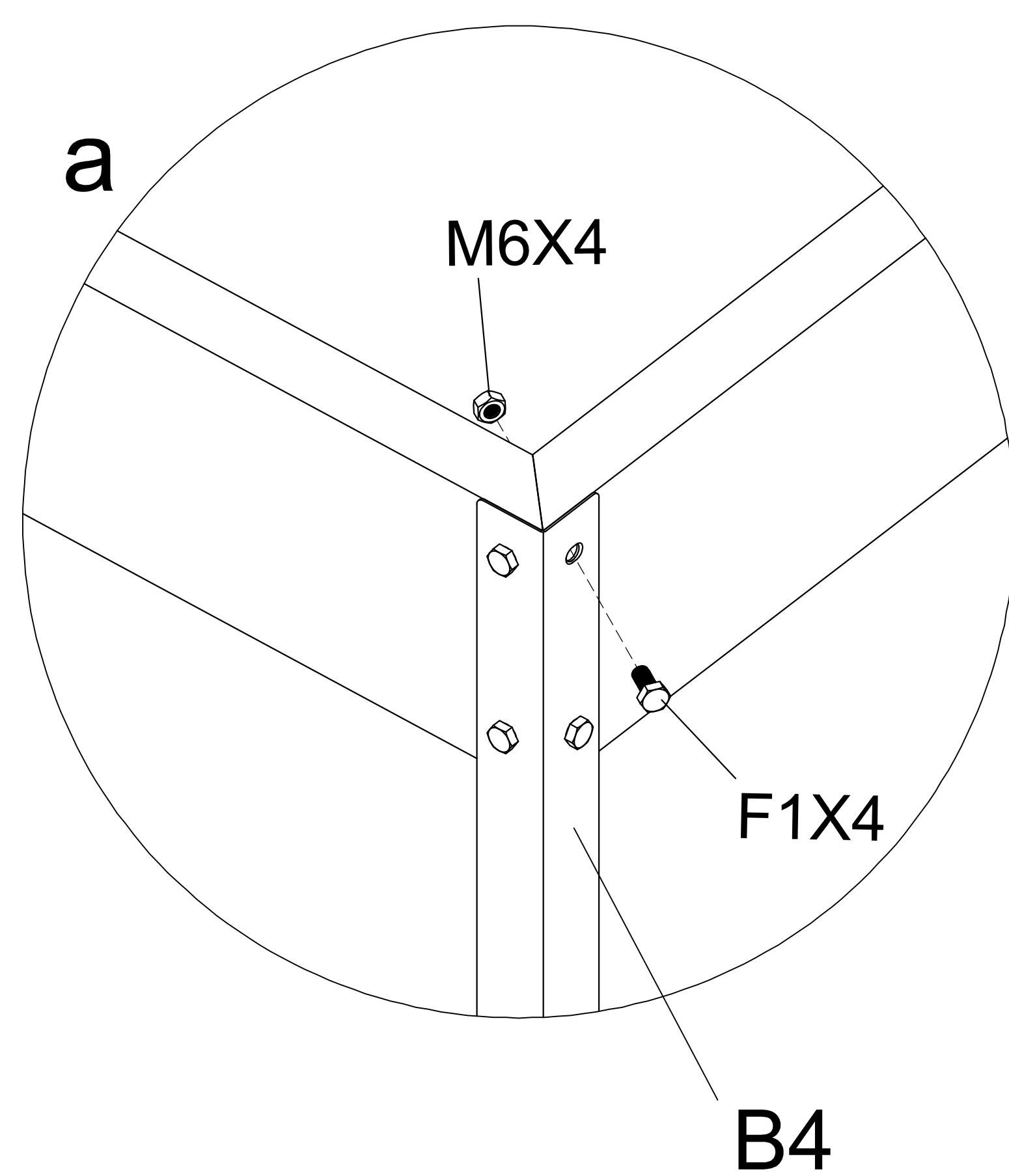
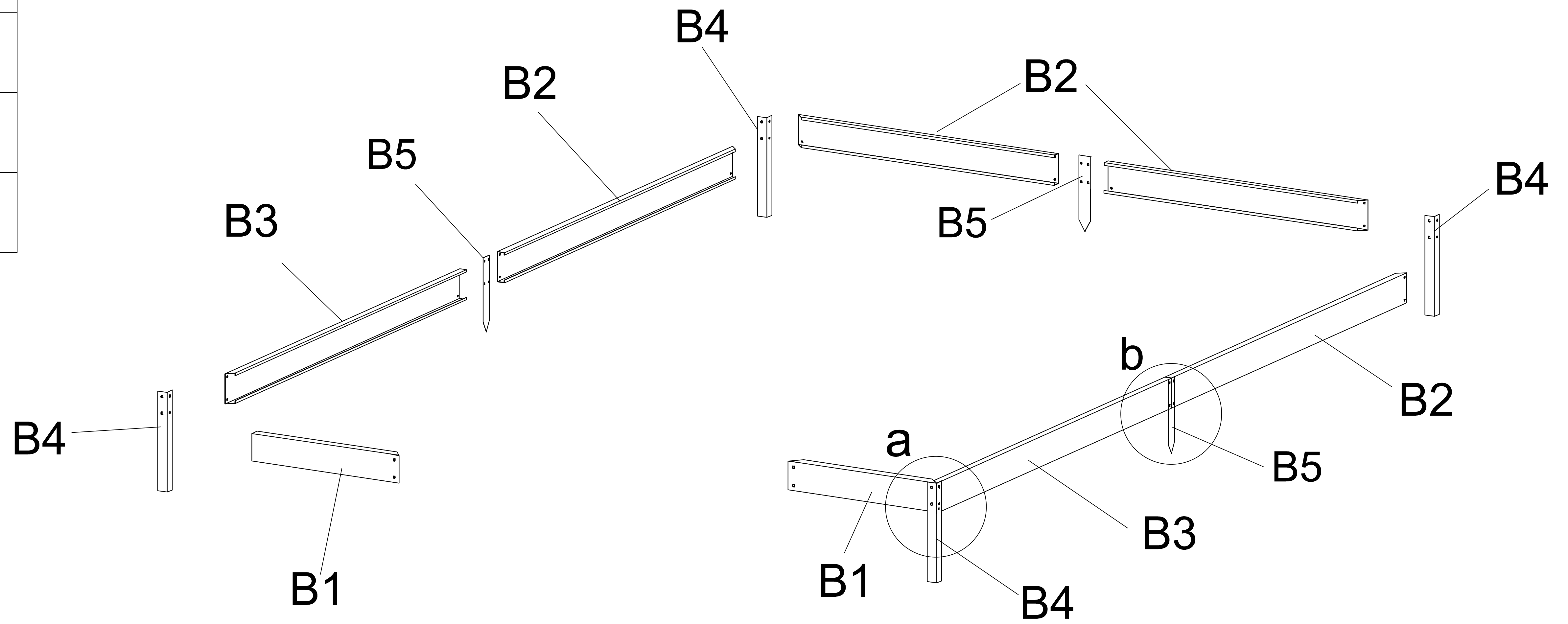


Step 3

Two windows are standard

PART	NO	QTY
	B1	2
	B2	4
	B3	2
	B4	4
	B5	3
	F1 M6X12	28
	M6 M6	28

# Base Assembly



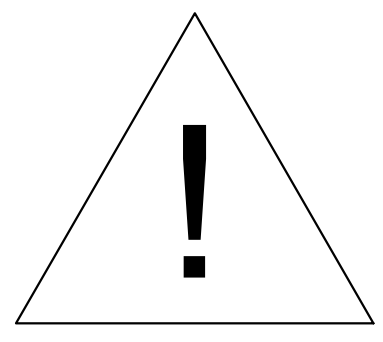
Attention! B4 and B5 must be inserted into the soil or installed in reverse!

$$\textcircled{A} = \textcircled{B}$$

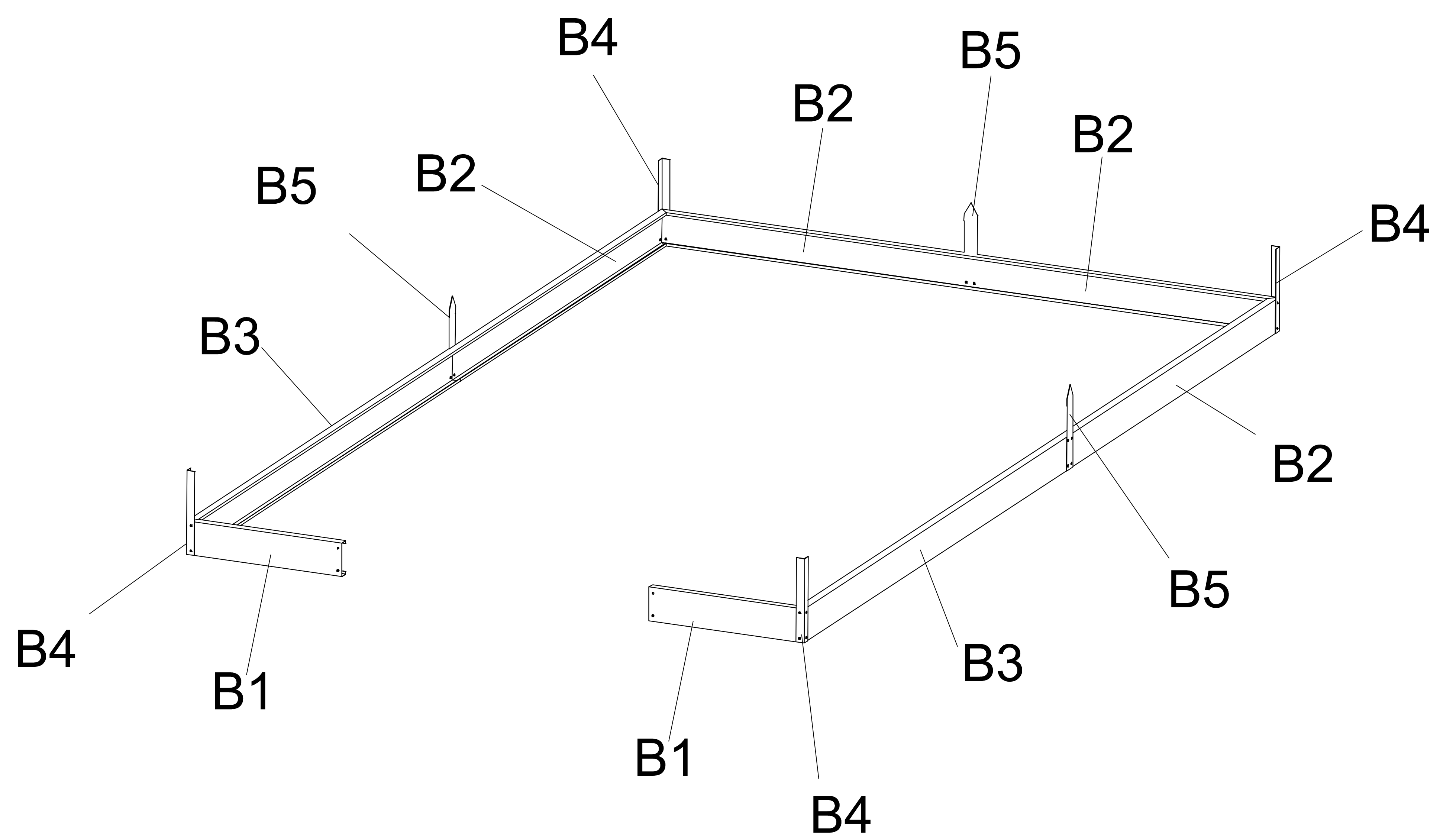
Fix the base before assembly the greenhouse.

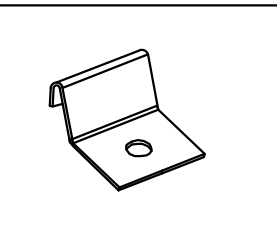
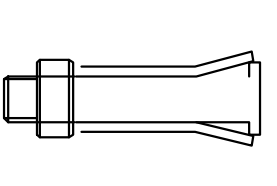
This is the way to fix the base.

# Base Assembly

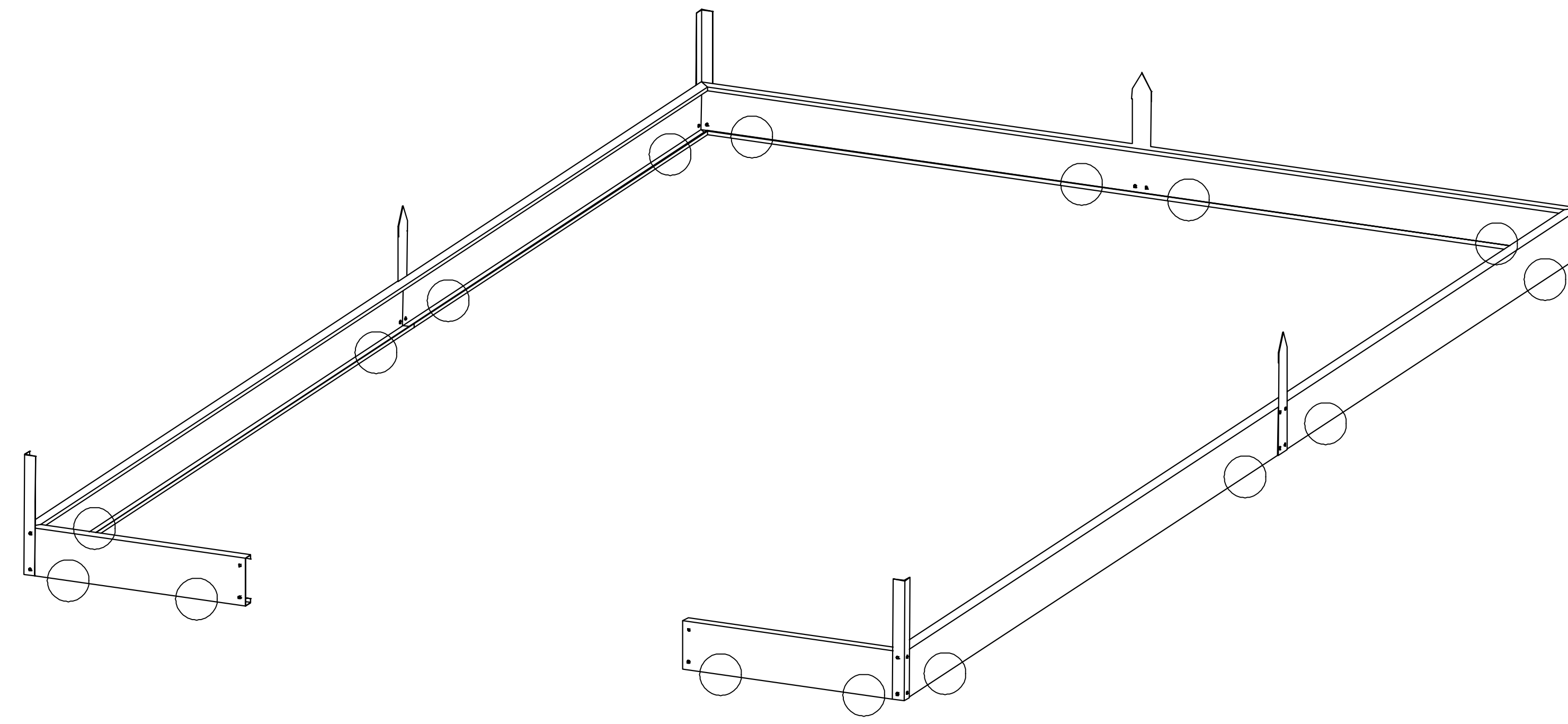


! Attention: Turn over the steel plinths B4 & B5 to complete the base installation as shown below, when the greenhouse is NOT inserted and secured into the soft soil.

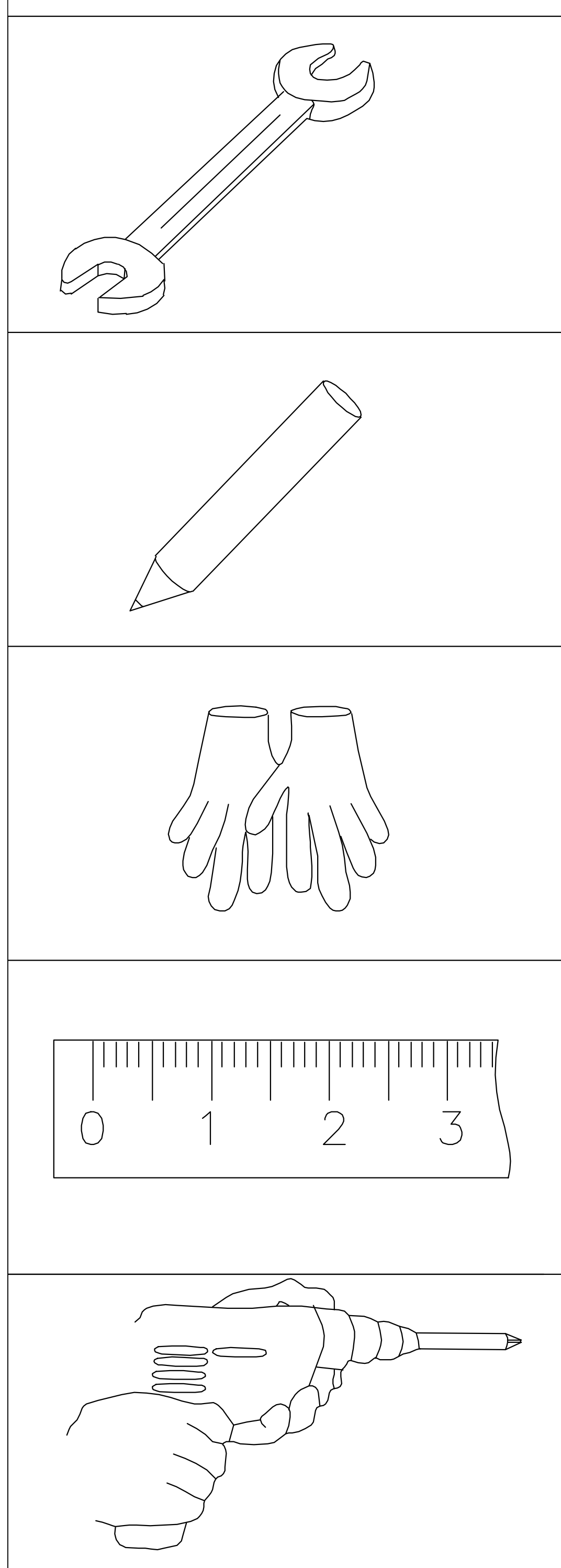
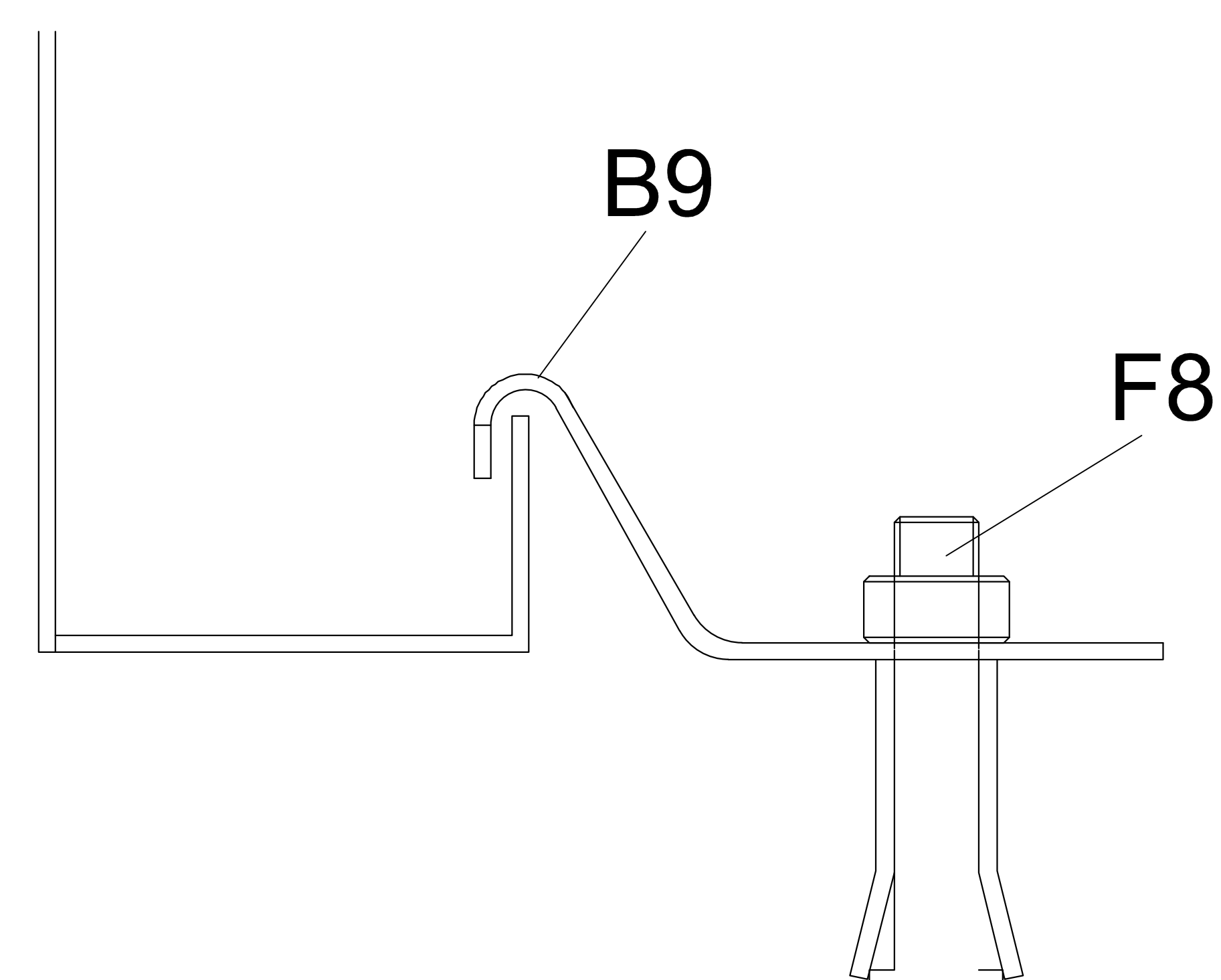
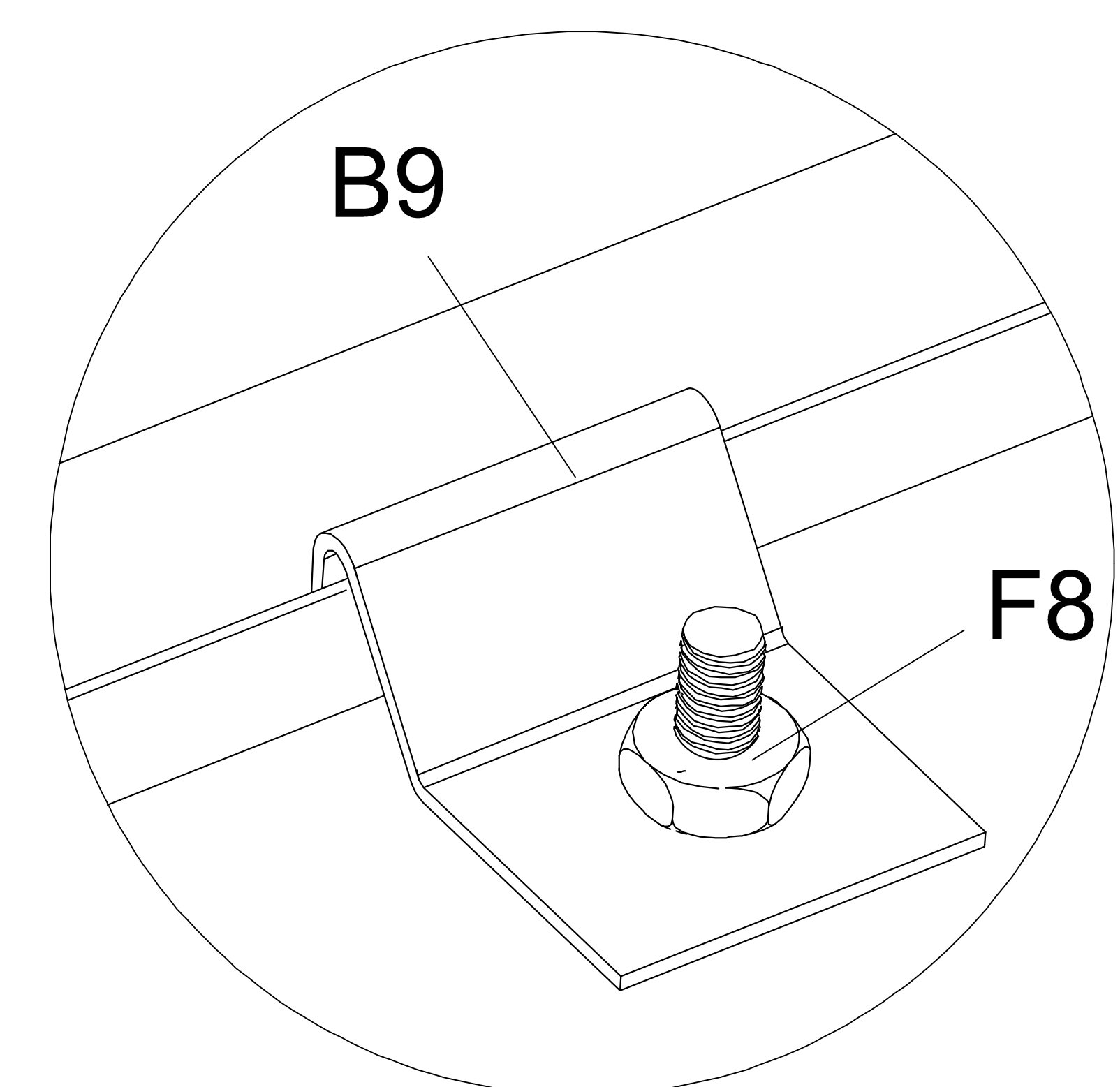
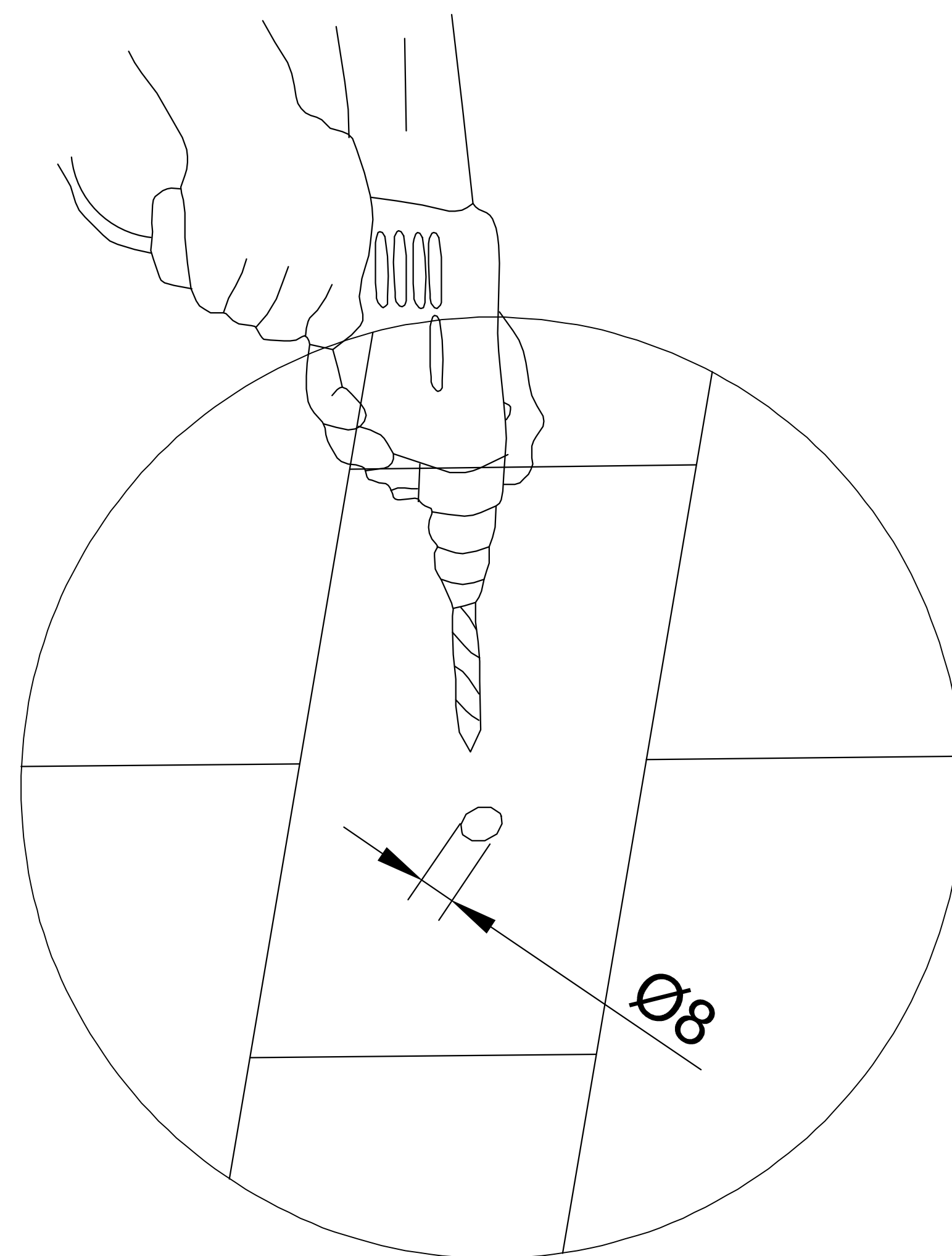
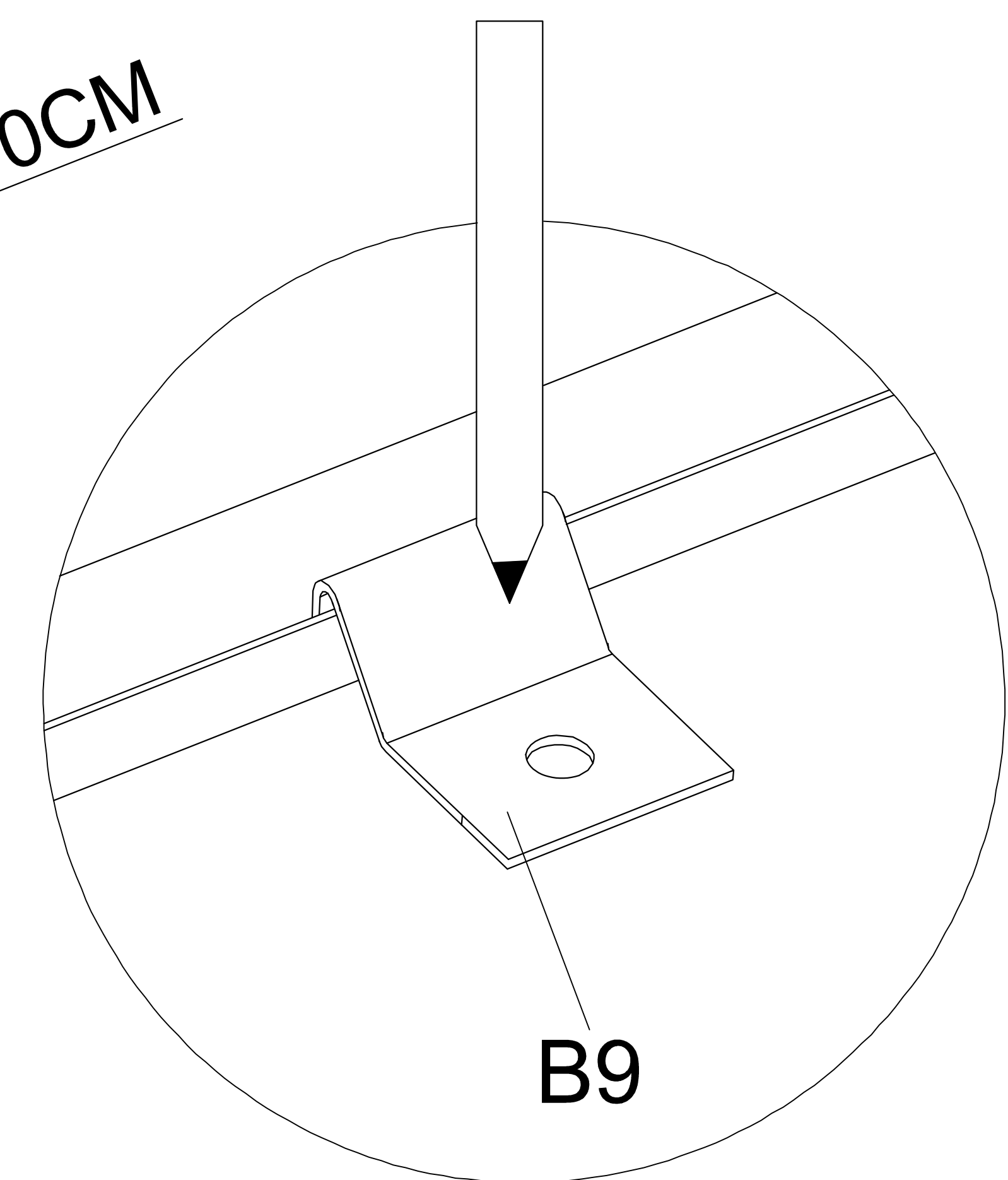
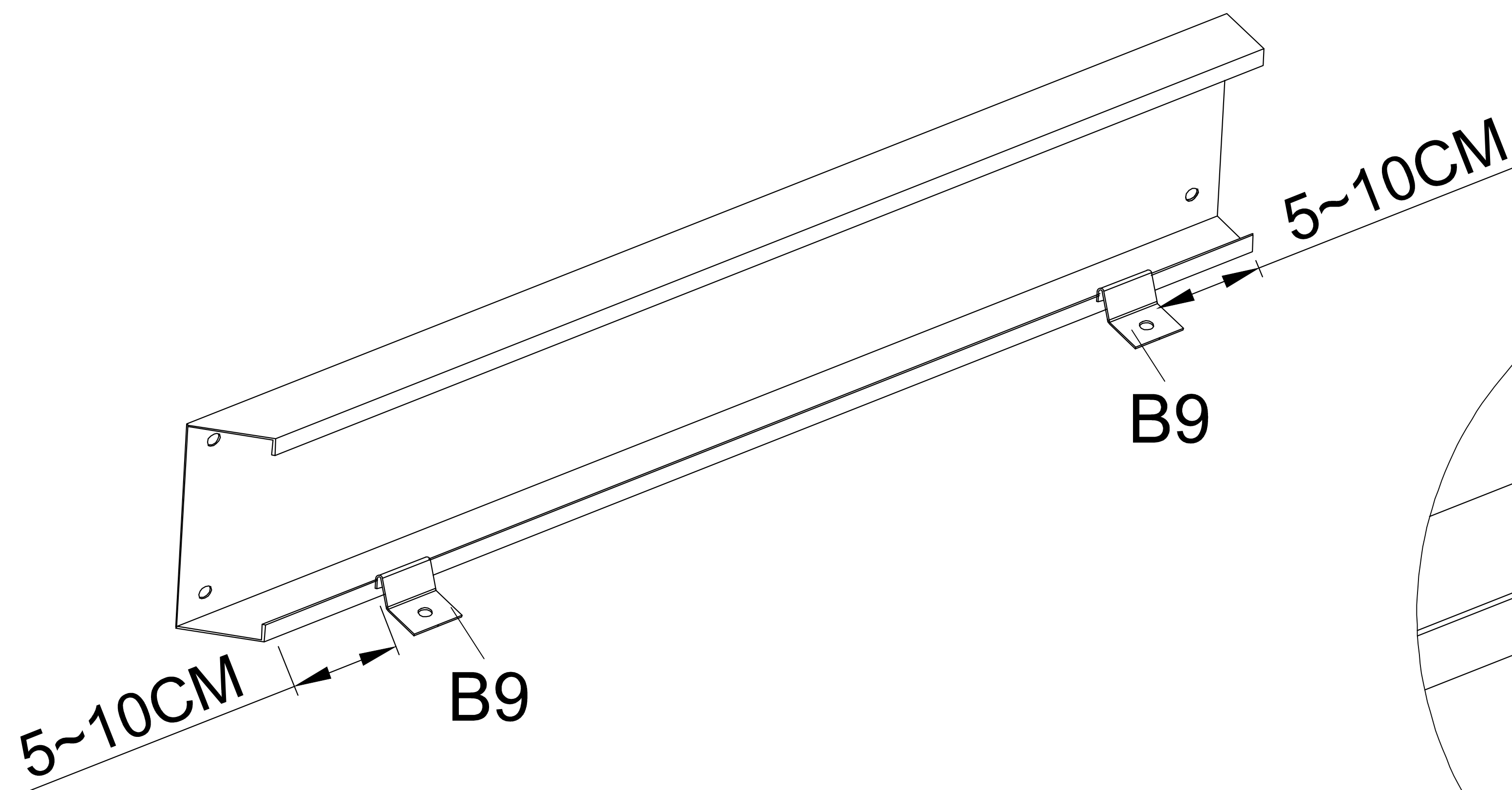


PART	NO	QTY
	B9	16
	F8 M6X60	16

# Base Assembly



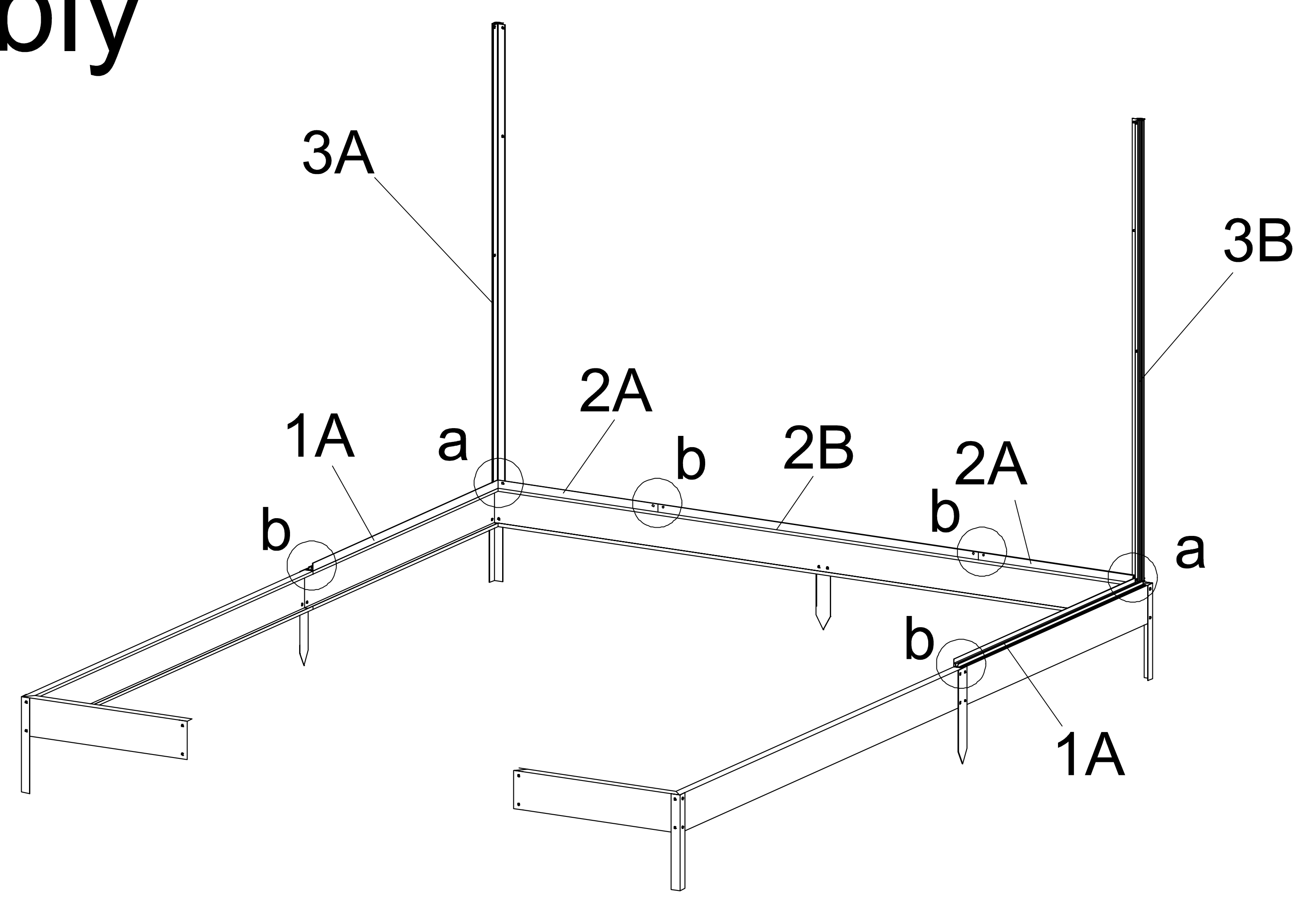
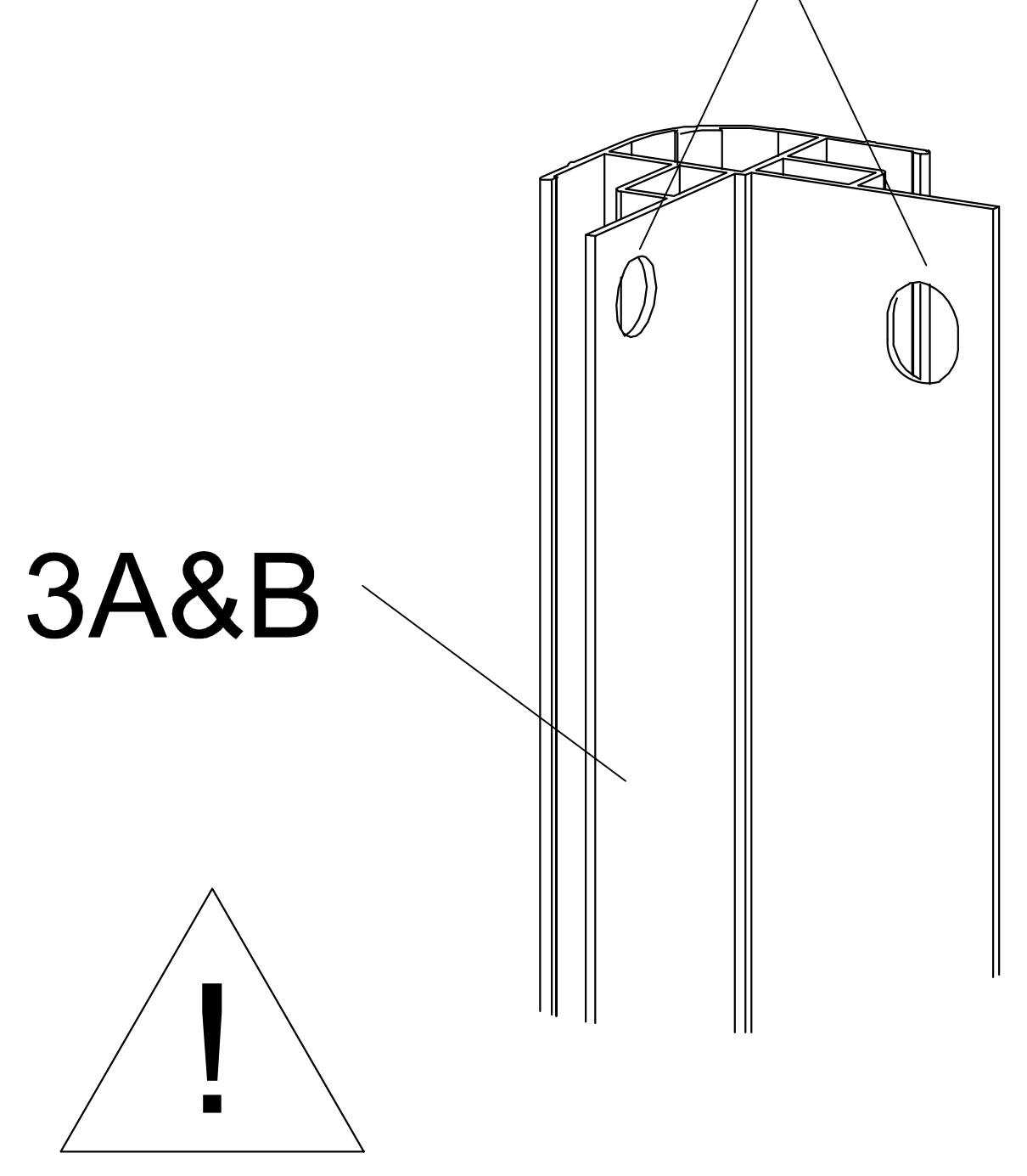
1. Fix the base anchor clip B9 onto each base section with a distance of 5~10CM from each end.
2. Mark the middle of the B9 hole to drill the  $\text{Ø}8$  hole, then use F8 to fix the B9 to the ground



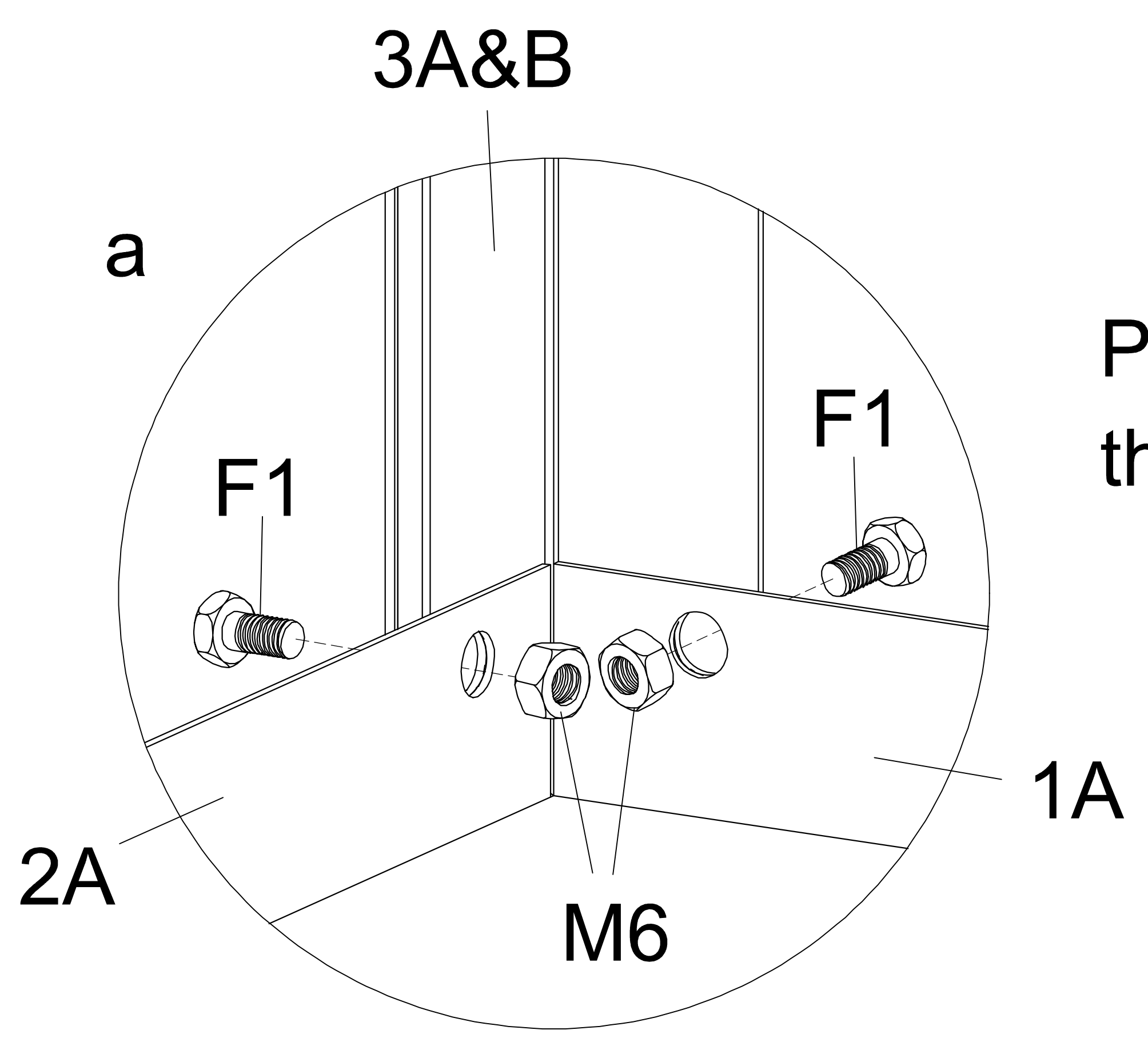
PART	NO	QTY
	3A	1
	3B	1
	1A	2
	2A	2
	2B	1
	F1	4
	M6X12	
	M6	4
	M6	
	F6	16
	Ø4.2X13	

# Wall Assembly

Different distance

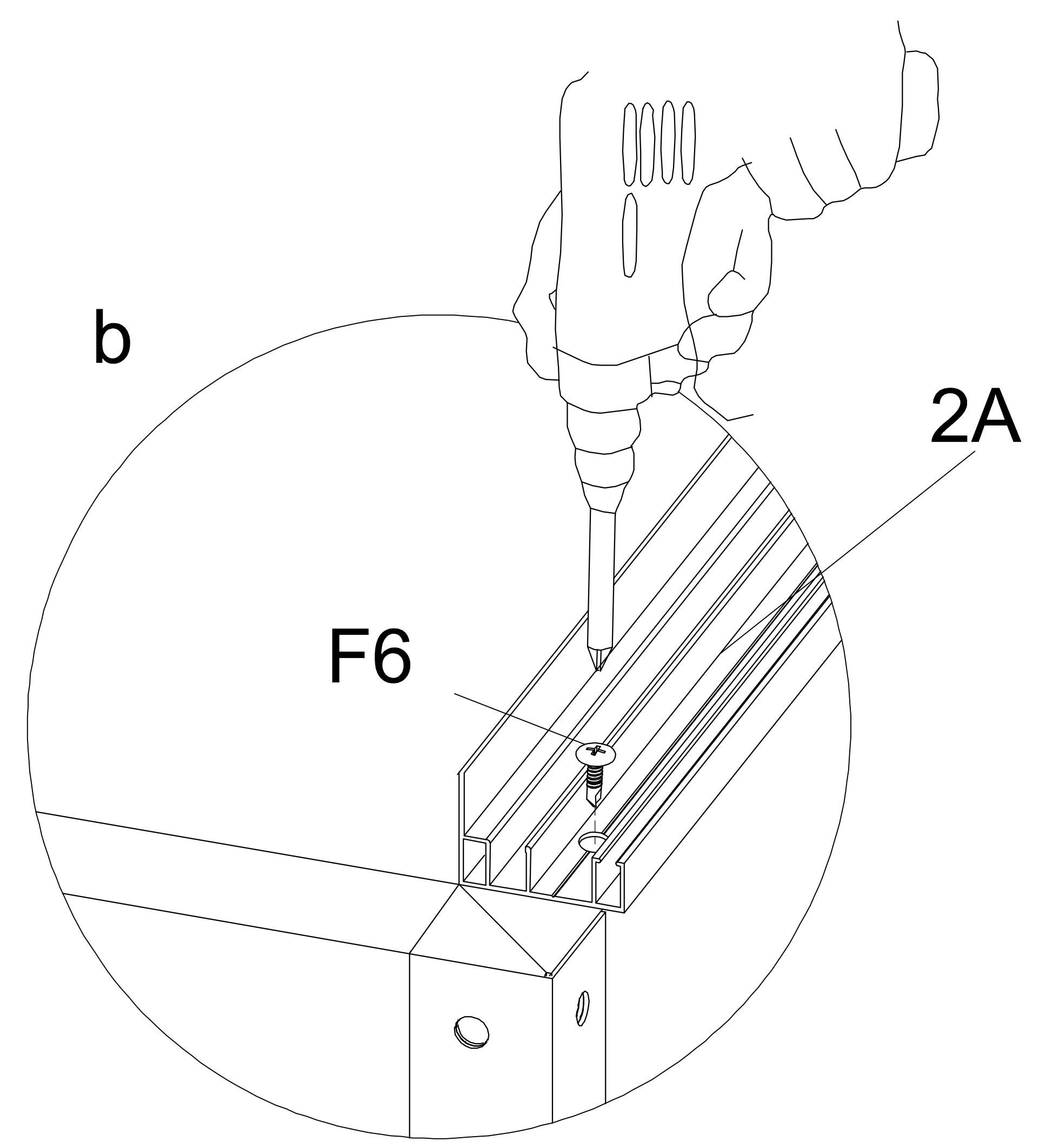
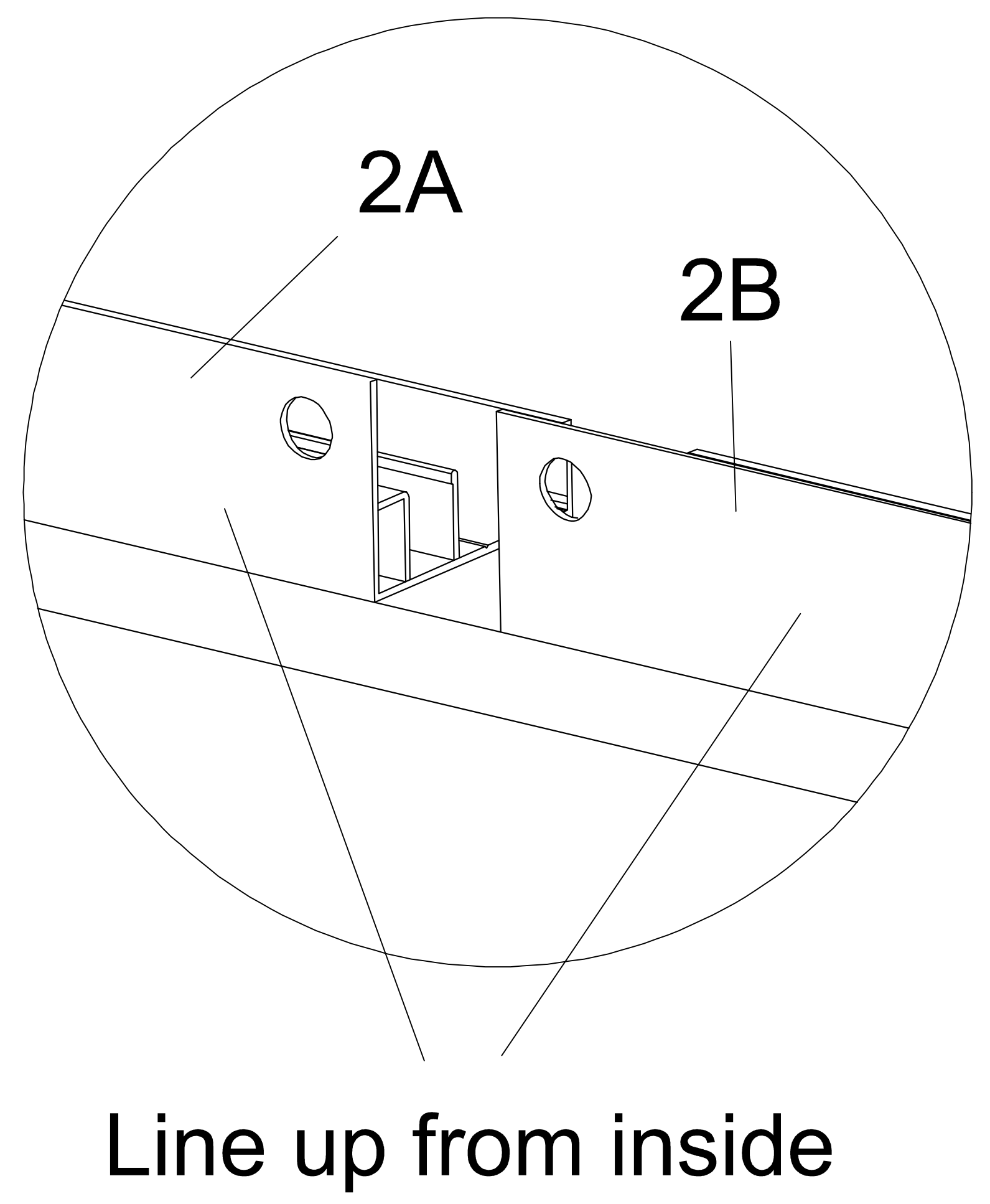
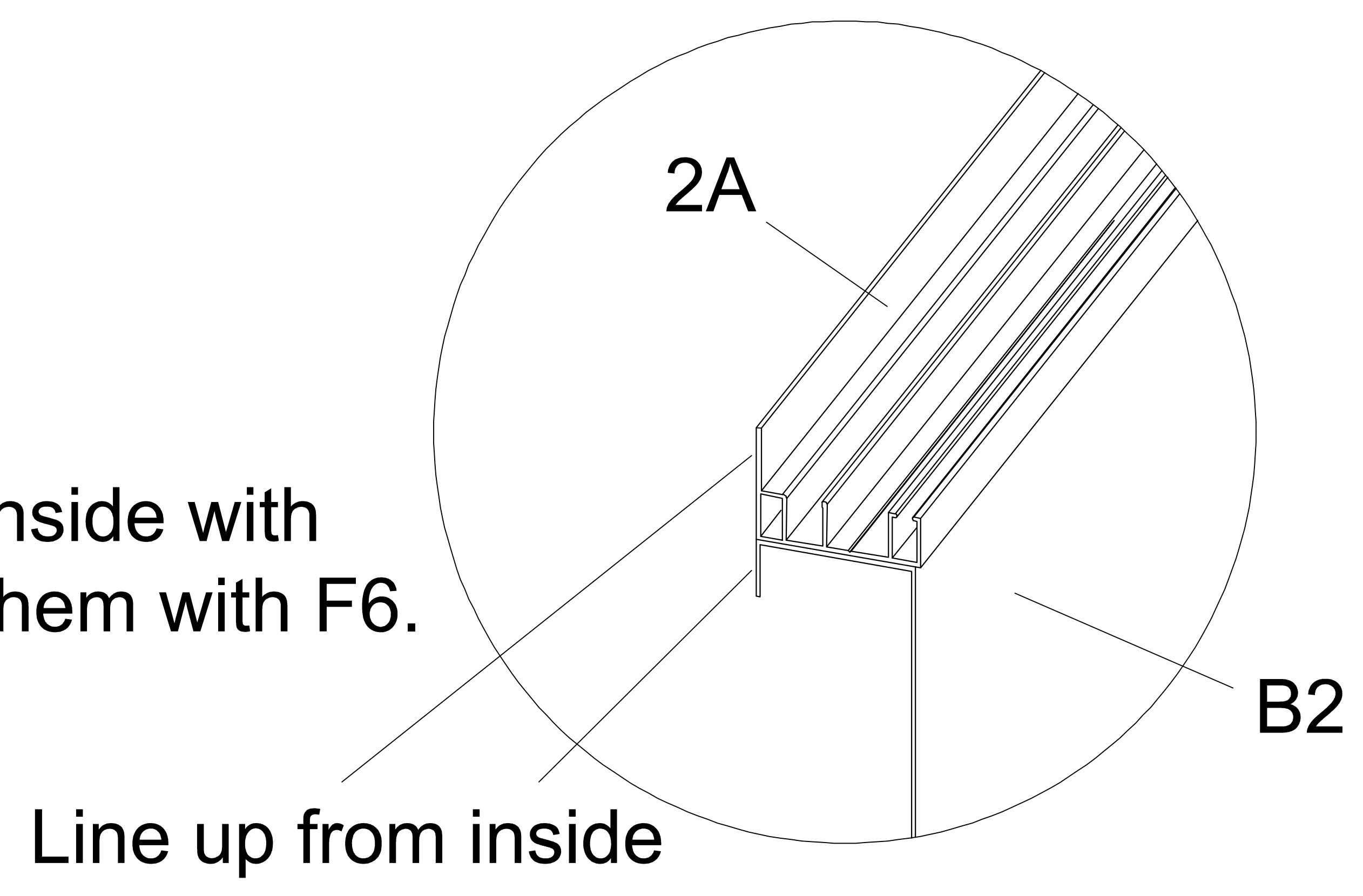


Attention! 3A&3B holes with different distances should be installed facing upwards.

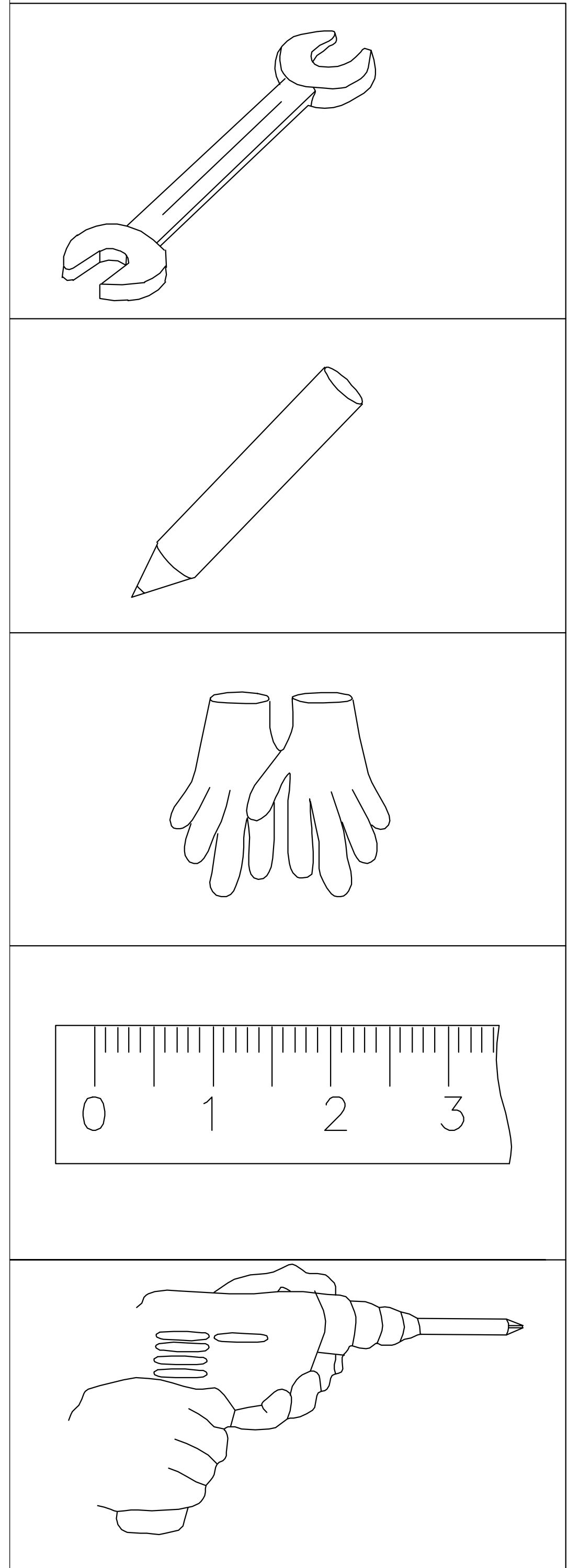


Place 1A, 2A, 2B, 3A, 3B on the base plinth (B2 & B3), then fix them together using F1 & M6 as shown.

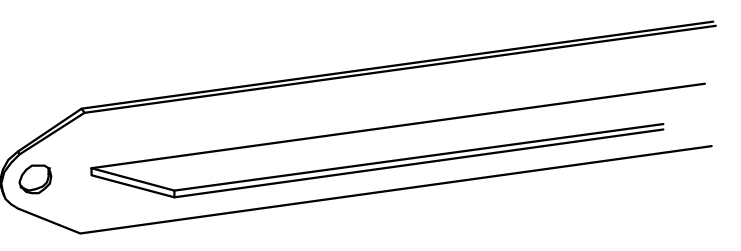
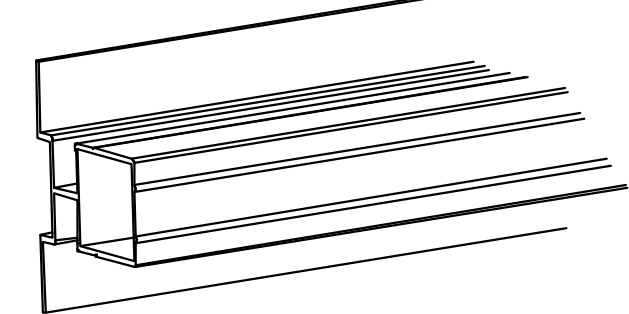
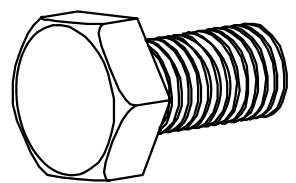
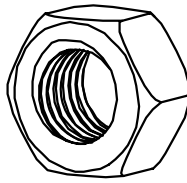
Make sure they line up from inside with the base plinth before fixing them with F6.

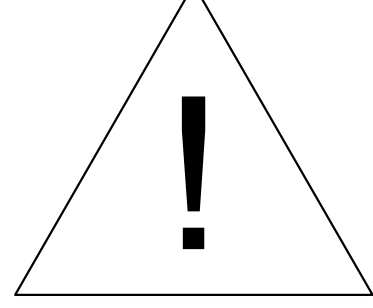
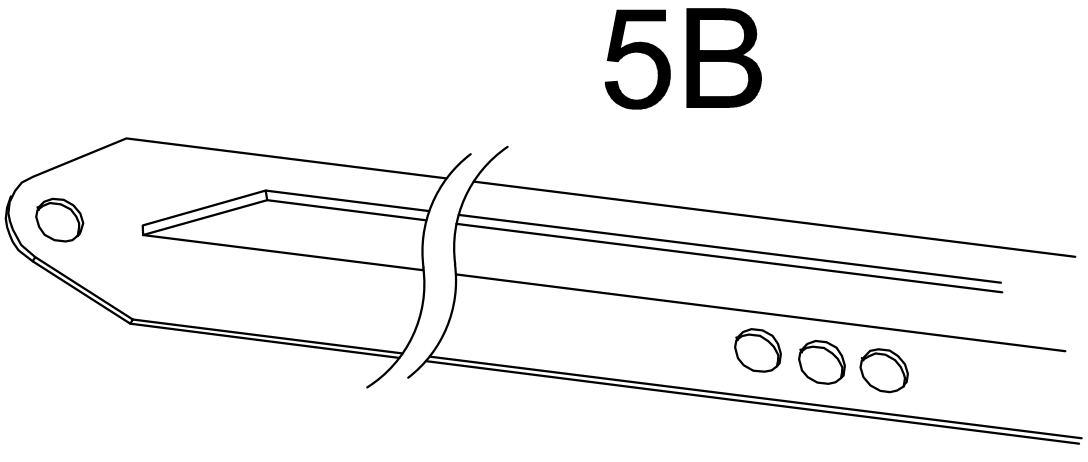
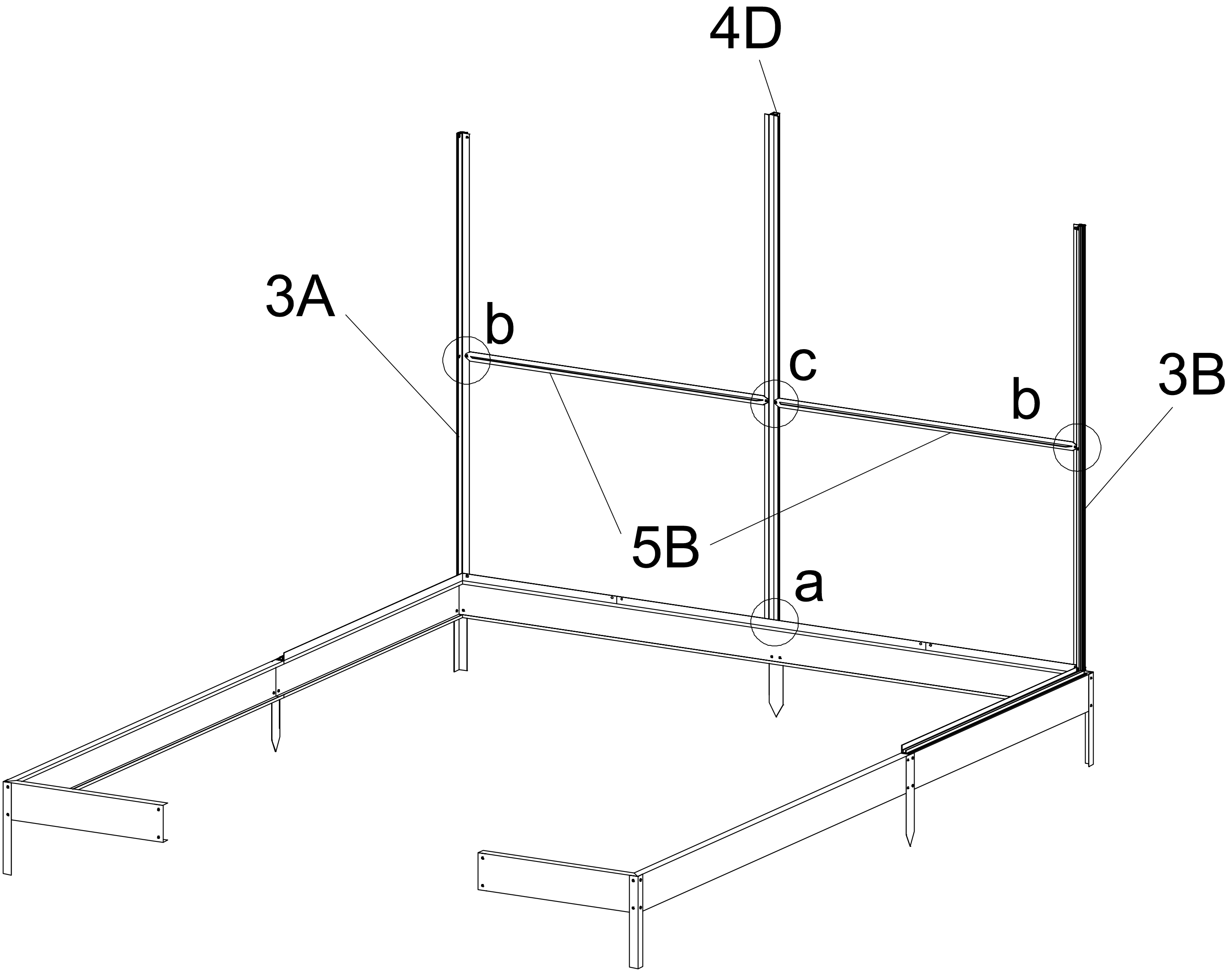


Use a powered screwdriver to fix the self-tapping screws (F6) through the cills (1A,2A,2B) and base plinth (B1,B2,B3).

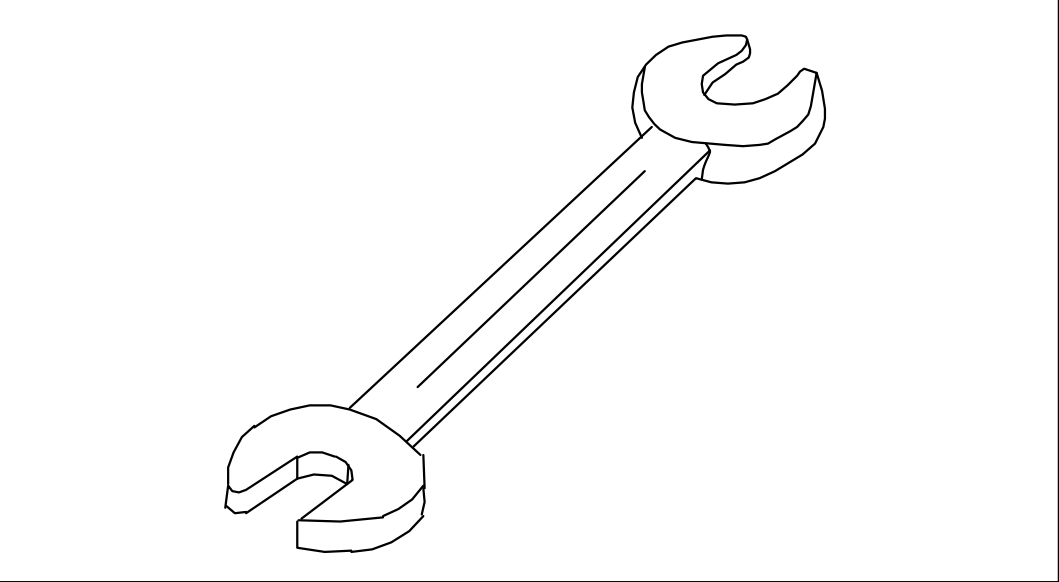
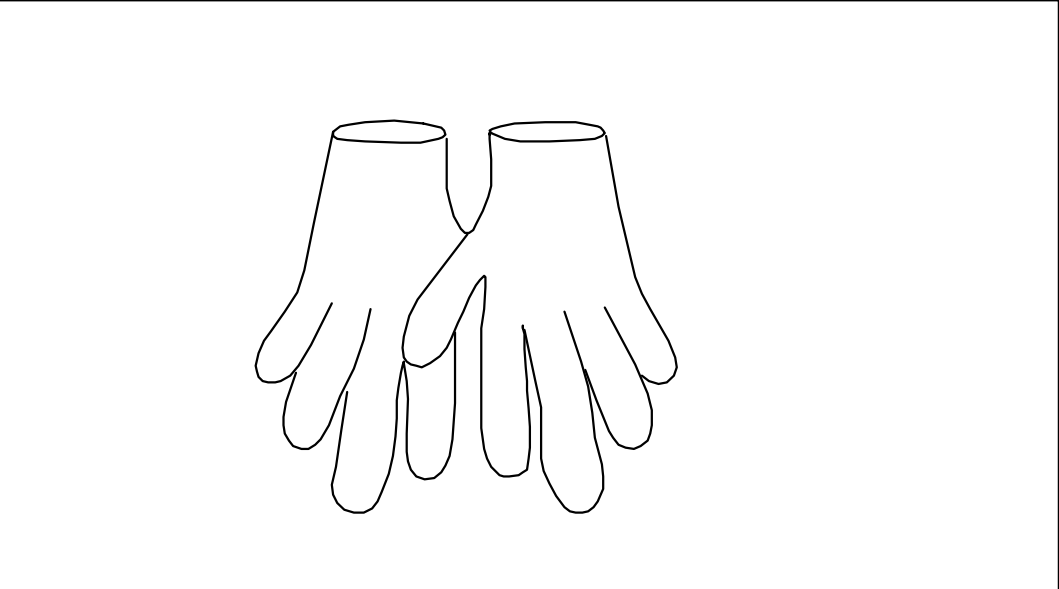
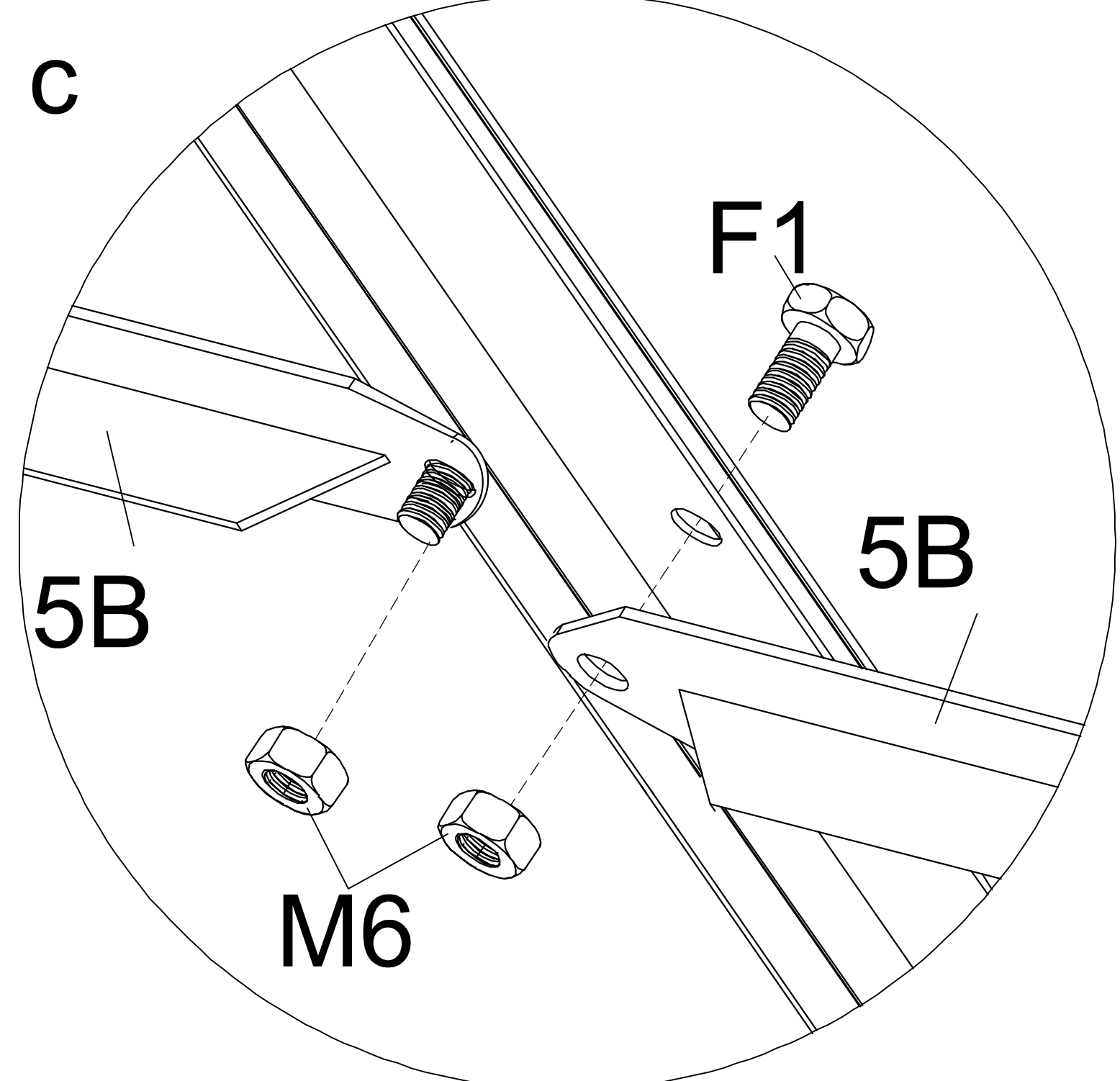
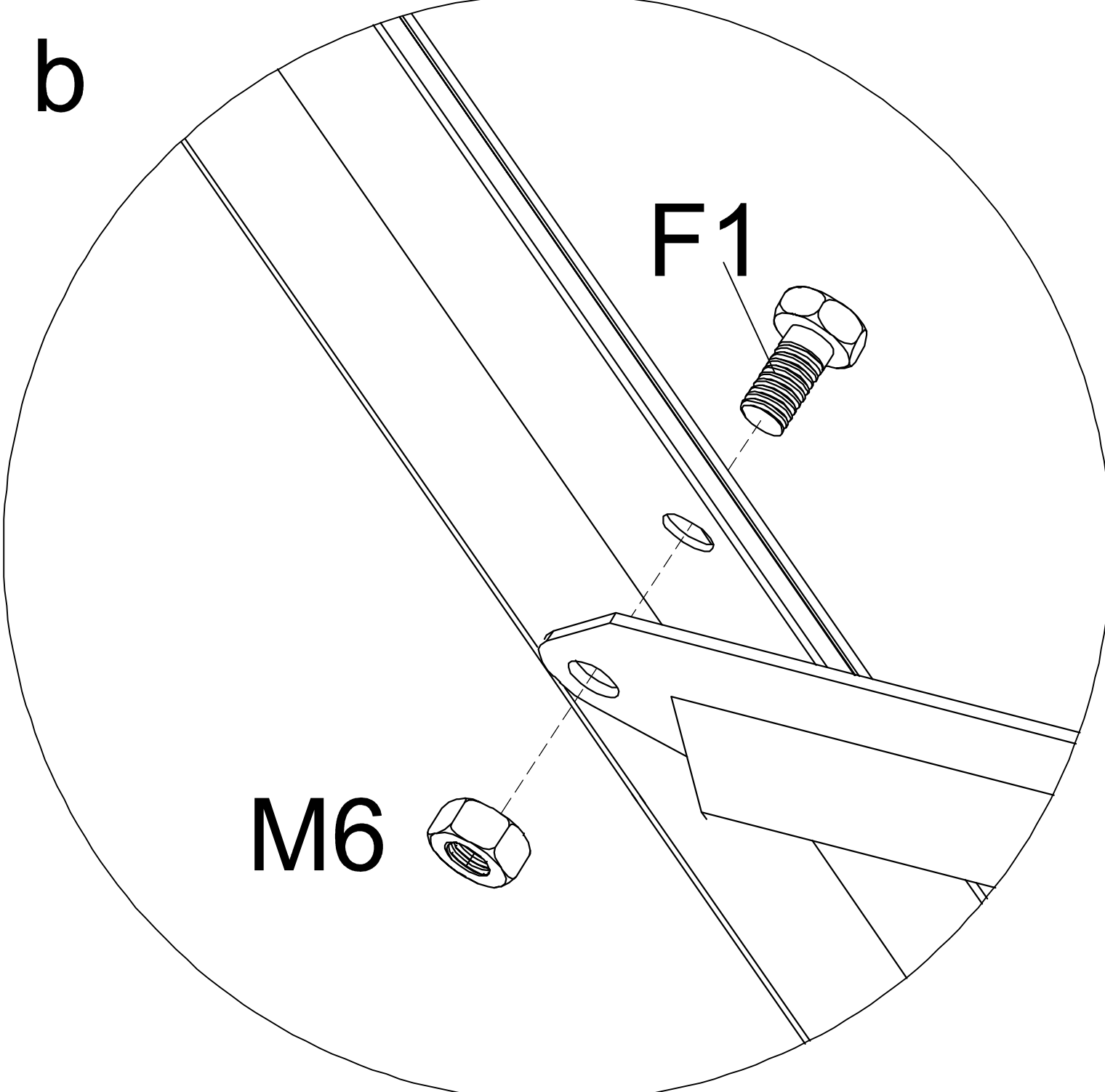
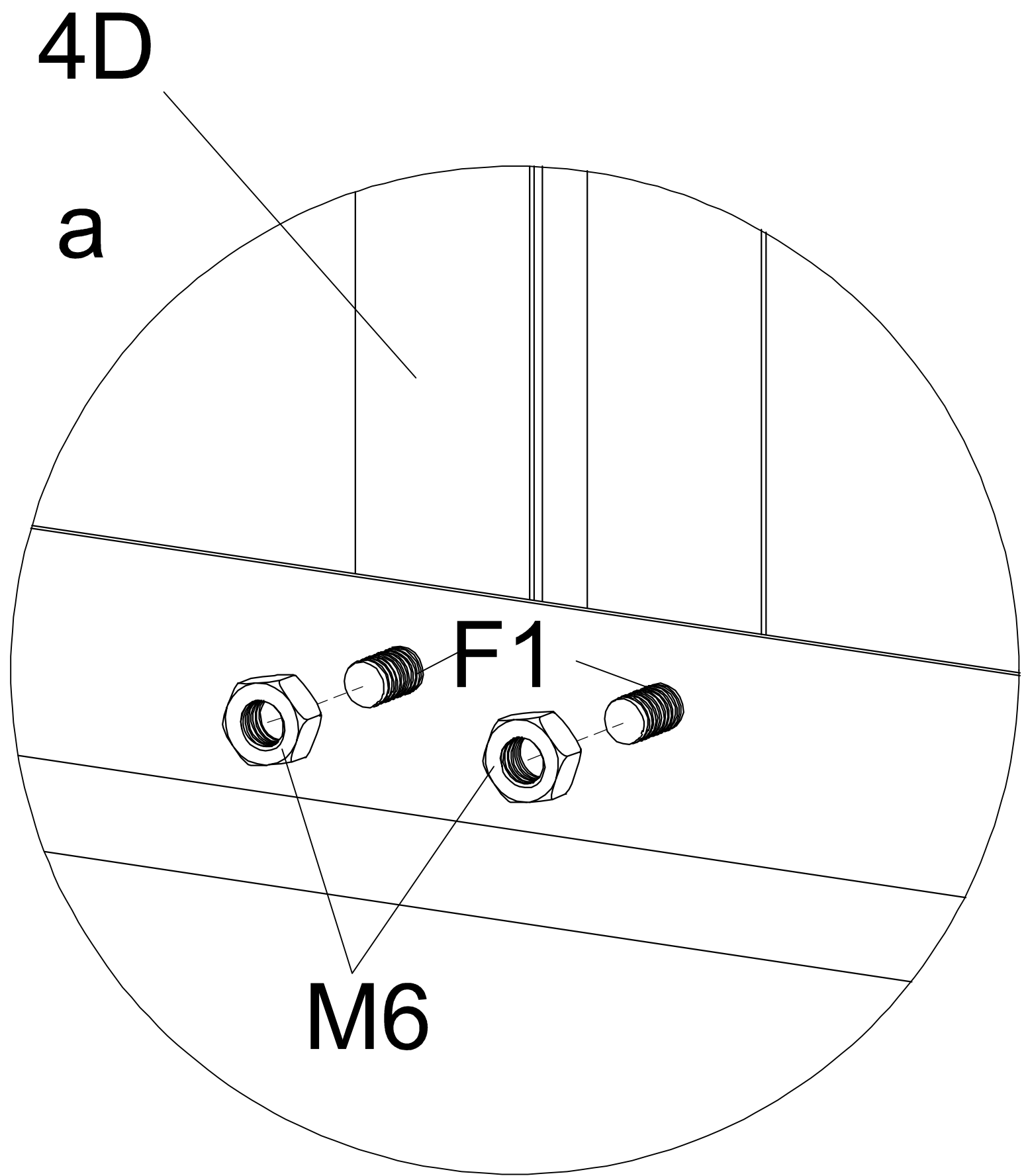


# Wall Assembly

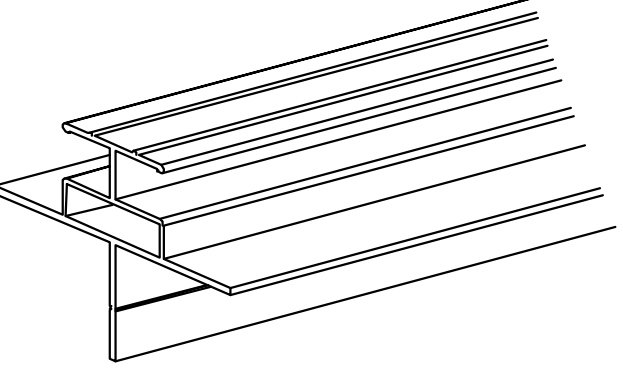
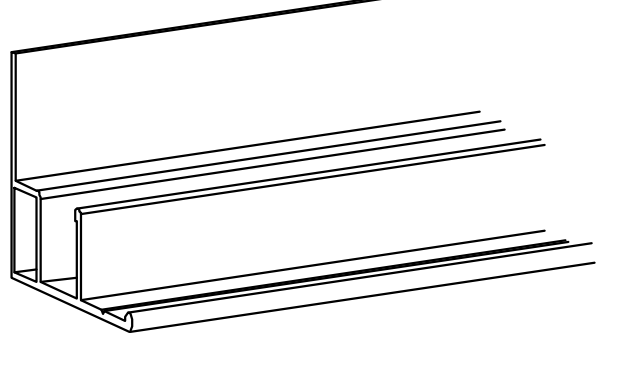
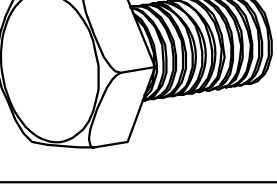
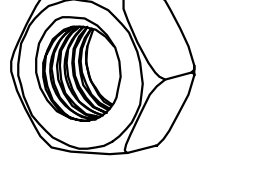
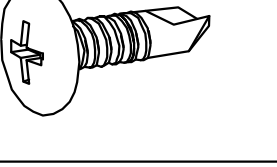
PART	NO	QTY
	5B	2
	4D	1
	F1 M6X12	6
	M6 M6	6

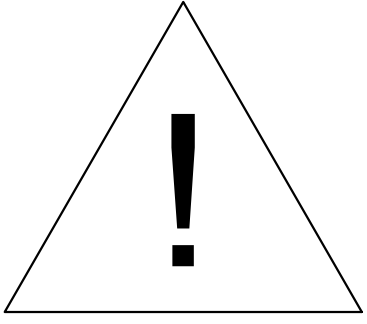
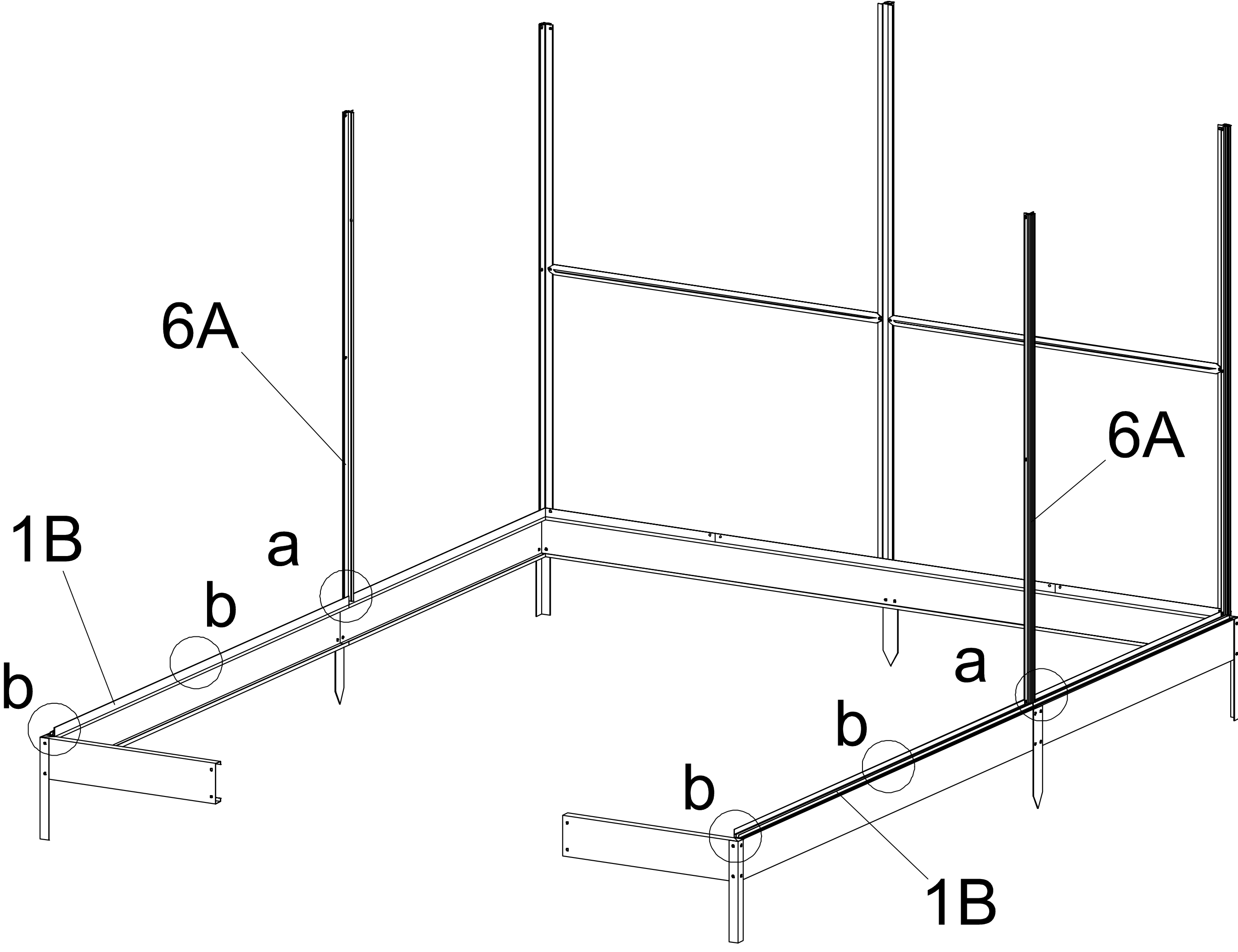


Attention! Put the side with 3 holes of 5B facing downwards.

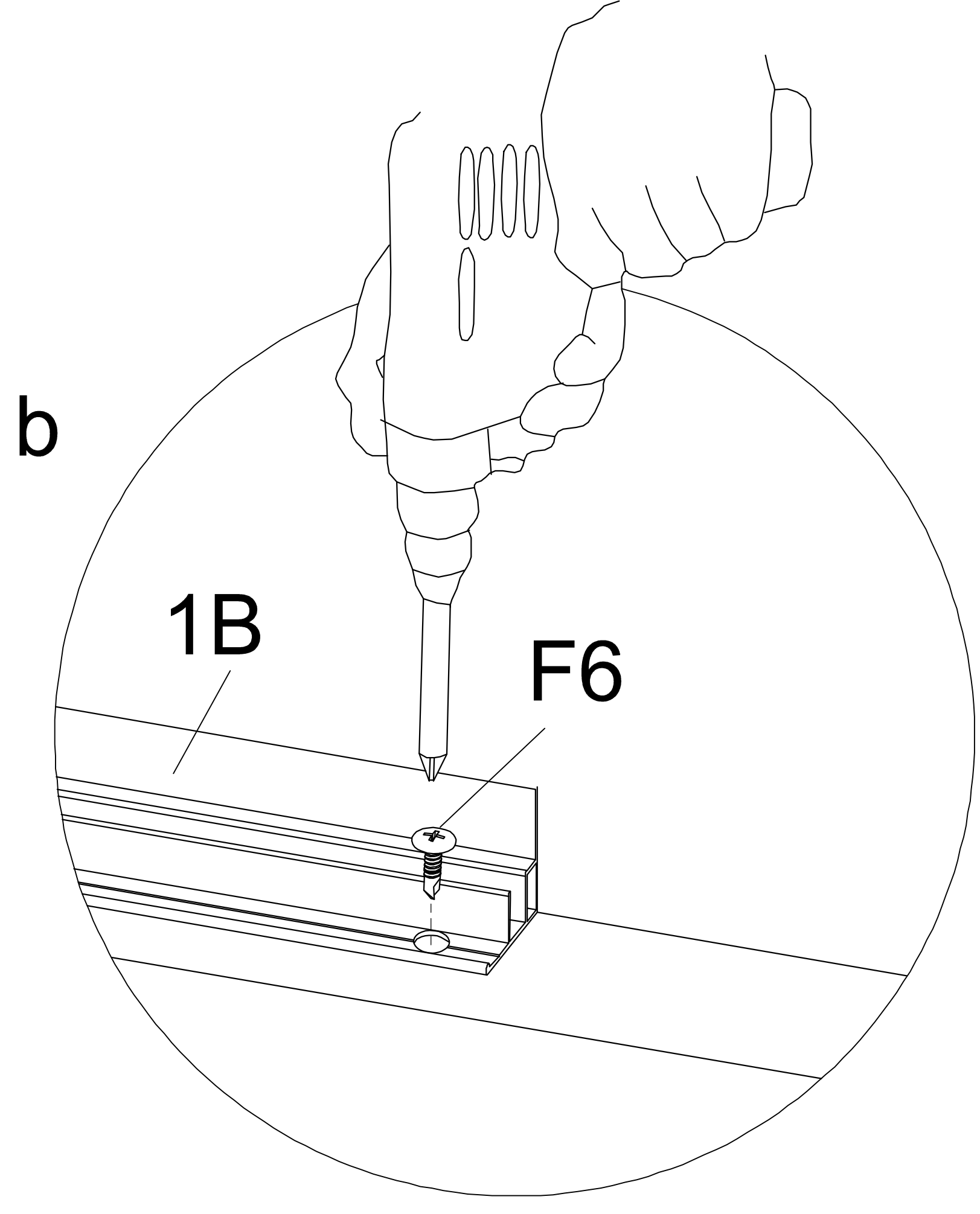
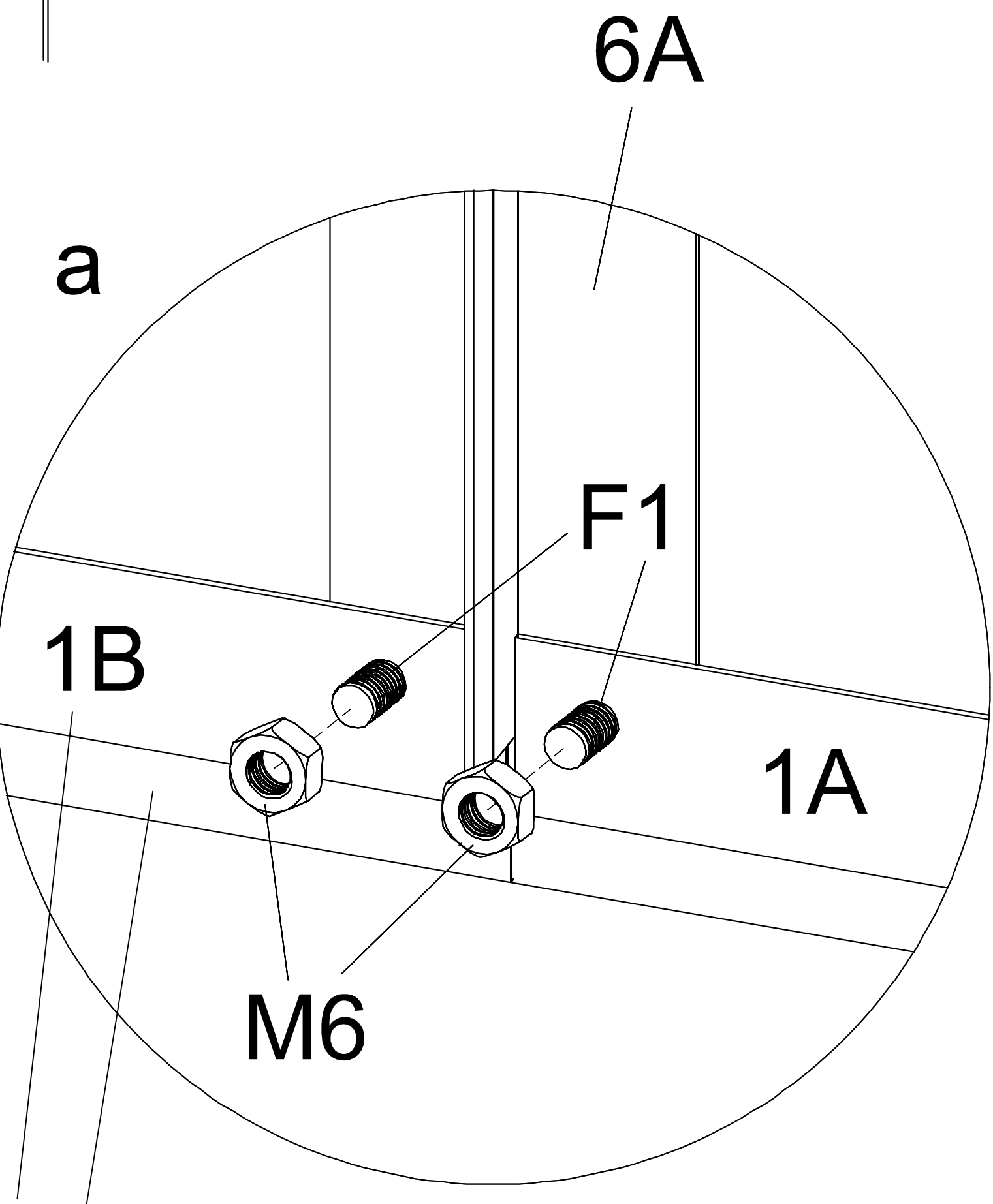
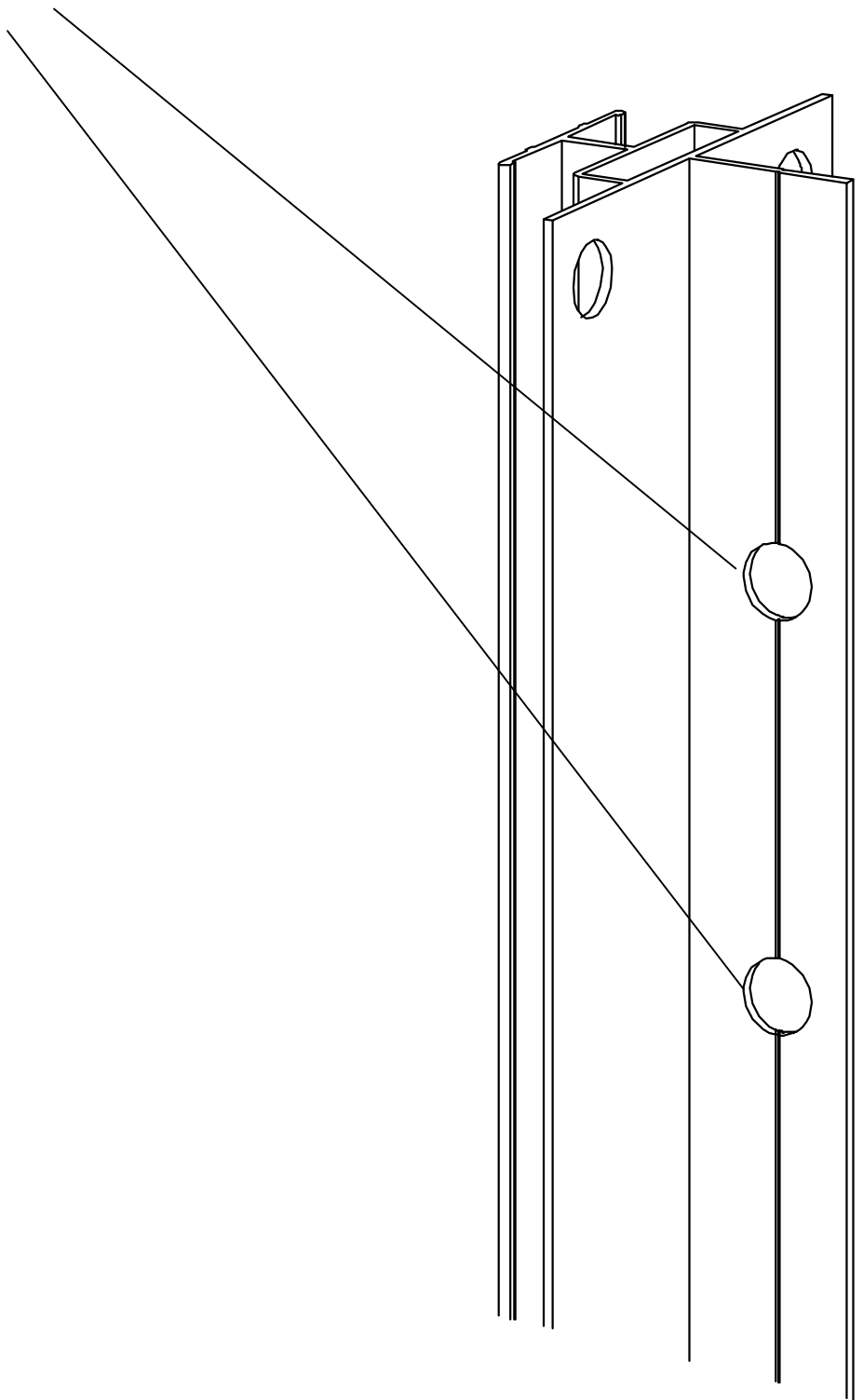


# Wall Assembly

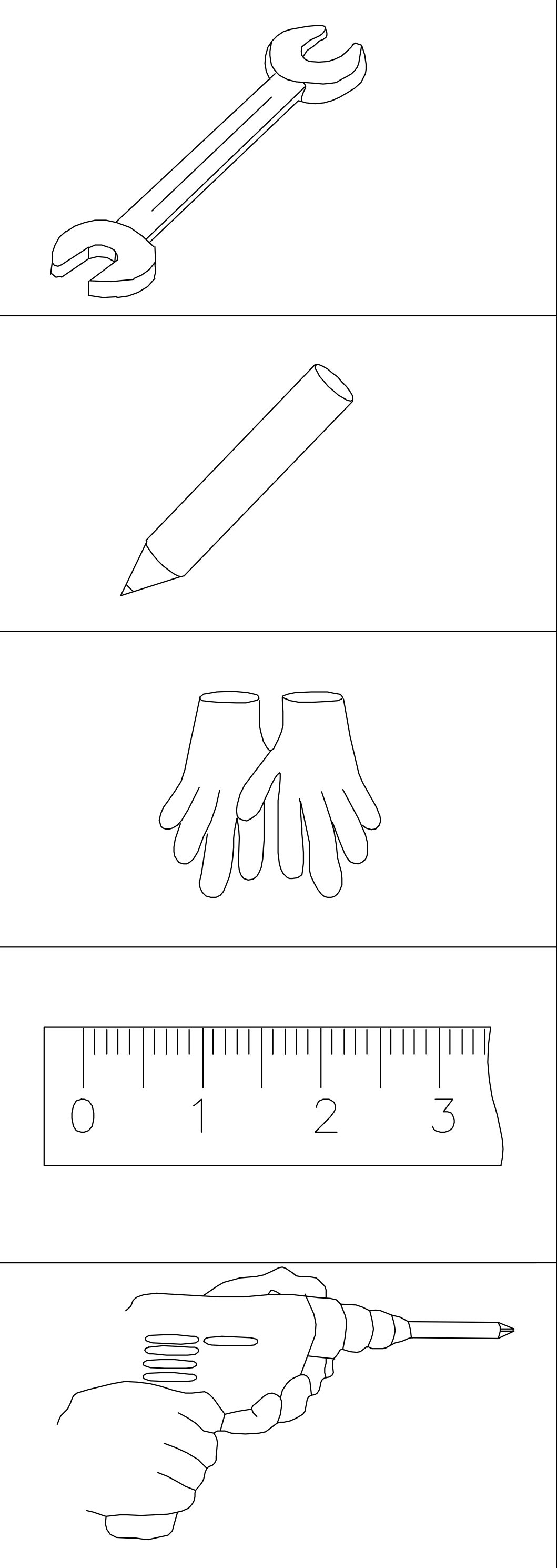
PART	NO	QTY
	6A	2
	1B	2
	F1 M6X12	4
	M6 M6	4
	F6 Ø4.2X13	10



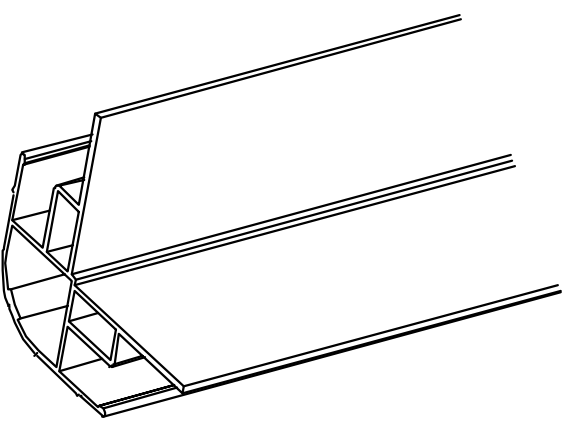
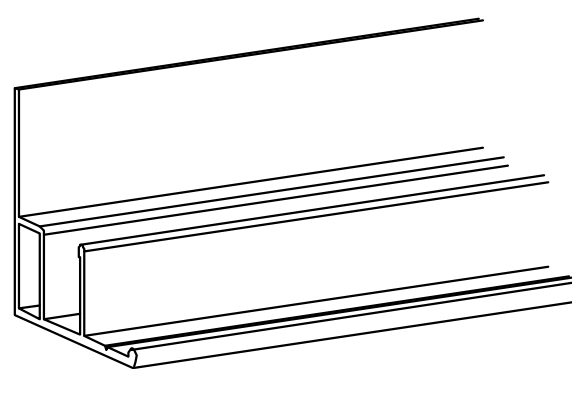
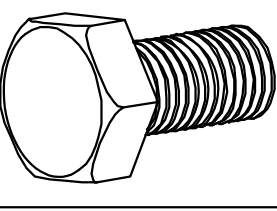
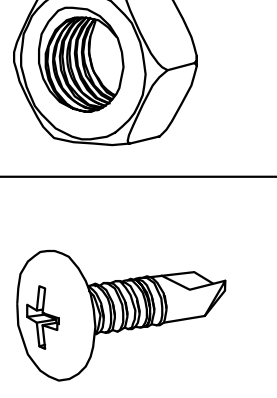
**Attention!** : Install the 6A with the side with the hole facing upwards!

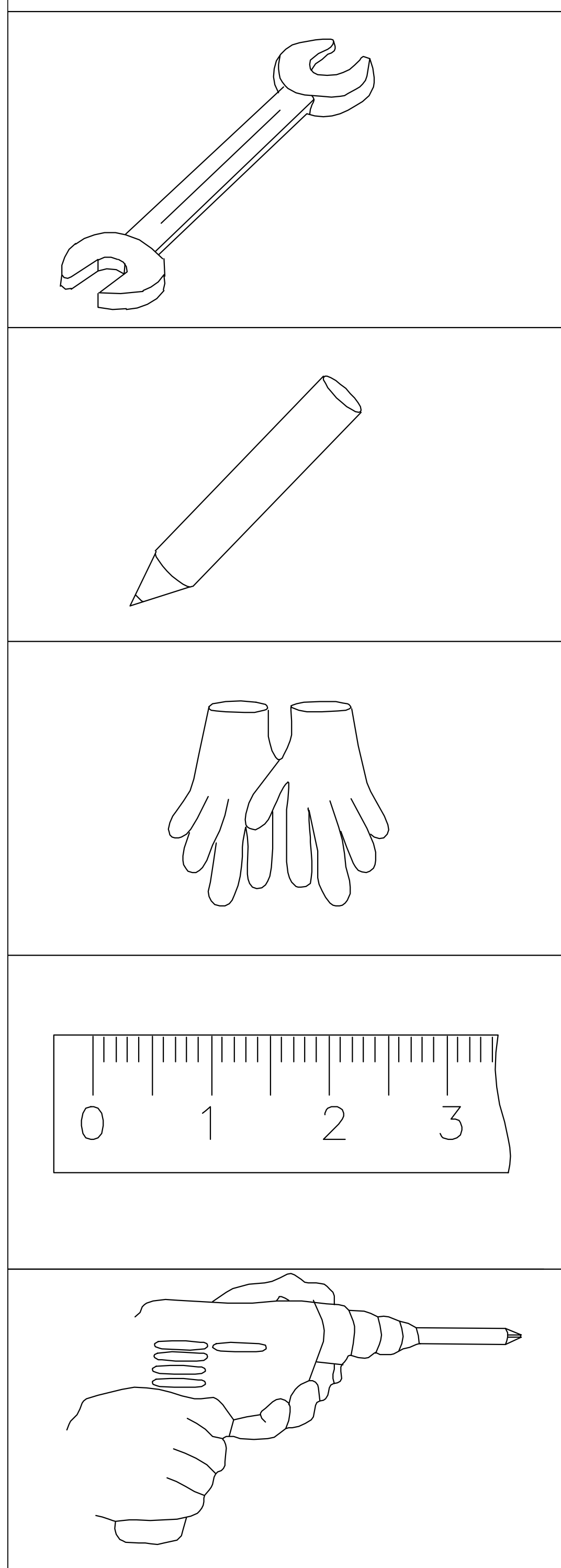
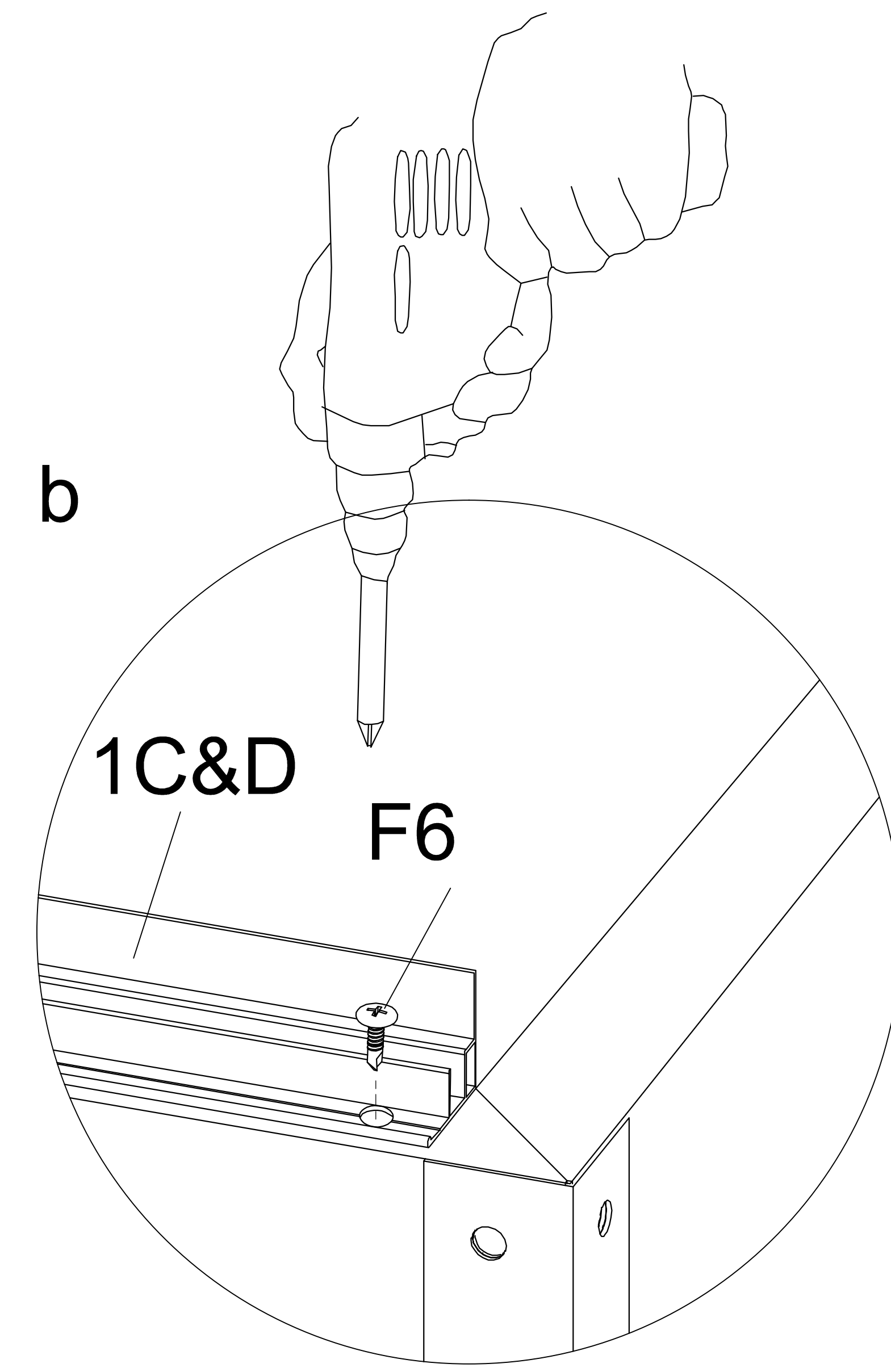
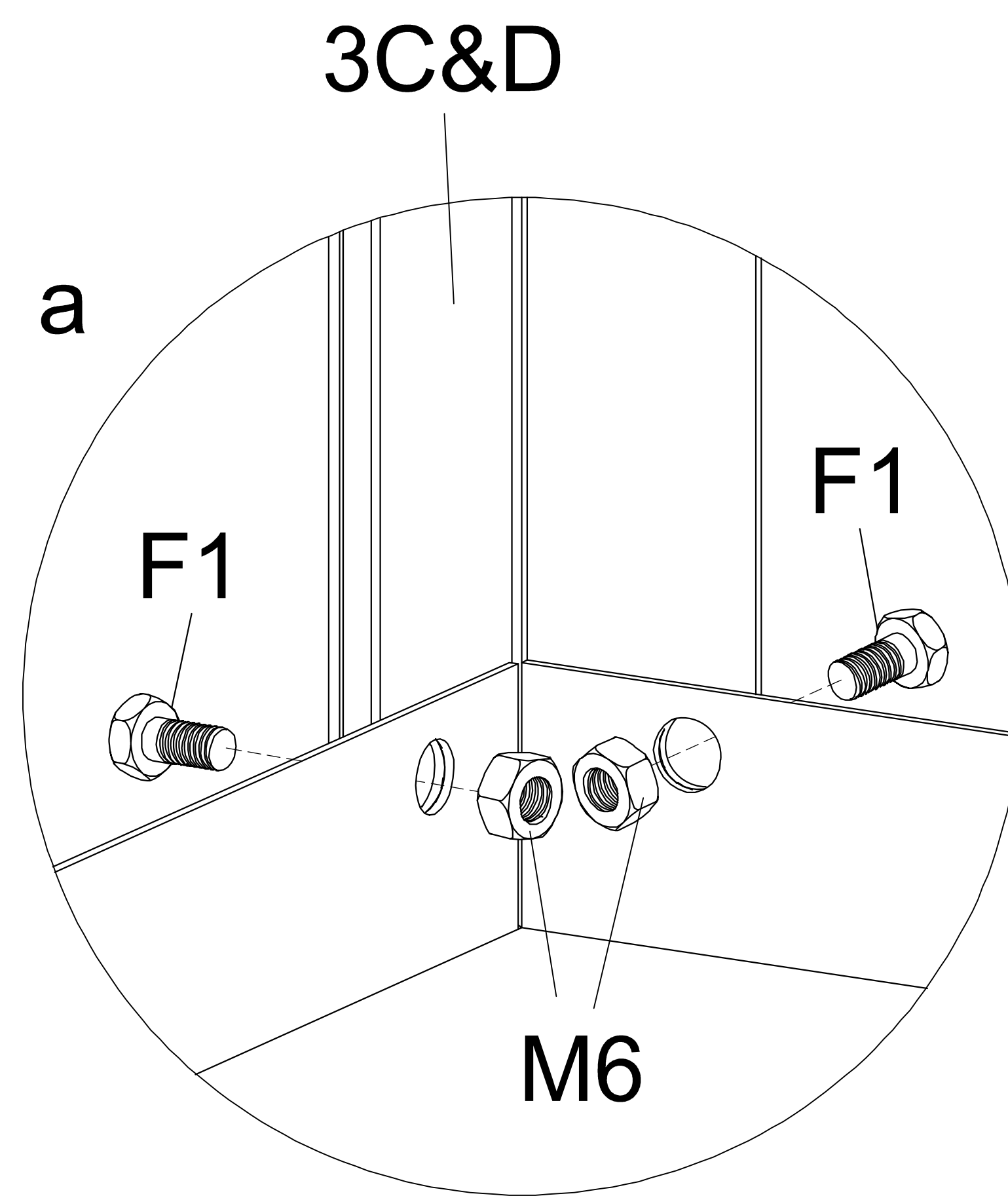
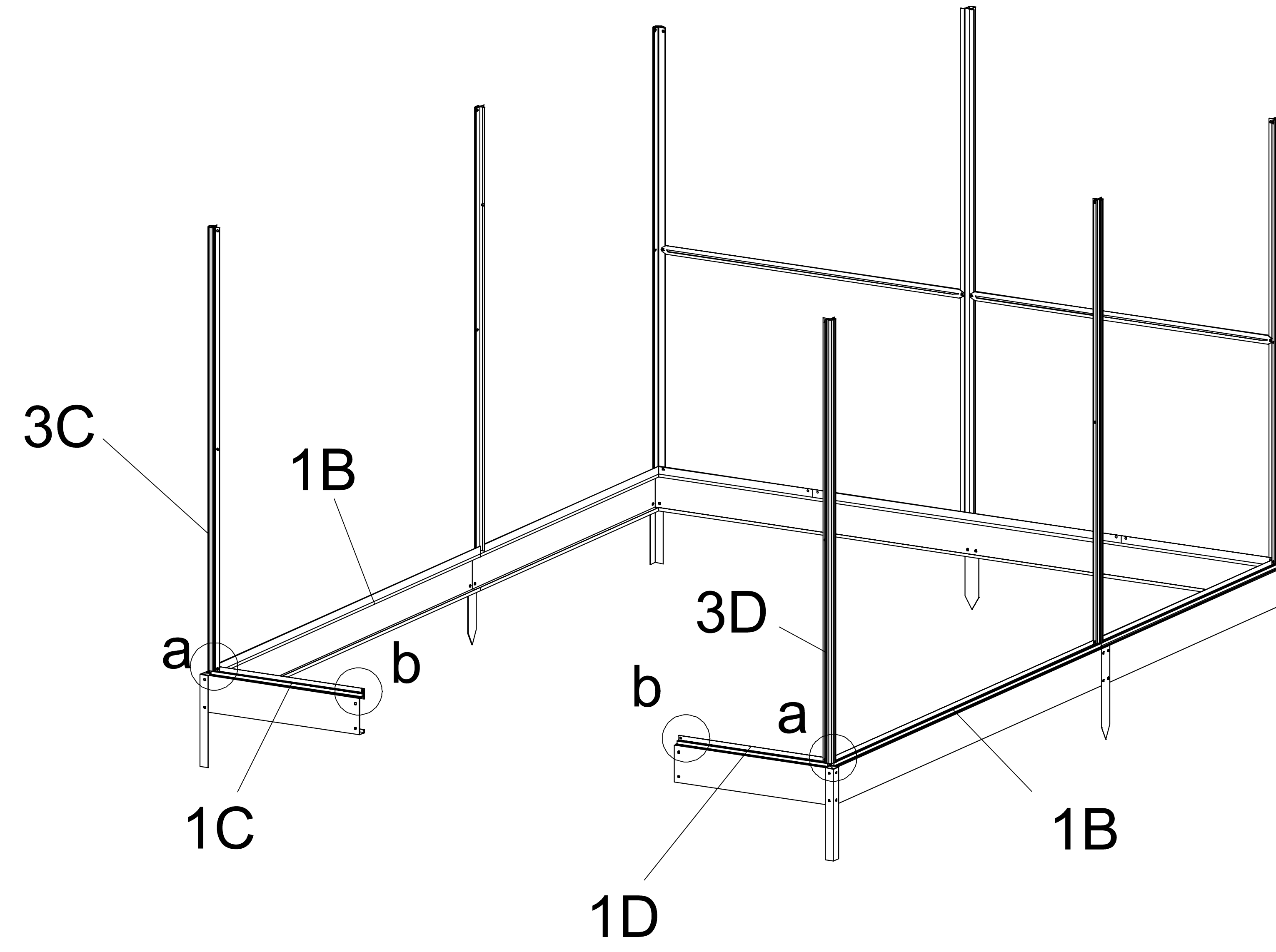


Line up from inside

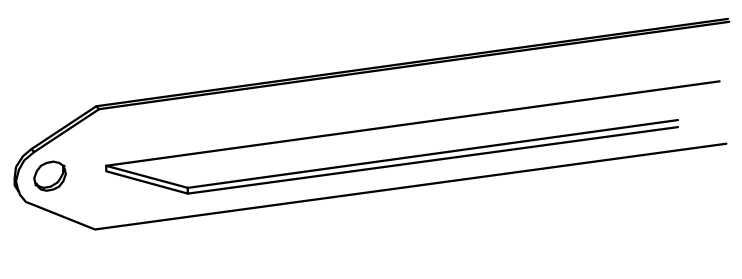
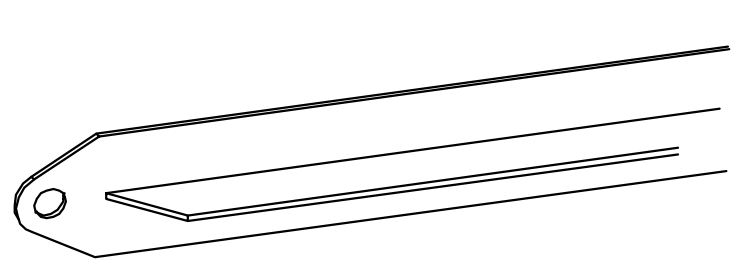
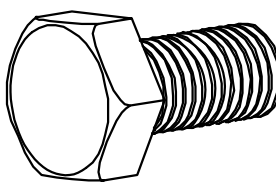
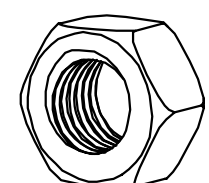


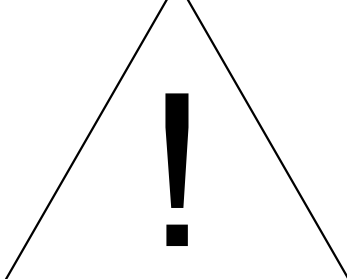
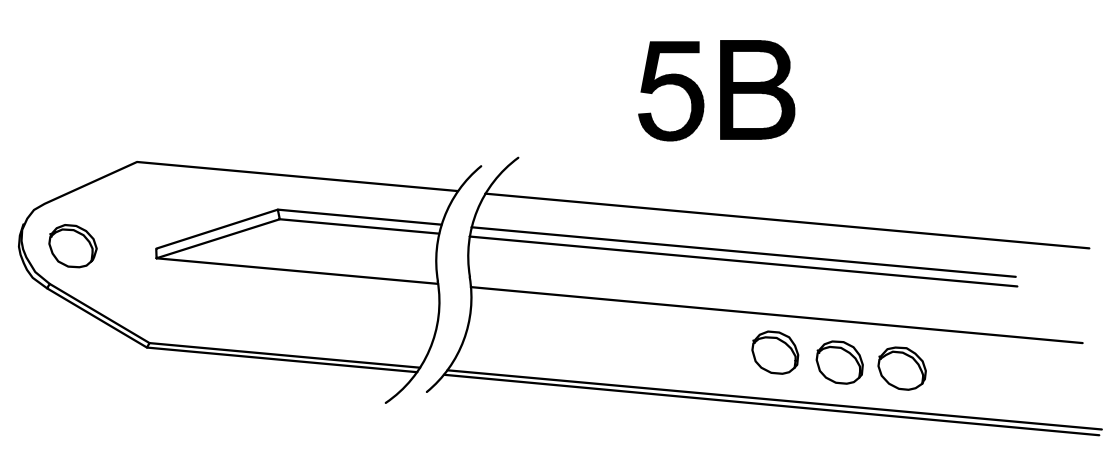
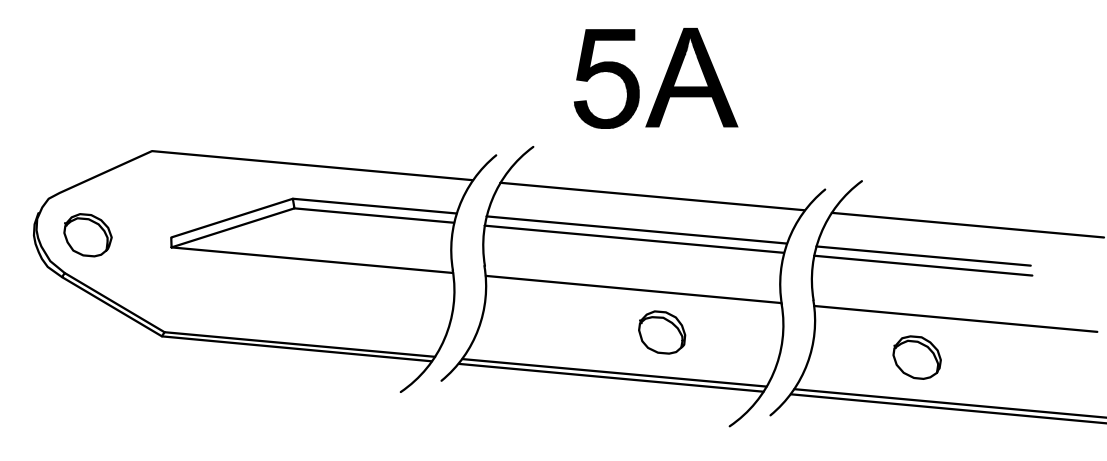
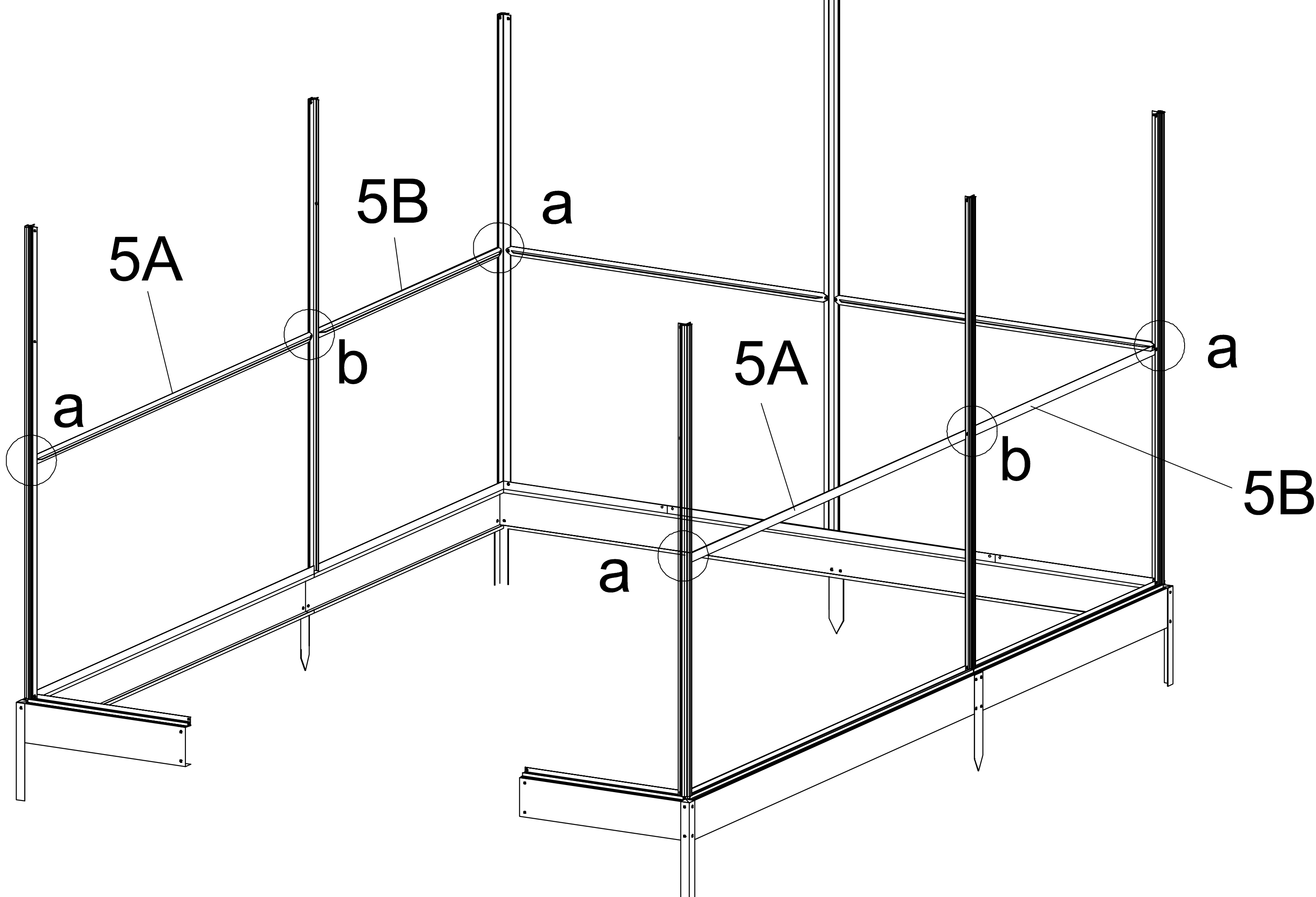
# Wall Assembly

PART	NO	QTY
	3C	1
	3D	1
	1C	1
	1D	1
	F1 M6X12	4
	M6 M6	4
	F6 Ø4.2X13	4

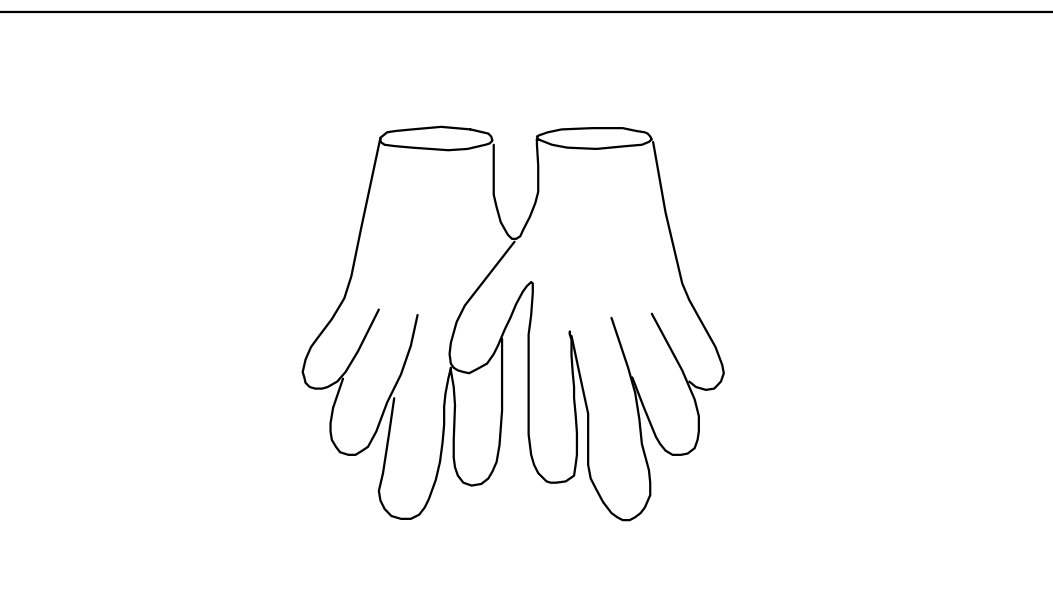
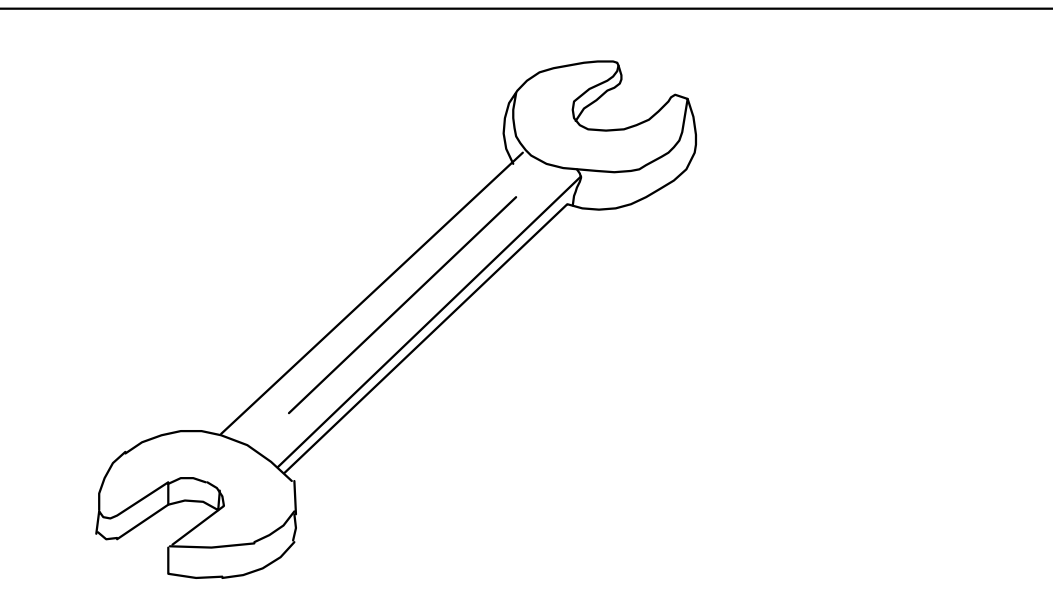
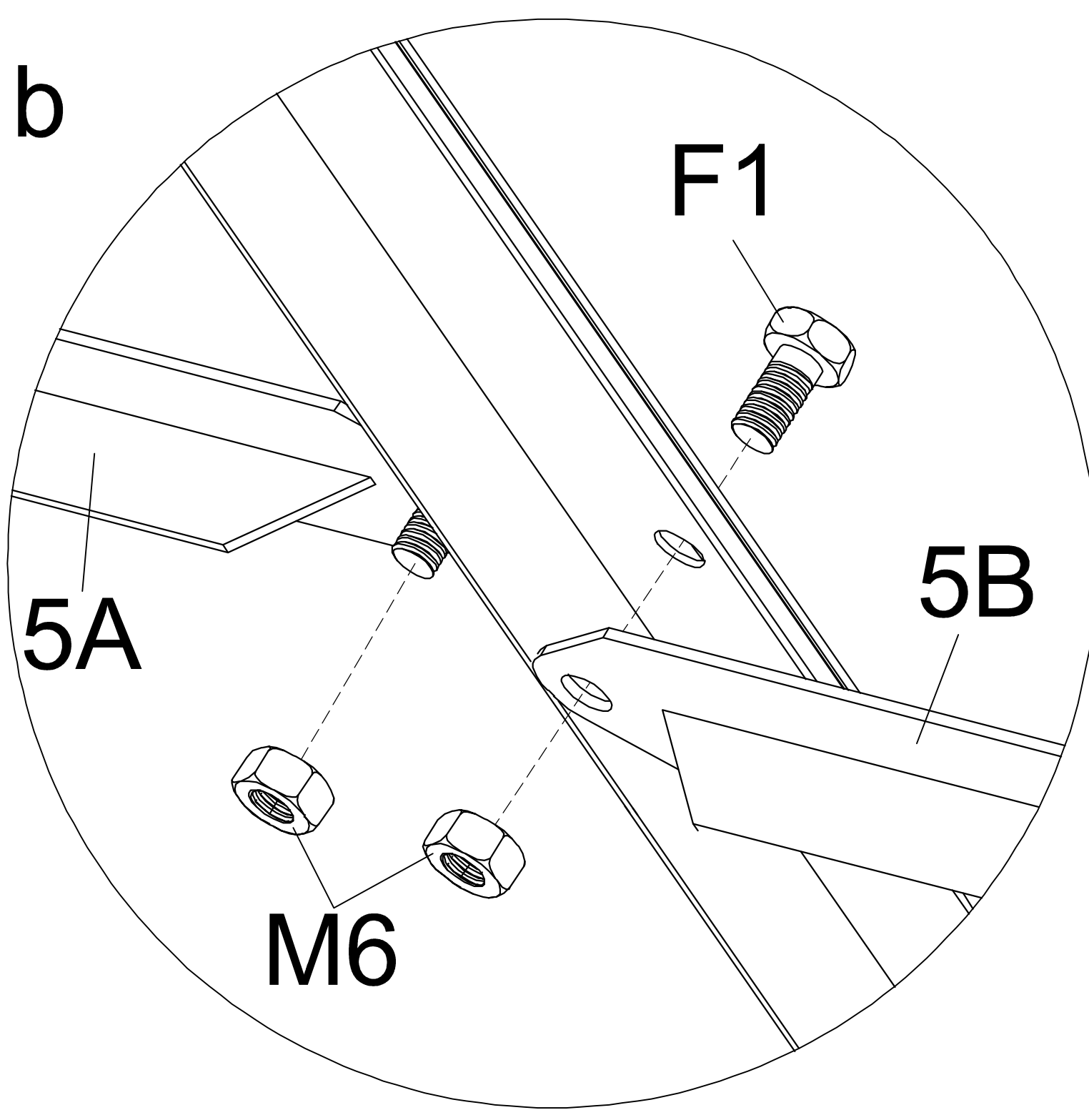
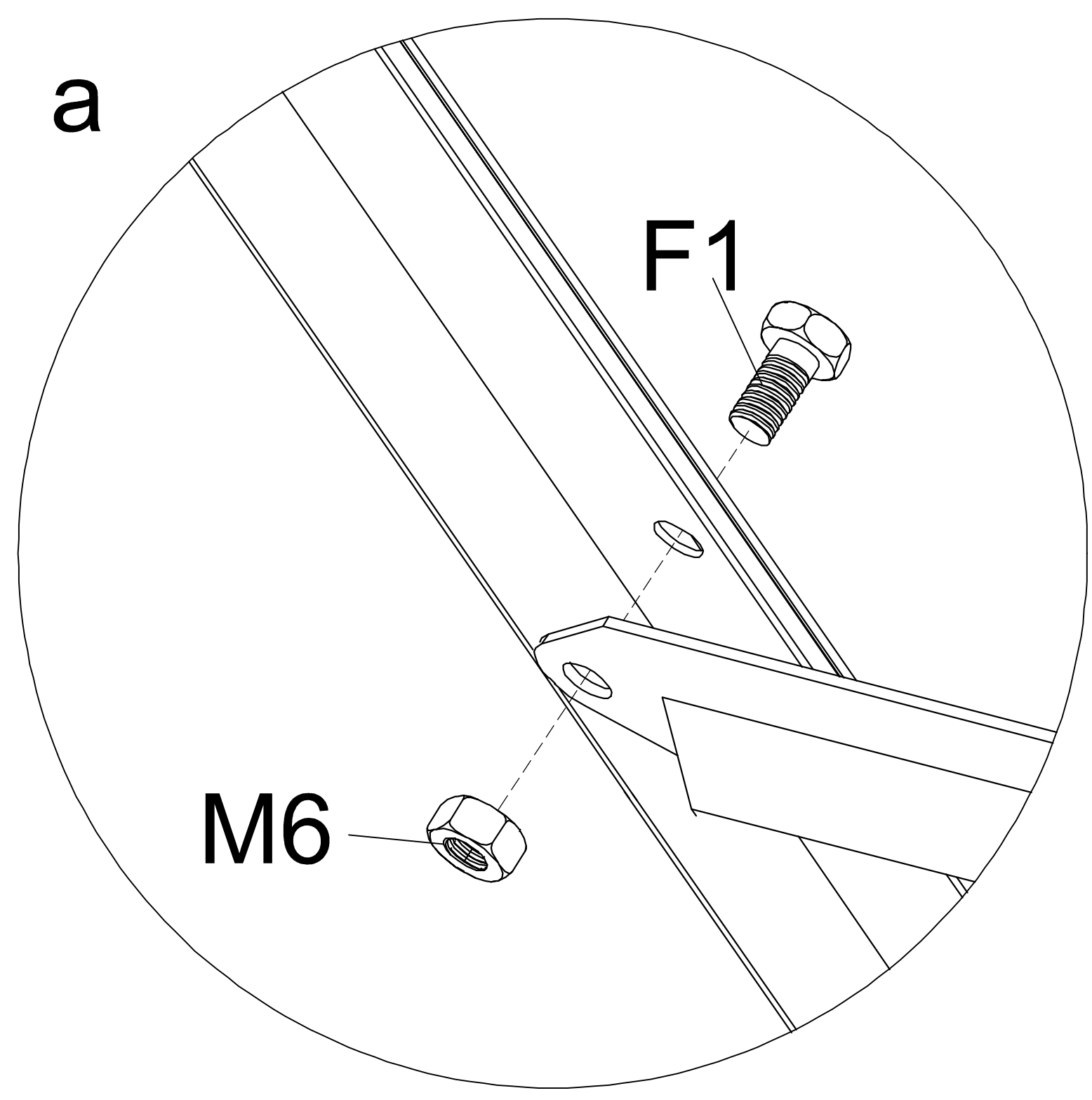


# Wall Assembly

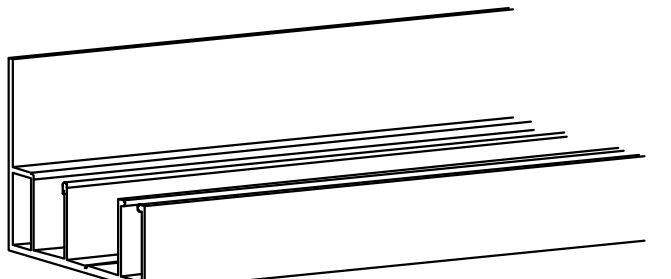
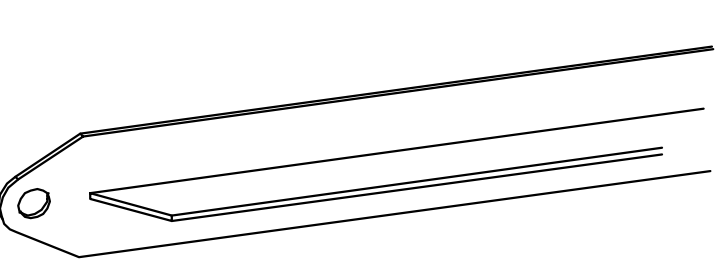
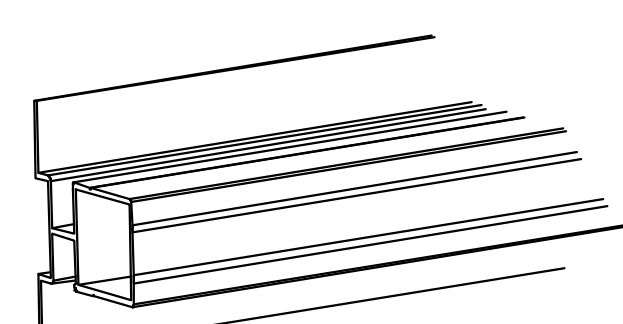
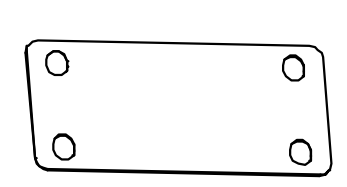
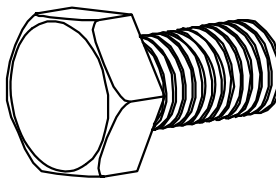
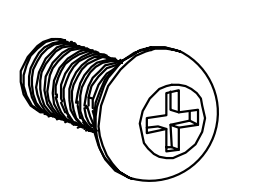
PART	NO	QTY
	5A	2
	5B	2
	F1 M6X12	8
	M6 M6	8

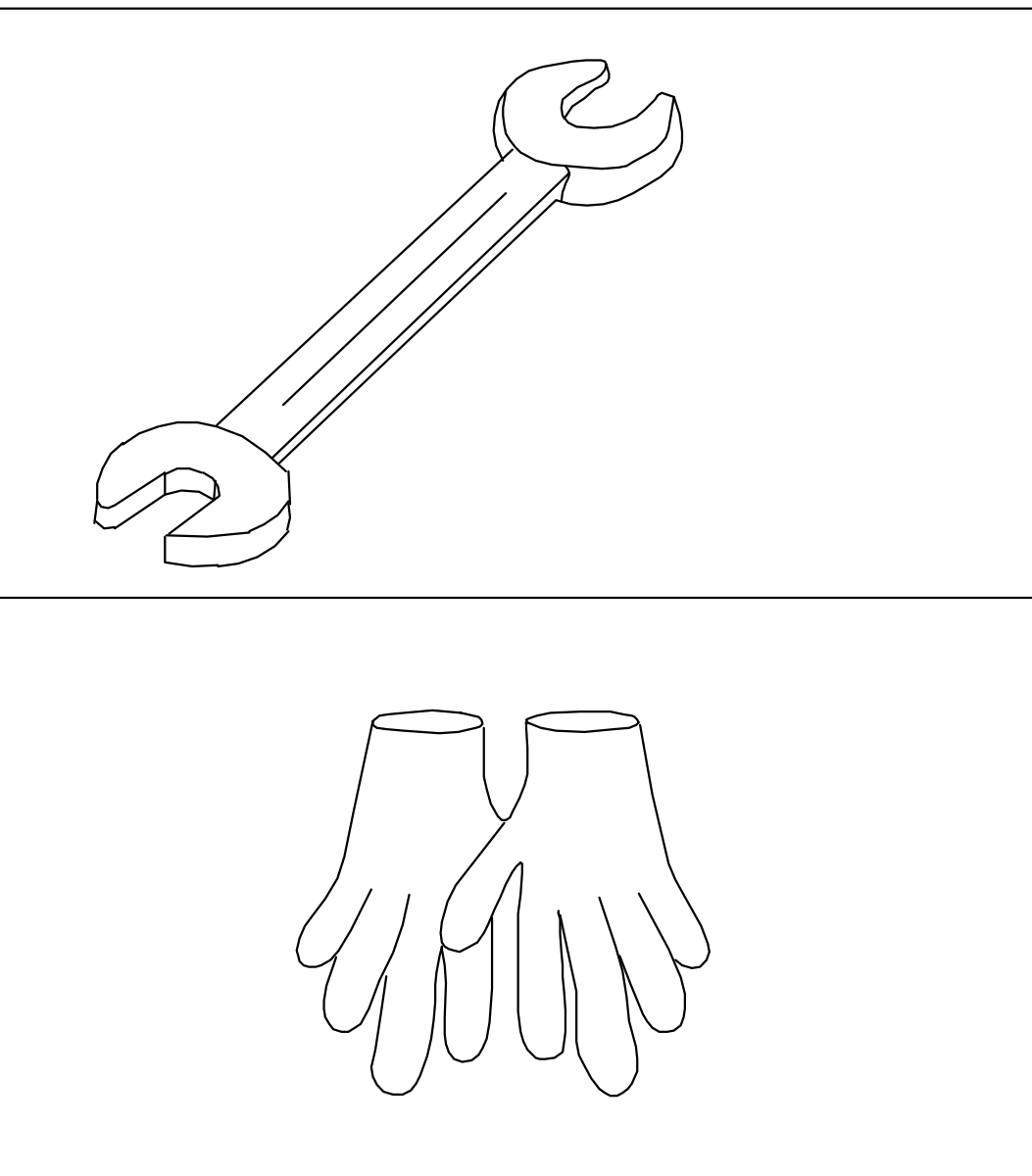
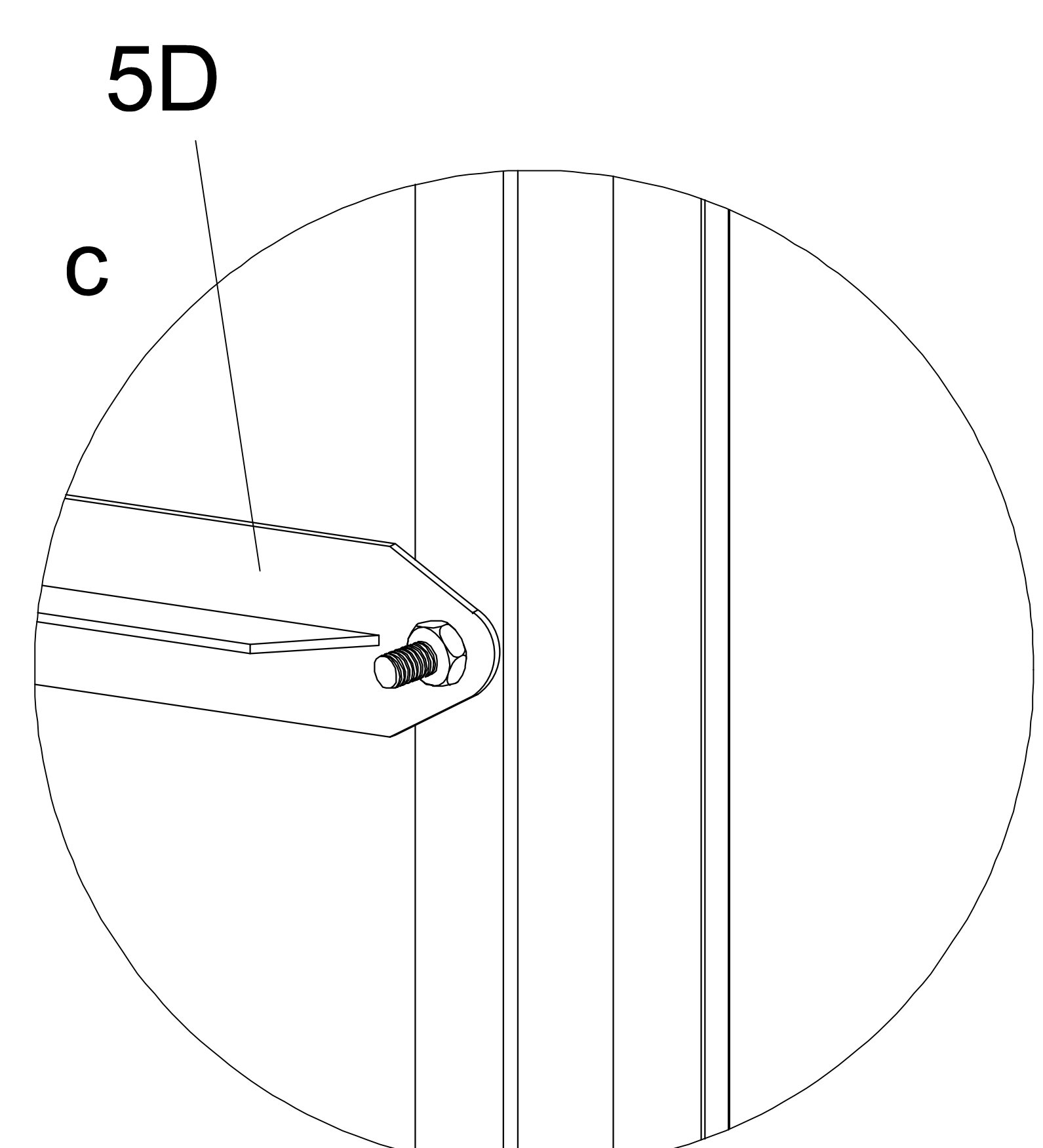
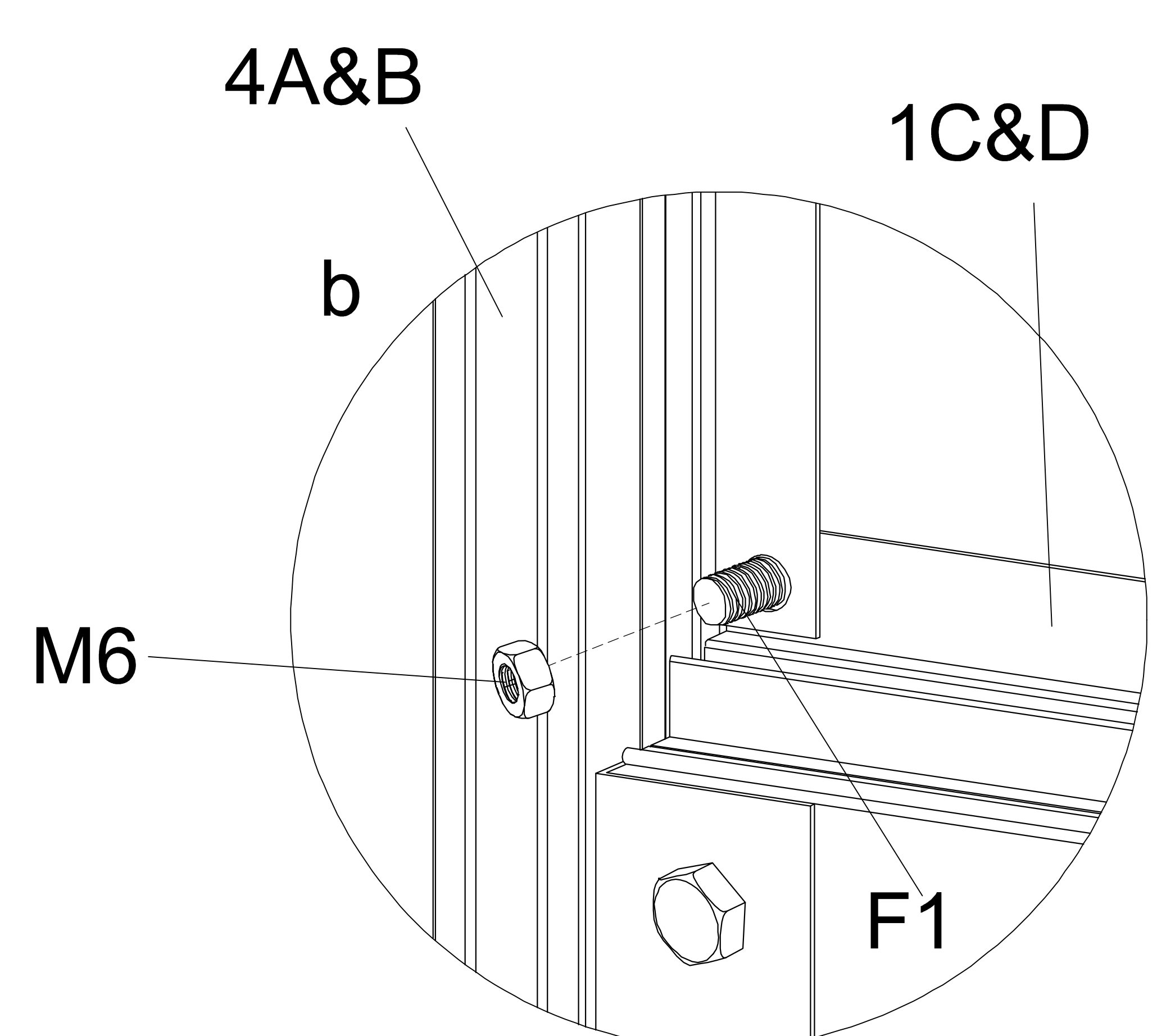
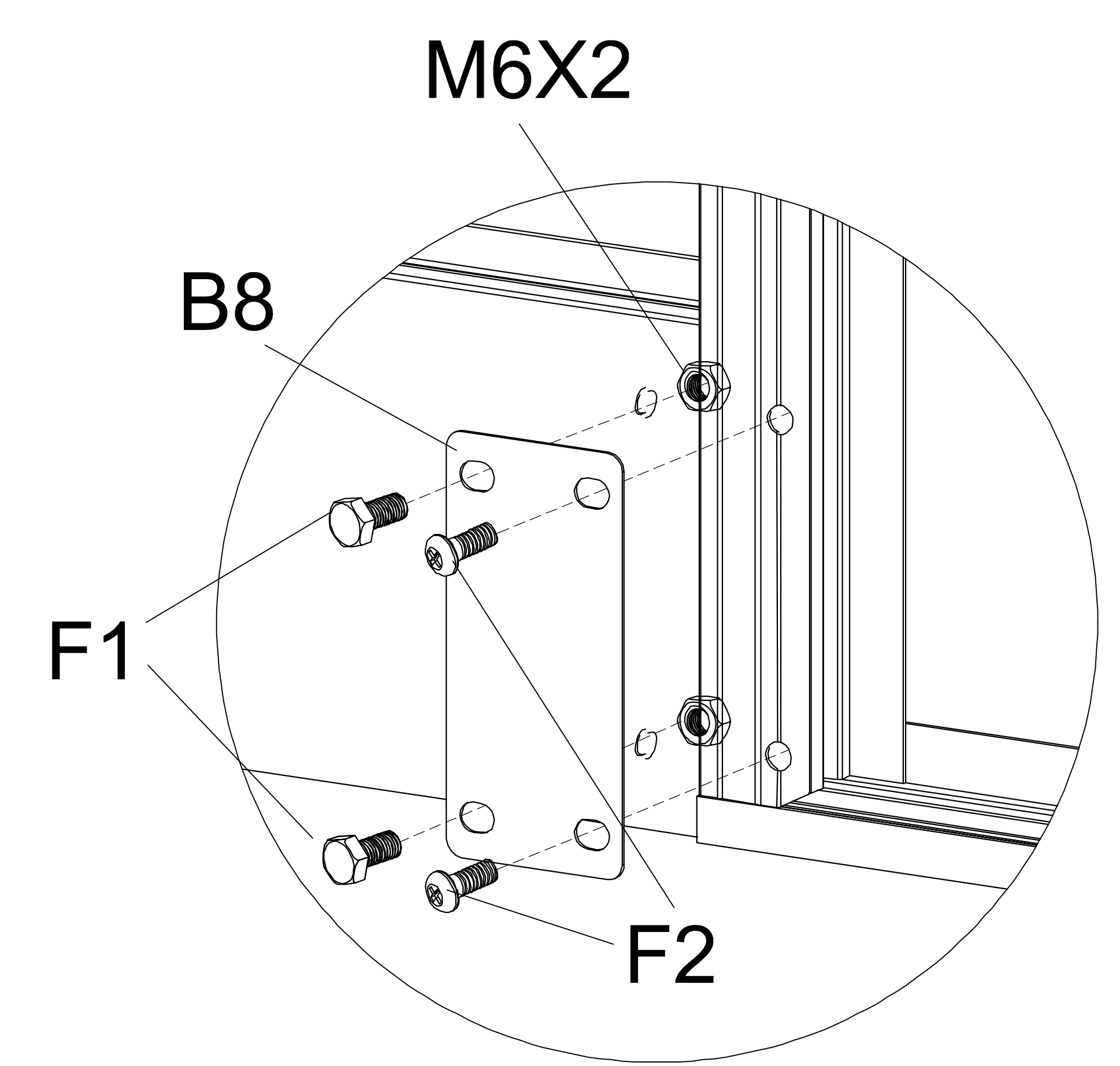
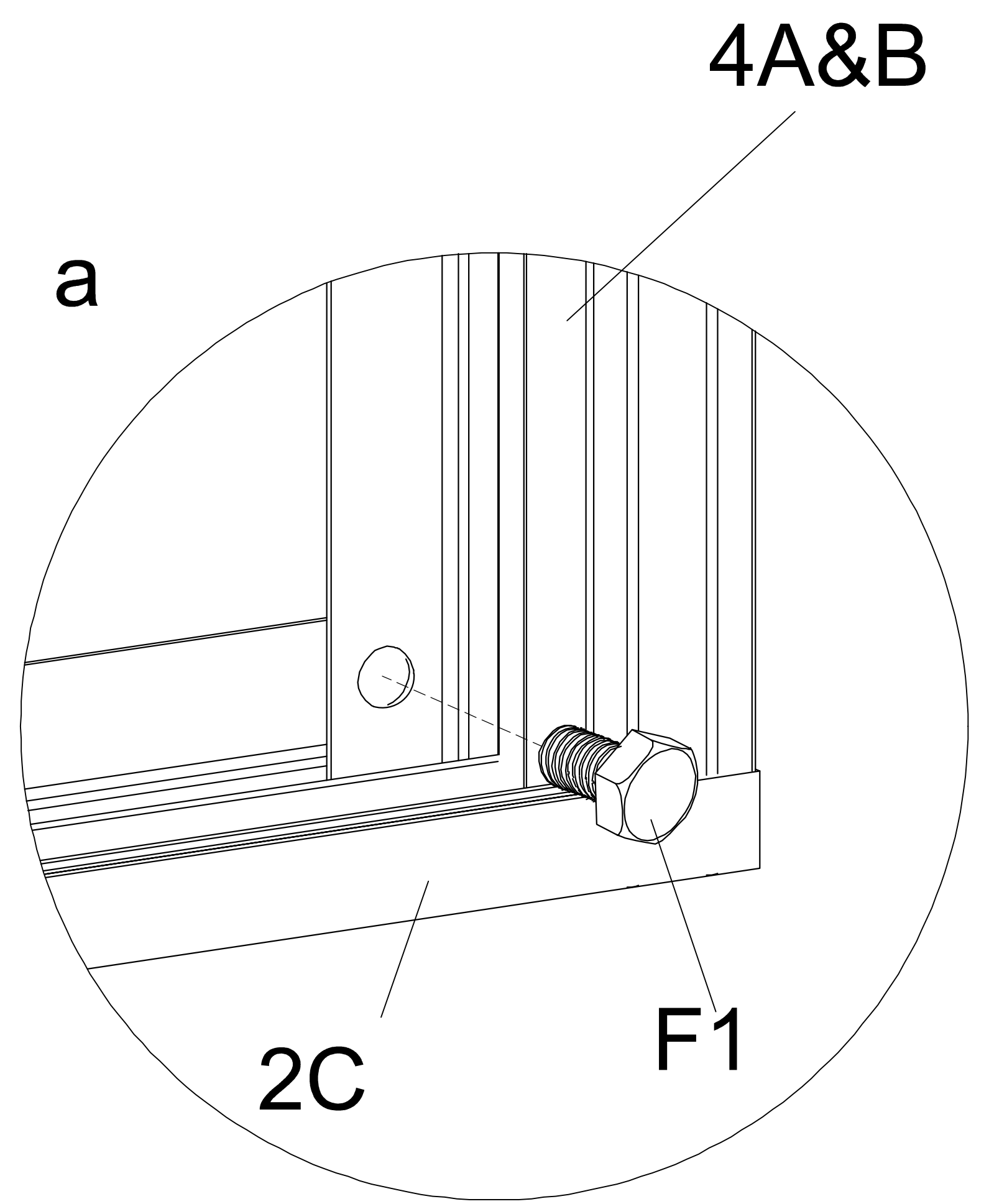
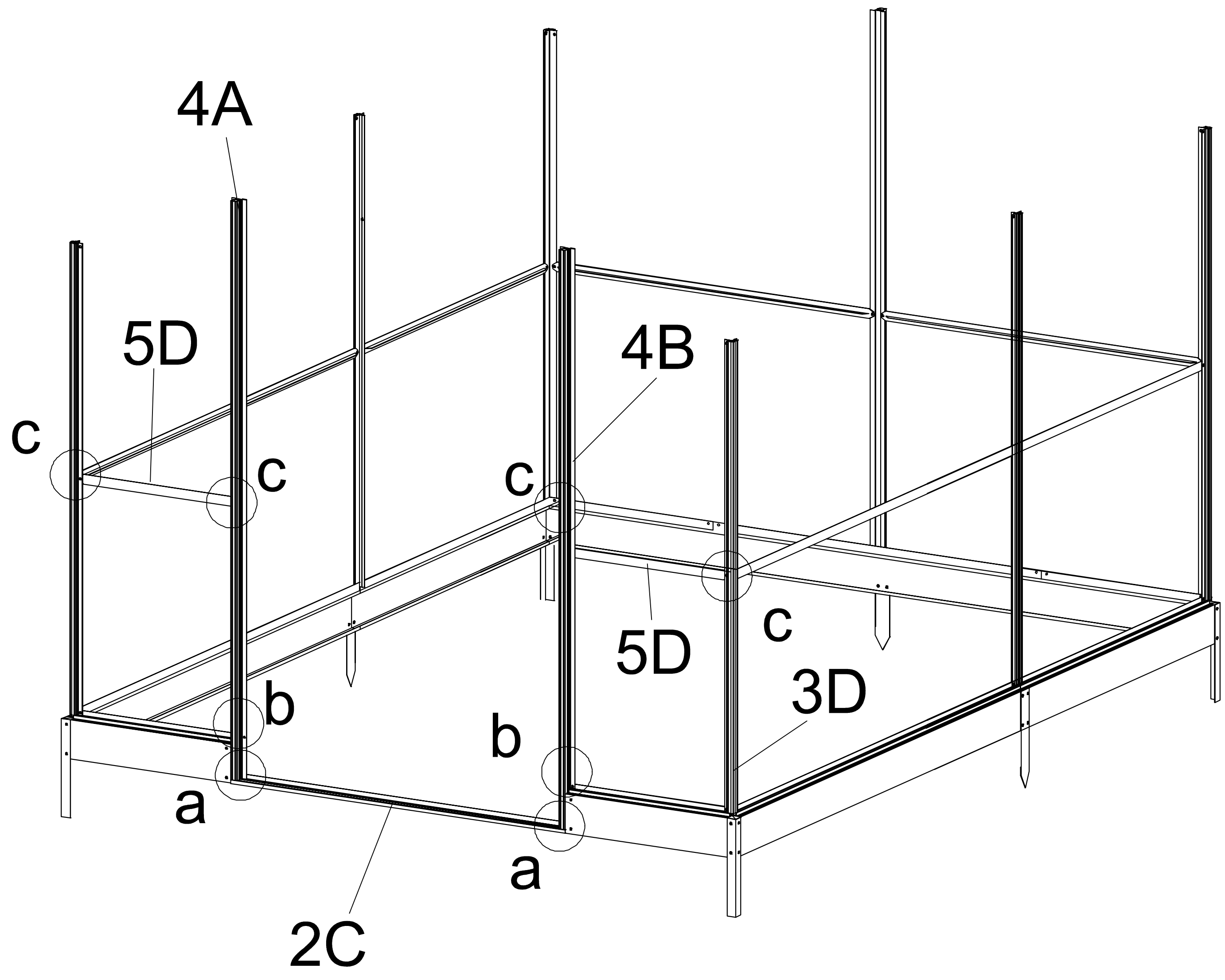


Attention! Put the side with 2 holes of 5A facing downwards.  
Put the side with 3 holes of 5B facing downwards.

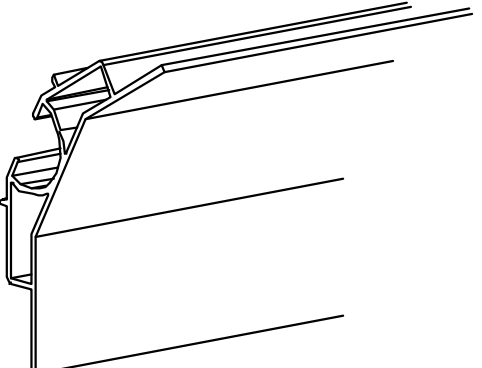
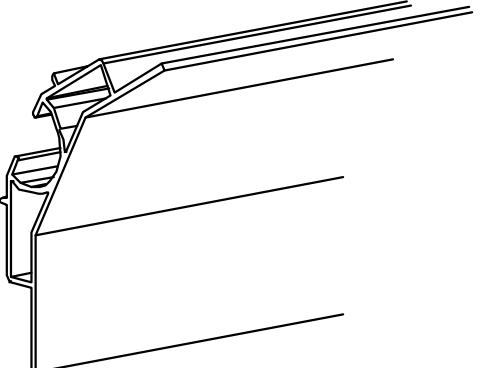
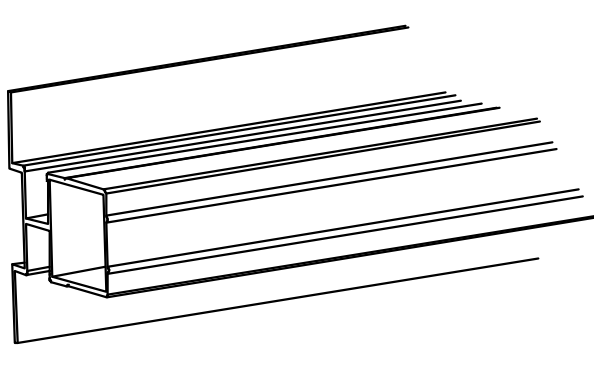
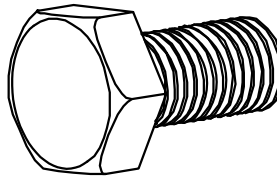
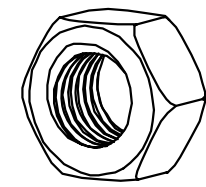


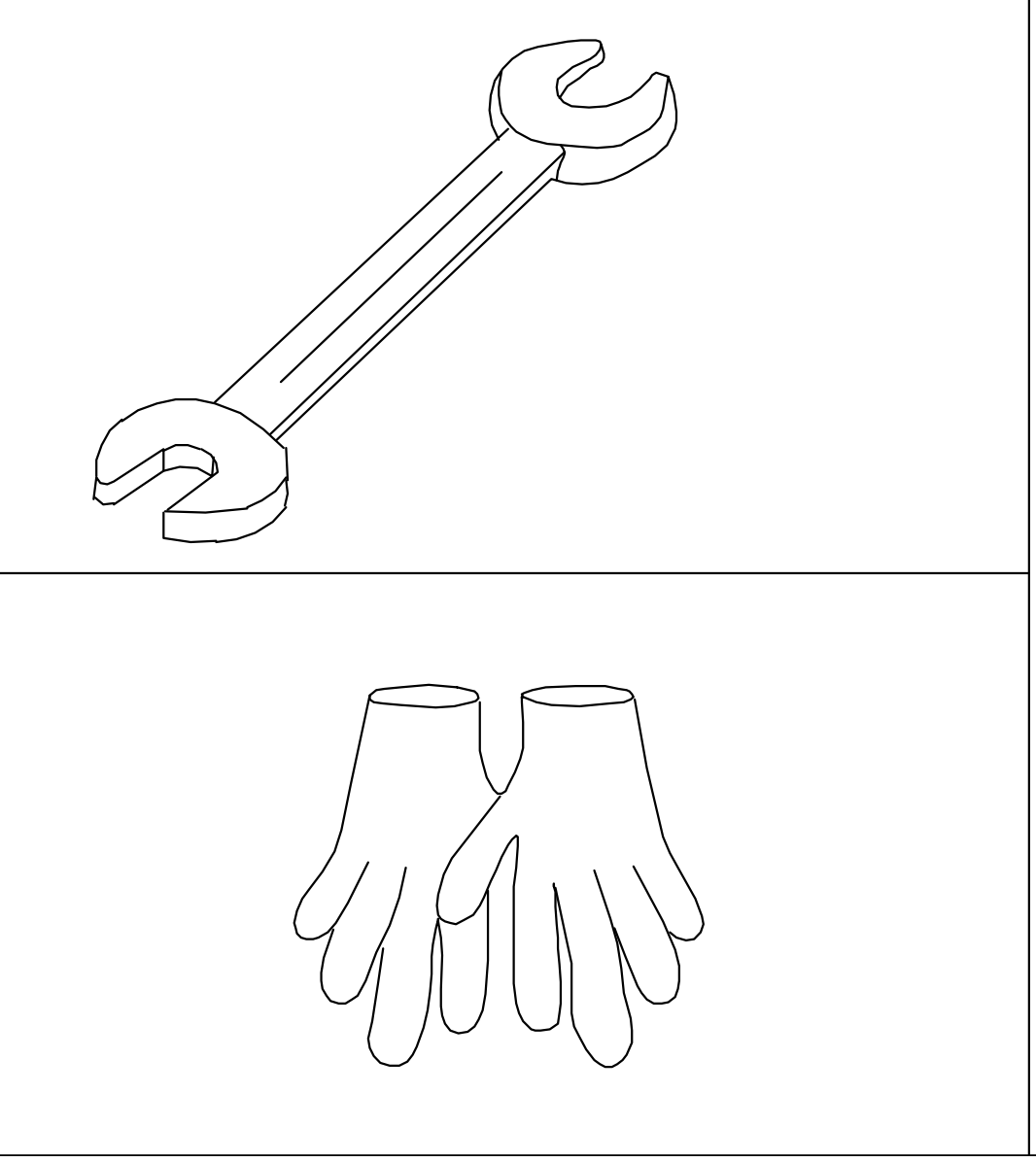
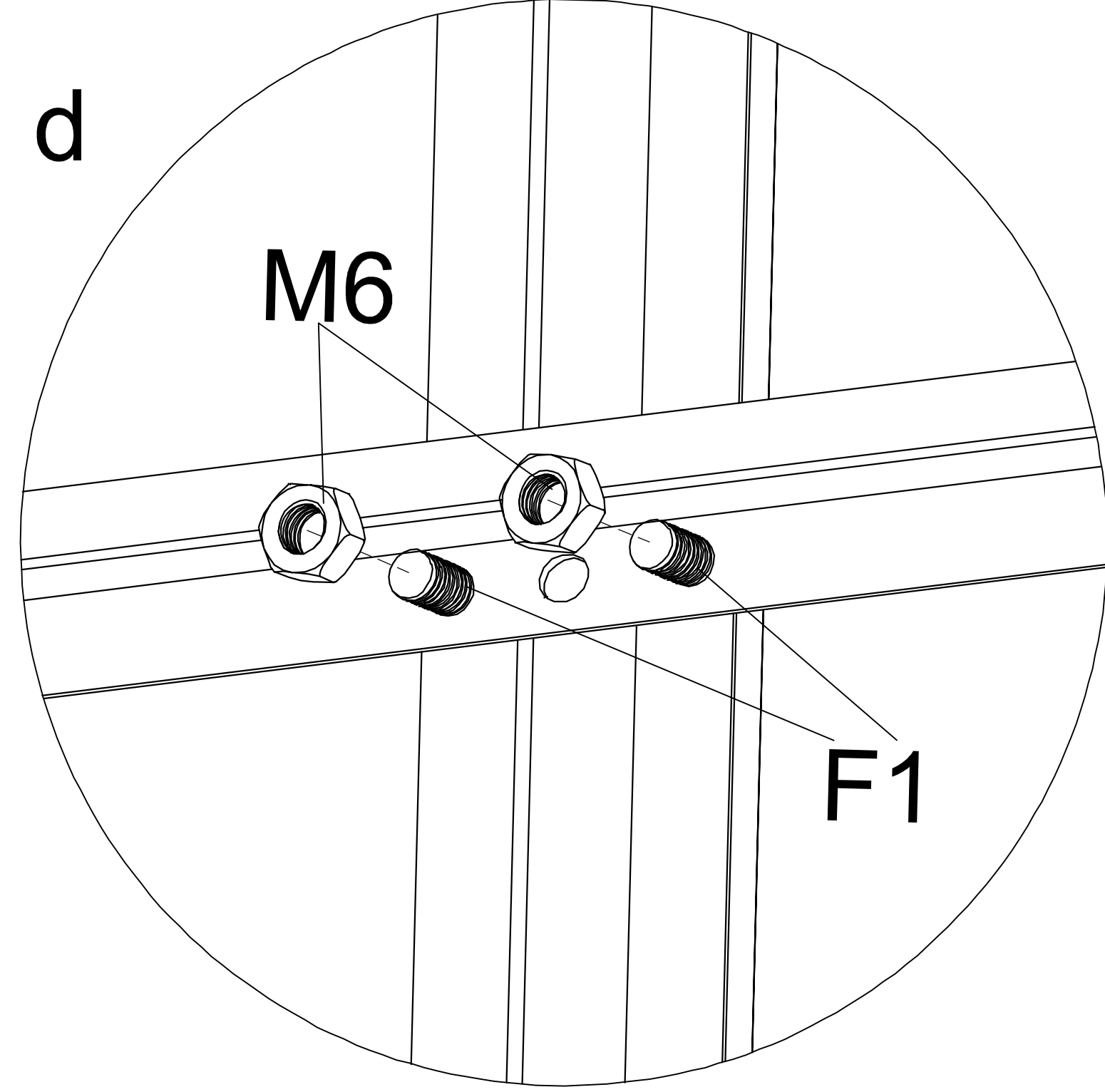
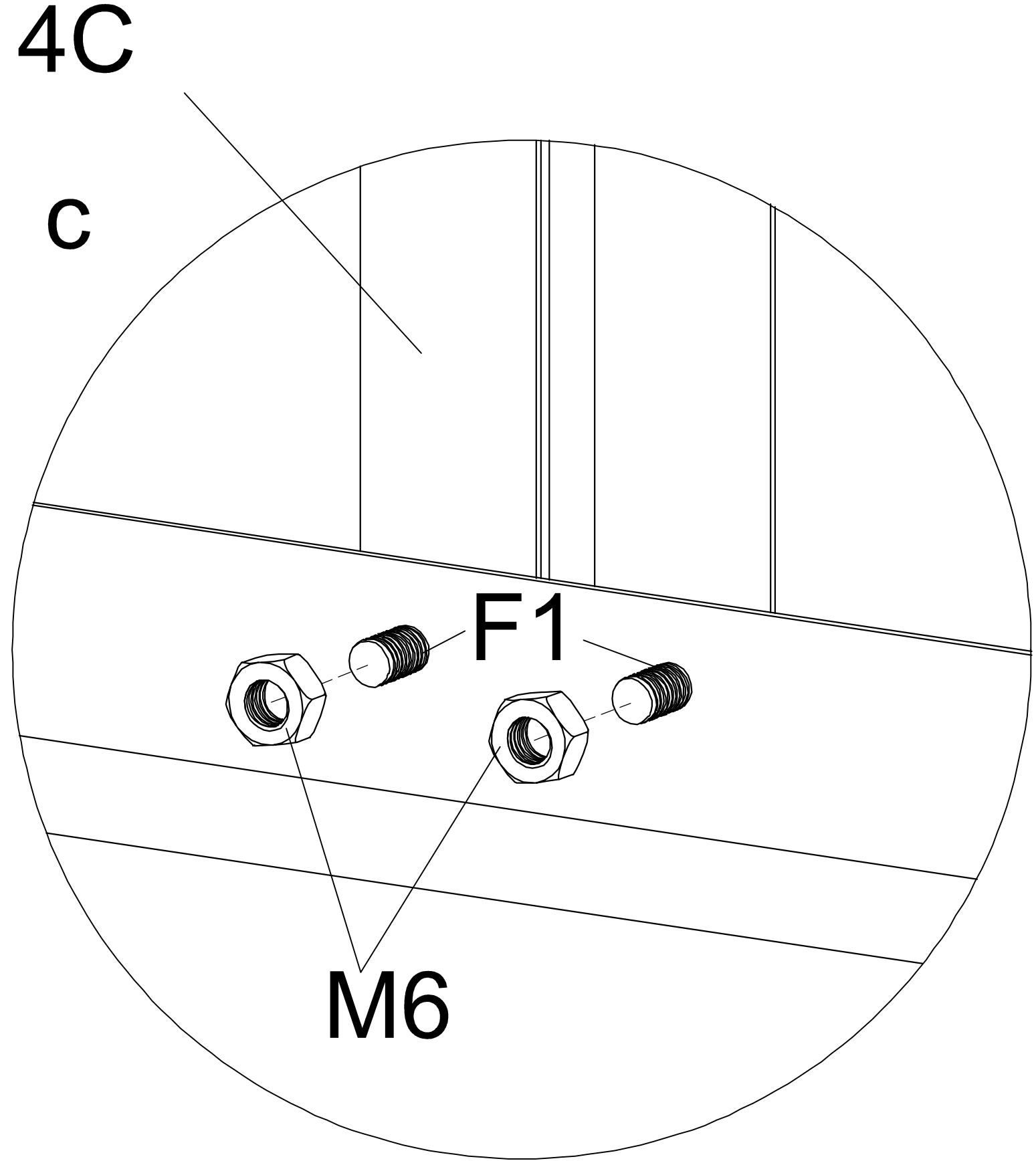
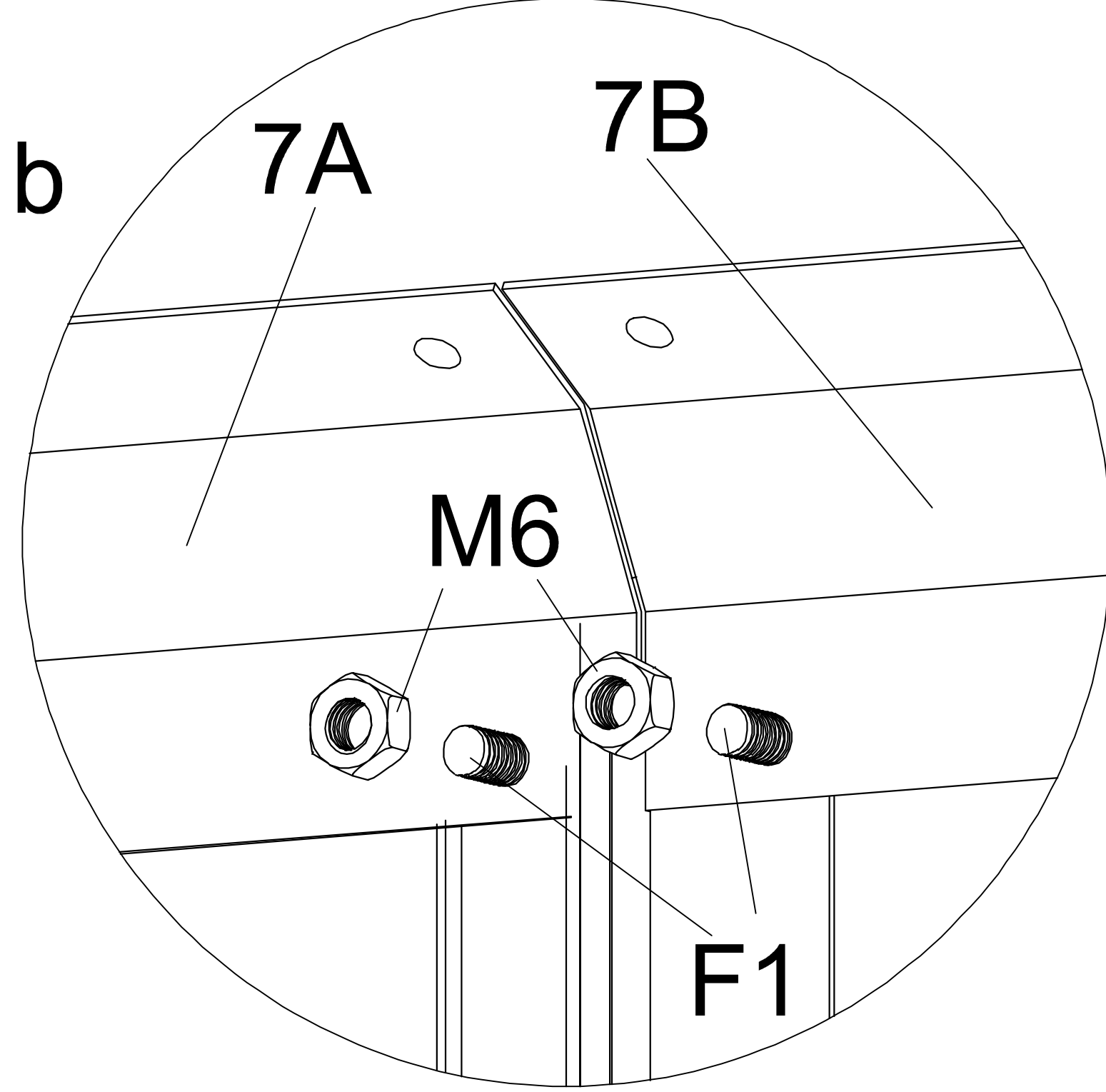
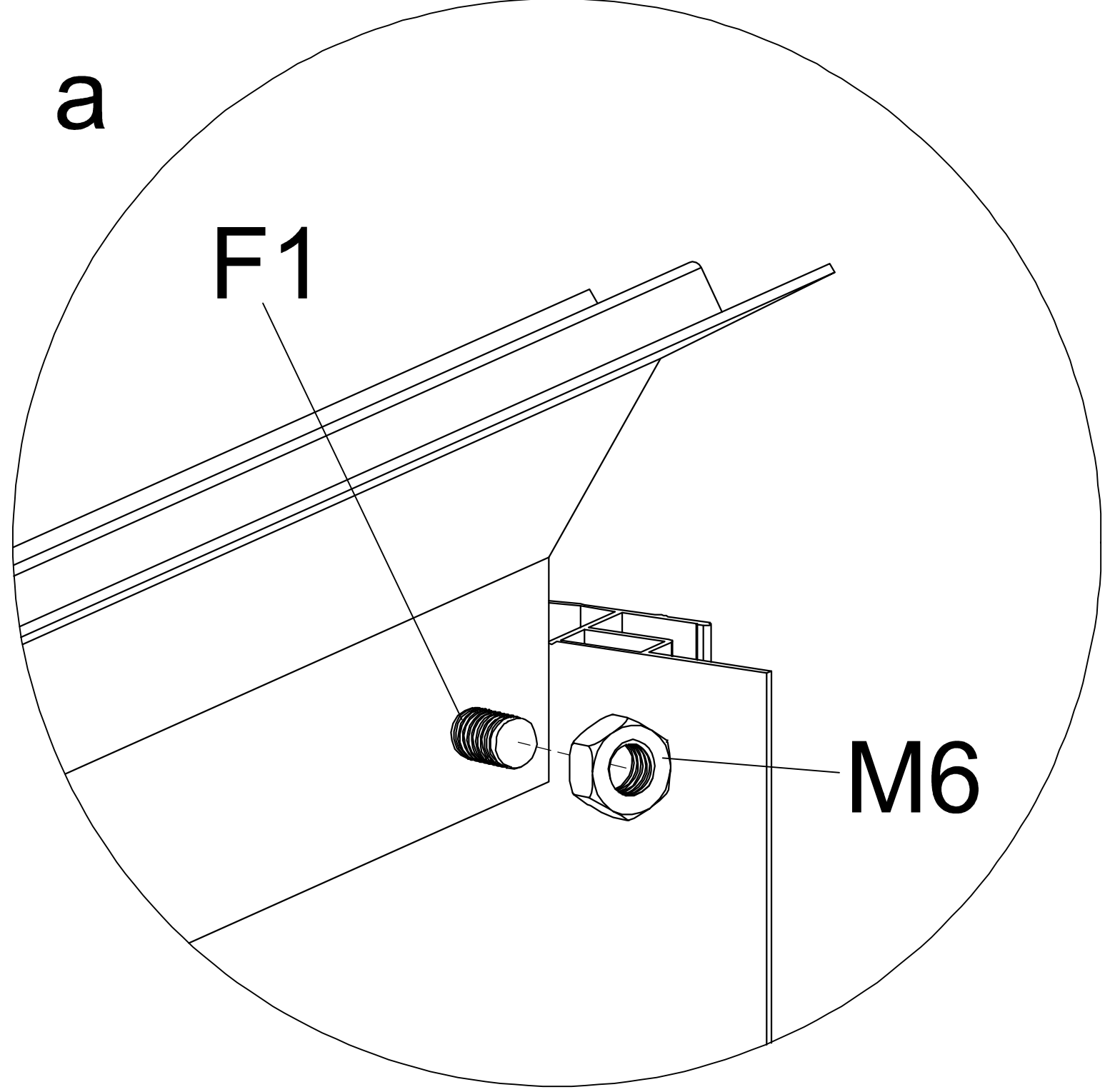
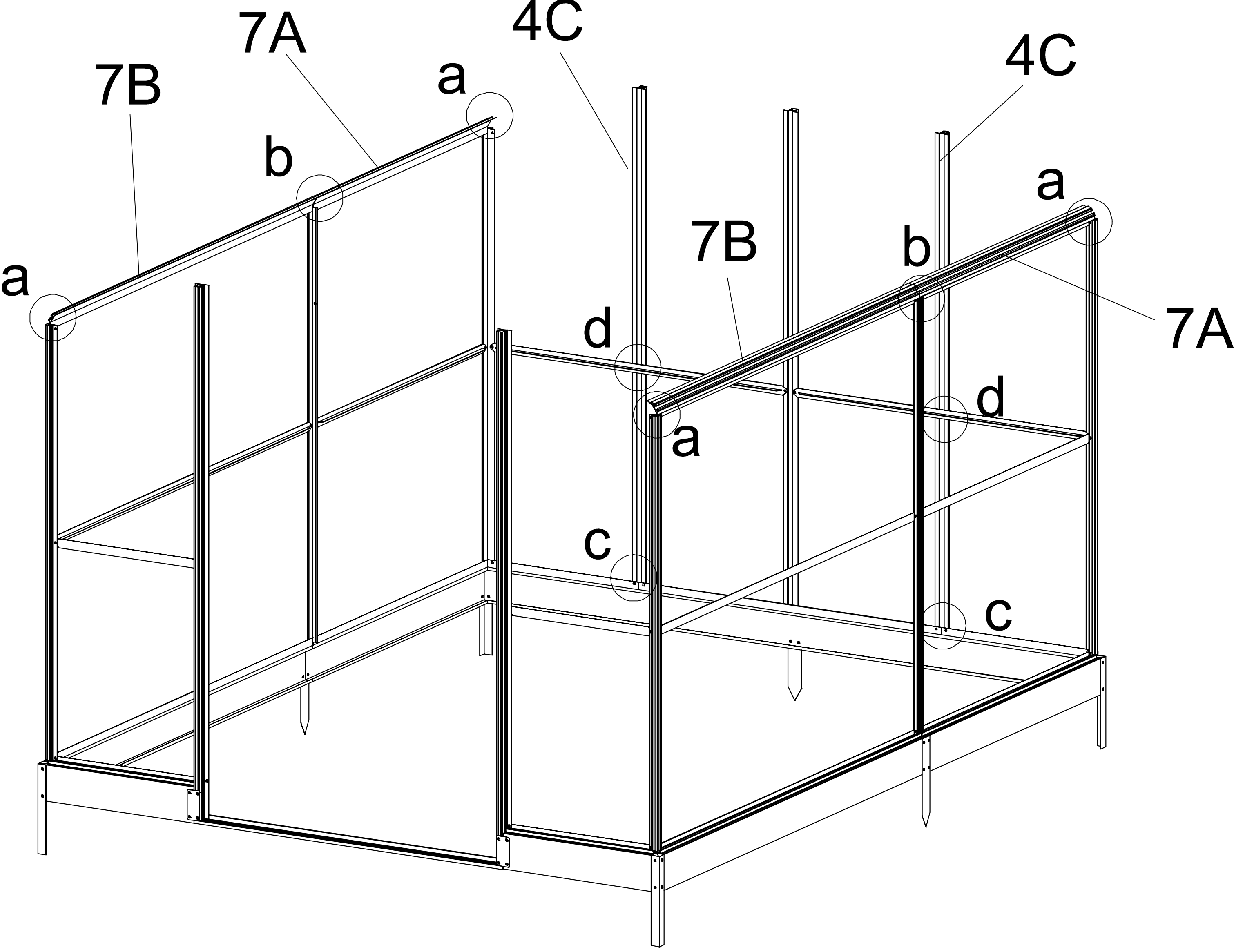
# Wall Assembly

PART	NO	QTY
	2C	1
	5D	2
	4A	1
	4B	1
	B8	2
	F1 M6X12	12
	M6 M6	12
	F2 M5X12	4

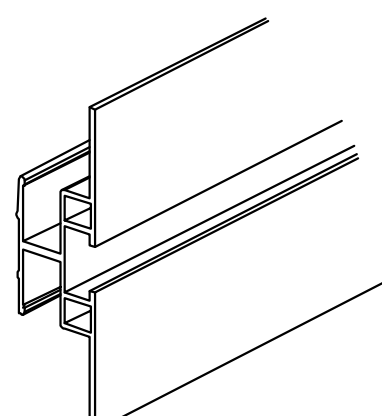
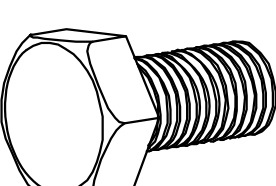
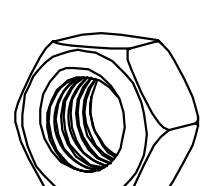


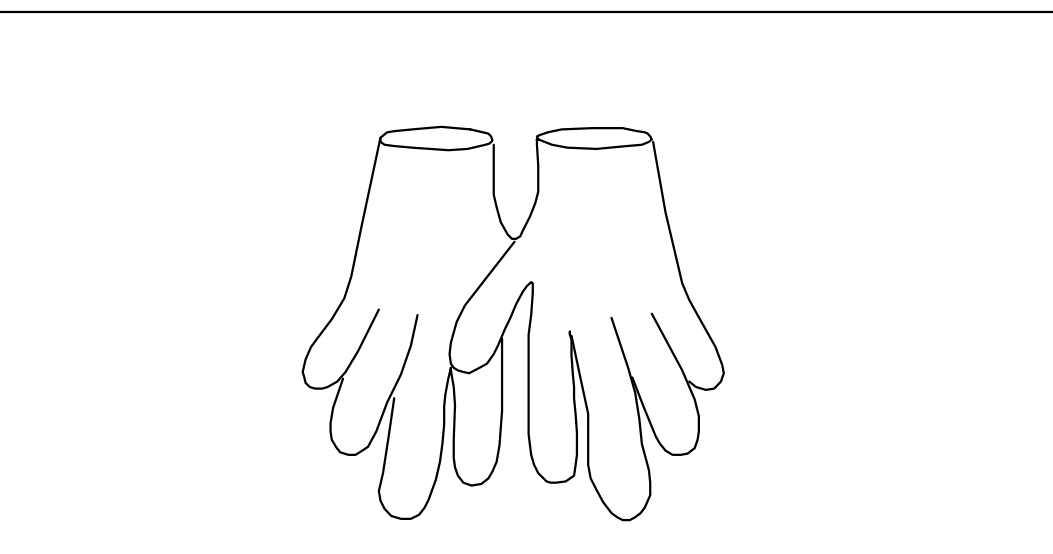
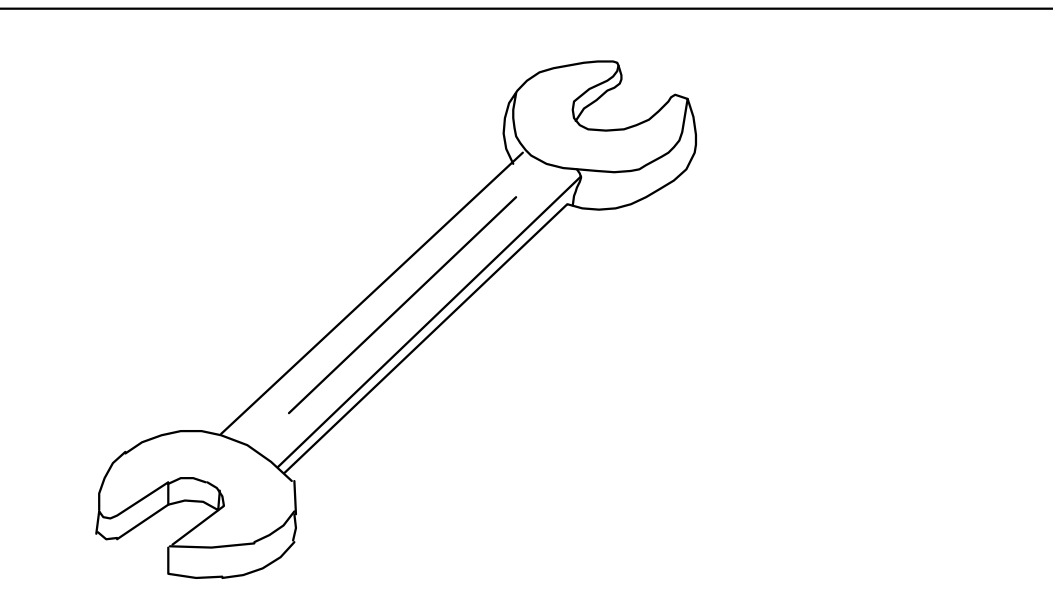
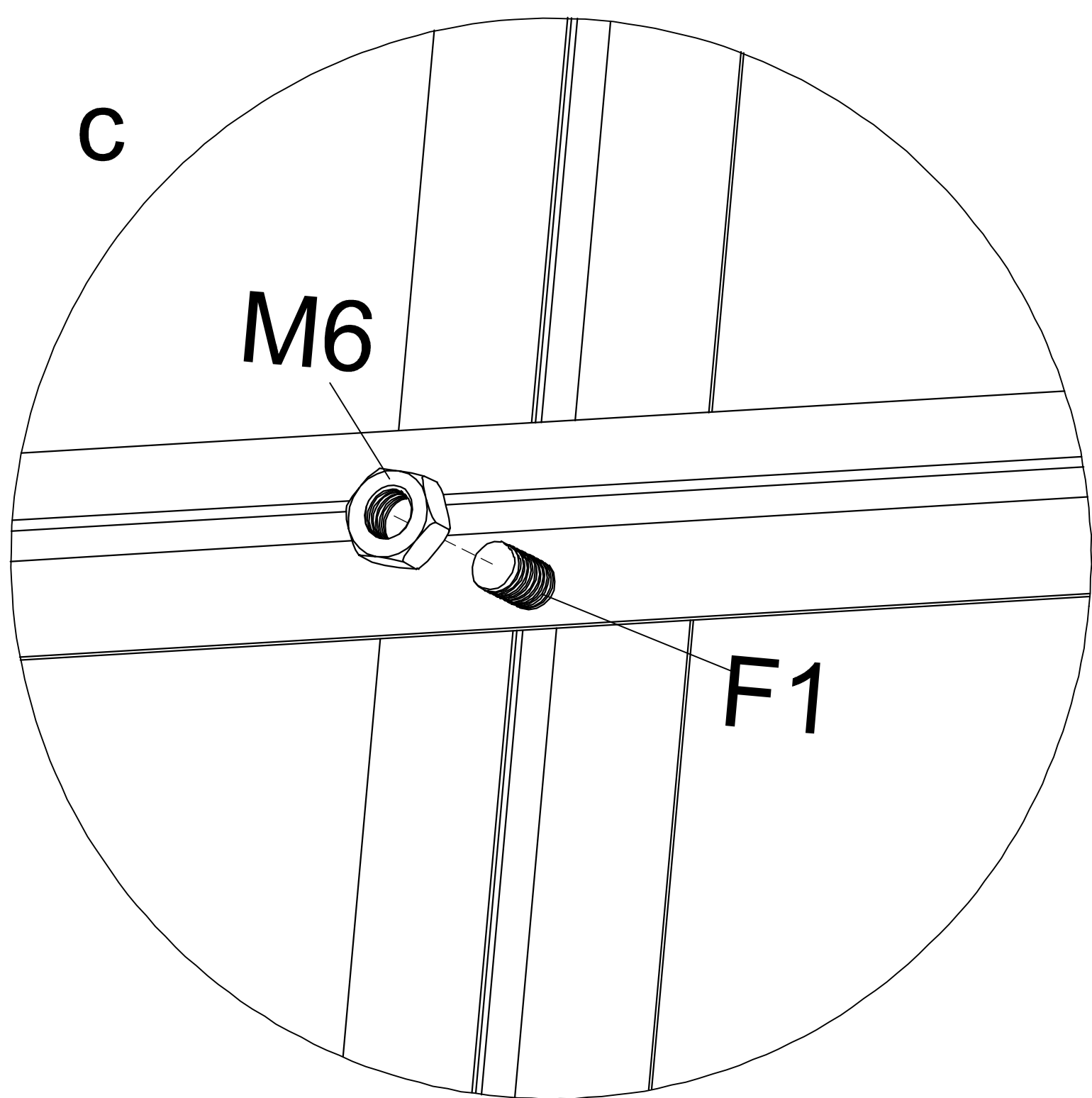
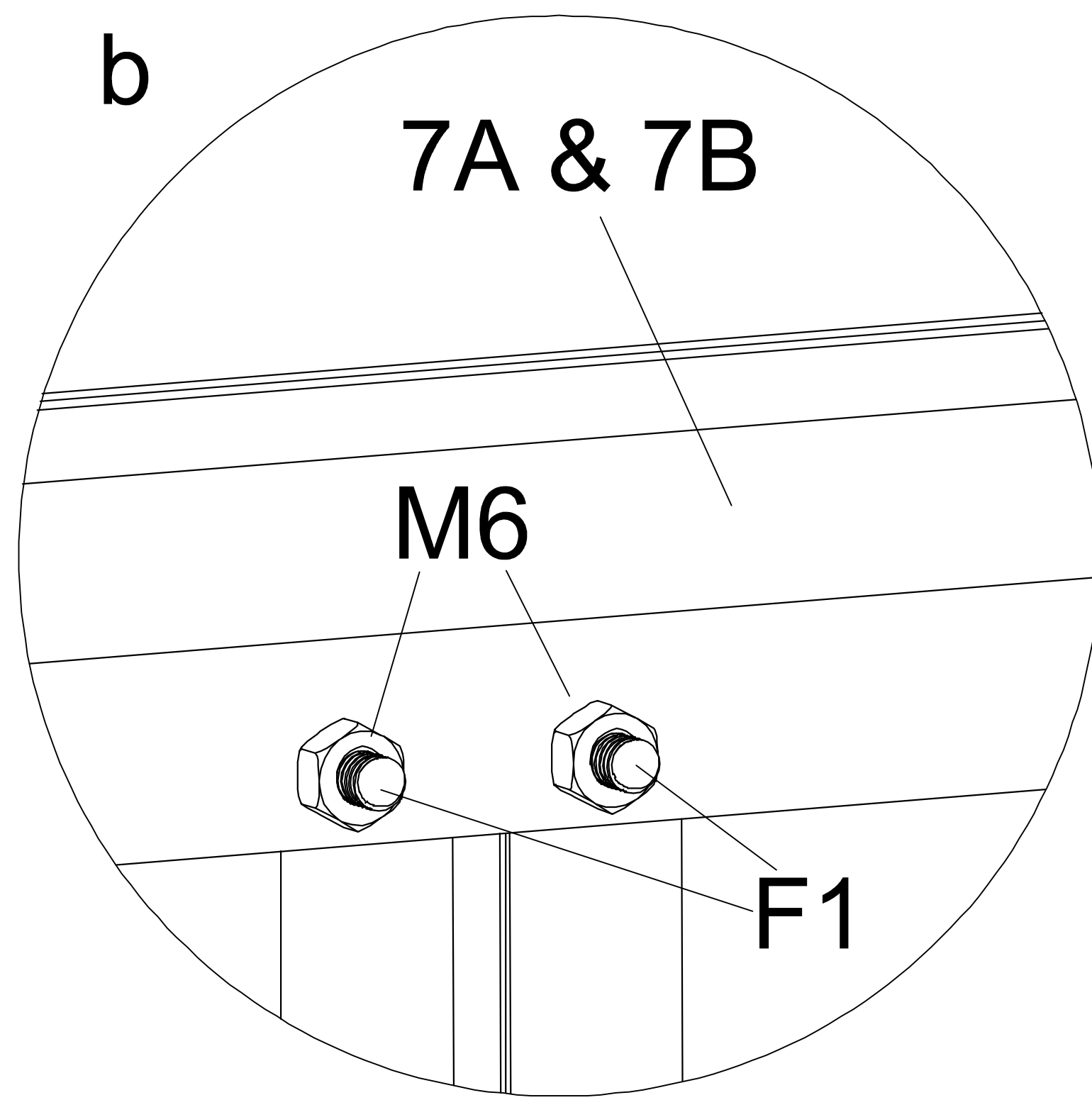
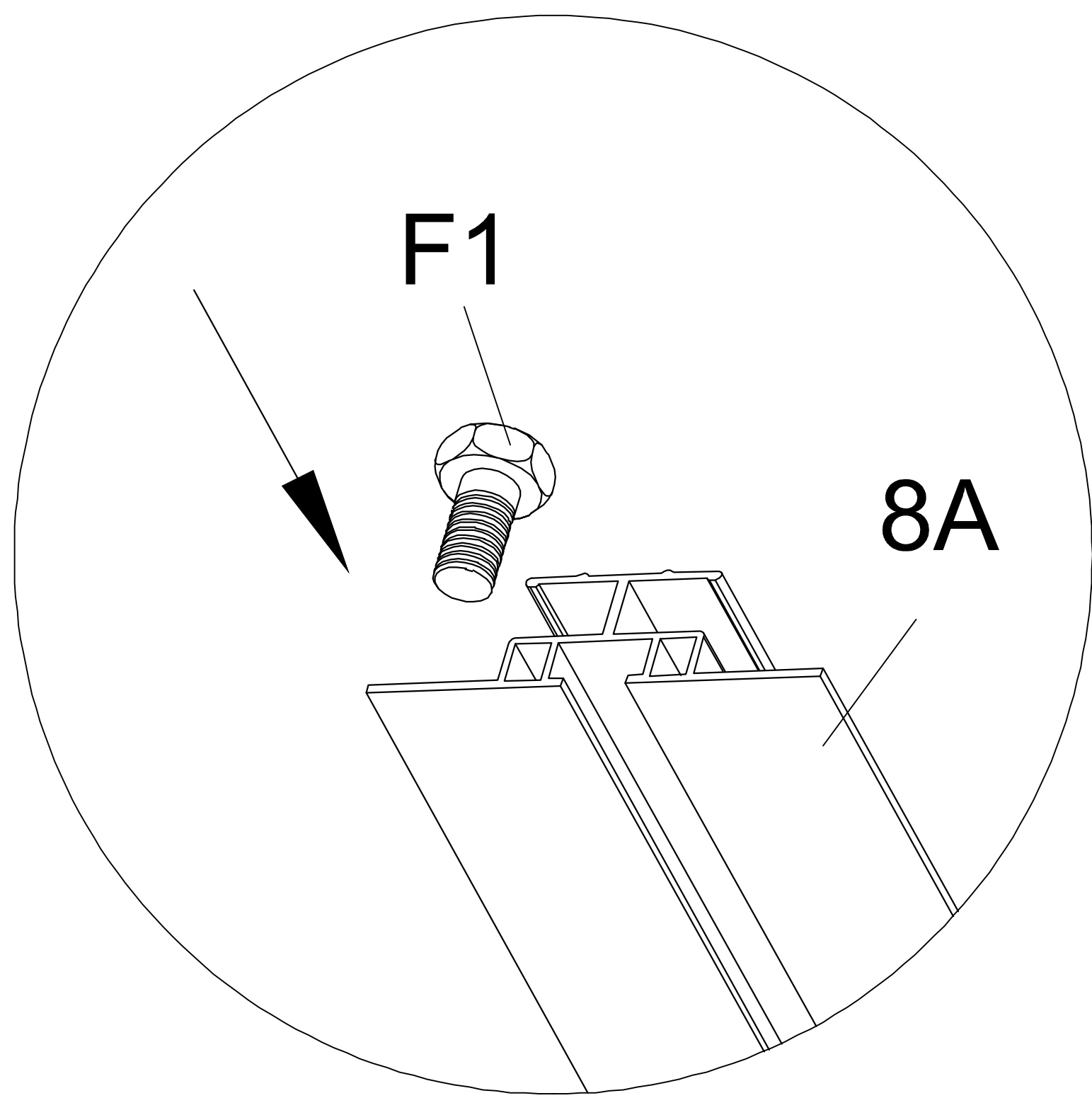
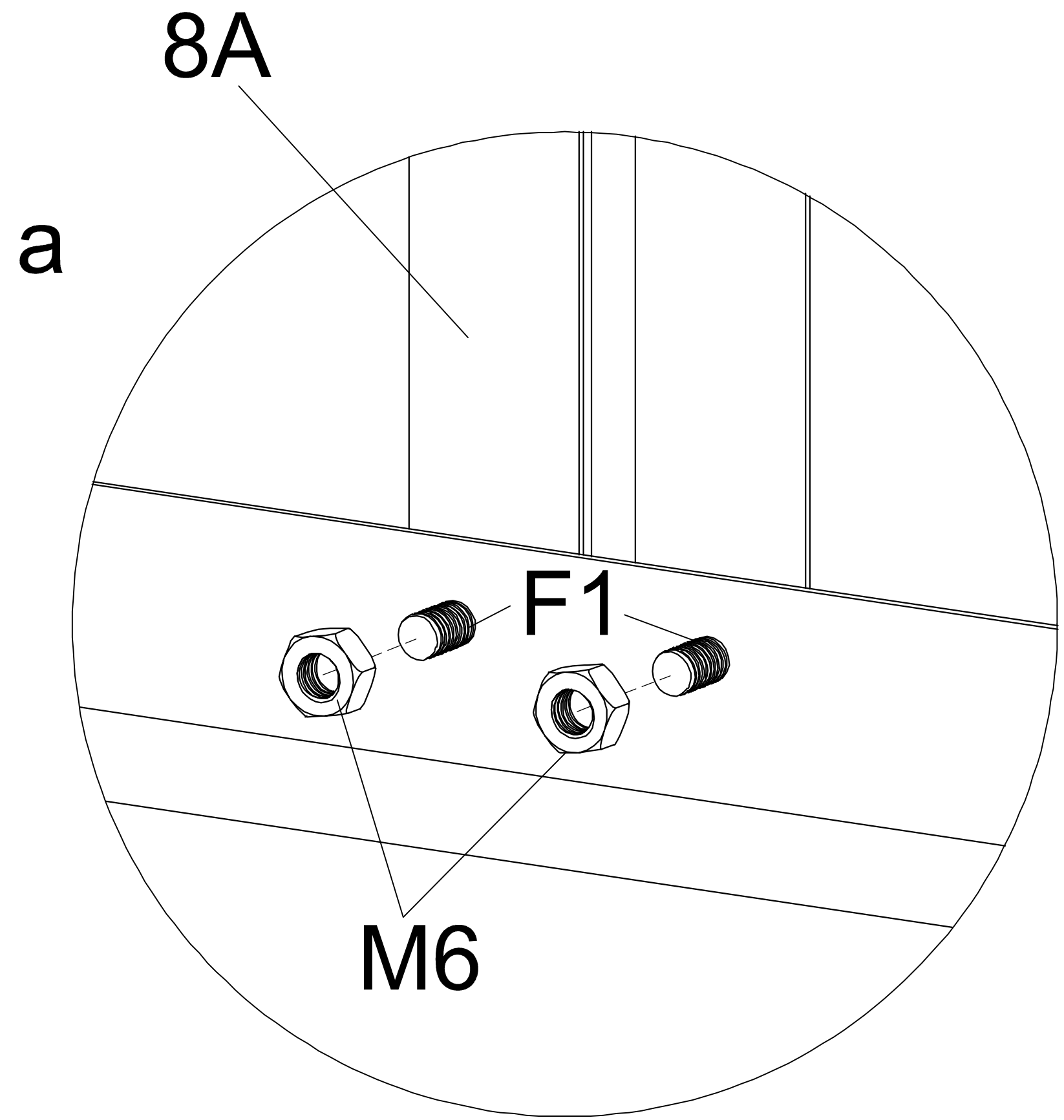
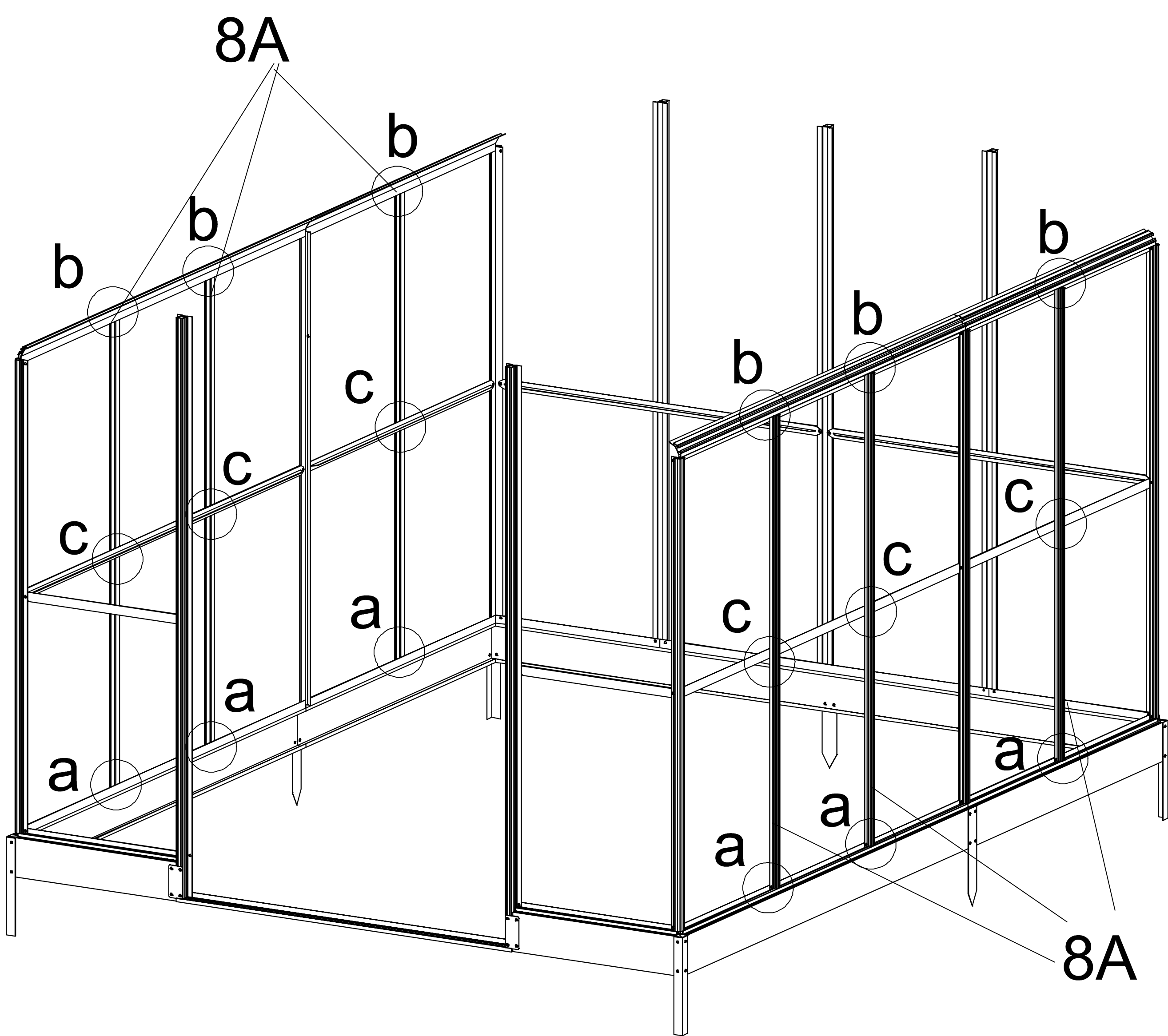
# Wall Assembly

PART	NO	QTY
	7A	2
	7B	2
	4C	2
	F1 M6X12	20
	M6 M6	20



# Wall Assembly

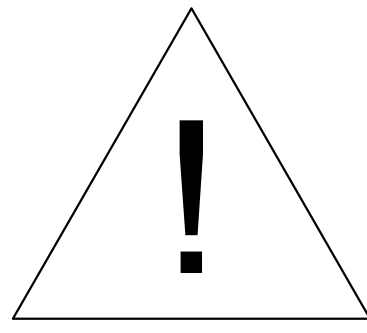
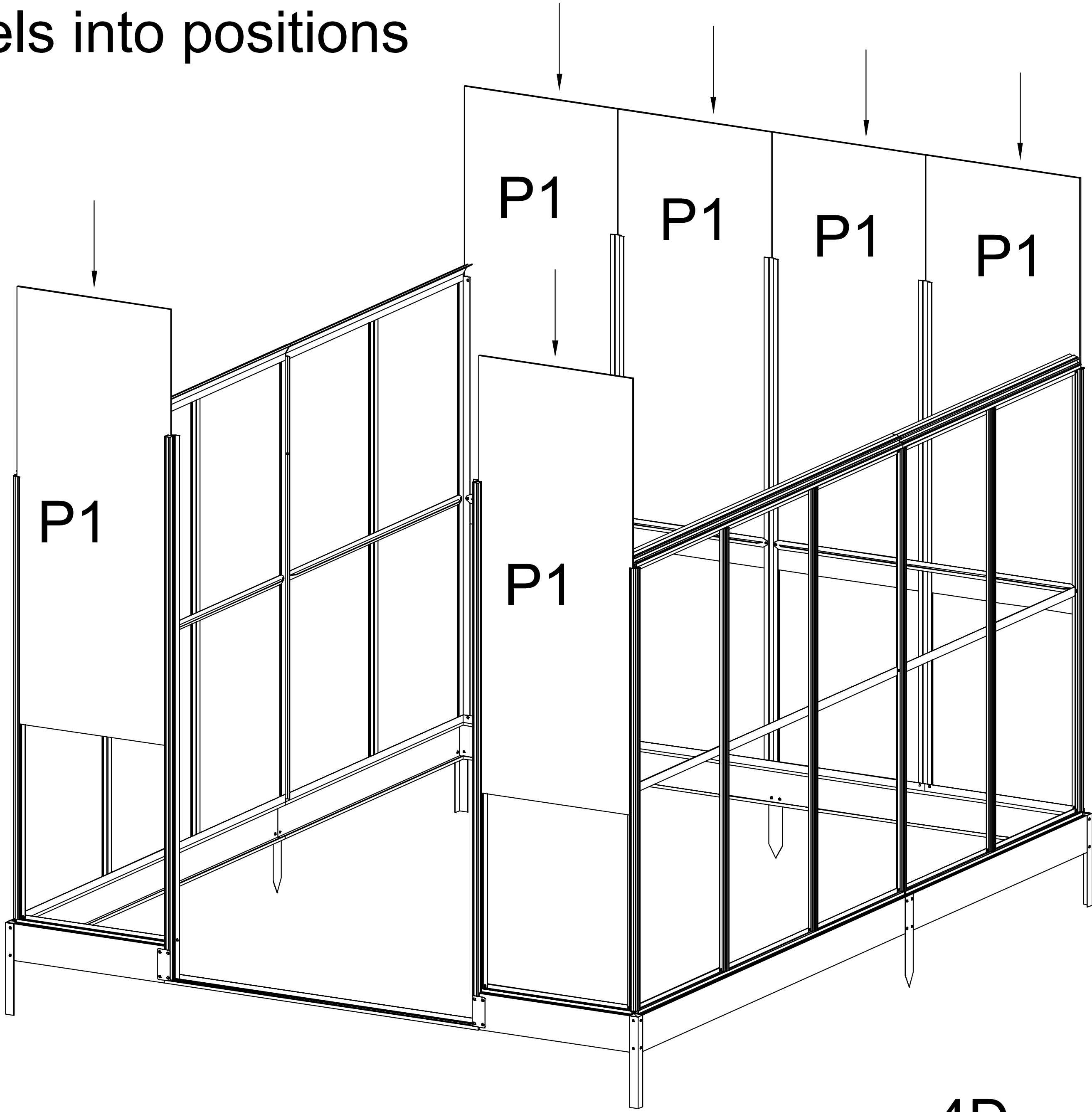
PART	NO	QTY
	8A	6
	F1 M6X12	30
	M6 M6	30



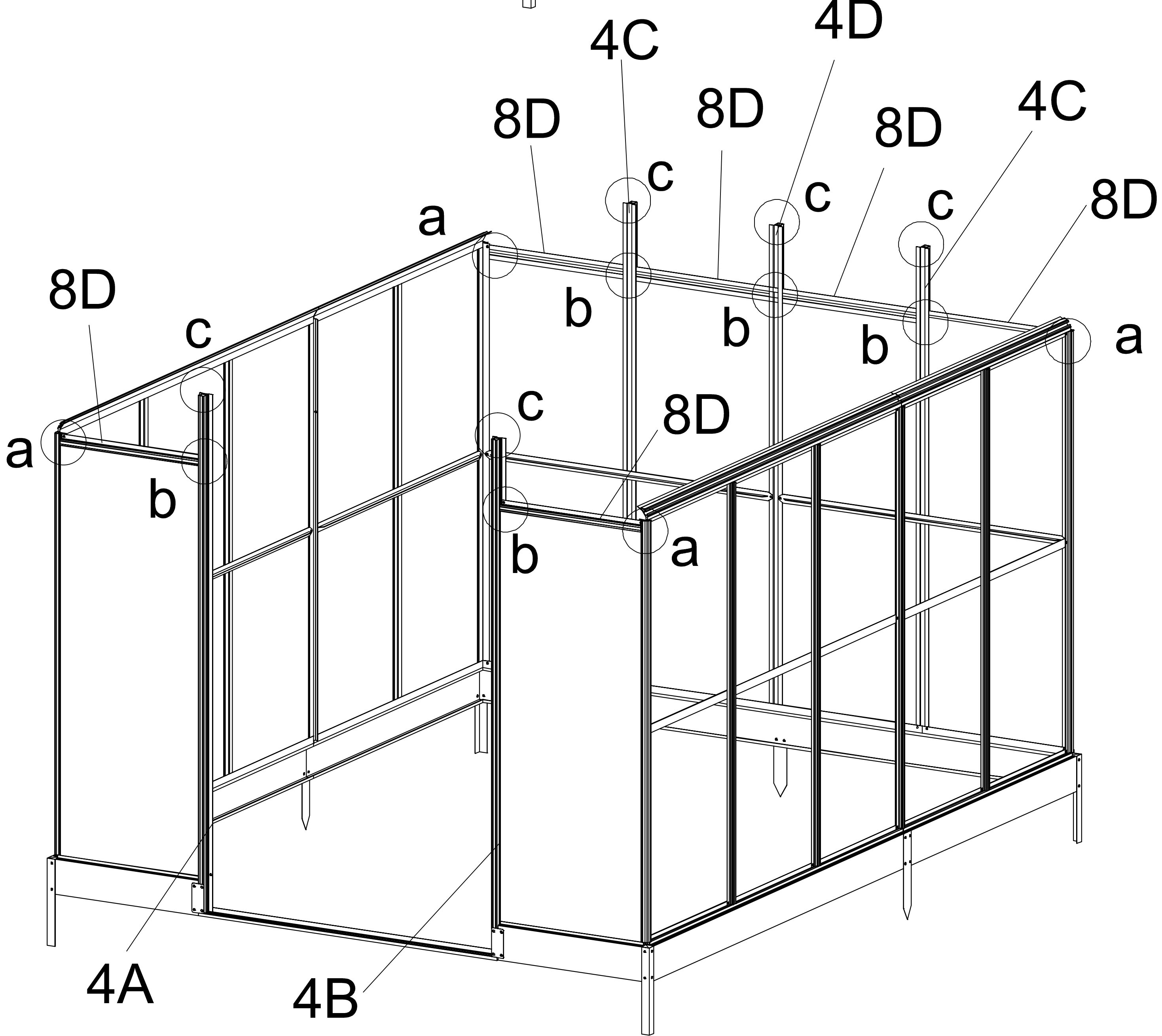
# Wall Assembly

PART	NO	QTY
	8D	6
	P1	6
	F1	22
	M6X12	
	M6	22
	M6	

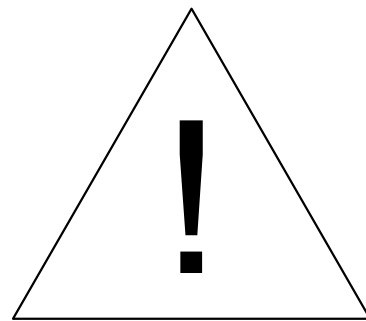
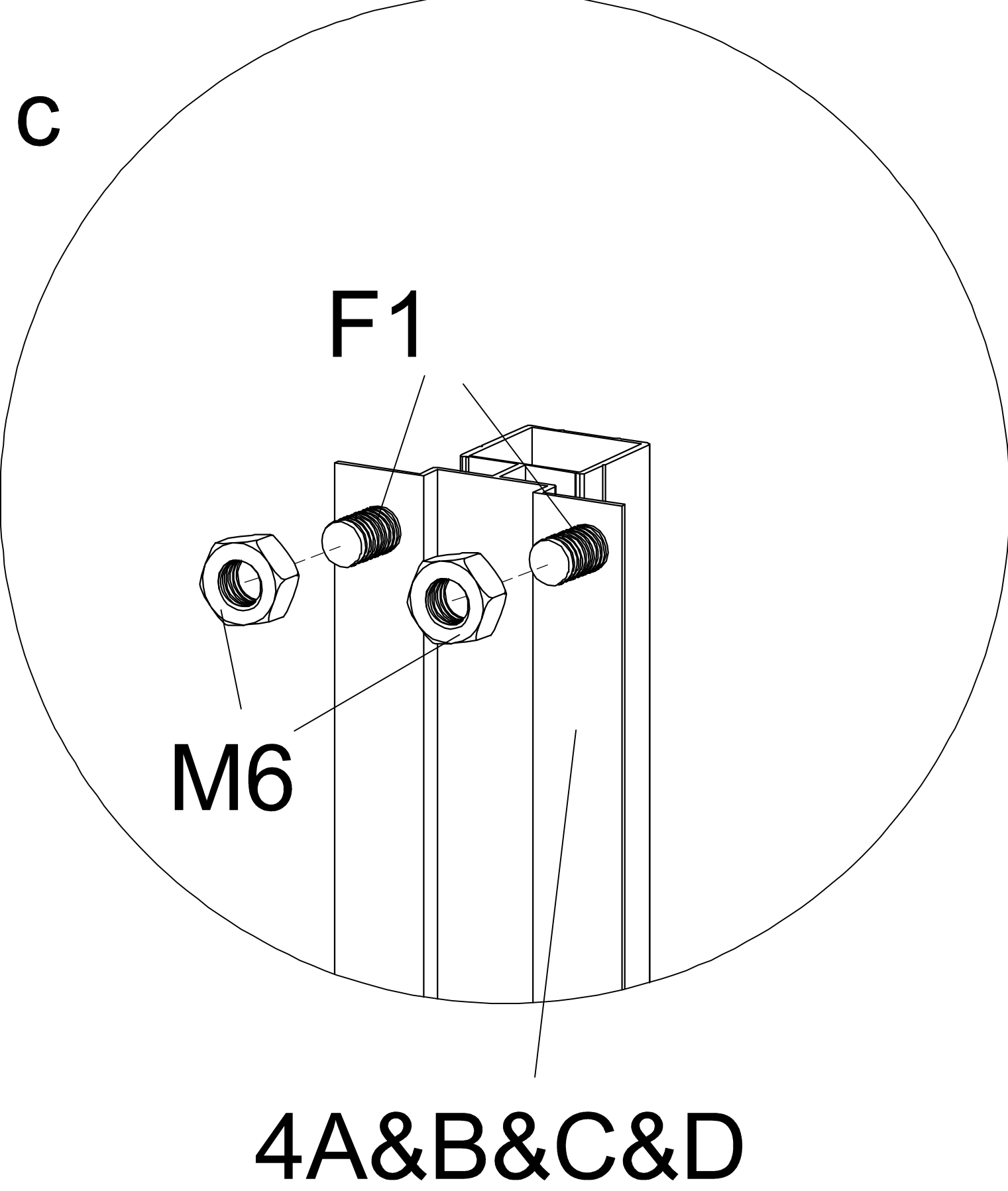
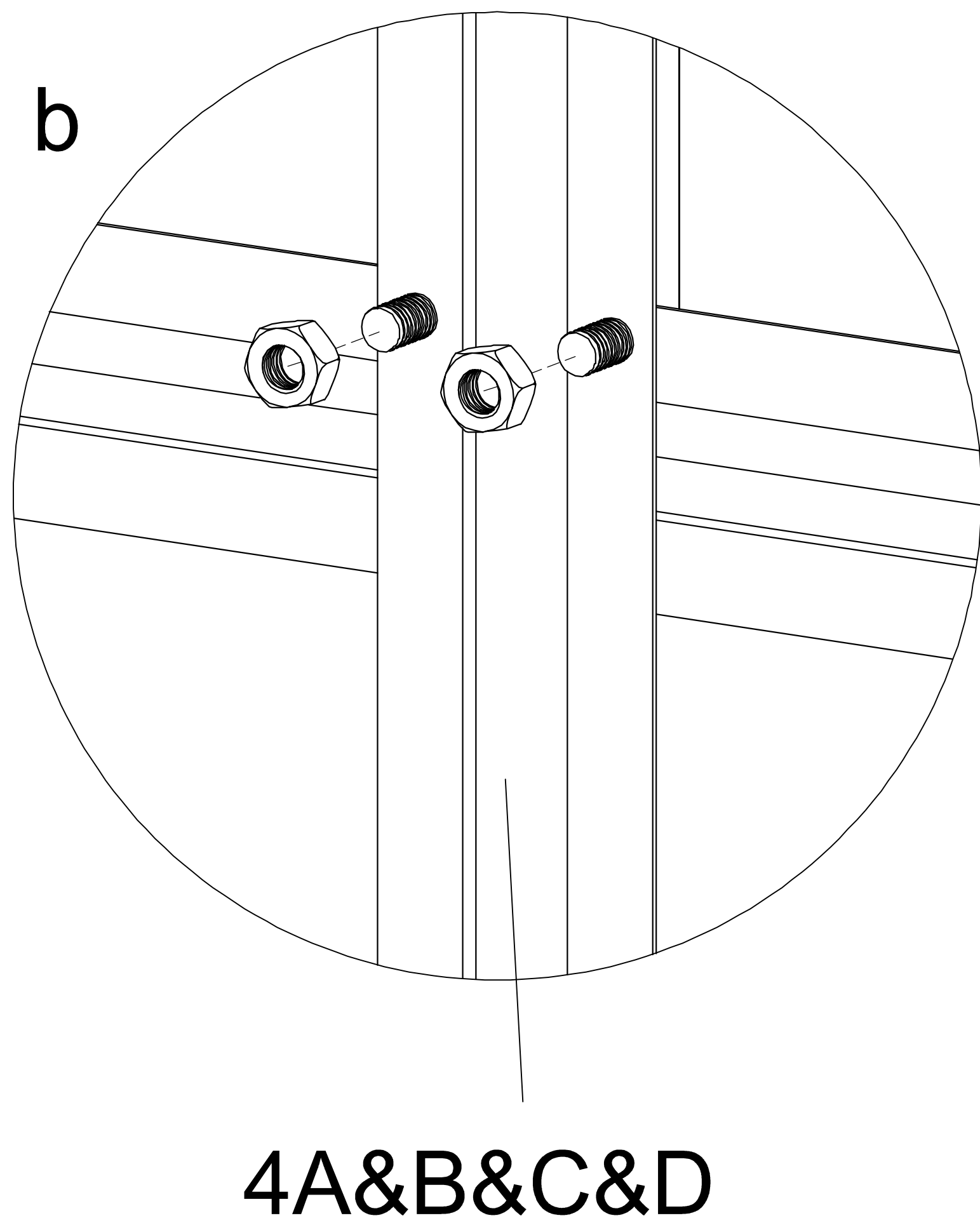
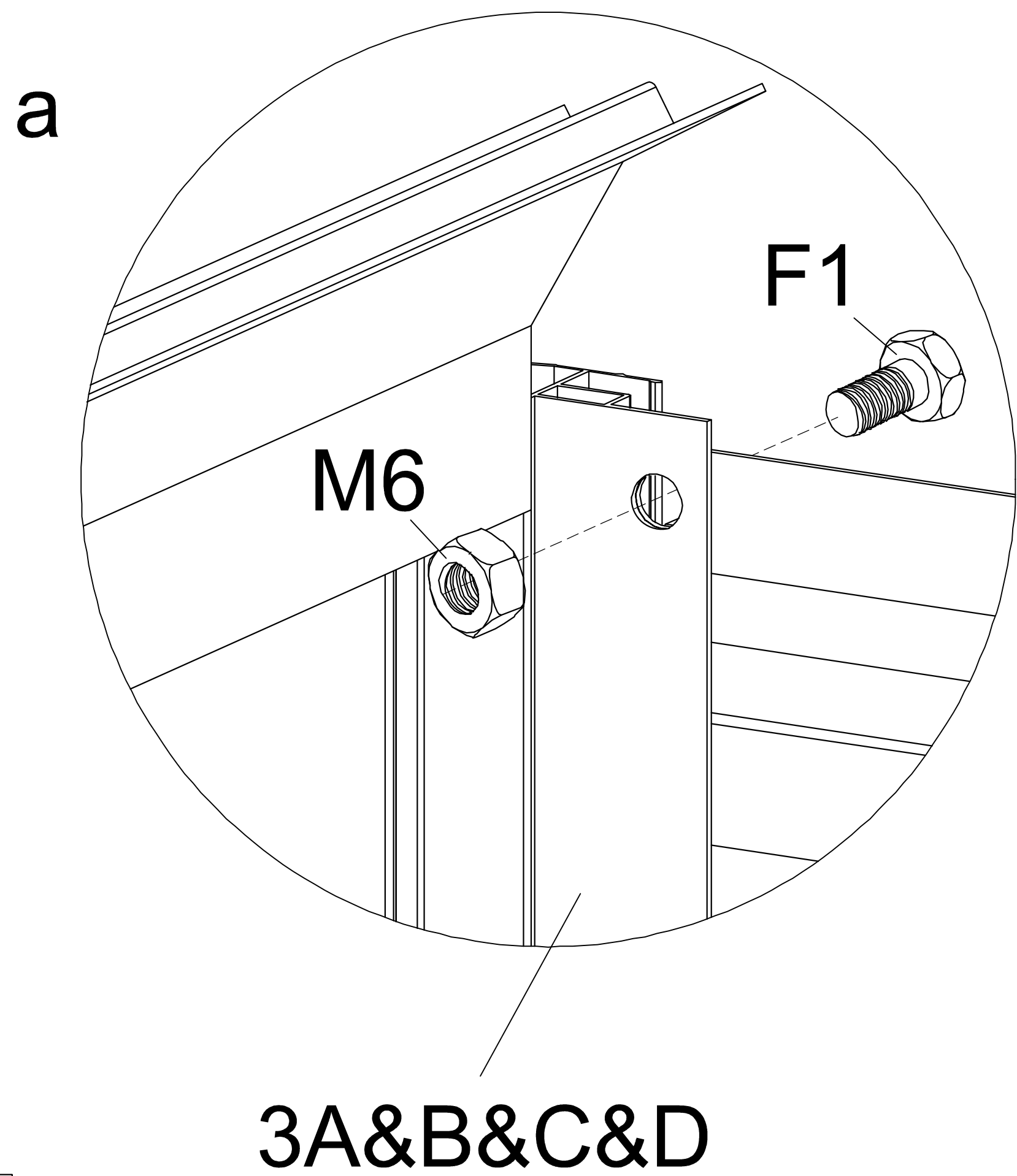
Put the panels into positions



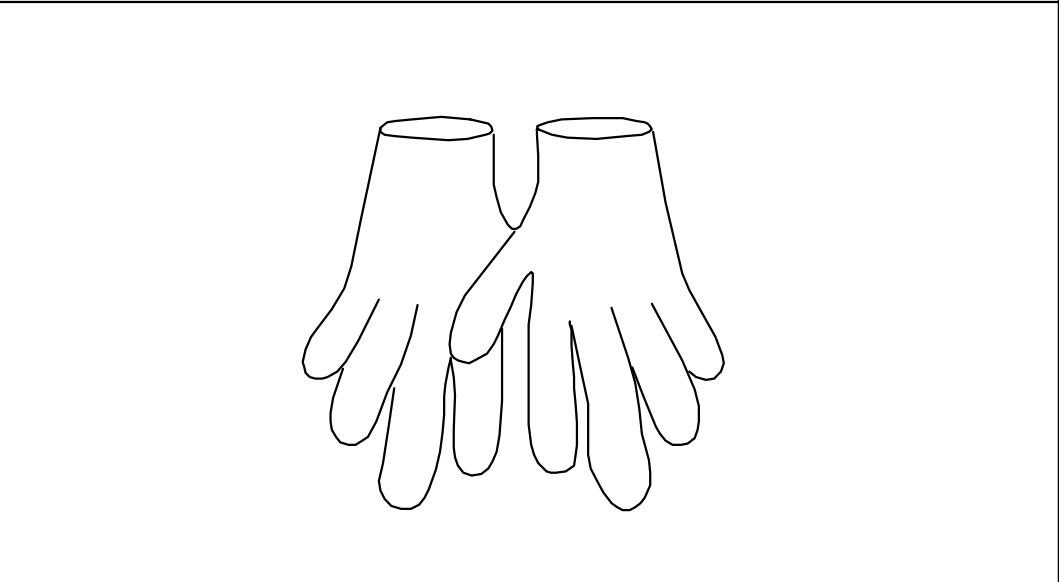
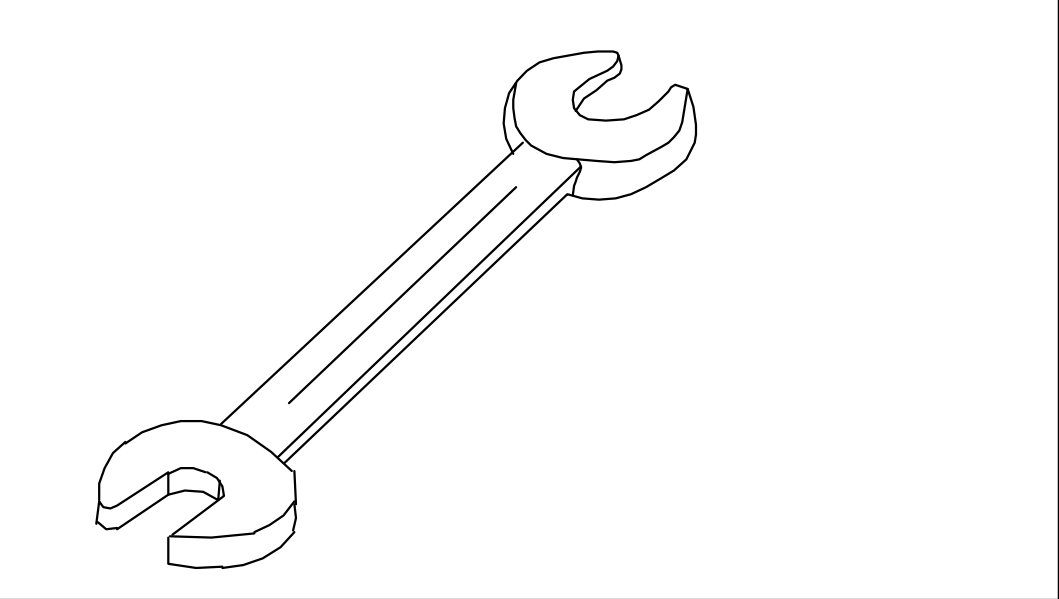
**! Attention:** Remove the protective films from both sides of each polycarbonate panel, before inserting into aluminum channels. Ensure the milky white film faces towards the Sun.



使用螺丝F1&M6如图a&b安装8D.



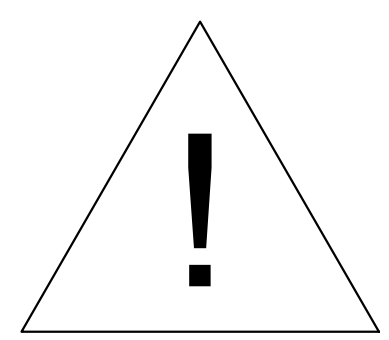
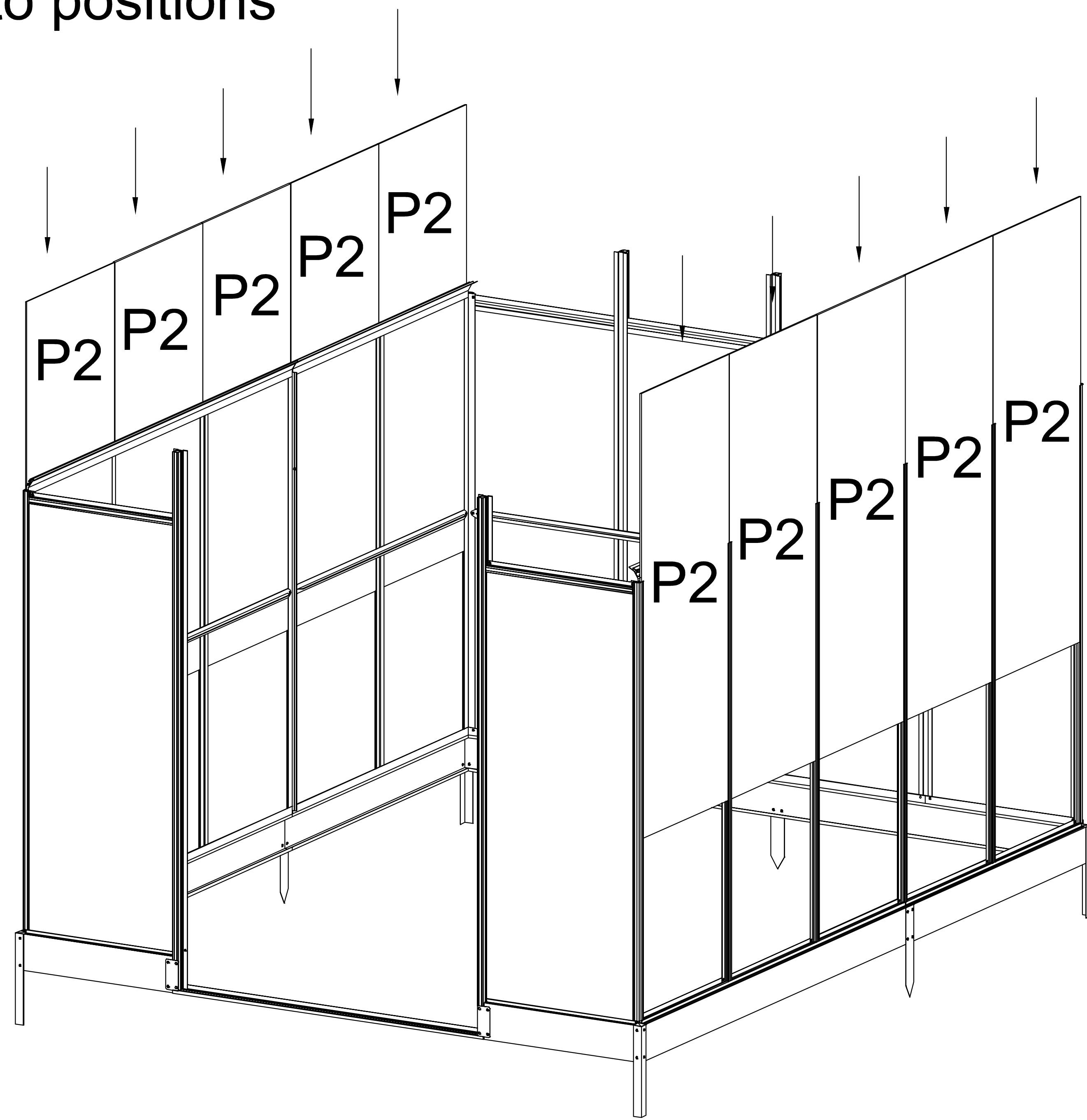
**! Attention:** Please pre-load F1 & M6 on 4A,4B,4C,4D before putting panels P3,P4,P5 into position.



# Wall Assembly

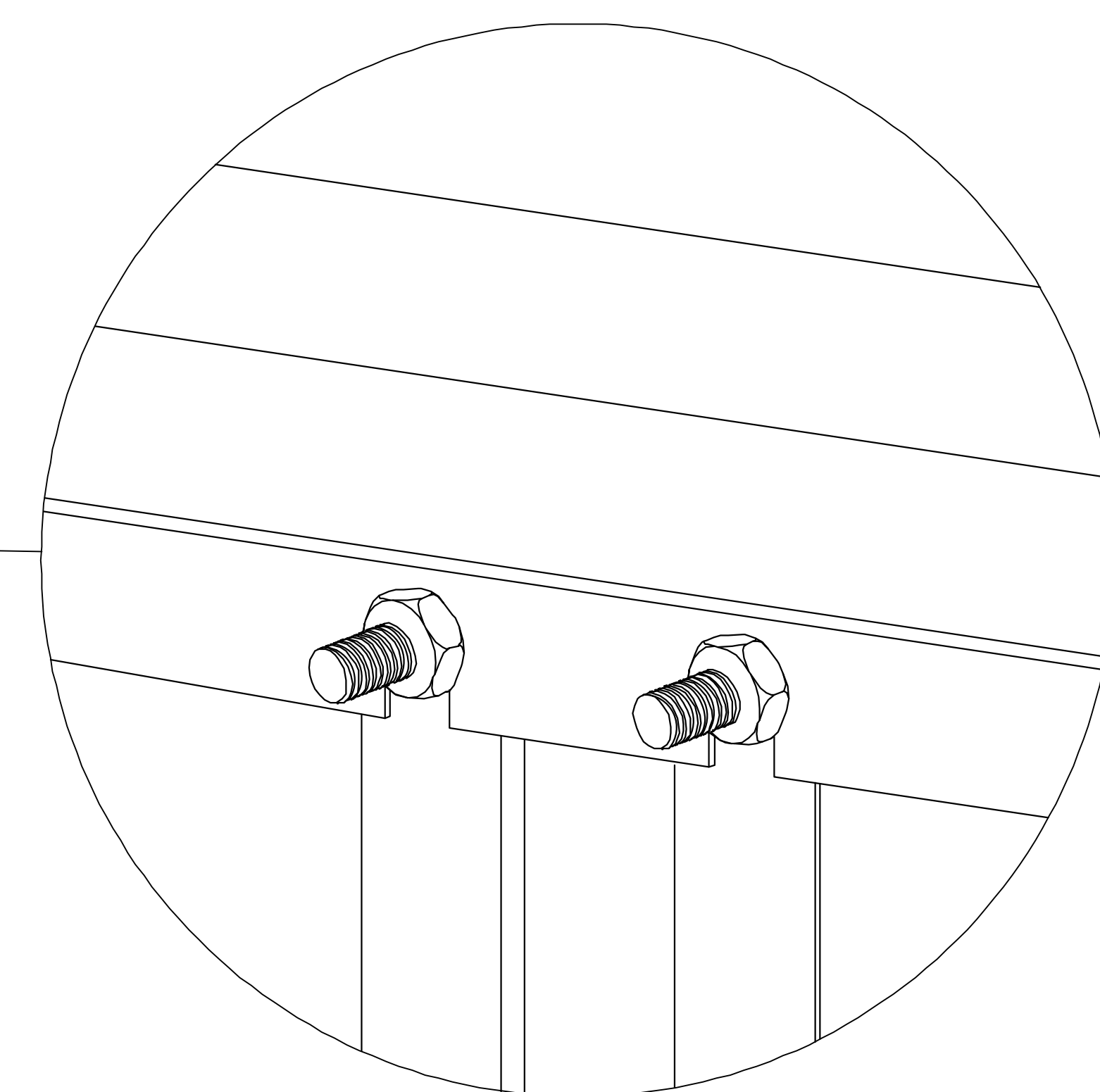
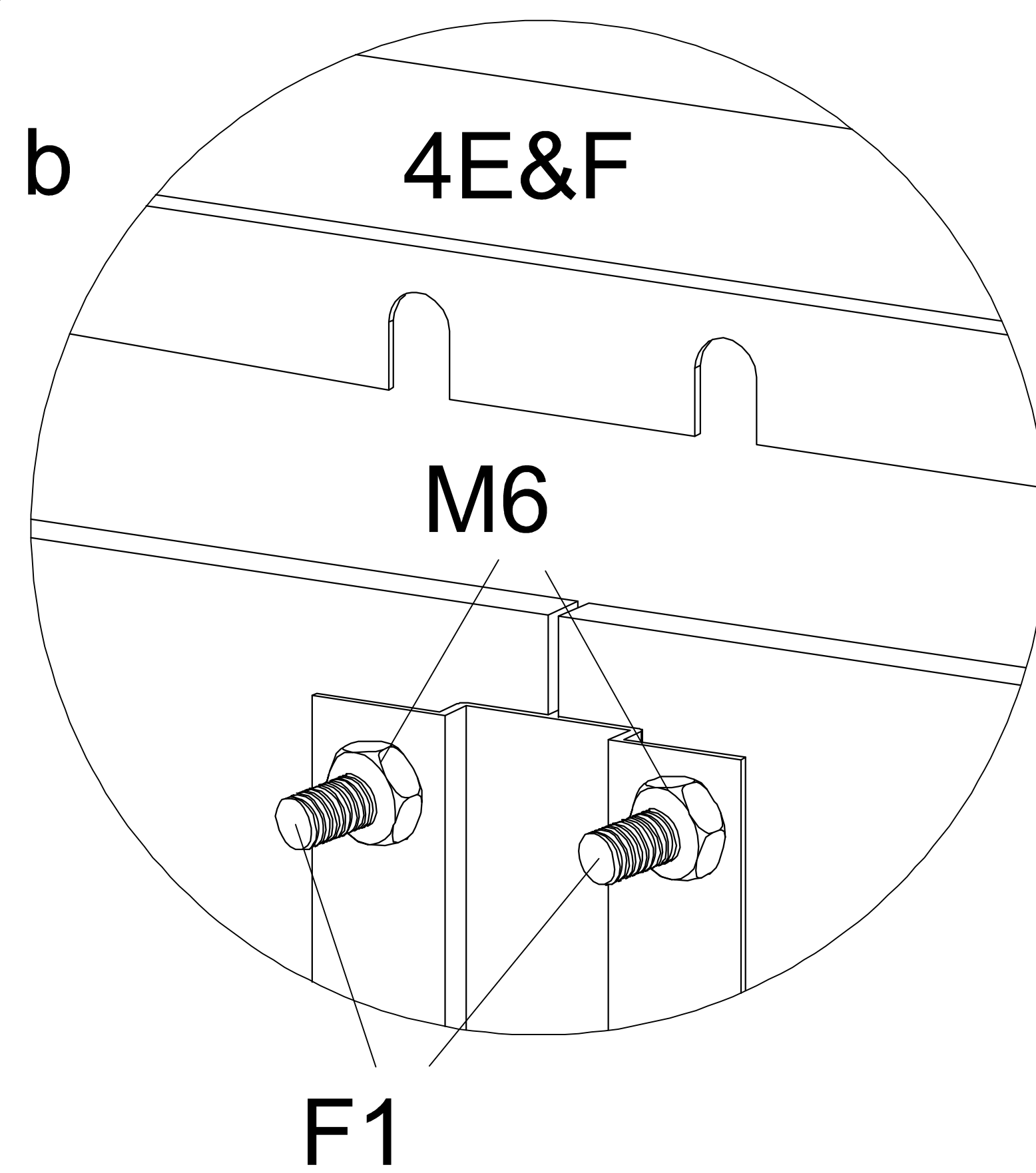
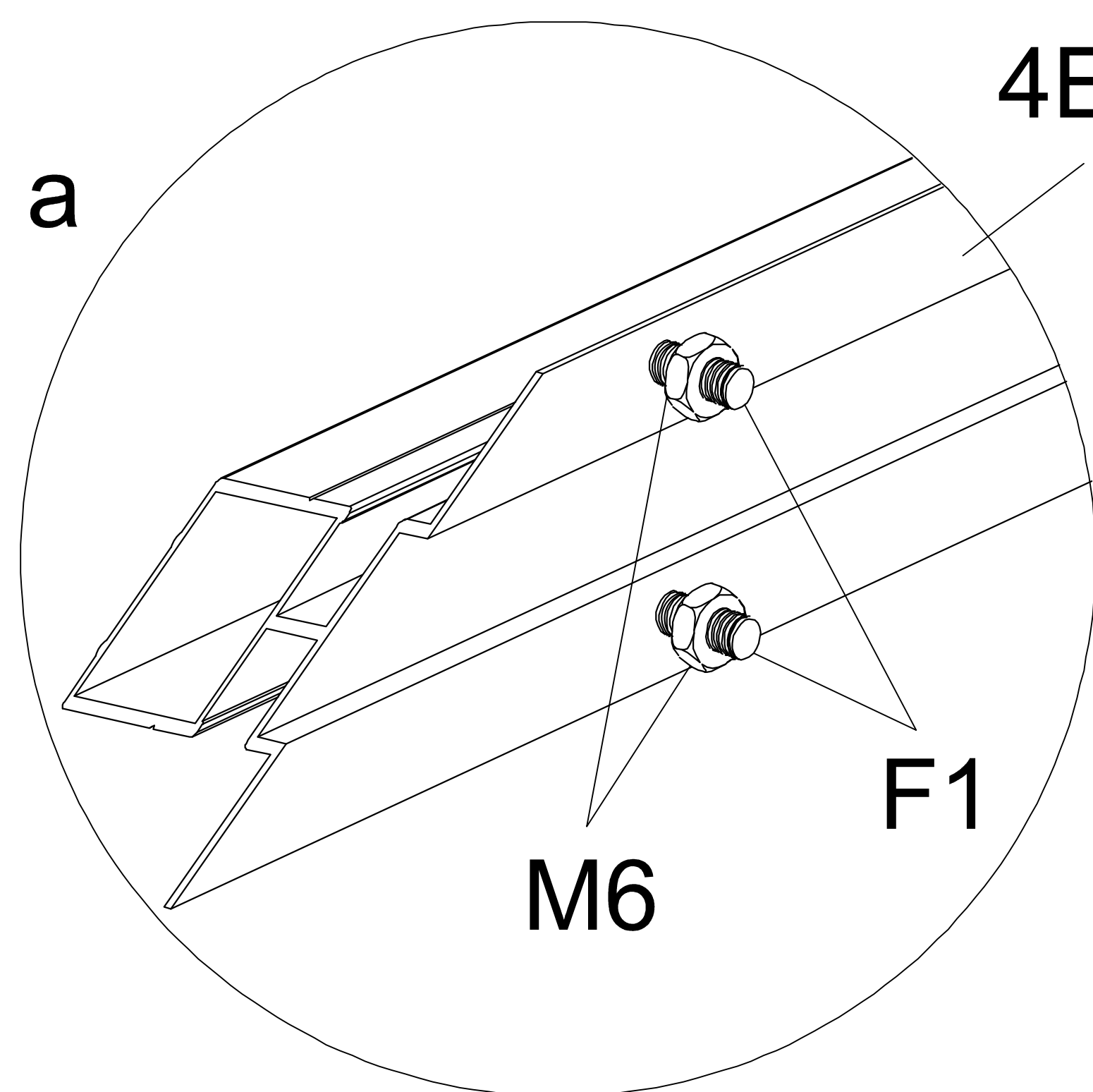
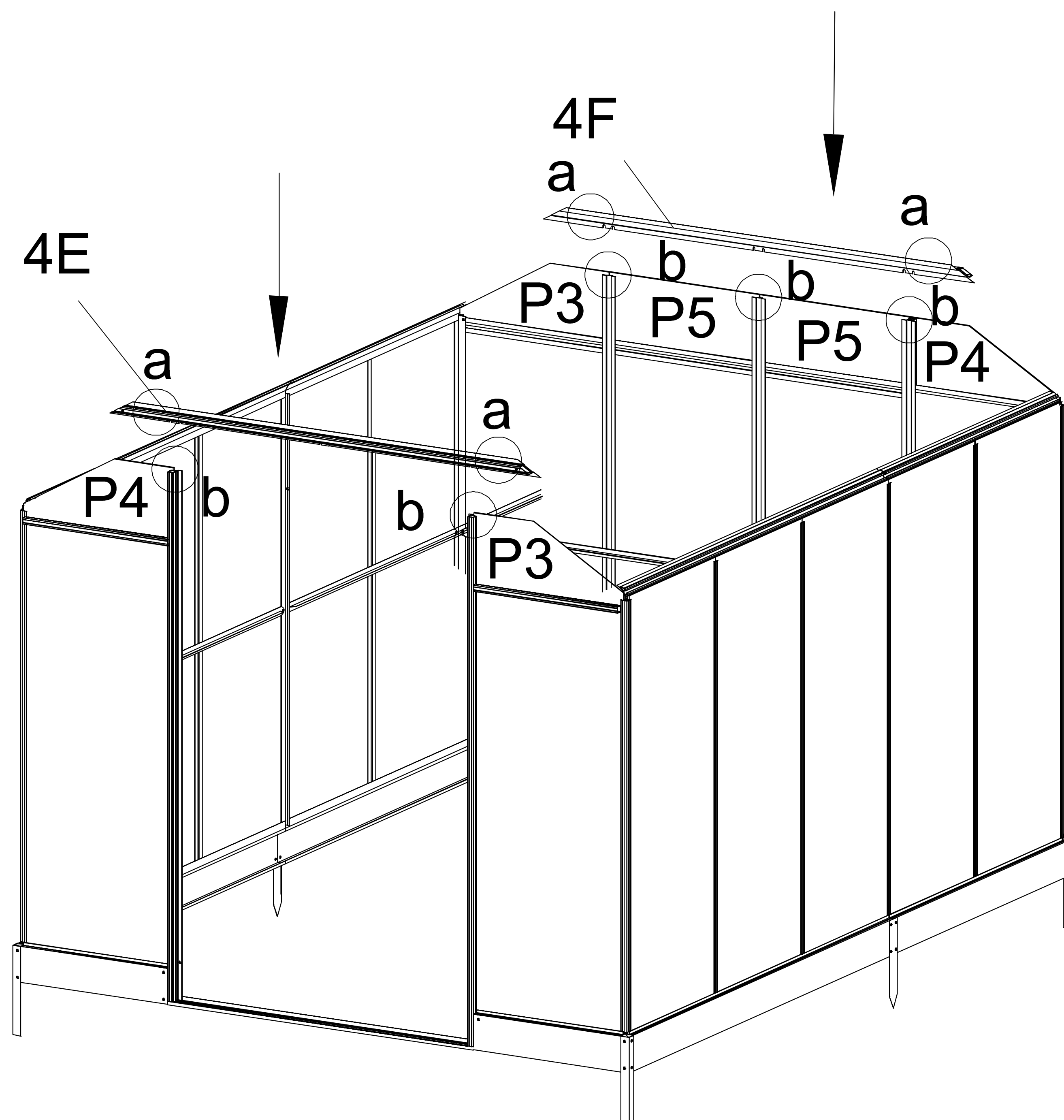
Put the panels into positions

PART	NO	QTY
	4E	1
	4F	1
	P3	2
	P4	2
	P2	10
	P5	2
	F1	8
	M6X12	
	M6	8
	M6	

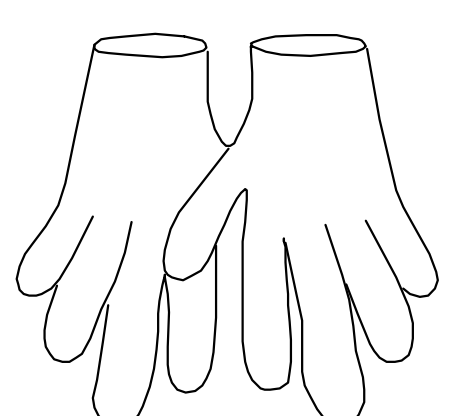
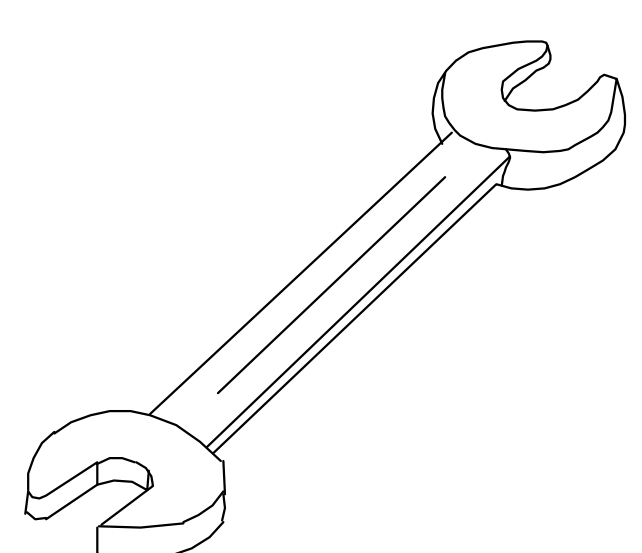


**! Attention:** Remove the protective films from both sides of each polycarbonate panel, before inserting into aluminum channels. Ensure the milky white film faces towards the Sun.

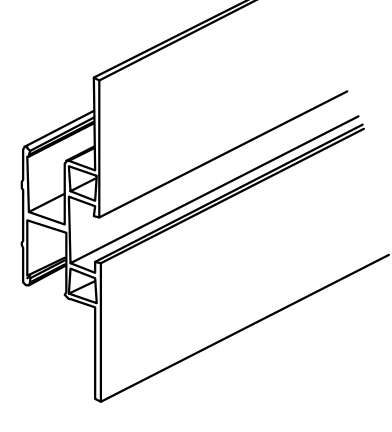
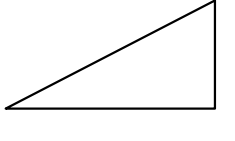
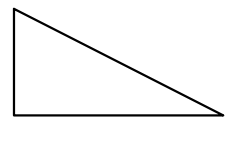
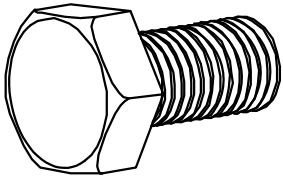
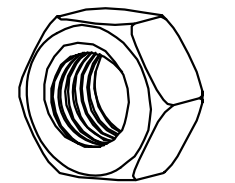
**! Attention:** Please pre-load F1 & M6 on 4E & 4F before putting panels P3, P4, P5 into position.

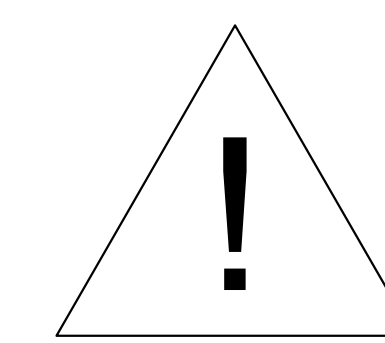
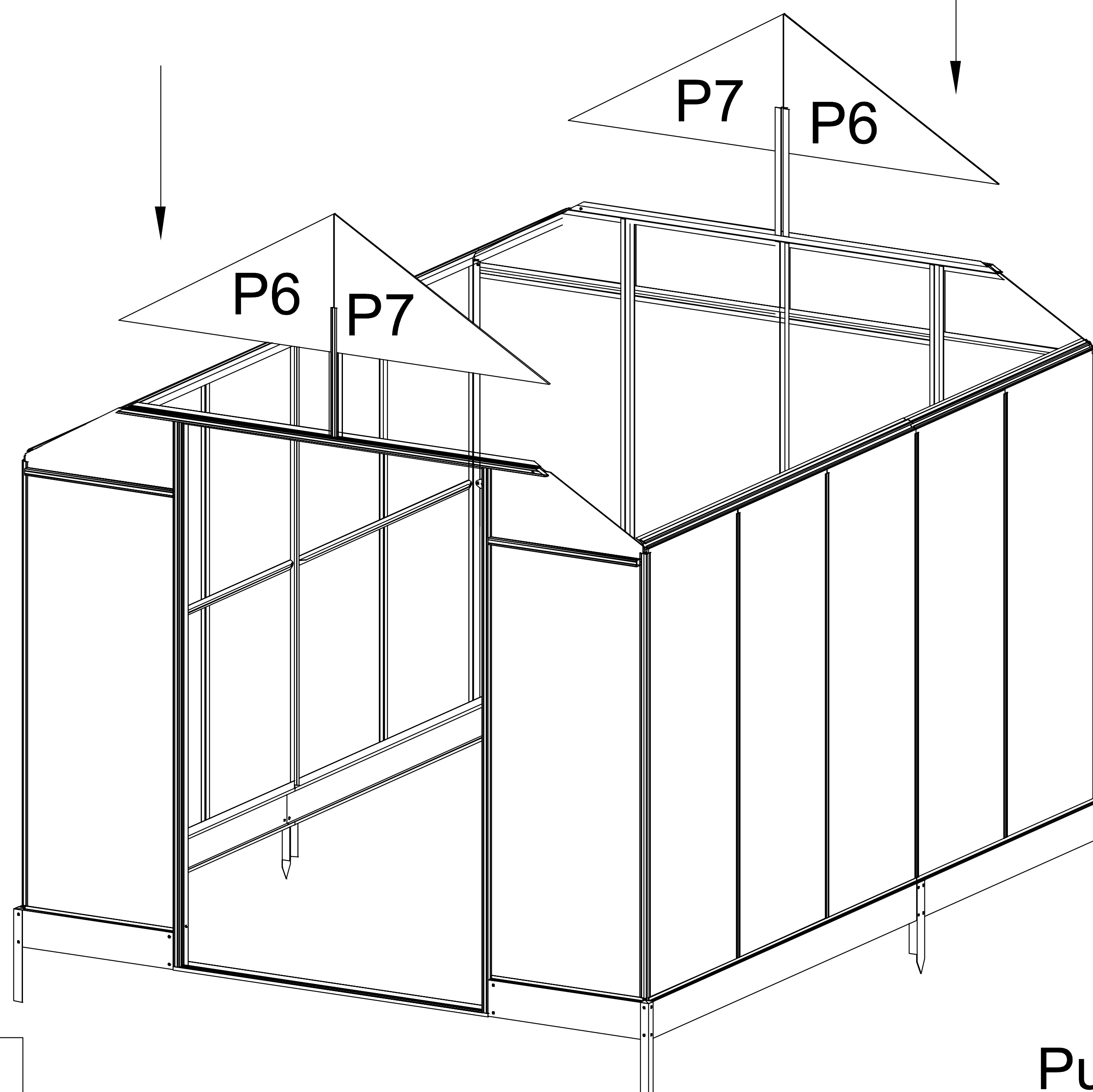
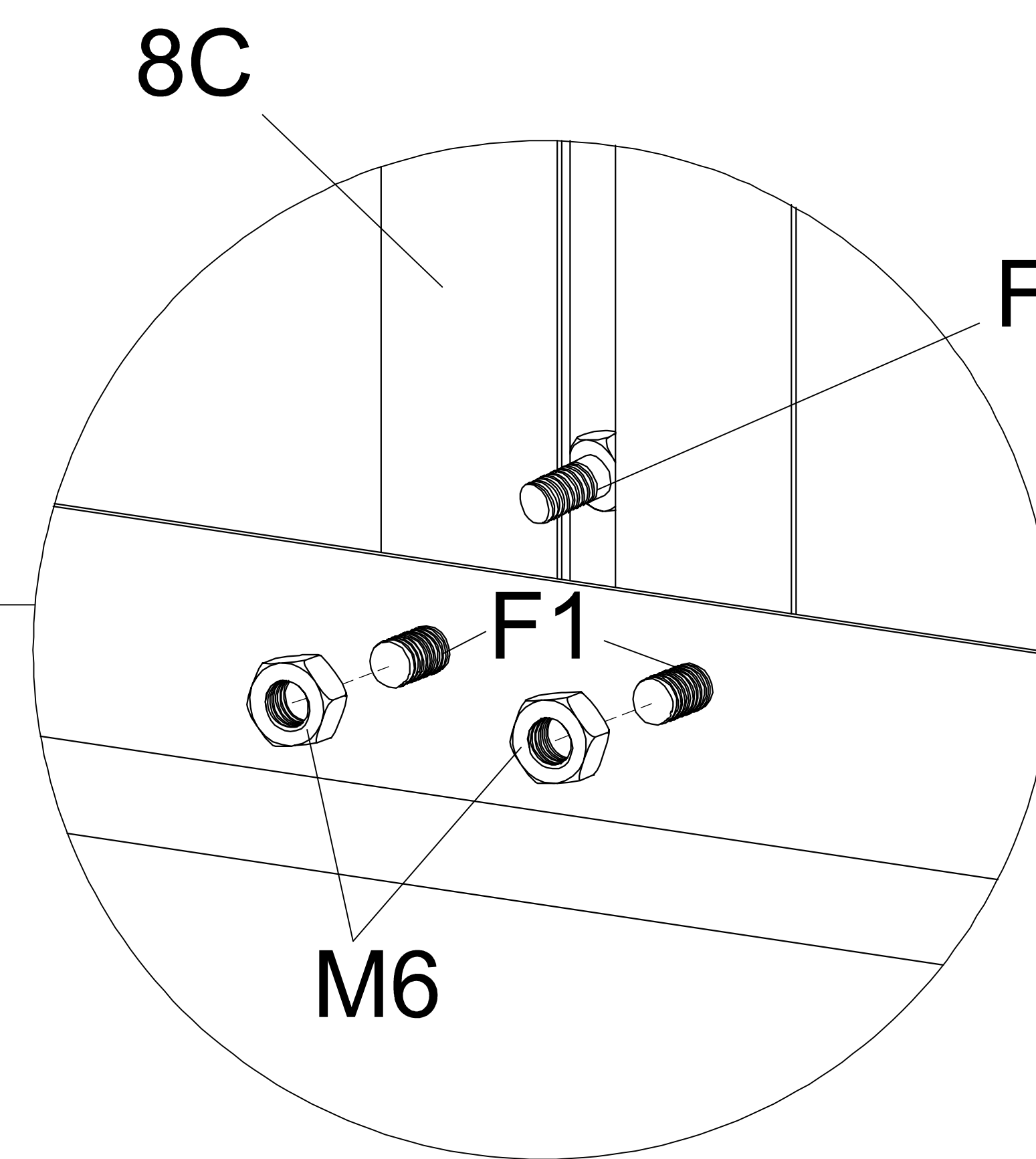
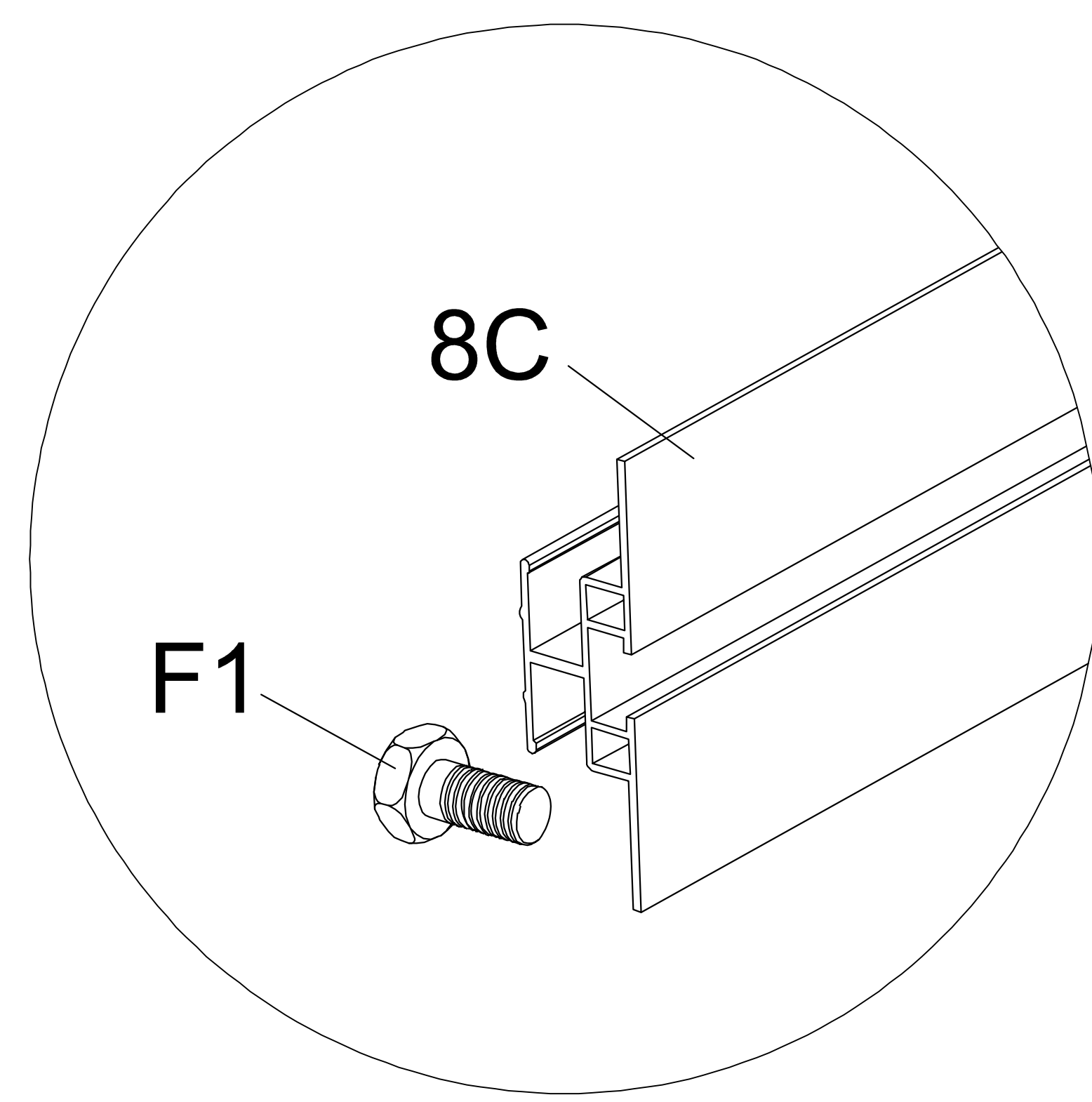
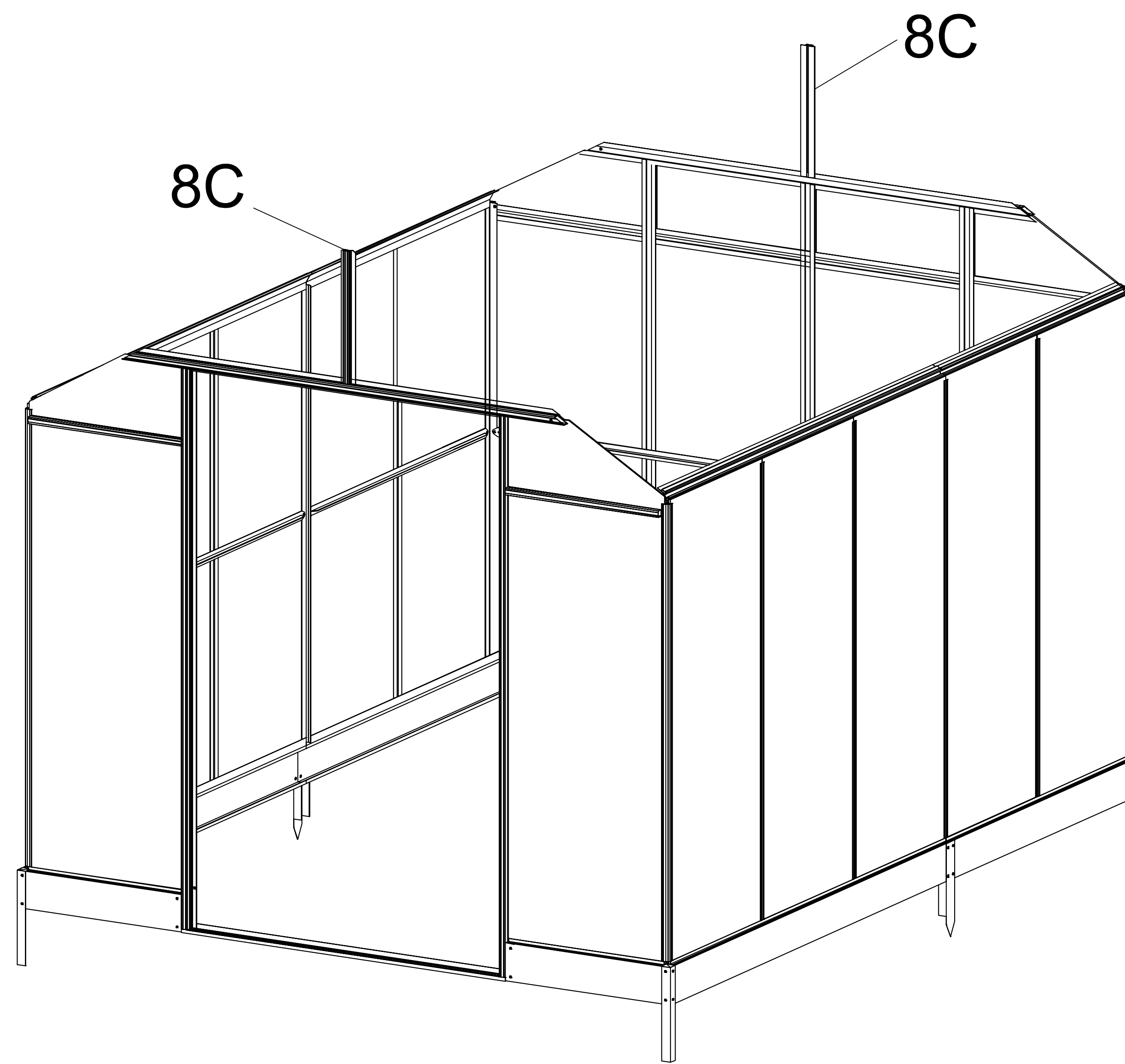


Loose the nuts M6 on 4A, 4B, 4C & 4D to allow 4E & 4F fitted in.  
After the screws are inserted into the U-shaped opening, it is necessary to adjust the structure and lock it.



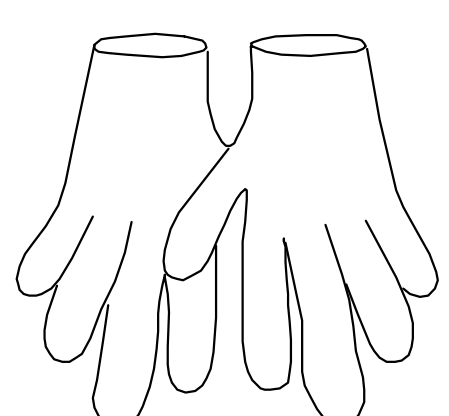
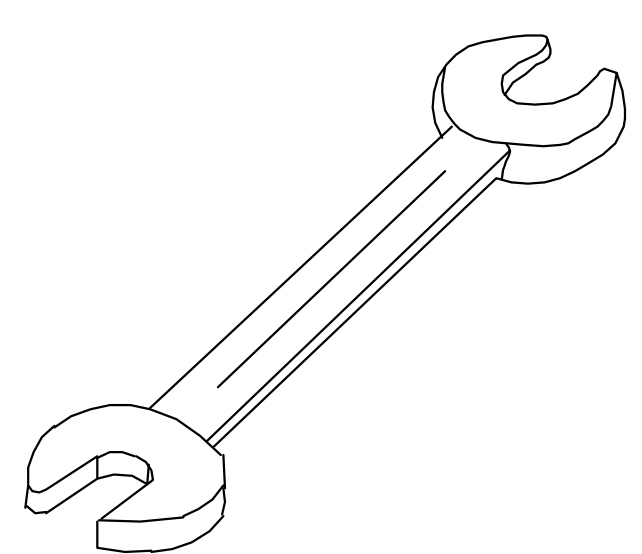
# Top Assembly

PART	NO	QTY
	8C	2
	P6	2
	P7	2
	F1	6
	M6X12	
	M6	4
	M6	

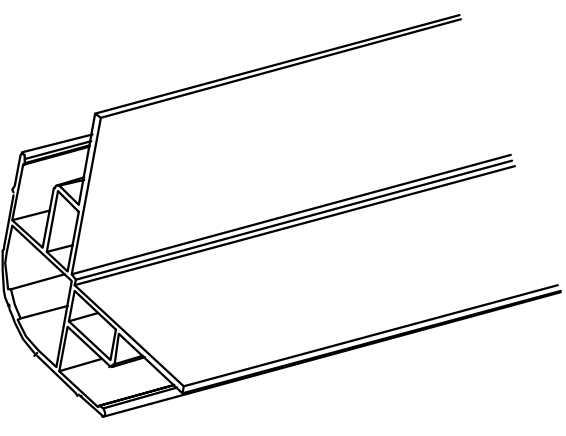
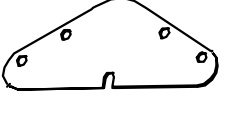
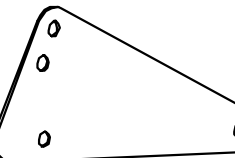
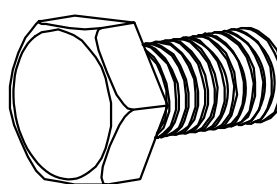
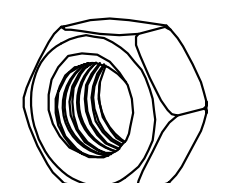


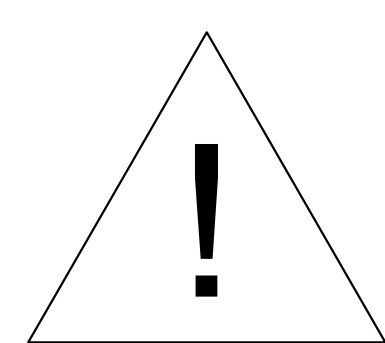
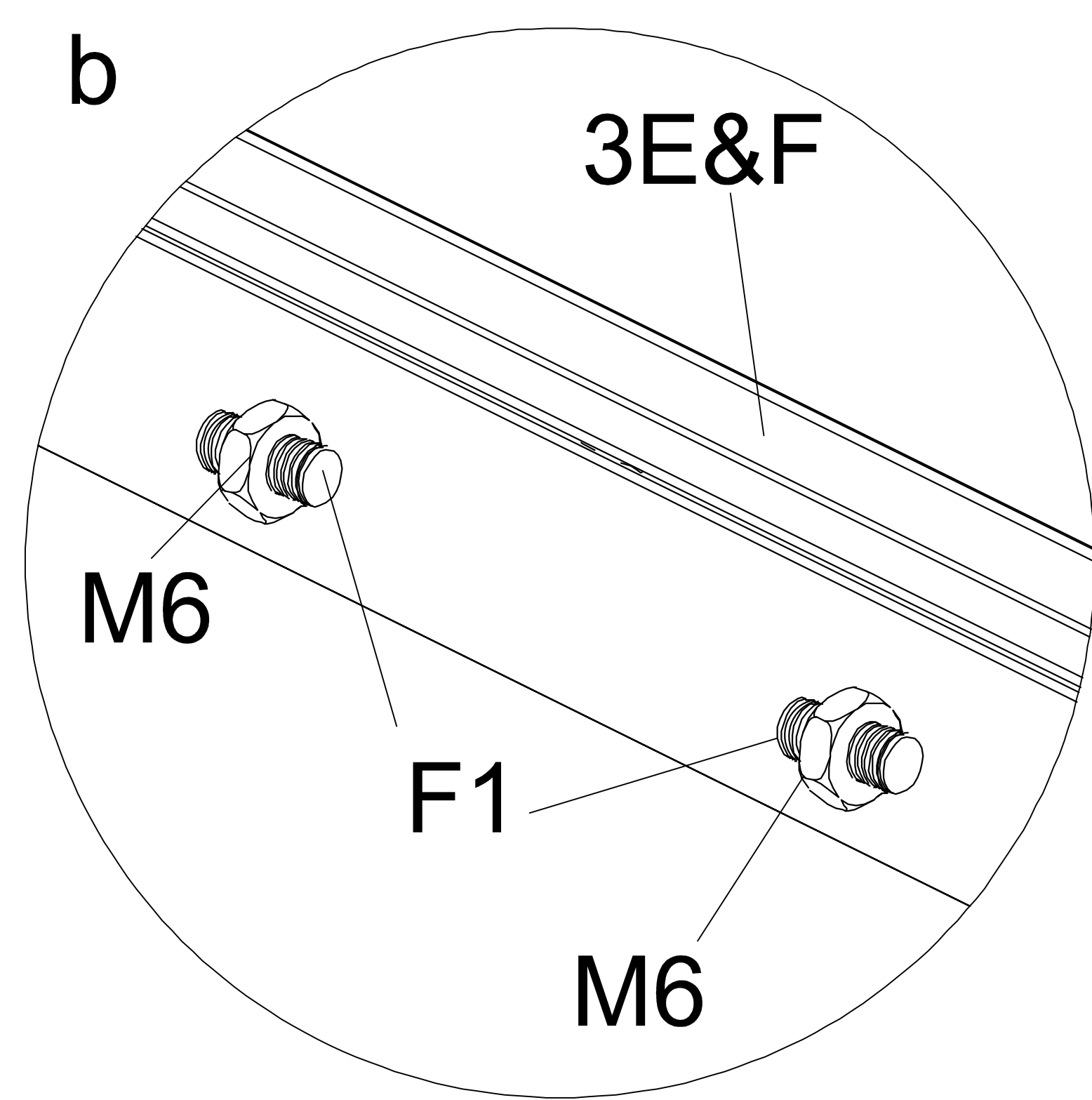
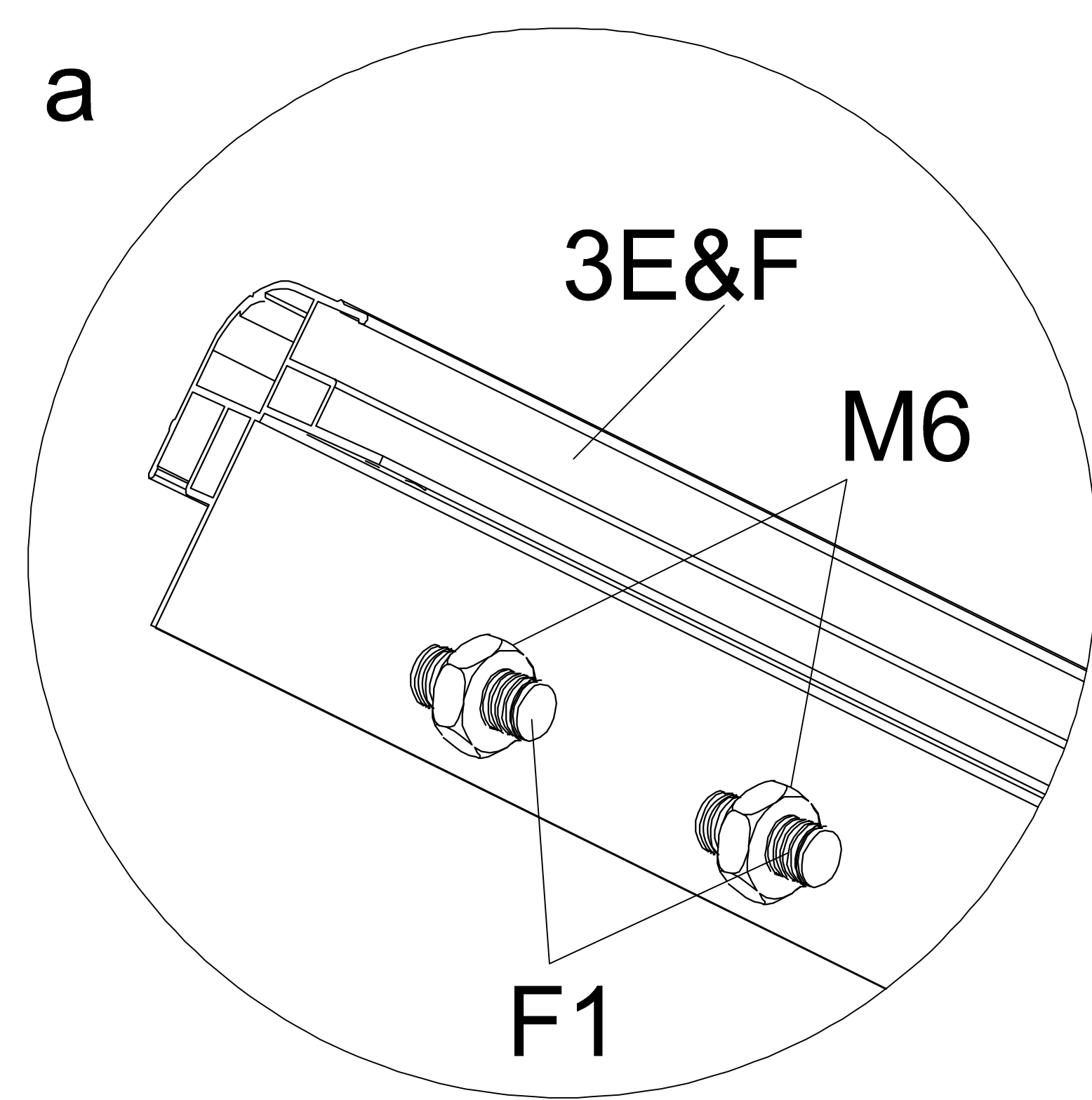
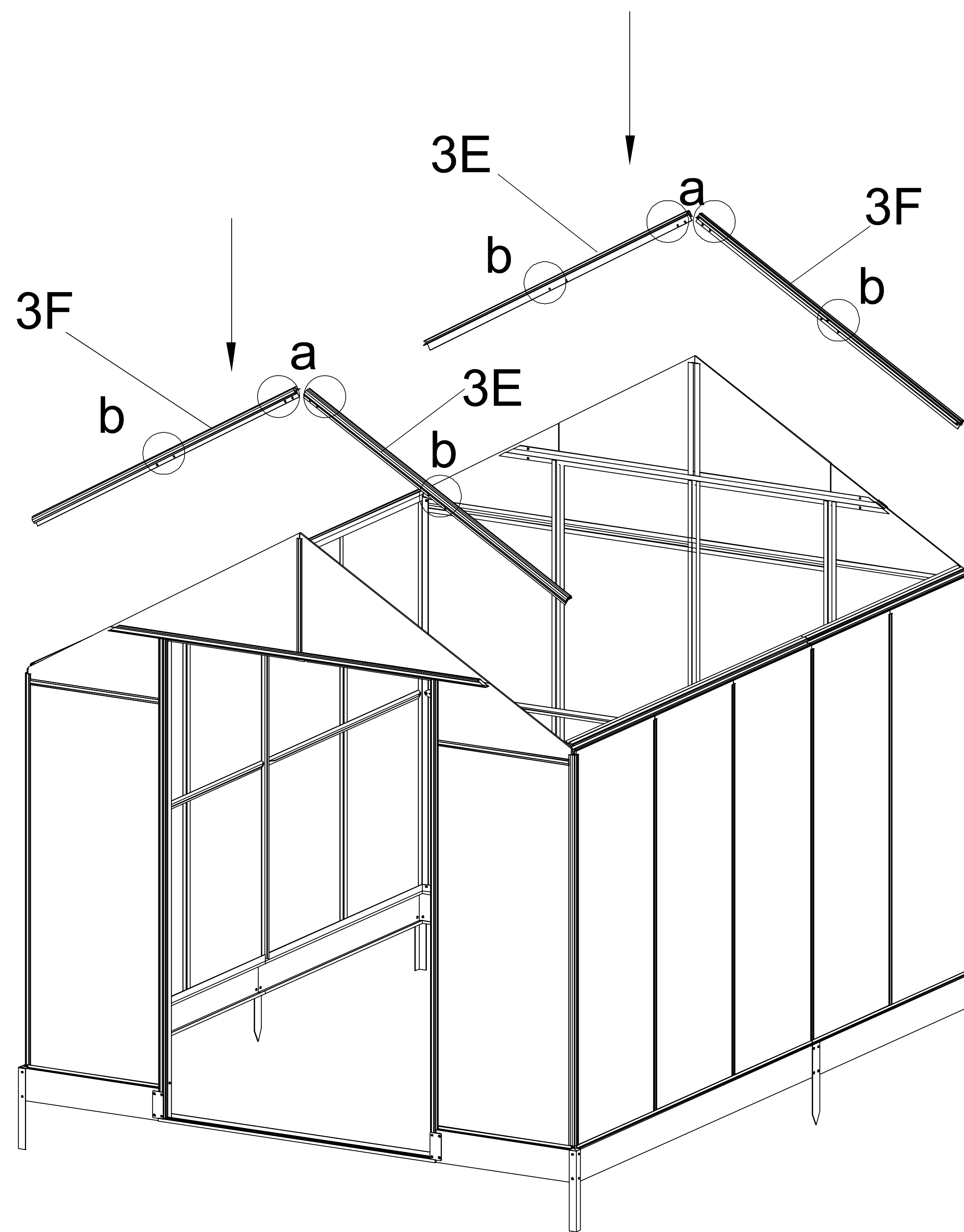
**! Attention:** Remove the protective films from both sides of each polycarbonate panel, before inserting into aluminum channels. Ensure the milky white film faces towards the Sun.

Put the panels into positions

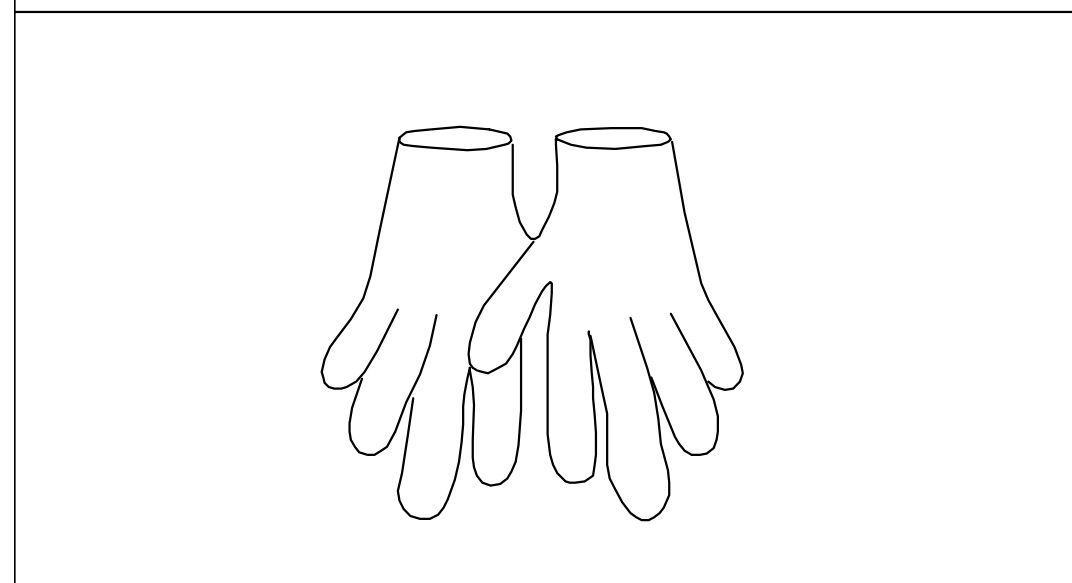
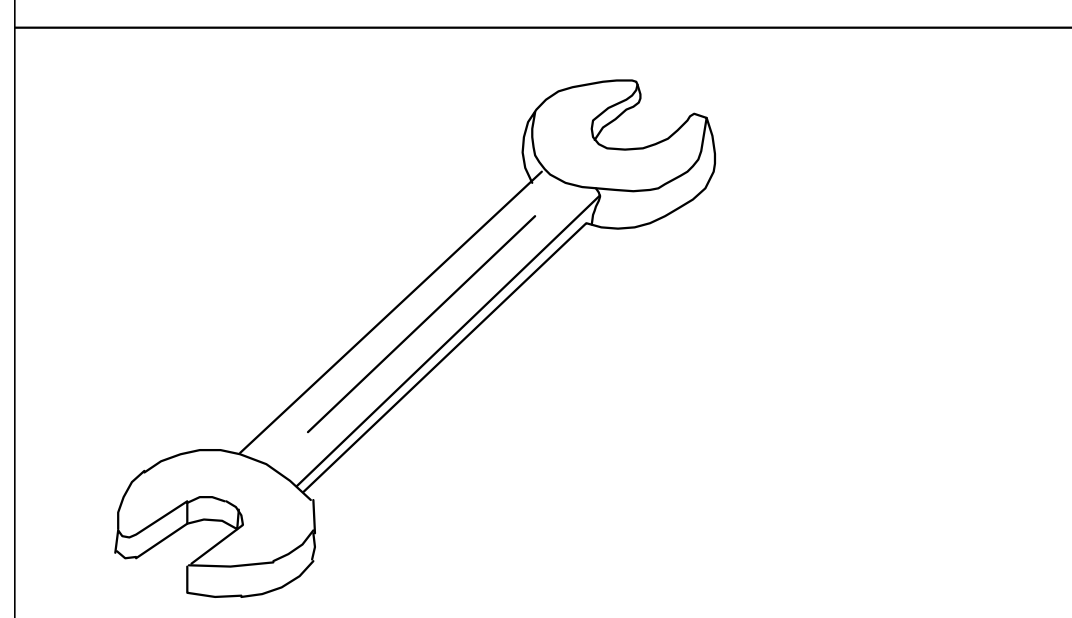


# Top Assembly

PART	NO	QTY
	3E	2
	3F	2
	B6	2
	B7	4
	F1	16
	M6X12	
	M6	18
	M6	

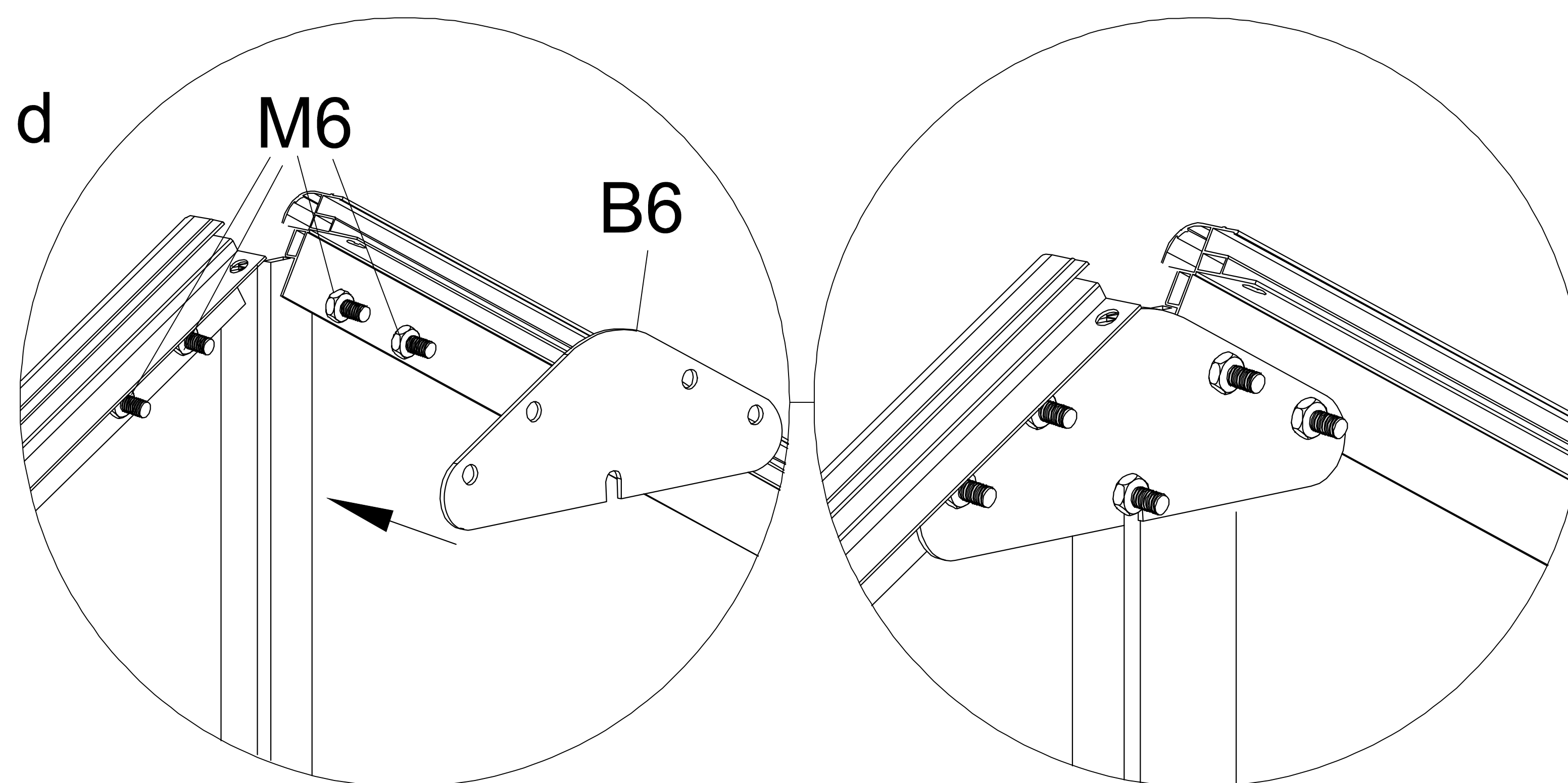
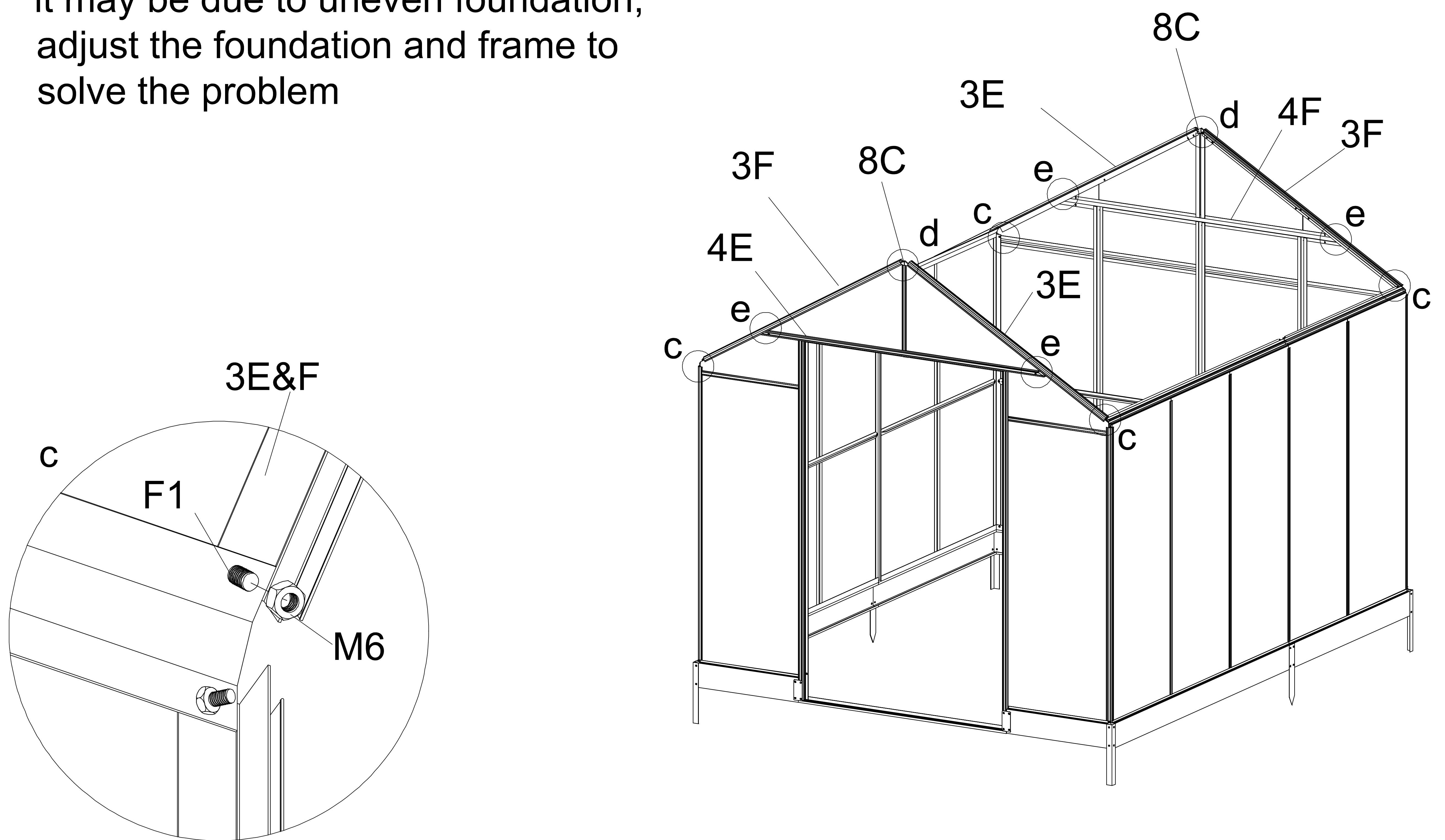


**! Attention: Preload F1 & M6 on 3E and 3F before fixing them to 4E & 4F. See figure a & b.**

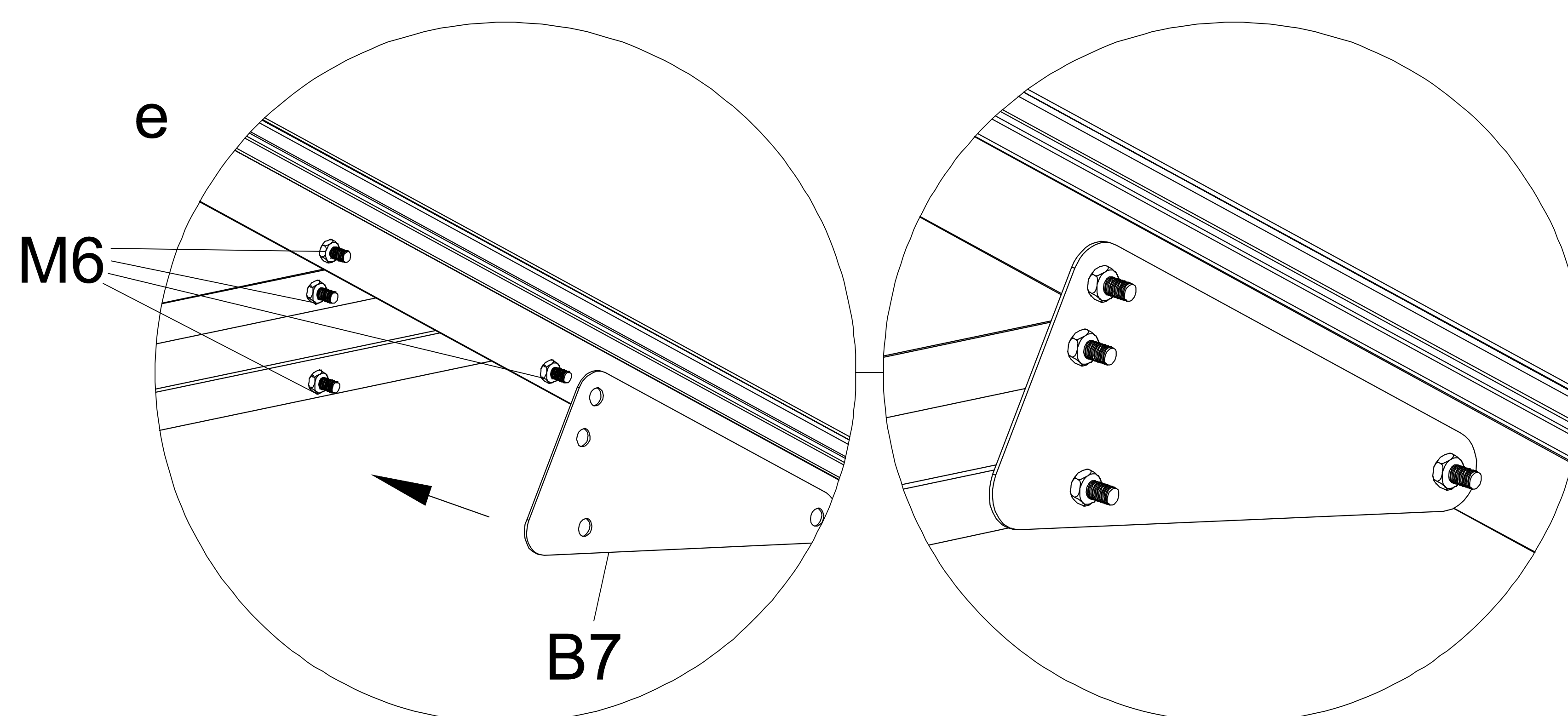


# Top Assembly

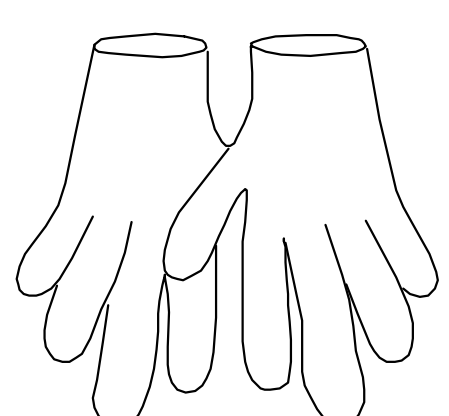
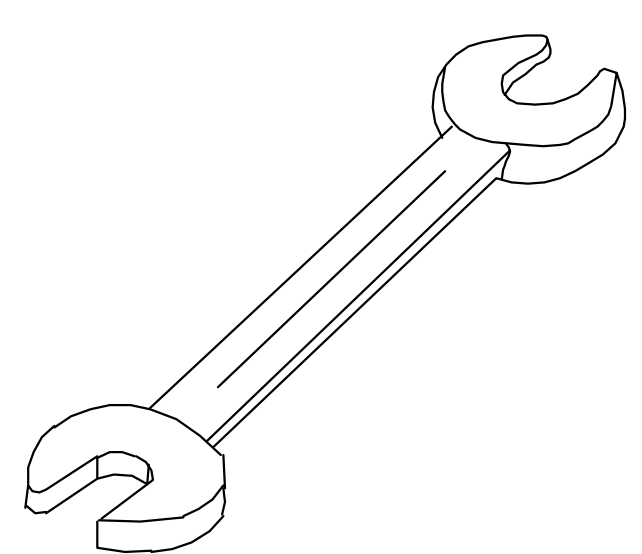
If the holes are not aligned,  
it may be due to uneven foundation,  
adjust the foundation and frame to  
solve the problem



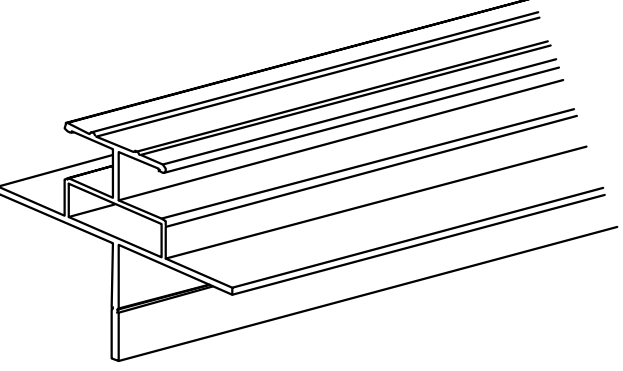
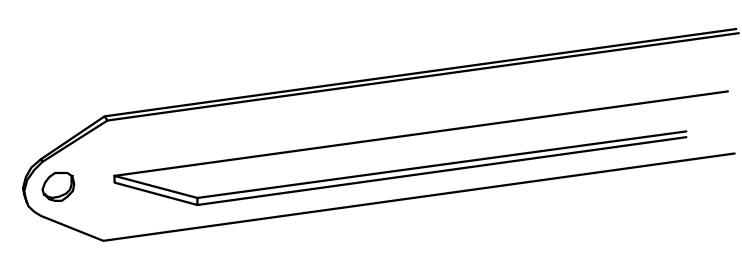
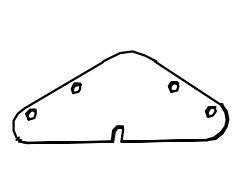
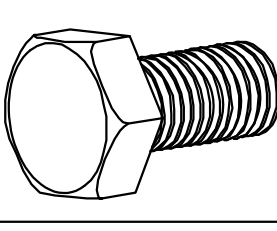
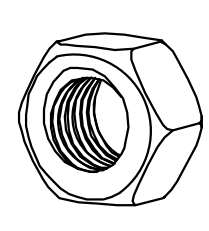
Bolt 3E and 3F with plate B6, using F1 & M6 preloaded above.  
And then fix them to 8C, using F1 & M6.

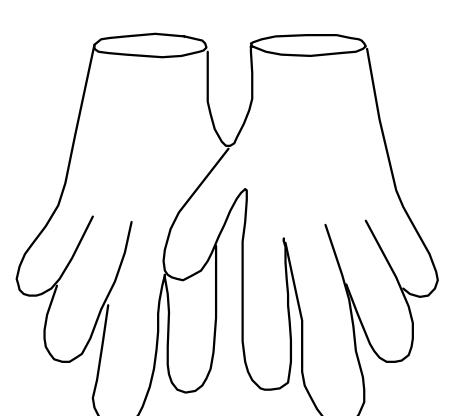
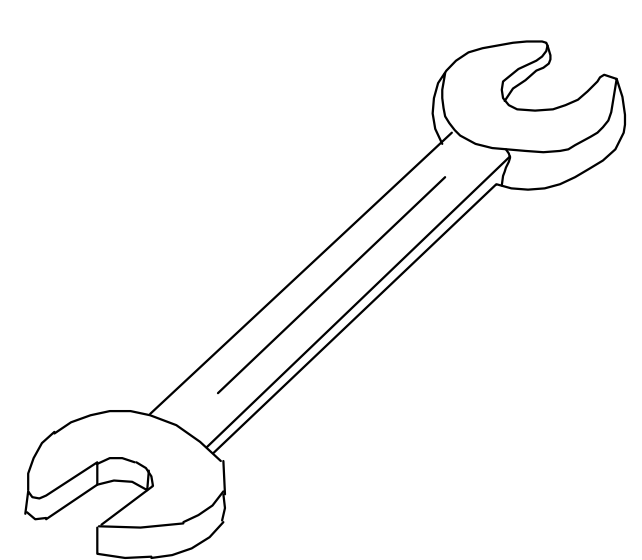
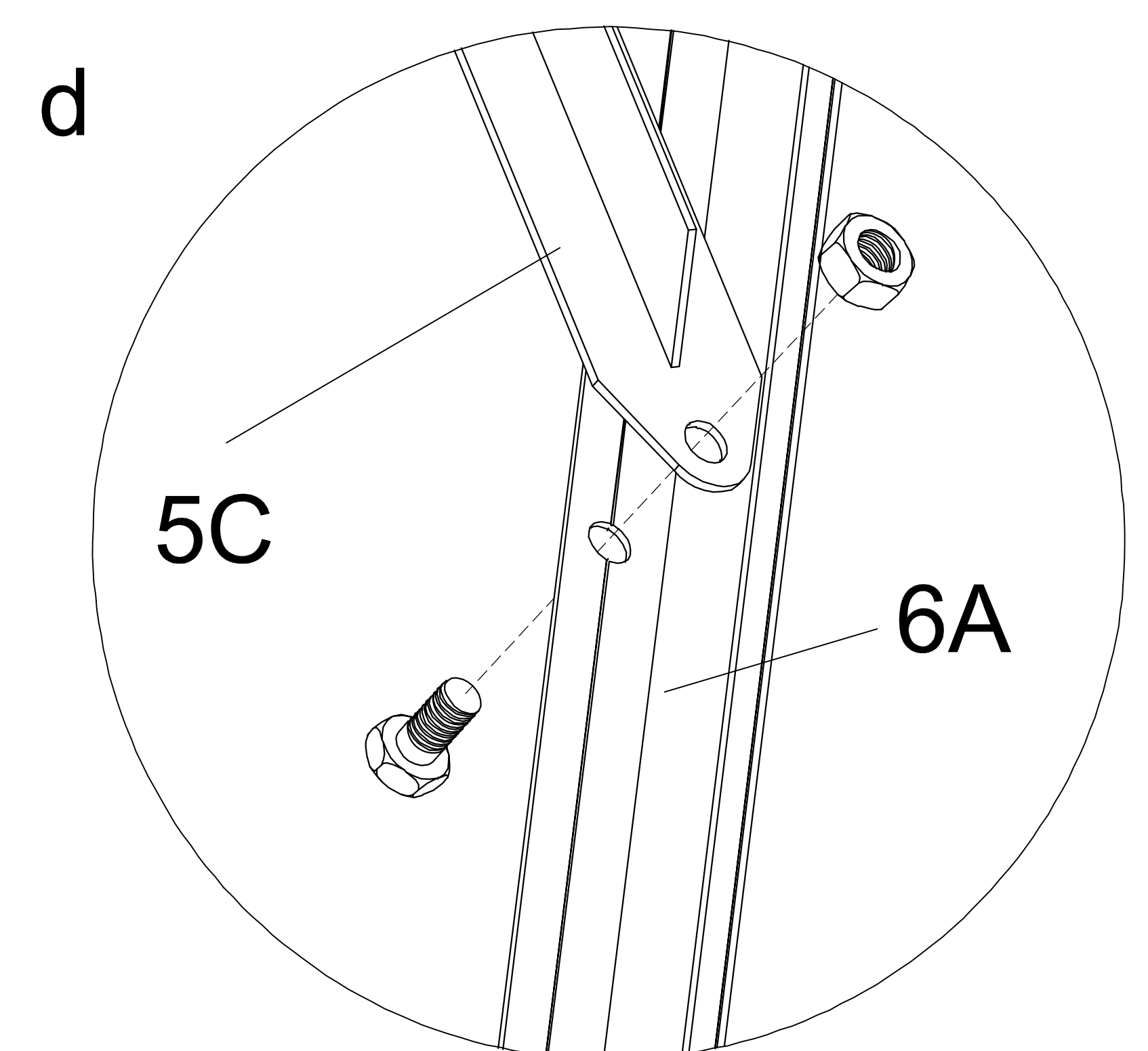
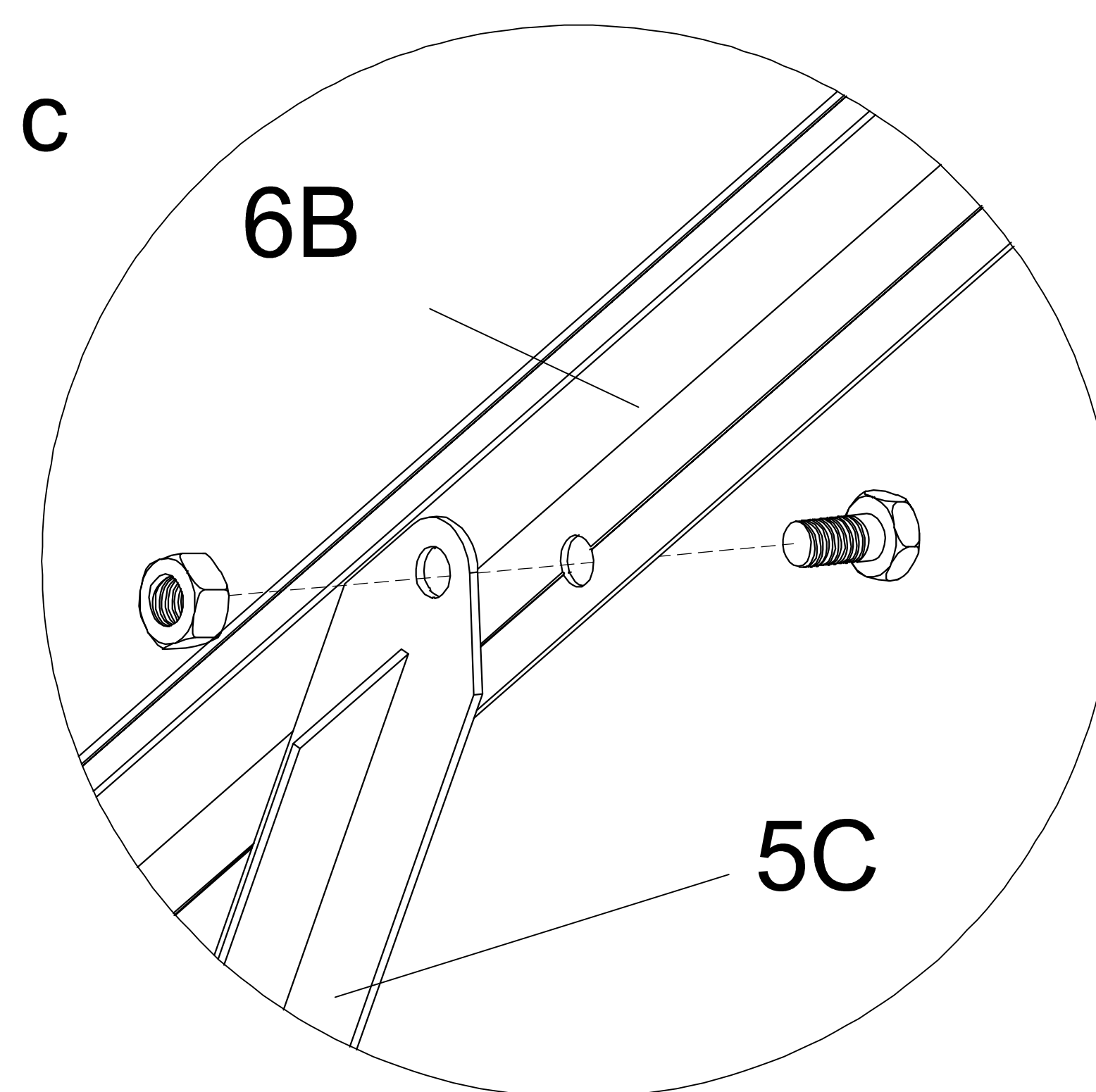
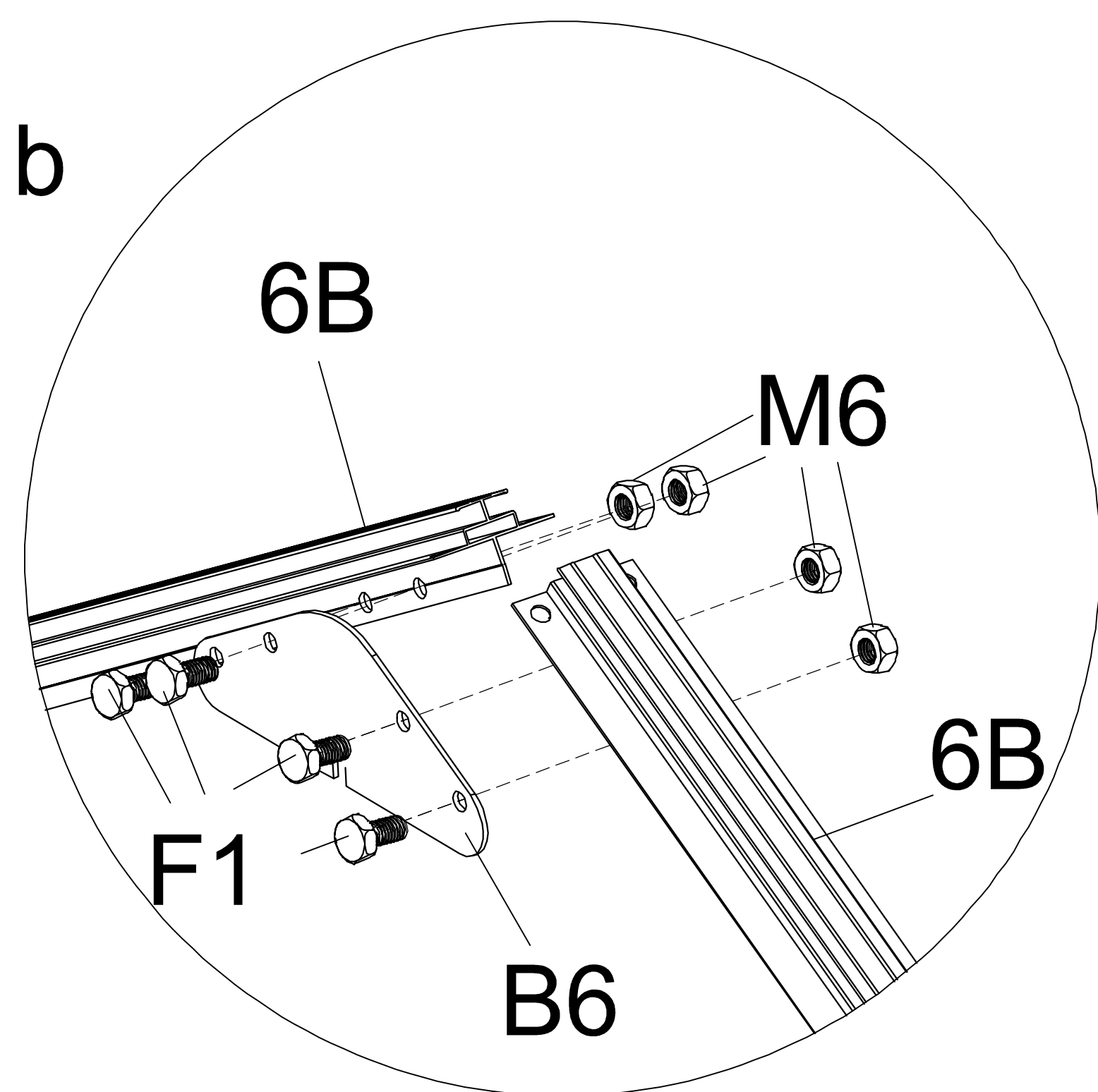
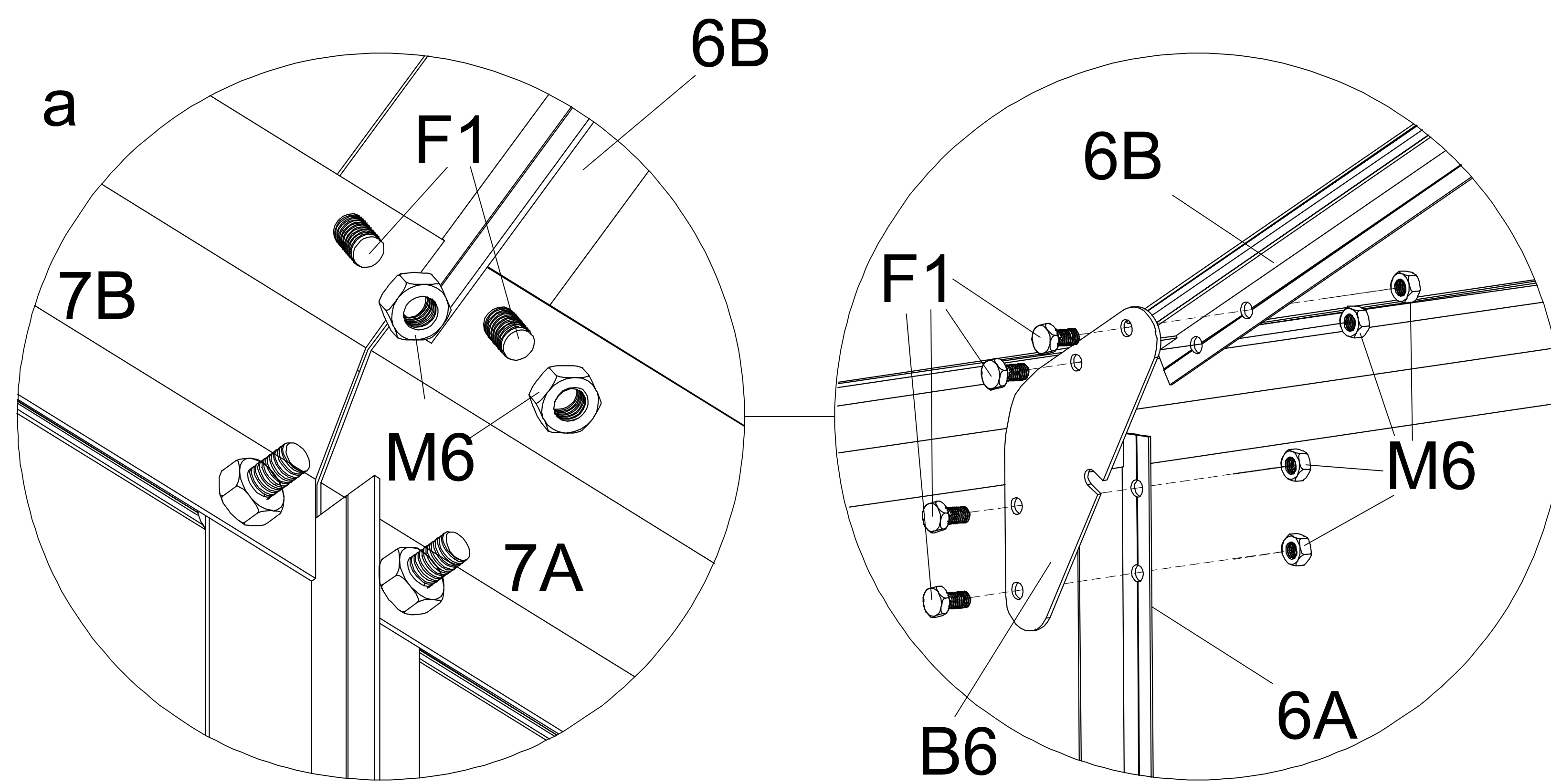
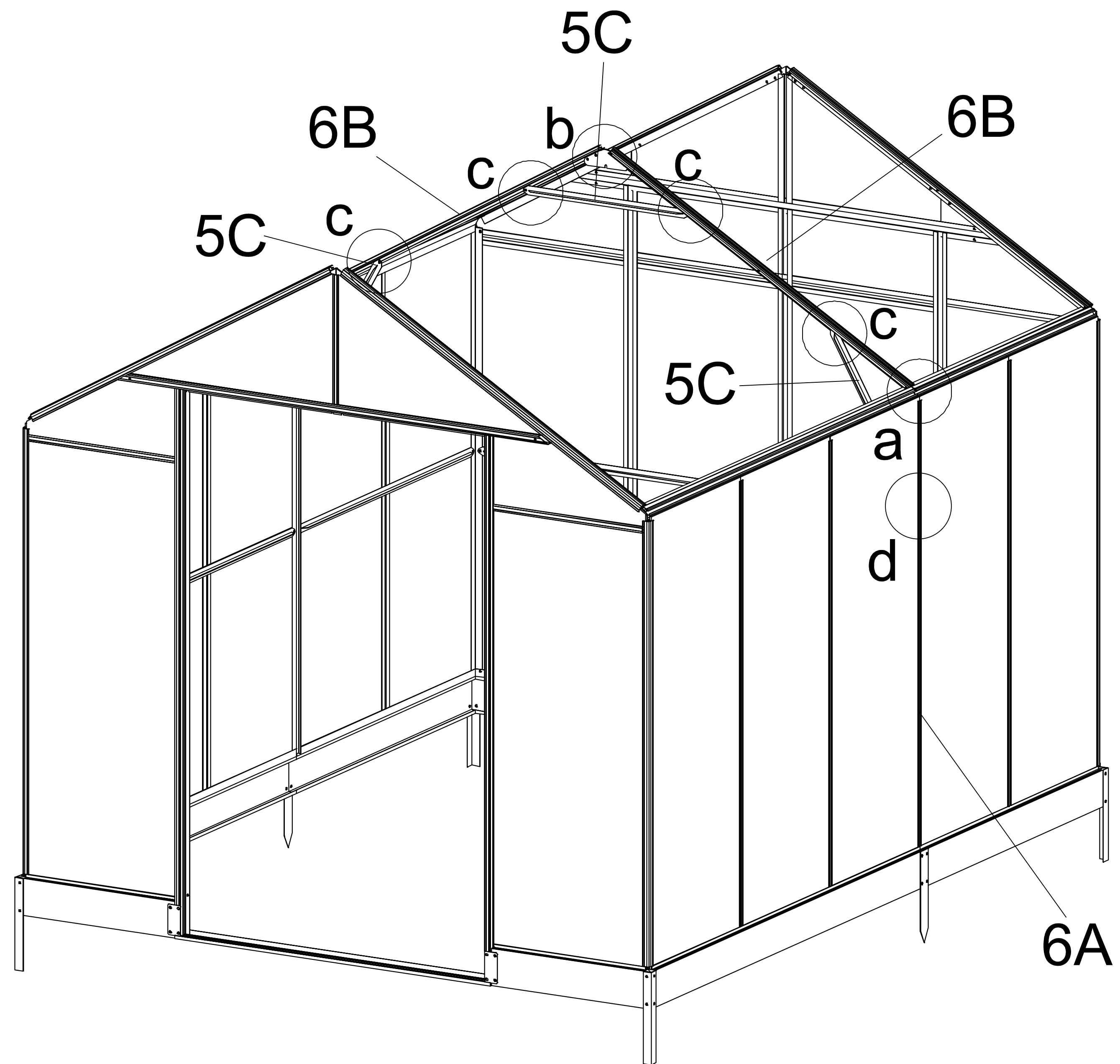


Fix 3E & 3F to 4E & 4F with the plate B7,  
using the F1 and M6 preloaded above.

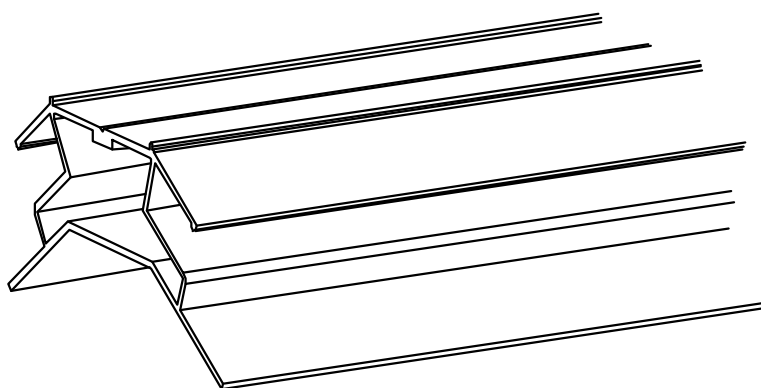
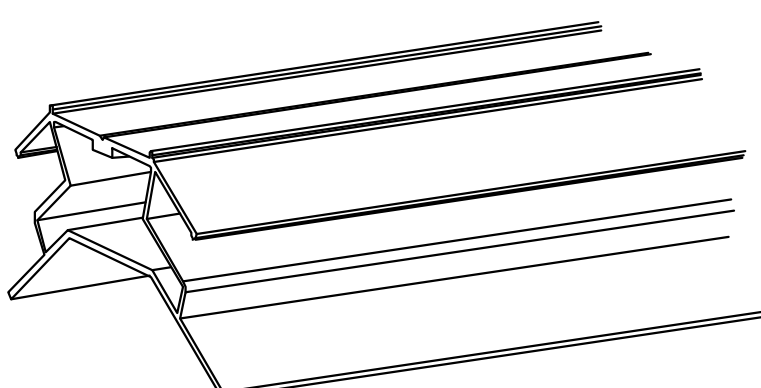
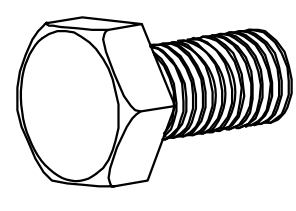
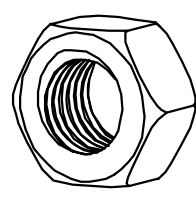


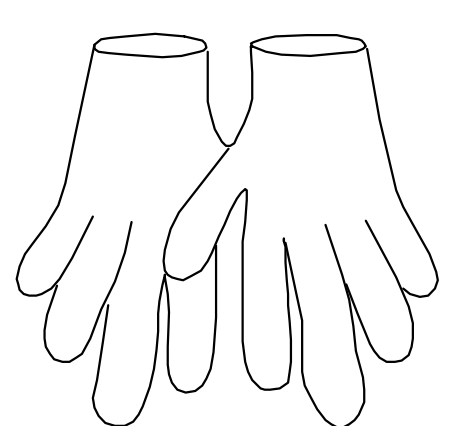
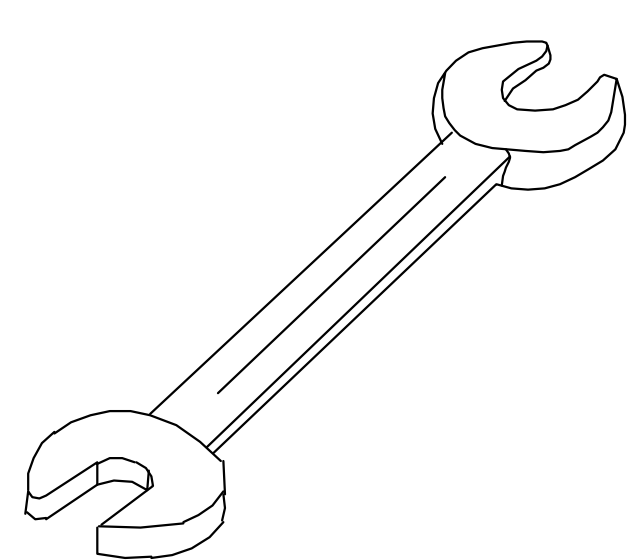
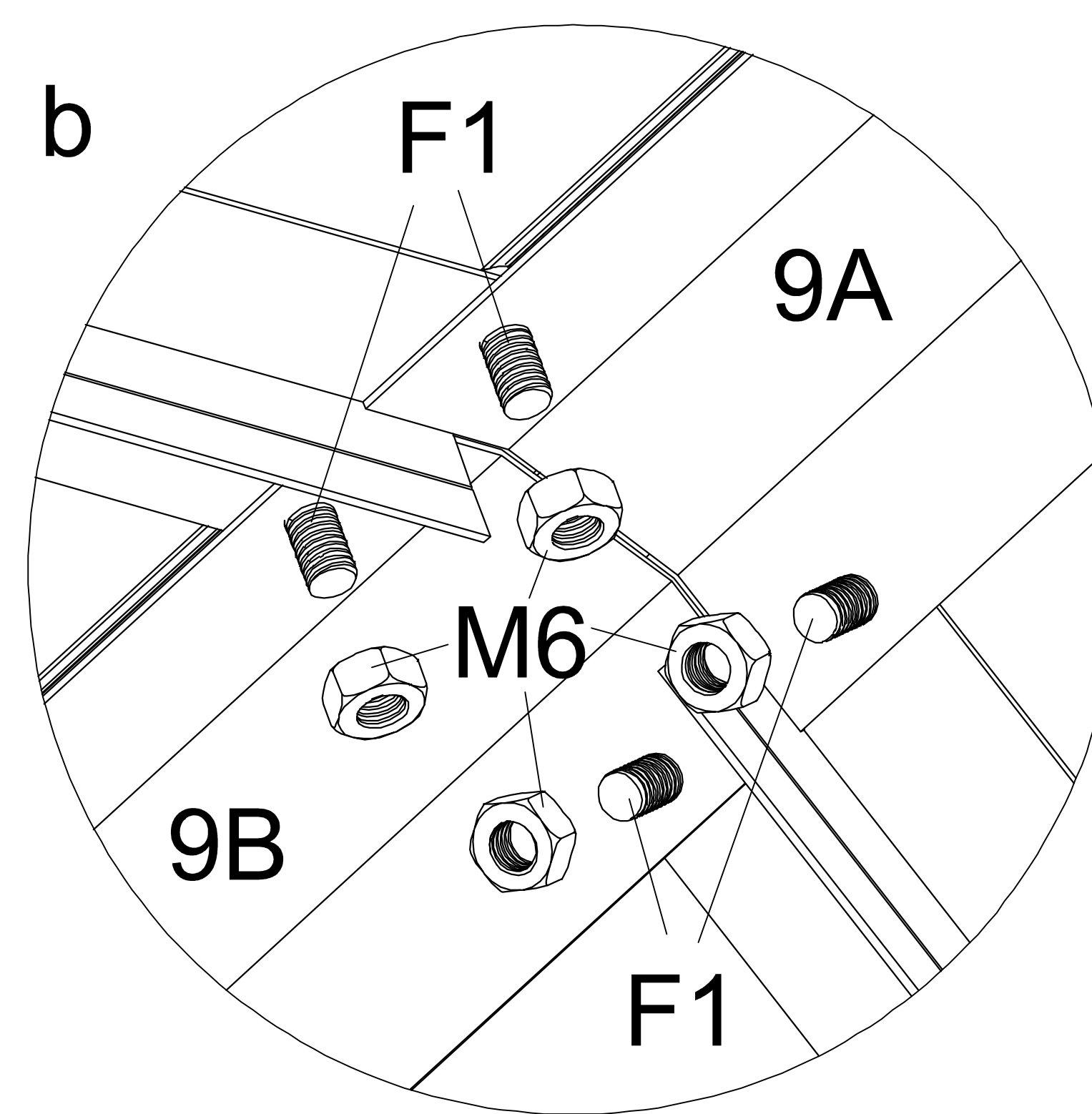
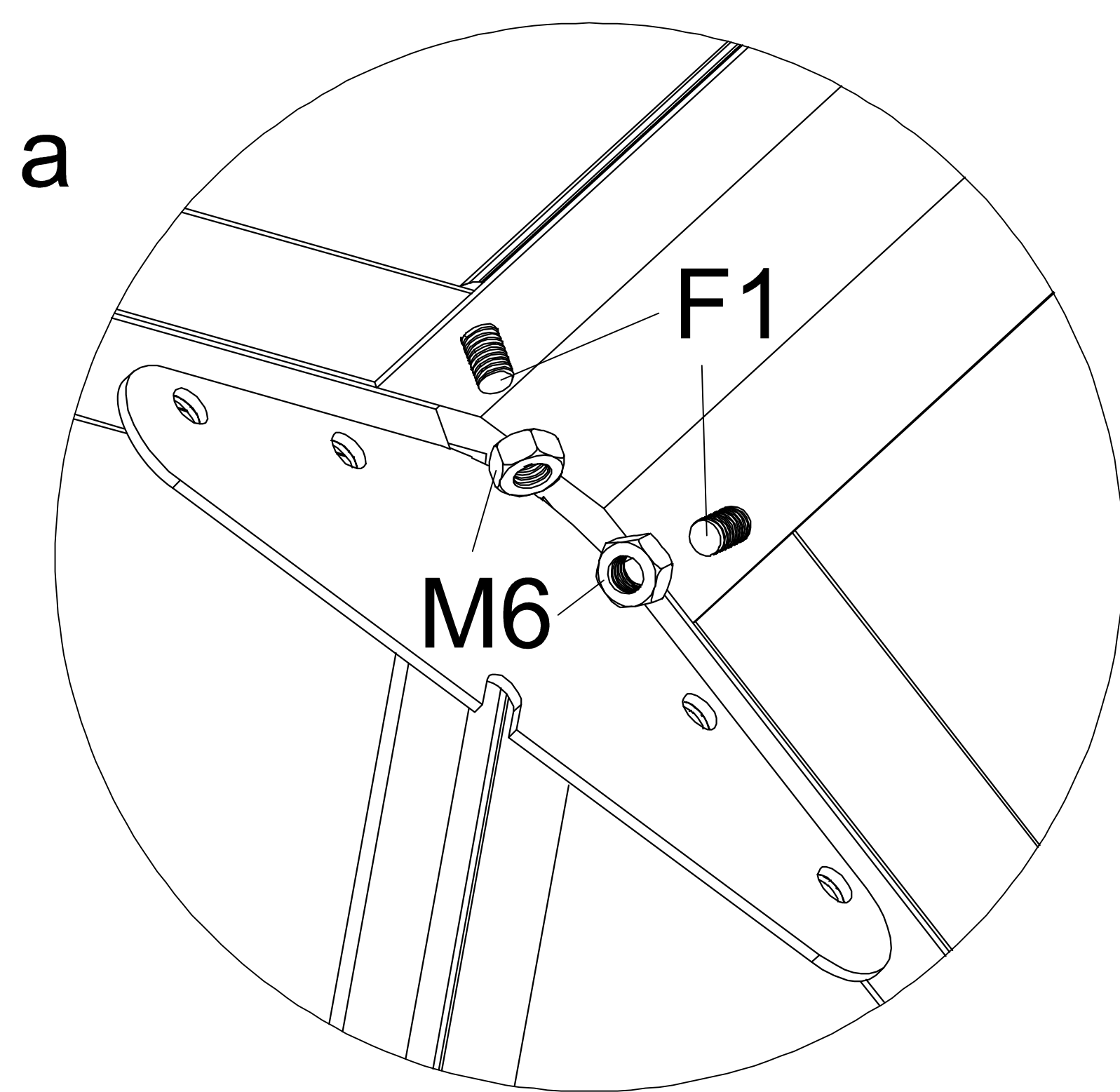
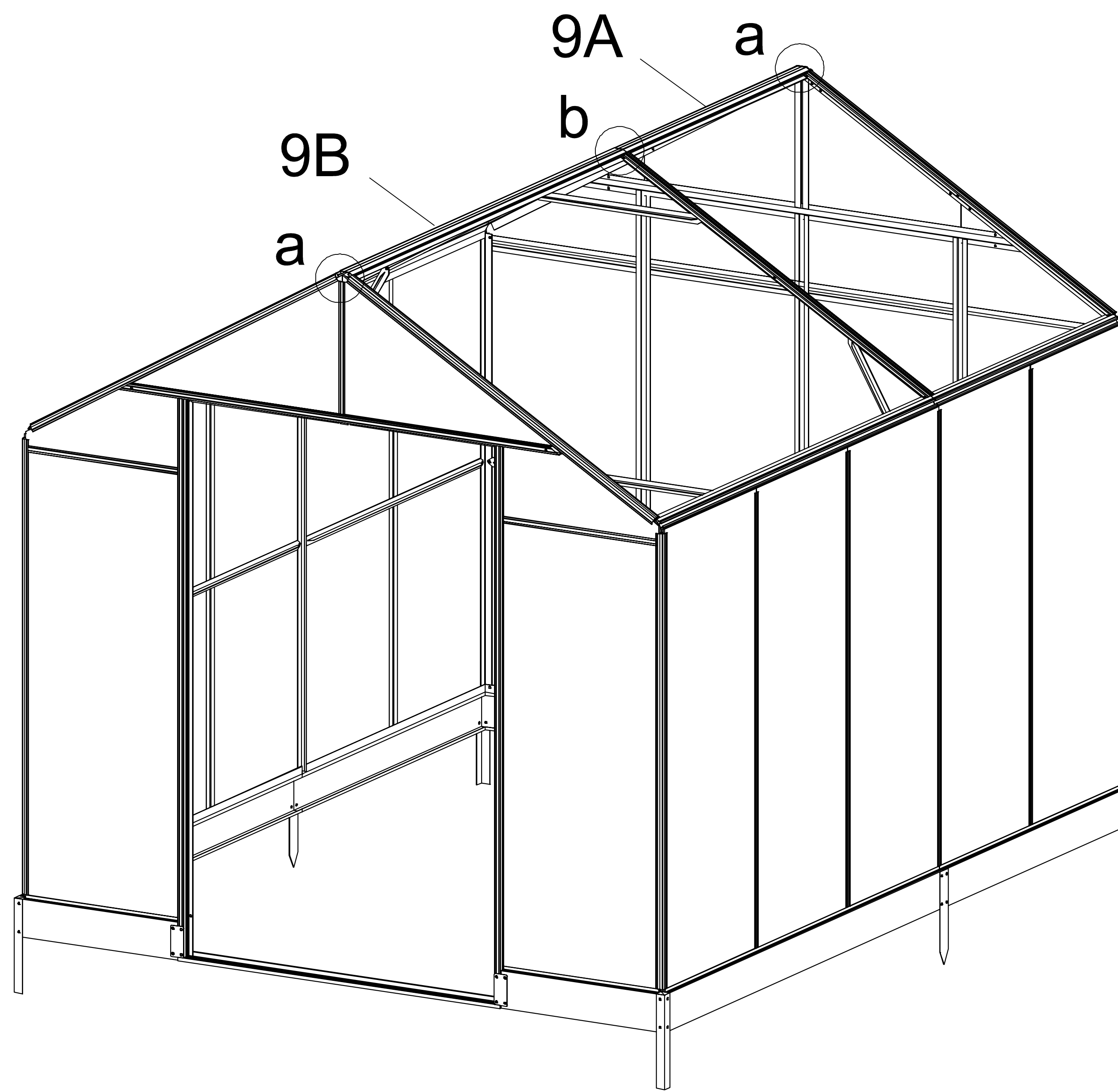
# Top Assembly

PART	NO	QTY
	6B	2
	5C	3
	B6	3
	F1	22
	M6X12	
	M6	22
	M6	

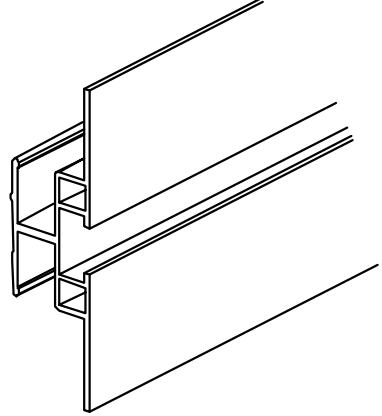
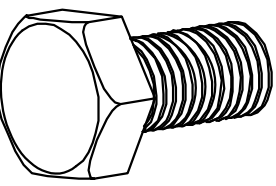
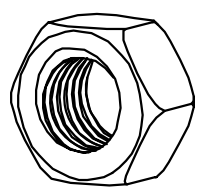


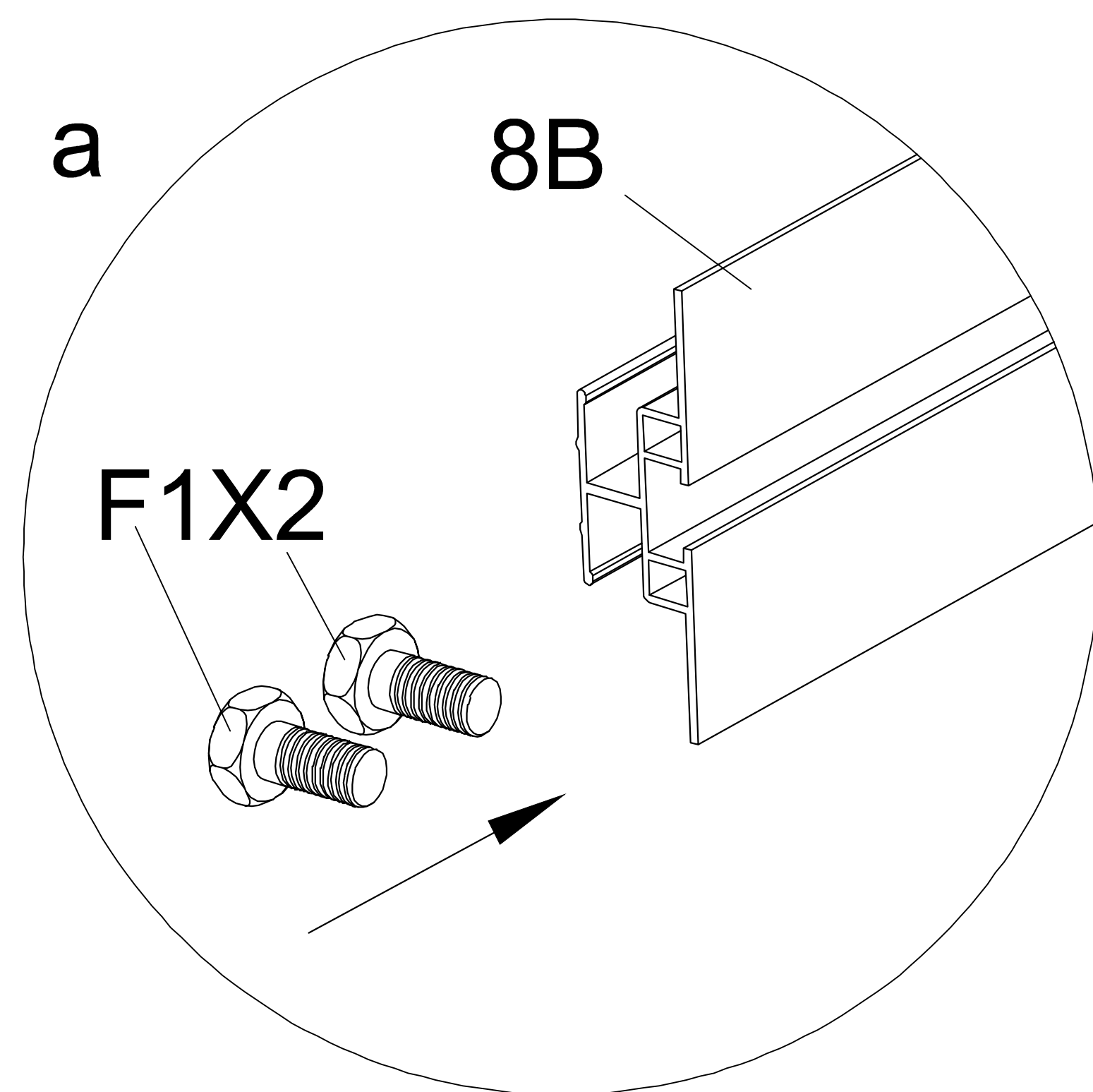
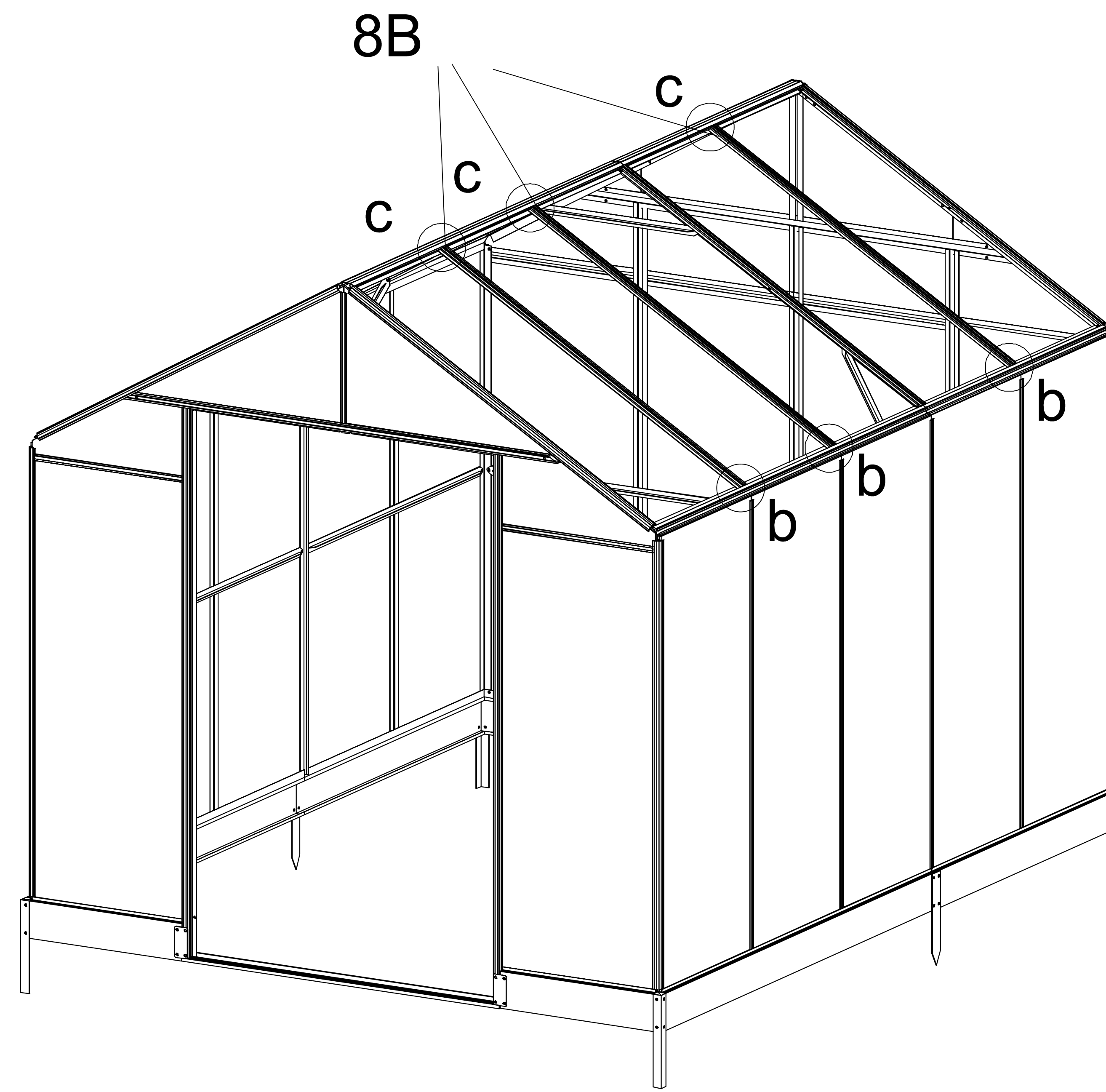
# Top Assembly

PART	NO	QTY
	9A	1
	9B	1
	F1 M6X12	8
	M6 M6	
	M6 M6	8

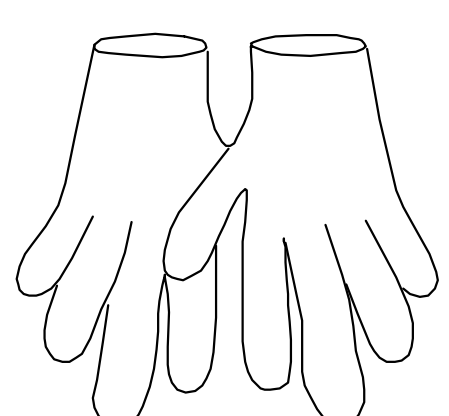
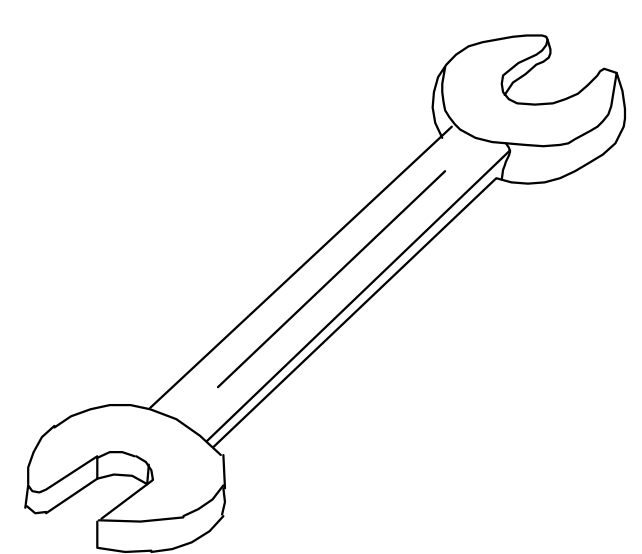
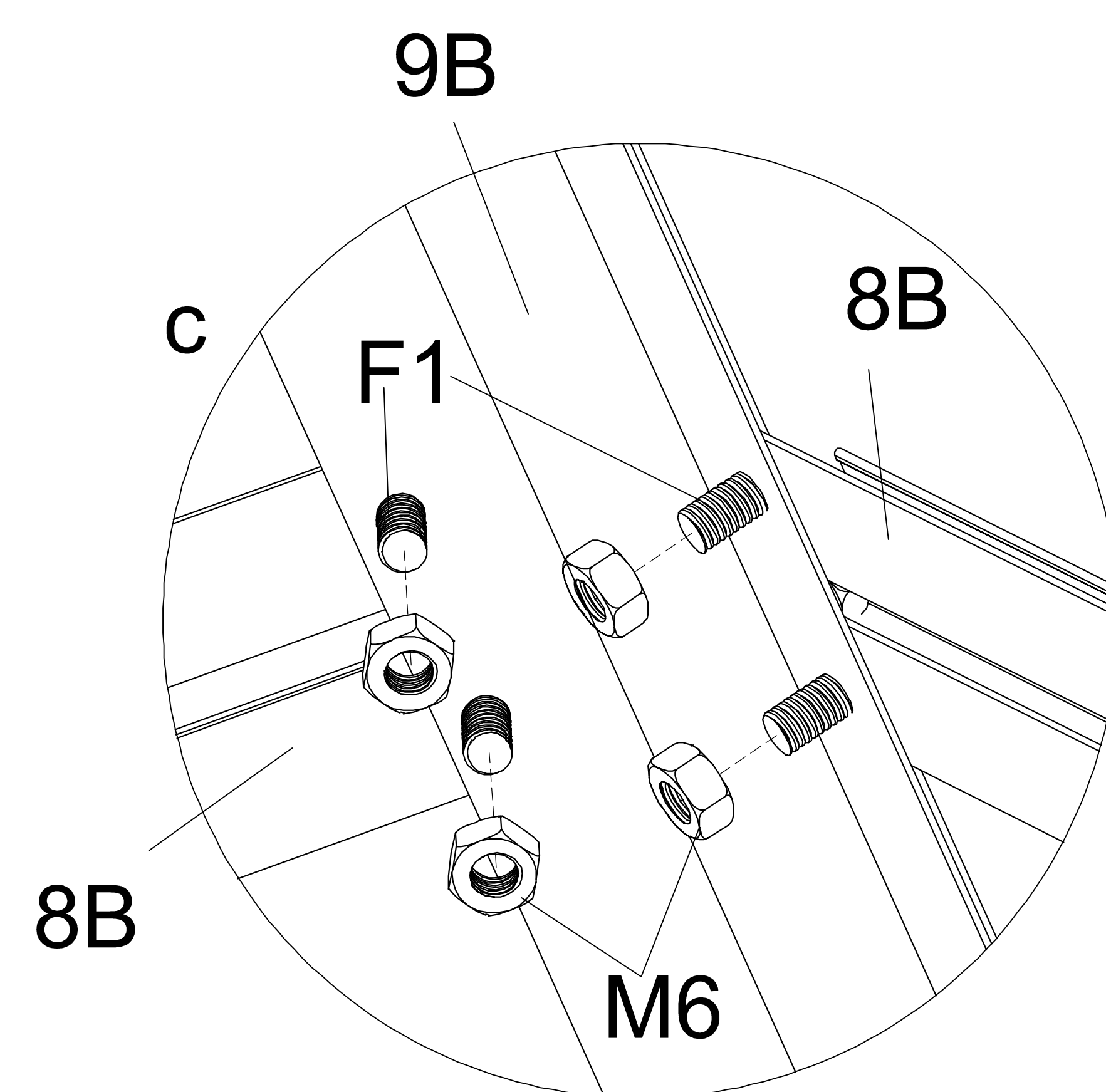
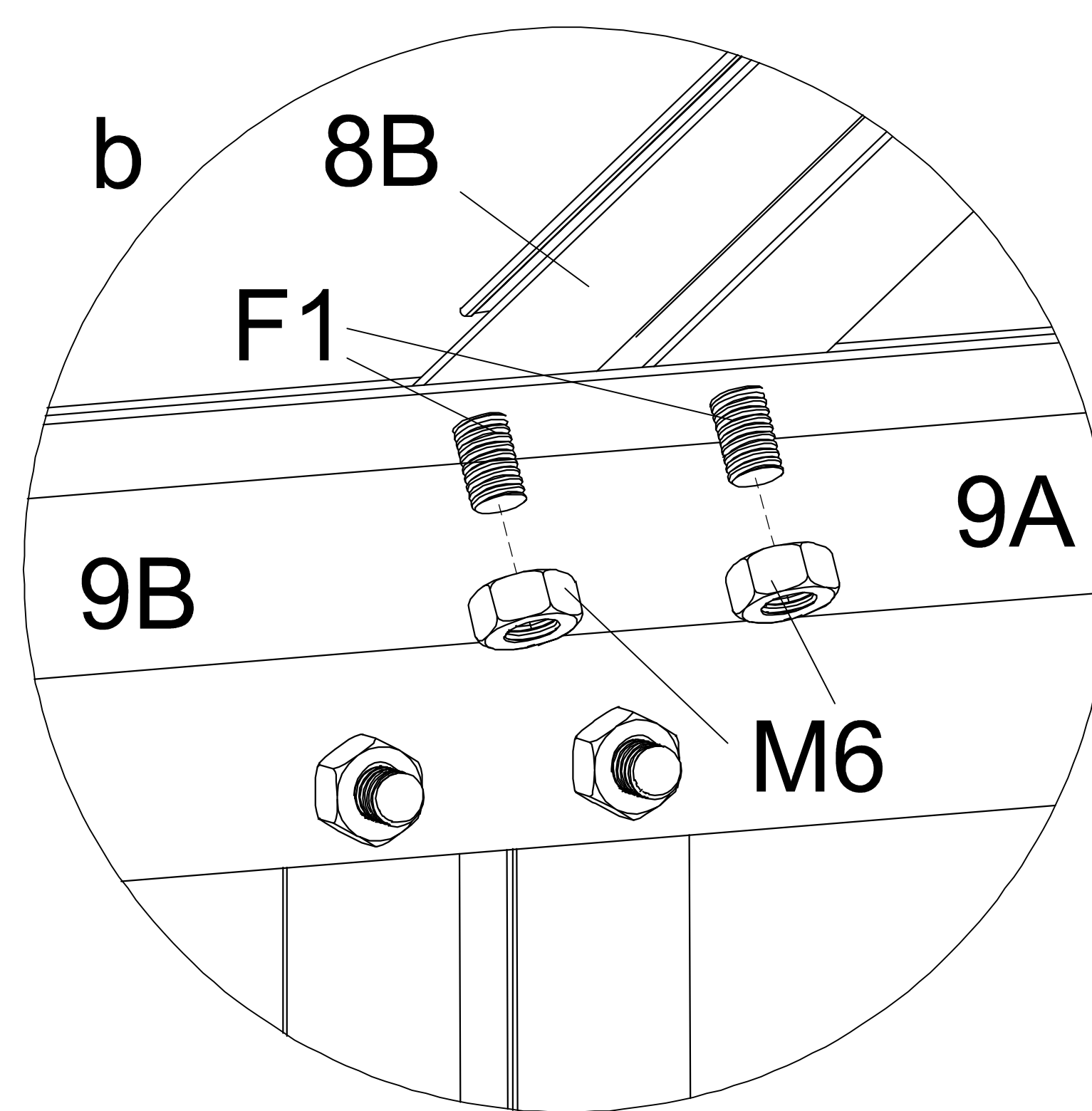


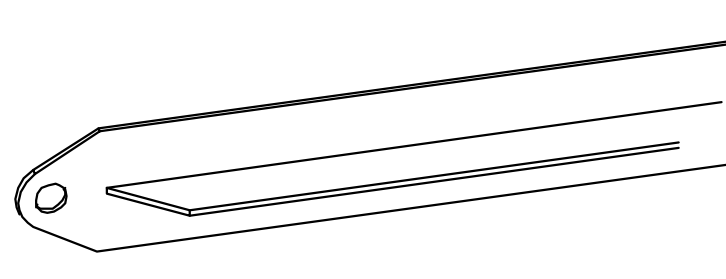
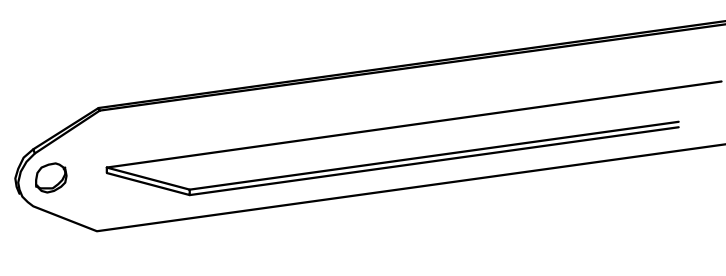
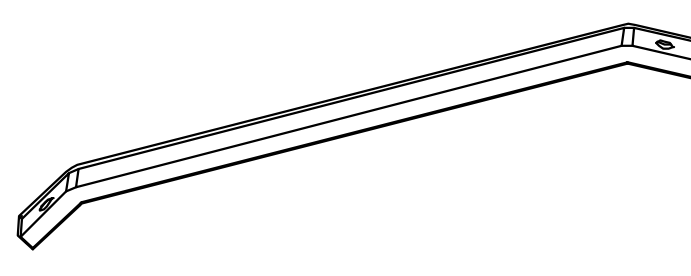
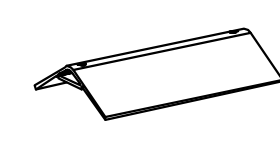
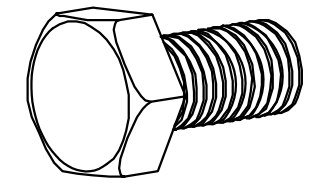
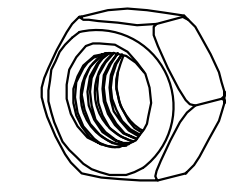
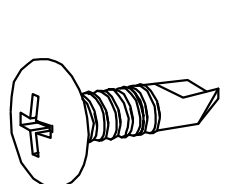
# Top Assembly

PART	NO	QTY
	8B	6
	F1 M6X12	36
	M6 M6	24

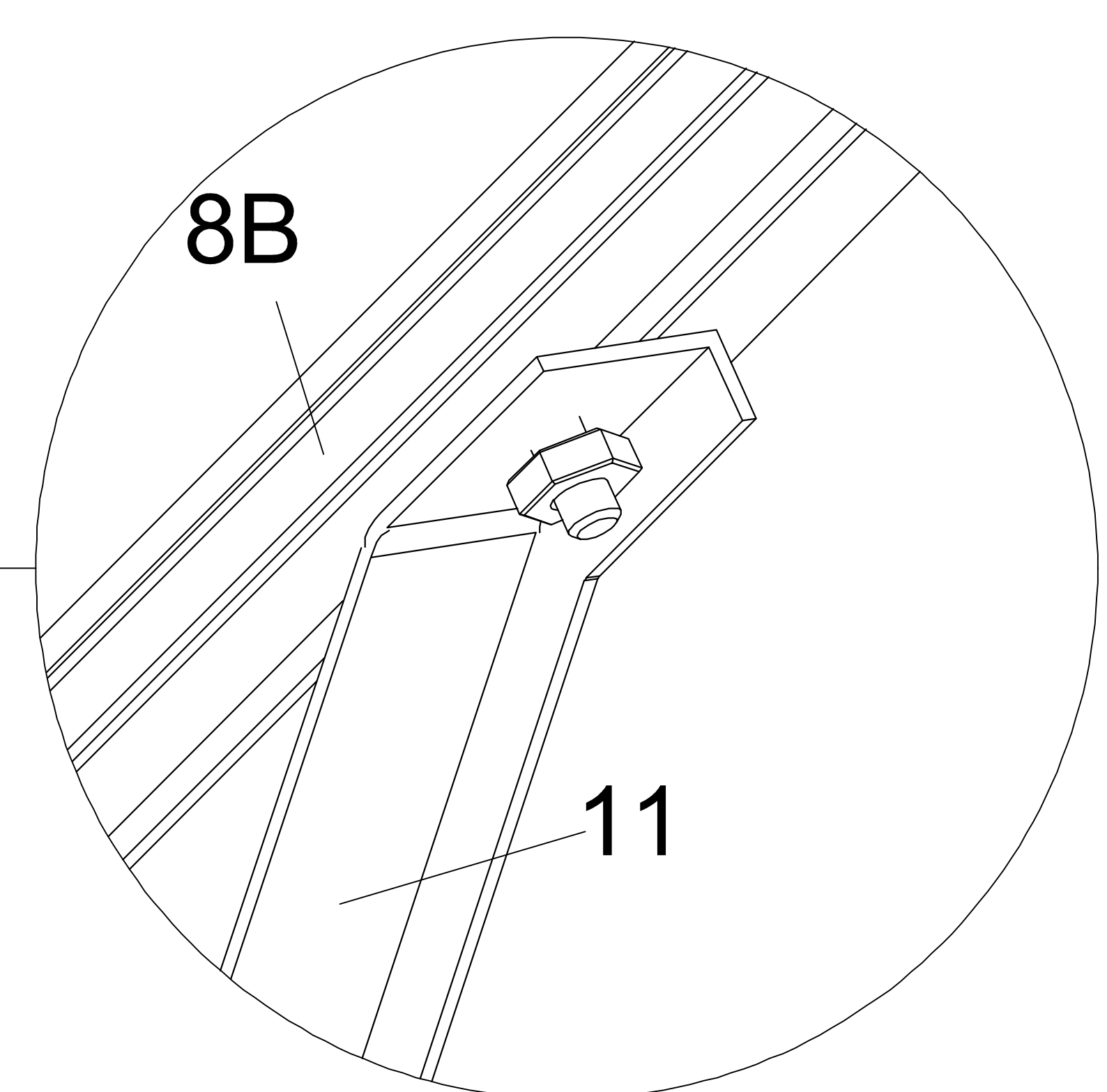
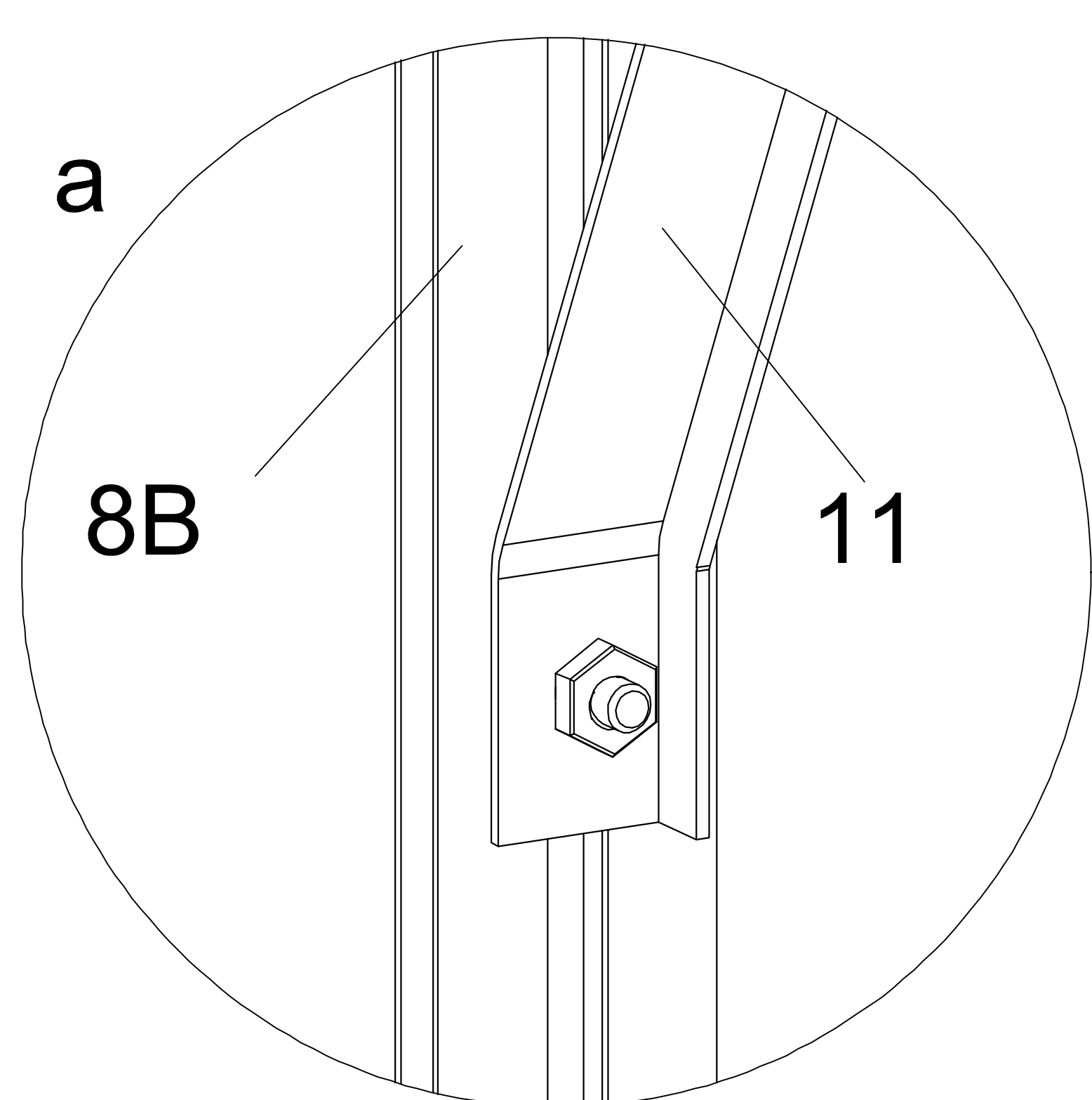
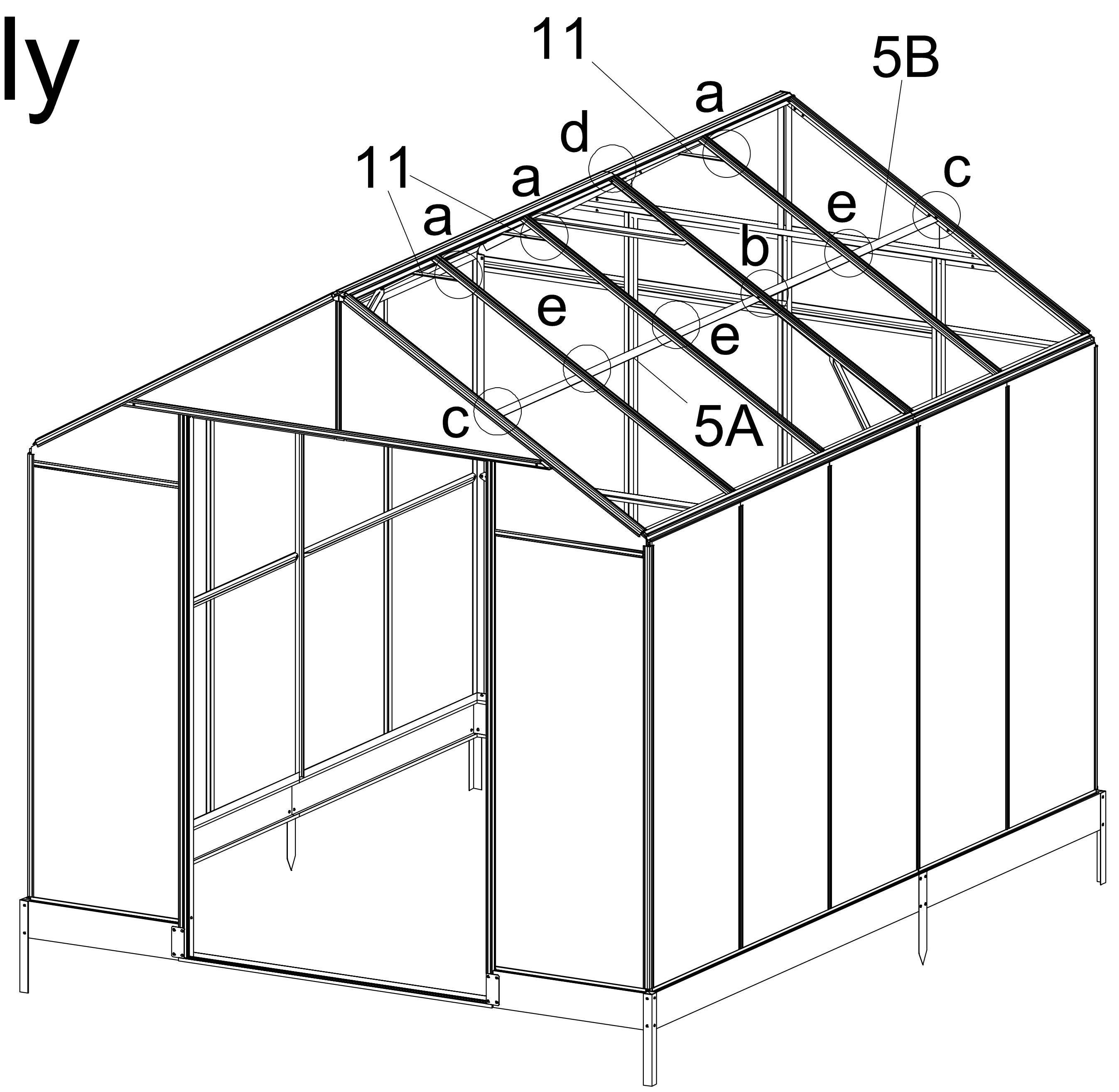


Slide 2 bolts (F1) into each 8B bolt channel to be used later.

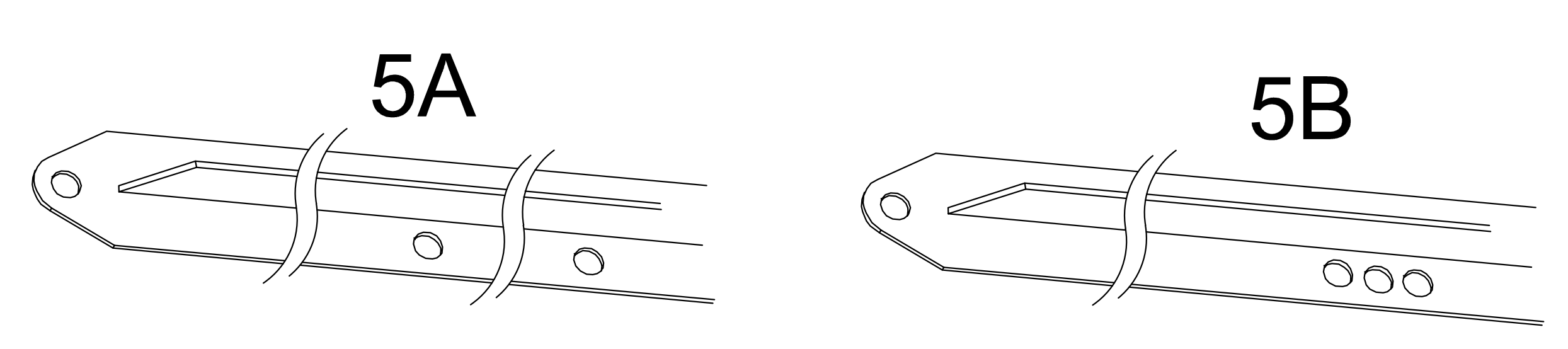
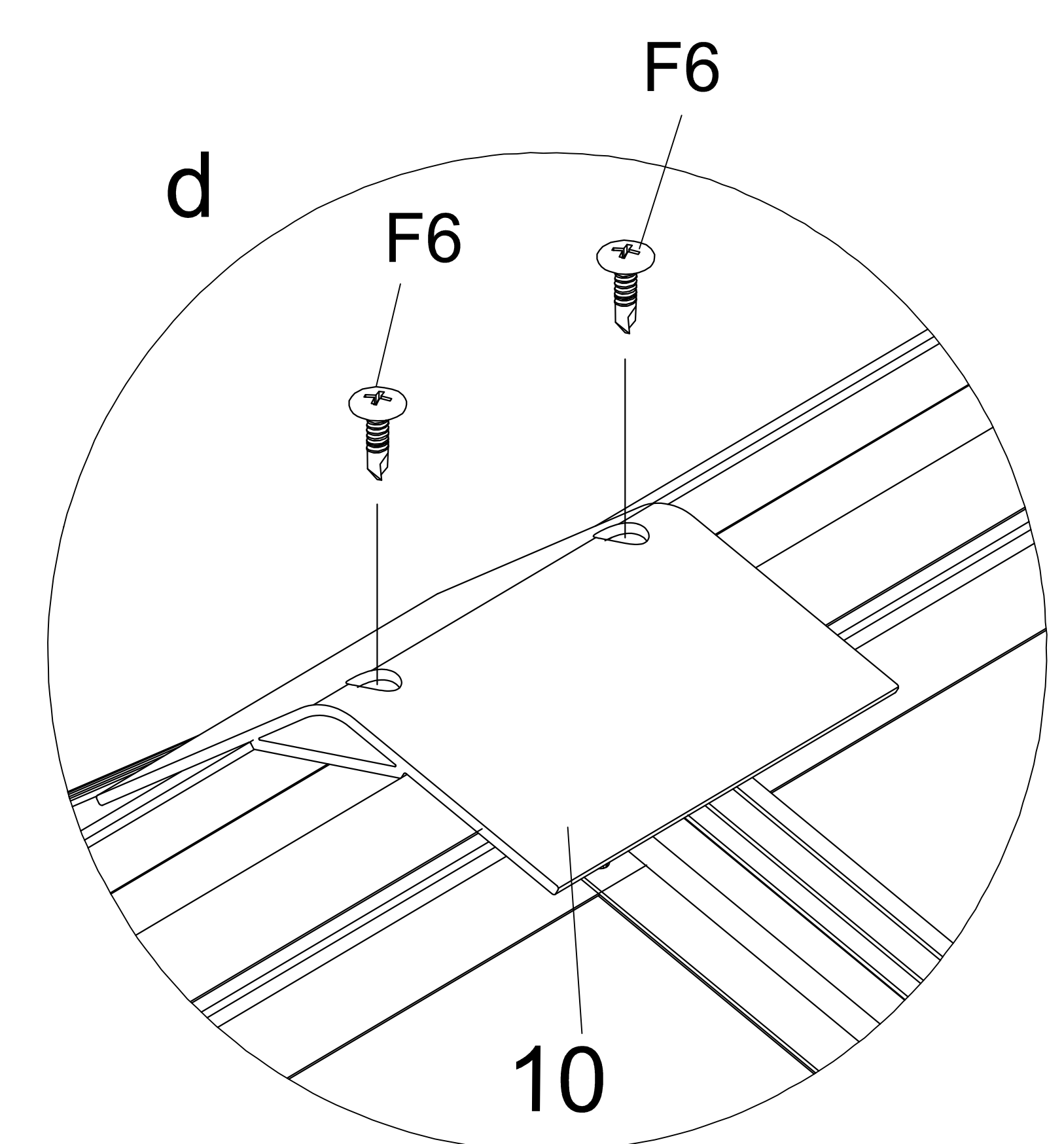
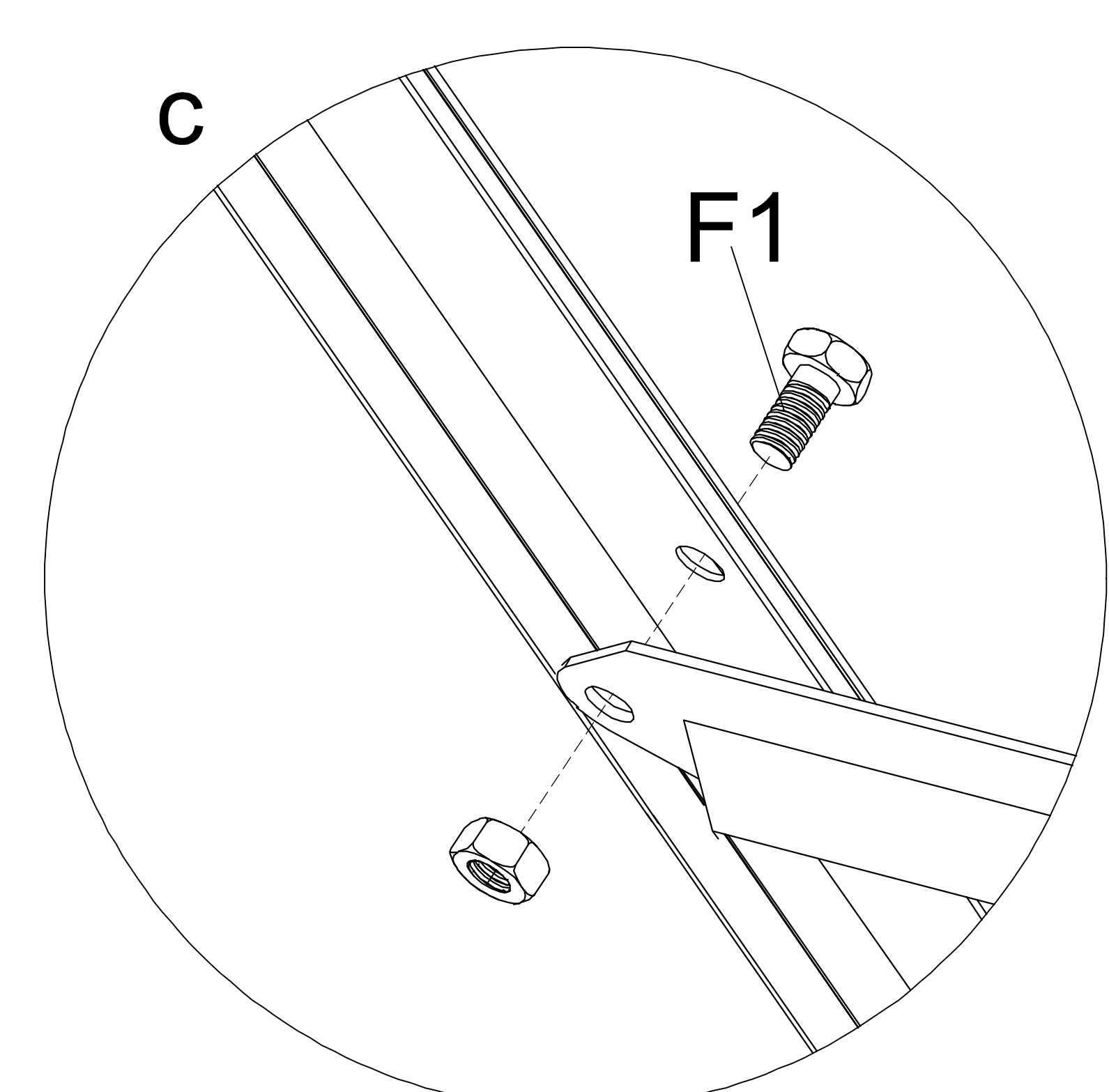
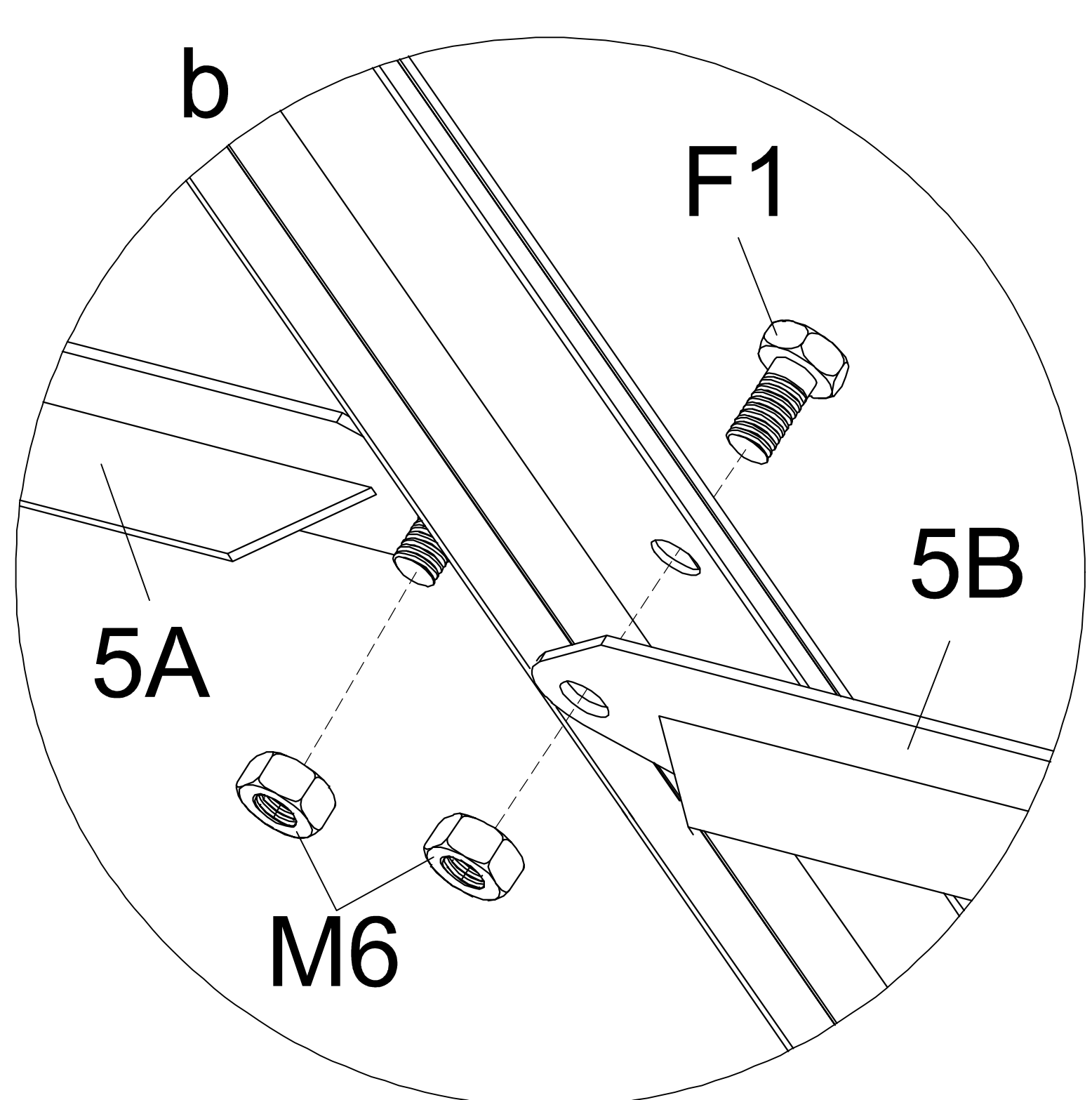


PART	NO	QTY
	5A	2
	5B	2
	11	3
	10	1
	F1 M6X12	8
	M6 M6	20
	F6 Ø4.2X13	2

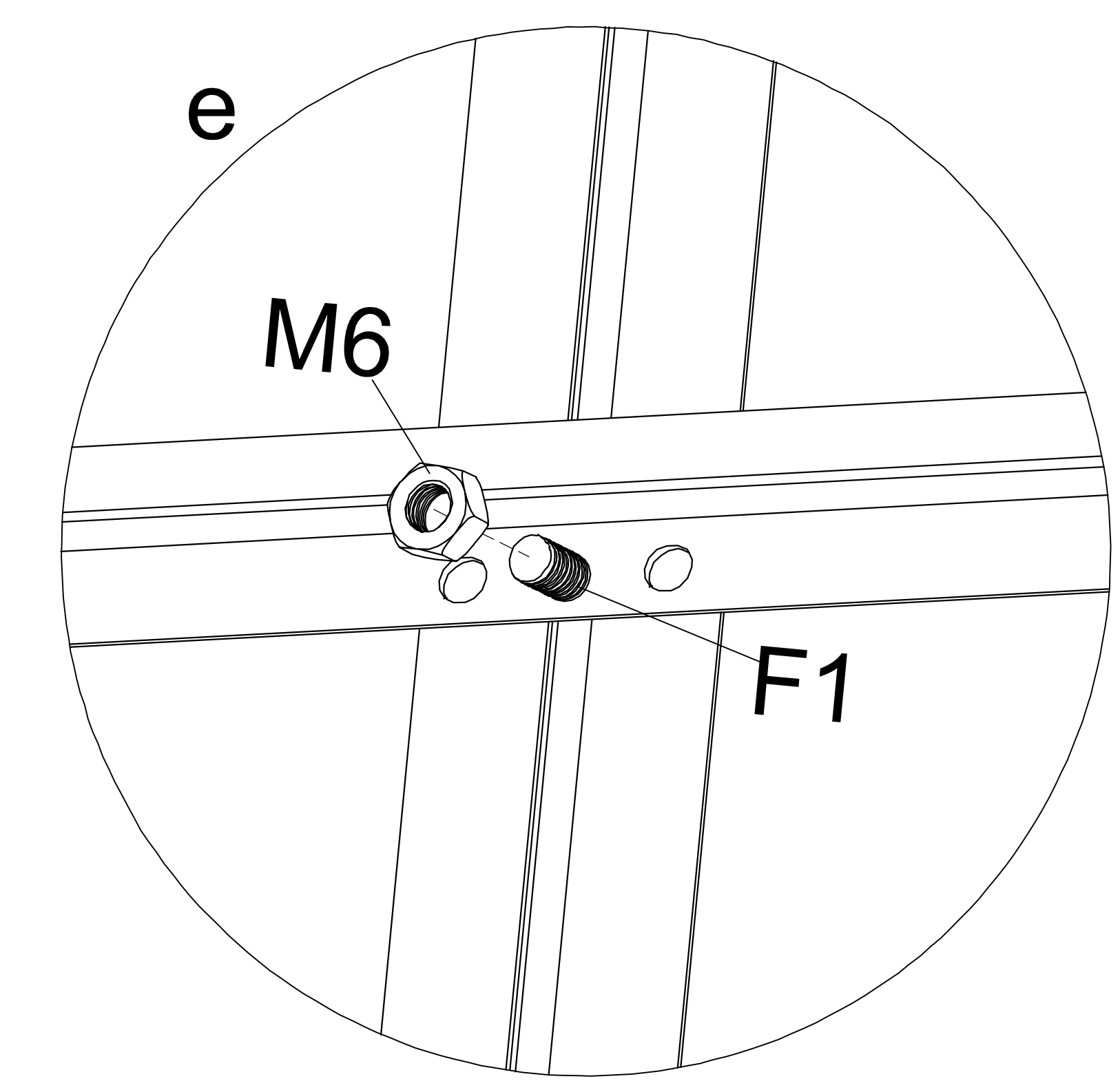
# Top Assembly



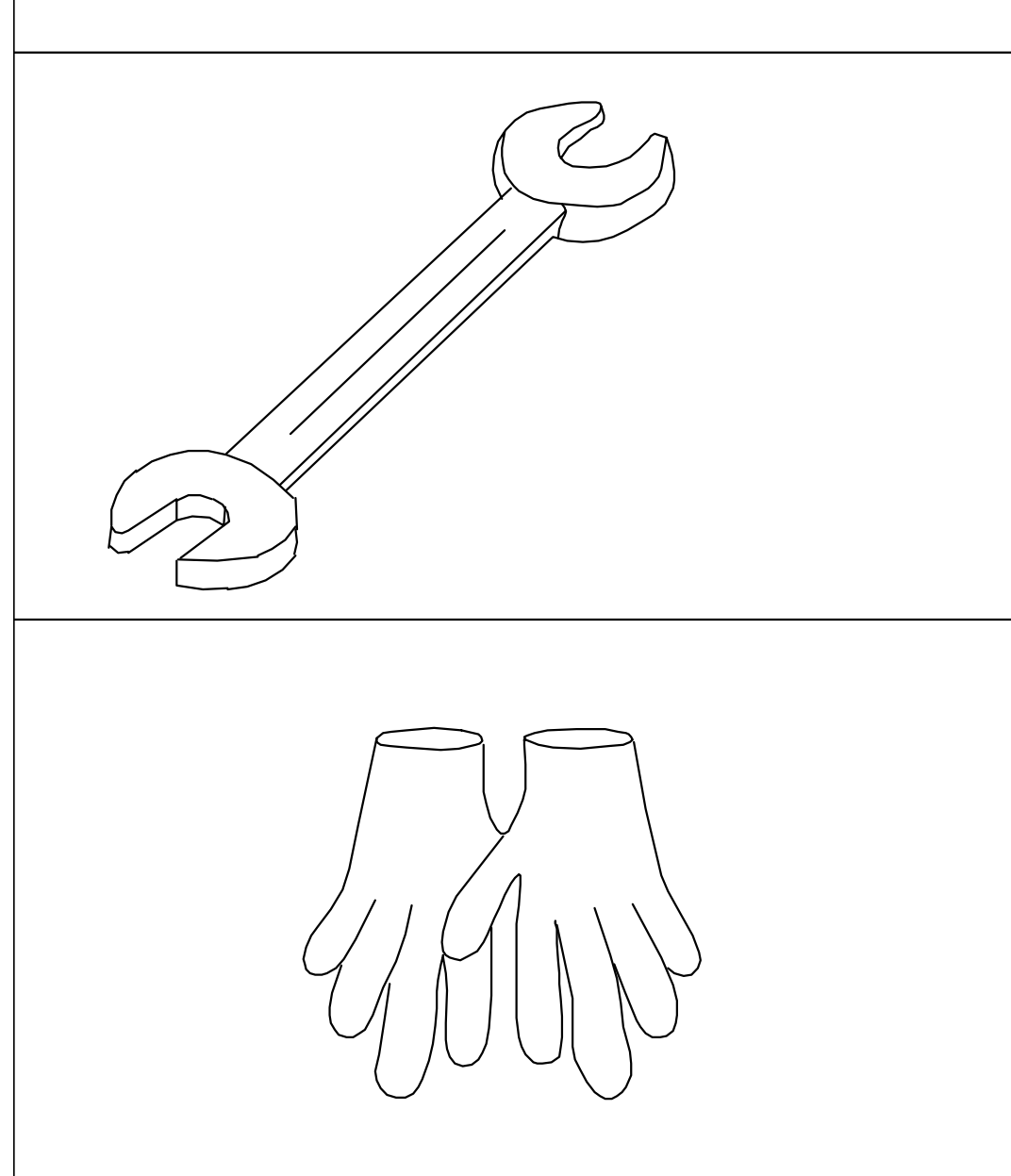
Bolt 11 (3 pcs) to 8B using the F1 bolt placed in the bolt channel earlier.



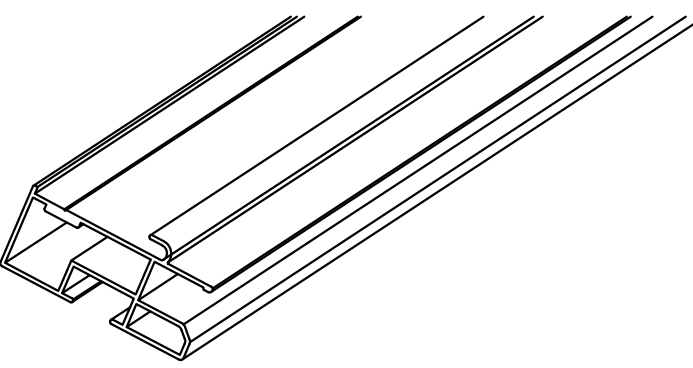
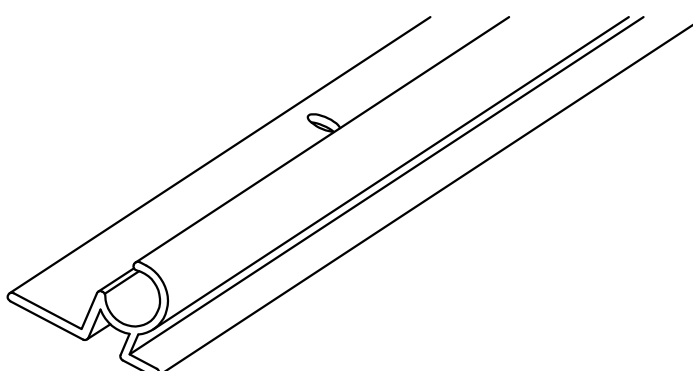
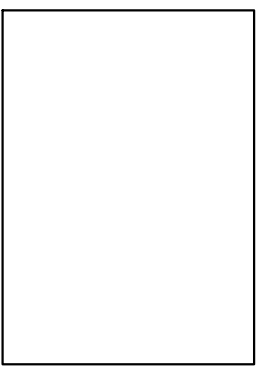
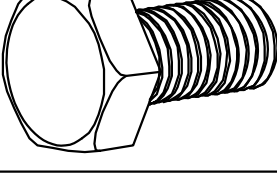
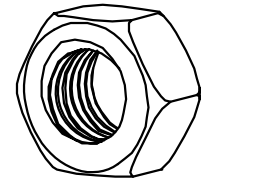
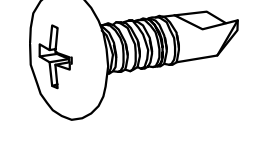
**!** Attention! Put the side with 2 holes of 5A facing downwards.  
Put the side with 3 holes of 5B facing downwards.

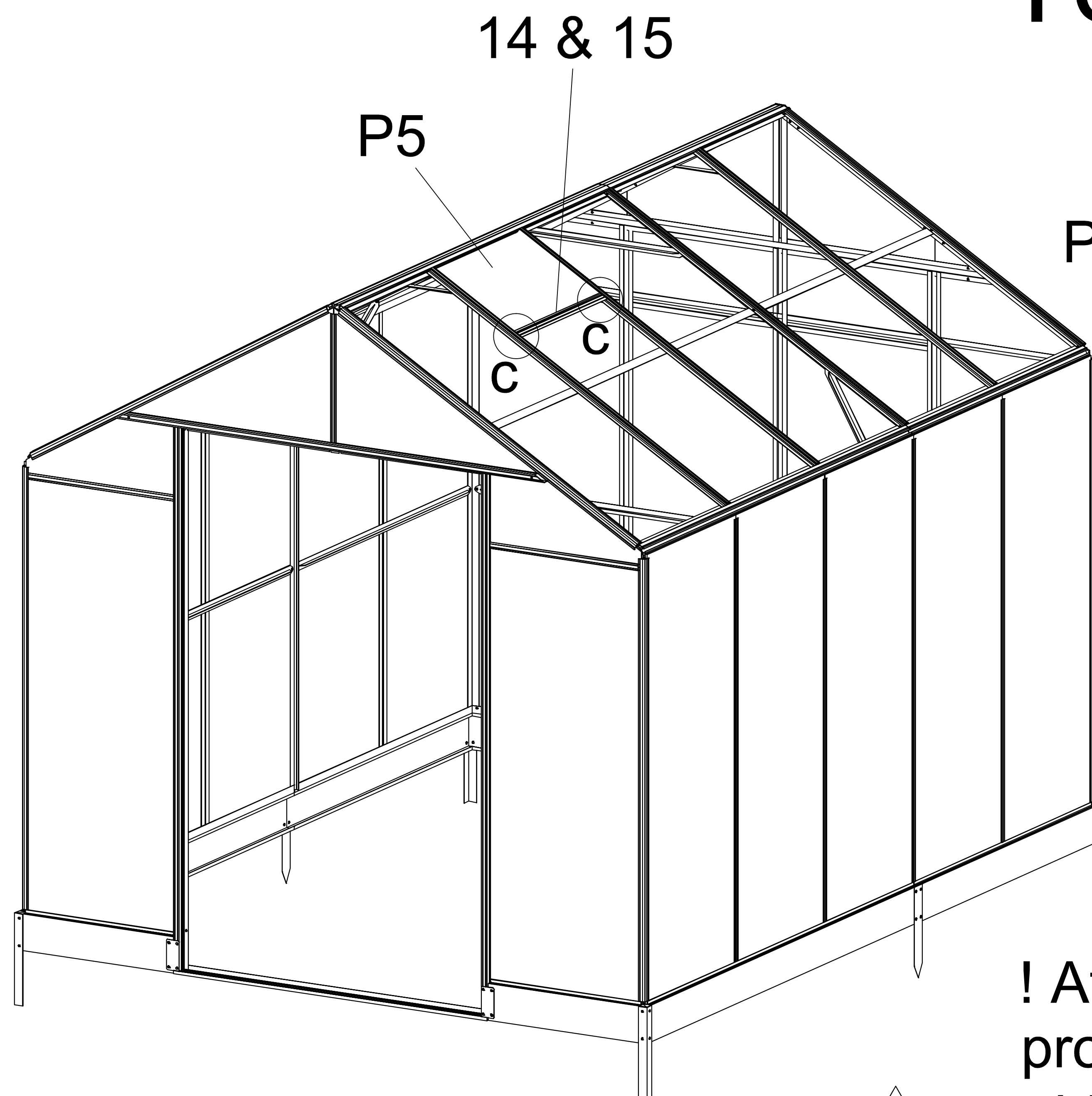


Bolt 5A & 5B to 8B using the F1 bolt placed in the bolt channel earlier.

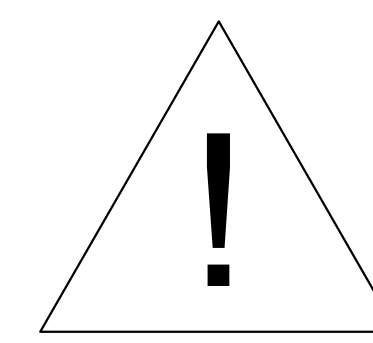


# Top Assembly

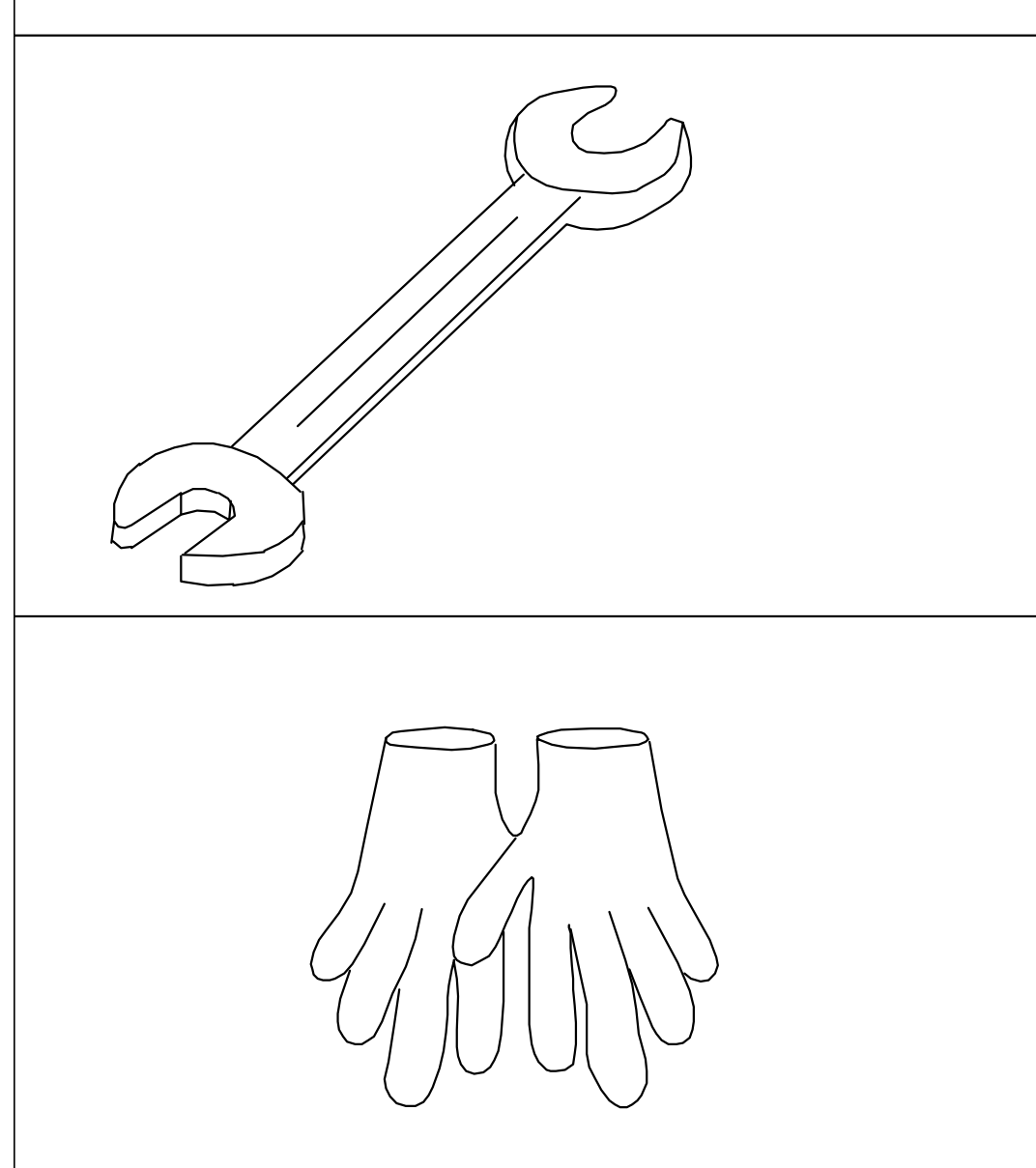
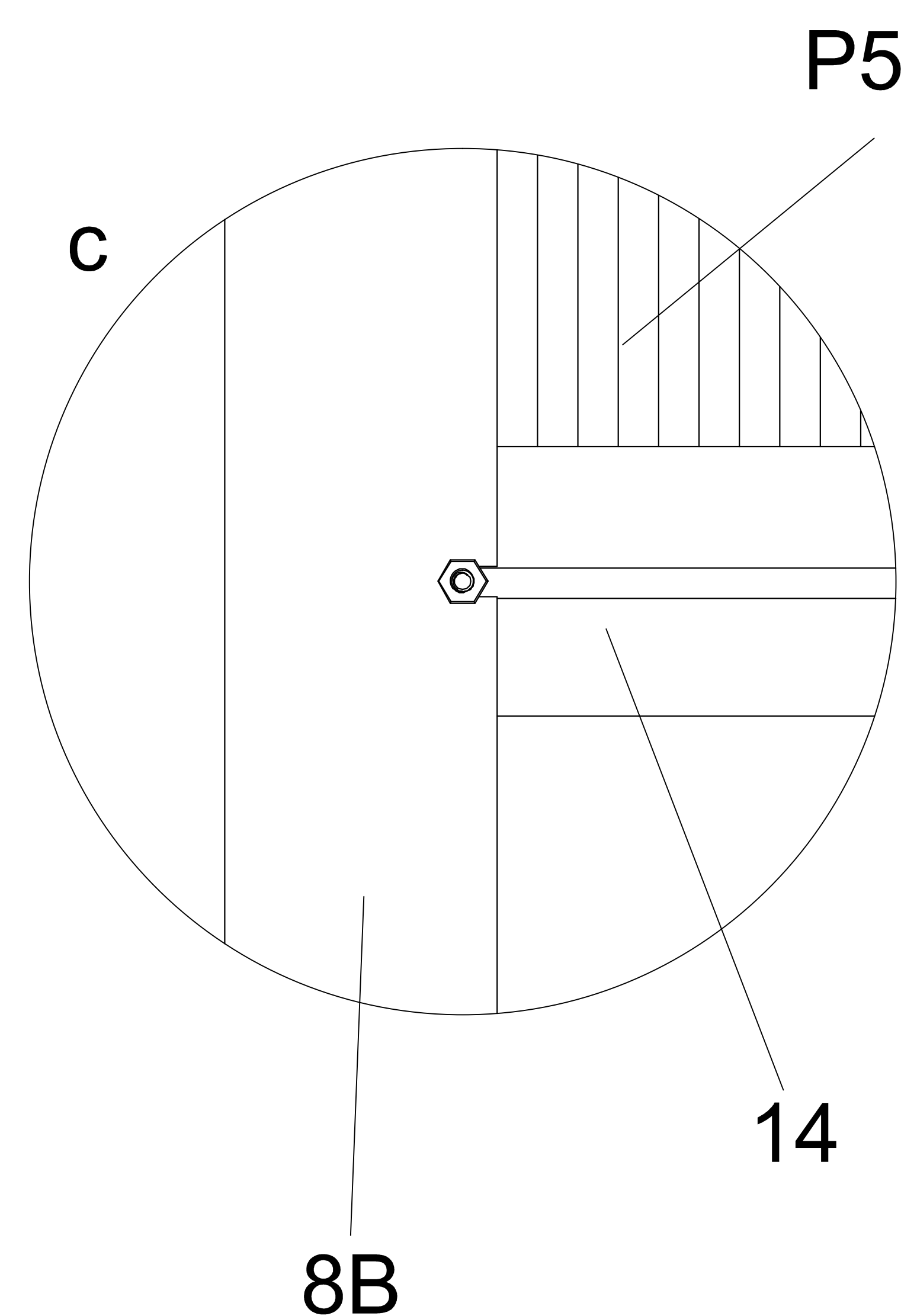
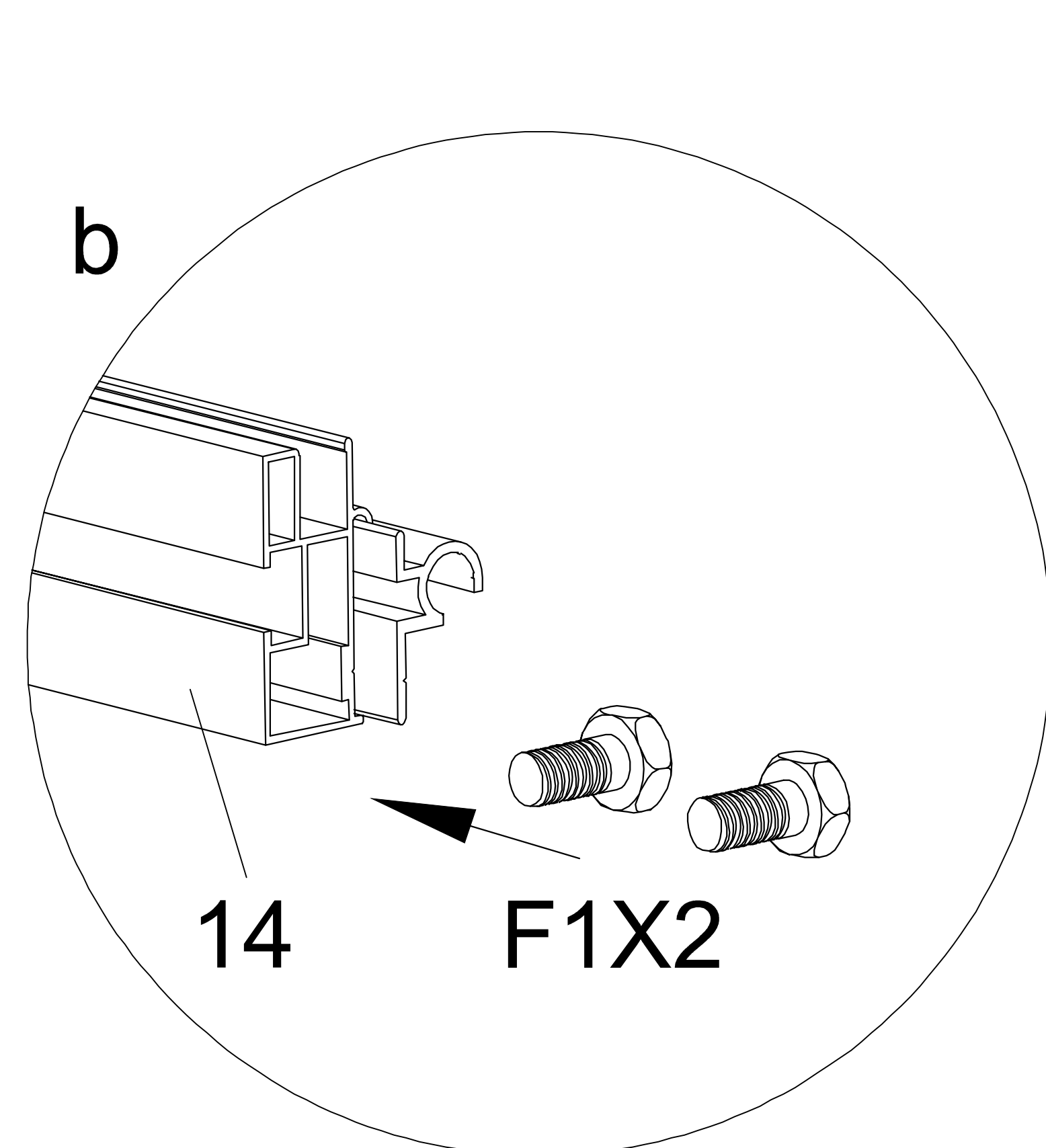
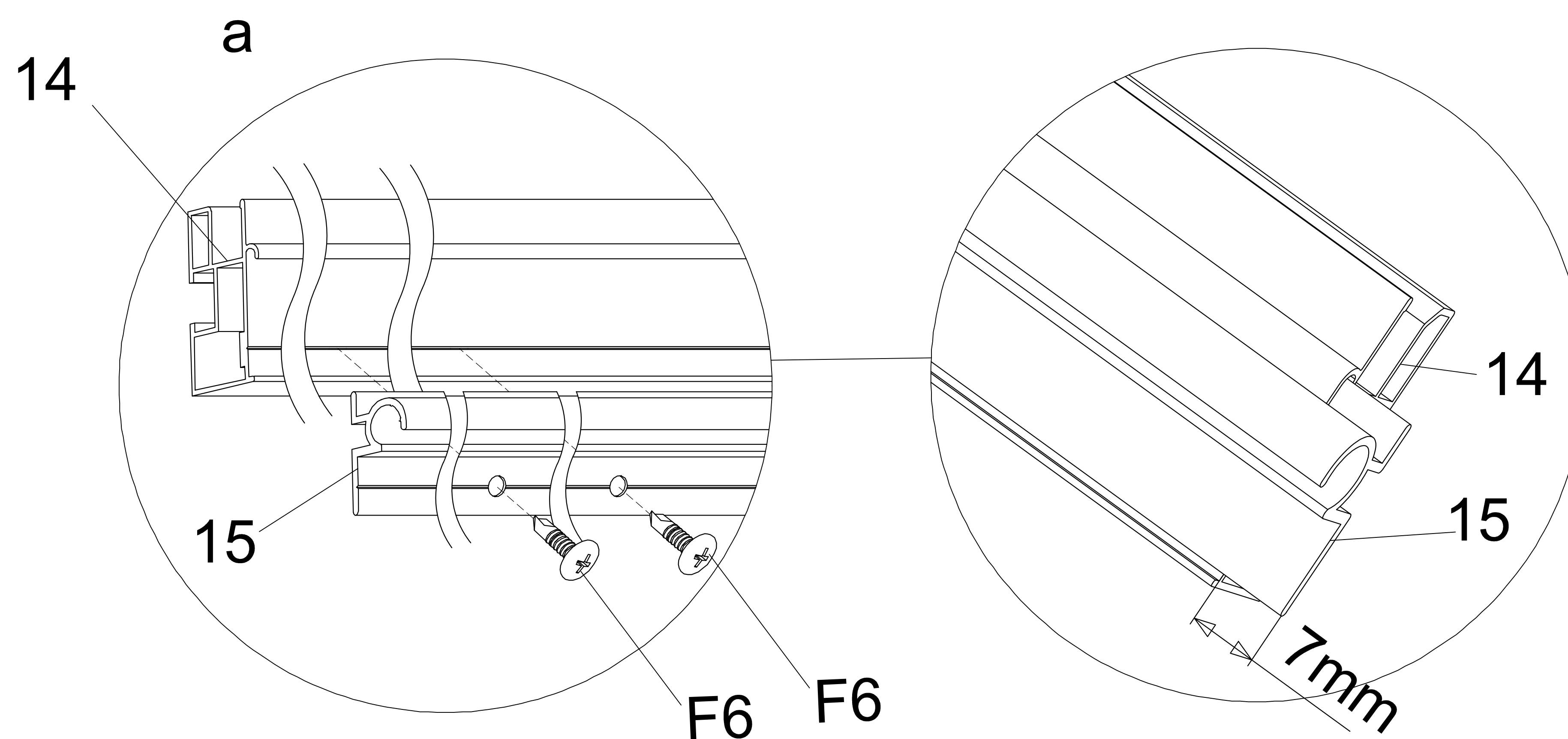
PART	NO	QTY
	14	2
	15	2
	P5	2
	F1 M6X12	4
	M6 M6	4
	F6 Ø4.2X13	4



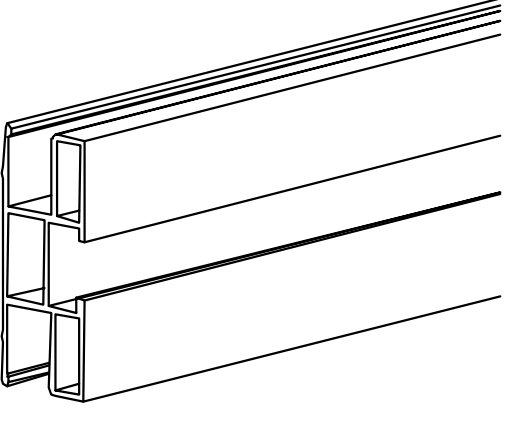
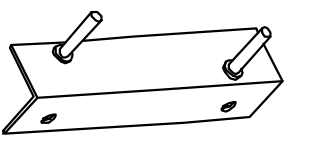
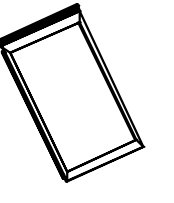
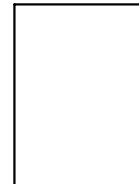
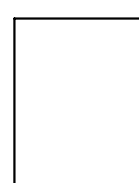
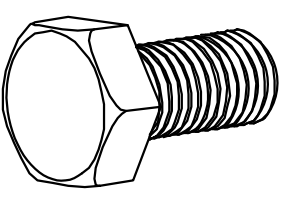
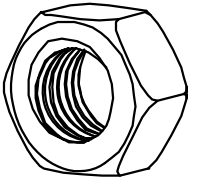
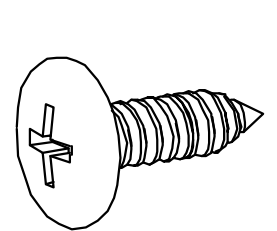
Put the panels into positions

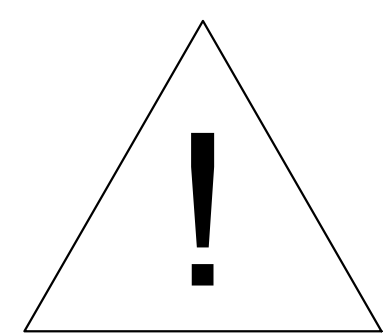
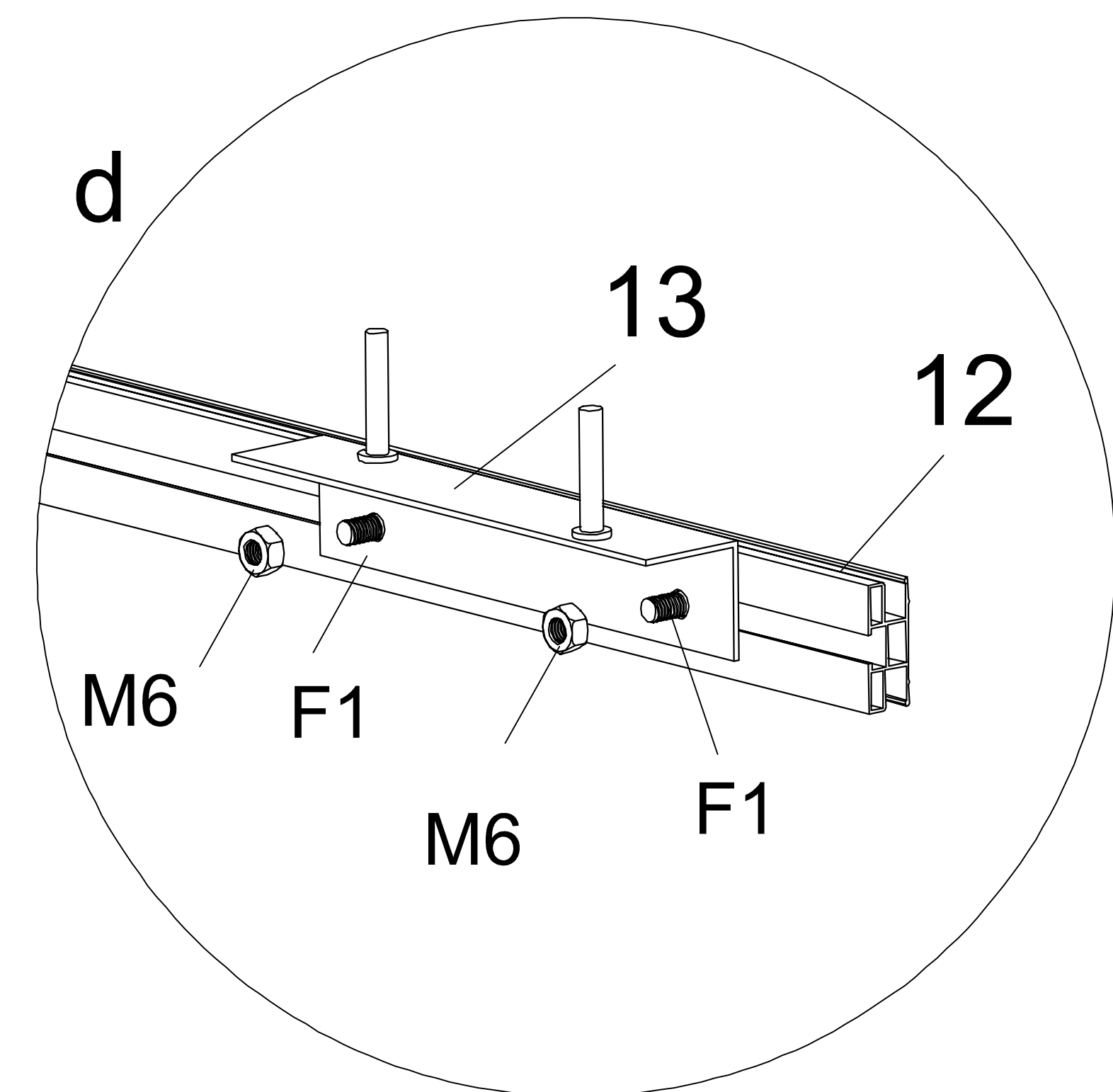
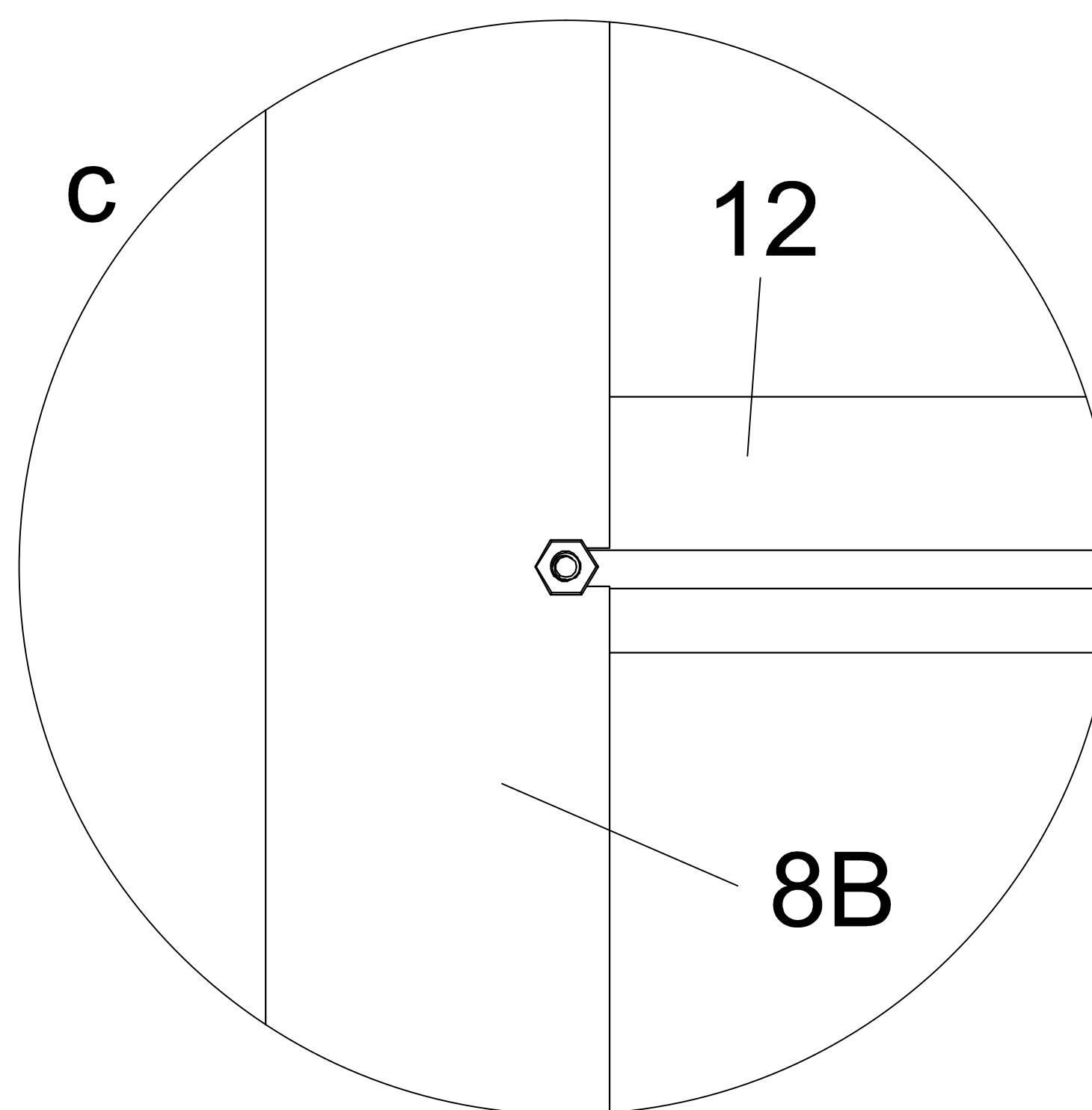
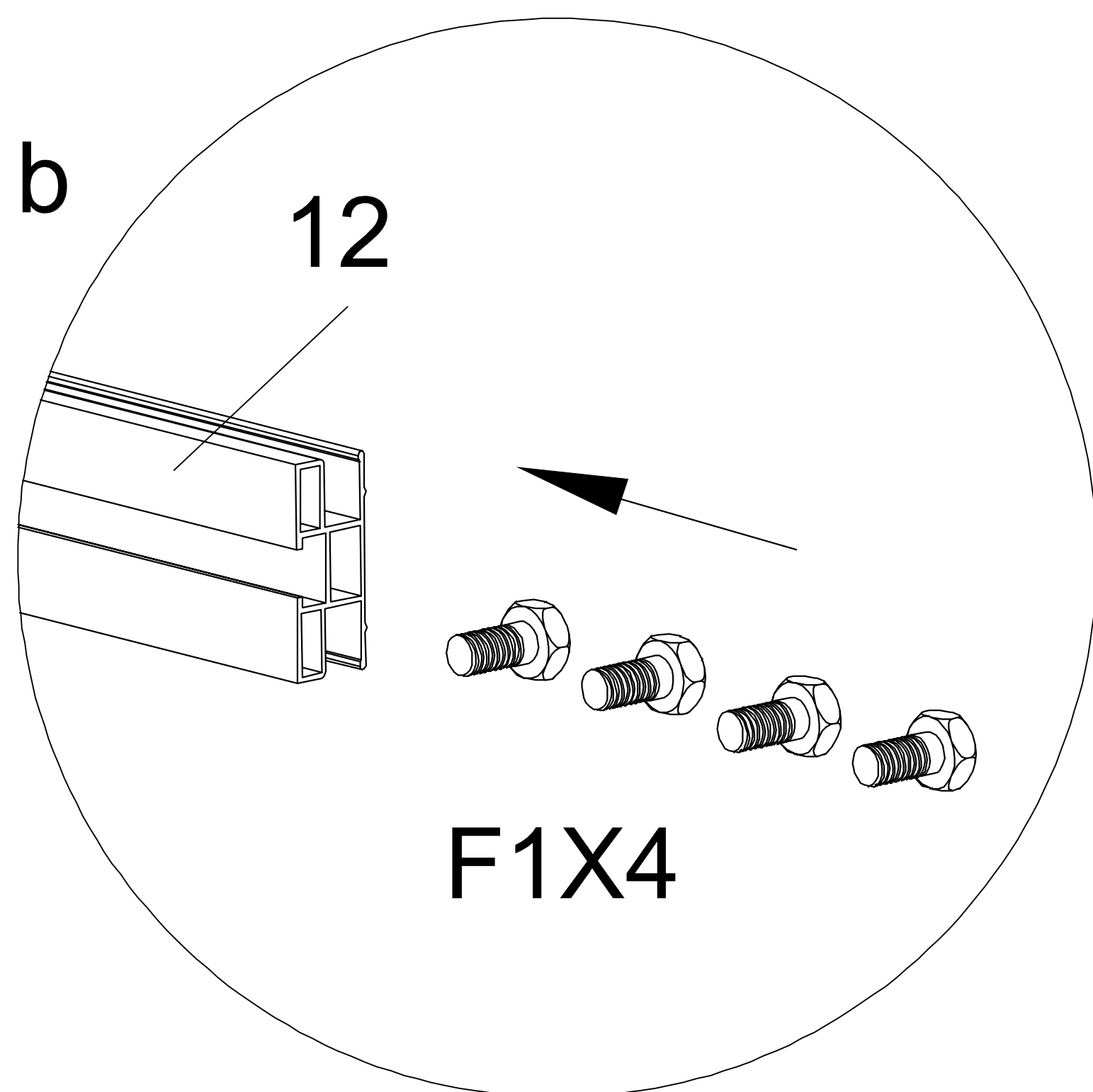
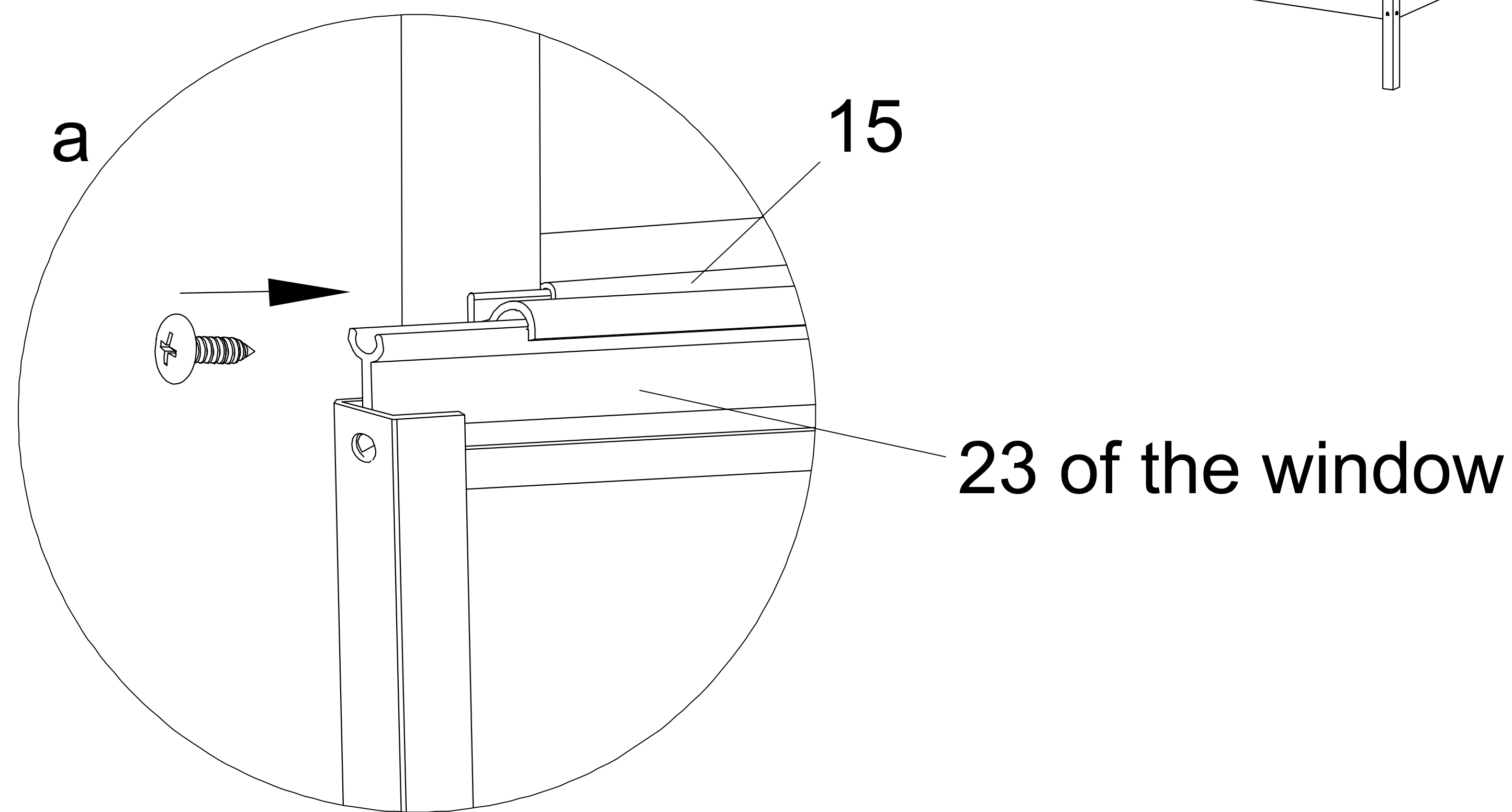
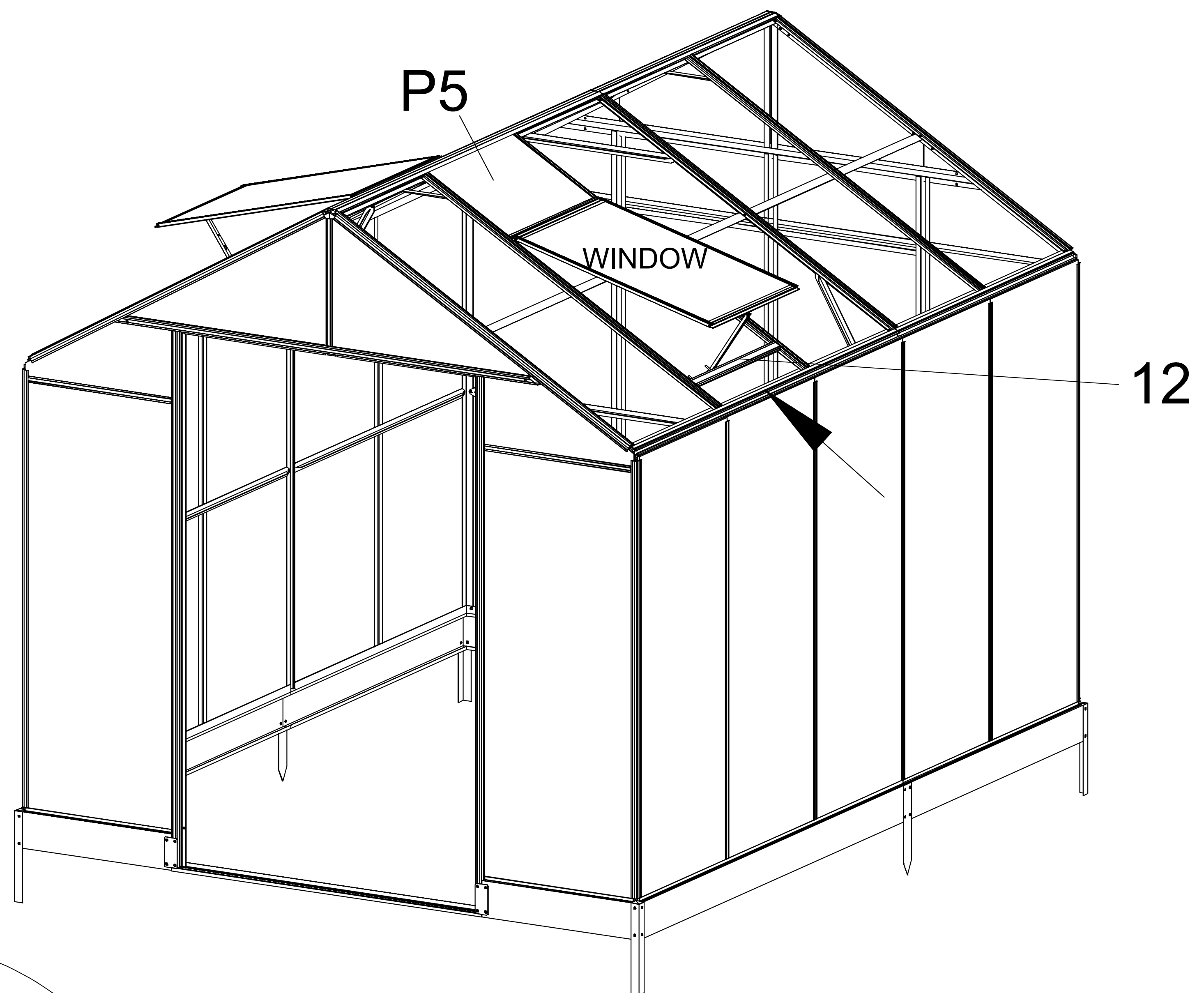


**! Attention:** Remove the protective films from both sides of each polycarbonate panel, before inserting into aluminum channels. Ensure the milky white film faces towards the Sun.

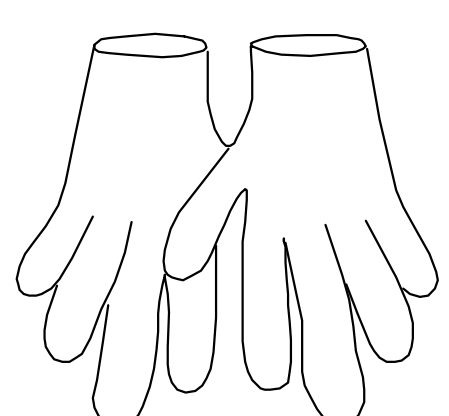
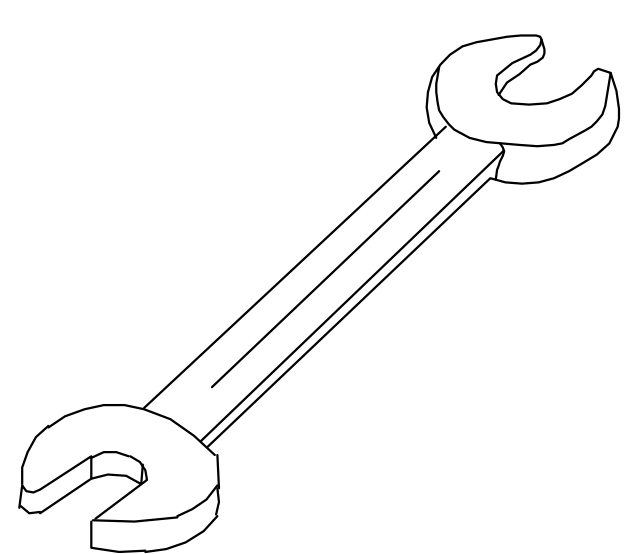
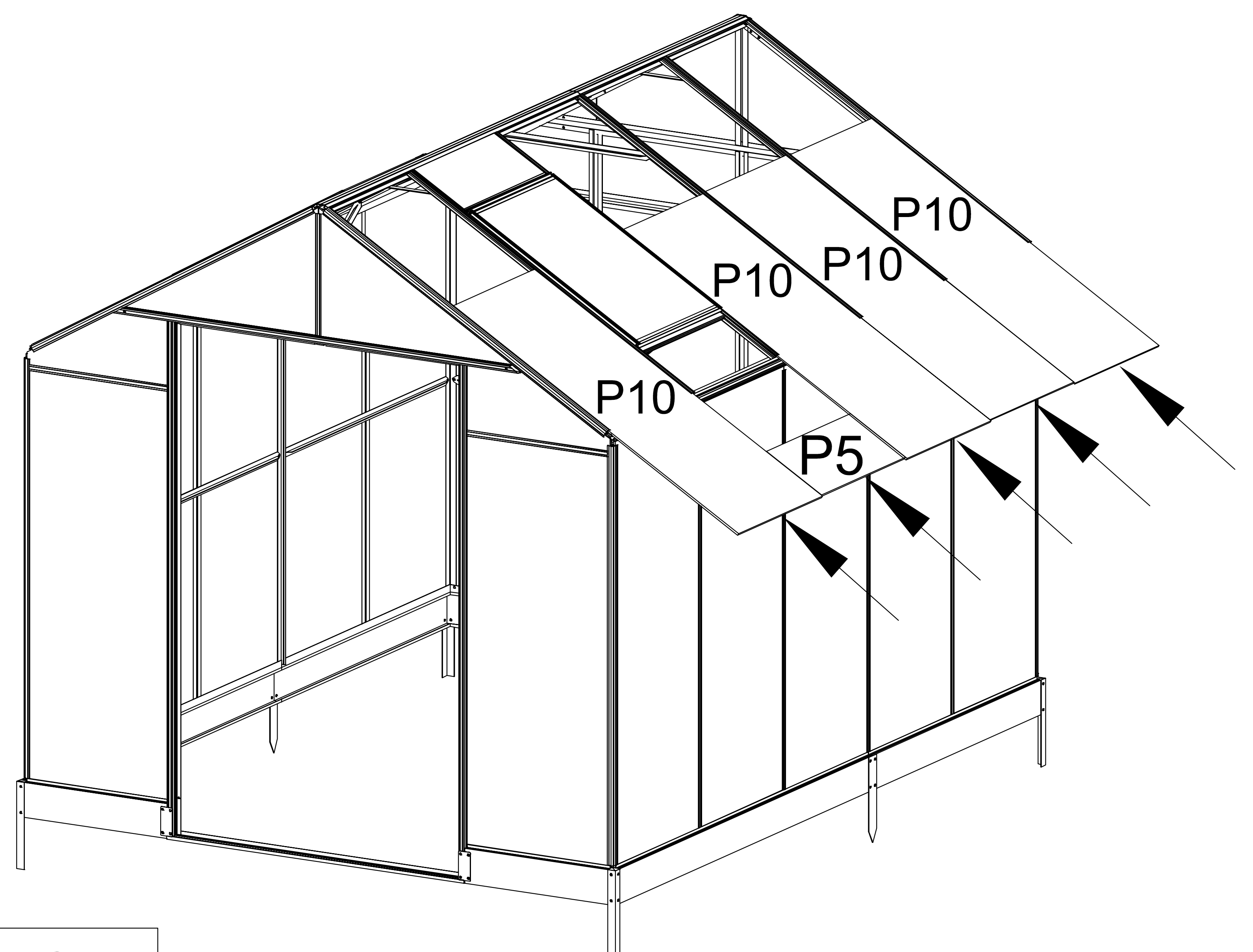


# Top Assembly

PART	NO	QTY
	12	2
	13	2
	WINDOW	2
	P10	8
	P5	2
	F1 M6X12	8
	M6 M6	8
	F4 Ø4.2X10	4

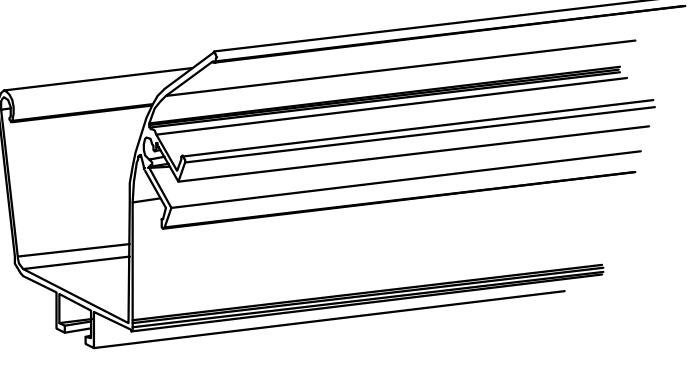
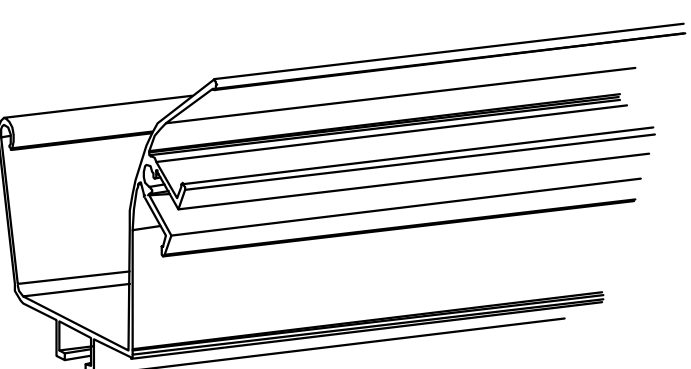
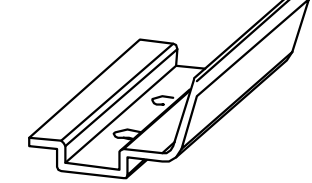
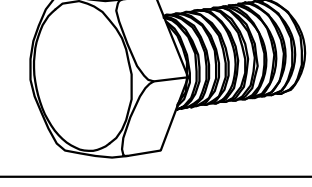
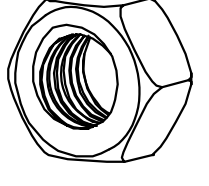


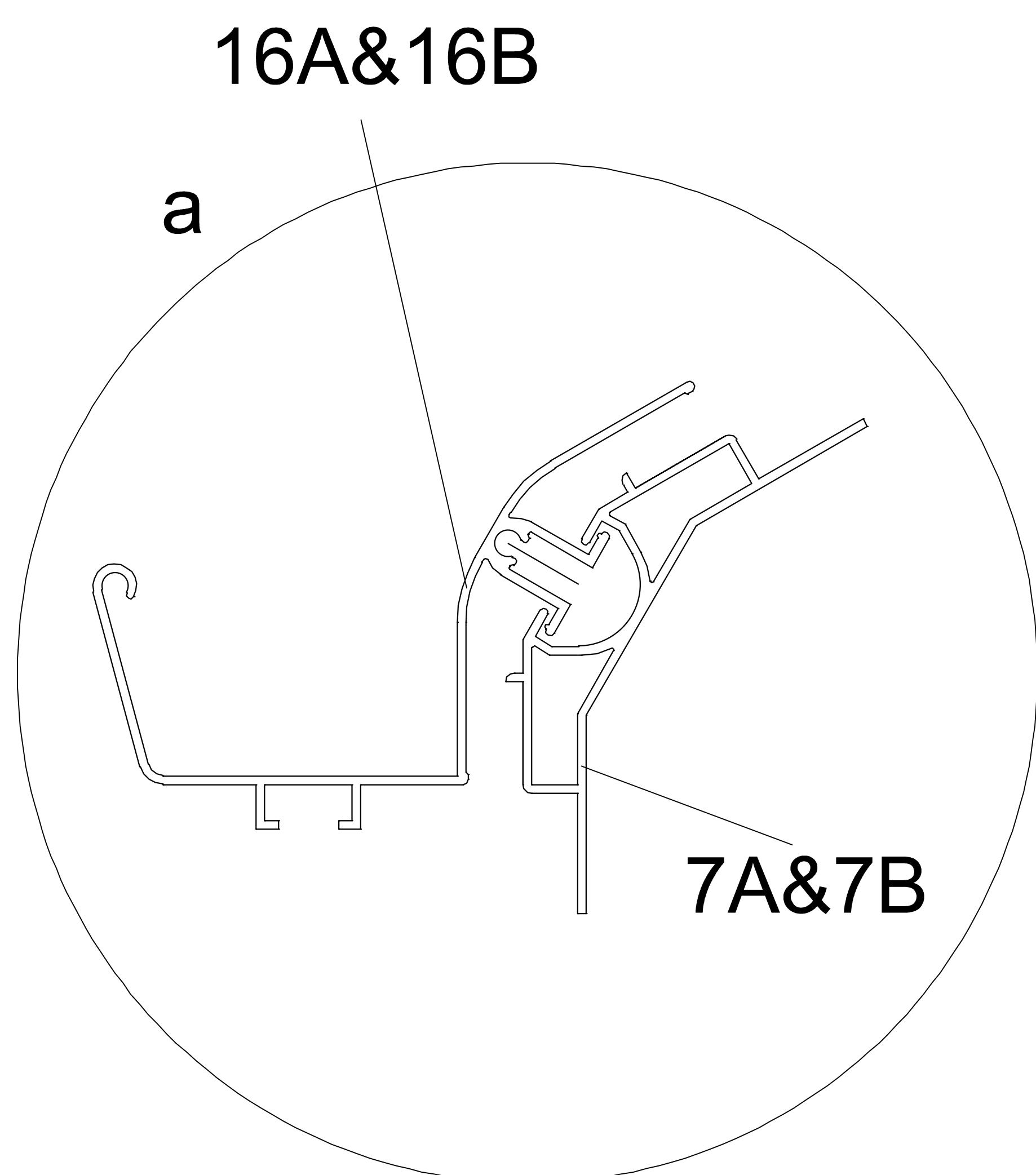
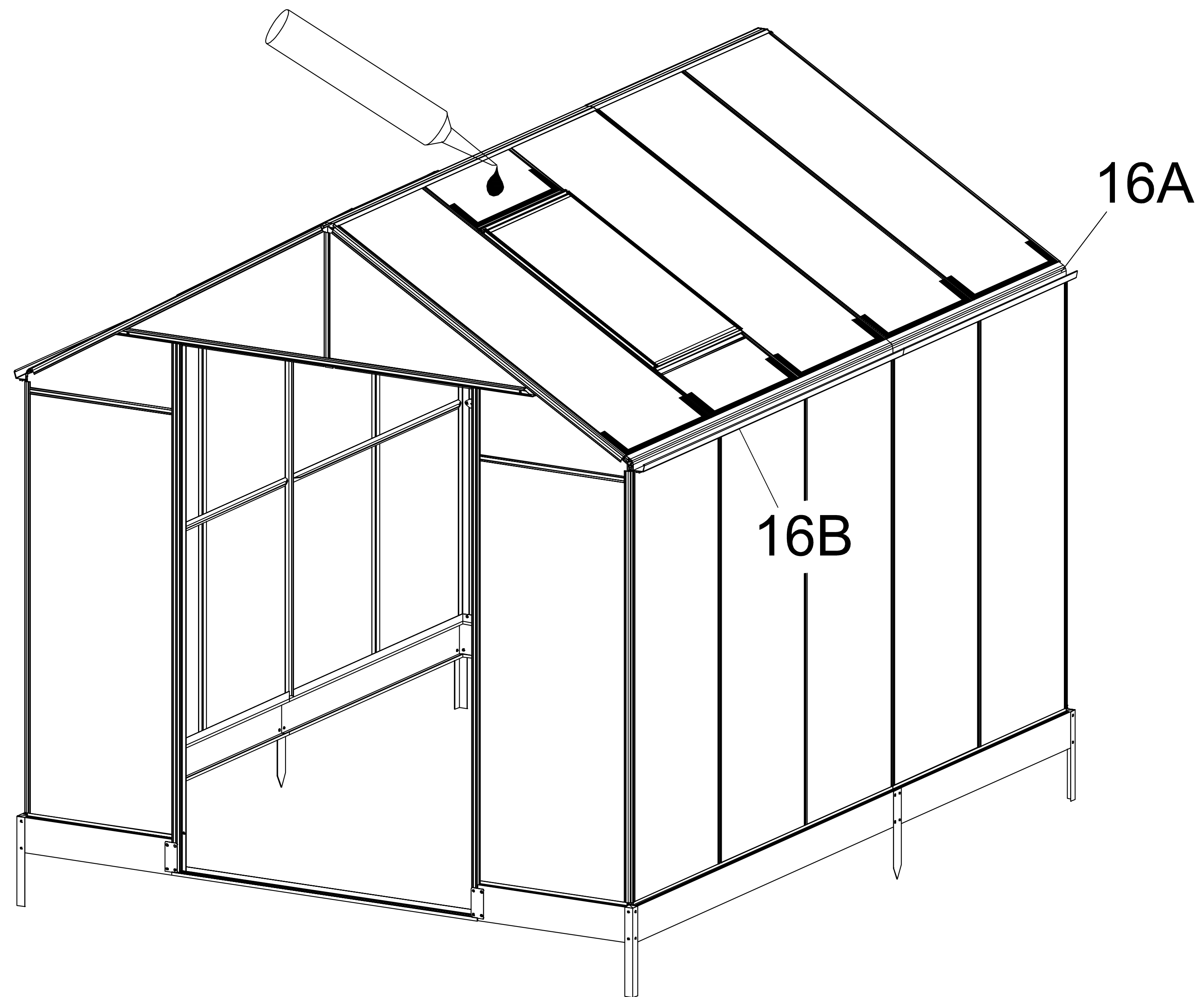
**! Attention:** Remove the protective films from both sides of each polycarbonate panel, before inserting into aluminum channels. Ensure the milky white film faces towards the Sun.



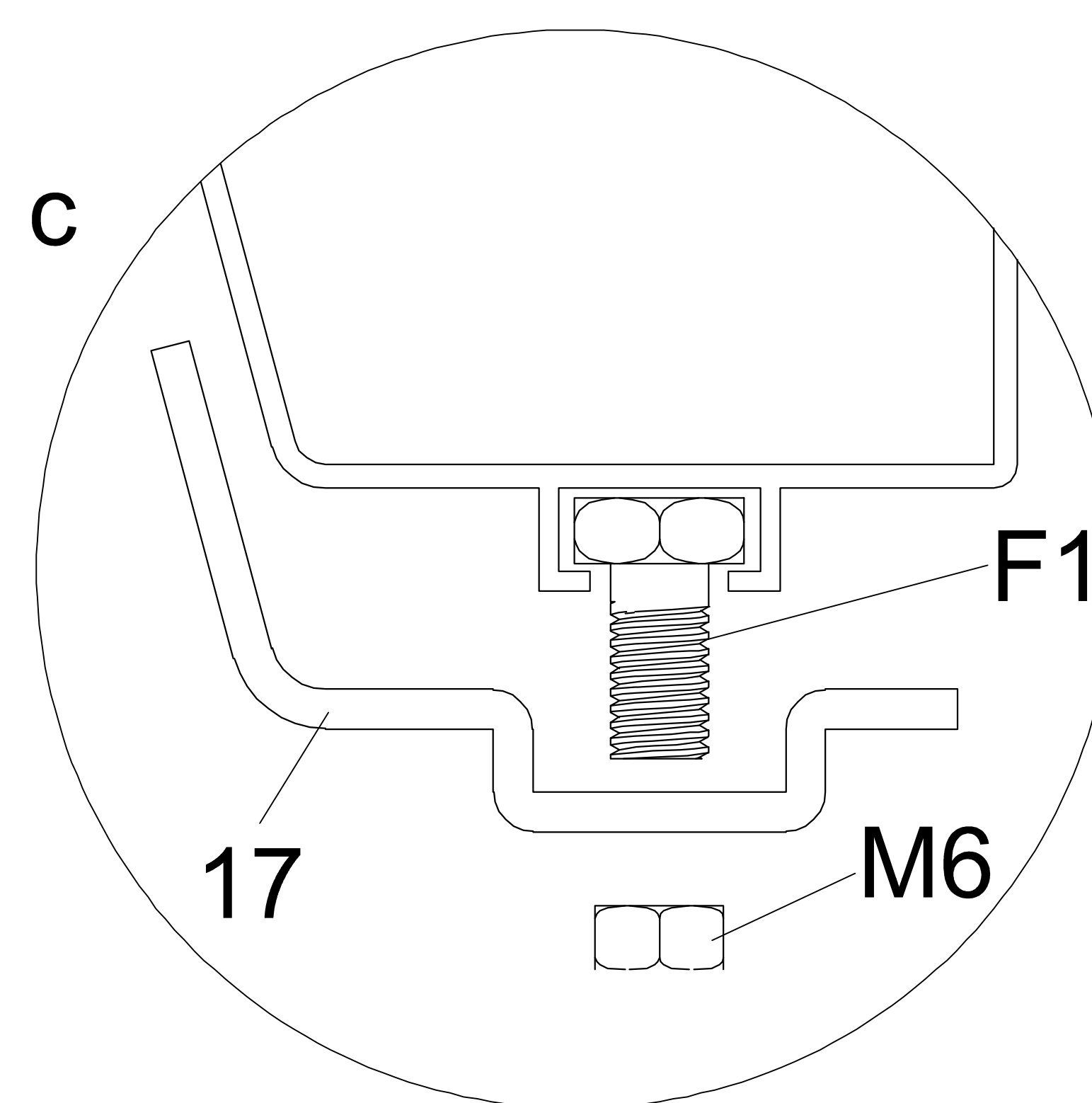
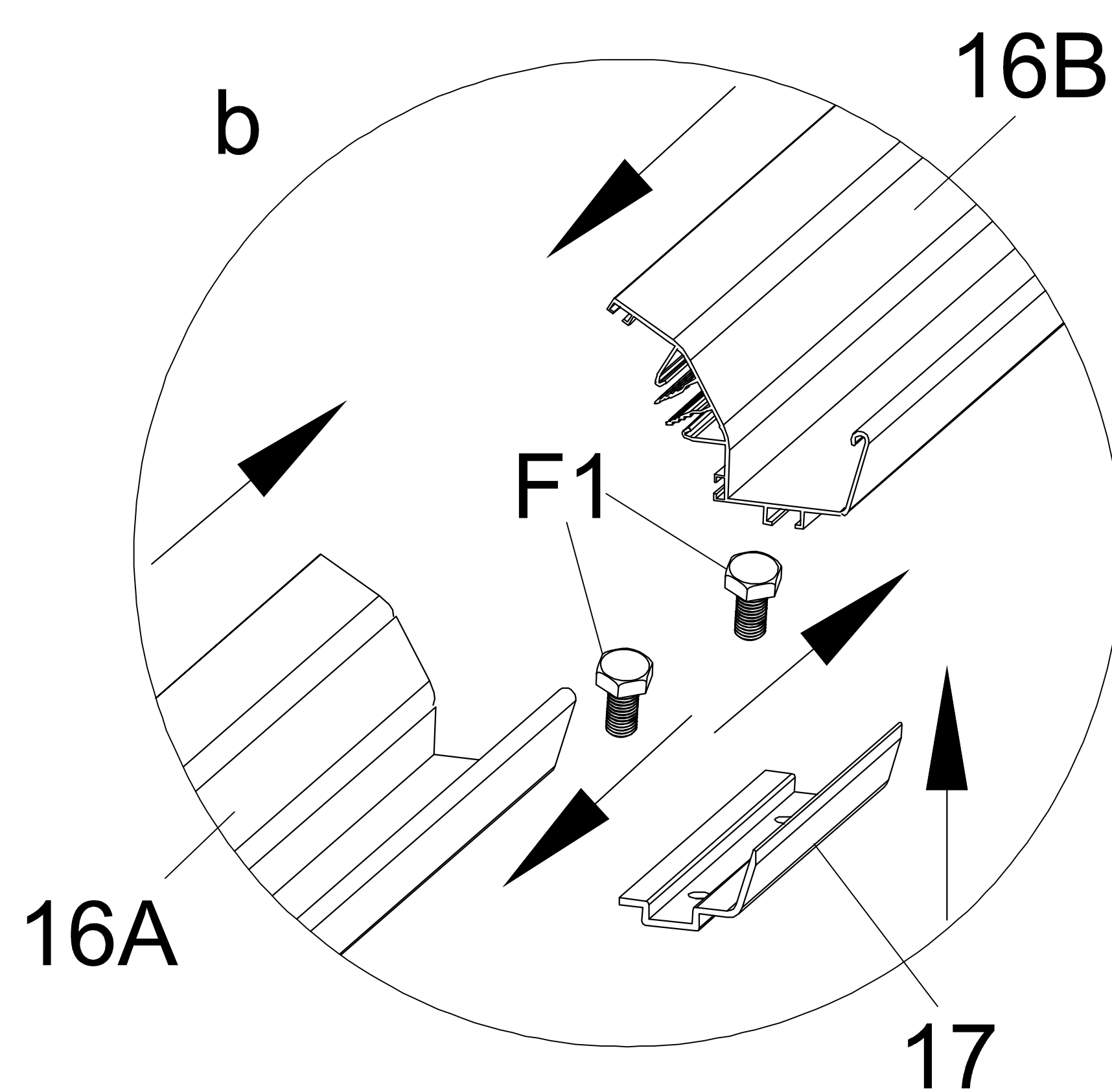
# Top Assembly

After the panels and windows are in position,  
put some silicone sealant around to avoid leaking water.

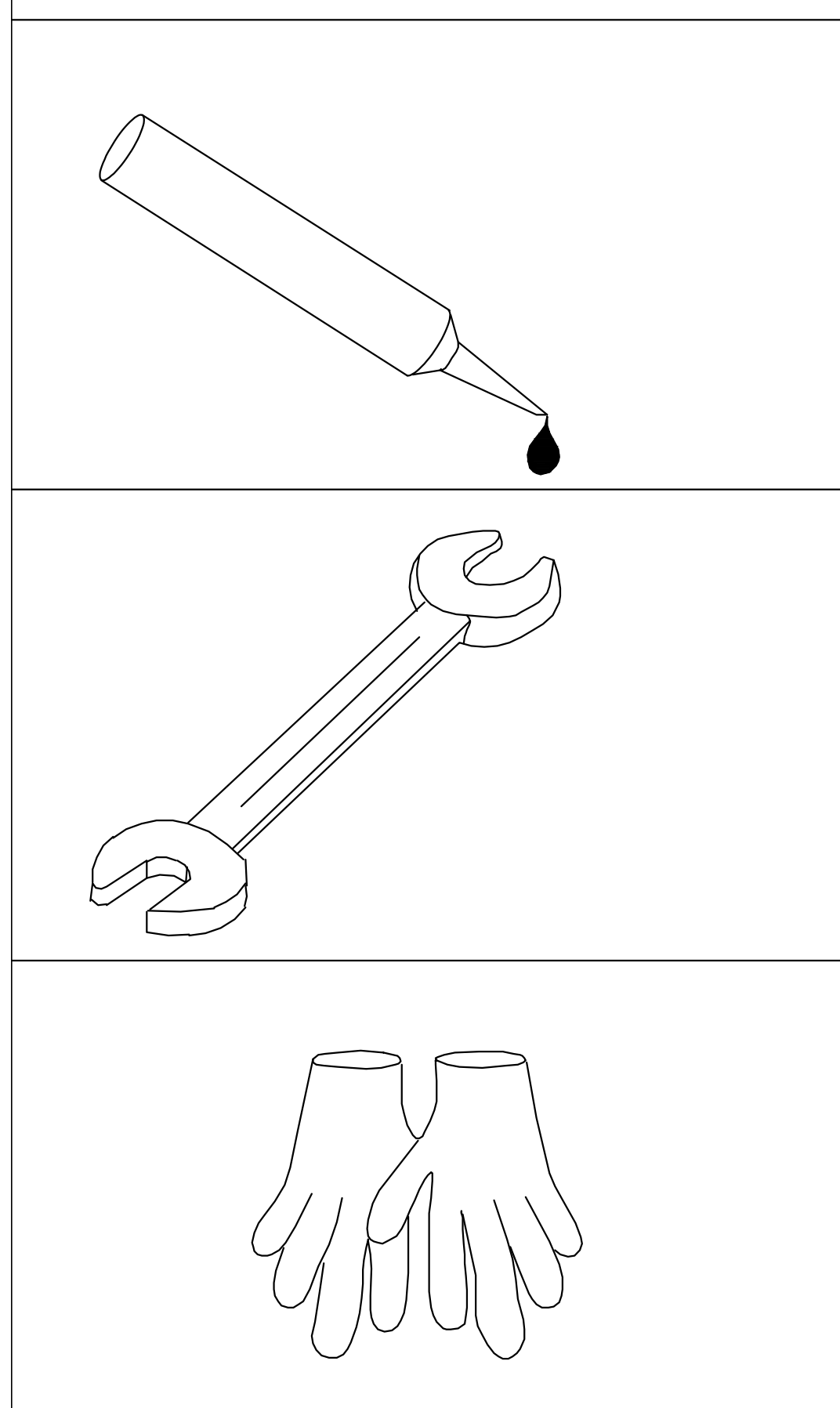
PART	NO	QTY
	16A	2
	16B	2
	17	2
	F1 M6X12	4
	M6 M6	4



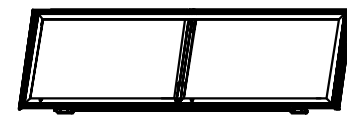
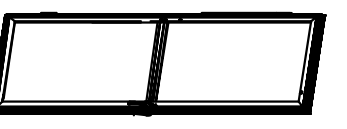
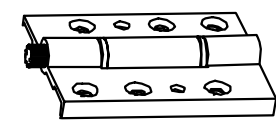
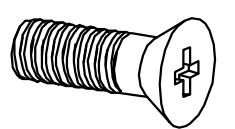
When the panels are completely  
inserted, fix gutter profile 16A & 16B  
Tap it gently into position  
with a rubber mallet.

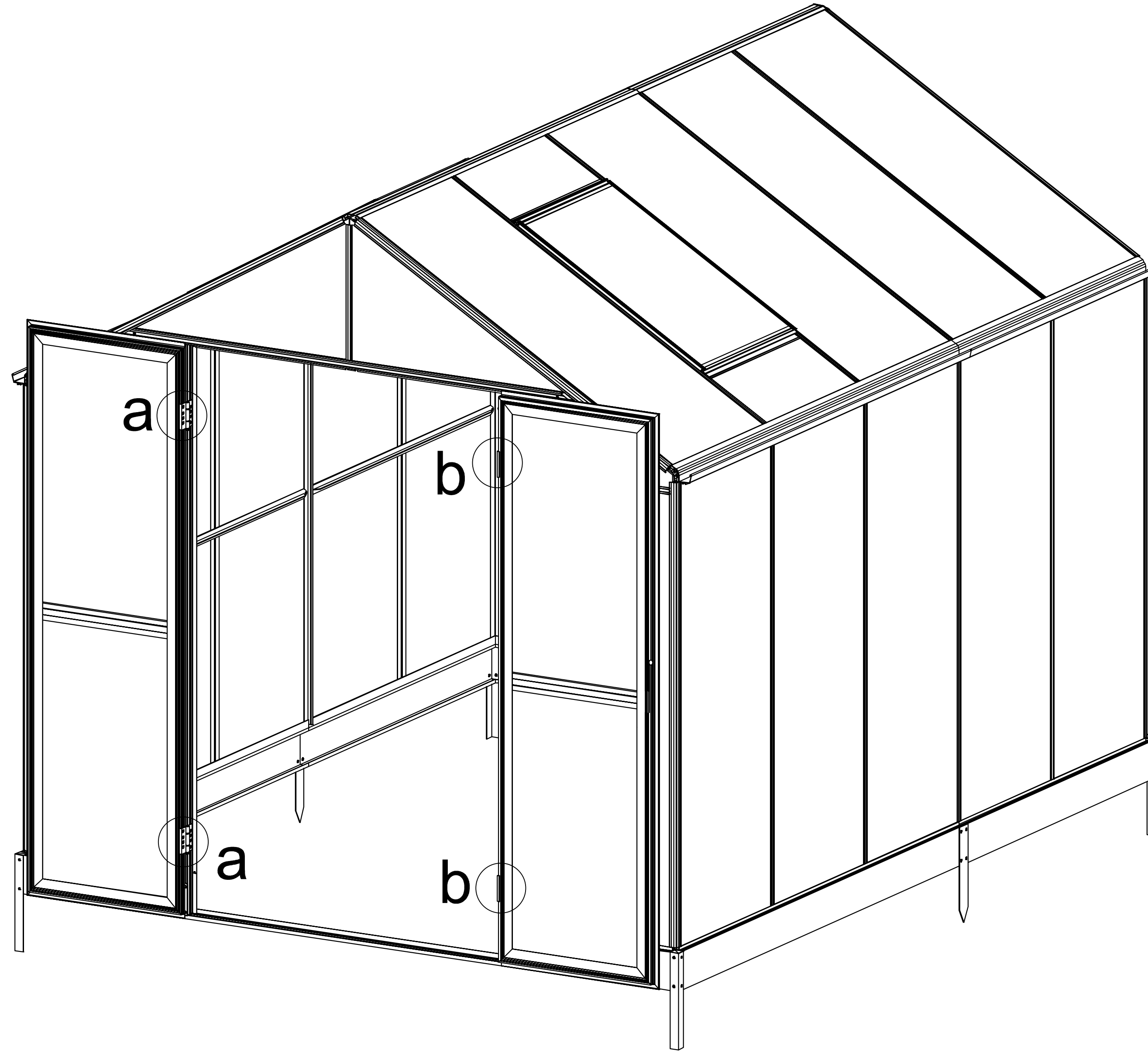


Slide F1 into the bolt channel of both 16A & 16B,  
fix 17 to 16A & 16B using F1 & M6.

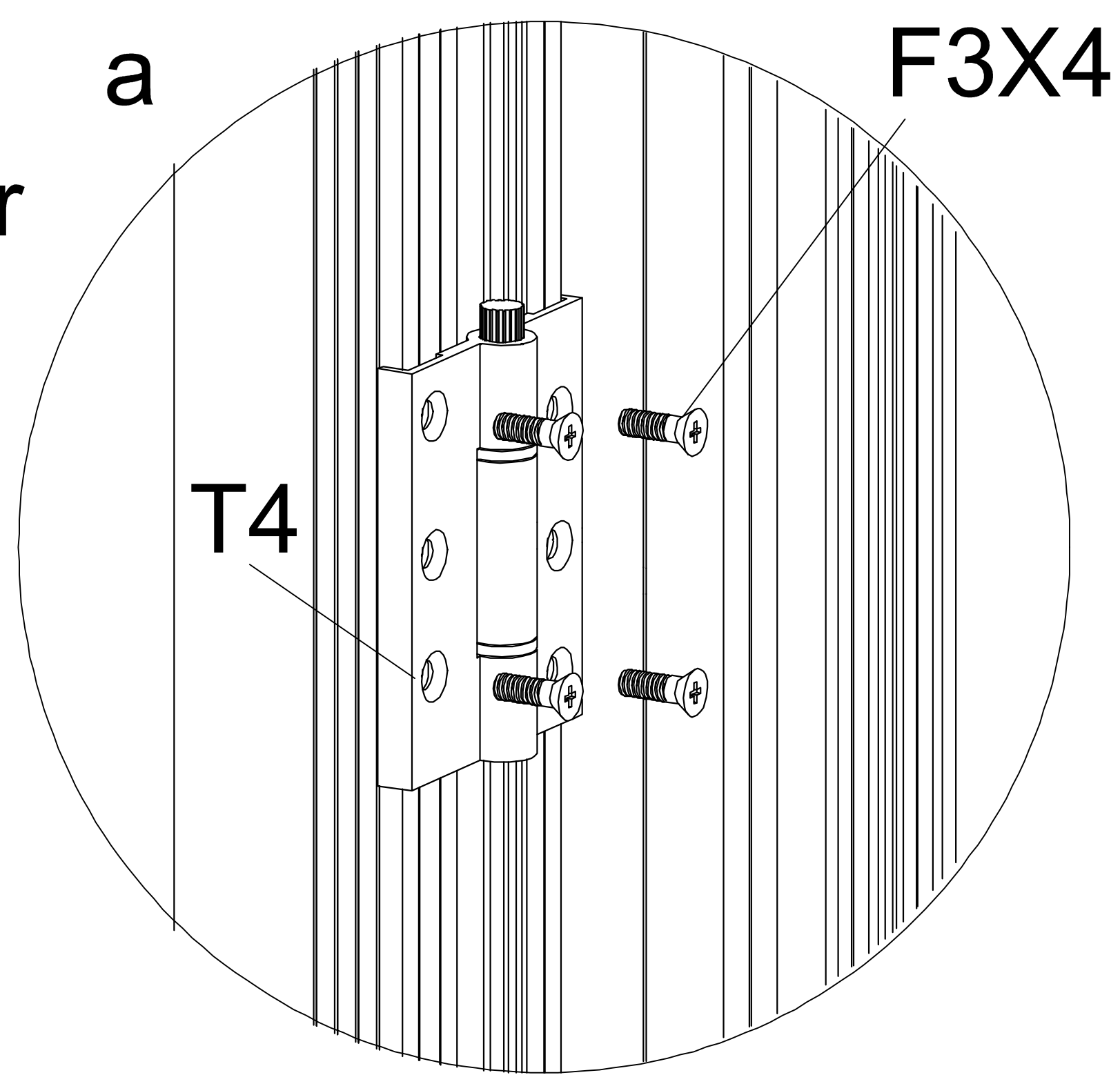


# Door Assembly

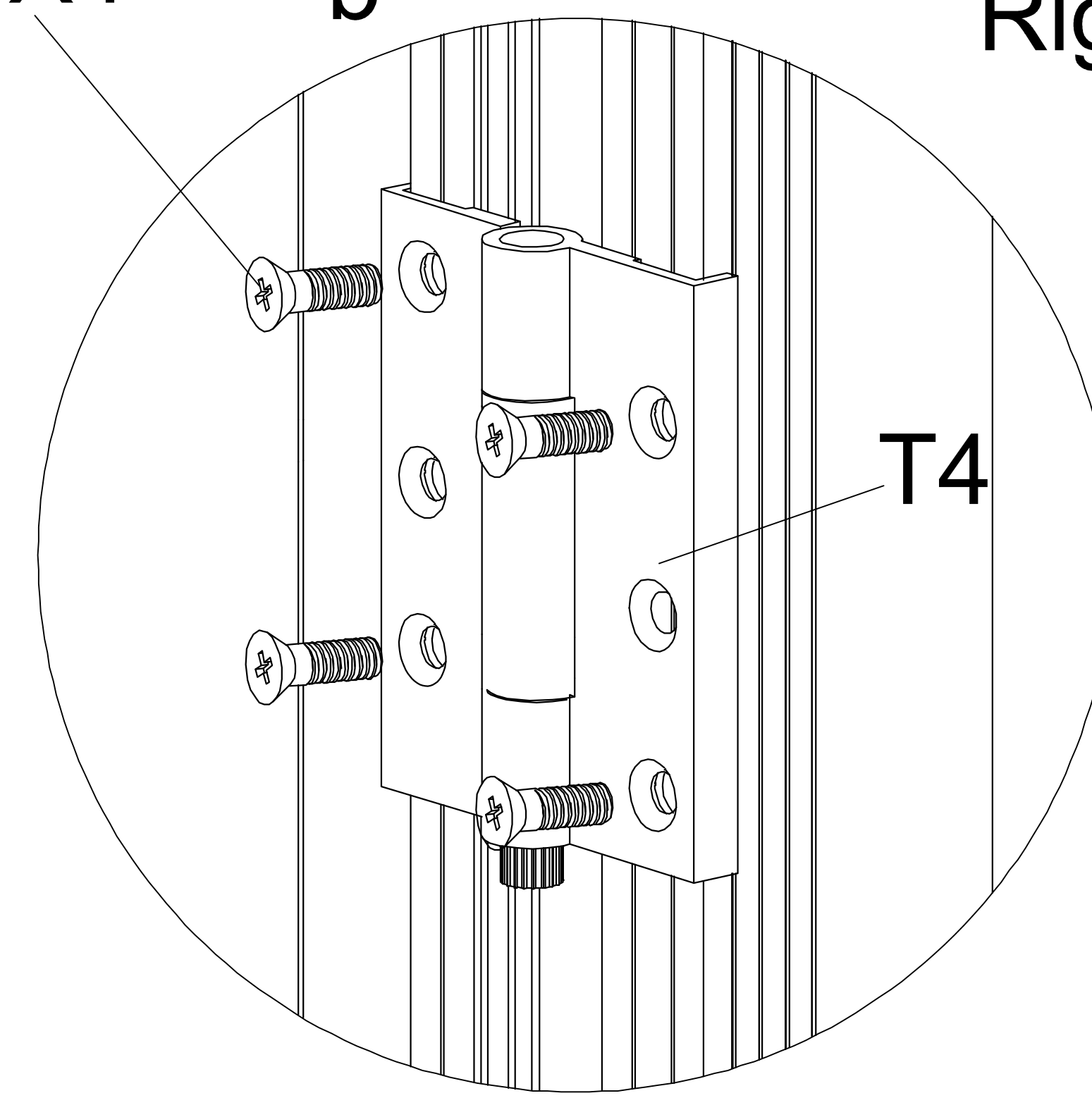
PART	NO	QTY
	DOOR-L	1
	DOOR-R	1
	T4	4
	F3 M5X12	16



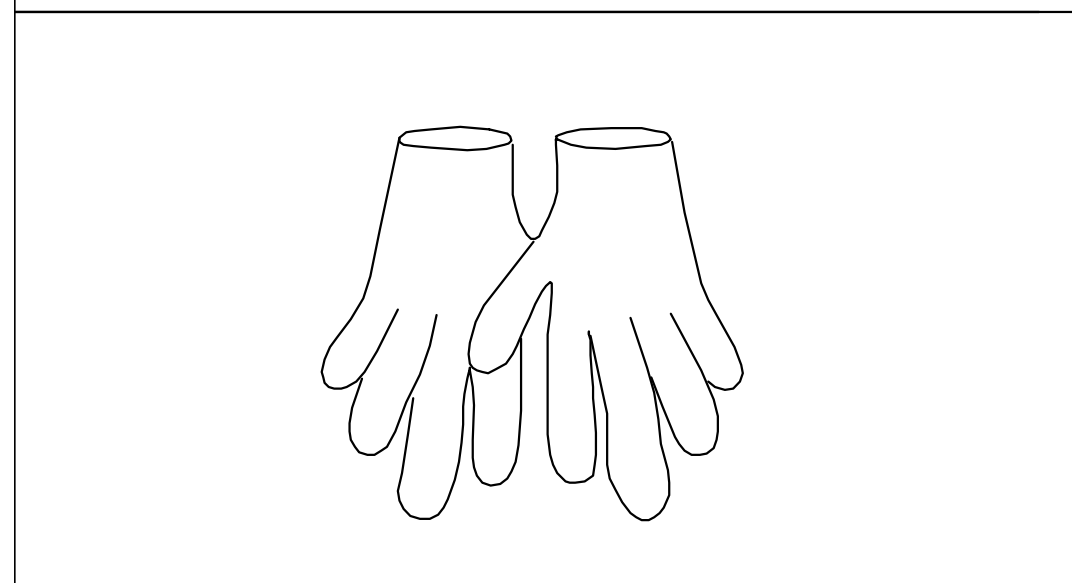
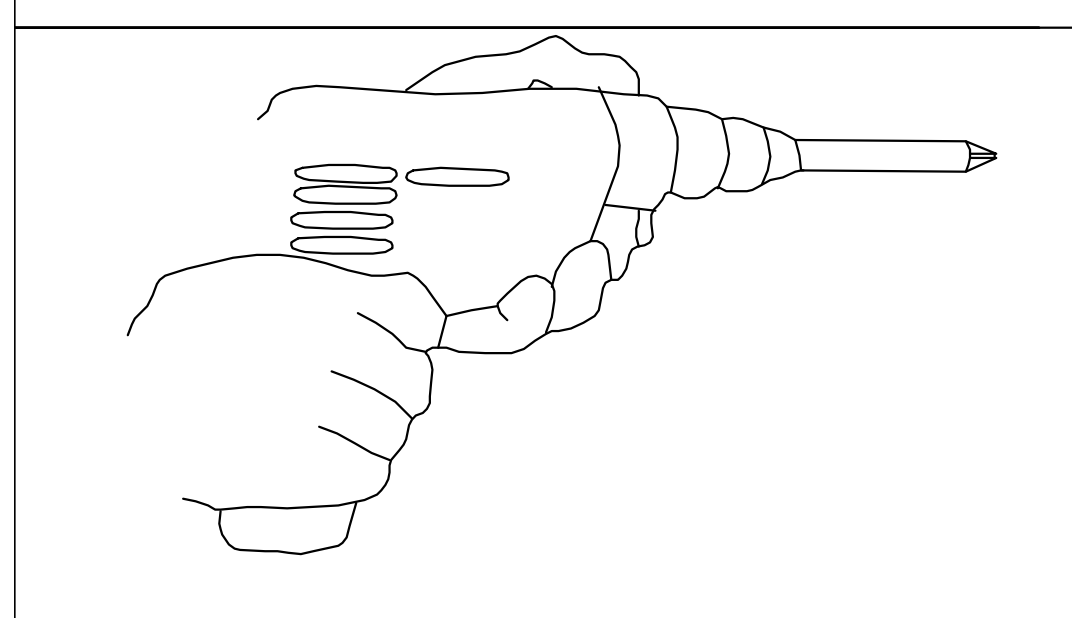
Left Door



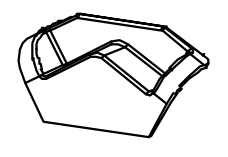
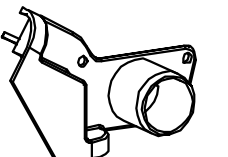
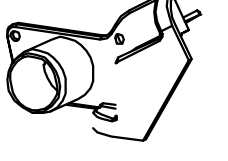
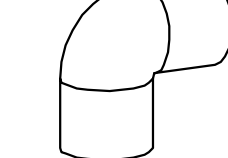
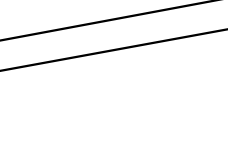

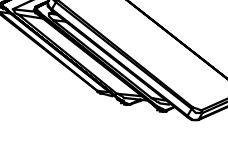
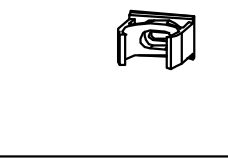
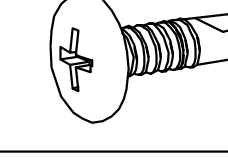
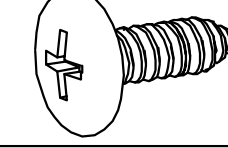
Right Door

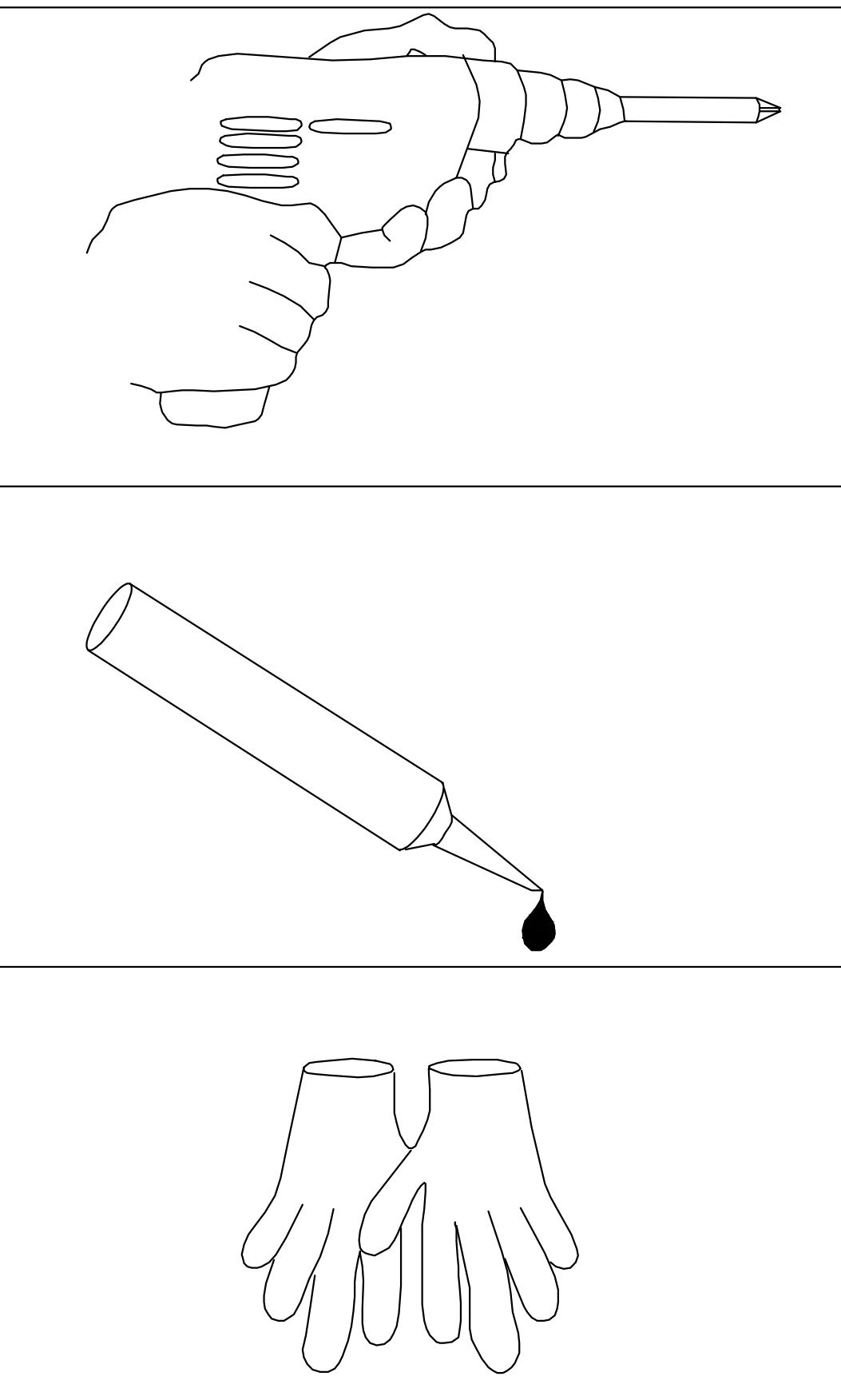
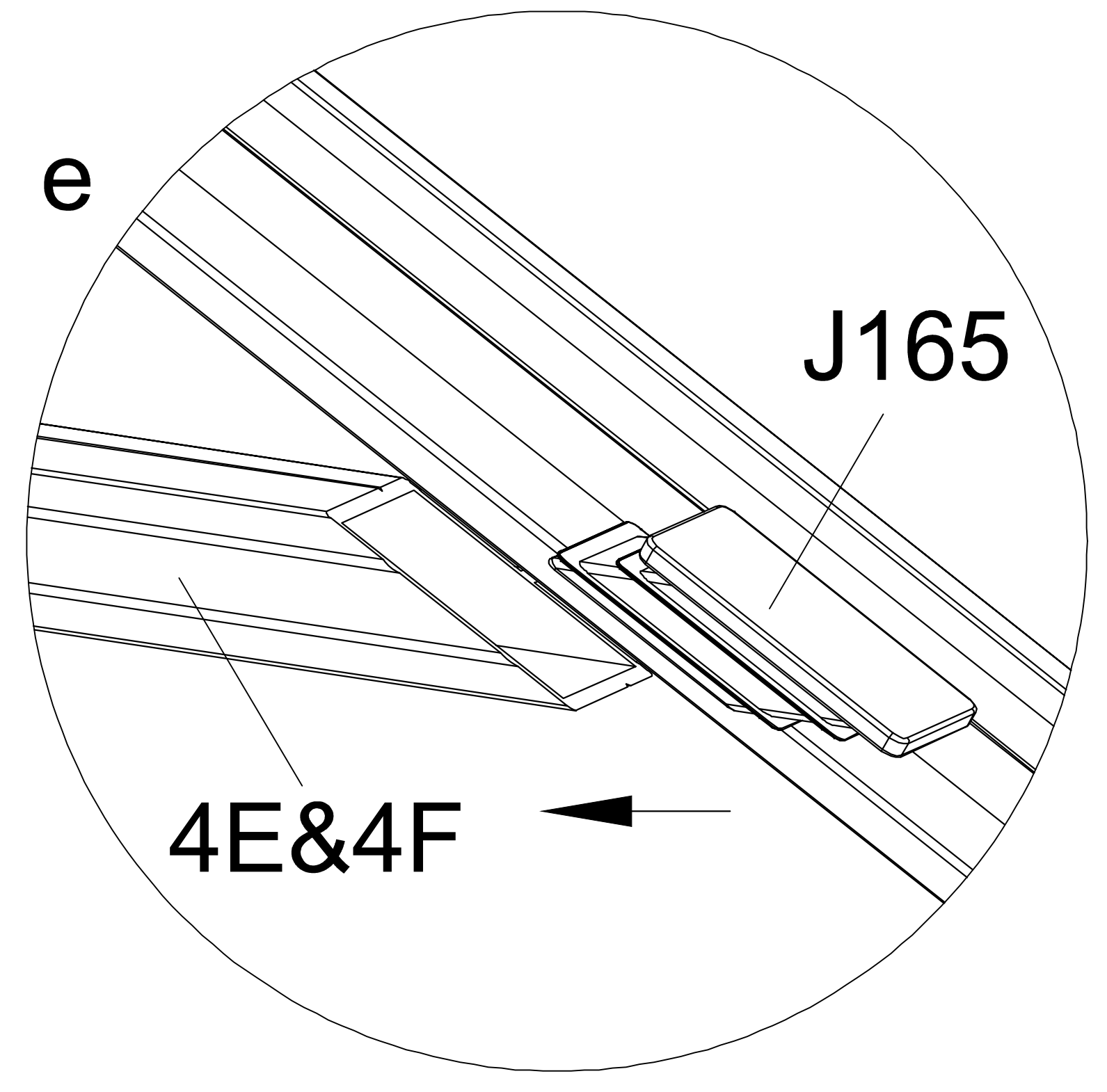
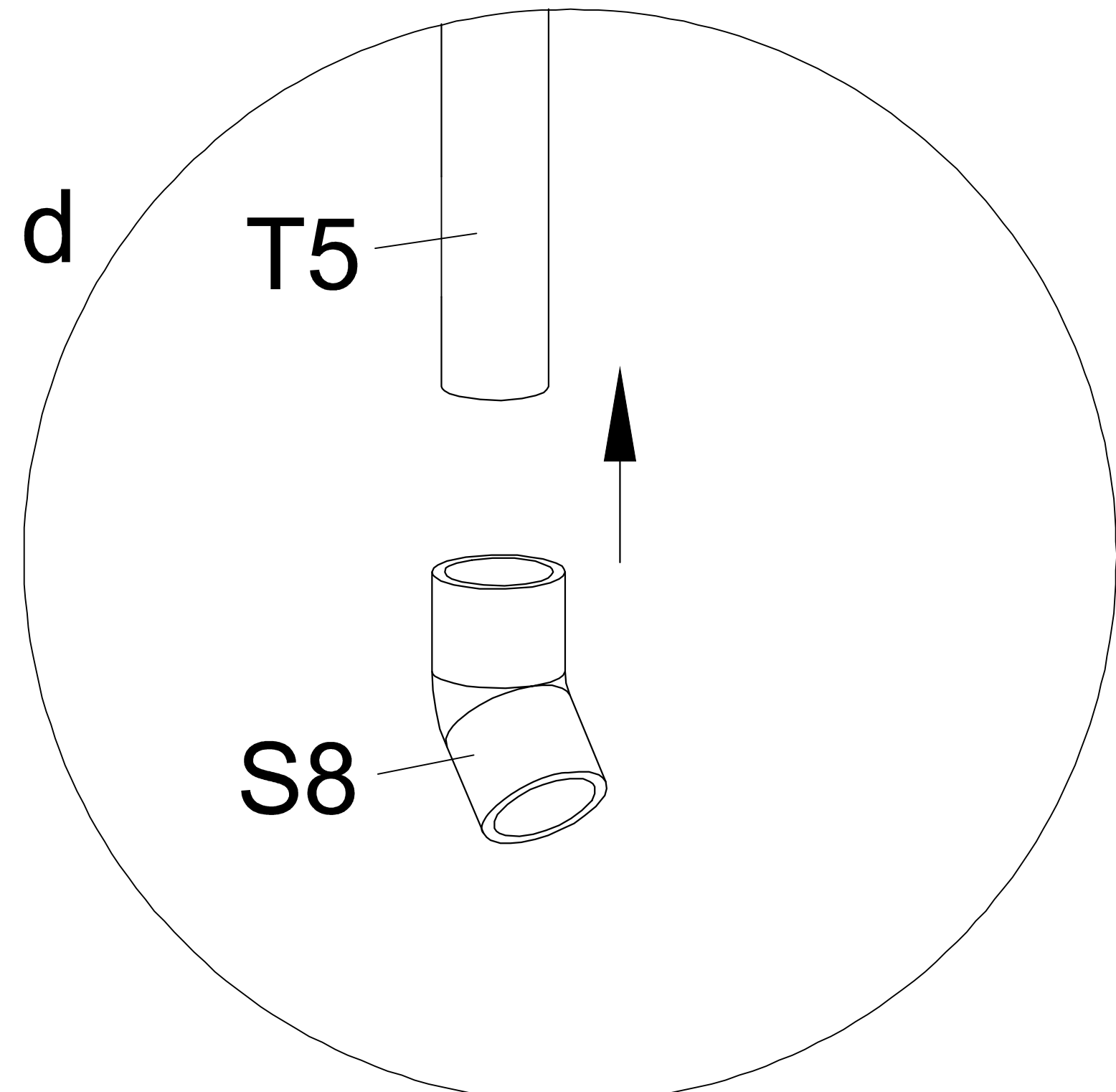
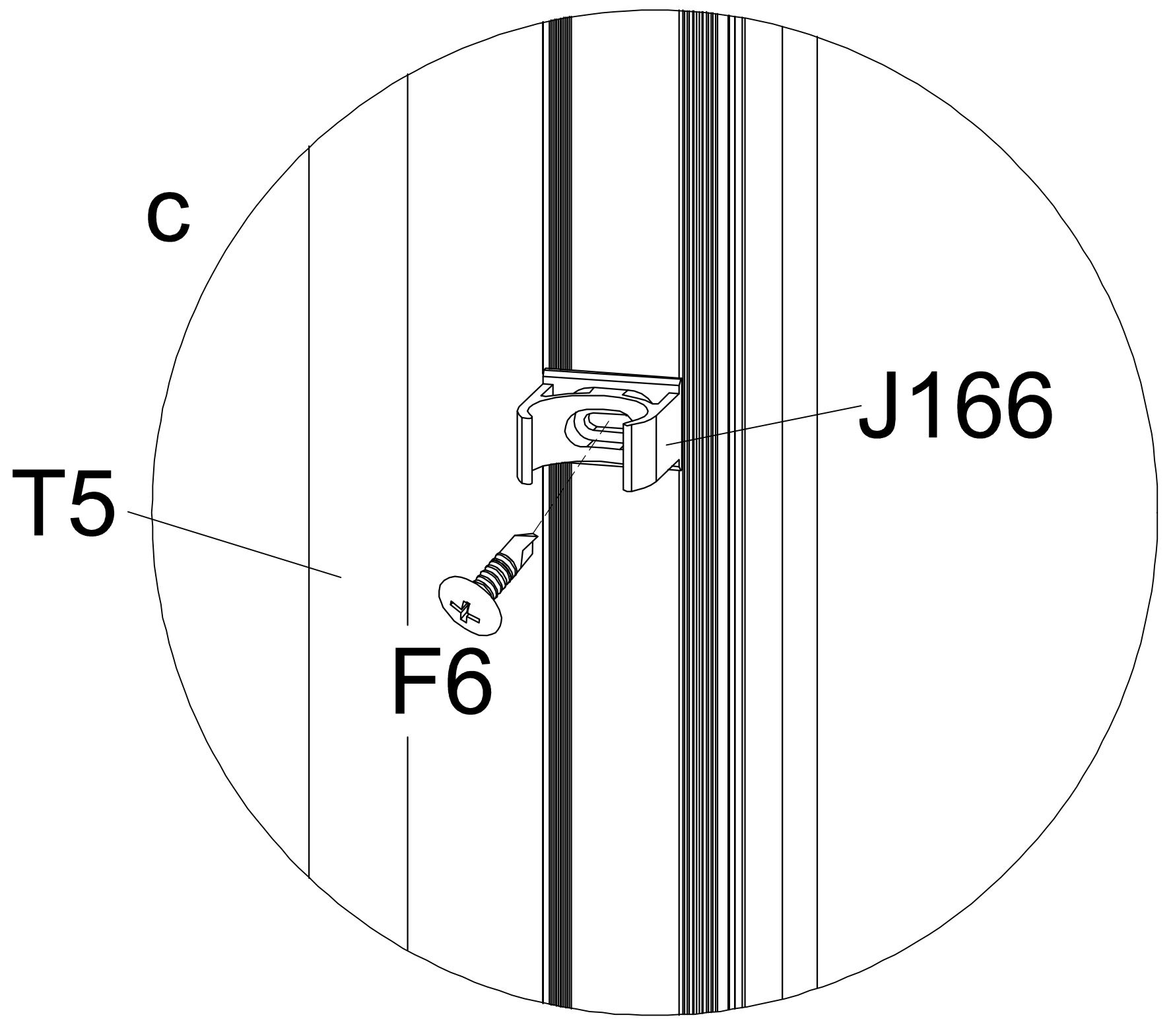
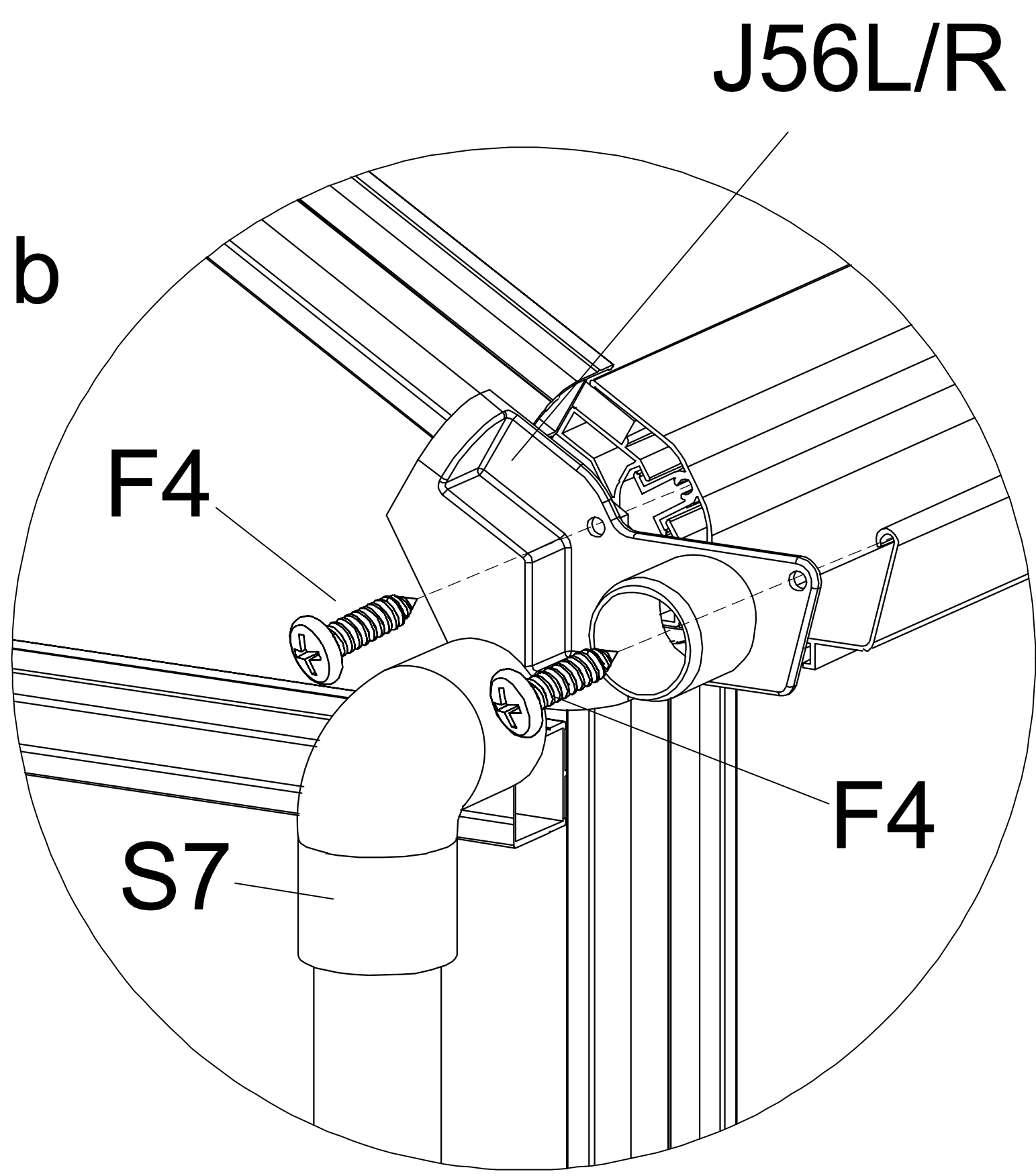
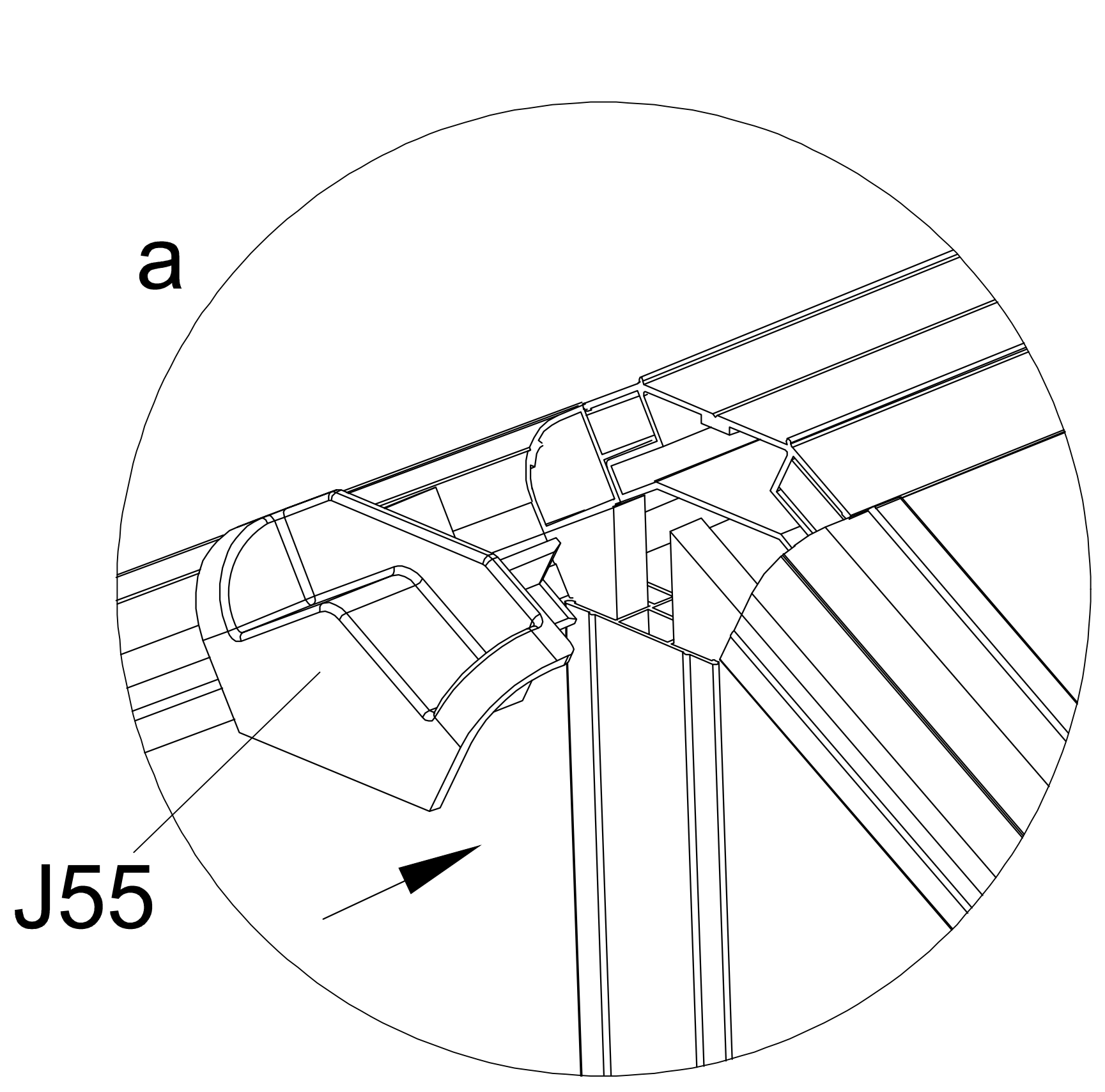
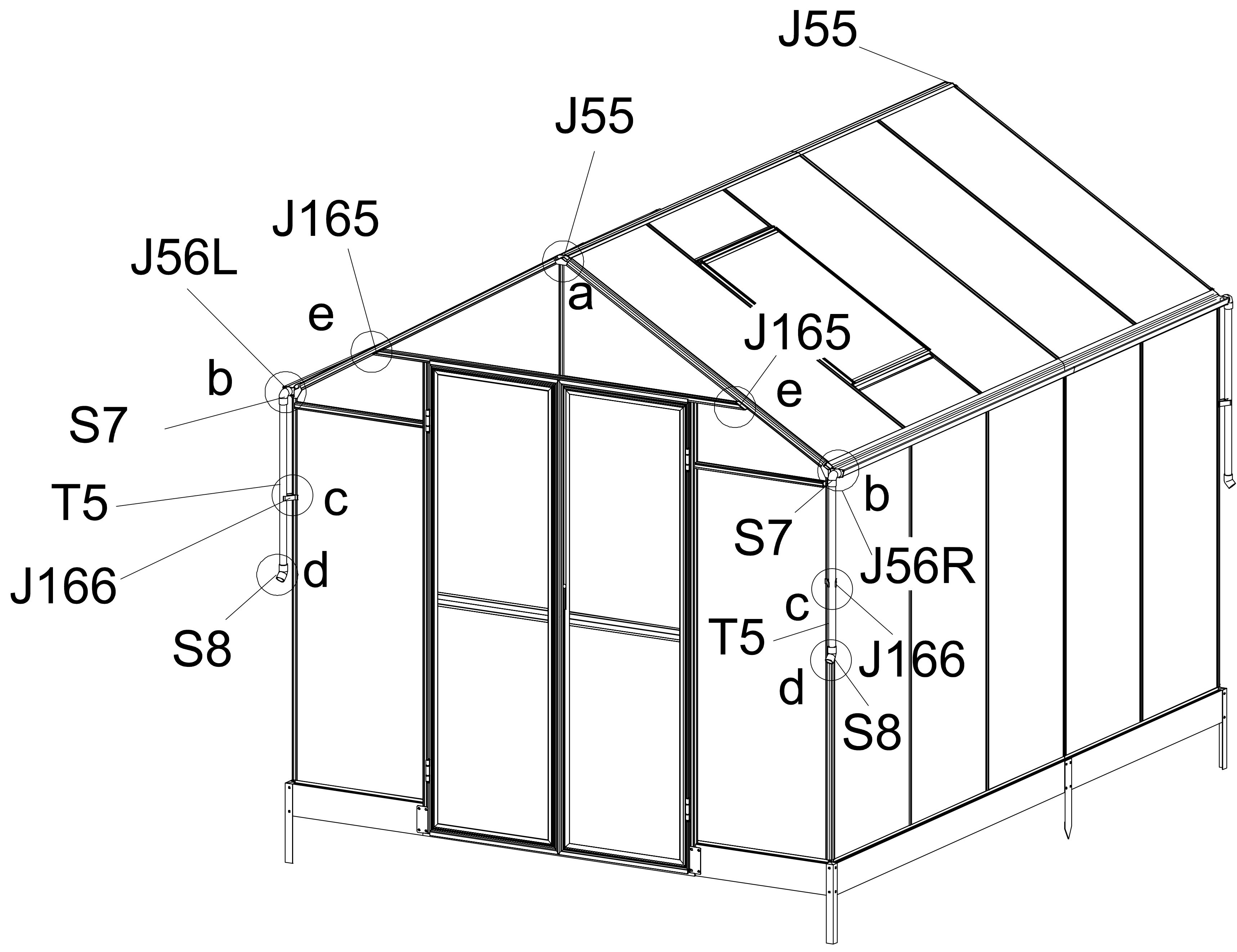


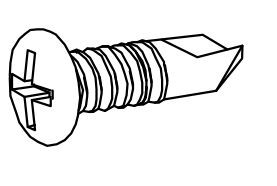
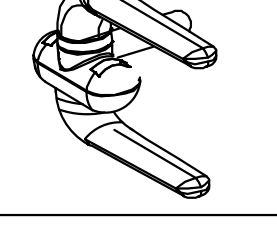

Fix T4(4 PCS) one side on the door profile and the other side to 4A & 4B using F3.



# Accessories Assembly

PART	NO	QTY
	J55	2
	J56R	2
	J56L	2
	S7	4
	T5	4
	S8	4
	J165	4
	J166	4
	F6 Ø4.2X13	4
	F4 Ø4.2X10	8



PART	NO	QTY
	F7	6
	Ø3.5X16	
	T3	1
	T2	1

# Accessories Assembly

