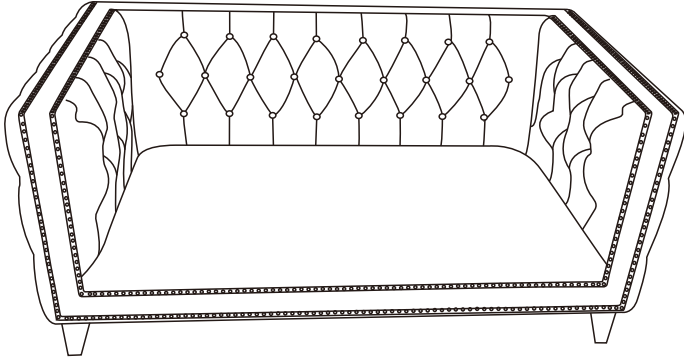
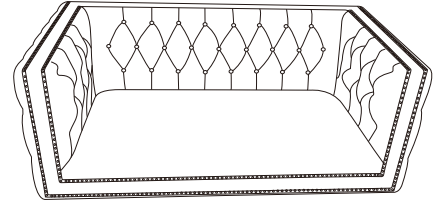


ASSEMBLY INSTRUCTION

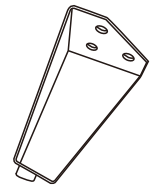


+ Parts Included

- ① LOVESEAT BASE
1PC



- ② LEG
4PCS



+ Do Not Use
Power Tools



+ Suggested
Adults



+ Hardware Included

- A ALLEN WRENCH $\varnothing 5/16$ *60MM 1PC B BOLT M6*25MM 12PCS



- C WASHER
M6*16MM 12PCS



NOTE:

- 1 Read instructions cover to cover.
- 2 Save all packaging until assembly is completed.

1 IMPORTANT SAFETY INFORMATION

Do not assemble the product if any of the following parts arrived damaged:

- Part # - Loveseat Base
- Part # - leg

Do not assemble if any of the following Hardware parts missing:

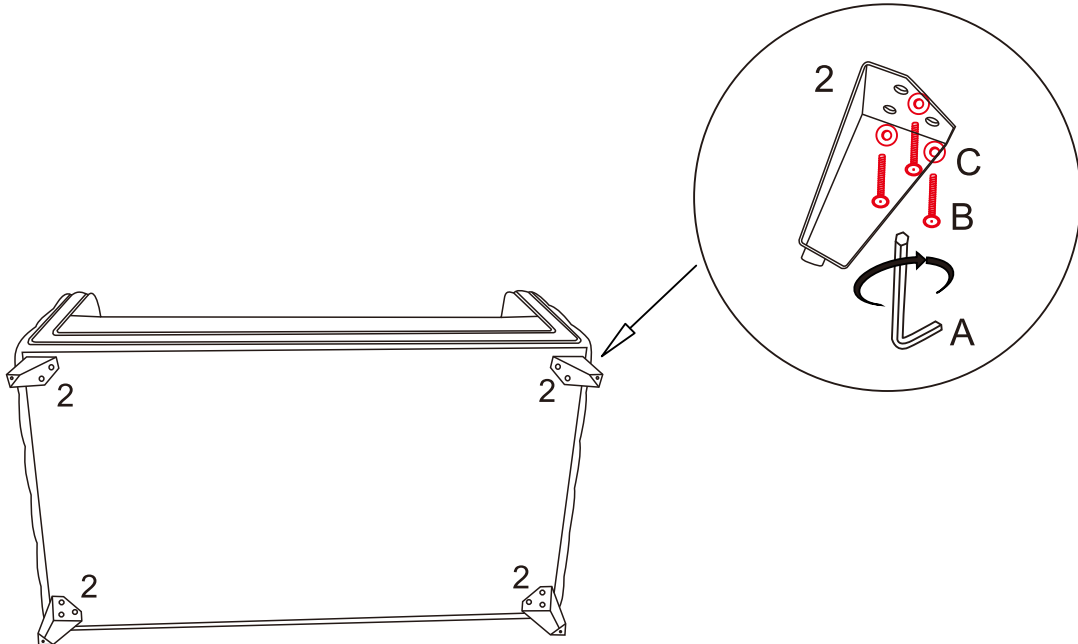
- Part # - Allen Wrench
- Part # - Bolt
- Part # - Washer

2 IMPORTANT ASSEMBLY INFORMATION

Assembly Step If loosening persists, please make sure to tighten all the bolts periodically, or use a thread locker adhesive.

ASSEMBLY INSTRUCTION

1



2

