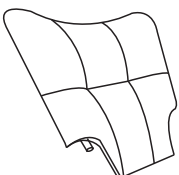

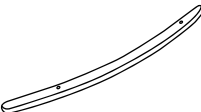
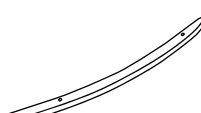
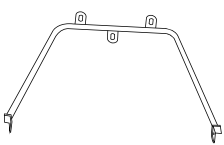
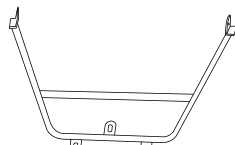






stylor rocking chair



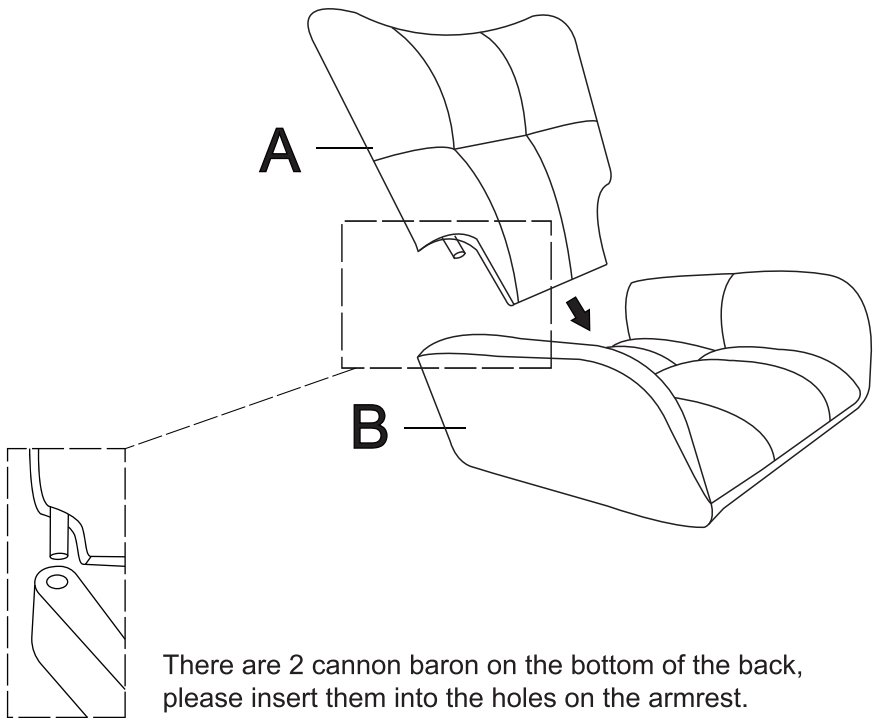
<p>A</p>  <p>x 1</p>	<p>B</p>  <p>x 1</p>	<p>C</p>  <p>x 1</p>
<p>D</p>  <p>x 1</p>	<p>E</p>  <p>x 1</p>	<p>F</p>  <p>x 1</p>
<p>G</p>  <p>x 2</p>	<p>H</p>  <p>x 10</p>	<p>I</p>  <p>x 2</p>
<p>J</p>  <p>x 1</p>		

Attention :

All steps please follow this rule.

Before draw the screws tighten, please find the holes firstly.

1



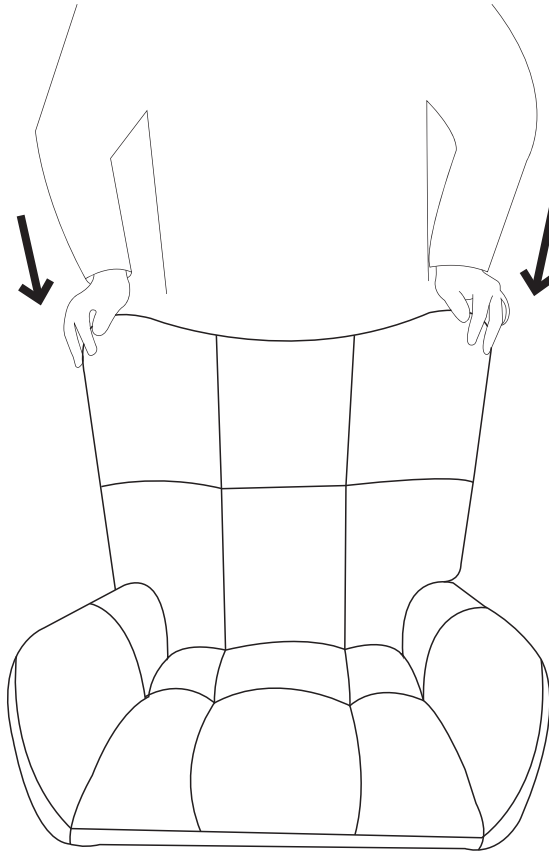
Attention :

All steps please follow this rule.

Before draw the screws tighten, please find the holes firstly.

2

Hold the backrest
and press down



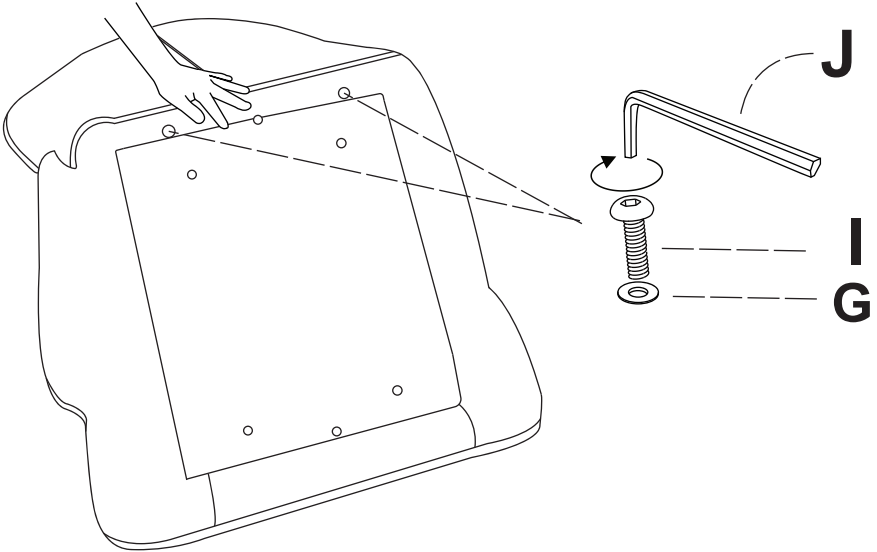
Attention :

All steps please follow this rule.

Before draw the screws tighten, please find the holes firstly.

3

Make sure the back and the bottom tight fit, then draw the screws in, then tighten.



G  2PCS

I  2PCS

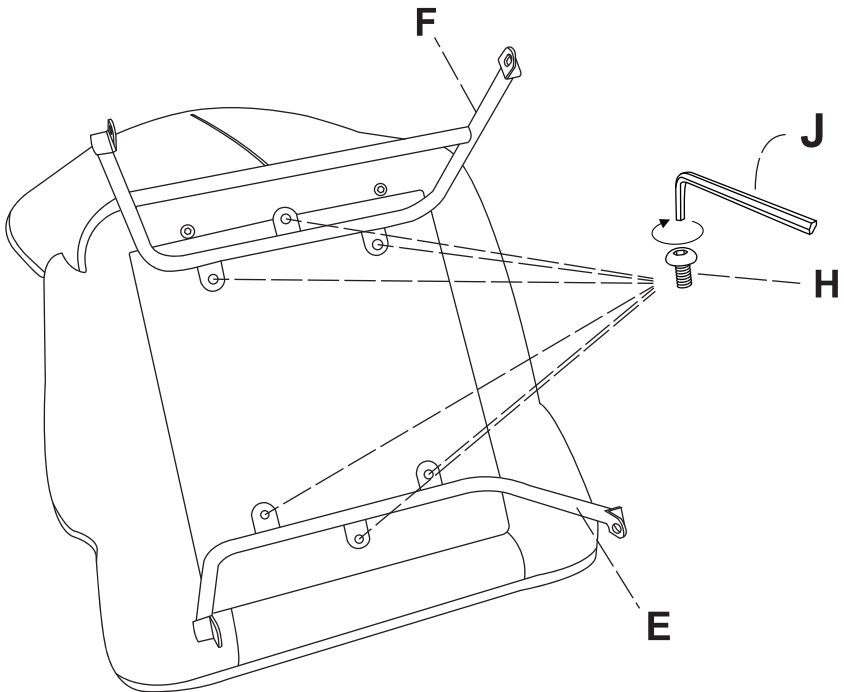
Attention :

All steps please follow this rule.

Before draw the screws tighten, please find the holes firstly.

4

Pay attention the E has a cross bar compare to F.



H



6PCS

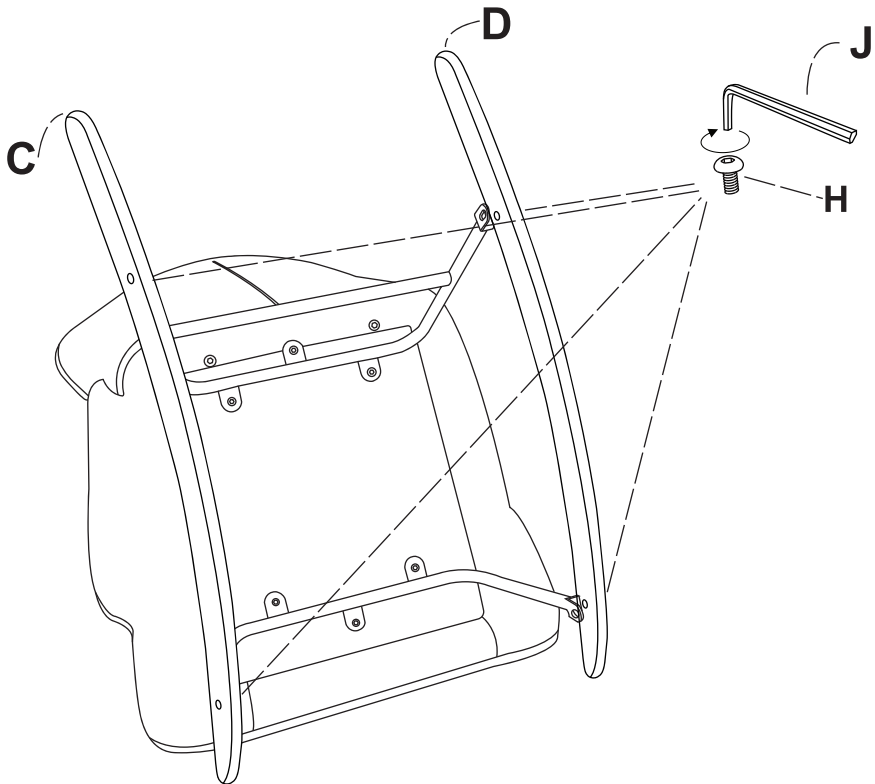
Attention :

All steps please follow this rule.

Before draw the screws tighten, please find the holes firstly.

5

Make sure the longer side of C and D is facing the back of the chair.



H



4PCS