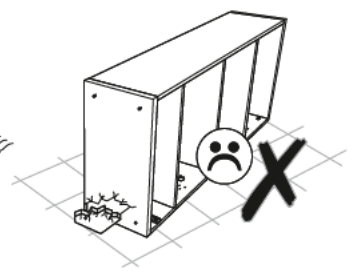
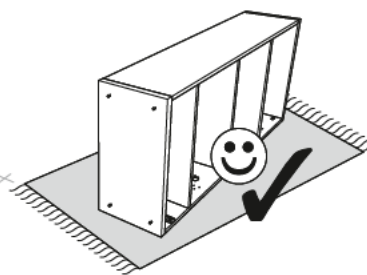
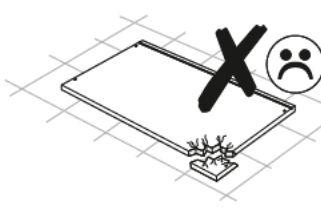
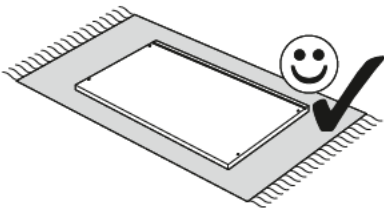
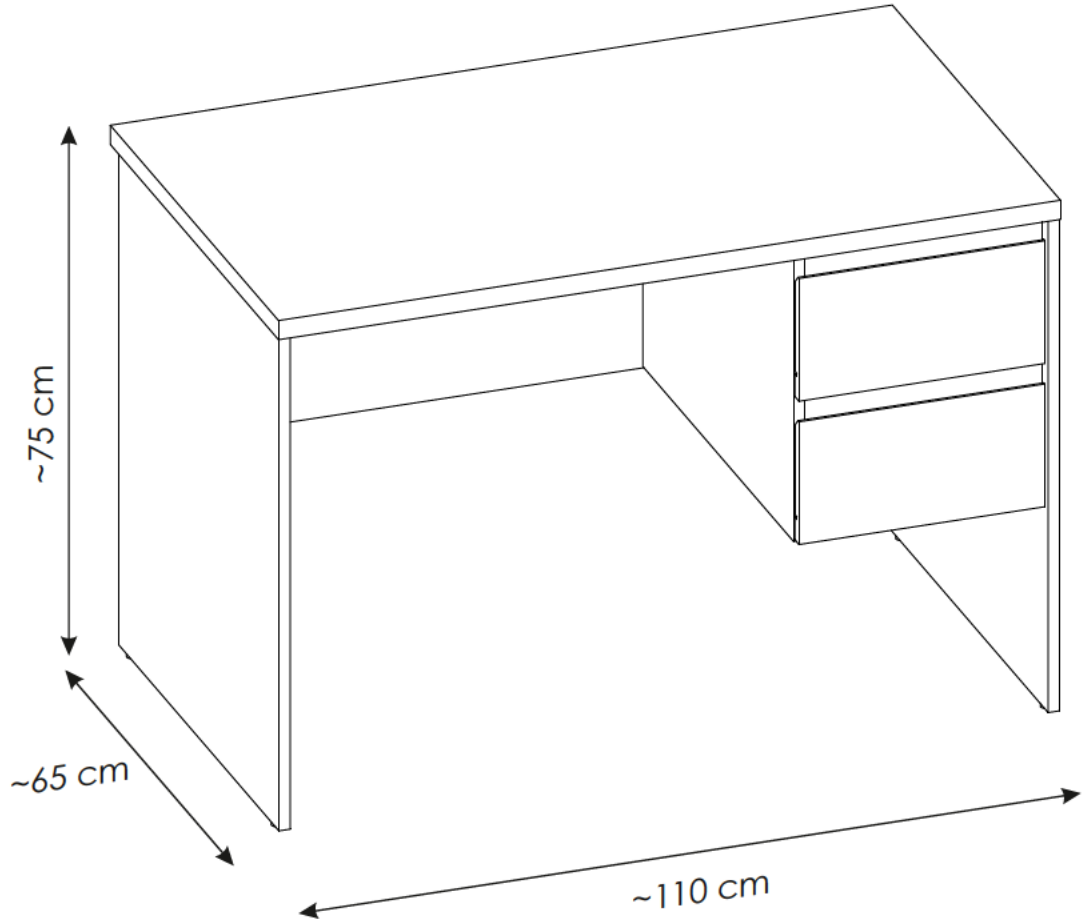
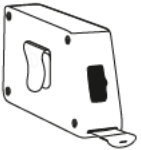
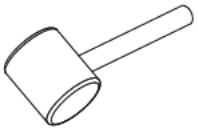
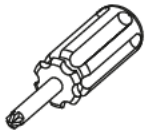
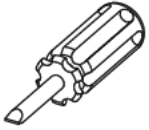
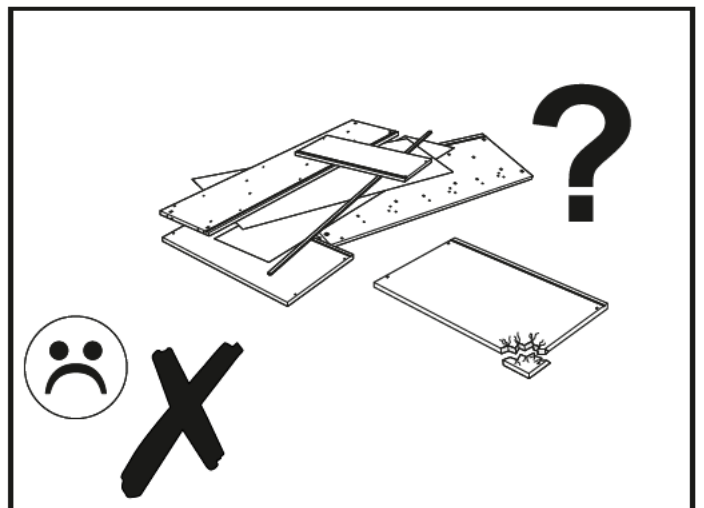
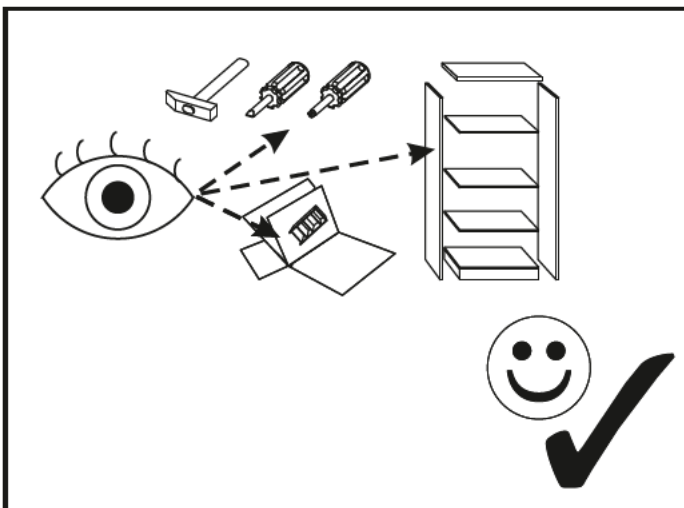
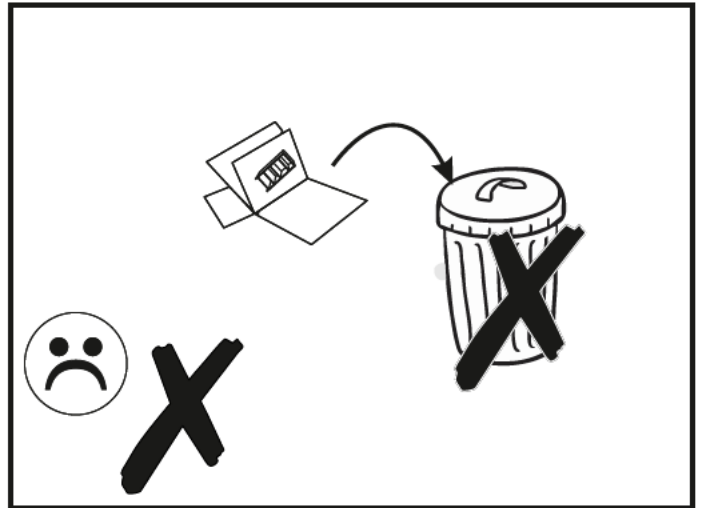
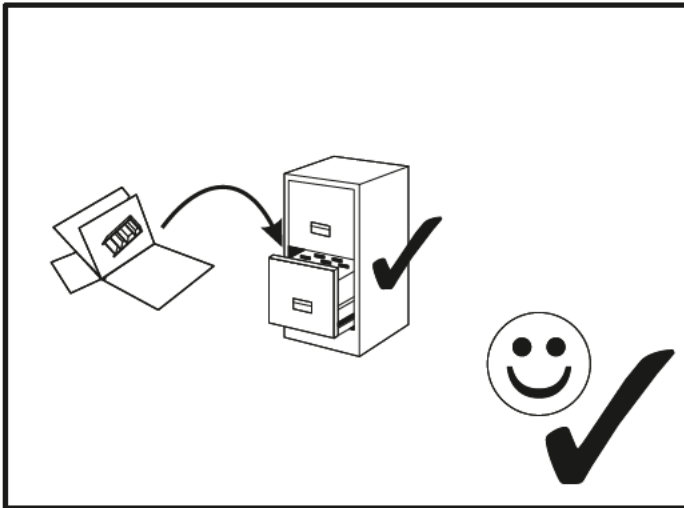
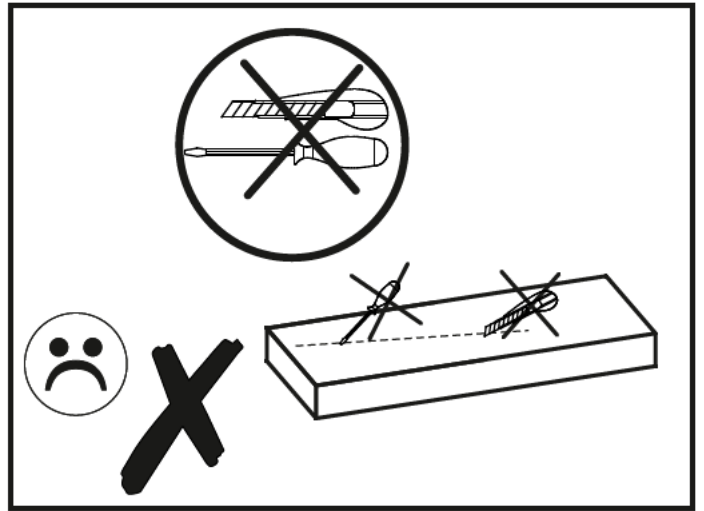
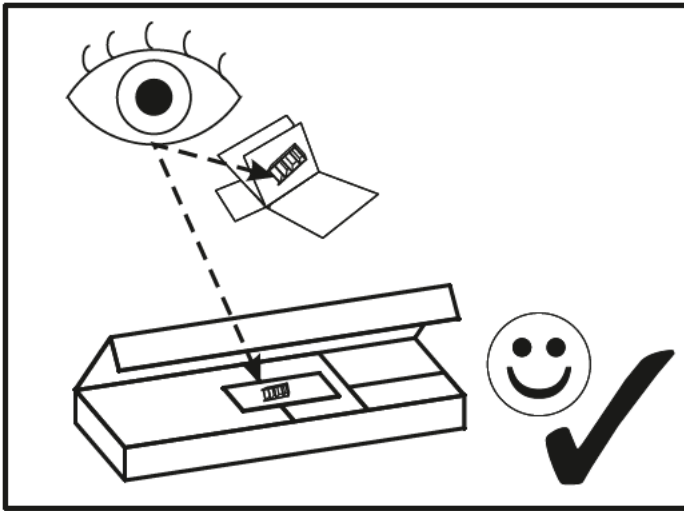
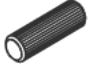





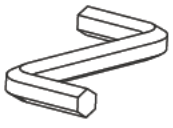








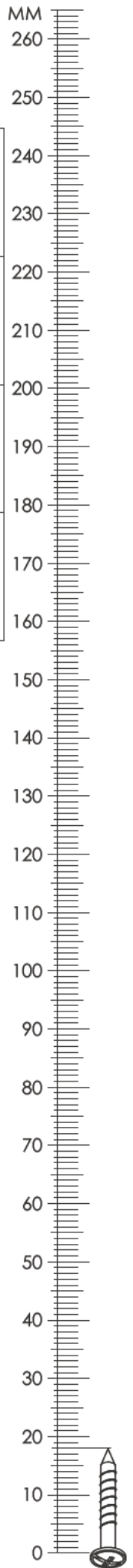


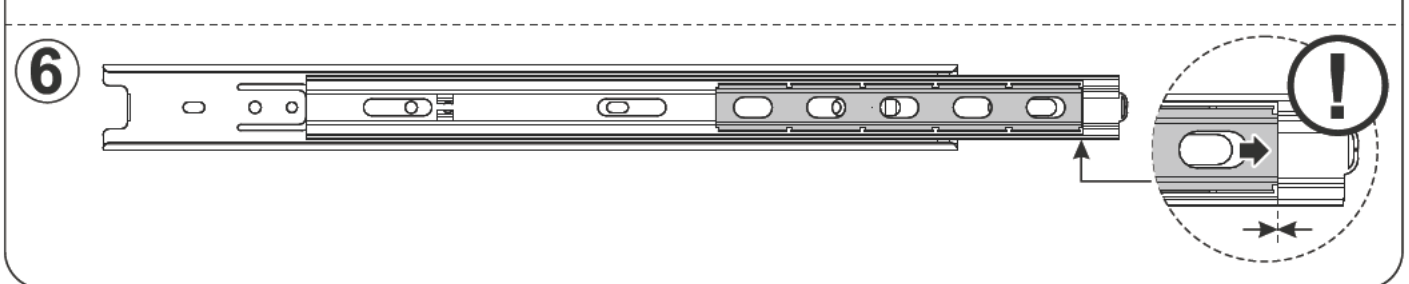
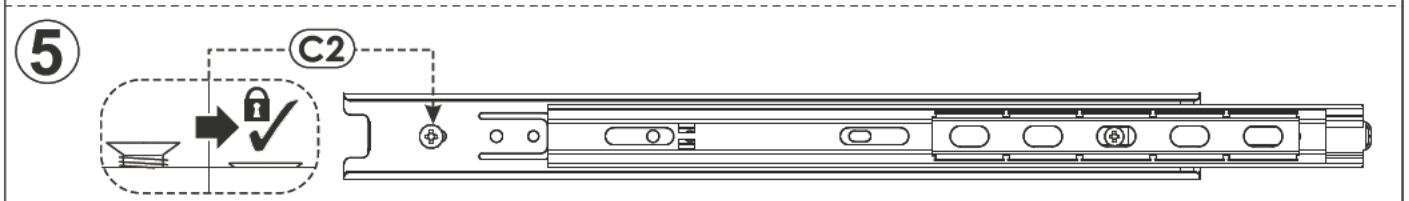
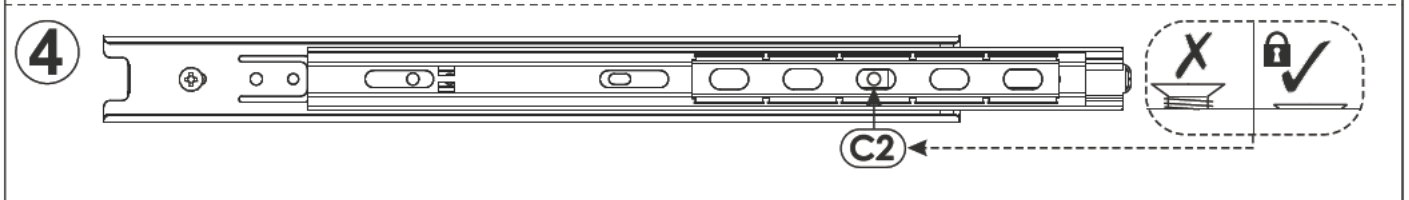
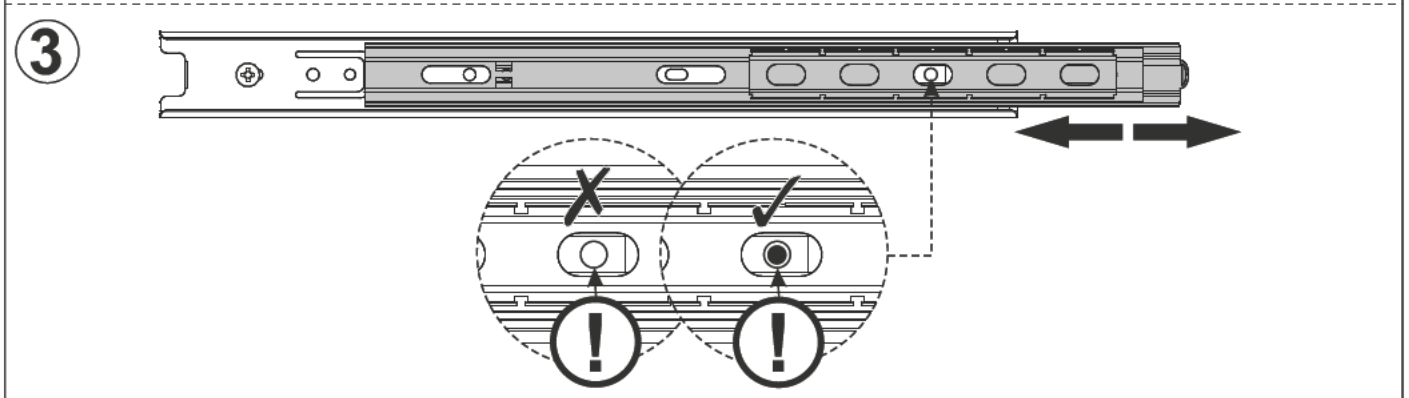
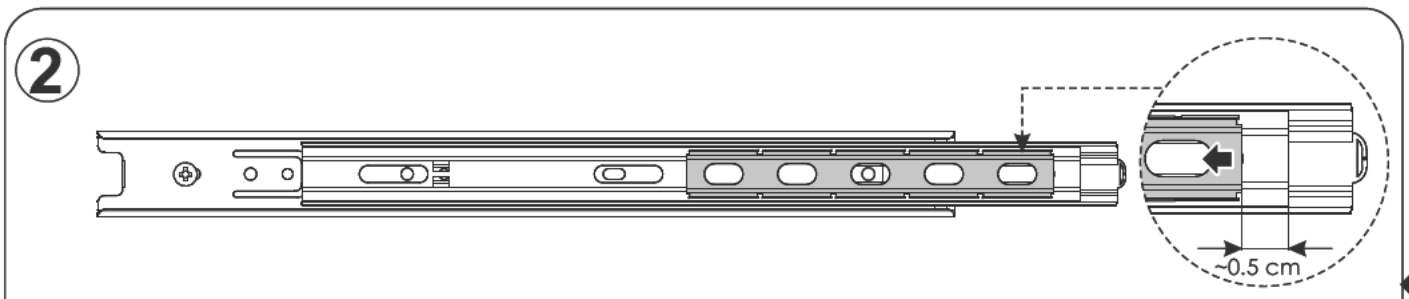
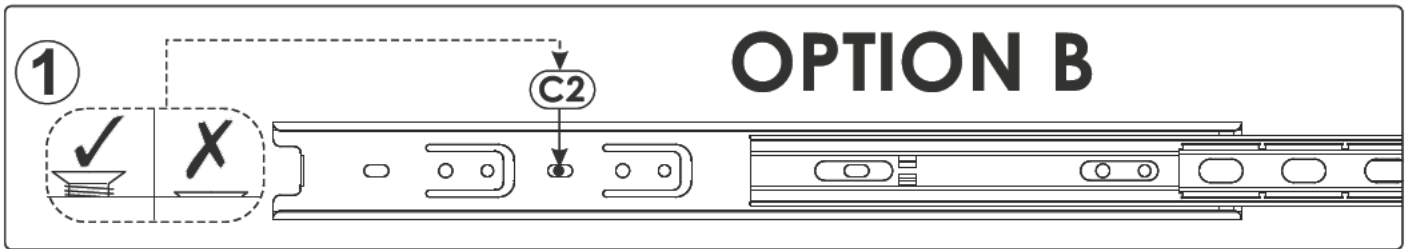
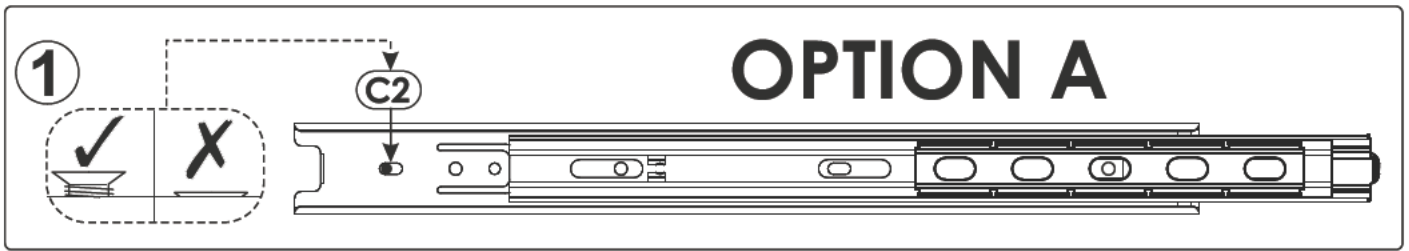
80 min



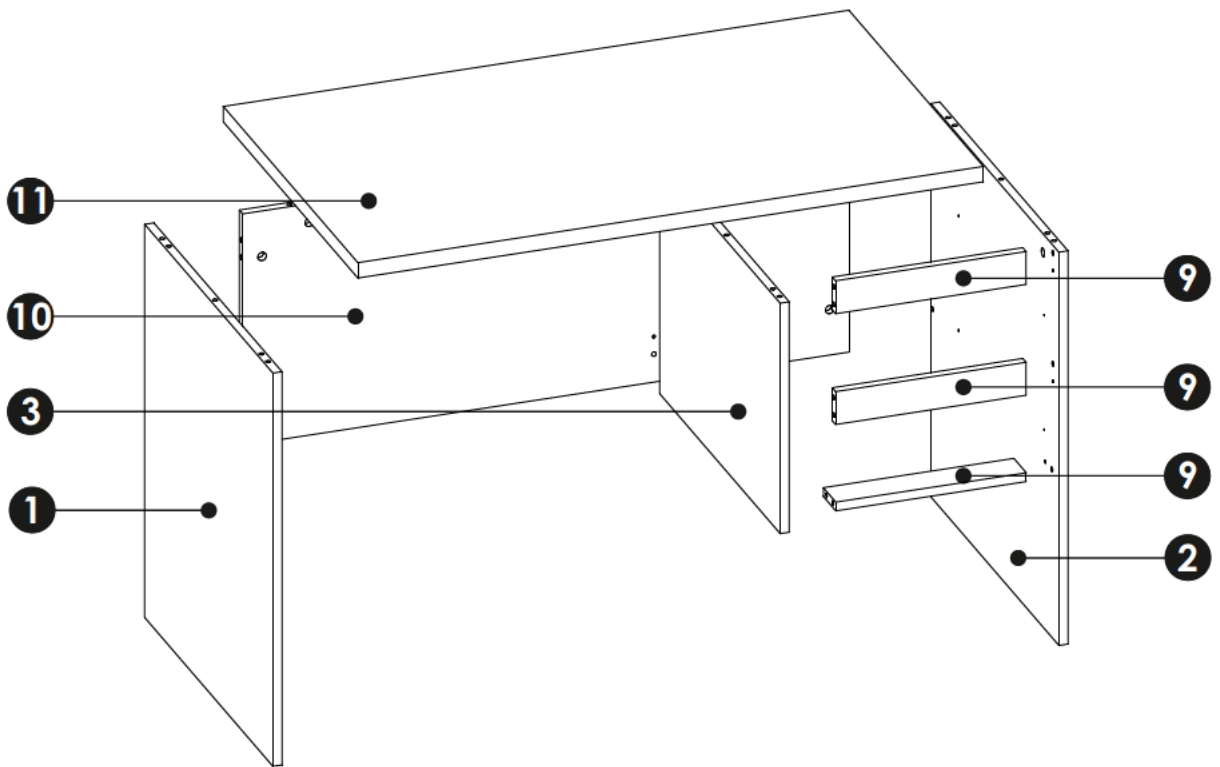
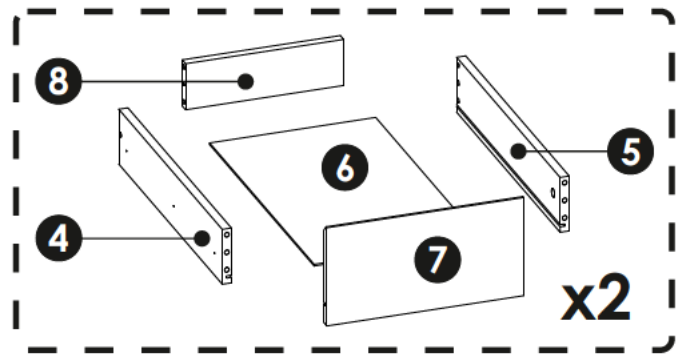
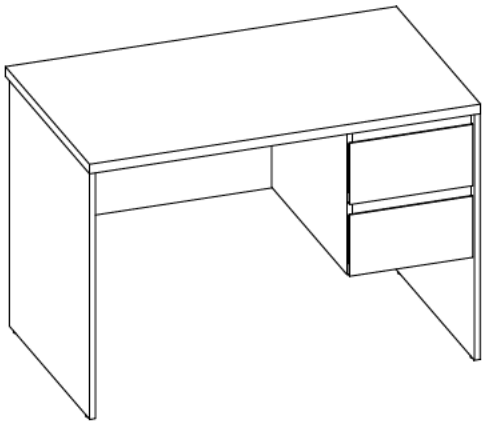


<b>A1</b> 8 x 35 mm x40 	<b>C2</b> 5 x 13 mm x8 	<b>E0</b> Ø16 x10 
<b>E1</b> 15 x 12 mm x25 	<b>F1</b> 6 x 34 mm x25 	<b>G1</b> 7 x 50 mm x4 
<b>M</b> x1 	<b>N1</b> 3 X 16 mm x10 	<b>N2</b> 3,5 X 16mm x12 
<b>O2</b> x4 	<b>PW</b> x4 	<b>R4</b> x2 
<b>R8</b> x4 		



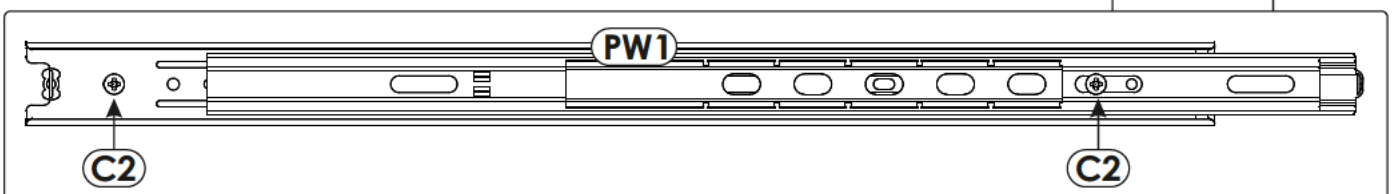
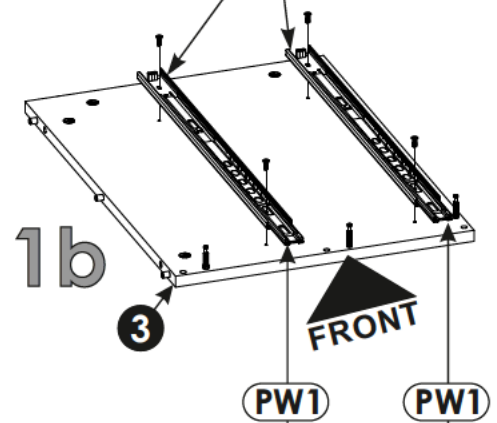
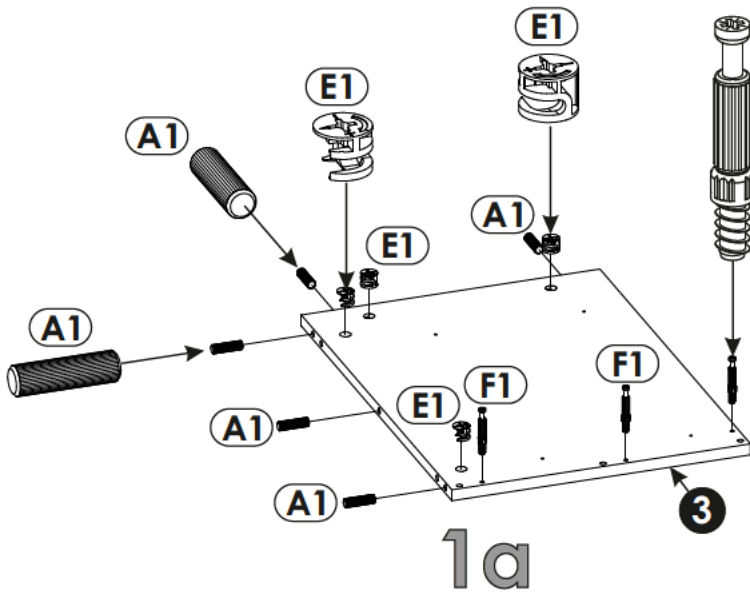
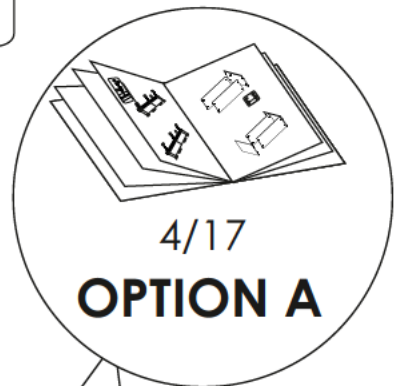
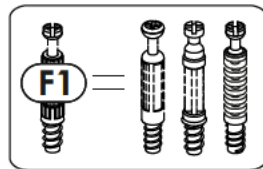
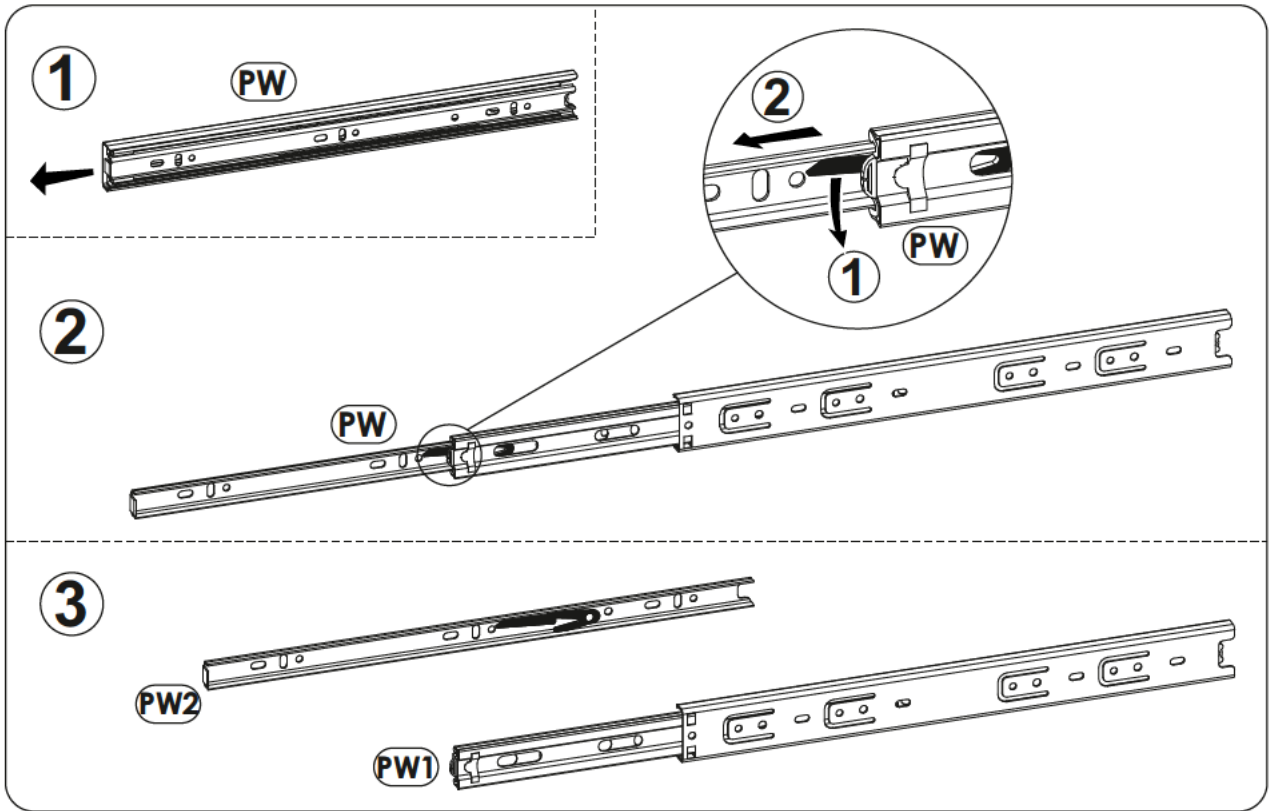


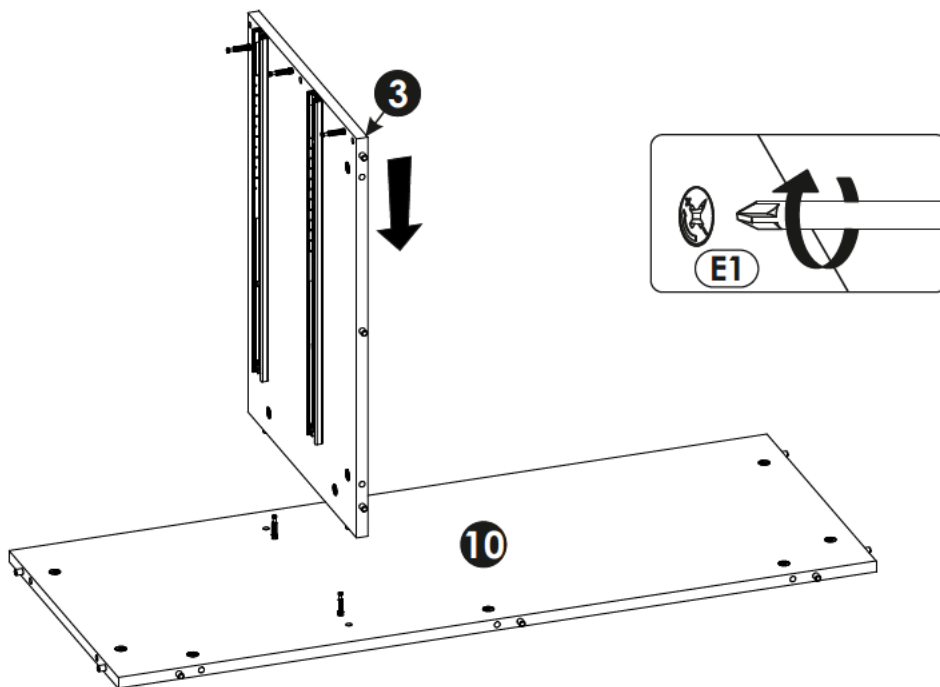
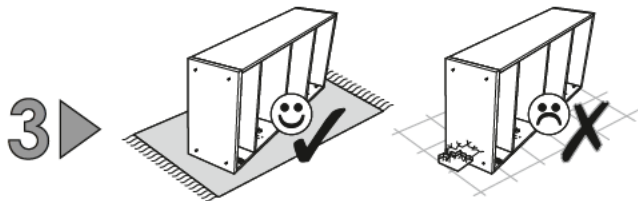
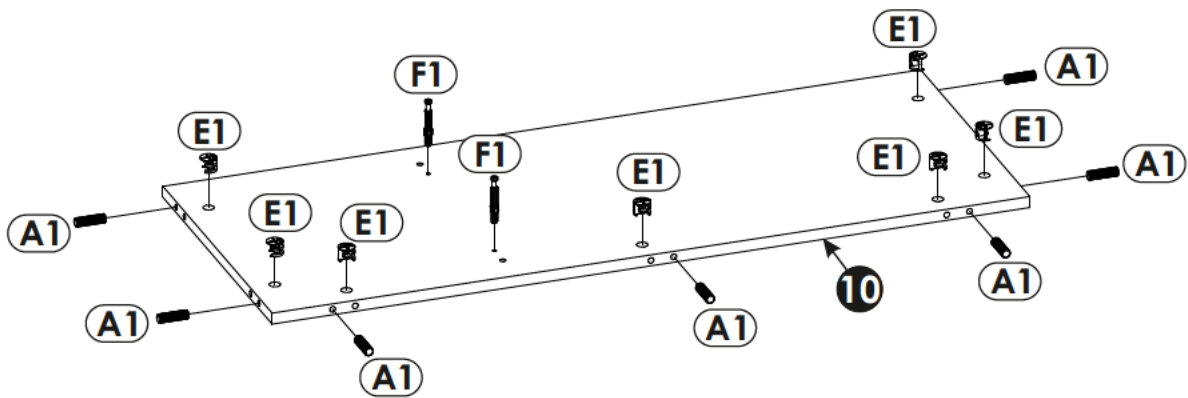
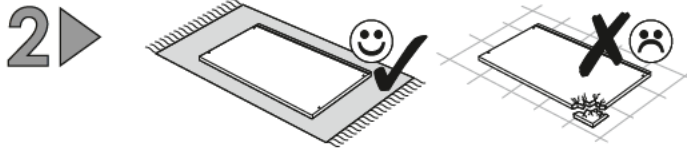
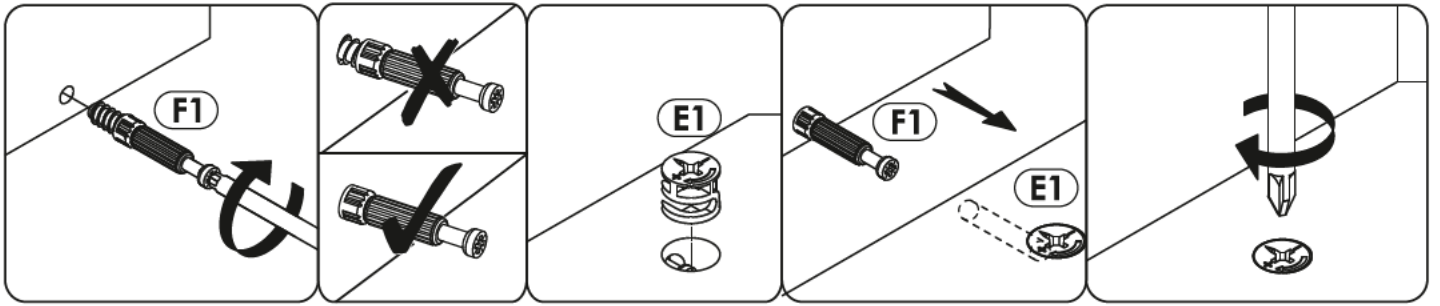
**FRONT**



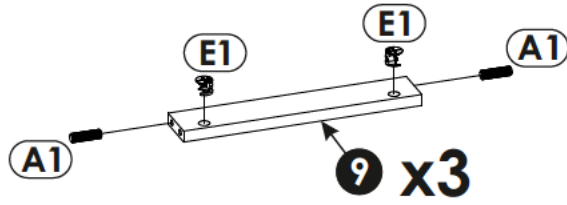
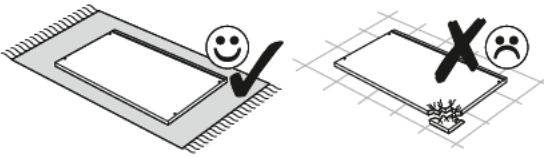
<b>1</b>	717	619	16	x1	1/2
<b>2</b>	717	619	16	x1	1/2
<b>3</b>	420	582	16	x1	1/2
<b>4</b>	500	100	16	x2	1/2
<b>5</b>	500	100	16	x2	1/2
<b>6</b>	292	505	3	x2	1/2

<b>7</b>	346	179	16	x2	1/2
<b>8</b>	278	84	16	x2	1/2
<b>9</b>	335	60	16	x3	1/2
<b>10</b>	1066	422	16	x1	2/2
<b>11</b>	1100	650	28	x1	2/2

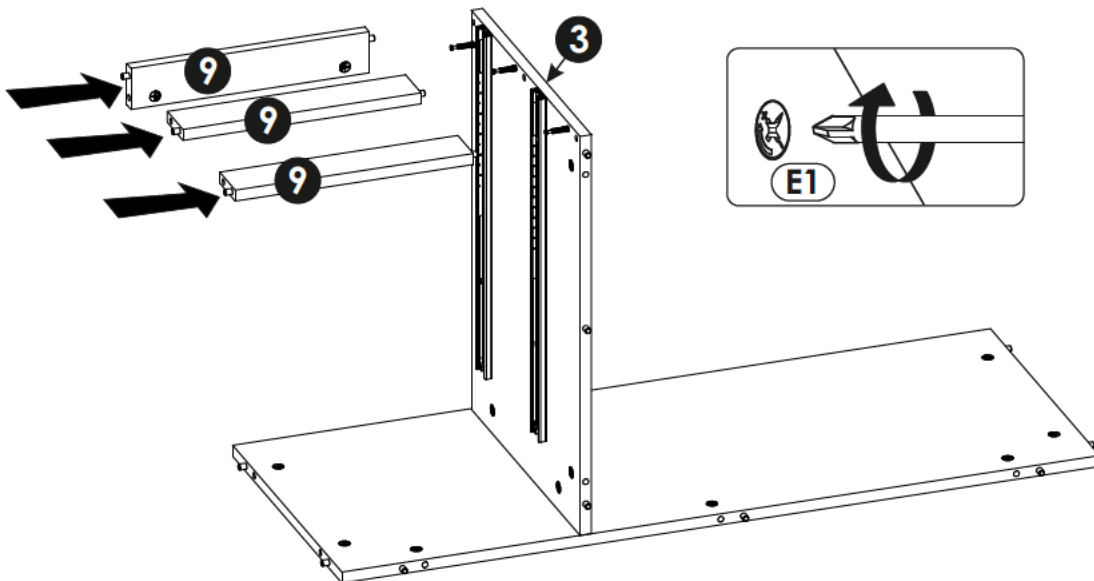
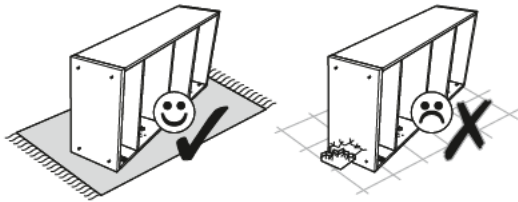


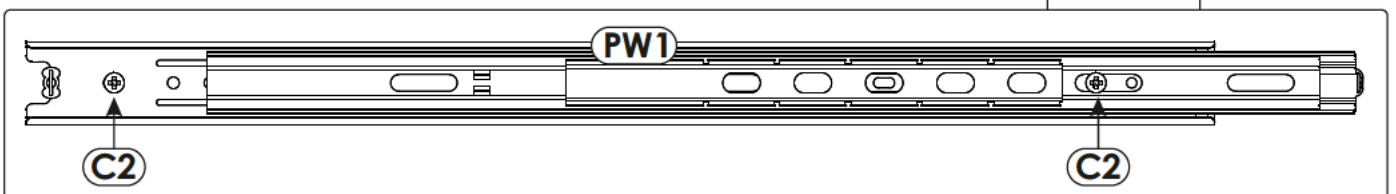
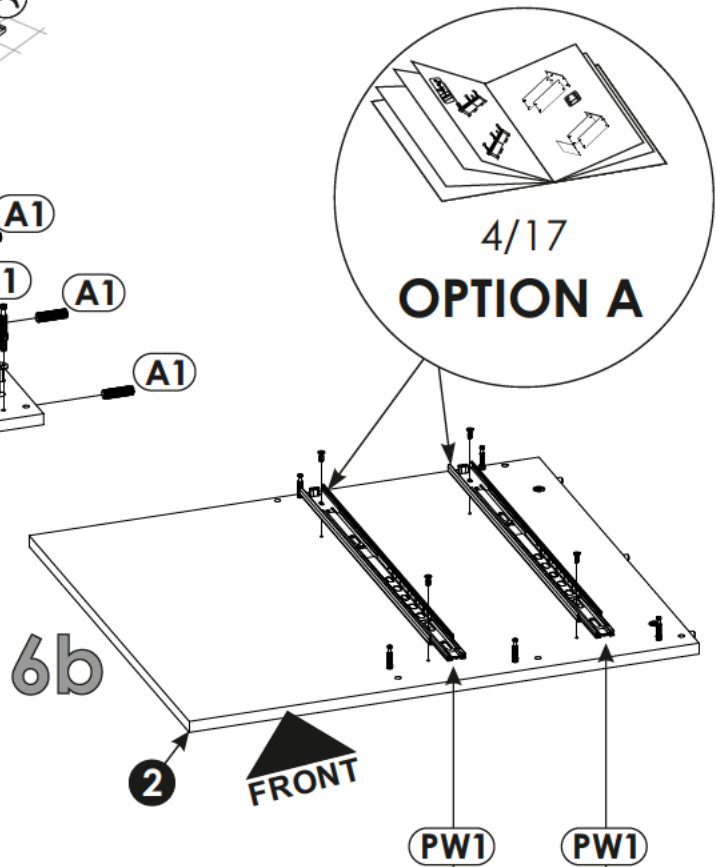
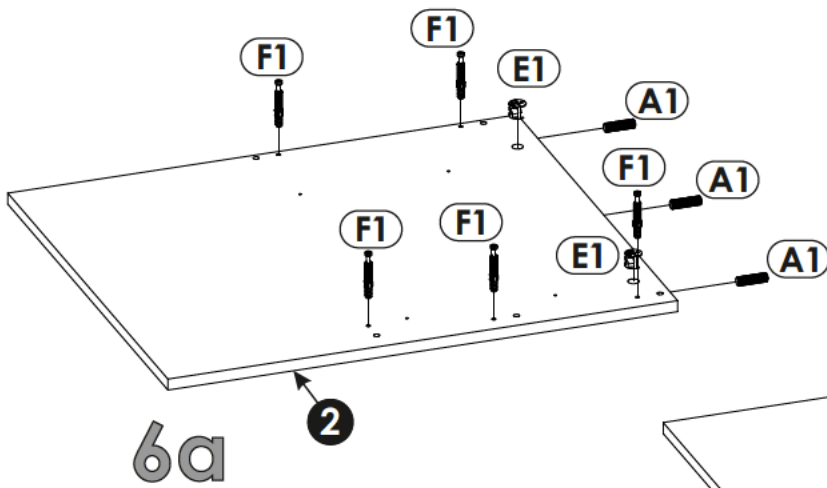
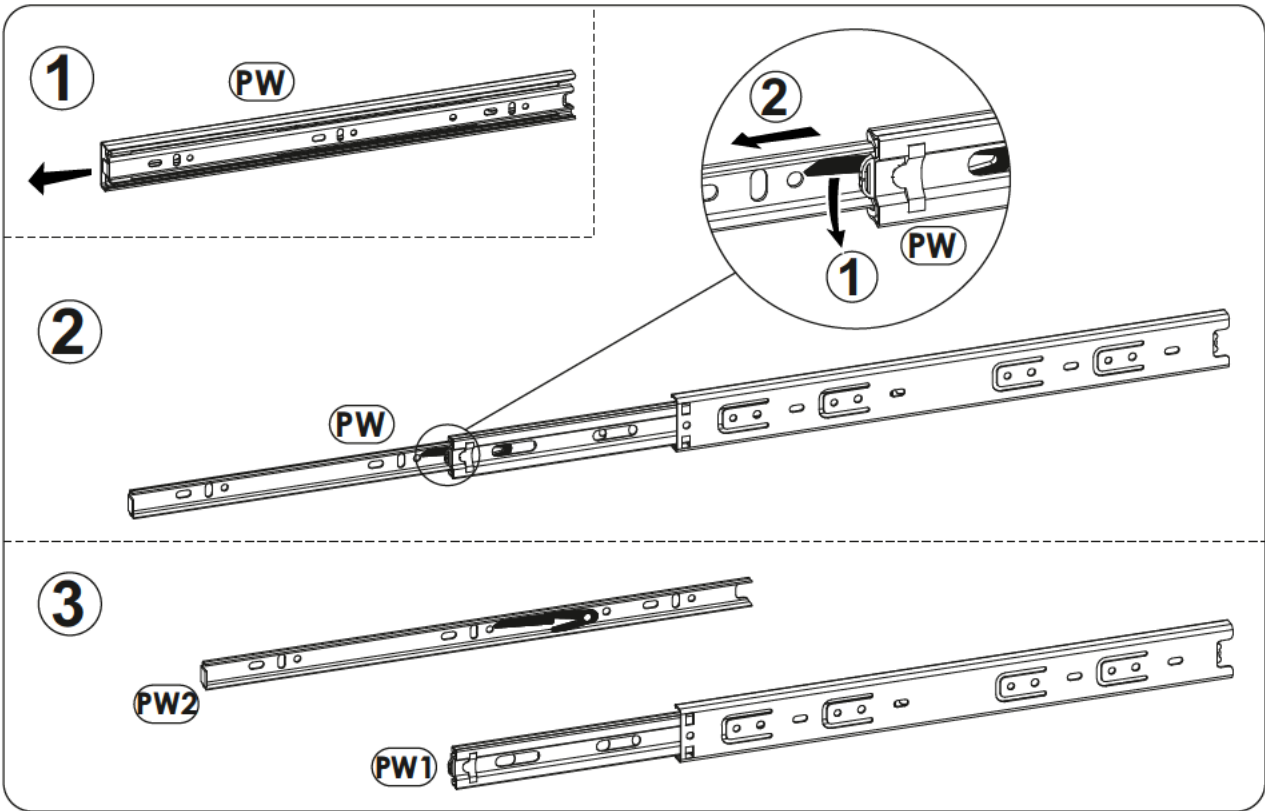


4 ▶

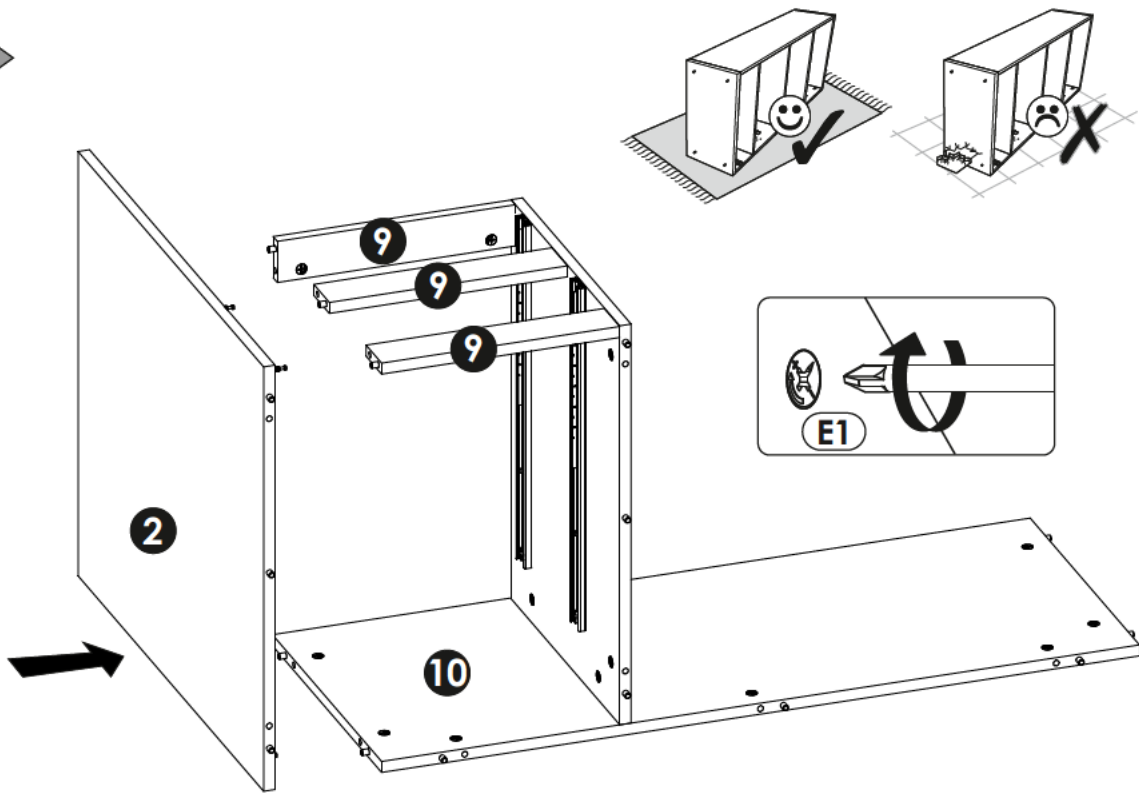


5 ▶

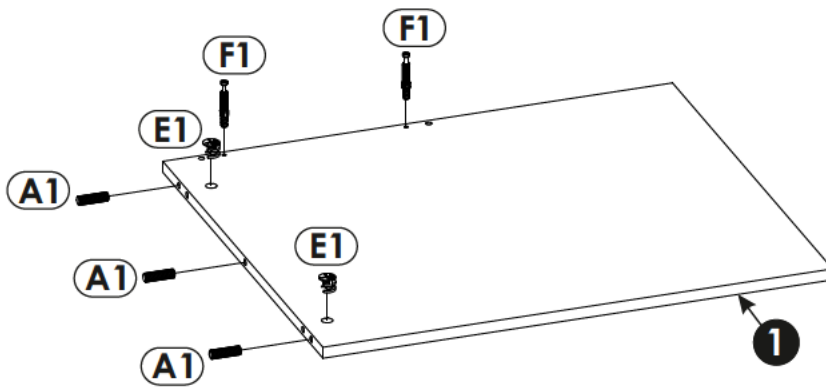
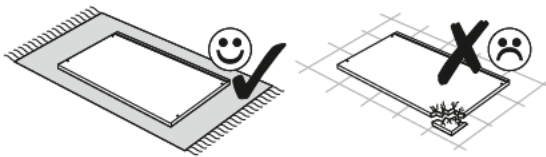




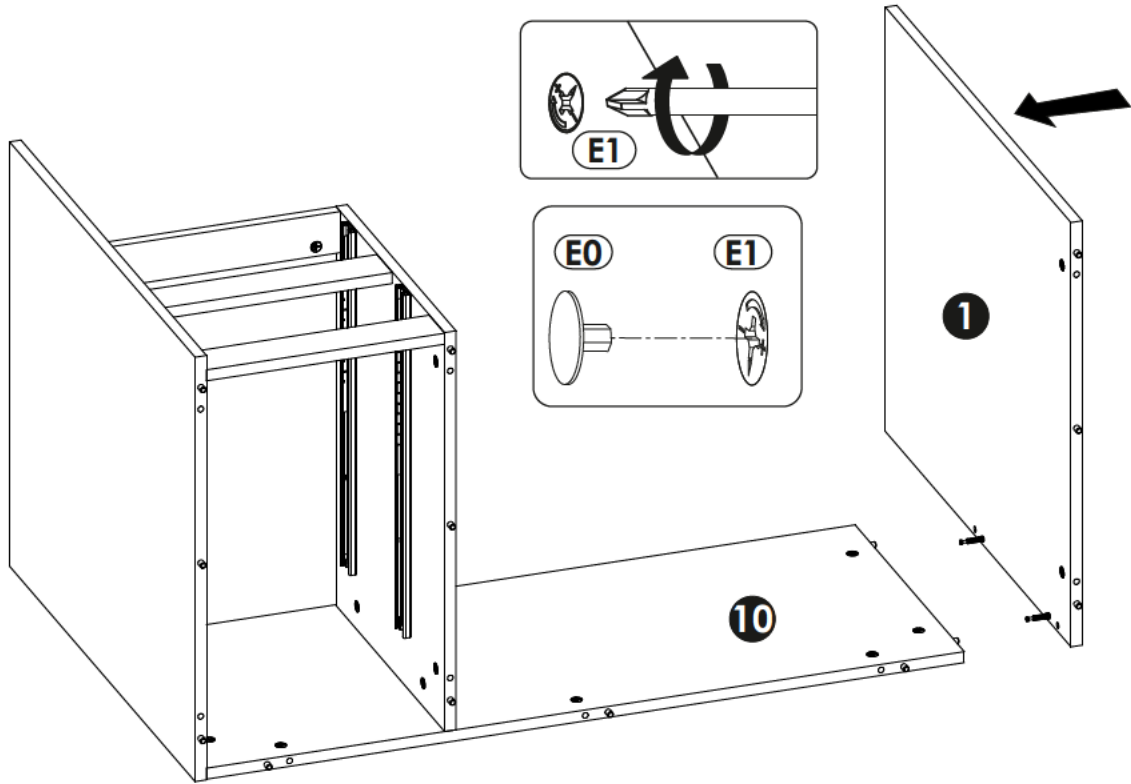
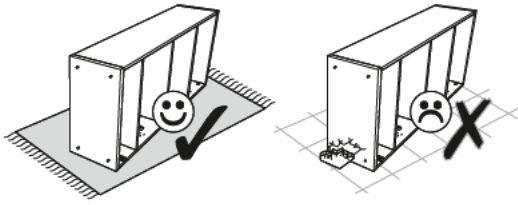
7 ▶



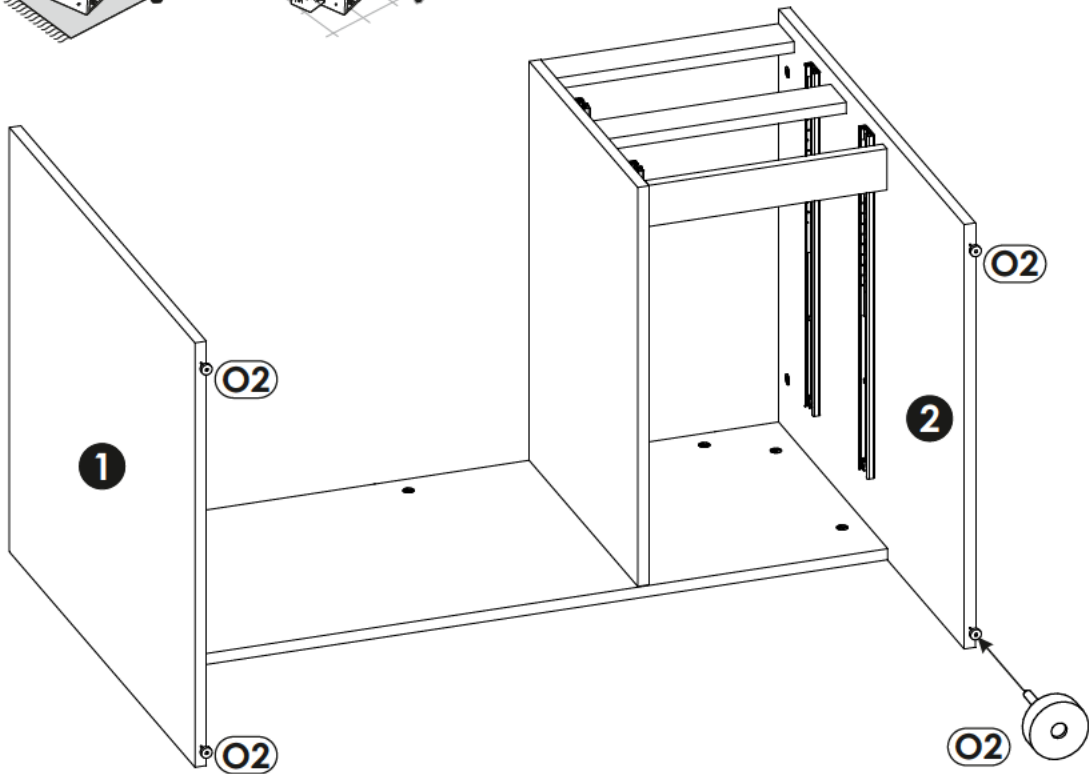
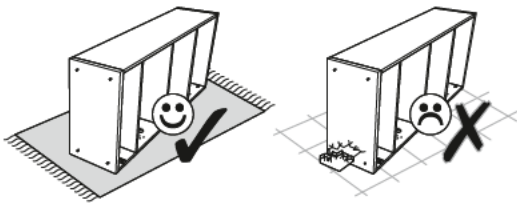
8 ▶



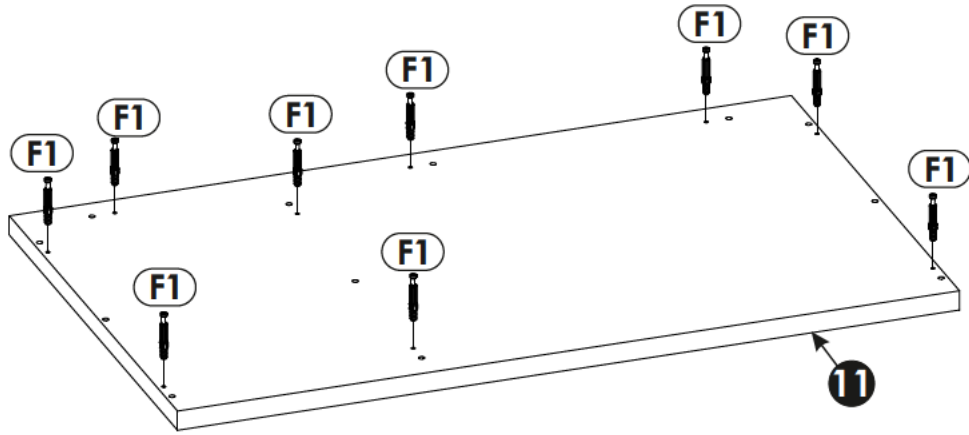
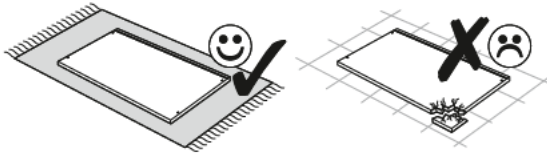
9 ▶



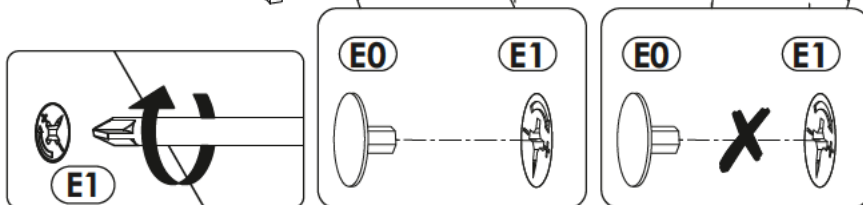
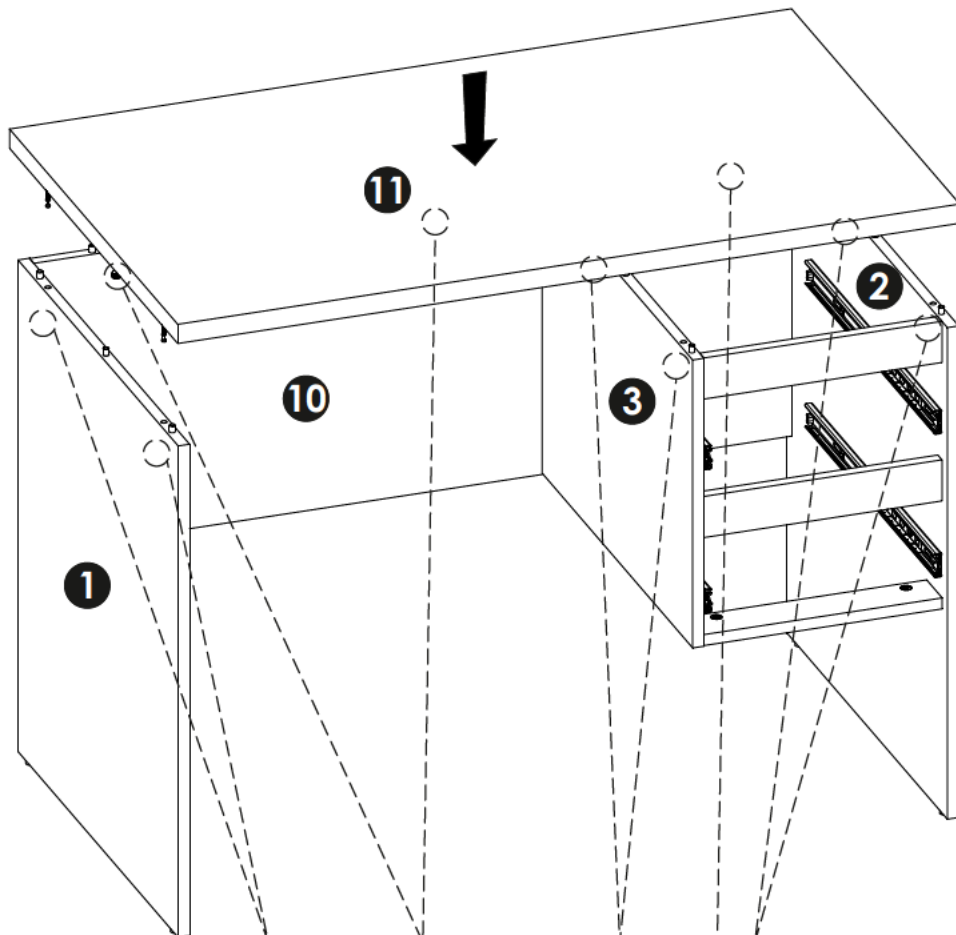
10 ▶



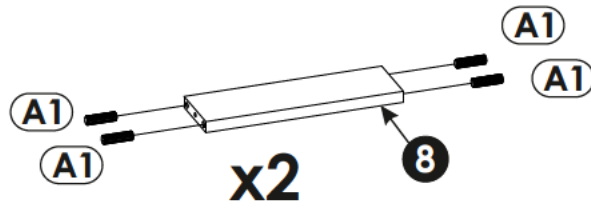
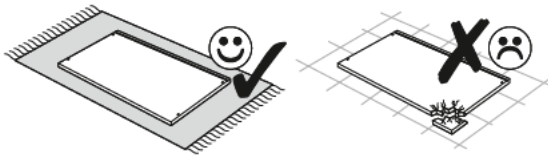
11▶



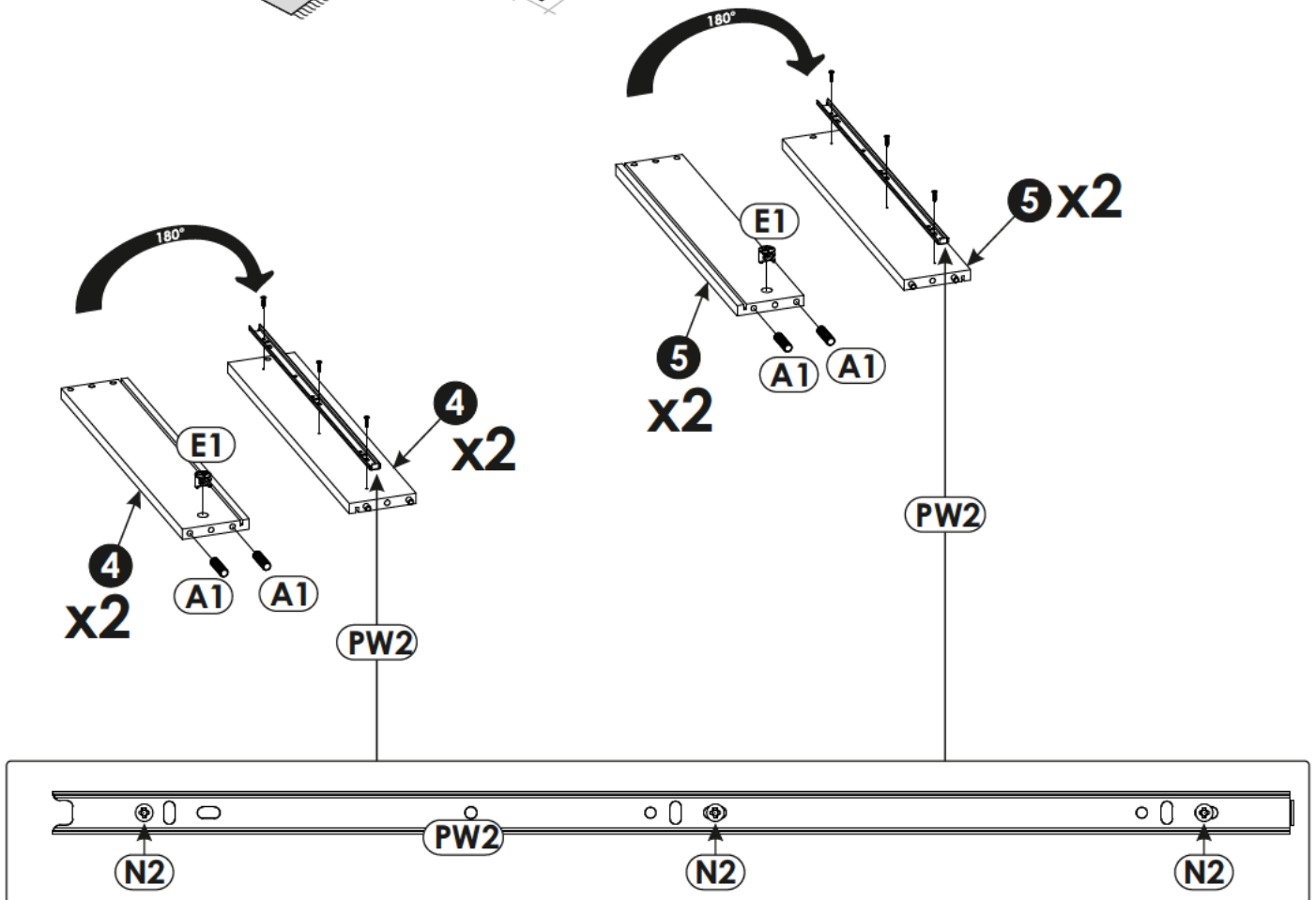
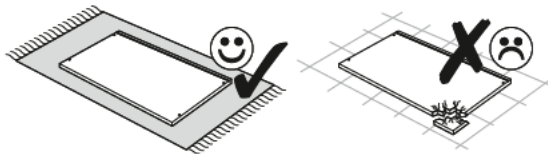
12▶

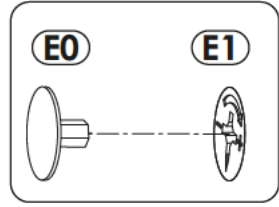
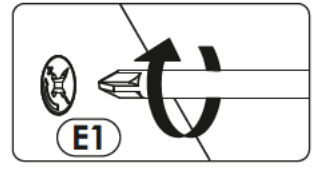
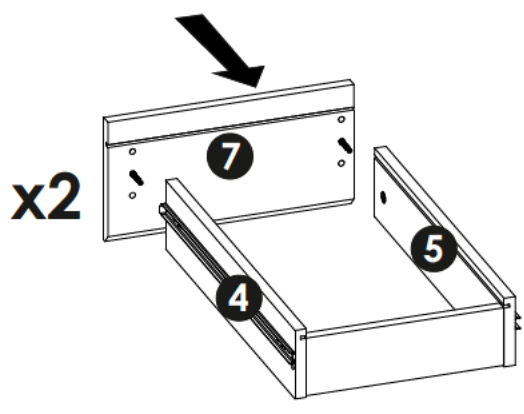
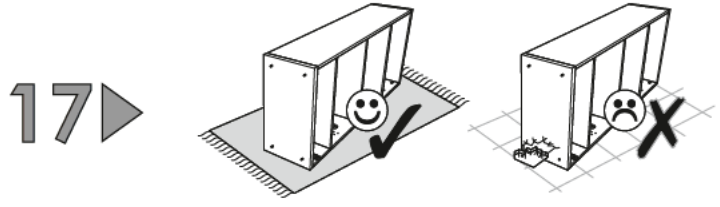
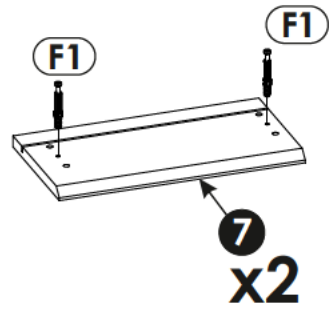
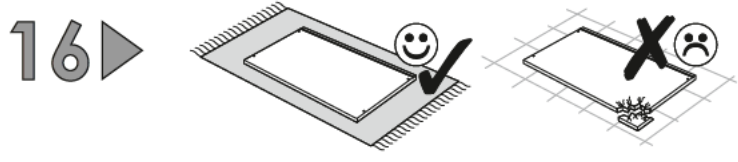
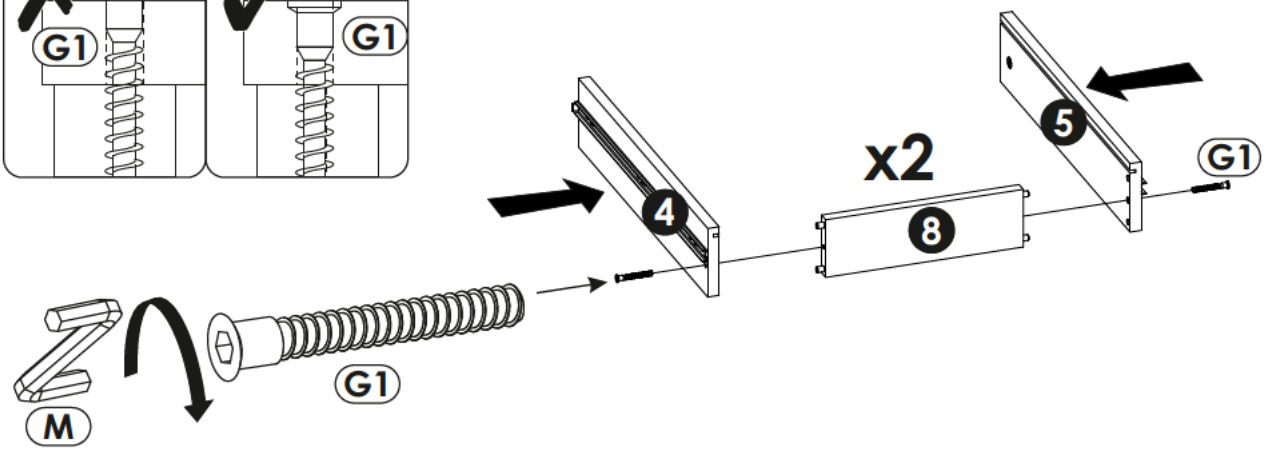
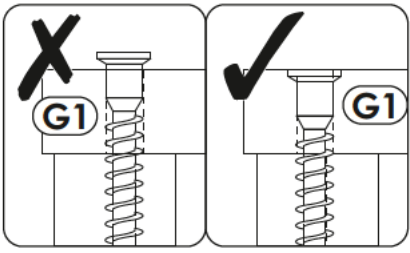
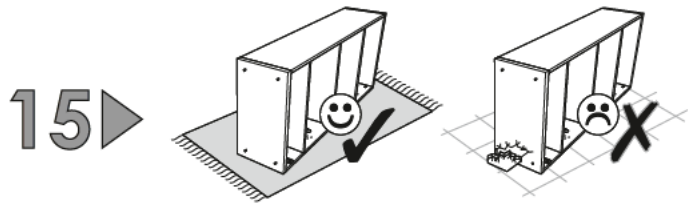


13▶

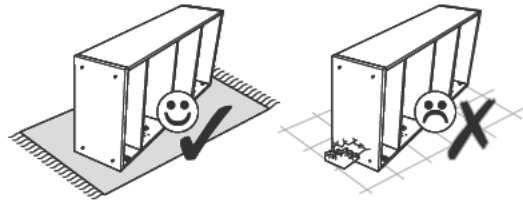
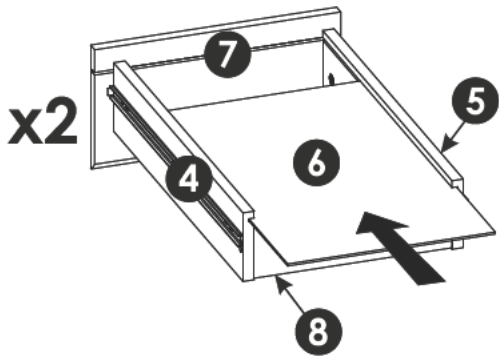


14▶

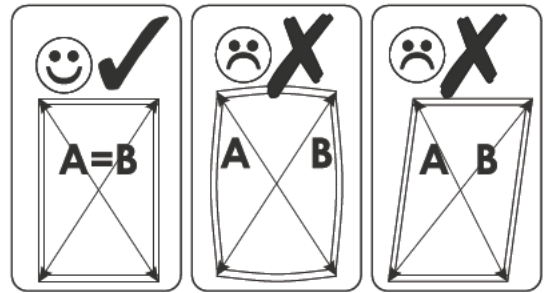
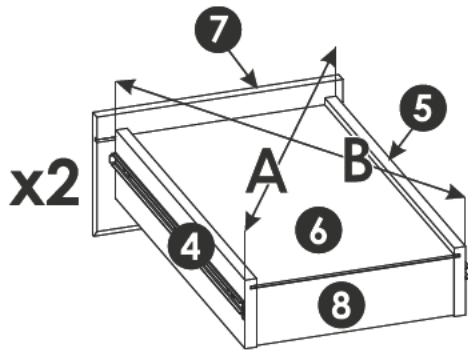
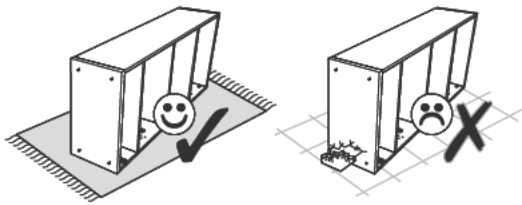




18▶

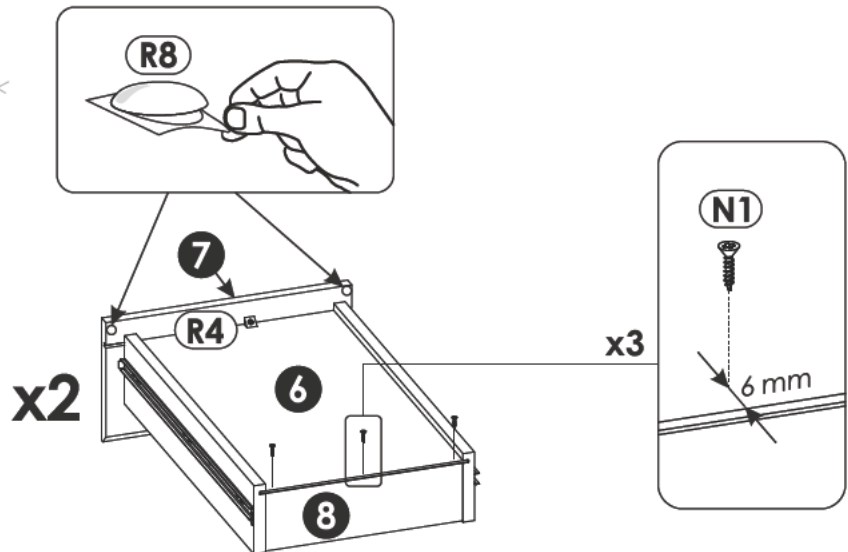
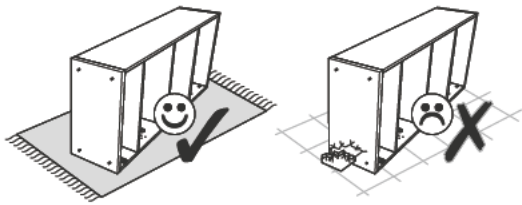


19▶

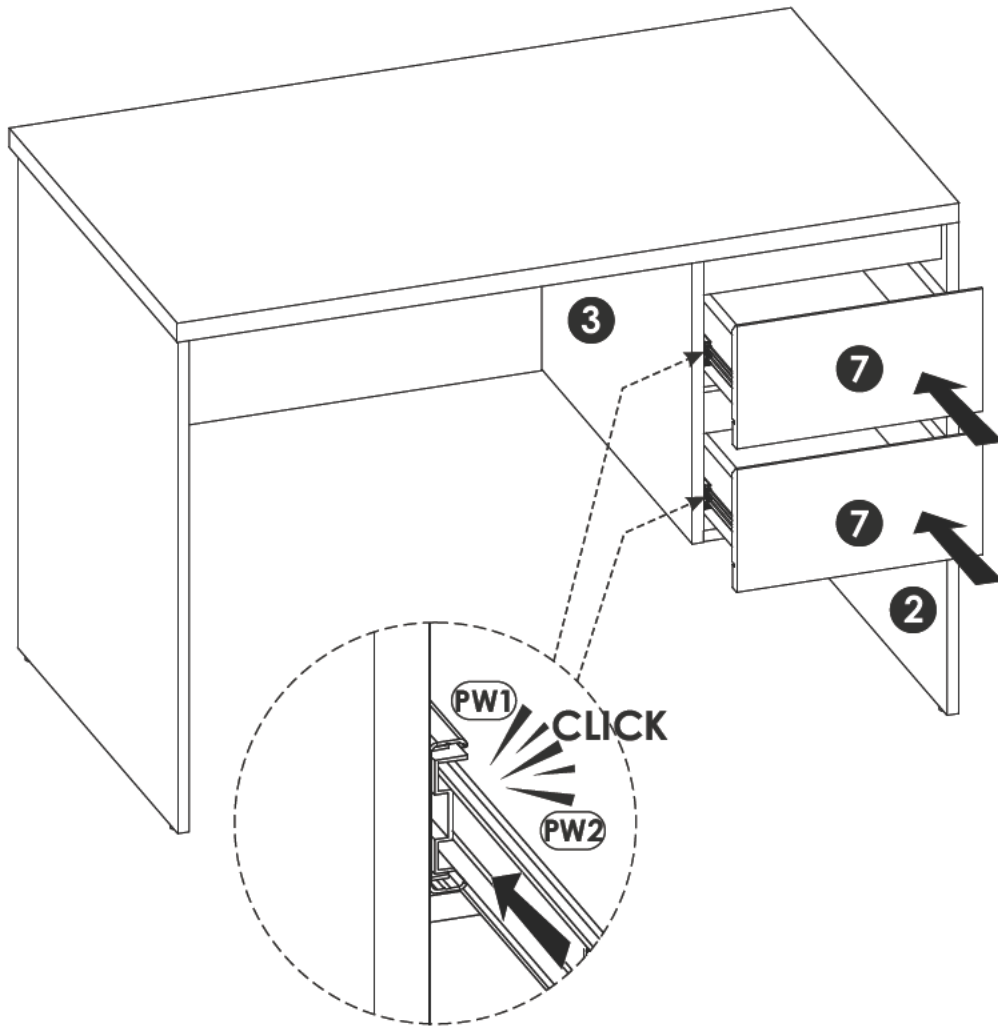


**A=B**

20▶



21▶



22▶

