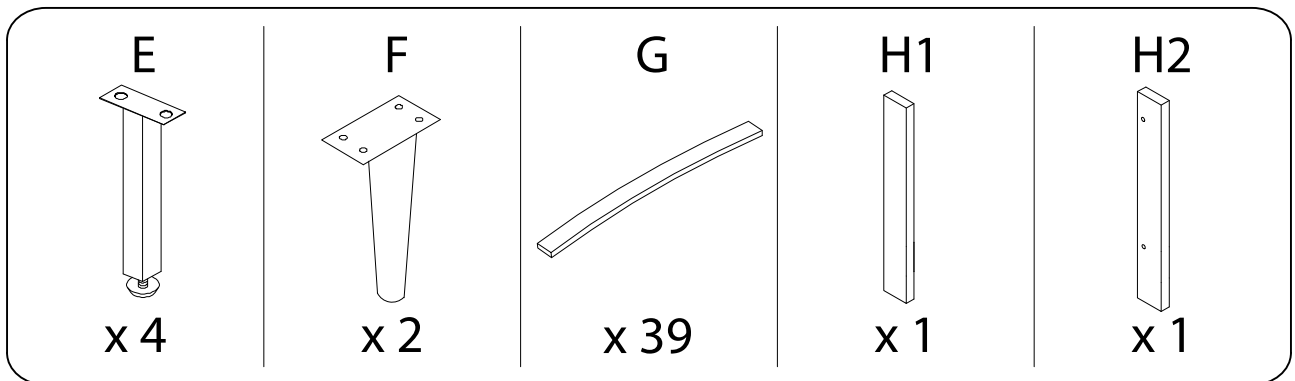
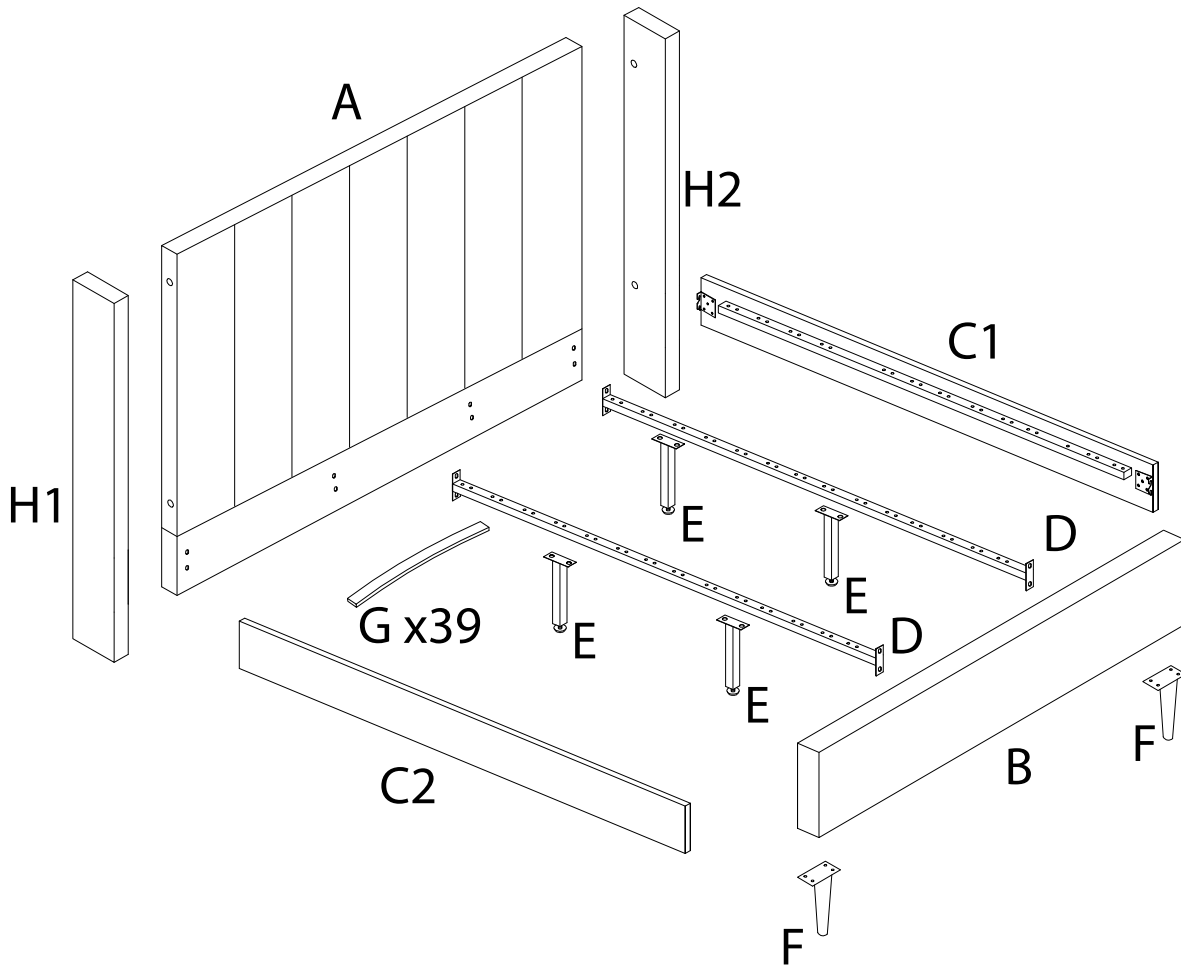
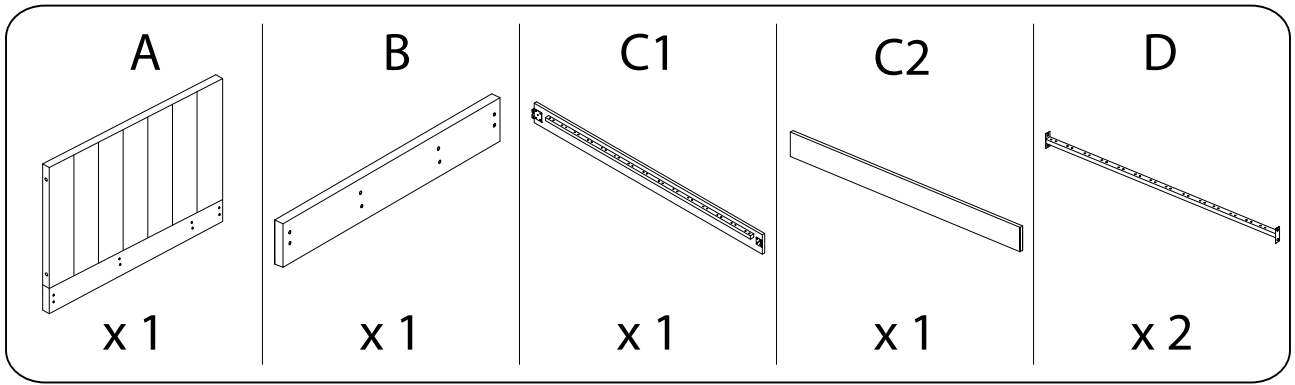
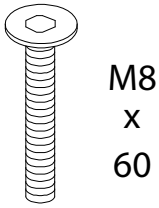


Assembly instructions for step 1/6:

- Tools:** A circular icon shows a screwdriver and a hex key. A crossed-out power drill icon indicates that a power drill should not be used.
- Warning:** A triangle with an exclamation mark indicates a warning.
- Time:** A clock icon indicates that this step takes 45 minutes.
- Personnel:** A person icon and the number '2' indicate that two people are required for this step.



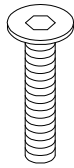
I



M8
x
60

x 4

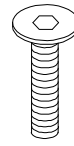
J



M8
x
40

x 16

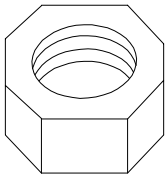
K



M8
x
30

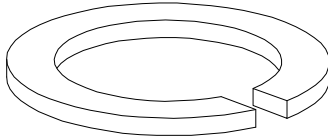
x 8

L



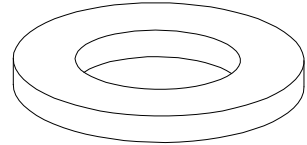
x 8

M



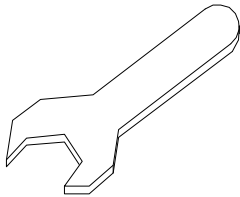
x 28

N



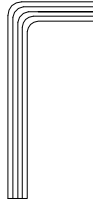
x 28

O



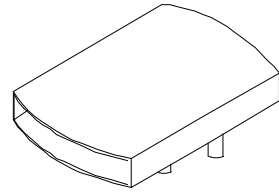
x 1

P



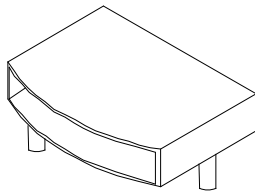
x 1

Q



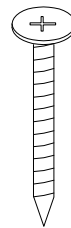
x 26

R



x 26

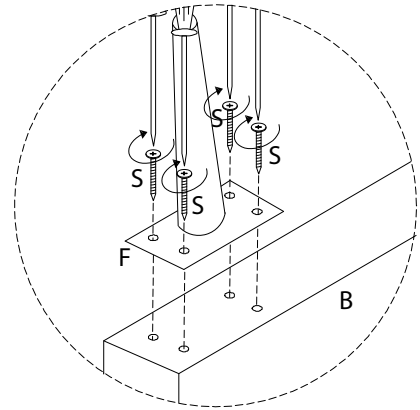
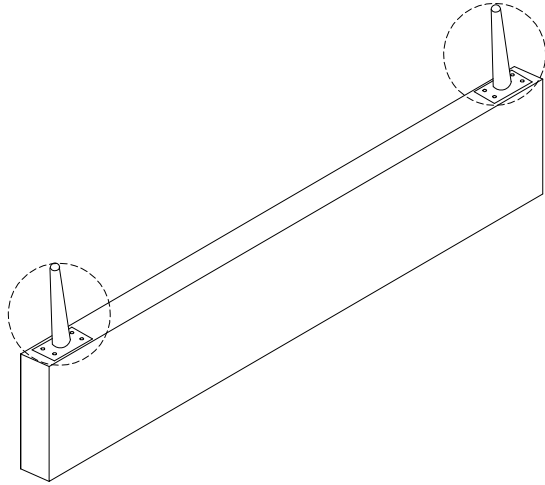
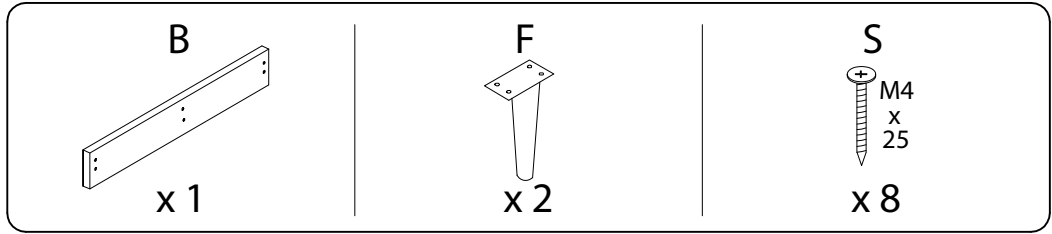
S



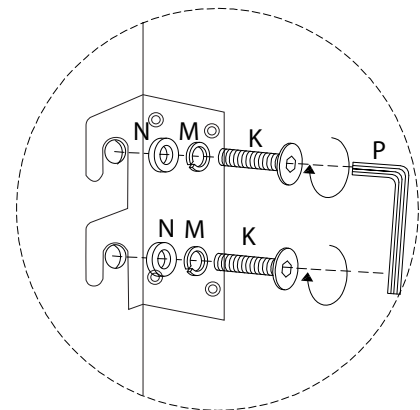
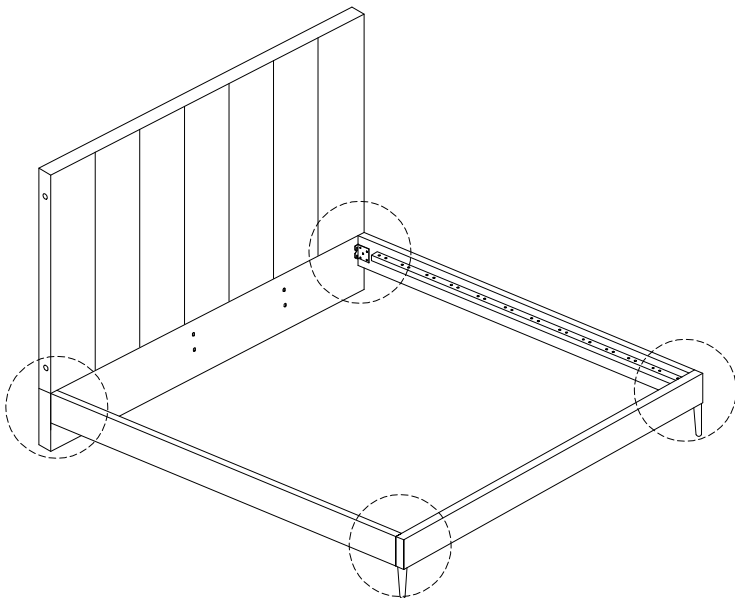
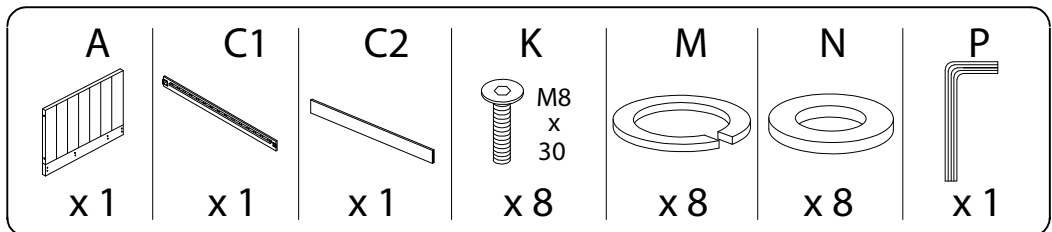
M4
x
25

x 8

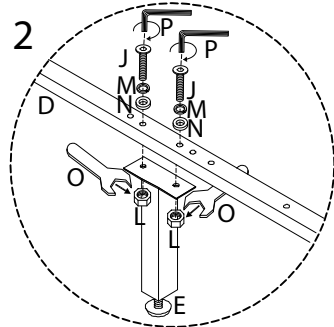
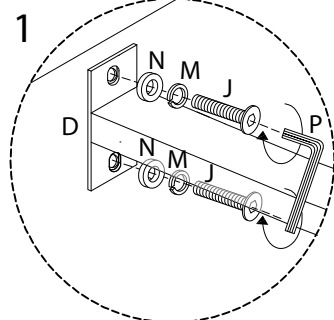
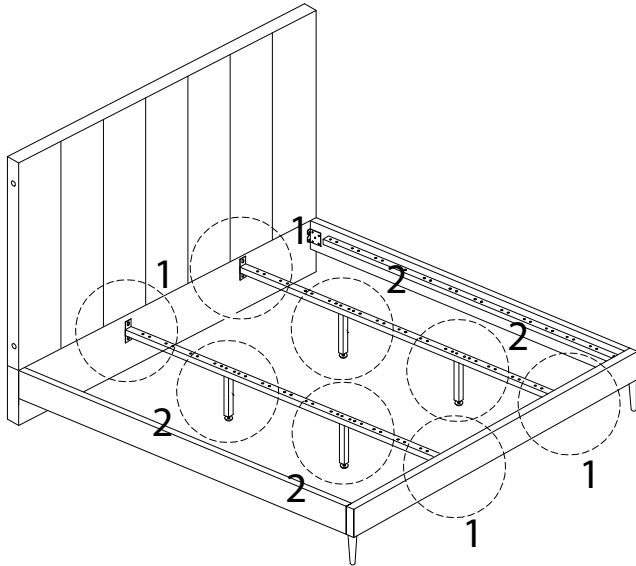
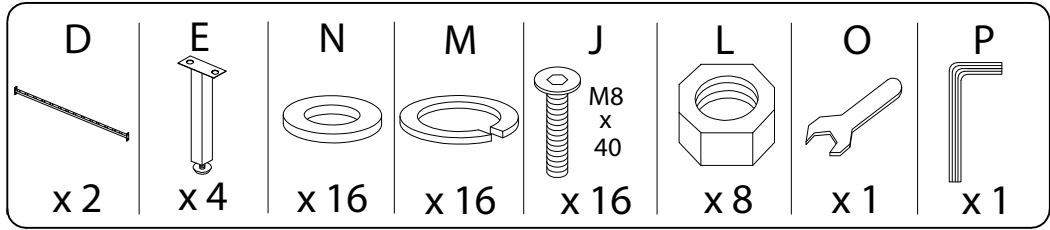
1



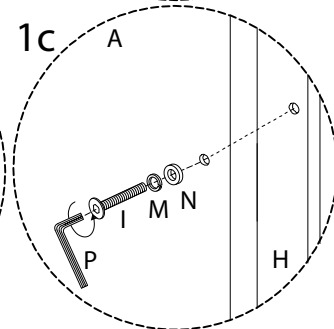
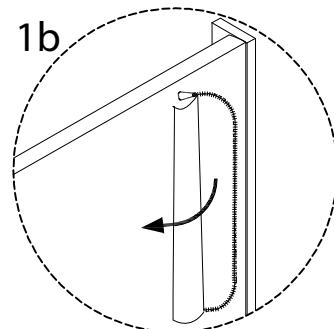
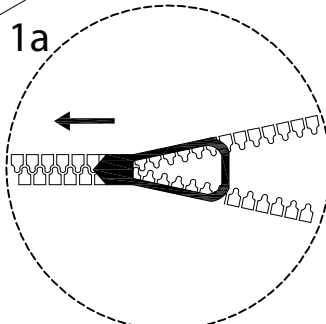
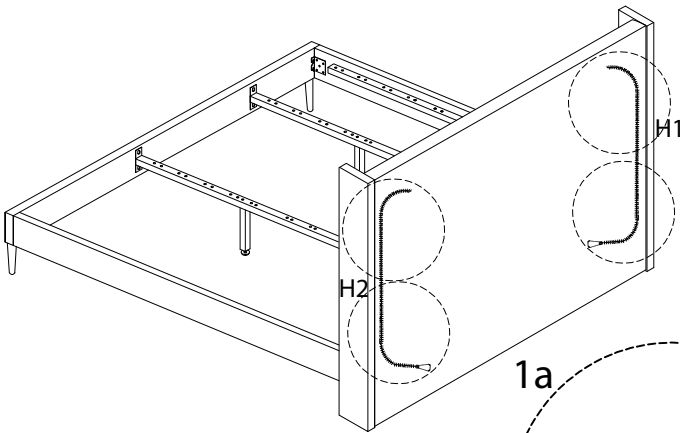
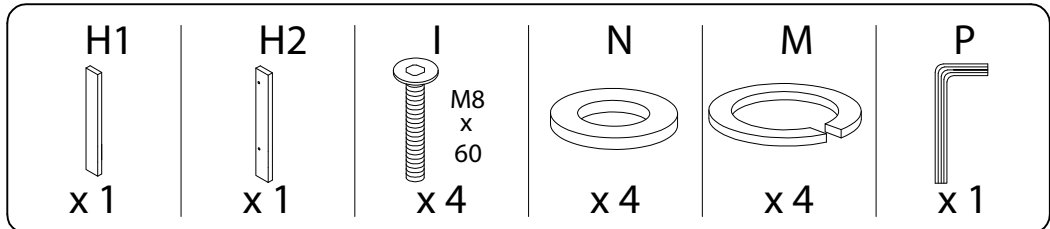
2



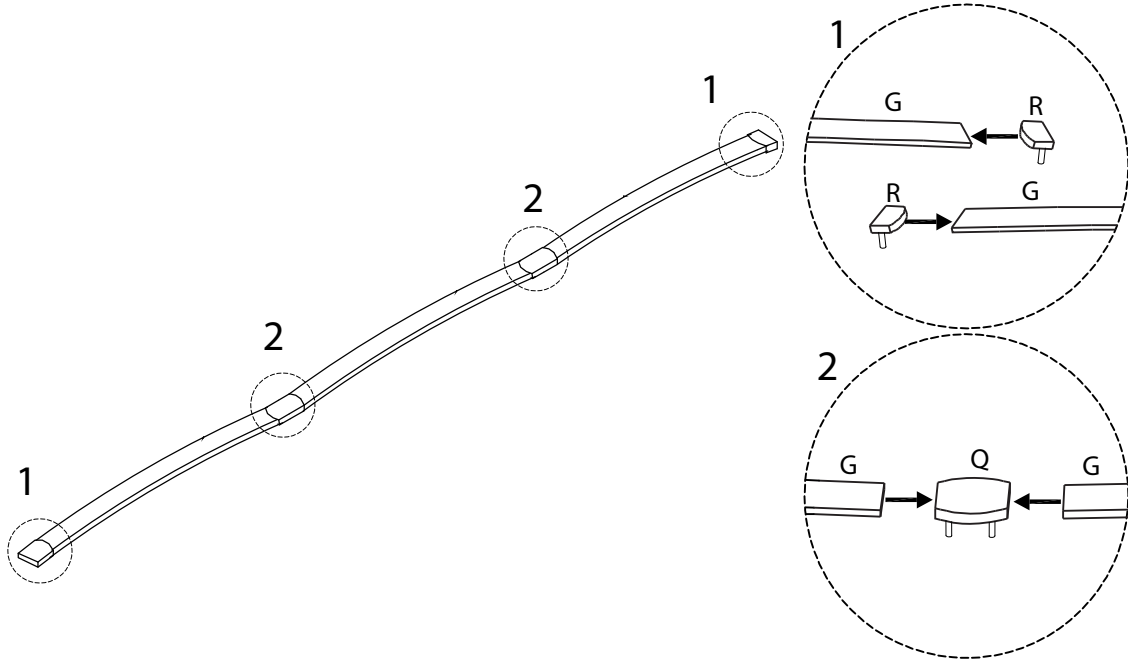
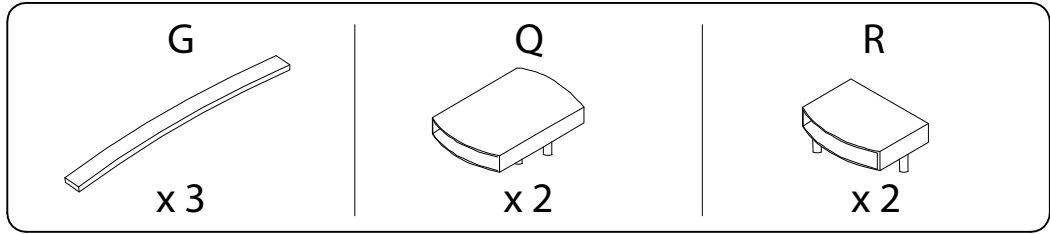
3



4



5 x13



6 x13

